

DISK HARROWS

GVMF TR-3CH - 20/22/24D

Code: 0501091647
Series: S-0699
Revision: 00
Revision Date: FEVEREIRO/2023

PARTS CATALOGUE

CIVEMASA




PRODUCTS

| Code | Description |
|-------------|--|
| 0120040029 | GVMF 20TR-3CH 32X9,0 DR 6440892 S-0699 |
| 0120040032 | GVMF 20TR-3CH 34X9,0 DR S-0699 |
| 0120040031 | GVMF 22TR 3CH 32X9,0 DR S-0699 |
| 0120040020 | GVMF 22TR 3CH 34X9,0 DR 6440791 S-0699 |
| 0120040027 | GVMF 24TR 3CH 32X9,0 DR 6440883 S-0699 |
| 0120040026 | GVMF 24TR 3CH 34X9DR 6440874 S-0699 |

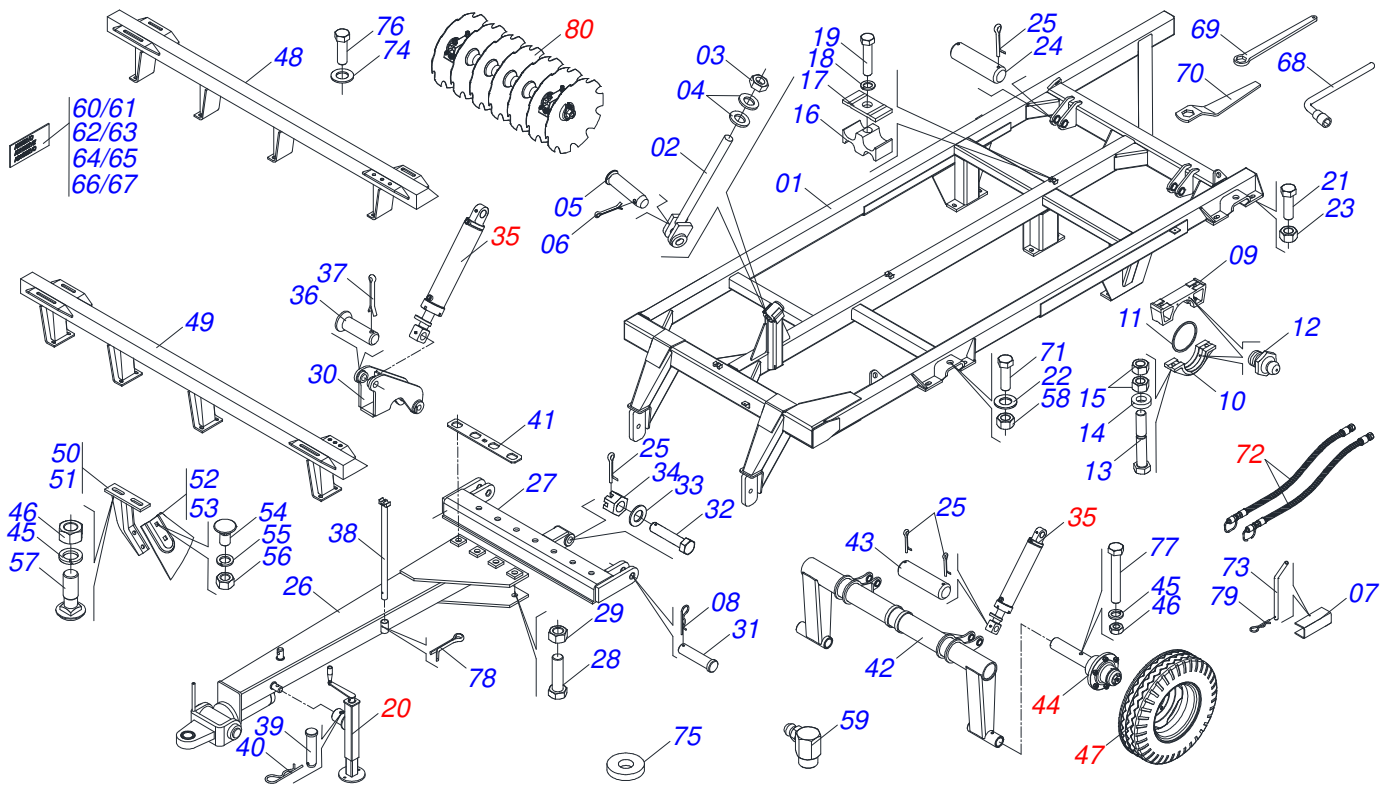
ATTENTION: IMPORTANT

CIVEMASA reserves the right to improve and/or modify the technical features of its products, without obligation to do the same with those products already sold and without prior knowledge of the dealer or the customer. The photos are only illustrative.



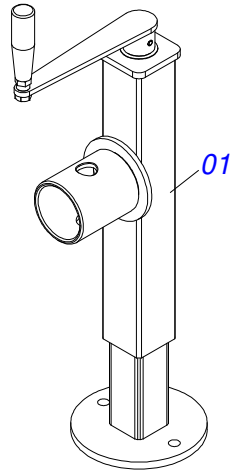
INDEX

| | | | |
|------------|--|-------|----|
| 0909091840 | 20/22/24D - ASSY FRAME | | 1 |
| 0511048088 | DRAWBAR JACK | | 2 |
| 0501048626 | HYDRAULIC CYLINDER 53,98X101,6X730X400 - (UNTIL 08/2021) | | 3 |
| 0531041451 | HYDR. CYLINDER 53,98X101,6X728X400 - (FROM 09/2021) | | 4 |
| 0501055850 | CARRYNG WHEEL HUB ASSEMBLY ASSY | | 5 |
| 0503061868 | 400/60 WHEEL WITH TIRE | | 6 |
| 0909091997 | HYDRAULIC CIRCUIT - 20/22/24D | | 7 |
| 0501053834 | MALE QUICK COUPLER | | 8 |
| 0909091842 | 20/22/24D - DISC GANG SET | | 9 |
| 0501048557 | BEARING OIL | | 10 |

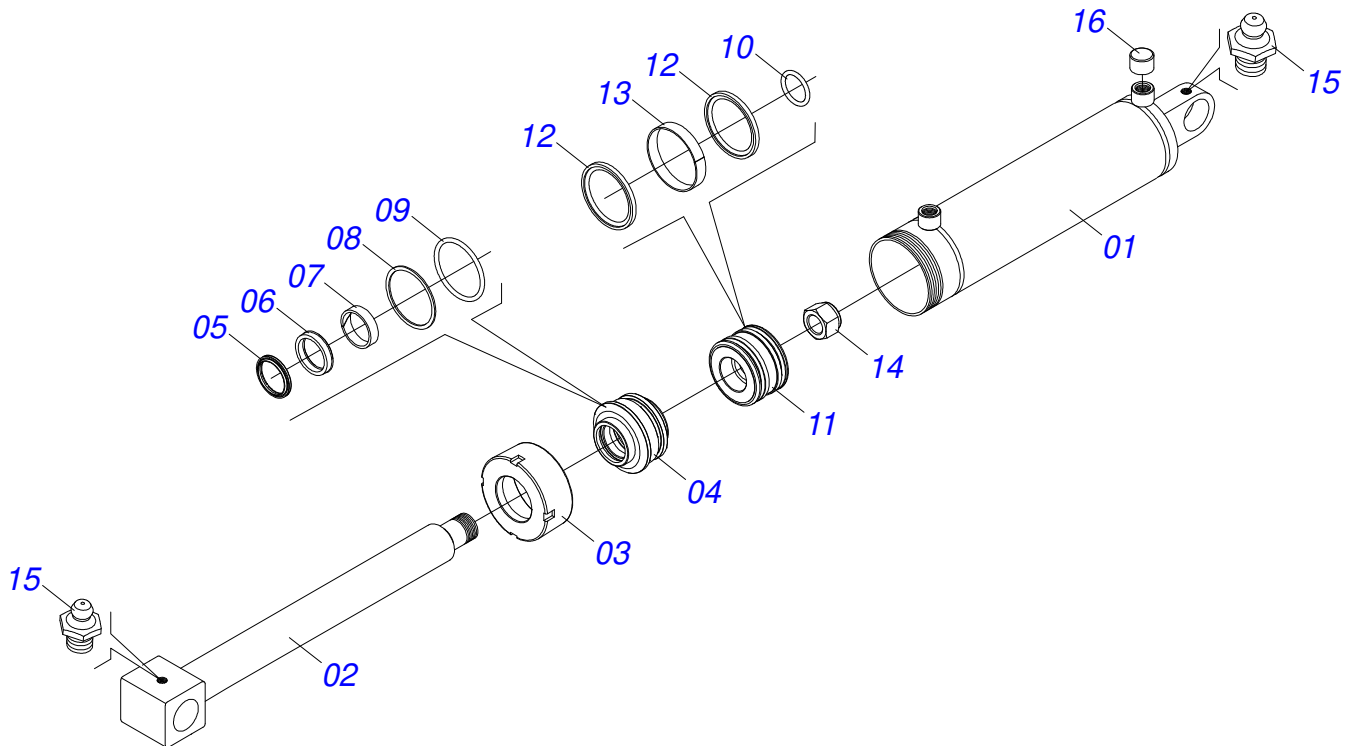


| Item | Code | Description | See page | 20 | 22 | 24 |
|------|------------|---------------------------------|----------|----|----|----|
| 01 | 0521063303 | FRAME | | 01 | 01 | 01 |
| 02 | 0511068911 | REAR AXLE ASSY | | 01 | 01 | 01 |
| 03 | 0501810333 | 1.3/4 NUT | | 01 | 01 | 01 |
| 04 | 0521014368 | FLAT WASHER | | 02 | 02 | 02 |
| 05 | 0551012480 | PIN | | 01 | 01 | 01 |
| 06 | 0503012231 | 1/4" X 3" COTTERPIN | | 01 | 01 | 01 |
| 07 | 0591018207 | LOCK FOR TRANSPORT | | 02 | 02 | 02 |
| 08 | 0503031479 | STAPLE | | 02 | 02 | 02 |
| 09 | 0502011725 | UPPER BEARING SEMI | | 03 | 03 | 03 |
| 10 | 0502011724 | INF BEARING SEMI | | 03 | 03 | 03 |
| 11 | 0503012222 | FELT RING | | 06 | 06 | 06 |
| 12 | 0503010002 | 1800 GREASE FITTING | | 06 | 06 | 06 |
| 13 | 0511816281 | 3/4" X 8" BOLT | | 06 | 06 | 06 |
| 14 | 0521013710 | WASHER SEMIMAN | | 06 | 06 | 06 |
| 15 | 0503812183 | NUT | | 12 | 12 | 12 |
| 16 | 0502012702 | BODY SUPPORT CLAMP | | 04 | 04 | 04 |
| 17 | 0531011180 | UPPER BODY CLIP | | 03 | 03 | 03 |
| 18 | 0503010180 | 7/16" SPRING WASHER | | 04 | 04 | 04 |
| 19 | 0503012555 | SCREW 7/16 UNC X 2 CS RT G.7 ZN | | 04 | 04 | 04 |
| 20 | 0511048088 | DRAWBAR JACK | 2 | 01 | 01 | 01 |
| 21 | 0503012257 | 1" X 4-1/4" BOLT | | 08 | 08 | 08 |
| 22 | 0521014368 | FLAT WASHER | | 02 | 02 | 02 |
| 23 | 0503012182 | 1" NUT | | 16 | 16 | 16 |
| 24 | 0521013706 | HEADLESS PIN | | 02 | 02 | 02 |
| 25 | 0503010010 | 1/4" X 2.1/2" COTTERPIN | | 09 | 09 | 09 |
| 26 | 0511068296 | DRAWBAR | | 01 | 01 | 01 |
| 27 | 0511068298 | DRAWBAR ASSY | | 01 | 01 | 01 |
| 28 | 0503012174 | 1-1/4" X 8-1/4" BOLT | | 04 | 04 | 04 |
| 29 | 0503012181 | 1.1/4" NUT | | 04 | 04 | 04 |
| 30 | 0511068913 | DRAWBAR PIVOT | | 01 | 01 | 01 |
| 31 | 0521013738 | PIN WITH HEAD | | 02 | 02 | 02 |

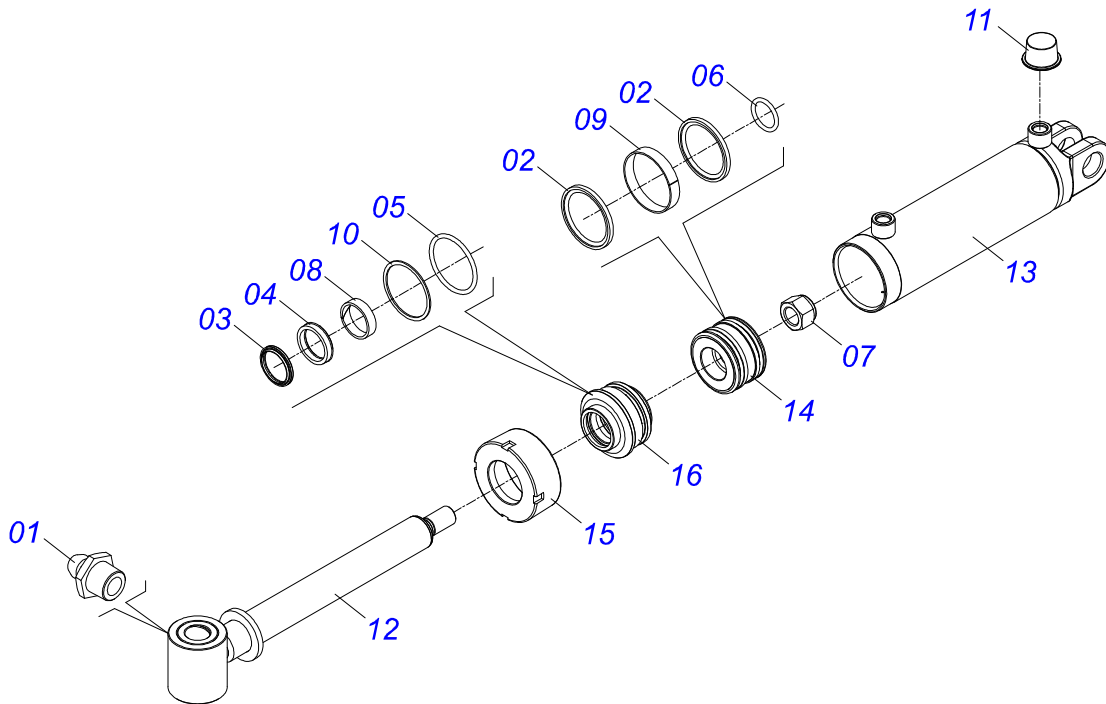
| Item | Code | Description | See page | 20 | 22 | 24 |
|------|------------|---|----------|----|----|----|
| 32 | 0521013739 | BOLT HARNESS | | 01 | 01 | 01 |
| 33 | 0501812916 | FLAT WASHER | | 01 | 01 | 01 |
| 34 | 0502011592 | CASTLE NUT | | 01 | 01 | 01 |
| 35 | 0501048626 | HYDRAULIC CYLINDER 53,98X101,6X730X400 - 3 (UNTIL 08/2021) | | 03 | 03 | 03 |
| 35. | 0531041451 | HYDR. CYLINDER 53,98X101,6X728X400 - (FROM 09/2021) | 4 | 03 | 03 | 03 |
| 36 | 0551012506 | PIN | | 01 | 01 | 01 |
| 37 | 0503012231 | 1/4" X 3" COTTERPIN | | 01 | 01 | 01 |
| 38 | 0511060205 | SUPPORT HOSE CNS 20104N | | 01 | 01 | 01 |
| 39 | 0561014251 | COUPLING SHAFT | | 01 | 01 | 01 |
| 40 | 0503030012 | HITCH PIN CLIP | | 01 | 01 | 01 |
| 41 | 0521013774 | GVMF LOCK | | 01 | 01 | 01 |
| 42 | 0511068910 | WHEEL AXLE | | 01 | 01 | 01 |
| 43 | 0591019956 | 44,45 X 168 HEADLESS PIN | | 02 | 02 | 02 |
| 44 | 0501055850 | CARRYNG WHEEL HUB ASSEMBLY ASSY | 5 | 02 | 02 | 02 |
| 45 | 0503010023 | 3/4" SPRING WASHER | | 26 | 26 | 26 |
| 46 | 0503012183 | SNC 3/4" ZIN 1K03097 NUT | | 26 | 26 | 26 |
| 47 | 0503061868 | 400/60 WHEEL WITH TIRE | 6 | 02 | 02 | 02 |
| 48 | 0511060634 | REAR FRAME | | 01 | 01 | 01 |
| 49 | 0511060635 | FRONT FRAME | | 01 | 01 | 01 |
| 50 | 0511060138 | FRONT CLEANER SUPPORT | | 10 | 11 | 12 |
| 51 | 0511060139 | REAR CLEANER SUPPORT | | 10 | 11 | 12 |
| 52 | 0521013678 | FRONT CLEANER | | 10 | 11 | 12 |
| 53 | 0521013679 | REAR CLEANER | | 10 | 11 | 12 |
| 54 | 0503012195 | 5/8" NUT | | 20 | 22 | 24 |
| 55 | 0503010027 | 5/8 SPRING WASHER | | 20 | 22 | 24 |
| 56 | 0503010013 | 5/8 NUT | | 20 | 22 | 24 |
| 57 | 0503012180 | FRENCH 3/4" X 2 BOLT | | 20 | 22 | 24 |
| 58 | 0502011692 | 3442029 NUT | | 02 | 02 | 02 |
| 59 | 0503010003 | 1845 GREASE FITTING | | 06 | 06 | 06 |
| 60 | 0503031428 | READ MANUAL DECAL | | 01 | 01 | 01 |
| 61 | 0503033647 | APPROVED BADGE | | 01 | 01 | 01 |
| 62 | 0503034078 | LIFTING POINTS DECAL | | 03 | 03 | 03 |
| 63 | 0503033038 | DANGER SIGN | | 01 | 01 | 01 |
| 64 | 0503031738 | ADHESIVE LABEL | | 01 | 01 | 01 |
| 65 | 0503031739 | ADHESIVE LABEL | | 01 | 01 | 01 |
| 66 | 0503033434 | ADHESIVE | | 02 | 02 | 02 |
| 67 | 0503034355 | EMBLEM | | 02 | 02 | 02 |
| 68 | 0503018438 | 1" WRENCH CYLINDRICAL HEX | | 01 | 01 | 01 |
| 69 | 0511064004 | WRENCH | | 01 | 01 | 01 |
| 70 | 0501011431 | 1-3/4" GANG BOLT WRENCH | | 02 | 02 | 02 |
| 71 | 0503019212 | BOLT | | 02 | 02 | 02 |
| 72 | 0909091997 | HYDRAULIC CIRCUIT - 20/22/24D | 7 | 01 | 01 | 01 |
| 73 | 0541016844 | FIXER LOCK | | 03 | 03 | 03 |
| 74 | 0501012140 | FLAT WASHER | | 01 | 01 | 01 |
| 75 | 0503013171 | SEALING | | 01 | 01 | 01 |
| 76 | 0501010108 | 5/8" X 1" BOLT | | 01 | 01 | 01 |
| 77 | 0503011084 | 3/4" X 5" BOLT | | 02 | 02 | 02 |
| 78 | 0503012215 | 5/16" X 2-1/2" COTTERPIN | | 01 | 01 | 01 |
| 79 | 0503030285 | HITCH PIN CLIP | | 03 | 03 | 03 |
| 80 | 0909091842 | 20/22/24D - DISC GANG SET | 9 | 01 | 01 | 01 |



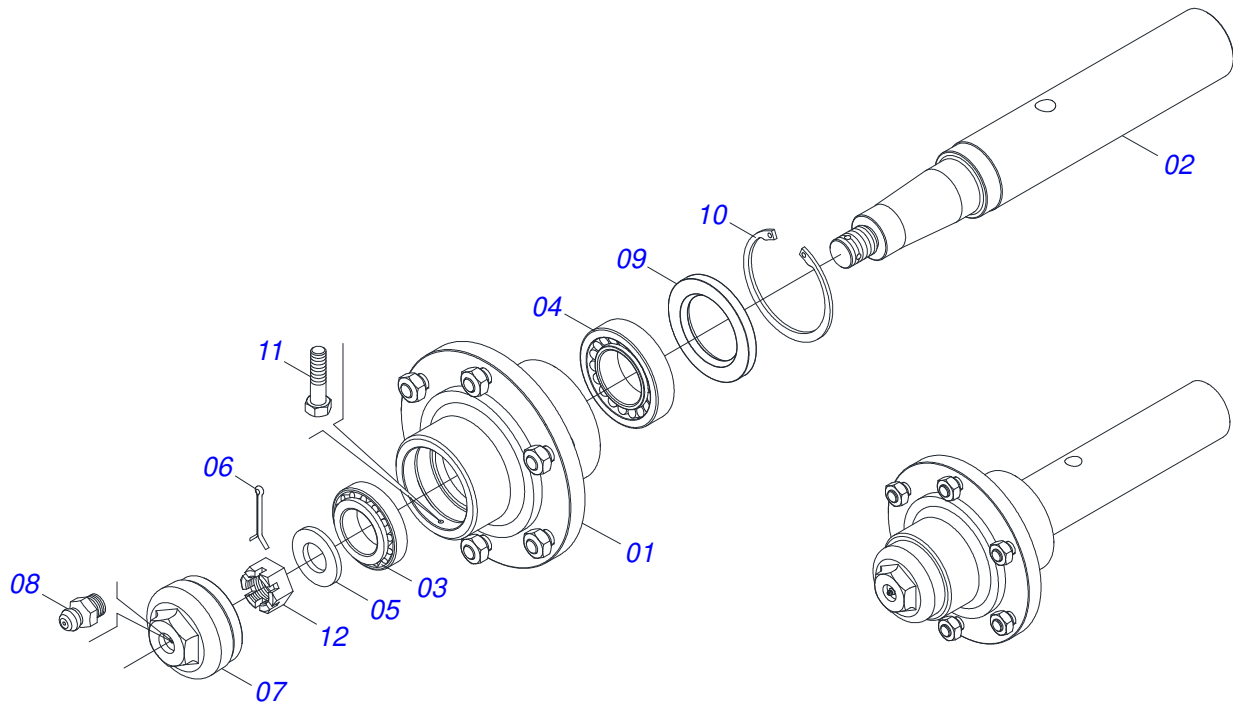
| Item | Code | Description | See page | QT |
|------|------------|--------------|----------|----|
| 01 | 0503062227 | DRAWBAR JACK | | 01 |



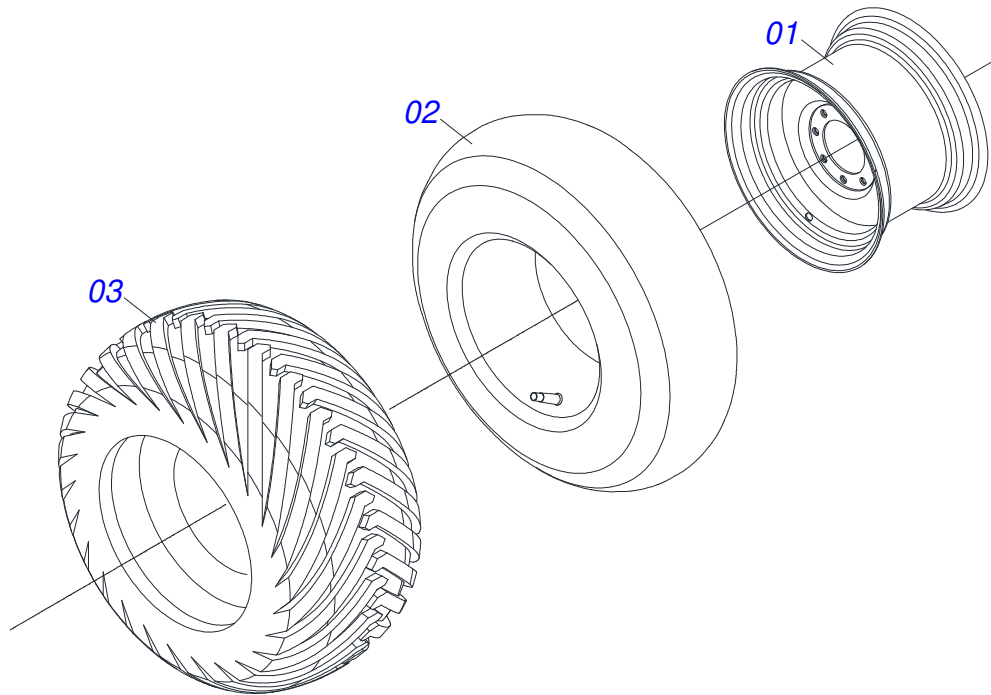
| Item | Code | Description | See page | QT |
|------|------------|---------------------------|----------|----|
| 01 | 0511062253 | CYLINDER CASE | | 01 |
| 02 | 0511062249 | 53,98 X 609 TURNBUCKLE | | 01 |
| 03 | 0502010017 | 4" HEAD | | 01 |
| 04 | 0502011250 | RING OF SUPPORT | | 01 |
| 05 | 0503010319 | D-2125 SCRAPER | | 01 |
| 06 | 0503010314 | GASKET | | 01 |
| 07 | 0503010973 | W2-2500-500 PK O'RING G.E | | 01 |
| 08 | 0503011061 | 8-342 BACK-UP RING | | 01 |
| 09 | 0503010338 | 2-342 N 3006-9B O'RING | | 01 |
| 10 | 0503010345 | 2-218 N 3006-9B O'RING | | 01 |
| 11 | 0502011969 | 53,98 X 101,60 PISTON | | 01 |
| 12 | 0503010043 | PACKING 3750-3250 | | 02 |
| 13 | 0503010994 | W2-4000-500 PK RING G.E | | 01 |
| 14 | 0503010817 | 1.1/4" SELF LOCKING NUT | | 01 |
| 15 | 0503010002 | 1800 GREASE FITTING | | 02 |
| 16 | 0503030384 | CON PLUG N-001 | | 02 |



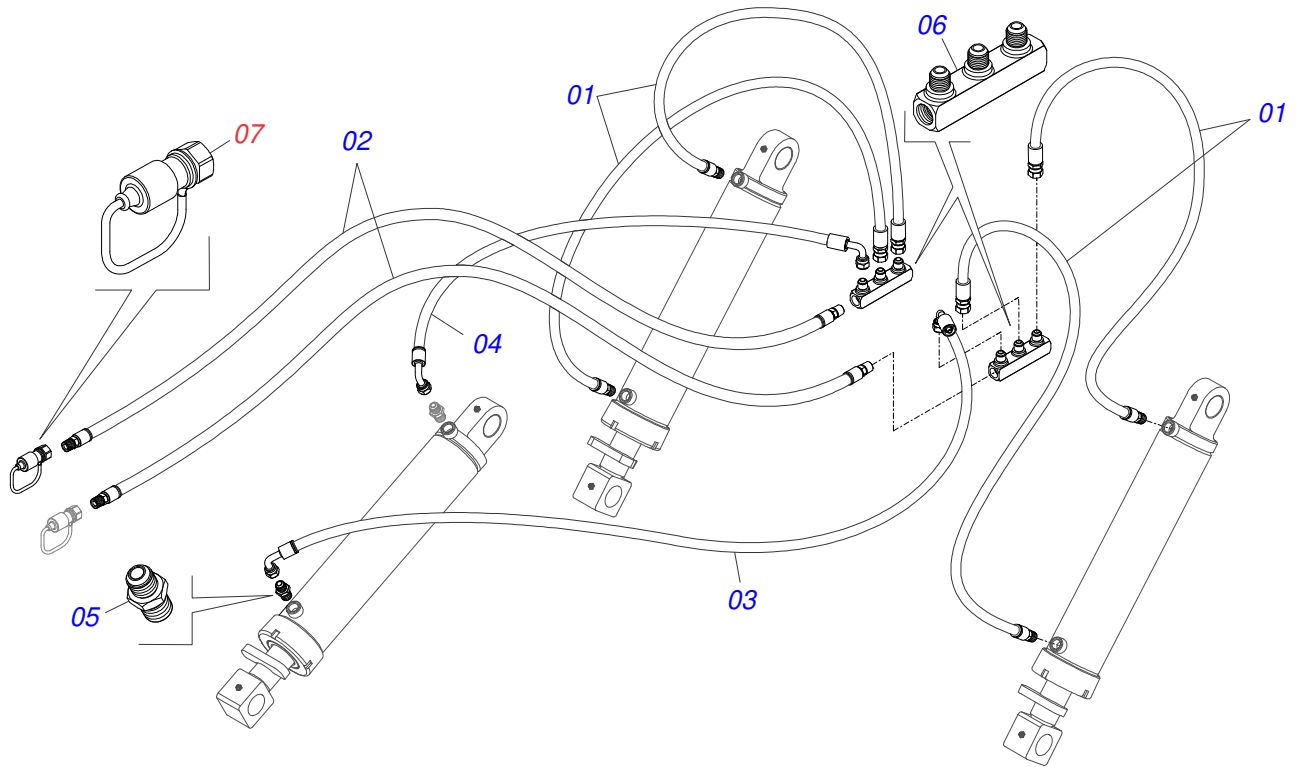
| Item | Code | Description | See page | QT |
|------|------------|---------------------------|----------|----|
| 01 | 0503010002 | 1800 GREASE FITTING | | 02 |
| 02 | 0503010043 | PACKING 3750-3250 | | 02 |
| 03 | 0503010314 | GASKET | | 01 |
| 04 | 0503010319 | D-2125 SCRAPER | | 01 |
| 05 | 0503010338 | 2-342 N 3006-9B O'RING | | 01 |
| 06 | 0503010345 | 2-218 N 3006-9B O'RING | | 01 |
| 07 | 0503010817 | 1.1/4" SELF LOCKING NUT | | 01 |
| 08 | 0503010973 | W2-2500-500 PK O'RING G.E | | 01 |
| 09 | 0503010994 | W2-4000-500 PK RING G.E | | 01 |
| 10 | 0503011061 | 8-342 BACK-UP RING | | 01 |
| 11 | 0503030384 | CON PLUG N-001 | | 02 |
| 12 | 0531062835 | EXTENDER 53.98 X 609 | | 01 |
| 13 | 0511062253 | CYLINDER CASE | | 01 |
| 14 | 0502011969 | 53,98 X 101,60 PISTON | | 01 |
| 15 | 0502010017 | 4" HEAD | | 01 |
| 16 | 0502011250 | RING OF SUPPORT | | 01 |



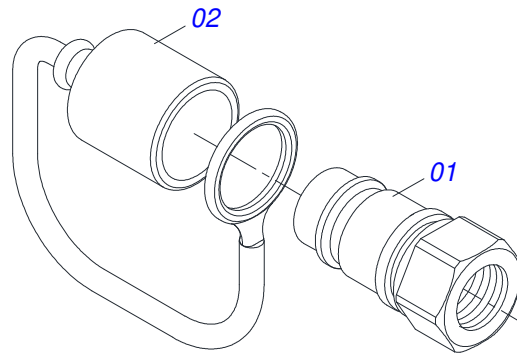
| Item | Code | Description | See page | QT |
|------|------------|-------------------------------|----------|----|
| 01 | 0501110766 | HUB CARRYING WHEELS WITH BOLT | | 01 |
| 02 | 0541014720 | CR 7076205/1/1 AXLE | | 01 |
| 03 | 0503010006 | 32210 ROLLER BEARING | | 01 |
| 04 | 0503010005 | 32212 ROLLER BEARING | | 01 |
| 05 | 0501010086 | FLAT WASHER | | 01 |
| 06 | 0503010067 | 3/16" X 2.1/2" COTTER PIN | | 01 |
| 07 | 0502011647 | COVER | | 01 |
| 08 | 0503010691 | 1/4" GREASE FITTING | | 01 |
| 09 | 0503010009 | RETAINER 00573-B | | 01 |
| 10 | 0503012723 | 502115 RENO RING | | 01 |
| 11 | 0503010298 | 1/4" X 1/2" BOLT | | 01 |
| 12 | 0503012457 | UNF 1.1/4" CASTLE NUT | | 01 |



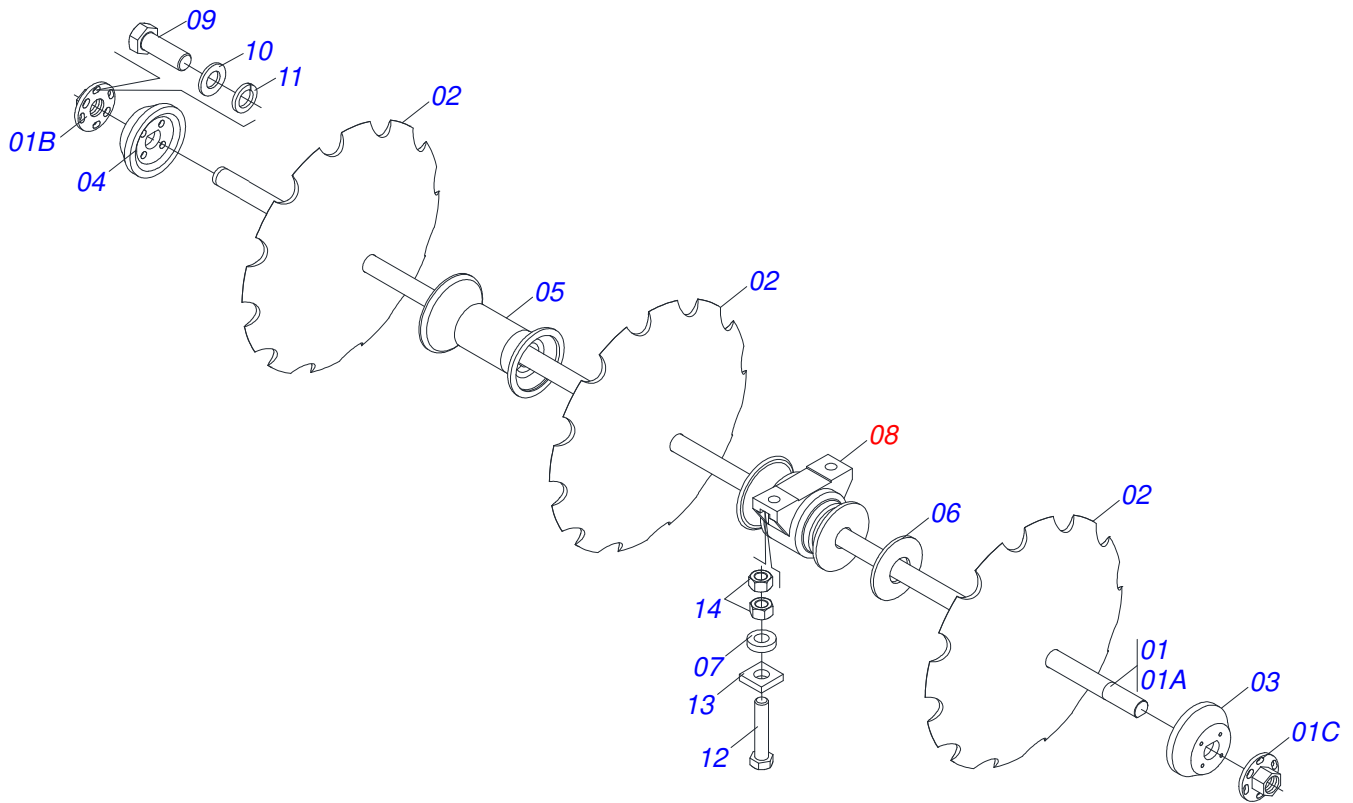
| Item | Code | Description | See page | QT |
|------|------------|--------------------------------|----------|----|
| 01 | 0503012916 | W-13 X 16,5 HOOP WHEEL | | 01 |
| 02 | 0503012112 | 400/60 - 15.5 TR 15 INNER TIRE | | 01 |
| 03 | 0503013119 | CANVAS TIRE | | 01 |



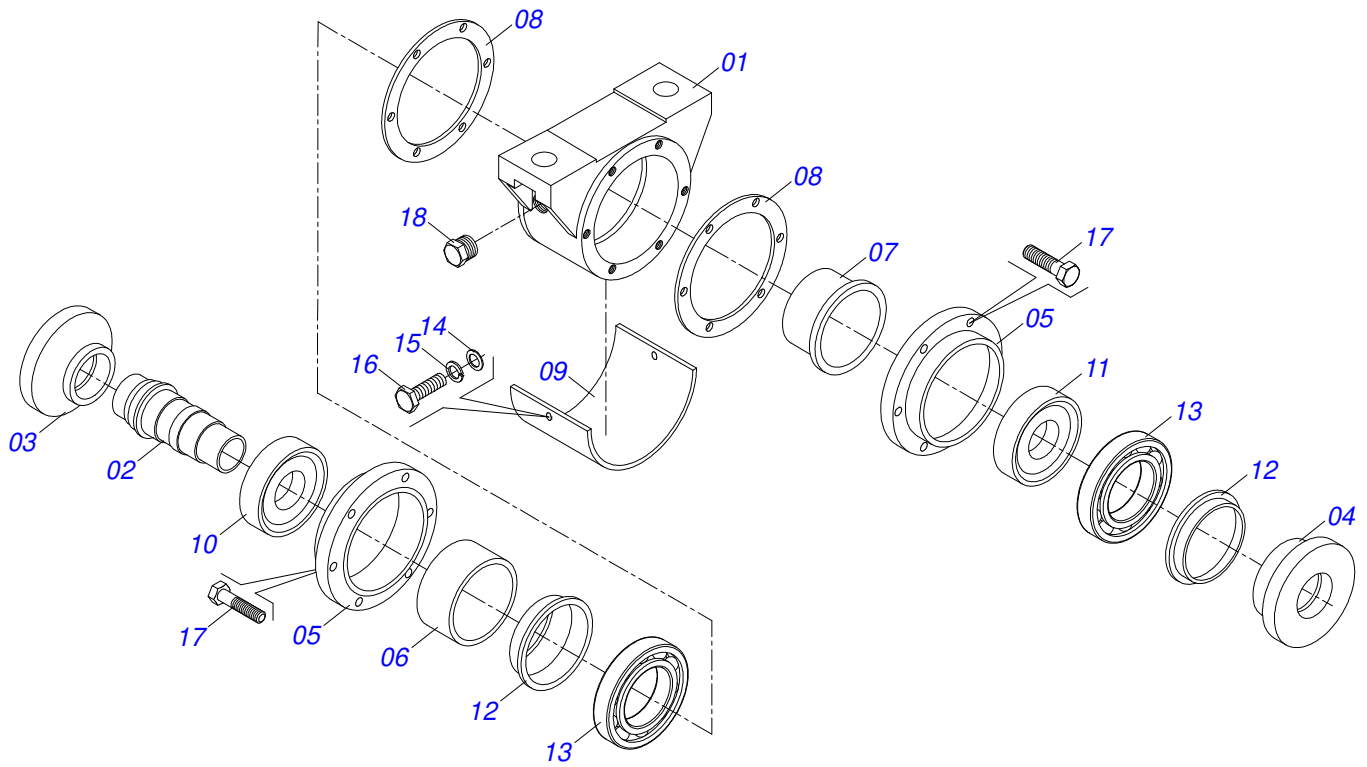
| Item | Code | Description | See page | 20 | 22 | 24 |
|------|------------|------------------------|----------|----|----|----|
| 01 | 0501080801 | 3/8 X 1100 TR-TM HOSE | | 04 | 04 | 04 |
| 02 | 0501080821 | 3/8 X 7700 TM-TM HOSE | | 02 | 02 | 02 |
| 03 | 0501080909 | 3/8 X 4600 TC-TC HOSE | | 01 | 01 | 01 |
| 04 | 0501080751 | 3/8" X 4200 TC-TC HOSE | | 01 | 01 | 01 |
| 05 | 0551012528 | ADAPTER (GND) | | 02 | 02 | 02 |
| 06 | 0511068300 | CONNECTION TERMINAL | | 02 | 02 | 02 |
| 07 | 0501053834 | MALE QUICK COUPLER | 8 | 02 | 02 | 02 |



| Item | Code | Description | See page | QT |
|------|------------|--------------------------------|----------|----|
| 01 | 0503011627 | MALE QUICK COUPLER AGR 1/2 NPT | | 01 |
| 02 | 0503011882 | MALE QUICK COUPLER CAP | | 01 |



| Item | Code | Description | See page | 20 | 22 | 24 |
|------|------------|----------------------------------|----------|----|----|----|
| 01 | 0511050172 | DISC AXLE 2" UNC X 1682 WITH NUT | | 04 | 04 | 04 |
| 01A | 0521014510 | DISC AXLE | | 04 | 04 | 04 |
| 01B | 0502011580 | RIGHT NUT | | 04 | 04 | 04 |
| 01C | 0502011581 | LEFT NUT | | 04 | 04 | 04 |
| 02 | 0602044165 | 32" X 0.3" NOTCHED DISC BLADE | | 20 | 22 | 24 |
| 02. | 0602046009 | 34 X 9 MM NOTCHED DISC | | 20 | 22 | 24 |
| 03 | 0502011577 | OUTER FLANGE | | 04 | 04 | 04 |
| 04 | 0502011578 | INNER FLANGE | | 04 | 04 | 04 |
| 05 | 0502011579 | SPACER | | 08 | 08 | 08 |
| 06 | 0521013670 | CHUCK | | 04 | 04 | 04 |
| 07 | 0521013710 | WASHER SEMIMAN | | 16 | 16 | 16 |
| 08 | 0501048557 | BEARING OIL | 10 | 08 | 08 | 08 |
| 09 | 0503010834 | 1/2 X 1 BOLT | | 16 | 16 | 16 |
| 10 | 0501010937 | 13,50 X 28 X 3,00 FLAT WASHER | | 16 | 16 | 16 |
| 11 | 0503010019 | 1/2" SPRING WASHER | | 16 | 16 | 16 |
| 12 | 0503010901 | 3/4UNC 3.1/2 BOLT | | 16 | 16 | 16 |
| 13 | 0521013709 | REINFORCING WASHER | | 16 | 16 | 16 |
| 14 | 0503012183 | SNC 3/4" ZIN 1K03097 NUT | | 32 | 32 | 32 |



| Item | Code | Description | See page | QT |
|------|------------|-------------------------------|----------|----|
| 01 | 0502011641 | BEARIN BODY | | 01 |
| 02 | 0502011633 | CENTER DEARIN | | 01 |
| 03 | 0502011630 | WASHER CONCAVE | | 01 |
| 04 | 0502011631 | WASHER CONVEX | | 01 |
| 05 | 0502011632 | BEARING COVER | | 02 |
| 06 | 0502011827 | SPACER | | 01 |
| 07 | 0502011629 | SPACER | | 01 |
| 08 | 0503031502 | JOINT BEARIN | | 02 |
| 09 | 0521013855 | PLATE PROTECTION | | 01 |
| 10 | 0502011627 | HOUSING RETAINE | | 01 |
| 11 | 0502011628 | HOUSING RETAINE | | 01 |
| 12 | 0503012824 | RETAINER | | 02 |
| 13 | 0503012285 | 32212 ROLLER BEARING | | 02 |
| 14 | 0501010984 | 10,50 X 27 X 3,00 FLAT WASHER | | 02 |
| 15 | 0503010025 | 3/8 SPRING WASHER | | 02 |
| 16 | 0503011334 | BOLT 3/8 UNC X 3/4 CS G.5 ZN | | 02 |
| 17 | 0503010237 | 3/8" X 1" BOLT | | 12 |
| 18 | 0503010856 | OIL PLUG | | 01 |



civemasa

Technical Publications | Elaboration and Revision
ALESSANDRA PATRICIA KAWAHARA CARRILI

www.civemasa.com.br

