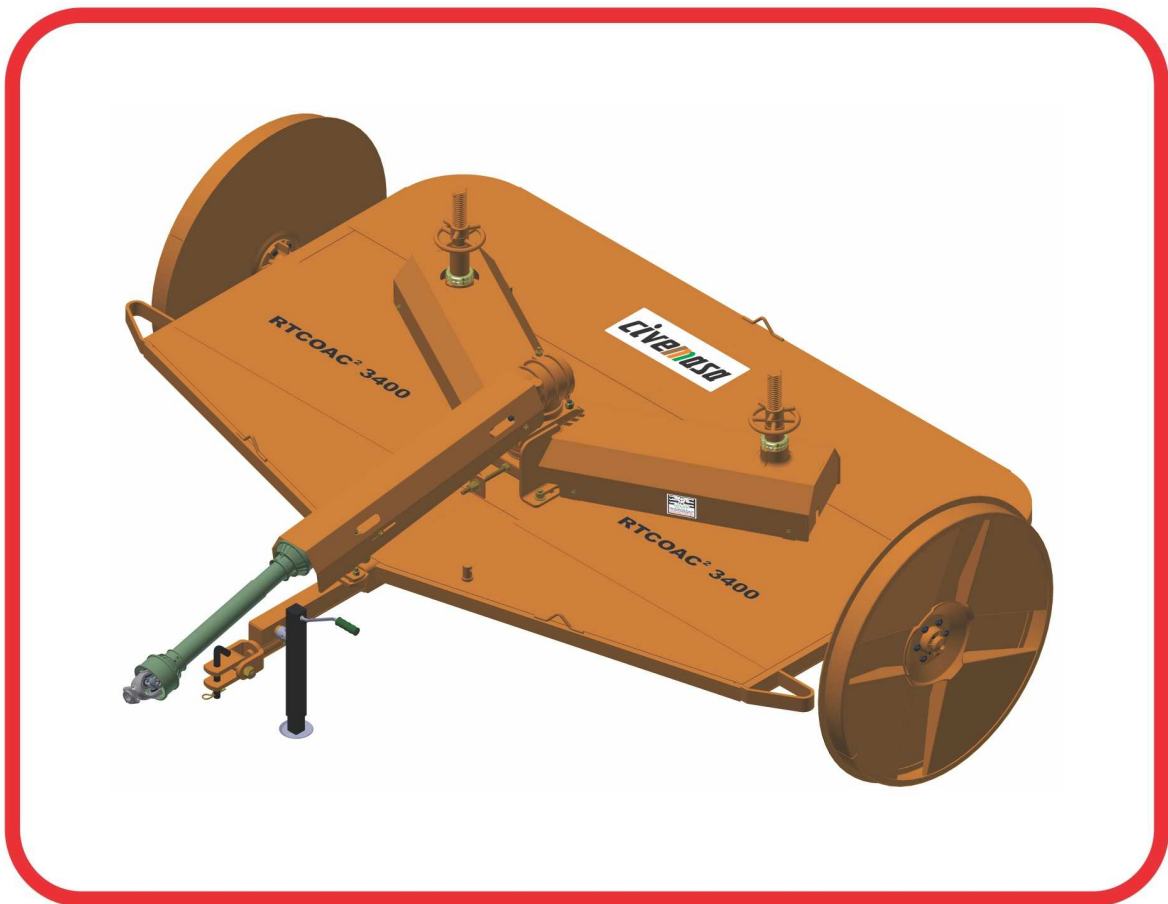


PARTS CATALOGUE

ROTARY COTTERS

RTCOAC2 3400

Code: 0501091646



Series: S-0216

Review: JUNHO/2016

ORIGINAL PARTS
CIVEMASA

civemasa

PRODUCTS

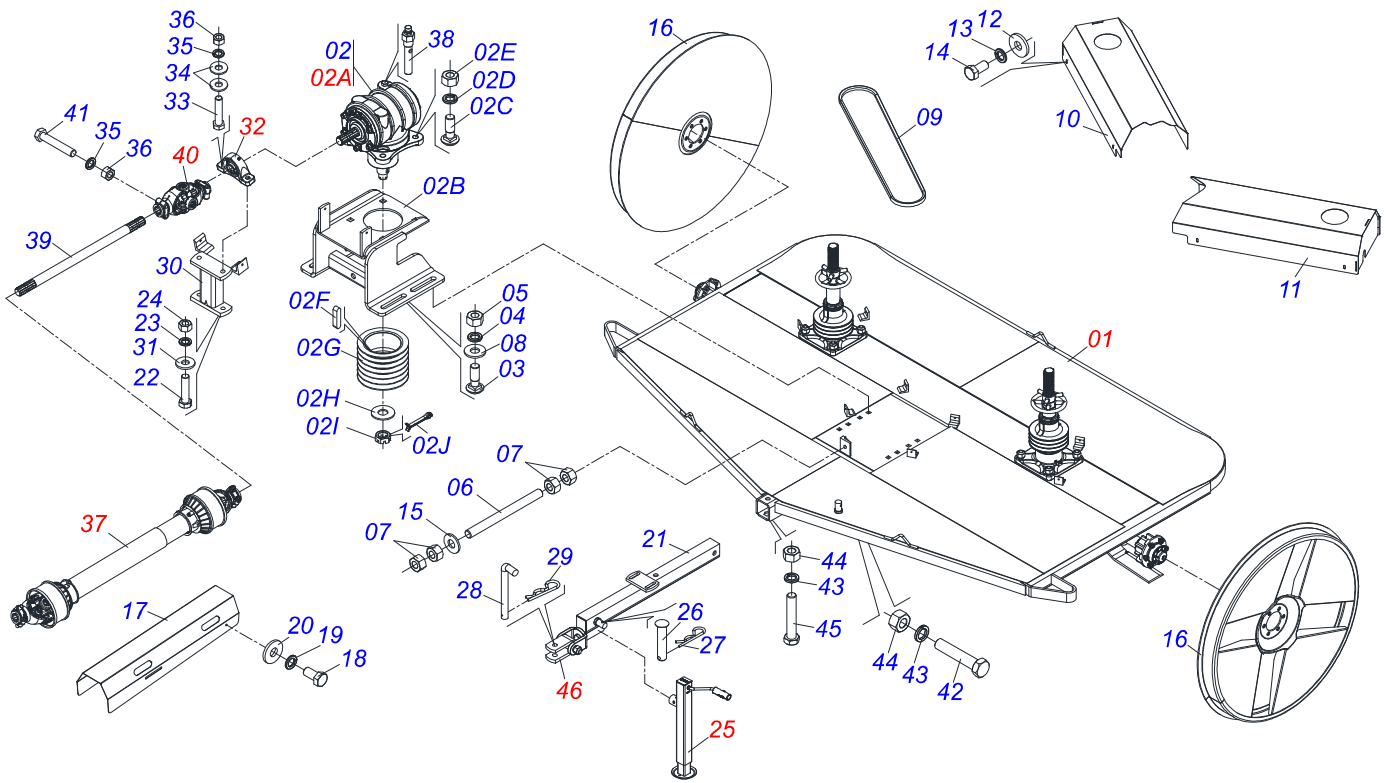
Code	Description
0121580003	RTCOAC2 3400 ENGATE GIRATORIO CM S-0216

ATTENTION: **IMPORTANT**

CIVEMASA RESERVES THE RIGHT AT ANY TIME TO MAKE IMPROVEMENTS IN THE DESIGN, MATERIAL OR SPECIFICATIONS OF MACHINERY, EQUIPMENT OR PARTS WITHOUT THEREBY BECOMING LIABLE TO MAKE SIMILAR CHANGES IN MACHINERY, EQUIPMENT OR PARTS PREVIOUSLY SOLD.

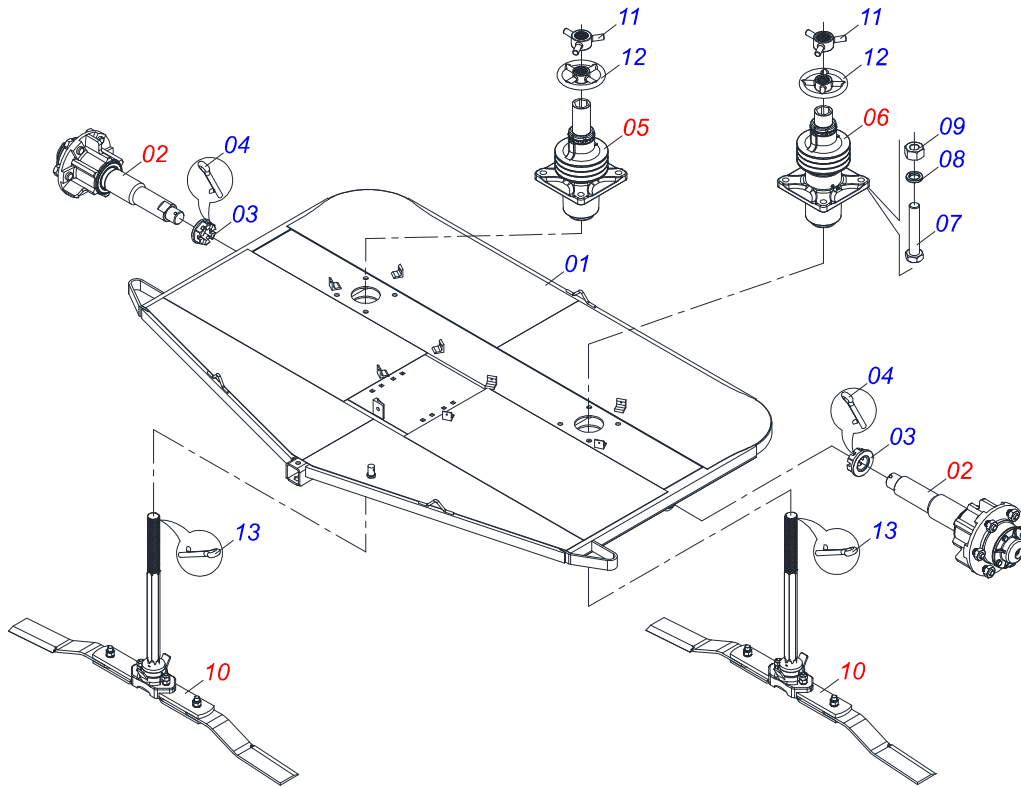
INDEX

0909094697	FRAME ASSY	1
0511058940	SEMIFINISHED FRAME	2
0501046851	MULTIPLIER	3
0501047952	DRIVE SHAFT	4
0501044065	UNIVERSAL JOINT	5
0501044307	AGRICULTURAL BEARING ASSY	6
0503062157	HEADER JACK	7
0511058163		8
0501051634	STUB SHAFT & HUB ASSY	9
0511046006	BASS MANDREL	10
0511046007	MANDREL ASSY	11
0501059339		12

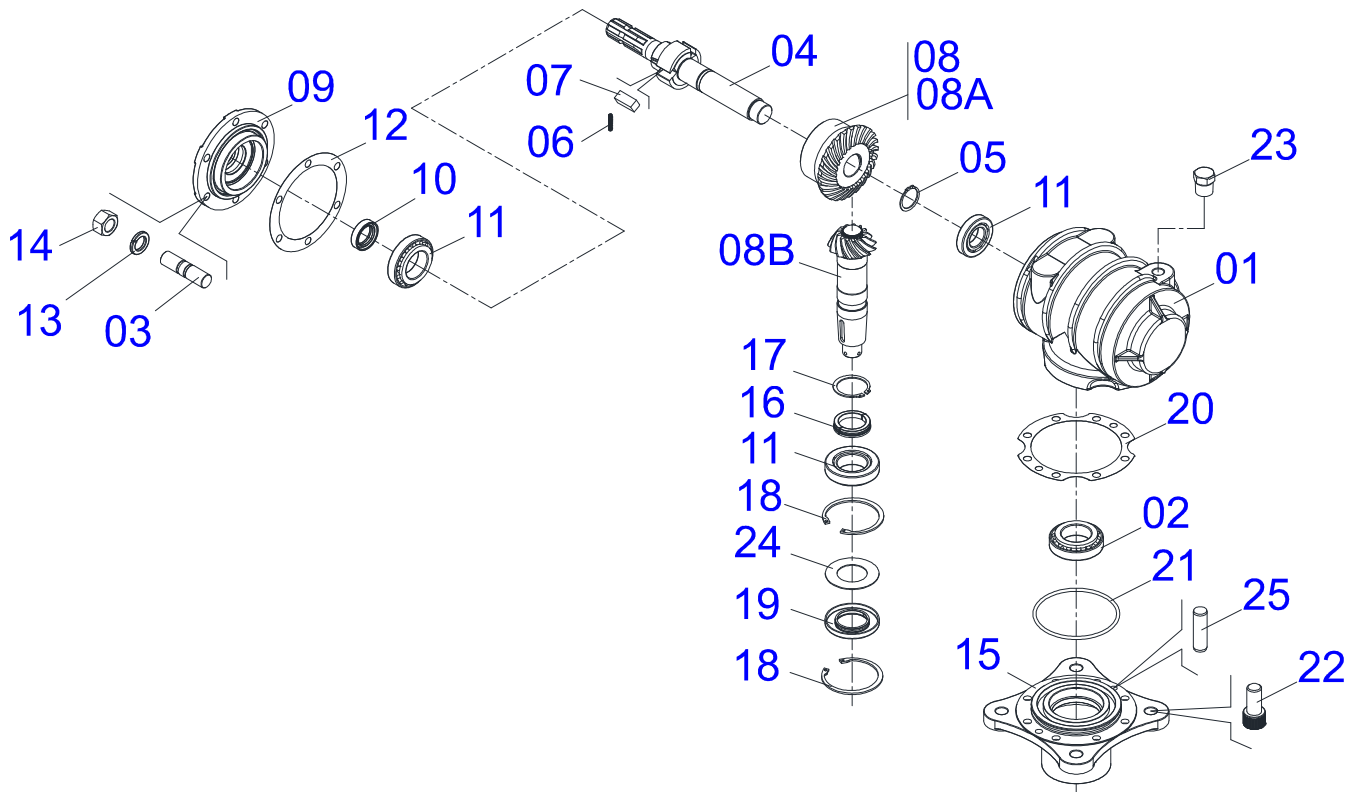


Item	Code	Description	QT
01	0511058940	SEMIFINISHED FRAME	01
02	0501052026	MULTIPLIER W/ SUPPORT	01
02A	0501046851	MULTIPLIER	01
02B	0501068587	MULTIPLIER SUPPORT	01
02C	0511018358	3/4" X 2-1/4"7MM BOLT	04
02D	0503011442	3/4" SPRING WASHER	04
02E	0503010014	3/4" NUT	04
02F	0501010536	0.4" X 1.7" KEYWAY SQUARE	02
02G	0502011378	6 REEL X 7.5" X 1.97" PULLEY	01
02H	0561015762	FLAT WASHER	01
02I	0503011052	1.1/4" X 0.77" CASTLE NUT	01
02J	0503010131	3/16" X 1-1/2" COTTERPIN	01
03	0501017305	3/4" X 2-1/4" BOLT	04
04	0503010023	3/4" SPRING WASHER	04
05	0503010014	3/4" NUT	04
06	0501013451	282 TENSIONER BODY	01
07	0503010014	3/4" NUT	04
08	0501010322	FLAT WASHER	04
09	0503010924	C-96 BELT	06
10	0531017932	RIGHT PROTECTION COVER OF THE BELTS	01
11	0531017933	LEFT PROTECTION COVER OF THE BELTS	01
12	0501010984	FLAT WASHER	08
13	0503010025	3/8" SPRING WHASHER	08
14	0503010256	3/8" X 3/4" BOLT	08
15	0501010322	FLAT WASHER	01
16	0511061898	WHEEL	02
17	0531017837	FRONT PROTECTION COVER	01
18	0503010256	3/8" X 3/4" BOLT	06
19	0503010025	3/8" SPRING WHASHER	06
20	0501010984	FLAT WASHER	06
21	0511068803	DRAWBAR ROAT2	01
22	0503010233	5/8" X 2-1/2" BOLT	02
23	0503010027	5/8" SPRING WASHER	02

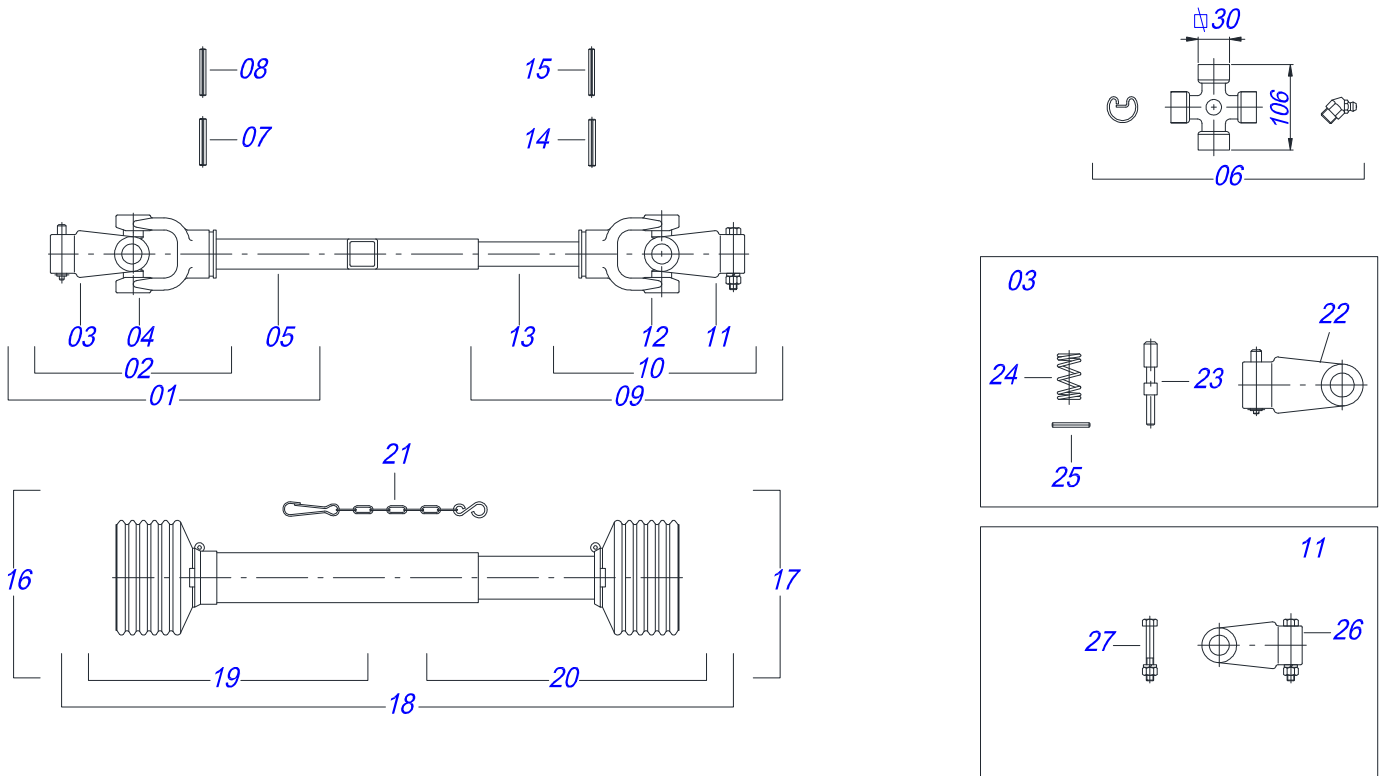
Item	Code	Description	QT
24	0503010013	5/8" NUT	02
25	0503062157	HEADER JACK	01
26	0521010549	COUPLING SHAFT	01
27	0503030168	HAIR PIN	01
28	0521010453	COUPLING SHAFT	01
29	0503031035	HAIR PIN	01
30	0501061174	BEARING SUPPORT	01
31	0501012140	FLAT WASHER	02
32	0501044307	AGRICULTURAL BEARING ASSY	01
33	0503010734	1/2" X 2-1/2" BOLT	02
34	0511017302	FLAT WASHER	04
35	0503010019	1/2" SPRING WASHER	06
36	0503010060	1/2" NUT	06
37	0501047952	DRIVE SHAFT	01
38	0501110186	OIL SMALLER LEVEL INDICATOR	01
39	0511011543	DRIVE AXLE	01
40	0501044065	UNIVERSAL JOINT	01
41	0503010479	1/2" X 3" BOLT	04
42	0501010392	1" X 5" BOLT	01
43	0503010012	1" SPRING WASHER	02
44	0501010059	1" NUT	02
45	0501010372	1" X 5-1/2" BOLT	01
46	0511058163		01



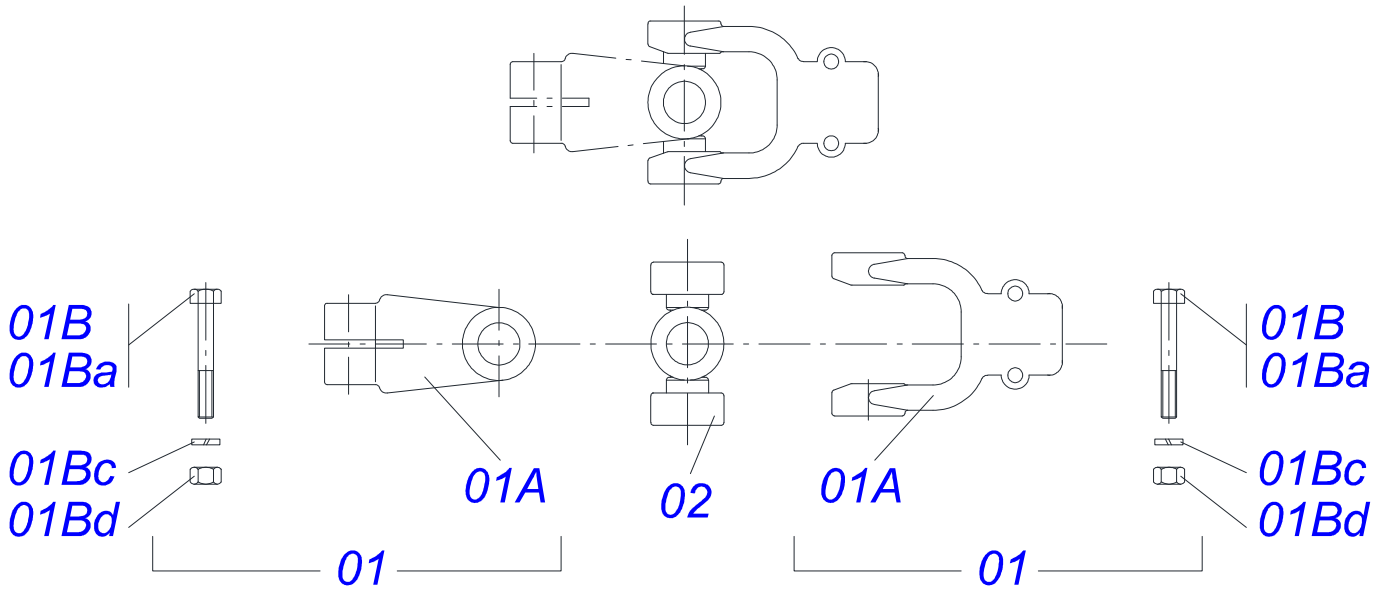
Item	Code	Description	QT
001	0521066867		01
002	0501051634	STUB SHAFT & HUB ASSY	02
003	0501011301	1.1/2" CASTLE NUT	02
004	0503010010	1/4" X 2.1/2" COTTERPIN	02
005	0511046006	BASS MANDREL	01
006	0511046007	MANDREL ASSY	01
007	0501010372	1" X 5-1/2" BOLT	08
008	0503011438	1" SPRING WASHER	08
009	0501010059	1" NUT	08
010	0501059339		02
011	0502012459	HANDLE ROAT2	02
012	0502012460	HANDLE LOCK	02
013	0503010534	3/8" X 2-1/2" COTTERPIN	02



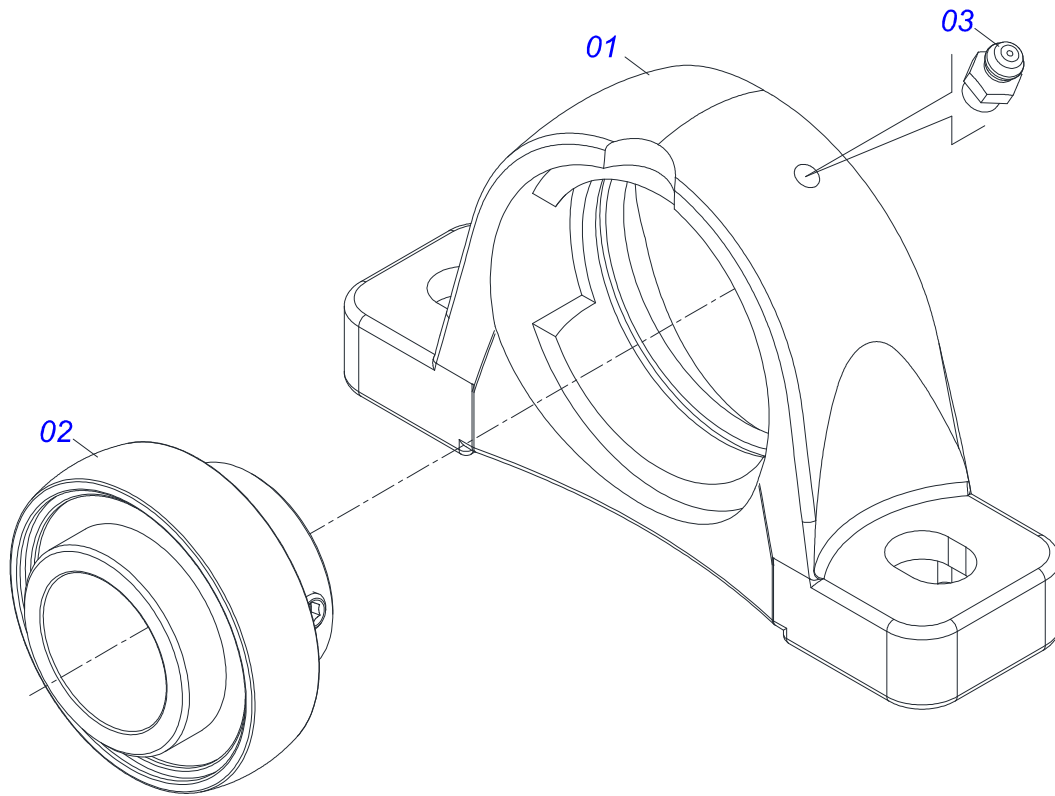
Item	Code	Description	
01	0502010984	LEFT MULTIPLIER BOX	01
02	0503010037	30207 ROLLER BEARING	01
03	0503030084	1/2" X 1/2" X 2.0" STUD	06
04	0503050063	UPPER AXLE	01
05	0503010217	501040 CLAMPING RING (FOR AXLE)	01
06	0503030051	0.2" X 1" X 0.1" COMPRESSION SPRING	06
07	0501010649	RATCHET CLICK	03
08	0503060210	CROWN PINION SET	01
08A	0503050074	25Z CONICAL GEAR	01
08B	0503061048	PINION	01
09	0502011152	SMALLER COVER	01
10	0503011171	00912-BRG SEAL	01
11	0503010006	32210 ROLLER BEARING	03
12	0503030783	7.1" X 5.3" X 0.008" JOINT	01
13	0503010019	1/2" SPRING WASHER	06
14	0503010028	1/2" NUT	06
15	0502011393	LOWER HUB	01
16	0511010142	LOCK RING	01
17	0503010396	501060 CLAMPING RING (FOR AXLE)	01
18	0503011190	502090 CLAMPING RING (FOR AXLE)	02
19	0503011047	5089 SEAL	01
20	0503030785	7.9" X 5.9" X 0.008" JOINT	01
21	0503010286	2-355 N 3006-9B O-RING	01
22	0503010562	1/2" X 1" BOLT	08
23	0503031604	1/2" BSP PLUG	01
24	0521018064	FLAT WASHER	01
25	0503017877	PIN GUIDE	02



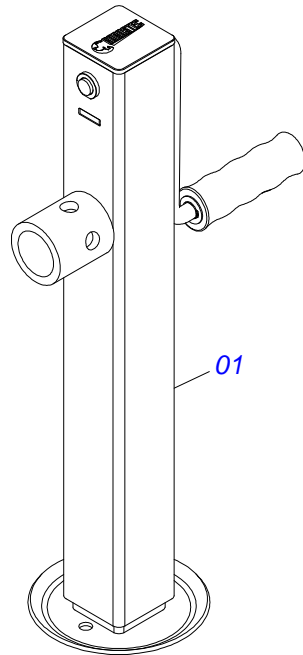
Item	Code	Description	
01	0501051707	UNIVERSAL JOINT WITH SLEEVE	01
02	0501051708	UNIVERSAL JOINT	01
03	0501050334	1-60 TERMINAL WITH QUICK HITCH	01
04	0502011422	2-60 TERMINAL	01
05	0511010332	23" X 1.8" SQUARE SLEEVE	01
06	0503010837	CARDAN CROSSPIECE	02
07	0503010843	0.4" X 3.3" SPRING PIN	01
08	0503011878	0.2" X 3.3" SPRING PIN	01
09	0501051709	UNIVERSAL JOINT WITH SHAFT	01
10	0501051710	UNIVERSAL JOINT	01
11	0501052516	T6-60 TERMINAL WITH SCREW	01
12	0502011424	3-60 TERMINAL	01
13	0511010326	1.4" X 23" SQUARE SHAFT	01
14	0503011069	0.4" X 2.8" SPRING PIN	01
15	0503011805	0.2" X 2.8" SPRING PIN	01
16	0501051705	UNIVERSAL JOINT WITH SLEEVE/PROT	01
17	0501051706	UNIVERSAL JOINT WITH AXLE/PROT	01
18	0503012083	PROTECTION ASSY	01
19	0503012084	PROTECTION FOR UNIV JOINT AND SLEEV	01
20	0503012085	PROTECTION FOR UNIV JOINT AND AXLE	01
21	0503012023	CHAIN FOR UNIV JOINT PROTECTION	02
22	0502010568	1-60 STRIATED 1.3/8" TERMINAL	01
23	0521010638	0.5" X 3.3" QUIC HITCH COUPL SHAFT	01
24	0503030518	0.5"X1.0"X 0.1" COMPRESSION SPRING	01
25	0503010838	0.1" X 0.8" SPRING PIN	01
26	0502010830	6-60 STRIATED 1.3/8" TERMINAL	01
27	0501047759	1/2" X 3-1/2" BOLT ASSY	01



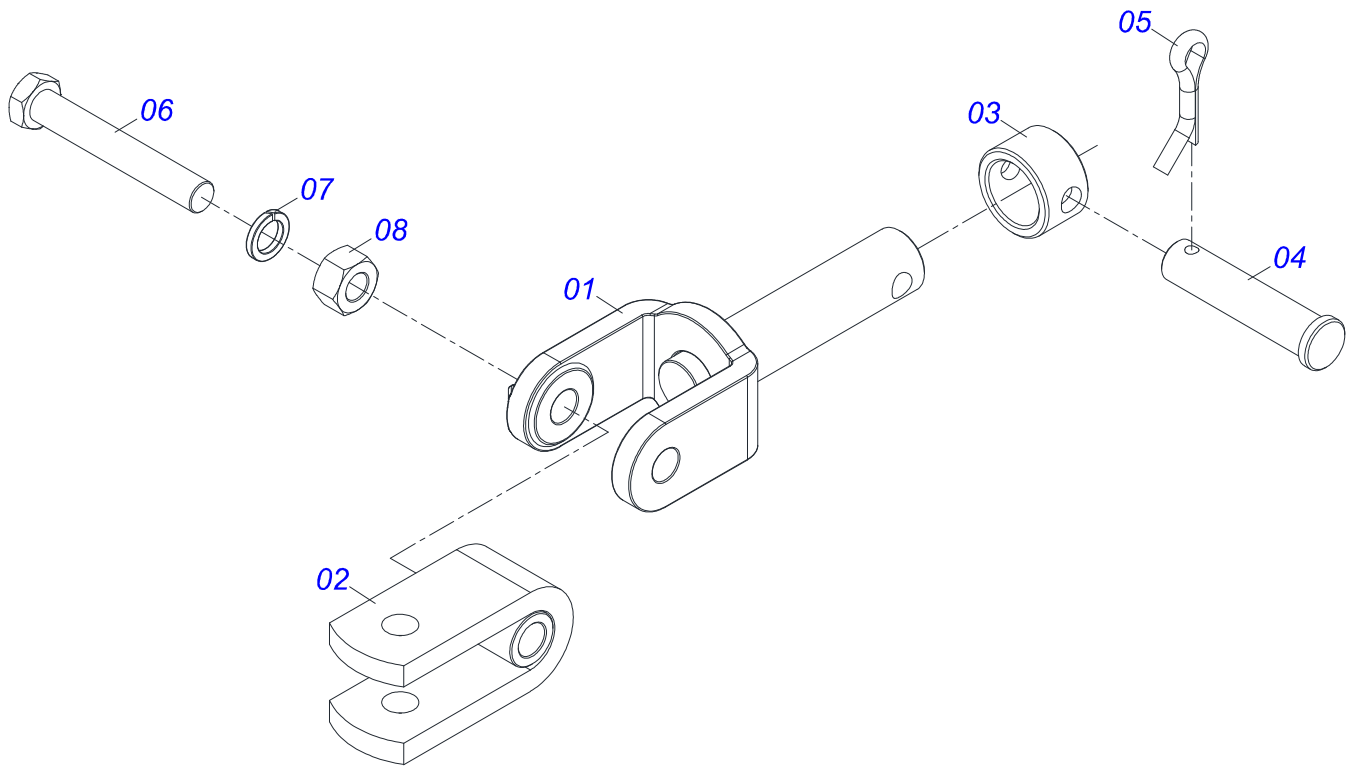
Item	Code	Description	
01	0501052516	T6-60 TERMINAL WITH SCREW	02
01A	0502010830	6-60 STRIATED 1.3/8" TERMINAL	02
01B	0501047759	1/2" X 3-1/2" BOLT ASSY	02
01Ba	0503010752	1/2" X 3.1/2" BOLT	02
01Bb	0503010019	1/2" SPRING WASHER	02
01Bc	0503010060	1/2" NUT	02
02	0503010837	CARDAN CROSSPIECE	01



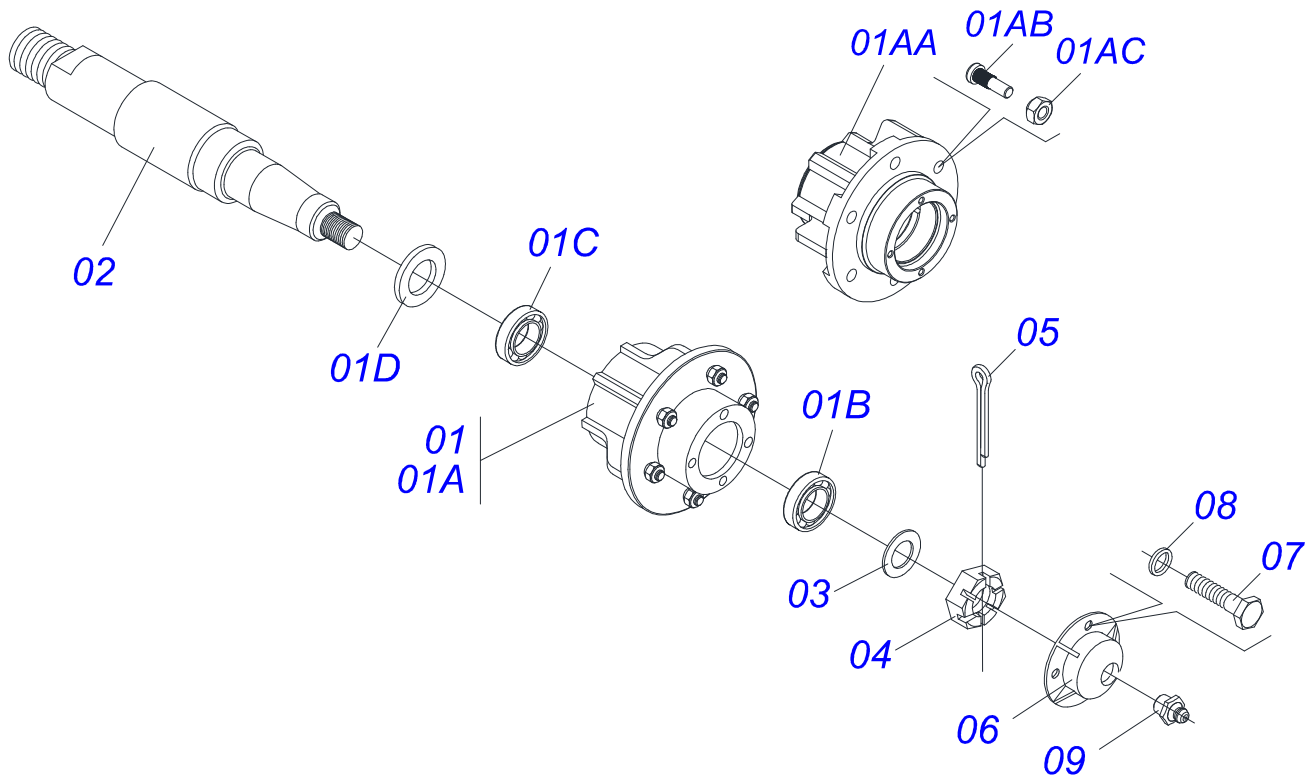
Item	Code	Description	QT
001	0503010596	AGRICULTURAL HOUSING BEARING	01
002	0503010597	BALL BEARING	01
003	0503010691	1/4" GREASE FITTING	01



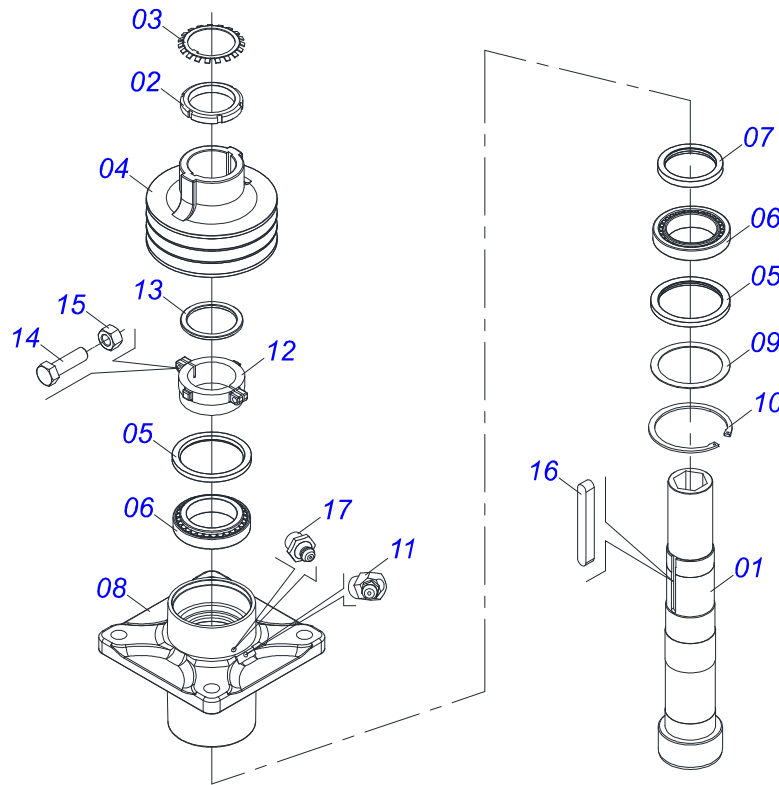
Item	Code	Description
01	0503062157	HEADER JACK



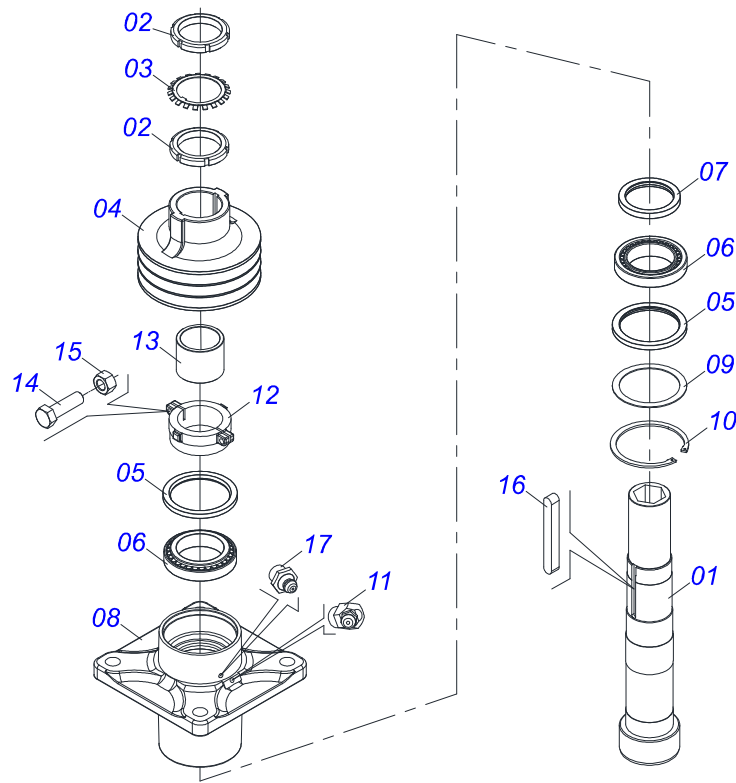
Item	Code	Description	QT
001	0521066536		01
002	0521065106		01
003	0521010681	BUSHING COUPLING BODY	01
004	0521010639	20,30/20,20 X 90 COUPLING SHAFT	01
005	0503010571	1/4" X 1.1/2" COTTERPIN	01
006	0501010060	1" X 6-1/2" BOLT	01
007	0503011438	1" SPRING WASHER	01
008	0501010059	1" NUT	01



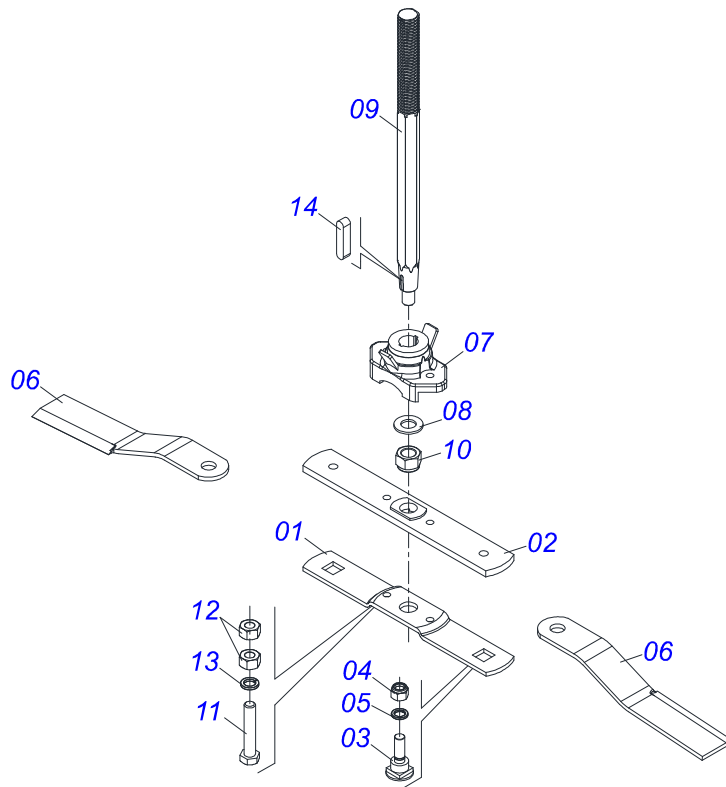
Item	Code	Description	
01	0501051142	CARRYING WHEEL HUB	01
01A	0501110728	WHEEL HUB	01
01AA	0502011121	CARRYING WHEEL HUB	01
01AB	0501010127	9/16" X 1-7/8" LUG BOLT	06
01AC	0503013001	9/16" CONICAL NUT	06
01B	0503010006	32210 ROLLER BEARING	01
01C	0503010037	30207 ROLLER BEARING	01
01D	0503012928	SEAL 5985-GB	01
02	0521010821	2.5" X 16.5" AXLE	01
03	0501016545	FLAT WASHER	01
04	0503030009	1" X 0.9" CASTLE NUT	01
05	0503010018	5/32" X 1-1/2" COTTERPIN	01
06	0502020591	COVER	01
07	0503010358	5/16" X 7/8" BOLT	04
08	0503011444	5/16" SPRING WASHER	04
09	0503010002	GREASE FITTING	01



Item	Code	Description	QT
001	0502040767	MANDREL AXLE BODY	01
002	0503010554	KM- 16 LOCKNUT	01
003	0503010553	LOCK WASHER	01
004	0502012463	3 REEL 210 PULLEY	01
005	0503010095	01103-B SEAL	02
006	0503014559	ROLLER BEARING	02
007	0503014560	SEAL	01
008	0502012461	MANDREL BODY	01
009	0551015956	FLAT WASHER	01
010	0503014558	502135 CLAMPING RING (FOR HOLE)	01
011	0503010003	3/8" GREASE FITTING	01
012	0502040768	ADJUSTMENT BUSHING	01
013	0551015954	WASHER	01
014	0503010751	BOLT	02
015	0503010026	3/8" NUT	02
016	0501018488	3/8" X 3.1" KEYWAY SQUARE	02
017	0503010002	GREASE FITTING	02



Item	Code	Description	QT
001	0502040766	MANDREL AXLE BODY	01
002	0503010554	KM- 16 LOCKNUT	02
003	0503010553	LOCK WASHER	01
004	0502012463	3 REEL 210 PULLEY	01
005	0503010095	01103-B SEAL	02
006	0503014559	ROLLER BEARING	02
007	0503014560	SEAL	01
008	0502012461	MANDREL BODY	01
009	0551015956	FLAT WASHER	01
010	0503014558	502135 CLAMPING RING (FOR HOLE)	01
011	0503010003	3/8" GREASE FITTING	01
012	0502040768	ADJUSTMENT BUSHING	01
013	0551015955	84 X 105 X 82,6 SLEEVE	01
014	0503010751	BOLT	02
015	0503010026	3/8" NUT	02
016	0501018488	3/8" X 3.1" KEYWAY SQUARE	02
017	0503010002	GREASE FITTING	01



Item	Code	Description	QT
001	0561017369	ROTARY LOWER SUPPORT LOWER	01
002	0561017307	SUPPORT UPPER BASE	01
003	0511019000	BOLT	02
004	0503010812	7/8" UNF SELF ADJUSTING NUT	02
005	0503011447	7/8" SPRING WASHER	02
006	0622340055	CM 622 X 100 X 12 ROTARY CUTTER	02
007	0502012453	SUPPORT FLANGE	01
008	0501017779	FLAT WASHER	01
009	0551015952	SUPPORT FIXER AXLE	01
010	0503010817	1.1/4" UNF SELF ADJUSTING NUT	01
011	0503011328	3/4" X 4" BOLT	02
012	0503010014	3/4" NUT	04
013	0503011442	3/4" SPRING WASHER	02
014	0501010536	0.4" X 1.7" KEYWAY SQUARE	02

ANNOTATIONS

Lined area for annotations with 22 horizontal lines.



email: civemasa@civemasa.com.br

www.civemasa.com.br

Phone: +55 16.3382.8222

Fax: +55 16.3382.8355

MARCHESAN IMPLEMENTOS E MÁQUINAS AGRÍCOLAS "TATU" S.A.

Av. Marchesan, 1979 - Post Office box, 131 - Cep 15994-900 - Matão - Sp - Brasil

CNPJ 52.311.289/0001-63 | Inst. Est.441.000.151.114

Drafting and Illustration = GASPARI
e.mail = jgaspari@marchesan.com.br

ORIGINAIS PARTS
CIVEMASA

The Civemasa logo, identical to the one at the top of the page, is positioned at the bottom right of the page. It features the word "civemasa" in a bold, italicized, lowercase sans-serif font, with the "i", "v", and "e" in black, the "m" in green, and the "a" in orange. Above the "m" and "a" are three vertical bars of increasing height, colored green, orange, and green from left to right.