

# ***PARTS CATALOGUE***

## **DISK HARROWS**

### **GASPCRC HD 9017**

**Code: 0501091644**



**Series: S-0814**

**Rev.: 00**

**Date Rev.: JUNHO/2016**

**ORIGINAL PARTS  
CIVEMASA**

***civemasa***

# PRODUCTS

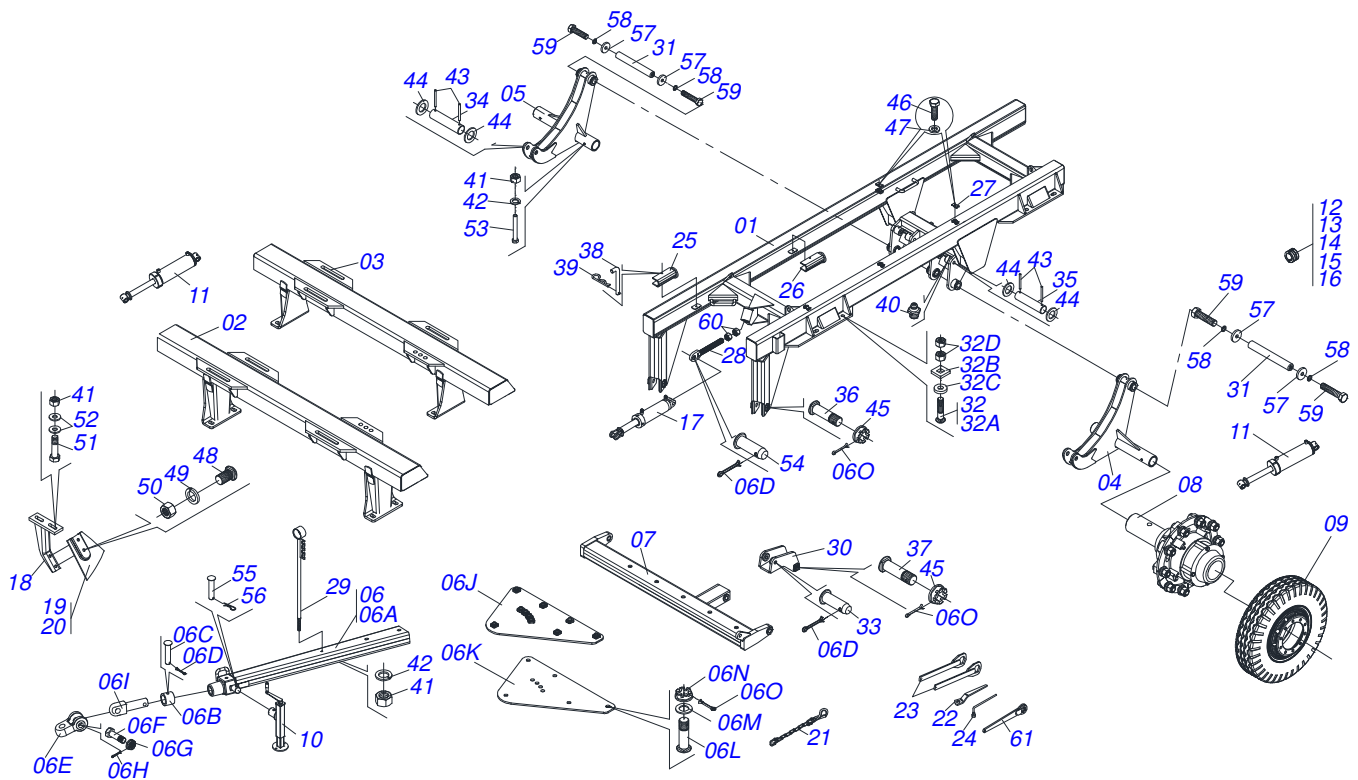
Code	Description
0121510032	GASPCRC HD 9017 16X36X12 DM S-0814
0121510033	GASPCRC HD 9017 18X36X12 DM S-0814
0121510031	GASPCRC HD 9017 20X36X12 DM S-0814
0121510026	GASPCRC HD 9017 24 X 36 X 12 S-0814
0121510025	GASPCRC HD 9017 26 X 36 X 12 S-0814
0121510024	GASPCRC HD 9017 28 X 36 X 12 S-0814
0121510023	GASPCRC HD 9017 30 X 36 X 12 S-0814
0121510022	GASPCRC HD 9017 32 X 36 X 12 S-0814
0121510021	GASPCRC HD 9017 34 X 36 X 12 S-0814
0121510020	GASPCRC HD 9017 36 X 36 X 12 S-0814

## ATTENTION: **IMPORTANT**

*CIVEMASA RESERVES THE RIGHT AT ANY TIME TO MAKE IMPROVEMENTS IN THE DESIGN, MATERIAL OR SPECIFICATIONS OF MACHINERY, EQUIPMENT OR PARTS WITHOUT THEREBY BECOMING LIABLE TO MAKE SIMILAR CHANGES IN MACHINERY, EQUIPMENT OR PARTS PREVIOUSLY SOLD.*

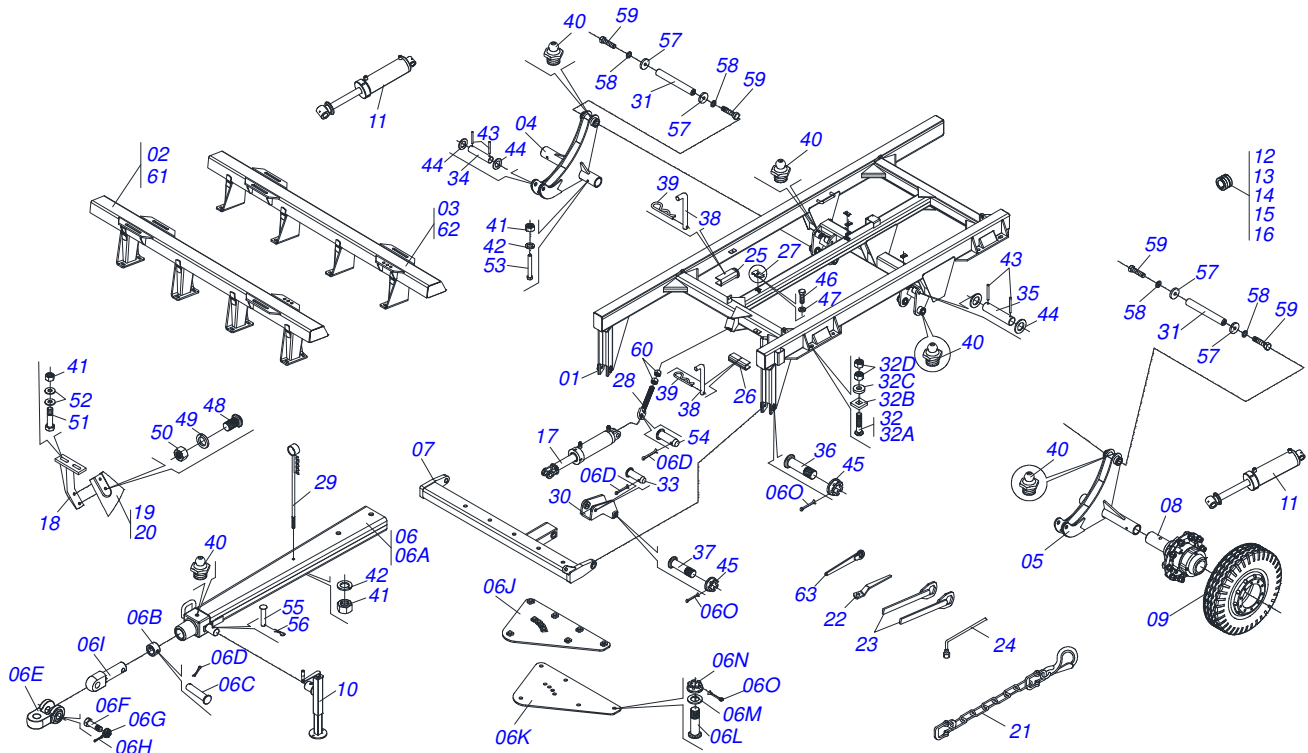
# INDEX

0909094593	FRAME GASPCRC-HD 9017 16	.....	1
0909094595	FRAME GASPCRC HD 9017 18 E 20	.....	2
0909094688	FRAME GASPRC HD 9017 24 A 36	.....	3
0501057120	HUB ASSY	.....	4
0511048088	DRAWBAR JACK	.....	5
0511058419	HYDRAULIC CYLINDER	.....	6
0511048619	HYDRAULIC CYLINDER	.....	7
0521041291	OIL 430 X 2.1/2 BEARING ASSY	.....	8
0909094678	GANG DISC 18	.....	9
0909094601	GANG DISC 16D	.....	10
0909094608	GANG DISC 20	.....	11
0909094689	GANG DISC 24 A 36	.....	12
0909094609	12/14D - HYDRAULIC CIRCUIT	.....	13
0909094465	16/18/20/22/26D - HYDRAULIC CIRCUIT	.....	14
0909094622	HYDRAULIC CIRCUIT REVIEW	.....	15



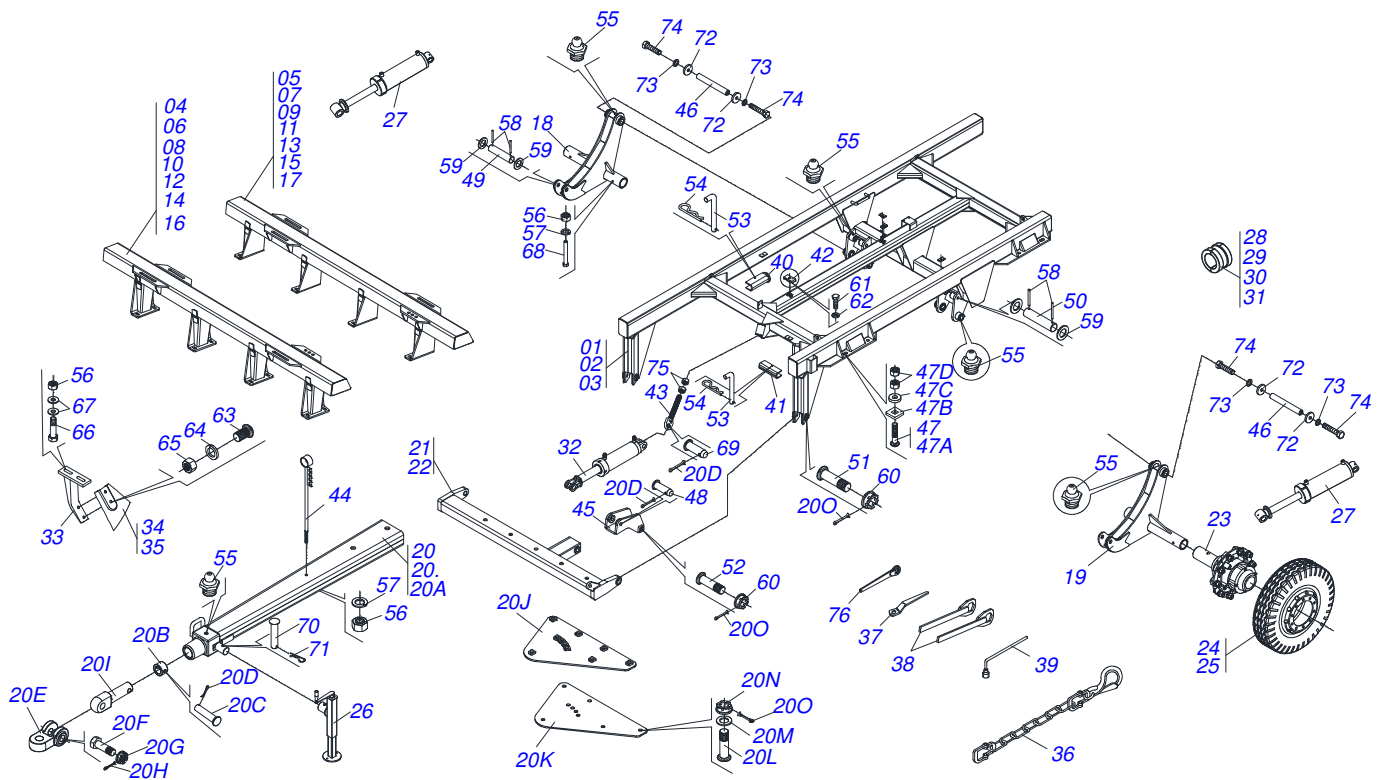
Item	Code	Description	QT
01	0521066347	CENTER FRAME	01
02	0521066599	FRONT FRAME	01
03	0521066600	REAR FRAME	01
04	0511066611	LEFT CARRYING-WHEELS SUPPORT	01
05	0511066741	RIGHT CARRYING-WHEELS SUPPORT	01
06	0511045200	DRAWBAR ASSY	01
06A	0511064669	DRAWBAR ASSY	01
06B	0502040263	ANEL TRAVA ENGATE	01
06C	0561017306	COUPLING SHAFT	01
06D	0503010523	1/4" X 2" COTTERPIN	01
06E	0502040293	YH-90 CLEVIS	01
06F	0511067199	2" BOLT	01
06G	0502040558	2" CASTLE NUT	01
06H	0503010074	3/8 X 0,15" COTTERPIN	01
06I	0502040264	DRAWBOLT	01
06J	0511067825	UPPER PLATE	01
06K	0511067826	LOWER PLATE	01
06L	0521011880	37,5 X 242 COUPLING SHAFT	06
06M	0501012916	FLAT WASHER 38,50 X 66 X 4,75 ZN	06
06N	0501011301	1.1/2 UNC 6FPP 2.5/16 NUT	06
06O	0503010010	1/4" X 2.1/2" COTTERPIN	09
07	0511067827	1100 OFFSET BAR	01
08	0501057120	HUB ASSY	04
09	0503061582	WHEEL AND TIRE ASSY	04
10	0511048088	DRAWBAR JACK	01
11	0511048619	HYDRAULIC CYLINDER	02
12	0501047895	ROD STOP	09
13	0501047885	ROD STOP	09
14	0501047886	ROD STOP	03
15	0501047887	ROD STOP	03
16	0501047888	ROD STOP	03
17	0511058419	HYDRAULIC CYLINDER	01
18	0511064771	FRONT SCRAPER SUPPORT	16

Item	Code	Description	QT
19	0521013678	FRONT CLEANER	08
20	0521013679	REAR CLEANER	08
21	0503013150	1300 X 3/8 CHAIN	01
22	0501011432	1-1/2" AND 1-5/8 GANG BOLT WRENCH	01
23	0501061044	2-1/8" AND 2-1/2" CABLE FLAT WRENCH	02
24	0503016137	1-1/4" WRENCH CABLE CYLINDRICAL	01
25	0551010332	TRANSPORT LOCK	01
26	0561016693	TRANSPORT LOCK	02
27	0502012702	BODY SUPPORT CLAMP	04
28	0511064433	REGULATOR SPINDLE 1-3/4	01
29	0521062849	HOSE HOLDER ASSY	01
30	0511064656	DRAWBAR PIVOT	01
31	0531018062	COUPLING SHAFT	02
32	0501041301	1-1/4"X 5-3/4" ASSY BOLT	08
32A	0501010954	1-1/4" X 5-3/4" BOLT	08
32B	0501010953	1-1/4" SQUARE WASHER	08
32C	0531810713	FLAT WASHER	08
32D	0501010087	1.1/4" NUT	16
33	0531019171	1.25" X 7" COUPLING SHAFT	01
34	0531018101	1.2" X 6.3" PIVOT SHAFT	02
35	0531018105	1.2" X 11.8" PIVOT SHAFT	02
36	0541014119	COUPLING SHAFT	02
37	0521012053	1.5" X 8.6" AXLE	01
38	0541016844	FIXER LOCK	03
39	0503030285	HAIR PIN	03
40	0503010002	1800 GREASE FITTING	11
41	0503010014	3/4" NUT	32
42	0503010023	SPRING WASHER	05
43	0503011877	0.3" X 2.4" SPRING PIN	08
44	0501017779	FLAT WASHER	08
45	0501011301	1.1/2 UNC 6FPP 2.5/16 NUT	03
46	0503012555	7/16" X 2" BOLT	04
47	0503010180	7/16" SPRING WASHER	04
48	0503012195	5/8" NUT	32
49	0503010027	SPRING WASHER	64
50	0503010013	5/8" NUT	64
51	0501010500	3/4"X3"BOLT	64
52	0541010763	FLAT WASHER	148
53	0503011198	C3/4" X 6" BOLT	04
54	0521012538	1.2" X 3.5" COUPLING SHAFT	01
55	0561014251	COUPLING SHAFT	01
56	0503030012	HAIR PIN	01
57	0521011565	FLAT WASHER	04
58	0503010012	1" SPRING WASHER	04
59	0503011250	1" X 2" BOLT	04
60	0501010333	1.3/4" NUT	02
61	0521062858	1.1/4" WRENCH NUT	01



Item	Code	Description	18	20
01	0521062922	FRAME GASPCRC/GASPCRC S-0705	01	01
02	0521066601	FRAME FRONT GASPCRC HD 9017 18	01	00
03	0521066602	REAR FRAME GASPCRC HD 9017 18	01	01
04	0511066611	LEFT CARRYING-WHEELS SUPPORT	01	01
05	0511066741	RIGHT CARRYING-WHEELS SUPPORT	01	01
06	0511041592	DRAWBAR ASSY	01	01
06A	0511064669	DRAWBAR ASSY	01	01
06B	0502040263	ANEL TRAVA ENGATE	01	01
06C	0561017306	COUPLING SHAFT	01	01
06D	0503010523	1/4" X 2" COTTERPIN	03	03
06E	0502040293	YH-90 CLEVIS	01	01
06F	0511067199	2" BOLT	01	01
06G	0502040558	2" CASTLE NUT	01	01
06H	0503010074	3/8 X 0,15" COTTERPIN	01	01
06I	0502040264	DRAWBOLT	01	01
06J	0511064659	UPPER PLATE	01	01
06K	0511064658	LOWER PLATE	01	01
06L	0521011880	37,5 X 242 COUPLING SHAFT	06	06
06M	0501012916	FLAT WASHER 38,50 X 66 X 4,75 ZN	06	06
06N	0501011301	1.1/2 UNC 6FPP 2.5/16 NUT	06	06
06O	0503010010	1/4" X 2.1/2" COTTERPIN	09	09
07	0511066580	2135 OFFSET BAR	01	01
08	0501057120	HUB ASSY	04	04
09	0503061582	WHEEL AND TIRE ASSY	04	04
10	0511048088	DRAWBAR JACK	01	01
11	0511048619	HYDRAULIC CYLINDER	02	02
12	0501047895	ROD STOP	09	09
13	0501047885	ROD STOP	06	06
14	0501047886	ROD STOP	03	03
15	0501047887	ROD STOP	03	03
16	0501047888	ROD STOP	03	03
17	0511058419	HYDRAULIC CYLINDER	01	01
18	0511064771	FRONT SCRAPER SUPPORT	18	20

Item	Code	Description	18	20
19	0521013678	FRONT CLEANER	09	10
20	0521013679	REAR CLEANER	09	10
21	0503013150	1300 X 3/8 CHAIN	01	01
22	0501011432	1-1/2" AND 1-5/8 GANG BOLT WRENCH	01	01
23	0501061044	2-1/8" AND 2-1/2" CABLE FLAT WRENCH	02	02
24	0503016137	1-1/4" WRENCH CABLE CYLINDRICAL	01	01
25	0551010332	TRANSPORT LOCK	01	01
26	0561016693	TRANSPORT LOCK	02	02
27	0502012702	BODY SUPPORT CLAMP	04	04
28	0511064433	REGULATOR SPINDLE 1-3/4	01	01
29	0521062849	HOSE HOLDER ASSY	01	01
30	0511064656	DRAWBAR PIVOT	01	01
31	0531018062	COUPLING SHAFT	02	02
32	0501041301	1-1/4"X 5-3/4" ASSY BOLT	08	08
32A	0501010953	1-1/4" SQUARE WASHER	08	08
32B	0571010449	LOCK BOLT	08	08
32C	0531810713	FLAT WASHER	08	08
32D	0501010087	1.1/4" NUT	16	16
33	0531019171	1.25" X 7" COUPLING SHAFT	01	01
34	0531018101	1.2" X 6.3" PIVOT SHAFT	02	02
35	0531018105	1.2" X 11.8" PIVOT SHAFT	02	02
36	0541014119	COUPLING SHAFT	02	02
37	0521012053	1.5" X 8.6" AXLE	01	01
38	0541016844	FIXER LOCK	03	03
39	0503030285	HAIR PIN	03	03
40	0503010002	1800 GREASE FITTING	11	11
41	0503010014	3/4" NUT	45	45
42	0503010023	SPRING WASHER	05	05
43	0503011877	0.3" X 2.4" SPRING PIN	08	08
44	0501017779	FLAT WASHER	08	08
45	0501011301	1.1/2 UNC 6FPP 2.5/16 NUT	03	03
46	0503012555	7/16" X 2" BOLT	04	04
47	0503010180	7/16" SPRING WASHER	04	04
48	0503012195	5/8" NUT	36	40
49	0503010027	SPRING WASHER	36	40
50	0503010013	5/8" NUT	36	40
51	0501010500	3/4"X3"BOLT	36	40
52	0541010763	FLAT WASHER	72	80
53	0503011198	C3/4" X 6" BOLT	04	04
54	0521012538	1.2" X 3.5" COUPLING SHAFT	01	01
55	0561014251	COUPLING SHAFT	01	01
56	0503030012	HAIR PIN	01	01
57	0521011565	FLAT WASHER	04	04
58	0503010012	1" SPRING WASHER	04	04
59	0503011250	1" X 2" BOLT	04	04
60	0501010333	1.3/4" NUT	02	02
61	0521066597	FRONT FRAME GASPCRC 9017 20	00	01
62	0521066598	CHASSI TRAS GASPCRC 9017 20	00	00
63	0521062858	1.1/4" WRENCH NUT	01	01



Item	Code	Description	24	26	28	30	32	34	36
01	0521062952	FRAME GASPCR-EHD 10020 26D	01	01	01	01	00	00	00
02	0521065285	FRAME GASPCR-HD 9017 32-36	00	00	00	00	00	01	01
03	0521065286	RIGHT FRAME GASPCRC-HD 9017 32-36	00	00	00	00	00	00	01
04	0521065292	FRONT FRAME GASPCR-HD 24	01	00	00	00	00	00	00
05	0521065290	REAR FRAME	01	00	00	00	00	00	00
06	0521065296	FRONT FRAME GASPCR-HD 9017 26	00	01	00	00	00	00	00
07	0521065294	REAR FRAME GASPCR-HD 9017 26	00	01	00	00	00	00	00
08	0521065298	FRONT FRAME GASPCR-HD 9017 28	00	00	01	00	00	00	00
09	0521065300	REAR FRAME GASPCR-HD 9017 28	00	00	01	00	00	00	00
10	0521065302	FRONT FRAME GASPCR-HD 9017 30	00	00	00	01	00	00	00
11	0521065304	REAR FRAME GASPCR-HD 9017 30	00	00	00	01	00	00	00
12	0521065306	FRONT FRAME GASPCR-HD 9017 32	00	00	00	00	01	00	00
13	0521065308	REAR FRAME GASPCR-HD 9017 32	00	00	00	00	01	00	00
14	0521065310	FRONT FRAME GASPCR-HD 9017 34	00	00	00	00	00	01	00
15	0521065312	REAR FRAME GASPCR-HD 9017 34	00	00	00	00	00	01	00
16	0521065315	FRONT FRAME GASPCRC-HD 9017 36D	00	00	00	00	00	00	01
17	0521065317	REAR FRAME GASPCRC-HD 9017 36D	00	00	00	00	00	00	01
18	0511066611	LEFT CARRYING-WHEELS SUPPORT	01	01	01	01	01	01	01
19	0511066741	RIGHT CARRYING-WHEELS SUPPORT	01	01	01	01	01	01	01
20	0521044769	DRAWBAR ASSY	00	00	00	00	01	01	01
20.	0521041823	DRAWBAR ASSY	01	01	01	01	00	00	00
20A	0511064669	DRAWBAR ASSY	01	01	01	01	01	01	01
20B	0502040263	ANEL TRAVA ENGATE	01	01	01	01	01	01	01
20C	0561017306	COUPLING SHAFT	01	01	01	01	01	01	01
20D	0503010523	1/4" X 2" COTTERPIN	03	03	03	03	03	03	03
20E	0502040293	YH-90 CLEVIS	01	01	01	01	01	01	01
20F	0511067199	2" BOLT	01	01	01	01	01	01	01
20G	0502040558	2" CASTLE NUT	01	01	01	01	01	01	01
20H	0503010074	3/8 X 0,15" COTTERPIN	01	01	01	01	01	01	01
20I	0502040264	DRAWBOLT	01	01	01	01	01	01	01
20J	0511064659	UPPER PLATE	01	01	01	01	01	01	01
20K	0511064658	LOWER PLATE	01	01	01	01	01	01	01
20L	0521011880	37,5 X 242 COUPLING SHAFT	06	06	06	06	06	06	06

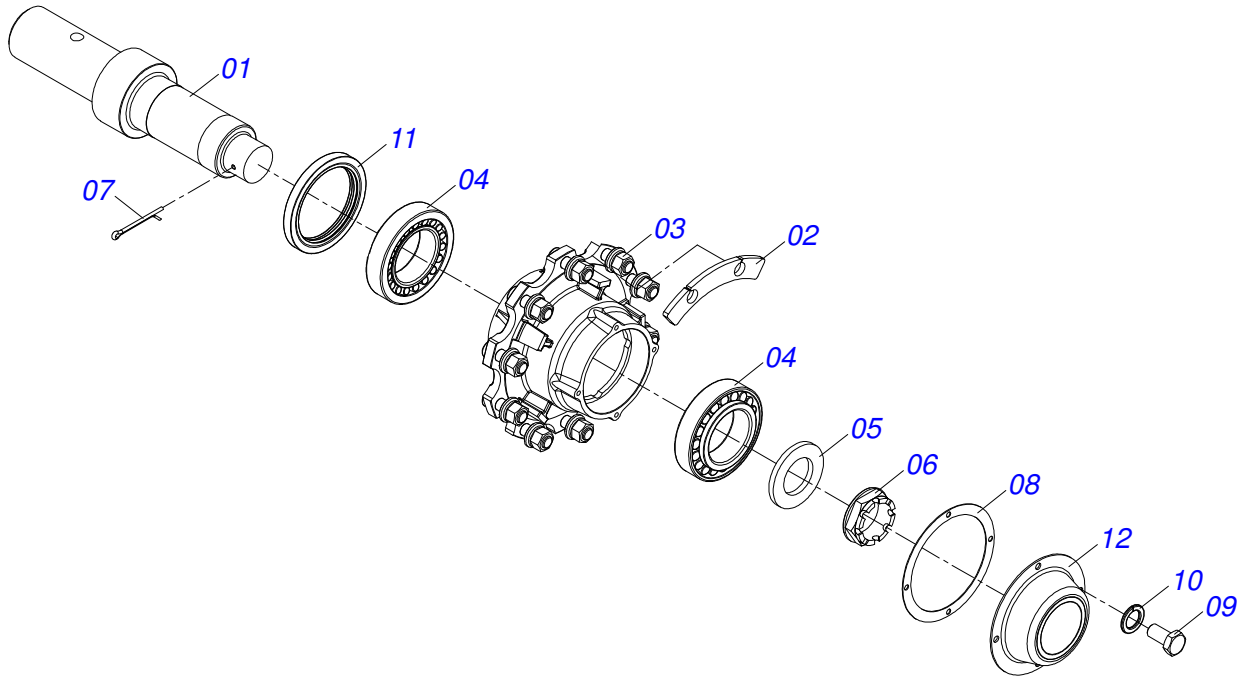


Item	Code	Description	24	26	28	30	32	34	36
20M	0501012916	FLAT WASHER 38,50 X 66 X 4,75 ZN	06	06	06	06	06	06	06
20N	0501011301	1.1/2 UNC 6FPP 2.5/16 NUT	06	06	06	06	06	06	06
20O	0503010010	1/4" X 2.1/2" COTTERPIN	09	09	09	09	09	09	09
21	0511066580	2135 OFFSET BAR	01	01	01	00	00	00	01
22	0521065288	OFFSET BAR	00	00	00	01	01	01	01
23	0501057120	HUB ASSY	04	04	04	04	04	04	04
24	0503062172	WHEEL AND TIRE ASSY	04	04	04	04	00	00	04
25	0503061582	WHEEL AND TIRE ASSY	00	00	00	00	04	04	00
26	0511048088	DRAWBAR JACK	01	01	01	01	01	01	01
27	0511048619	HYDRAULIC CYLINDER	02	02	02	02	02	02	02
28	0501047895	ROD STOP	09	09	09	09	09	09	09
29	0501047885	ROD STOP	06	06	06	06	06	06	06
30	0501047886	ROD STOP	03	03	03	03	03	03	03
31	0501047887	ROD STOP	03	03	03	03	03	03	03
32	0511048617	HYDRAULIC CYLINDER	01	01	01	01	01	01	01
33	0511064771	FRONT SCRAPER SUPPORT	24	26	28	30	32	34	36
34	0521013678	FRONT CLEANER	12	13	14	15	16	17	18
35	0521013679	REAR CLEANER	12	13	14	15	16	17	18
36	0503013150	1300 X 3/8 CHAIN	01	01	01	01	01	01	01
37	0501011432	1-1/2" AND 1-5/8 GANG BOLT WRENCH	01	01	01	01	01	01	01
38	0501061044	2-1/8" AND 2-1/2" CABLE FLAT WRENCH	02	02	02	02	02	02	02
39	0503016137	1-1/4" WRENCH CABLE CYLINDRICAL	01	01	01	01	01	01	01
40	0551010332	TRANSPORT LOCK	01	01	01	01	01	01	01
41	0561016693	TRANSPORT LOCK	02	02	02	02	02	02	02
42	0502012702	BODY SUPPORT CLAMP	04	04	04	04	04	04	04
43	0511064433	REGULATOR SPINDLE 1-3/4	01	01	01	01	01	01	01
44	0521062849	HOSE HOLDER ASSY	01	01	01	01	01	01	01
45	0511064656	DRAWBAR PIVOT	01	01	01	01	01	01	01
46	0531018062	COUPLING SHAFT	02	02	02	02	02	02	02
47	0521040349	1-1/4" X 5.3/4" BOLT	08	08	08	08	08	08	08
47A	0501010954	1-1/4" X 5-3/4" BOLT	08	08	08	08	08	08	08
47B	0571010449	LOCK BOLT	08	08	08	08	08	08	08
47C	0571010448	SLEEVE 32,50 X 75 X 16	08	08	08	08	08	08	08
47D	0501010087	1.1/4" NUT	16	16	16	16	16	16	16
48	0531019171	1.25" X 7" COUPLING SHAFT	01	01	01	01	01	01	01
49	0531018101	1.2" X 6.3" PIVOT SHAFT	02	02	02	02	02	02	02
50	0531018105	1.2" X 11.8" PIVOT SHAFT	02	02	02	02	02	02	02
51	0541014119	COUPLING SHAFT	02	02	02	02	02	02	02
52	0521012053	1.5" X 8.6" AXLE	01	01	01	01	01	01	01
53	0541016844	FIXER LOCK	03	03	03	03	03	03	03
54	0503030285	HAIR PIN	03	03	03	03	03	03	03
55	0503010002	1800 GREASE FITTING	11	11	11	11	11	11	11
56	0503010014	3/4" NUT	45	45	45	45	45	45	45
57	0503010023	SPRING WASHER	05	05	05	05	05	05	05
58	0503011877	0.3" X 2.4" SPRING PIN	08	08	08	08	08	08	08
59	0501017779	FLAT WASHER	08	08	08	08	08	08	08
60	0501011301	1.1/2 UNC 6FPP 2.5/16 NUT	03	03	03	03	03	03	03
61	0503012555	7/16" X 2" BOLT	04	04	04	04	04	04	04
62	0503010180	7/16" SPRING WASHER	04	04	04	04	04	04	04
63	0503012195	5/8" NUT	48	52	56	60	64	68	72
64	0503010027	SPRING WASHER	64	68	72	84	88	92	96
65	0503010013	5/8" NUT	68	72	76	88	92	96	100
66	0501010500	3/4"X3"BOLT	48	52	56	60	64	68	72
67	0541010763	FLAT WASHER	96	104	112	128	132	136	
68	0503011198	C3/4" X 6" BOLT	04	04	04	04	04	04	04
69	0521012538	1.2" X 3.5" COUPLING SHAFT	01	01	01	01	01	01	01
70	0561014251	COUPLING SHAFT	01	01	01	01	01	01	01
71	0503030012	HAIR PIN	01	01	01	01	01	01	01
72	0521011565	FLAT WASHER	04	04	04	04	04	04	04
73	0503010012	1" SPRING WASHER	04	04	04	04	04	04	04
74	0503011250	1" X 2" BOLT	04	04	04	04	04	04	04
75	0501010333	1.3/4" NUT	02	02	02	02	02	02	02

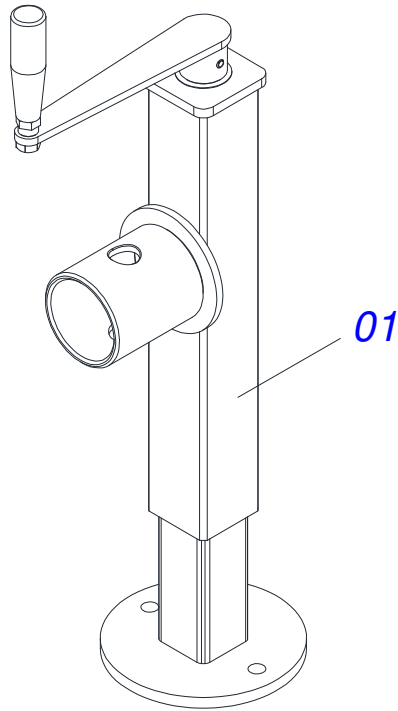


GASPCRC HD 9017  
FRAME GASPRC HD 9017 24 A 36

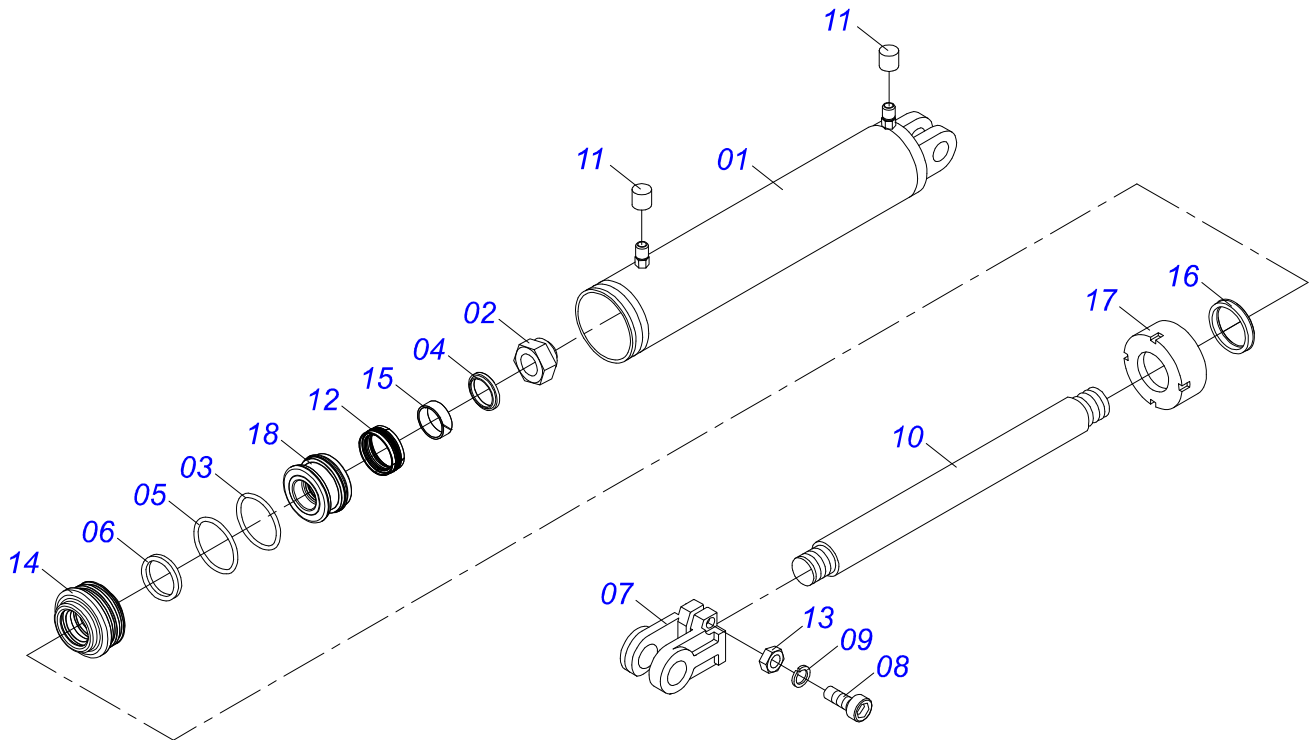
Item	Code	Description	24	26	28	30	32	34	36
76	0521062858	1.1/4" WRENCH NUT	01	01	01	01	01	01	01



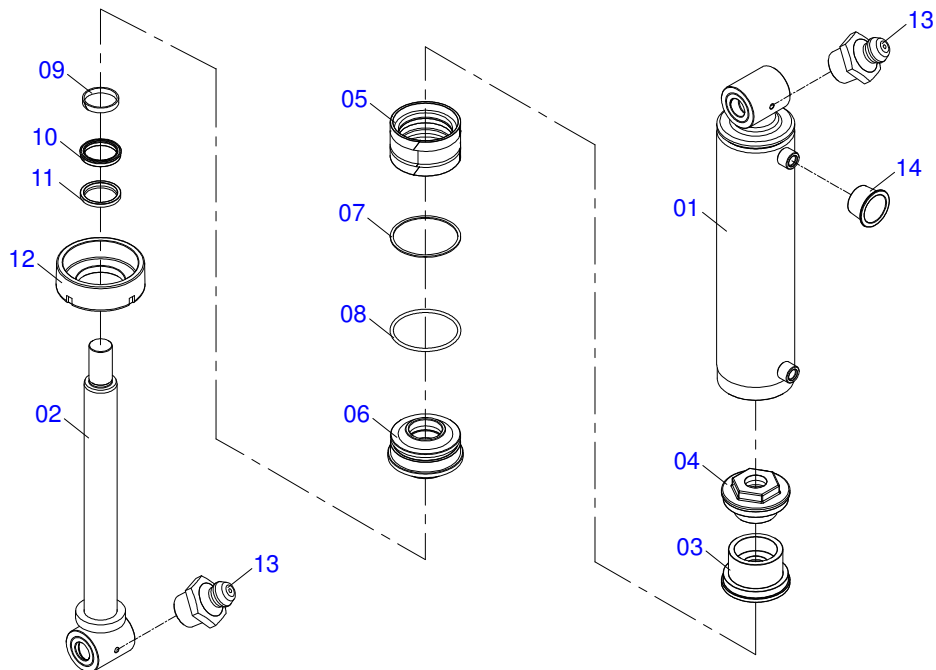
Item	Code	Description	QT
01	0551011426	POINT AXIS R2.1/2UN	01
02	0561015521	FLANGE	05
03	0501110761	CARRYING WHEEL HUB ASSY	01
04	0503010118	32218 ROLLER BEARING	02
05	0531019986	FLAT WASHER	01
06	0502040080	2.1/2" UM FLANGE NUT	01
07	0503012213	1/4" X 4 COTTERPIN	01
08	0503013548	CORK JOINT	01
09	0503013546	M10 X 1,5 X 20MM BOLT	04
10	0503013542	M10 SPRING WASHER	04
11	0503013541	SEAL	01
12	0503013549	HUB COVER	01



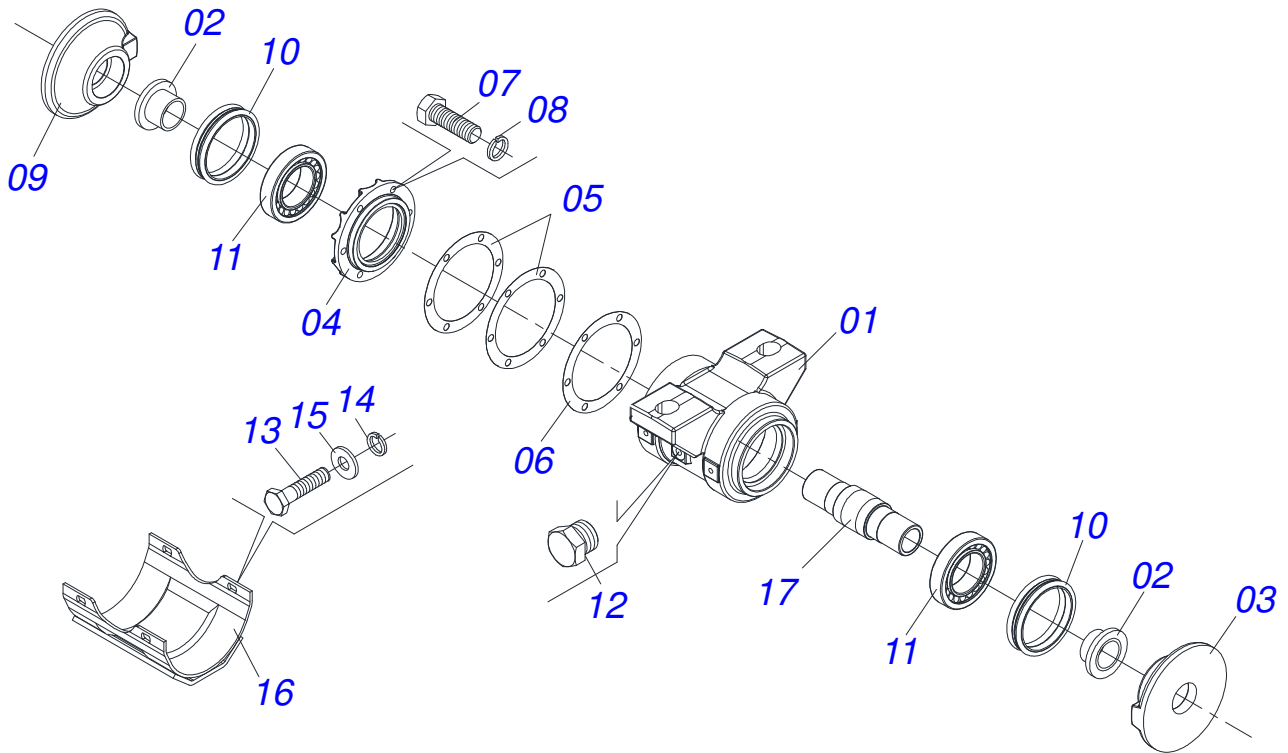
Item	Code	Description	QT
01	0503062227	DRAWBAR JACK	01



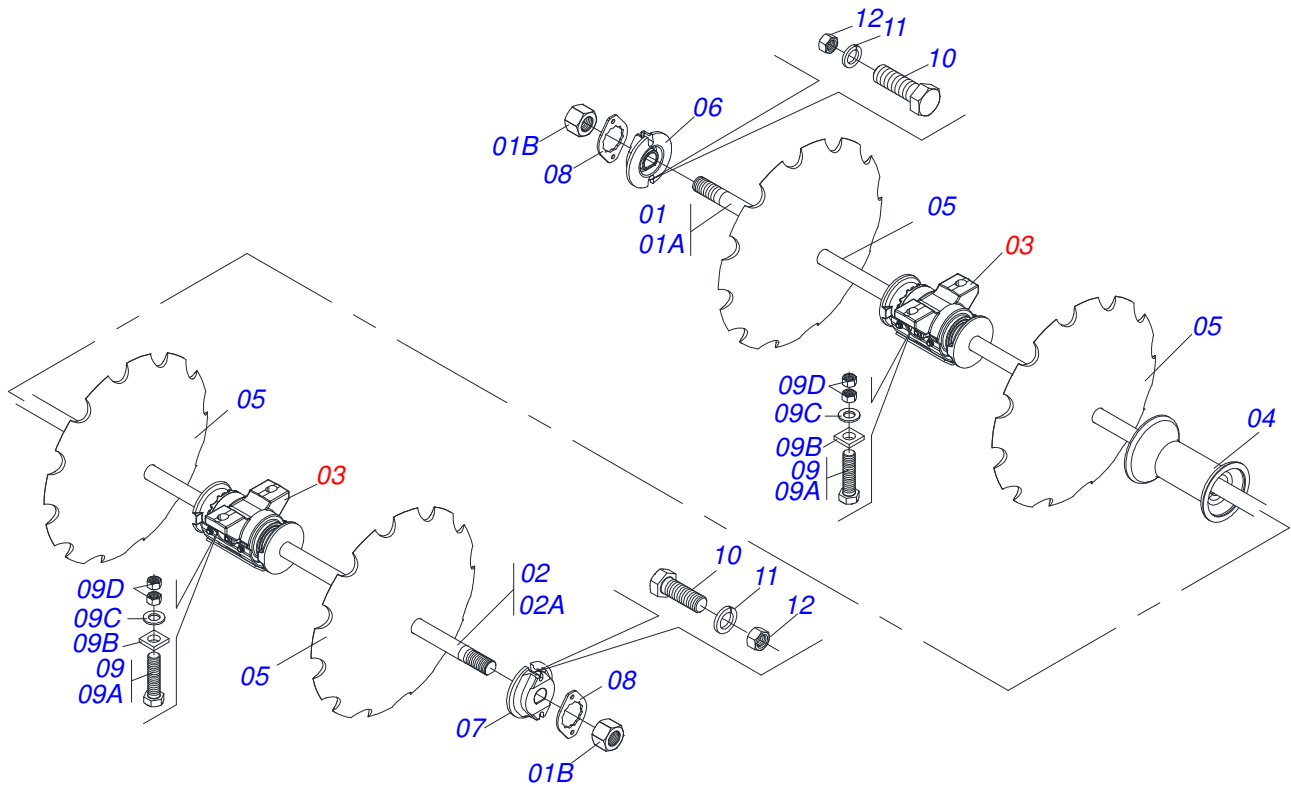
Item	Code	Description	QT
001	0511061336	101,6 X 398 CYLINDER CASE	01
002	0503010817	1-1/4" SELF-ADJUSTING NUT	01
003	0503010345	2-218 N 3006-9B O-RING	01
004	0503015636	SCRAPER SEAL	01
005	0503010338	2-342 N 3006-9B O-RING	02
006	0503011061	8-342 BACK-UP RING	02
007	0502040747	FORK	01
008	0503011094	3/8" X 2" BOLT C C S I 12.9	01
009	0503011443	SPRING WASHER	01
010	0521010422	HYDRAULIC CYLINDER TURNBUCKLE	01
011	0503030384	CON N-001 PLUG	02
012	0503015633	SELEMASTER SEALING	01
013	0503010026	3/8" NUT	01
014	0581010678	50,80 X 101 RING SUPPORT	01
015	0503018025	RING GUIDE	01
016	0503018026	1870-2000-375 B GASKET	01
017	0502012822	101,60 MOBILE COVER	01
018	0502012842	50,80 X 101,60 PISTON	01



Item	Code	Description	QT
01	0521061685	114,30 X 500 CYLINDER CASE	01
02	0521061684	56,98 X 590,50 TURNBUCKLE	01
03	0561016578	PISTON BODY	01
04	0502012643	PISTÓN BODY	01
05	0503015640	SEALING SELEMASTER	01
06	0502012644	RING SUPPORT	01
07	0503011893	8-346 BACK-UP RING	01
08	0503011892	2-346 N 3006-9B O'RING	01
09	0503015641	RING SLYDRING	01
10	0503015642	U-CUP SEALING	01
11	0503015715	SCRAPER SEALING	01
12	0502011222	0.56" MOBILE COVER	01
13	0503010002	1800 GREASE FITTING	02
14	0503030384	CON N-001 PLUG	02

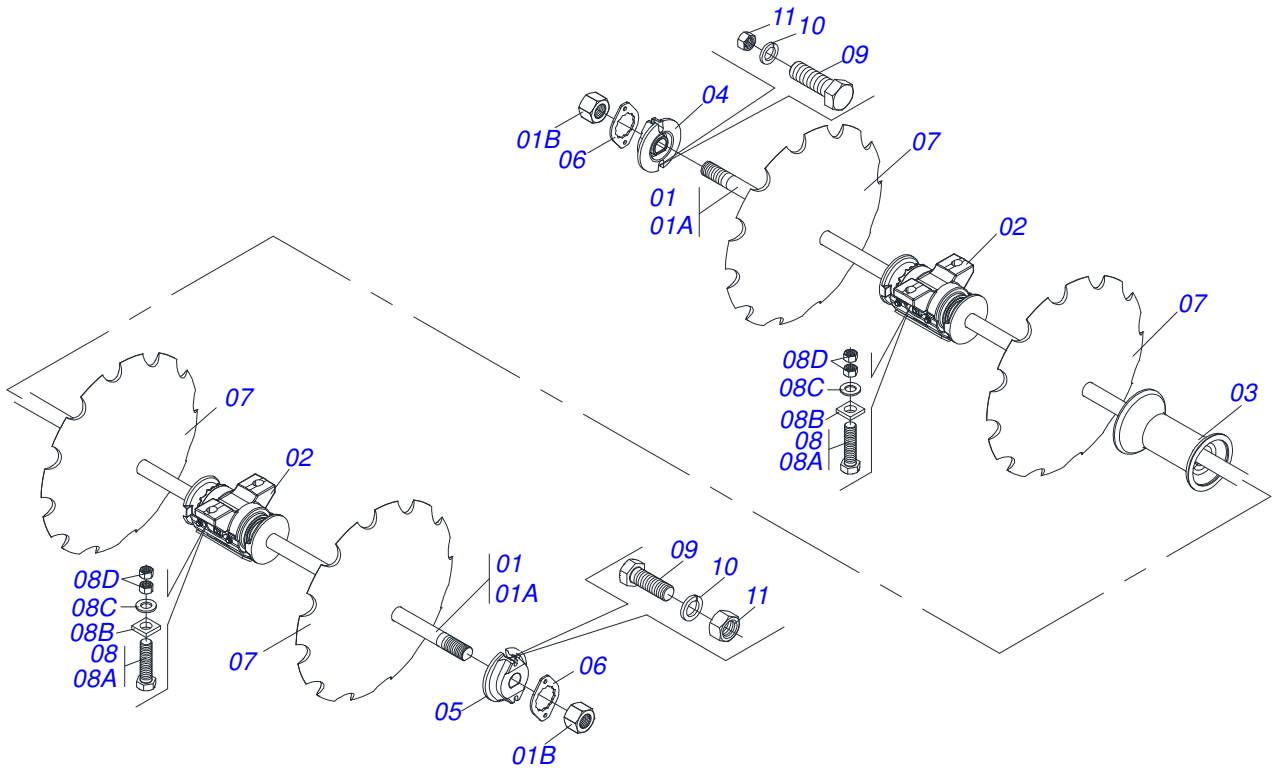


Item	Code	Description	QT
01	0502012415	HOUSING BEARING	01
02	0502040119	SEAL RETAINER	02
03	0502040165	INNER FLANGE	01
04	0502010644	HOUSING CAP DM	01
05	0503030537	8.3" X 6.3" X 0.01" JOINT	02
06	0503030687	8.3" X 6.3" X 0.004" JOINT	01
07	0503010920	1/2" X 1.1/2" BOLT	06
08	0503011440	SPRING WASHER	06
09	0502040164	OUTER FLANGE	01
10	0503030029	SEAL # LP JB-259	08
11	0503013243	32218 ROLLER BEARING	02
12	0503010856	OIL PLUG	02
13	0503010834	1/2 X 1 BOLT	04
14	0503010019	1/2" SPRING WASHER	04
15	0511017302	FLAT WASHER	04
16	0521062889	PROTECTION CAP	01
17	0502040039	AXLE	01

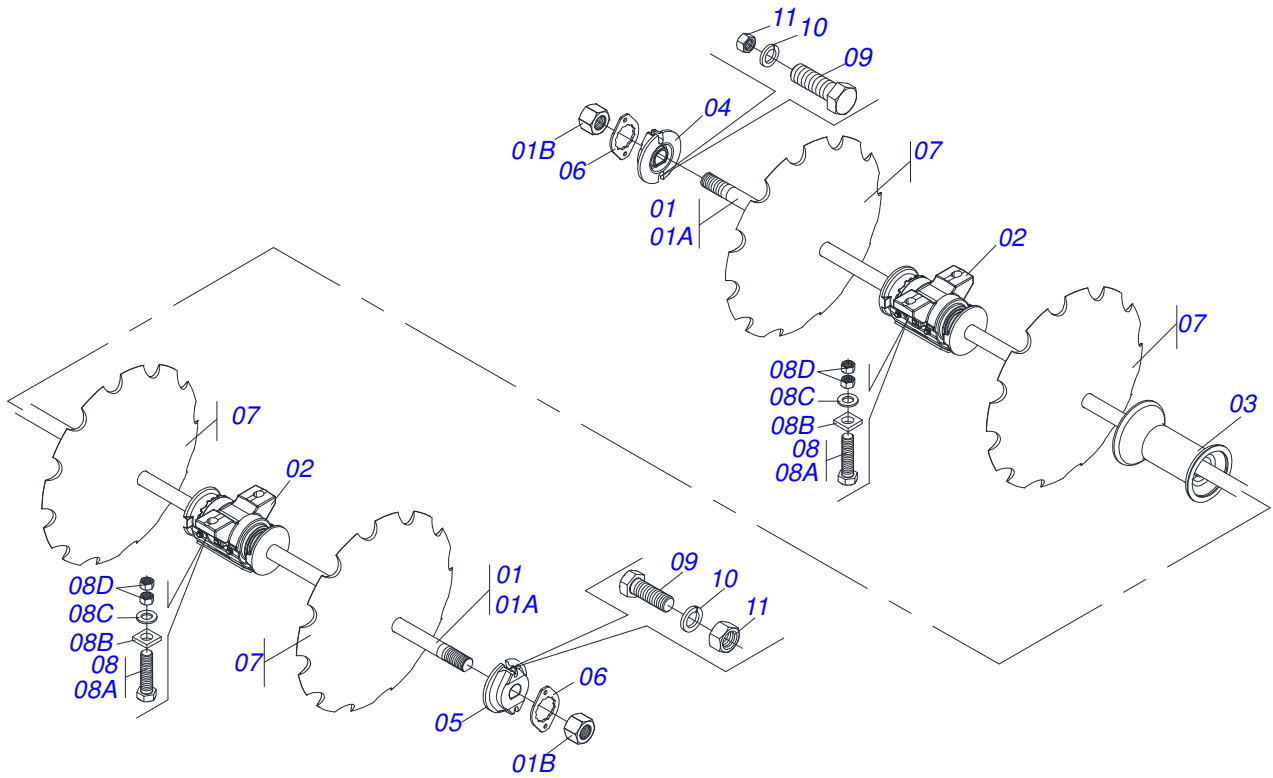


Item	Code	Description	QT
01	0501040693	2-1/2" X 63" AXLE WITH NUTS	02
01A	0501010358	2-1/2" X 63" AXLE	02
01B	0502040064	2.1/2"SNC X 70 99 NUT	08
02	0501040690	2-1/2" X 80" AXLE WITH NUTS	02
02A	0501010357	2-1/2" X 80" AXLE	02
03	0521041291	OIL 430 X 2.1/2 BEARING ASSY	08
04	0502012220	2-1/2" X 17" SPACER	06
05	0602048051	36" X 12MM NOTCHED DISC BLADE	18
06	0502010592	2-1/2" INNER AXLE WASHER	04
07	0502010593	2-1/2" EXTERNAL AXLE WASHER	04
08	0541010368	NUT LOCK	08
09	0501041301	1-1/4"X 5-3/4" ASSY BOLT	16
09A	0501010954	1-1/4" X 5-3/4" BOLT	16
09B	0501010953	1-1/4" SQUARE WASHER	16
09C	0531010713	FLAT WASHER	16
09D	0501010087	1.1/4" NUT	32
10	0503010232	5/8" X 1.3/4" BOLT	16
11	0503010027	SPRING WASHER	16
12	0503010013	5/8" NUT	16

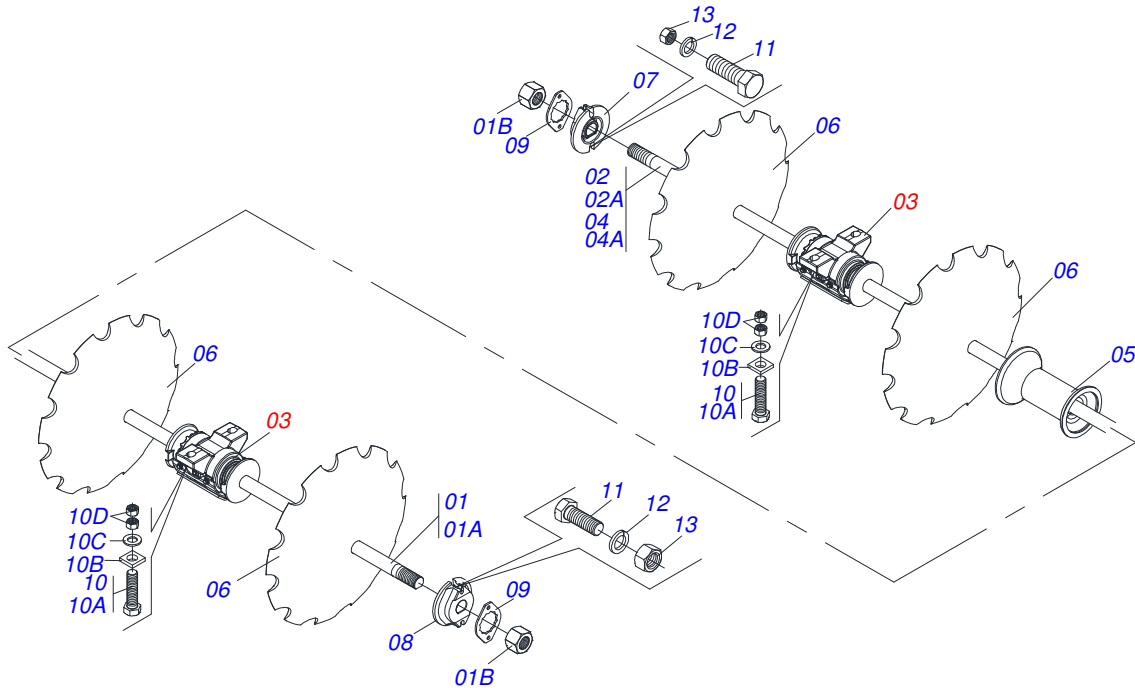




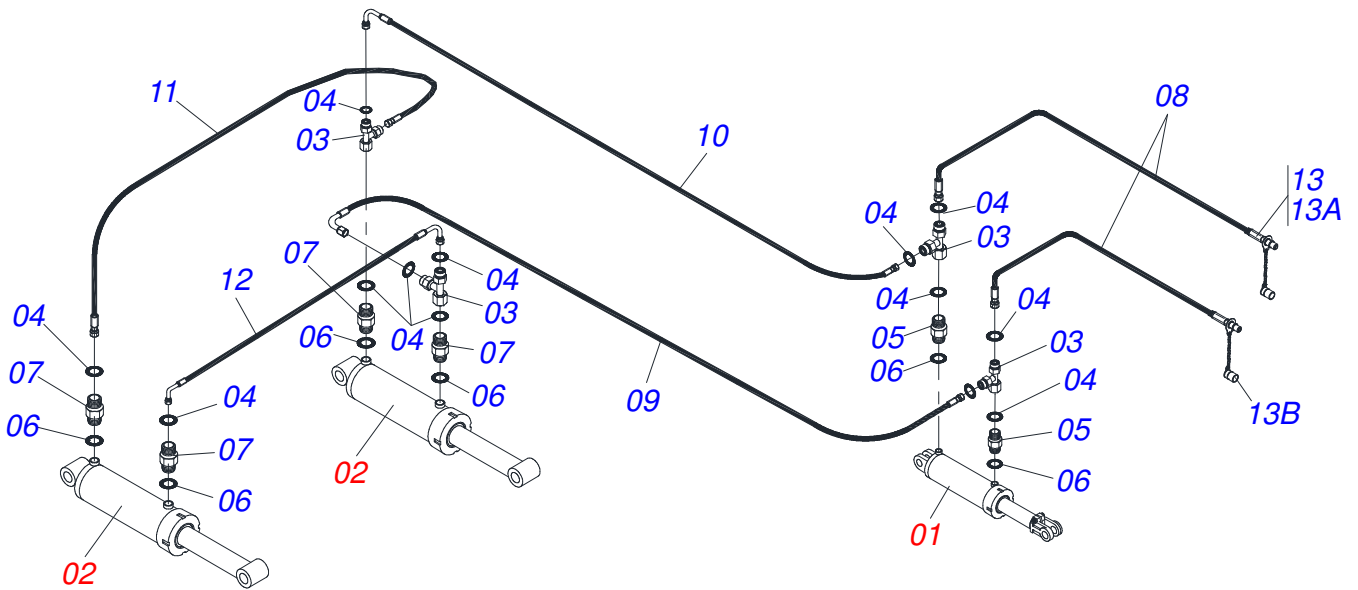
Item	Code	Description	QT
01	0501040693	2-1/2" X 63" AXLE WITH NUTS	04
01A	0501010358	2-1/2" X 63" AXLE	04
01B	0502040064	2.1/2"SNC X 70 99 NUT	08
02	0521041291	OIL 430 X 2.1/2 BEARING ASSY	08
03	0502012220	2-1/2" X 17" SPACER	04
04	0502010592	2-1/2" INNER AXLE WASHER	04
05	0502010593	2-1/2" EXTERNAL AXLE WASHER	04
06	0541010368	NUT LOCK	08
07	0602048051	36" X 12MM NOTCHED DISC BLADE	16
08	0501041301	1-1/4"X 5-3/4" ASSY BOLT	16
08A	0501010954	1-1/4" X 5-3/4" BOLT	16
08B	0501010953	1-1/4" SQUARE WASHER	16
08C	0531010713	FLAT WASHER	16
08D	0501010087	1.1/4" NUT	32
09	0503010232	5/8" X 1.3/4" BOLT	16
10	0503010027	SPRING WASHER	16
11	0503010013	5/8" NUT	16



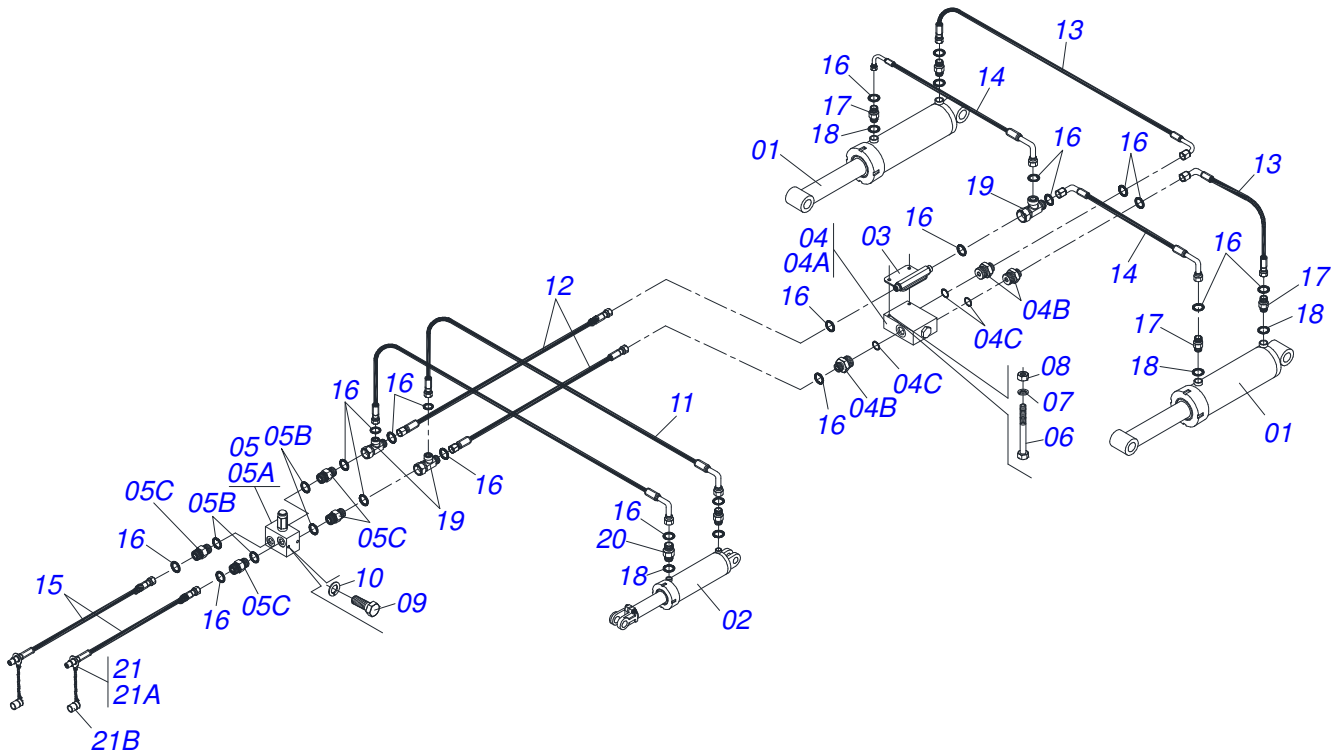
Item	Code	Description	QT
01	0501040690	2-1/2" X 80" AXLE WITH NUTS	04
01A	0501010357	2-1/2" X 80" AXLE	04
01B	0502040064	2.1/2"SNC X 70 99 NUT	08
02	0521041291	OIL 430 X 2.1/2 BEARING ASSY	08
03	0502012220	2-1/2" X 17" SPACER	08
04	0502010592	2-1/2" INNER AXLE WASHER	04
05	0502010593	2-1/2" EXTERNAL AXLE WASHER	04
06	0541010368	NUT LOCK	08
07	0602048051	36" X 12MM NOTCHED DISC BLADE	20
08	0501041301	1-1/4"X 5-3/4" ASSY BOLT	16
08A	0501010954	1-1/4" X 5-3/4" BOLT	16
08B	0501010953	1-1/4" SQUARE WASHER	16
08C	0531010713	FLAT WASHER	16
08D	0501010087	1.1/4" NUT	32
09	0503010232	5/8" X 1.3/4" BOLT	16
10	0503010027	SPRING WASHER	16
11	0503010013	5/8" NUT	16



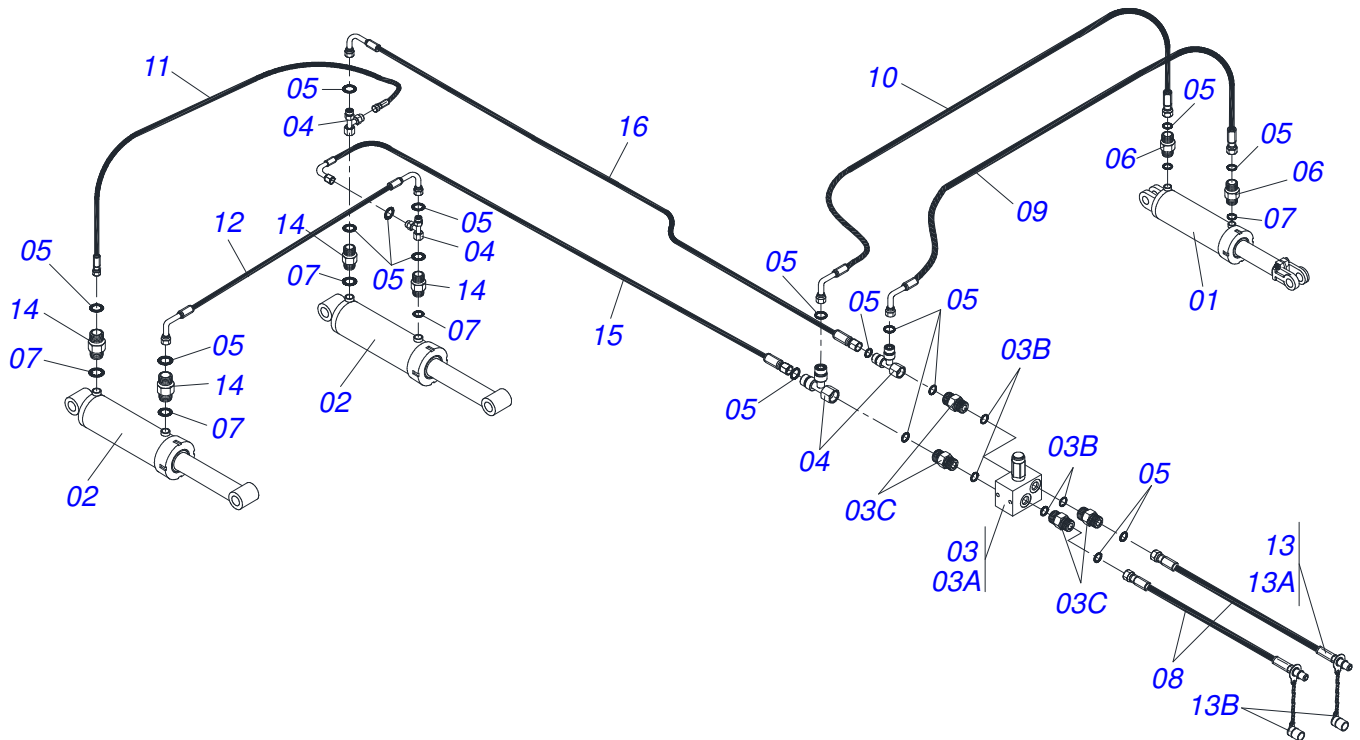
Item	Code	Description	24	26	28	30	32	34	36
01	0521044750	AXLE WITH NUTS	04	02	00	00	02	04	06
01A	0571017335	AXLE	04	02	00	00	02	04	06
01B	0502040064	2-1/2"SNC X 70 99 NUT	08	08	08	12	12	12	12
02	0501040690	2-1/2" X 80" AXLE WITH NUTS	00	00	00	06	04	02	00
02A	0501010357	2-1/2" X 80" AXLE	00	00	00	06	04	02	00
03	0521041291	OIL 430 X 2.1/2 BEARING ASSY	08	08	08	12	12	12	12
04	0521044749	AXLE WITH NUTS	00	02	04	00	00	00	00
04A	0571017336	AXLE	00	02	04	00	00	00	00
05	0502012220	2-1/2" X 17" SPACER	12	14	16	12	14	16	18
06	0602048062	36 X 12MM NOTCHED DISC	24	26	28	30	32	34	36
07	0502010592	2-1/2" INNER AXLE WASHER	04	04	04	06	06	06	06
08	0502010593	2-1/2" EXTERNAL AXLE WASHER	04	04	04	06	06	06	06
09	0541010368	NUT LOCK	08	08	08	06	12	12	12
10	0501041301	1-1/4"X 5-3/4" ASSY BOLT	16	16	16	16	16	16	16
10A	0501010954	1-1/4" X 5-3/4" BOLT	16	16	16	16	16	16	16
10B	0501010953	1-1/4" SQUARE WASHER	16	16	16	16	16	16	16
10C	0531010713	FLAT WASHER	16	16	16	16	16	16	16
10D	0501010087	1.1/4" NUT	32	32	32	32	32	32	32
11	0503010232	5/8" X 1.3/4" BOLT	16	16	16	24	24	24	24
12	0503010027	SPRING WASHER	64	68	72	84	88	92	96
13	0503010013	5/8" NUT	68	72	76	88	92	96	100



Item	Code	Description	QT
01	0511058419	HYDRAULIC CYLINDER	01
02	0511048619	HYDRAULIC CYLINDER	02
03	0503013637	T 1/2" MALE ADAPTER	04
04	0503011030	2-014 N 3006-9B O-RING	12
05	0503032031	3/4" UNF REDUCTION NIPPLE	02
06	0503010190	2-114 N 3006-9B O-RING	06
07	0503030923	3/4" UNF X 13/16UN OFS X 40 NIPPLE	04
08	0501080917	1/2" X 5500 TR-TM HOSE ASSY	02
09	0501081935	1/2 X 4700 TR-TC TERM OFS HOSE	01
10	0501081075	1/2" X 4000 TR-TC HOSE ASSY	01
11	0501081114	1/2 X 1330 TR-TR HOSE ASSY	01
12	0501081620	1/2" X 1700 TC-TC HOSE	01
13	0501053834	QUICK CONECTION (MALE) 1/2	02
13A	0503011627	QUICK CONNECTION (MALE) AGR 1/2 NPT	02
13B	0503011882	QUICK CONNECTION COVER	02



Item	Code	Description	QT
01	0511048619	HYDRAULIC CYLINDER	02
02	0511058419	HYDRAULIC CYLINDER	01
03	0521062967	OIL TUBE DISTRIBUTOR	01
04	0511051627	FLOW DIVIDING VALVE	01
04A	0503016227	FLOW DIVIDING VALVE	01
04B	0571010736	NIPPLE R1.1/16 UN X 13/16UN OFS	03
04C	0503011109	2-119 N 3006-9B O-RING	03
05	0501055696	DISCHARGE VALVE OFS ASSY	01
05A	0503010919	DISCHARGE VALVE	01
05B	0503010190	2-114 N 3006-9B O-RING	04
05C	0503030923	3/4" UNF X 13/16UN OFS X 40 NIPPLE	04
06	0503011053	5/16" X 3" C S 6.5 ZN BOLT	02
07	0503010179	SPRING WASHER	02
08	0503010337	5/16" NUT	02
09	0503010237	3/8" X 1" BOLT	02
10	0503010025	3/8 SPRING WASHER	02
11	0501081707	1/2" X 1000 TC-TR OFS HOSE	01
12	0501081708	1/2" X 2300 TR-TR OFS HOSE	02
13	0501081115	1/2" X 1330 TC-TR HOSE ASSY	03
14	0501081116	1/2 X 1630 TC-TC HOSE ASSY	02
15	0501080917	1/2" X 5500 TR-TM HOSE ASSY	02
16	0503011030	2-014 N 3006-9B O-RING	21
17	0503030923	3/4" UNF X 13/16UN OFS X 40 NIPPLE	08
18	0503010190	2-114 N 3006-9B O-RING	06
19	0503013637	T 1/2" MALE ADAPTER	03
20	0503032031	3/4" UNF REDUCTION NIPPLE	02
21	0501053834	QUICK CONECTION (MALE) 1/2	02
21A	0503011627	QUICK CONNECTION (MALE) AGR 1/2 NPT	01
21B	0503011882	QUICK CONNECTION COVER	01



Item	Code	Description	QT
01	0511058419	HYDRAULIC CYLINDER	01
02	0511048619	HYDRAULIC CYLINDER	02
03	0501055696	DISCHARGE VALVE OFS ASSY	01
03A	0503010919	DISCHARGE VALVE	01
03B	0503010190	2-114 N 3006-9B O'RING	04
03C	0503030923	3/4" UNF X 13/16UN OFS X 40 NIPPLE	04
04	0503013637	T 1/2" MALE ADAPTER	04
05	0503011030	2-014 N 3006-9B O'RING	16
06	0503032031	3/4" UNF REDUCTION NIPPLE	02
07	0503010190	2-114 N 3006-9B O'RING	06
08	0501080917	1/2" X 5500 TR-TM HOSE ASSY	02
09	0501081935	1/2 X 4700 TR-TC TERM OFS HOSE	01
10	0501081075	1/2" X 4000 TR-TC HOSE ASSY	01
11	0501081114	1/2 X 1330 TR-TR HOSE ASSY	01
12	0501081620	1/2" X 1700 TC-TC HOSE	01
13	0501053834	QUICK CONECTION (MALE) 1/2	02
13A	0503011327	3/4" X 2" BOLT	02
13B	0503011882	QUICK CONNECTION COVER	02
14	0503030923	3/4" UNF X 13/16UN OFS X 40 NIPPLE	04
15	0501081115	1/2" X 1330 TC-TR HOSE ASSY	01
16	0501081707	1/2" X 1000 TC-TR OFS HOSE	01





email: [civemasa@civemasa.com.br](mailto:civemasa@civemasa.com.br)

[www.civemasa.com.br](http://www.civemasa.com.br)

Phone: +55 16.3382.8222

Fax: +55 16.3382.8355

## MARCHESAN IMPLEMENTOS E MÁQUINAS AGRÍCOLAS "TATU" S.A.

Av. Marchesan, 1979 - Post Office box, 131 - Cep 15994-900 - Matão - Sp - Brasil

CNPJ 52.311.289/0001-63 | Inst. Est.441.000.151.114

**Technical Publications: Elaboration**

MARINA PEREZ NIZA

**Technical Publications: Revision**

MARINA PEREZ NIZA

*Contact Catálogo:*

*E-mail = [jgaspari@marchesan.com.br](mailto:jgaspari@marchesan.com.br)*

**ORIGINAIS PARTS  
CIVEMASA**

