

DISK HARROWS

GACCRL - 14/16/18/20/22/24/26/29D

Code: 0501091642
Series: S-1091
Revision: 00
Revision Date: AGOSTO/2021

PARTS CATALOGUE

CIVEMASA

PRODUCTS

Code	Description
0120700030C	GACCRL 14 X 24 X 6,0 DR 61570129 EXP S-1091
0120700030	GACCRL 14X24X6,0 R DESM 61570129
0120700031C	GACCRL 16X24X6,0 DR DM 61570139 EXP S-1091
0120700031	GACCRL 16X24X6,0 R DM DESM 61570139
0120700026	GACCRL 16X26X4,75 R DM DES 61570083
0120700024	GACCRL 16X26X6,0 R DM DES 61750065 S-0910
0120700024C	GACCRL 16X26X6,0 R DM EXP DES 61750065 S-1091
0120700079	GACCRL 18 X 26 X 4,75 CM S-1091
0120700023C	GACCRL 18 X 26 X 6,0 R DM 61570056 EXP S-1091
0120700021C	GACCRL 18X24X6,0 DR DM 61570047 EXP S-1091
0120700021	GACCRL 18X24X6,0 R DM DES 61570047
0120700027	GACCRL 18X26X4,75 R DM DES 61570092
0120700023	GACCRL 18X26X6,0 R DM DESM 61570056
0120700080	GACCRL 20 X 26 X 4,75 CM S-1091
0120700022	GACCRL 20X24X6,0 R DM DES 61570038
0120700028	GACCRL 20X26X4,75 R DM DES 61570101 S-1091
0120700004C	GACCRL 20X26X6,0 R DM DESM 61570019 EXP S-1091
0120700004	GACCRL 20X26X6,0 R DM DESM 61570019 S-1091
0120700029	GACCRL 22X26X4,75 R DM DES 61570110
0120700025C	GACCRL 22X26X6,0 DR DM 61570074 EXP S-1091
0120700025	GACCRL 22X26X6,0 R DM DESM 61570074 S-1091
0120700044C	GACCRL 24X24X6,0 DR DM 61570157 EXP S-1091
0120700044	GACCRL 24X24X6,0 R DM DES 61570157
0120700041	GACCRL 24X26X4,75 R DM
0120700008	GACCRL 24X26X6,0 R DM DES 61570029
0120700008C	GACCRL 24X26X6,0 R DM DES 61570029 S-1091
0120700061C	GACCRL 26 X 24 X 6,00 DM C/ET EXP S-1091
0120700061	GACCRL 26 X 24 X 6,00 DM C/ET S-1091
0120700066	GACCRL 29X24X4,75 R DM C/P 61570220
0120700100C	GACCRL 6009 16X24X4,75 DR C/ PROT EXP S-1091

ATTENTION: IMPORTANT

Civemasa reserves the right to improve and / or modify the technical features of its products, without obligation to do the same with those products already sold and without prior knowledge of the dealer or the consumer.


PRODUCTS

0120700100

GACCRL 6009 16X24X4,75 R DM C/ PROT S-1091

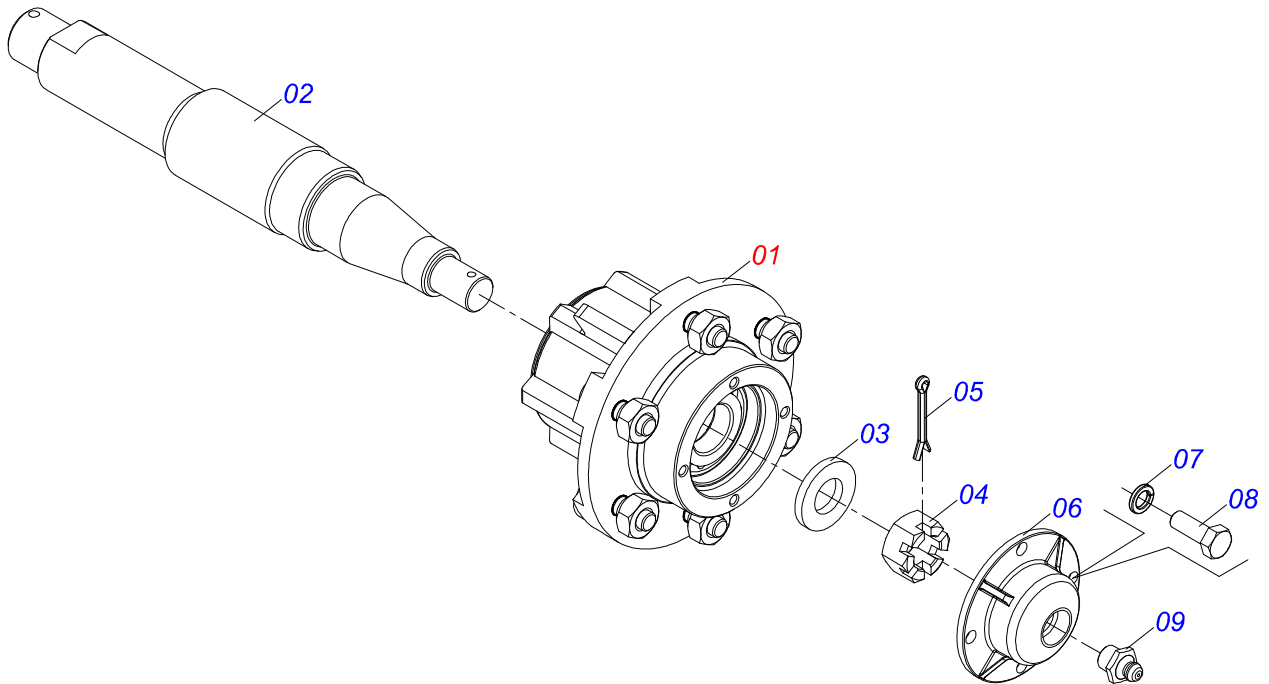
ATTENTION: IMPORTANT

Civemasa reserves the right to improve and / or modify the technical features of its products, without obligation to do the same with those products already sold and without prior knowledge of the dealer or the consumer.

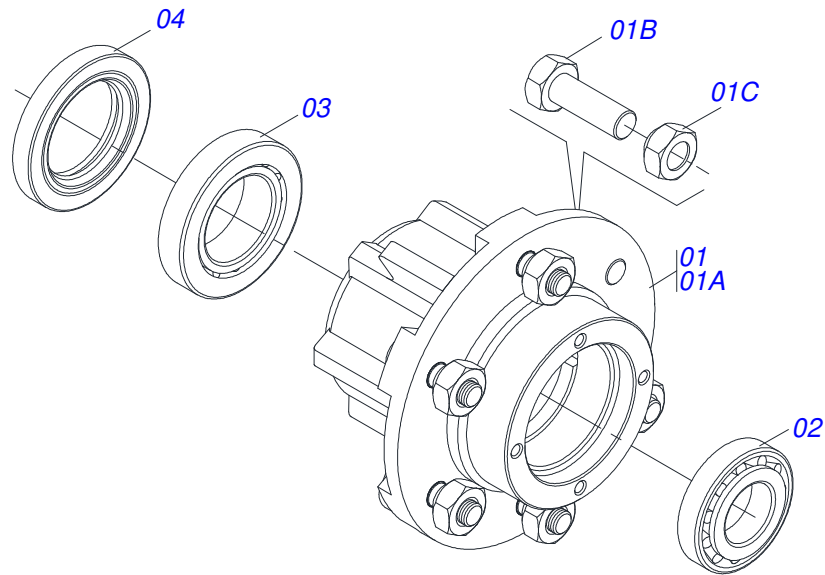


INDEX

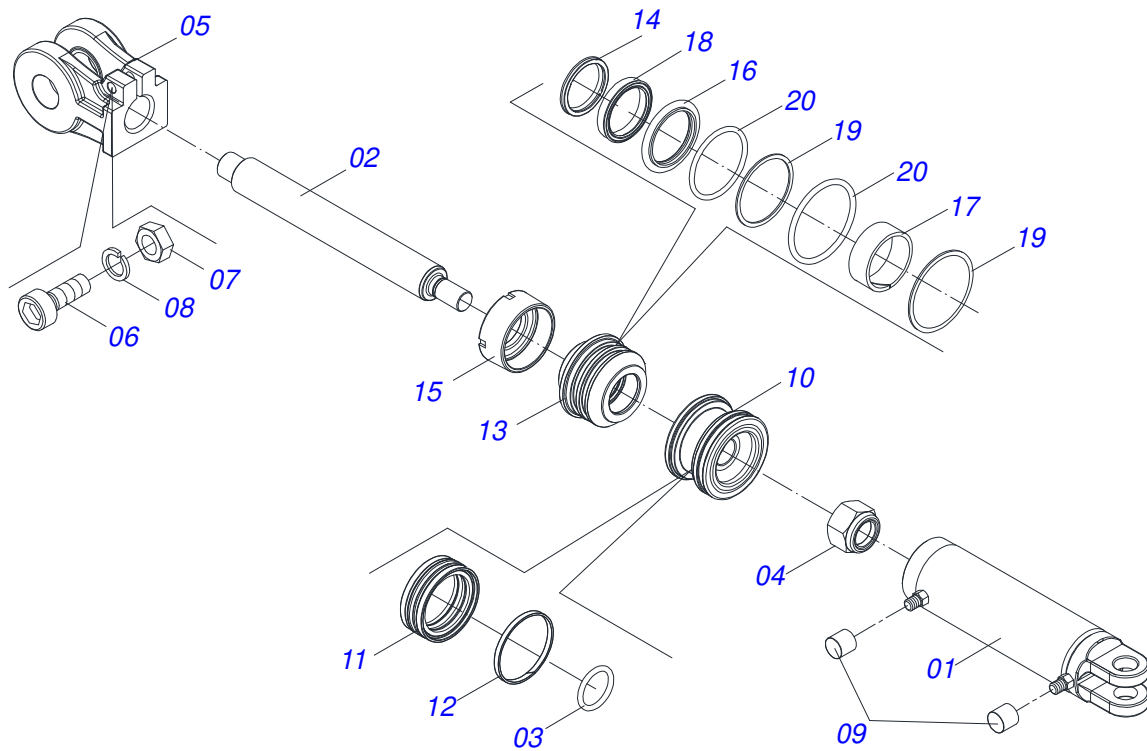
0909094673	ASSY FRAME - 14/16/18/20/22/24/26/29D	1
0501051634	TSTUB SHAFT & HUB ASSY	2
0501051142	CARRYING WHEEL HUB	3
0511058298	HYDRAULIC CYLINDER	4
0511059180	HYDRAULIC CYLINDER	5
0501041096	DRAWBAR ASSY	6
0501053834	MALE QUICK COUPLER WITH CAP - 1/2 NPT	7
0503060094	WHEEL AND TIRE ASSY	8
0503060091	L29.5"X0.63"-10L WHEEL AND	9
0501040257	3/4 X 1200 HOSE HOLDER A	10
0909094674	GANG DISC - 14/16/18/19/20/21/22/23/24/25/26/29D	11
0501044315	9" X 1-1/2" OIL BATH BEARING	12
0501046311	OIL BATH BEARING	13
0501043030	225MM X 1.1/2" RD. OIL BATH BEARING	14



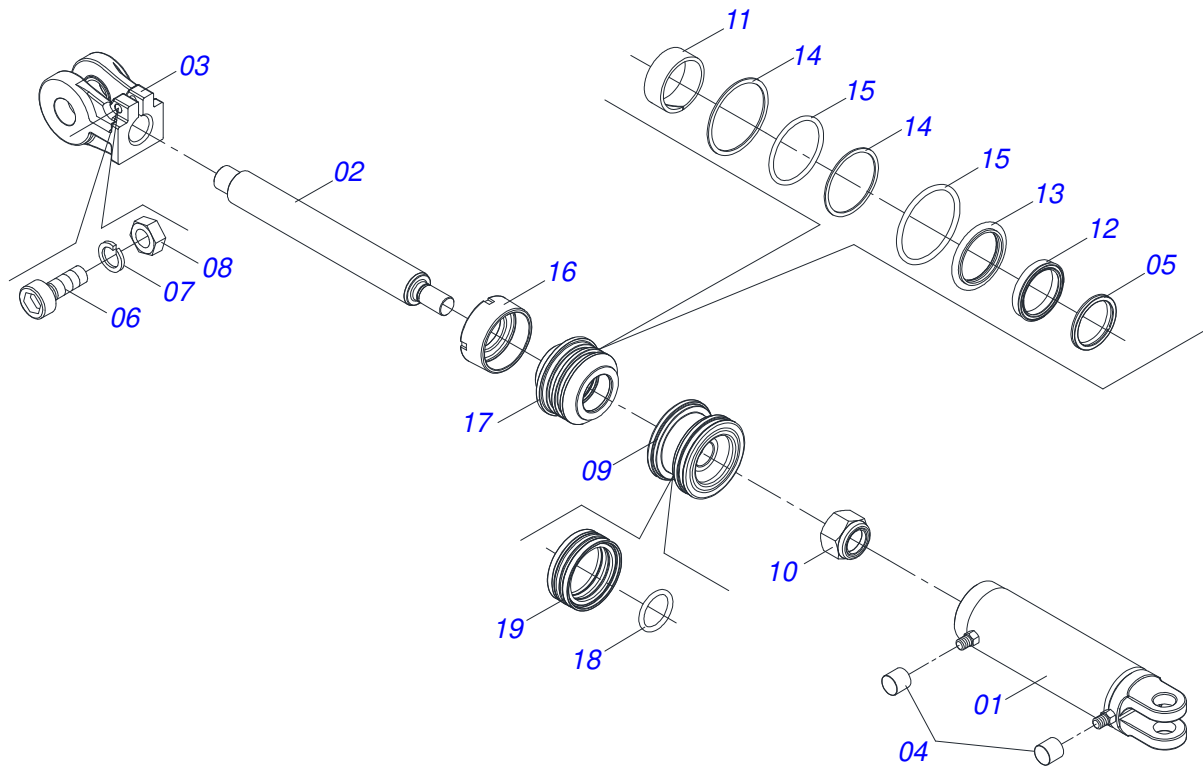
Item	Code	Description	See page	QT
01	0501051142	CARRYING WHEEL HUB	3	01
02	0521010821	2.5" X 16.5" AXLE		01
03	0501016545	FLAT WASHER		01
04	0503030009	1" CASTLE NUT		01
05	0503010018	5/32 X 1-1/2 COTTERPIN		01
06	0502020591	PROTECCION COVER		01
07	0503011444	SPRING WASHER		04
08	0503010358	5/16" X 5/8" BOLT		04
09	0503010002	1800 GREASE FITTING		01



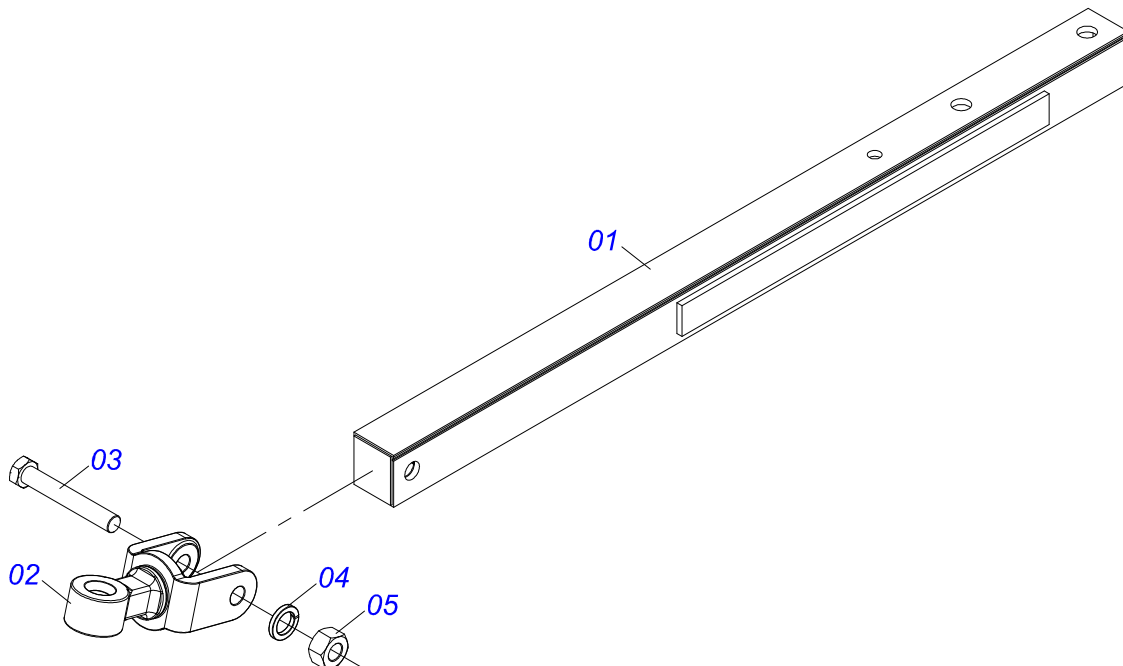
Item	Code	Description	See page	QT
01	0501110728	WHEEL HUB		01
01A	0502011121	CARRYING WHEEL HUB		01
01B	0501010127	9/16" X 1-7/8" LUG BOLT		06
01C	0503010035	9/16" CONIC NUT		06
02	0503010037	30207 ROLLER BEARING		01
03	0503010006	32210 ROLLER BEARING		01
04	0503012928	SEAL		01



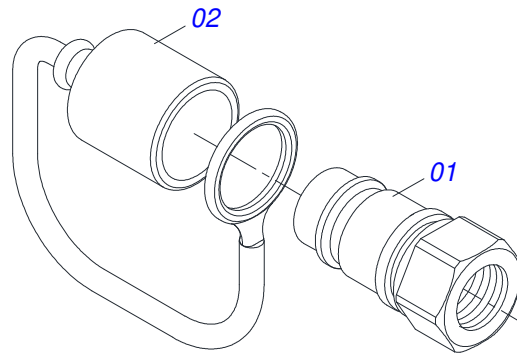
Item	Code	Description	See page	QT
001	0511061588	3.4" X 16" CYLINDER CASE		01
002	0521010421	HYDRAULIC CYLINDER TURNBUCKLE		01
003	0503010042	2-214 N 3006-9B O'RING		01
004	0503010063	1" SELF-ALIGNING NUT		01
005	0502040747	32.54 CLEVIS CLAMP		01
006	0503011094	3/8" X 2" BOLT		01
007	0503010026	3/8" NUT		01
008	0503010025	3/8" SPRING WASHER		01
009	0503030385	CYLINDER PLUG N-002		02
010	0571019710	1.7" X 3.4" PISTON		01
011	0503017935	RING		01
012	0503018144	RING		01
013	0571019711	RING SUPPORT		01
014	0503010761	D-1750 SCRAPER RING		01
015	0571019709	DETACHABLE COVER		01
016	0503017936	RING		01
017	0503017938	RING GUIDE		01
018	0503017937	GASKET		01
019	0503017940	8-337 BACK-UP RING		02
020	0503017939	2-337 N 3006-9B O' RING		02



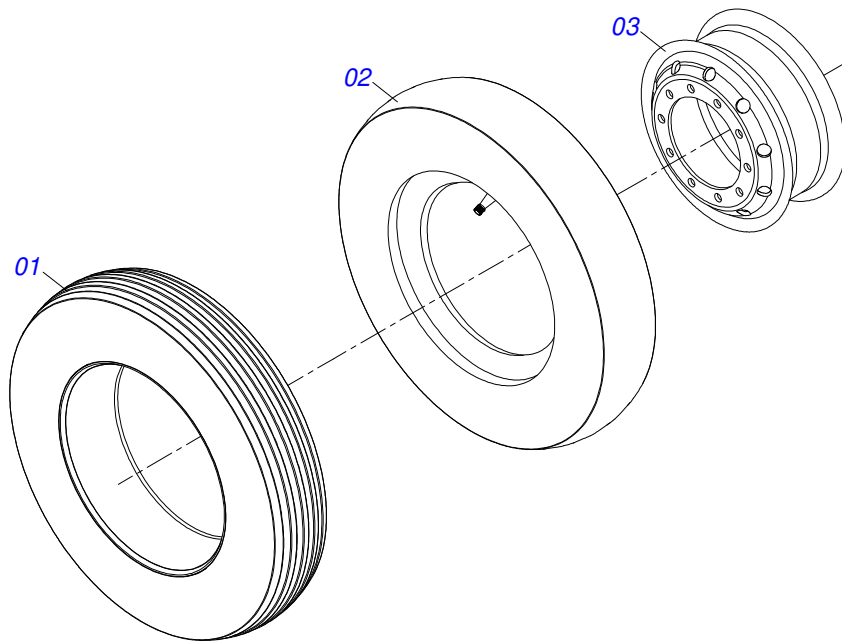
Item	Code	Description	See page	QT
01	0511070658	CYLINDER CASE	01	01
02	0571019958	HYDRAULIC CYLINDER TURNBUCKLE	01	01
03	0502040747	32.54 CLEVIS CLAMP	01	01
04	0503030385	CYLINDER PLUG N-002	02	02
05	0503010039	D-2000 SCRAPER RING	01	01
06	0503011094	3/8" X 2" BOLT	01	01
07	0503011443	3/8" SPRING WASHER	01	01
08	0503010026	3/8" NUT	01	01
09	0502012820	50.80 X 101.60 PISTON	01	01
10	0503010817	1.1/4" SELF LOCKING NUT	01	01
11	0503018025	RING GUIDE	01	01
12	0503018026	1870-2000-375 B GASKET	01	01
13	0503018024	RING BS	01	01
14	0503010338	2-342 N 3006-9B O'RING	02	02
15	0503011061	8-342 BACK-UP RING	02	02
16	0502012822	101.60 END CAP	01	01
17	0502012821	50.80 X 101.60 RING SUPPORT	01	01
18	0503018029	2-217 O'RING	01	01
19	0503015633	SELEMASTER SEALING	01	01



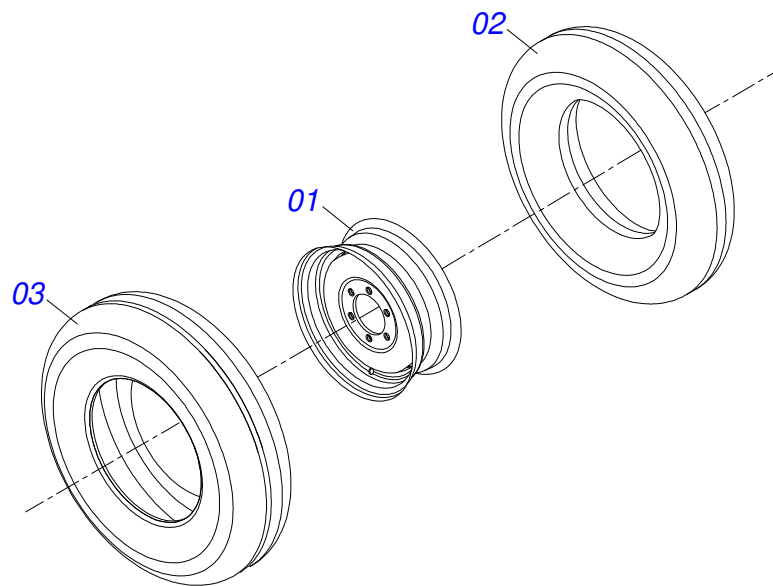
Item	Code	Description	See page	QT
01	0501060188	DRAWBAR ASSY		01
02	0521061775	TRACTOR HITCH		01
03	0501010060	1" X 6-1/2" BOLT		01
04	0503011438	SPRING WASHER		01
05	0501010059	1.5/8 NUT		01



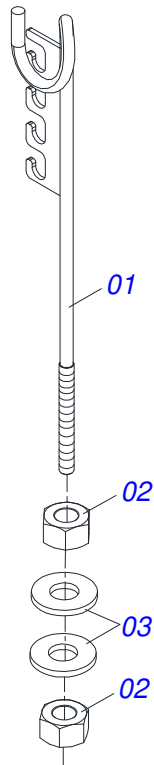
Item	Code	Description	See page	QT
01	0503011627	MALE QUICK COUPLER AGR 1/2 NPT		01
02	0503011882	MALE QUICK COUPLER CAP		01



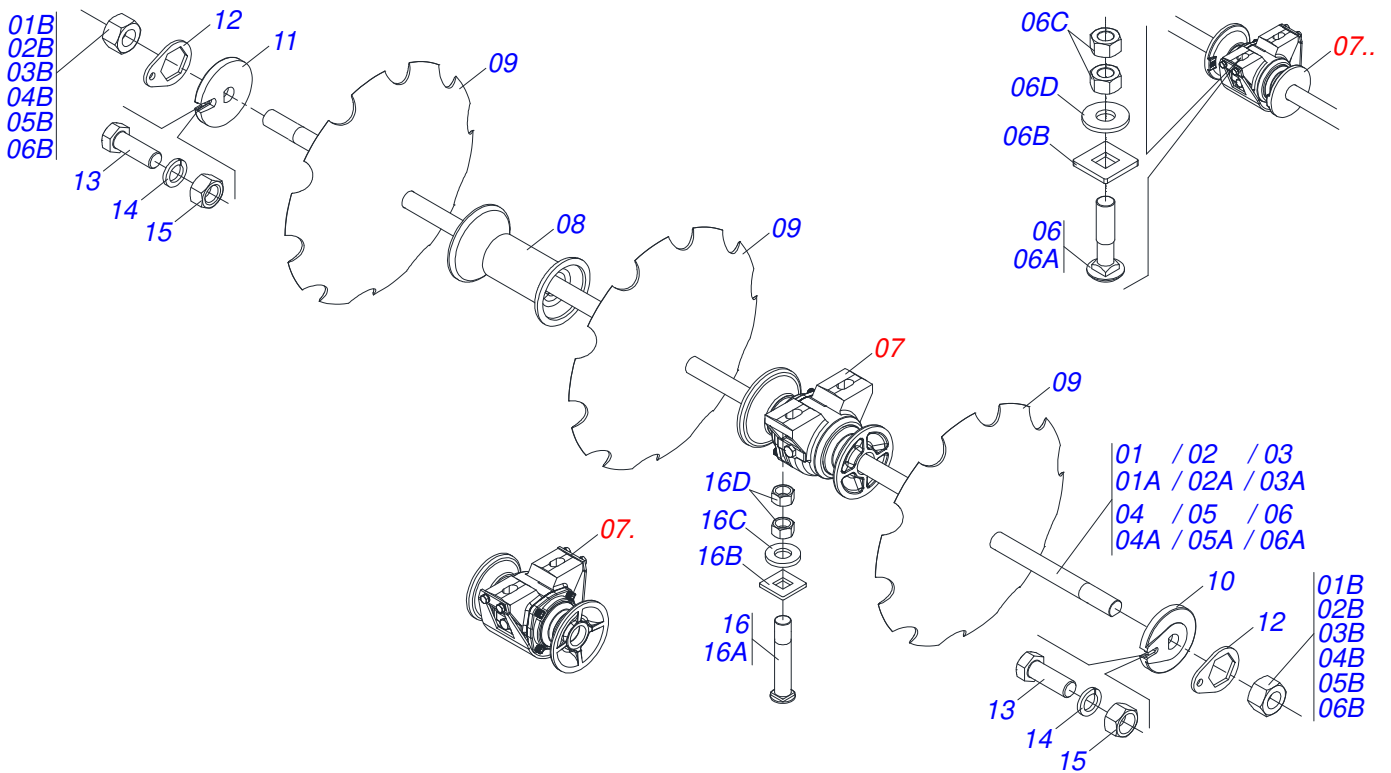
Item	Code	Description	See page	QT
01	0503010065	CANVAS TIRE		01
02	0503010068	6.00 X 16 INNER TIRE		01
03	0503010894	0.2"X0.6"X4.6"X6F0.6"X6" WHEEL		01



Item	Code	Description	See page	QT
01	0503010893	WHEEL		01
02	0503010033	7.50 X 16 INNER TIRE		01
03	0503010120	CANVAS TIRE		01

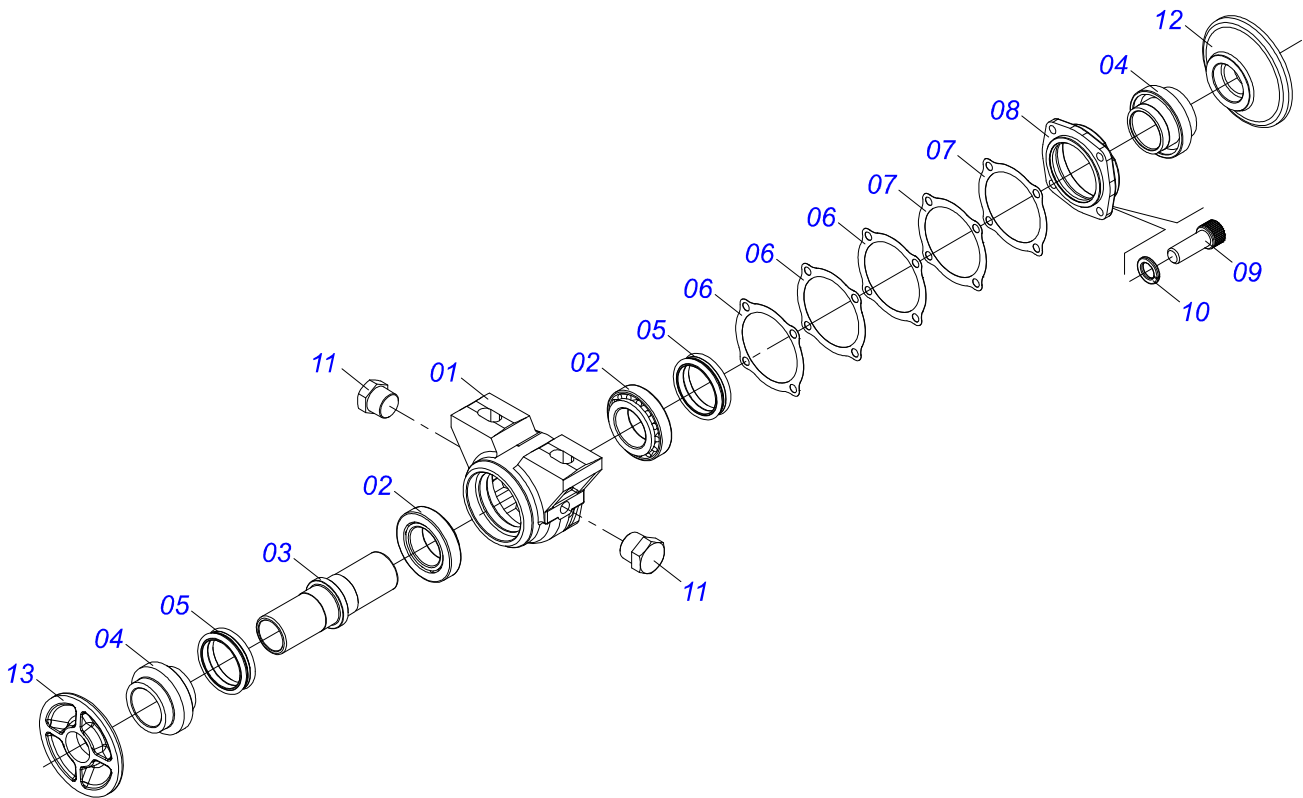


Item	Code	Description	See page	QT
01	0511067334	HOSE SOPPORT ASSY		01
02	0503010014	3/4" NUT		02
03	0501010322	FLAT WASHER		02

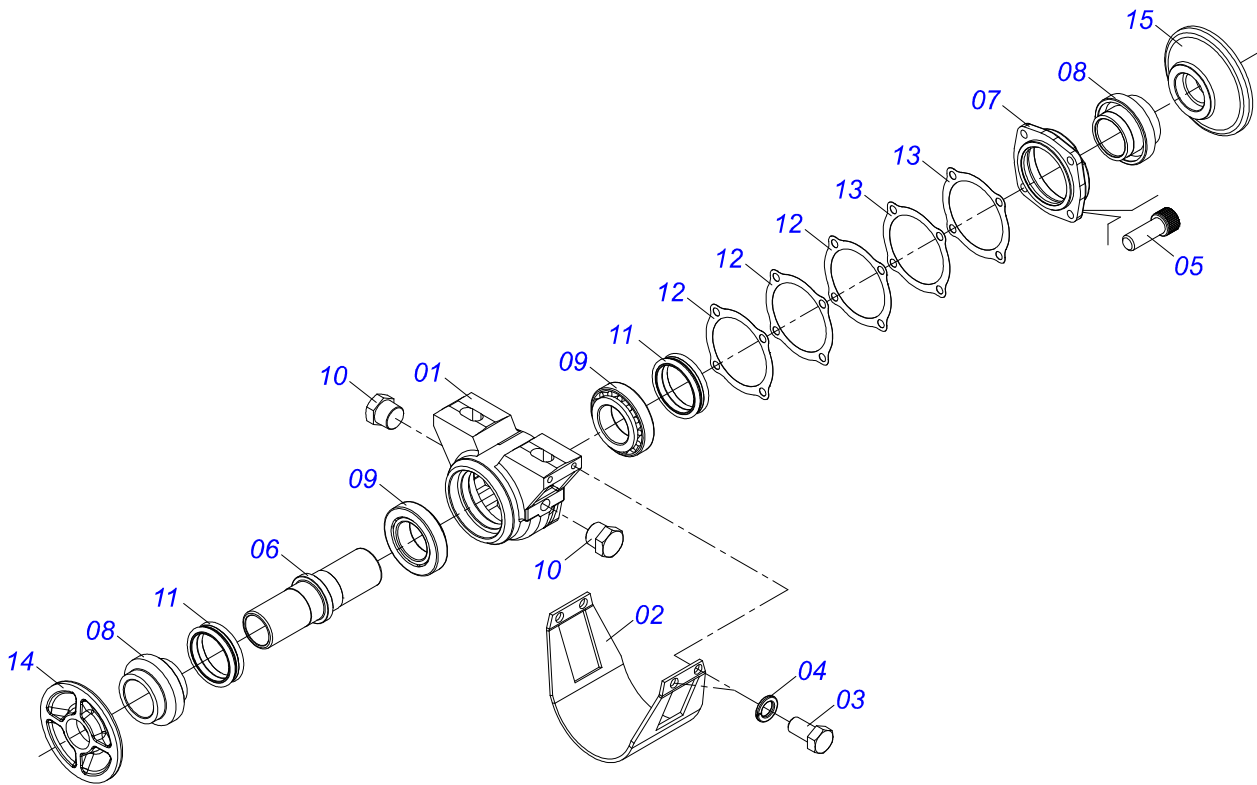


Item	Code	Description	See page	14	16	18	20	22	24	26	29
01	0501043697	1.1/2" X 1505 AXLE ASSY		02	00	00	00	00	00	02	03
01A	0511012601	1.1/2" X 1505 AXLE		01	00	00	00	00	00	01	01
01B	0501010110	1.1/2" NUT		02	00	00	00	00	00	02	02
02	0501043837	1-1/2" X 68" AXLE WITH NUTS		00	02	00	00	00	00	00	01
02A	0511010225	1-1/2" X 68" AXLE		00	01	00	00	00	00	00	01
02B	0501010110	1.1/2" NUT		00	02	00	00	00	00	00	02
03	0501043756	1-1/2" X 77" AXLE WITH NUTS		00	00	02	00	00	00	00	00
03A	0511010230	1-1/2" X 77" AXLE		00	00	01	00	00	00	00	00
03B	0501010110	1.1/2" NUT		00	00	02	00	00	00	00	00
04	0501043835	1.1/2" X 1040 AXLE W/NUT		00	00	00	04	02	00	00	00
04A	0511010224	1.1/2" X 1040 AXLE		00	00	00	01	01	00	00	00
04B	0501010110	1.1/2" NUT		00	00	00	02	02	00	00	00
05	0501043689	1-1/2" X 1275 AXLE W/NUT		00	00	00	01	02	04	02	00
05A	0511012600	1-1/2" X 1275 AXLE		00	00	00	00	01	01	01	00
05B	0501010110	1.1/2" NUT		00	00	00	00	02	02	02	00
06	0501058802	5/8 UNC X 2.3/4 BOLT ASSY		00	00	00	00	00	00	16	00
06A	0503015154	5/8" X 2.3/4" BOLT		00	00	00	00	00	00	01	00
06B	0501010947	5/8 NUT LOCK		00	00	00	00	00	00	01	00
06C	0503010013	5/8" NUT		00	00	00	00	00	00	02	00
06D	0501012140	FLAT WASHER		00	00	00	00	00	00	01	00
07	0501044315	9" X 1-1/2" OIL BATH BEARING	12	04	06	06	08	08	08	00	08
07.	0501046311	OIL BATH BEARING	13	04	06	06	08	08	08	00	08
07..	0501043030	225MM X 1.1/2" RD. OIL BATH BEARING	14	00	00	00	00	00	00	00	08
08	0502010621	8.8" 1-1/2" SPACER		08	08	10	08	09	12	14	08
09	0602030283	24" X 6 NOTCHED DISC BLADE		14	16	18	00	22	00	26	00
09.	0602030237	24" X 4,75" NOTCHED DISC BLADE		00	16	00	00	22	24	00	27
09..	0602029396	22X4,75 NOTCHED DISC BLADE		00	00	00	00	22	24	00	01
09...	0602027355	20 X 3,5 NOTCHED DISC BLADE		00	00	00	00	00	00	00	01
09....	0602033231	26X6 NOTCHED DISC BLADE		00	00	00	02	00	00	00	00
09.....	0602033283	NOTCHED DISC BLADE		00	16	18	20	22	24	00	00
10	0502010871	1-1/2" EXTERNAL AXLE WASHER		02	02	02	02	04	04	04	04

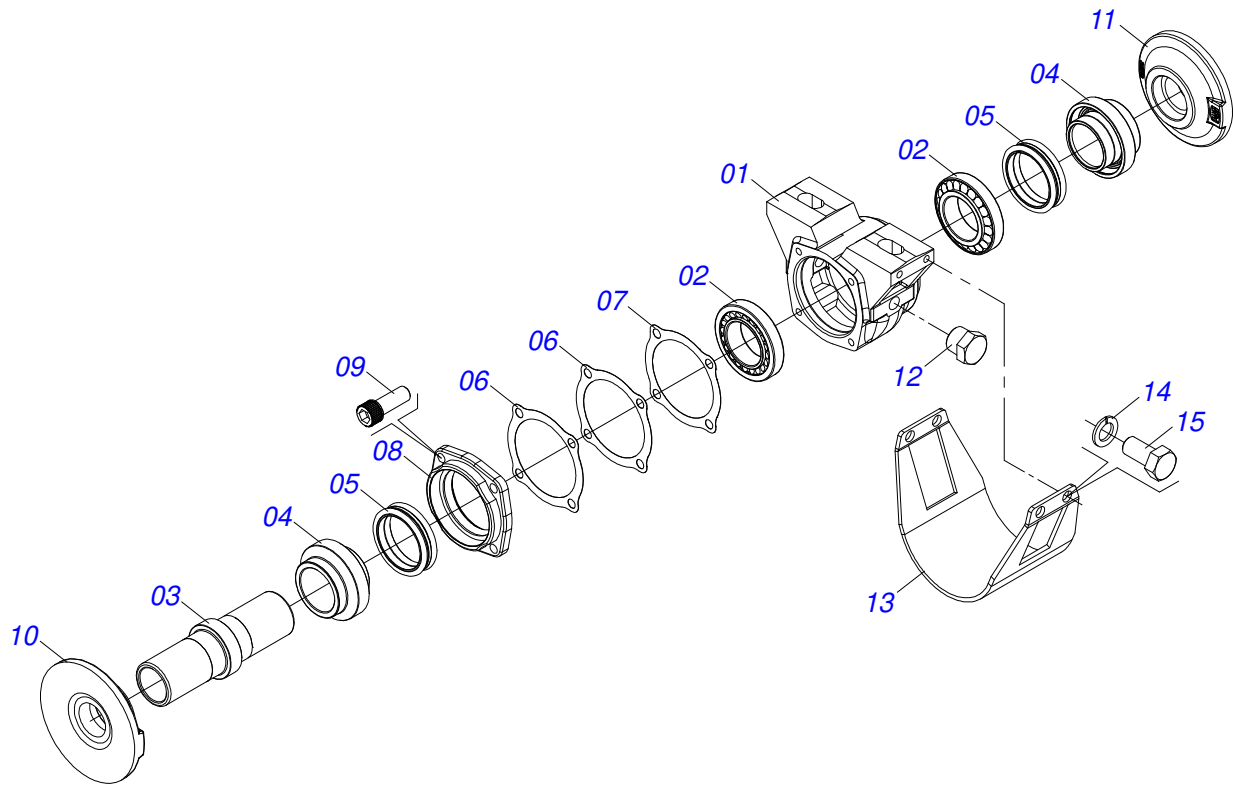
Item	Code	Description	See page	14	16	18	20	22	24	26	29
11	0502010872	1-1/2" INNER AXLE WASHER		02	02	02	02	04	04	04	04
12	0501018592	1.5/8" NUT LOCK		04	04	04	08	08	08	08	08
13	0503011267	BOLT 5/8 UNC X 1.1/2 C S G.5 ZN		04	04	04	08	08	08	08	08
14	0503010027	5/8" SPRING WASHER		04	04	04	08	08	08	08	08
15	0503010013	5/8" NUT		04	04	04	08	08	08	08	08
16	0501048788	IMPLEMENT PARTS ASSY 5/8 UNC X 2.1/2 CA		08	12	12	16	16	16	00	16
16A	0501014177	5/8" X 2-1/2" BOLT		08	12	12	16	16	16	00	16
16B	0501010947	5/8 NUT LOCK		08	12	12	16	16	16	00	16
16C	0501012140	FLAT WASHER		08	12	12	16	16	16	00	16
16D	0503010013	5/8" NUT		08	12	12	16	16	16	00	16



Item	Code	Description	See page	QT
01	0502010540	HOUSING DM		01
02	0503010006	32210 ROLLER BEARING		02
03	0502040611	AXLE		01
04	0502010821	SEAL RETAINER		02
05	0503030026	SEAL LP JB-253		02
06	0503030013	4.4" X 3.5" X 0.004" JOINT		03
07	0503030684	4.4" X 3.5" X 0.004" JOINT		02
08	0502020424	HOUSING CAP		01
09	0503010134	3/8" X 1" BOLT		04
10	0503011443	3/8" SPRING WASHER		04
11	0503010856	OIL PLUG		02
12	0502010604	OUTER FLANGE		01
13	0502010605	INNER FLANGE		01



Item	Code	Description	See page	QT
01	0502011751	OIL HOUSING BEARING		01
02	0511010829	BEARING GUARD		01
03	0503011334	BOLT 3/8 UNC X 3/4 CS G.5 ZN		04
04	0503010025	3/8" SPRING WASHER		04
05	0503010134	3/8" X 1" BOLT		04
06	0502040611	AXLE		01
07	0502020424	HOUSING CAP		01
08	0502010821	SEAL RETAINER		02
09	0503010006	32210 ROLLER BEARING		02
10	0503010856	OIL PLUG		02
11	0503030026	SEAL LP JB-253		02
12	0503030013	4.4" X 3.5" X 0.004" JOINT		03
13	0503030684	4.4" X 3.5" X 0.004" JOINT		02
14	0502010605	INNER FLANGE		01
15	0502010604	OUTER FLANGE		01



Item	Code	Description	See page	QT
01	0502010717	HOUSING DM	01	
02	0503014283	BEARING	02	
03	0502040444	AXLE	01	
04	0502010731	SEAL RETAINER	02	
05	0503030026	SEAL LP JB-253	02	
06	0503030013	4.4" X 3.5" X 0.004" JOINT	02	
07	0503030684	4.4" X 3.5" X 0.004" JOINT	01	
08	0502020424	HOUSING CAP	01	
09	0503010134	3/8" X 1" BOLT	04	
10	0502010694	OUTER FLANGE	01	
11	0502010715	INNER FLANGE	01	
12	0503010856	OIL PLUG	02	
13	0511010829	BEARING GUARD	01	
14	0503010025	3/8" SPRING WASHER	04	
15	0503011334	BOLT 3/8 UNC X 3/4 CS G.5 ZN	04	
16	3402301247	MINERAL OIL GREASE		0,11LT



civemasa

Technical Publications | Elaboration and Revision

MARINA PEREZ NIZA

www.civemasa.com.br

