

DISK HARROWS

GOMPC 7010
GOMPC 7010

Code: 0501091640
Series: S-1006
Revision: 00
Revision Date: JANUARY/2024

PARTS
CATALOGUE


CIVEMASA

PRODUCTS

Code	Working Width	Description
0121620002		GOMPC 7010 48X30X7,5DMMTFFC/PNS1006
0121620001		GOMPC 7010 56X28X7,5DMMTFFC/PNS1006
0121620003		GOMPC 7010 56X30X7,5DMMTFFC/PNS1006

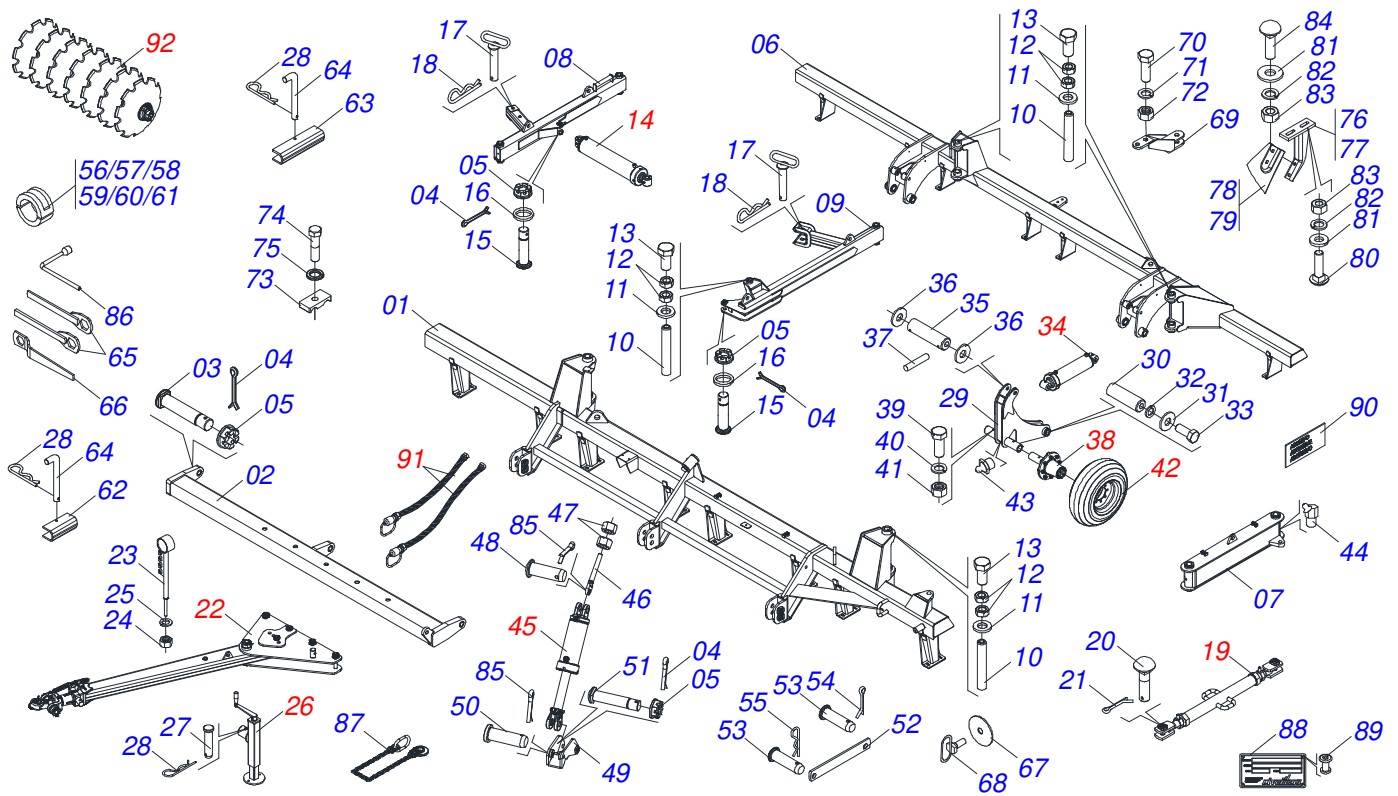
ATTENTION: IMPORTANT

CIVEMASA reserves the right to improve and/or modify the technical features of its products, without obligation to do the same with those products already sold and without prior knowledge of the dealer or the customer. The photos are only illustrative.



INDEX

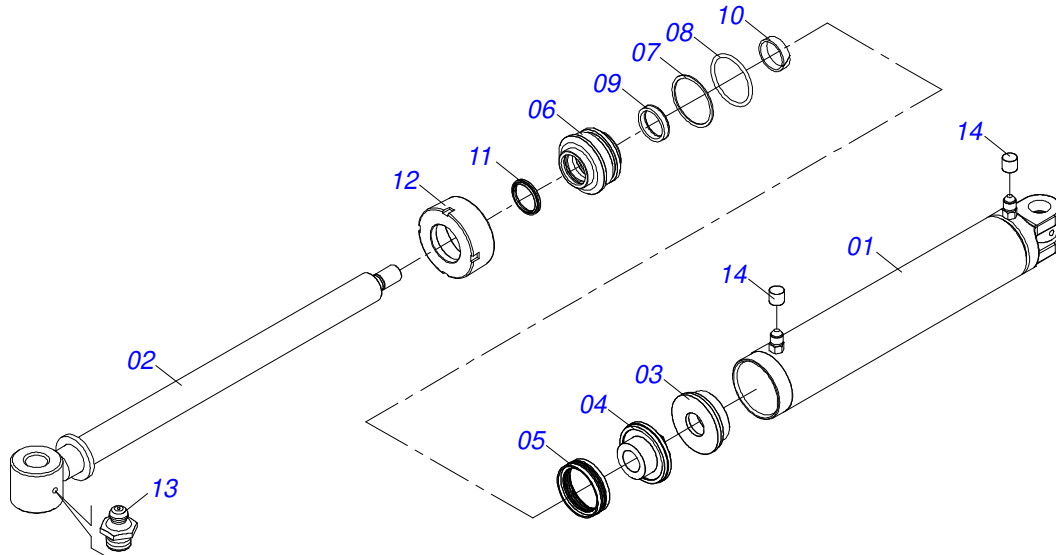
0909094243	FRAME ASSY	1
0511050114	63,50 X 150 X 965 X 625 HYDRAULIC CYLINDER	2
0501054606	TURNBUCKLE ASSY	3
0521041823	TRACTION BAR ASSY (PIN 3")	4
0531040171	HITCH ASSY	5
0511048088	DRAWBAR JACK	6
0511050113	HYDRAULIC CYLINDER	7
0501051885	CARRYING-WHEELS	8
0503060414	WHEEL AND TIRE	9
0511058419	HYDRAULIC CYLINDER 50,80 X 101,60 X 514 X 206	10
0909093192	HYDRAULIC CIRCUIT - 48/56D	11
0511043139	VALVE ASSY	12
0501055696	DISCHARGE VALVE OFS ASSY	13
0501055695	FLOW DIVIDING VALVE ASSY	14
0501053834	MALE QUICK COUPLER	15
0909094343	ASSY GANG DISC	16
0501048457	262MM X 1.5/8" RD OIL BATH BEARING	17



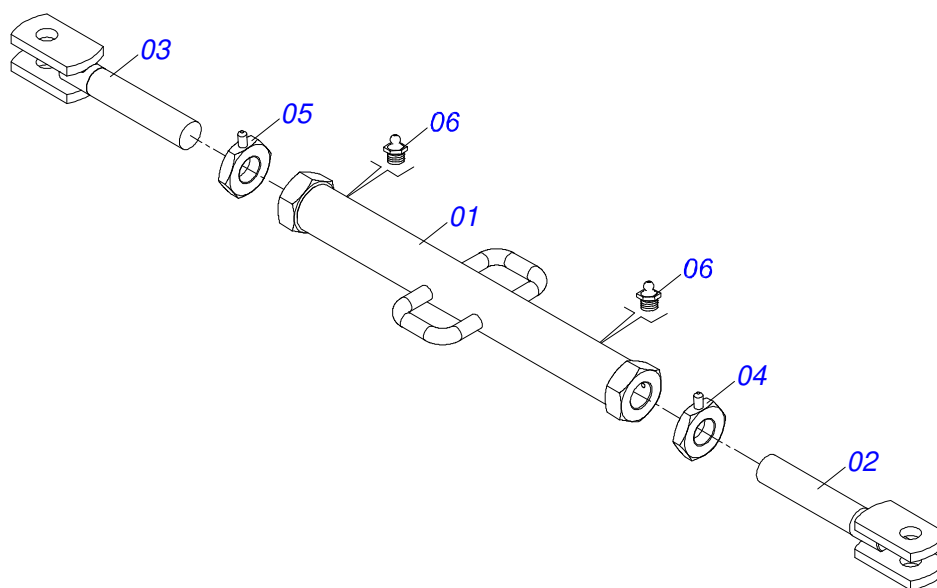
Item	Code	Description	See page	048	056
01	0521064429	FRAME ASSY - 48D		001	000
01.	0521063664	FRAME ASSY - 56D		000	001
02	0521066790	HITCH BAR 3240		001	000
02.	0521066794	HITCH BAR 3778		000	001
03	0531018099	37,50 X 190 COUPLING SHAFT		002	002
04	0503010010	SPLIT PIN 1/4" X 2.1/2"		005	005
05	0501011301	1.1/2" UNC 6FPP 2.5/16" NUT		005	005
06	0521064433	REAR FRAME - 48D		001	000
06.	0521063663	REAR FRAME - 56D		000	001
07	0511064660	JOIN		001	001
08	0511068307	FRONT STABILIZER BAR		001	001
09	0511068306	REAR STABILIZER BAR		001	001
10	0521011569	20" COUPLING SHAFT		005	005
11	0521011565	FLAT WASHER		010	010
12	0503013635	1" NUT		020	020
13	0503012660	1" X 4" BOLT		010	010
14	0511050114	63,50 X 150 X 965 X 625 HYDRAULIC CYLINDER	2	001	001
15	0531018100	37,50 X 200 COUPLING SHAFT		002	002
16	0501012916	FLAT WASHER 40 X 66 X 4,75 ZN		002	002
17	0501069350	230 PIVOT SHAFT WITH PULL		001	001
18	0503031035	HITCH PIN CLIP		001	001
19	0501054606	TURNBUCKLE ASSY	3	001	001
20	0521012868	1.4" X 5" PIVOT SHAFT		002	002
21	0503010534	3/8" X 2.1/2" SPLIT PIN		002	002
22	0521041823	TRACTION BAR ASSY (PIN 3")	4	001	001
23	0531061120	HOSE SUPPORT		001	001
24	0503010014	3/4" ZN G.5 (HEAVY) UNC HEX NUT		001	001
25	0503010023	3/4" SPRING WASHER		001	001
26	0511048088	DRAWBAR JACK	6	001	001
27	0561014251	COUPLING SHAFT		001	001

Item	Code	Description	See page	048	056
28	0503030168	HITCH PIN CLIP		001	001
29	0511064655	CARRYNG-WHEEL SUPPORT		002	002
30	0531018062	COUPLING SHAFT		002	002
31	0521011565	FLAT WASHER		004	004
32	0503010012	1" SPRING WASHER		004	004
33	0503011250	1" X 2" BOLT		004	004
34	0511050113	HYDRAULIC CYLINDER	7	002	002
35	0531018101	1.2" X 6.3" PIVOT SHAFT		002	002
36	0501017779	FLAT WASHER 32 X 60 X 4,75		004	004
37	0503011877	0.3" X 2.4" SPRING PIN		004	004
38	0501051885	CARRYING-WHEELS	8	004	004
39	0503010547	1/2" X 4" BOLT		004	004
40	0503010019	1/2" SPRING WASHER		004	004
41	0503010060	1/2 UNC G.5 ZN HEX NUT		004	004
42	0503060414	WHEEL AND TIRE	9	004	004
43	0503010002	1800 GREASE FITTING		004	004
44	0503010003	1845 GREASE FITTING		002	002
45	0511058419	HYDRAULIC CYLINDER 50,80 X 101,60 X 514 X 206	10	001	001
46	0511064433	REGULATOR SPINDLE 1-3/4		001	001
47	0501010333	1.3/4" NUT		002	002
48	0521012538	1.2" X 3.5" COUPLING SHAFT		001	001
49	0511064656	DRAWBAR PIVOT		001	001
50	0531019171	1.25" X 7" COUPLING SHAFT		001	001
51	0521012053	1.5" X 8.6" AXLE		001	001
52	0541011205	DRAWBAR LOCK SAFETY		002	002
53	0521010573	0.9" X 3.1" COUPLING SHAFT		002	002
54	0503010571	1/4" X 1.1/2" SPLIT PIN		001	001
55	0503030012	HITCH PIN CLIP		001	001
56	0511042166	2.1/2" ROD STOP ASSY		001	001
57	0511042165	2.1/2" ROD STOP ASSY		001	001
58	0511042164	2.1/2" ROD STOP ASSY		001	001
59	0511042163	2.1/2" ROD STOP ASSY		001	001
60	0511042162	2.1/2" ROD STOP ASSY		001	001
61	0511042161	2.1/2" ROD STOP ASSY		001	001
62	0551010332	TRANSPORT LOCK		001	001
63	0561016693	TRANSPORT LOCK		002	002
64	0541016844	FIXER LOCK		003	003
65	0501011431	1-3/4" GANG BOLT WRENCH		002	002
66	0501011432	1-1/2" AND 1-5/8 GANG BOLT WRENCH		001	001
67	0521011722	FLAT WASHER		001	001
68	0501069343	WRENCH FIXER		001	001
69	0511064810	REAR HITCH		001	001
70	0503011346	7/8" X 3-1/2" BOLT		002	002
71	0503010408	7/8" SPRING WASHER		002	002
72	0503010417	7/8" NUT		002	002
73	0502012702	BODY SUPPORT CLAMP		007	007
74	0503012555	SCREW 7/16 UNC X 2 CS RT G.7 ZN		007	007
75	0503010180	7/16" SPRING WASHER		007	007
76	0511065925	REAR SCRAPER SUPPORT		025	029
77	0511065926	FRONT SCRAPER SUPPORT		024	028
78	0541013461	FRONT SCRAPER SHOVEL		024	028
79	0541013463	REAR SCRAPER SHOVEL		025	029
80	0503013842	5/8" UNC X 1-3/4" BOLT		098	114
81	0501012140	FLAT WASHER 16,50 X 40 X 4,00 ZN		115	131
82	0503010027	5/8 SPRING WASHER		119	135
83	0503010013	5/8 UNC G.5 ZN HEX NUT		196	228
84	0503012195	5/8" NUT		098	114

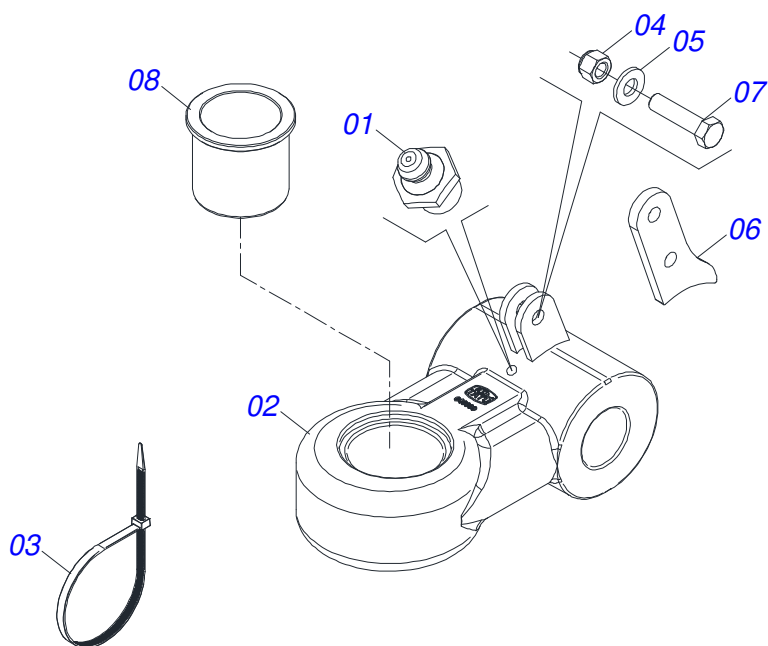
Item	Code	Description	See page	048	056
85	0503010523	1/4" X 2" SPLIT PIN		003	003
86	0503016140	3/4" WRENCH CABLE CYLINDRICAL		001	001
87	0503013150	1300 X 3/8" CHAIN		001	001
88	0503034004	ALUMINUM IDENTIFICATION DECAL		001	001
89	0503010001	RIVET 3,2 X 5,5		004	004
90	0503034438	ADHESIVE LABEL		001	001
90.	0503033737			002	002
90..	0503033246	CIVEMASA LOGO DECAL		002	002
91		HYDRAULIC CIRCUIT - 48/56D	11		
92		ASSY GANG DISC	16		



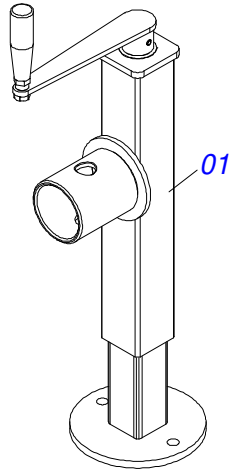
Item	Code	Description	See page	QT
01	0511065049	6" X 31" CYLINDER CASE		01
02	0511065050	2.5" X 34" TURNBUCKLE		01
03	0561016818	PISTON BODY		01
04	0502012658	PISTON BODY		01
05	0503015912	SELEMASTER SEALING		01
06	0502012375	TURNBUCKLE GUIDE		01
07	0503010704	2-357 N 3006-9B O-RING		01
08	0503010971	W2-2750-500 PK RING G.I		01
09	0503014960	GASKET		01
10	0503012497	RING (TEFLON)		01
11	0503010287	D-2500 SCRAPER RING		01
12	0541010615	MOVABLE COVER		01
13	0503010002	1800 GREASE FITTING		02
14	0503030384	PLUG N-001		02



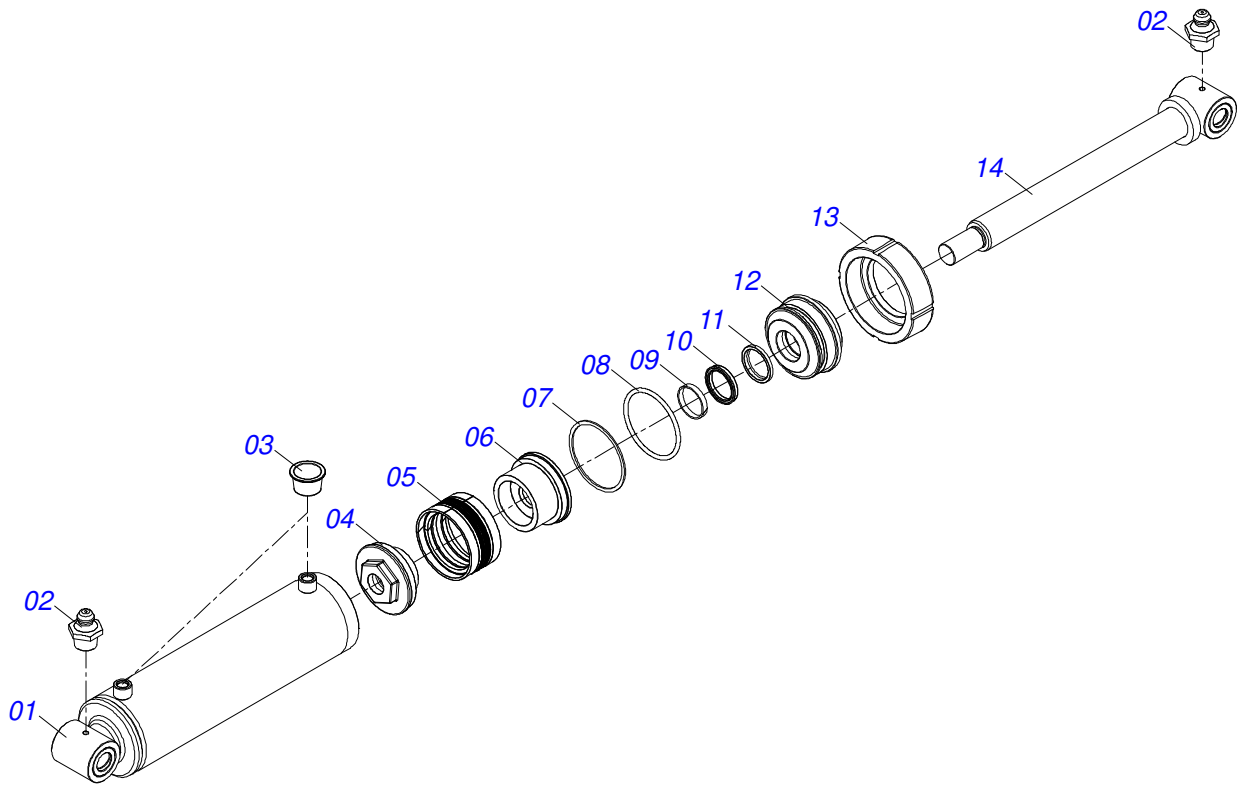
Item	Code	Description	See page	QT
01	0511064657	JOIN TURNBUCKLE		01
02	0501069333	JACK CRANK		01
03	0501069334	JACKET		01
04	0501069331	LOCKNUT WITH LEFT HANDLER R 2-1/8		01
05	0501069330	LOCKNUT WITH RIGHT HANDLER R 2-1/8		01
06	0503010002	1800 GREASE FITTING		02



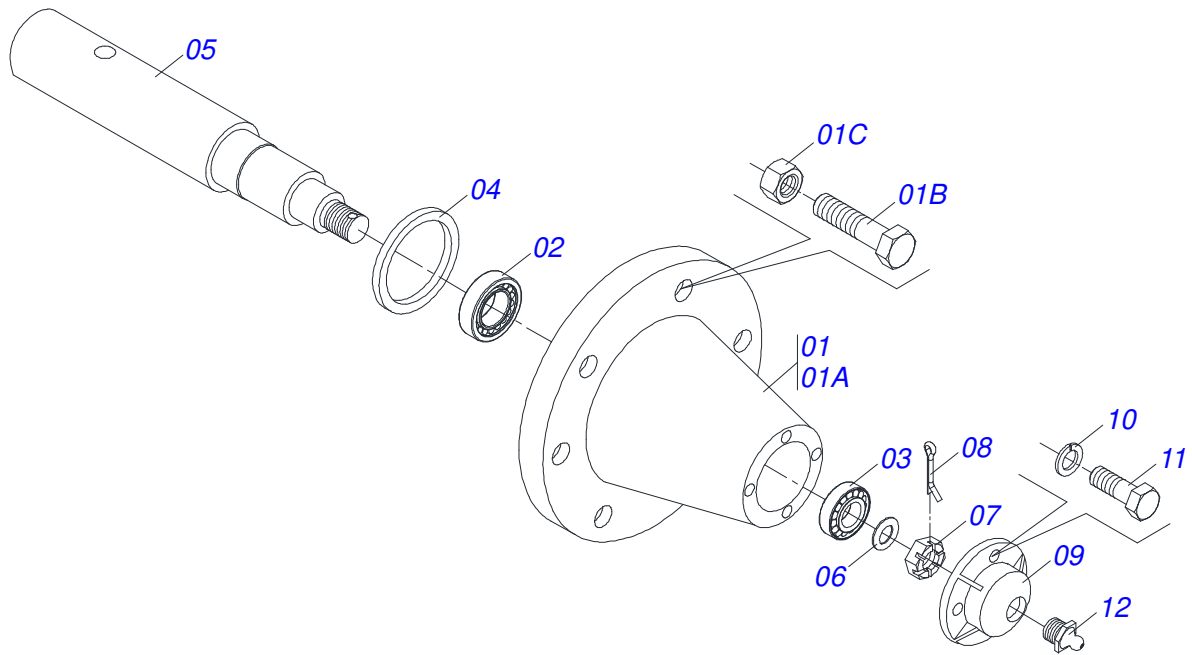
Item	Code	Description	See page	QT
01	0503010002	1800 GREASE FITTING		01
02	0531061121	HITCH		01
03	0503018829	NYLON CLAMP 7,8 X 1,8 X 390 MM		01
04	0503010589	UNC SELF ADJUSTING NUT 1/2" UNC ALTA G.5 ZN		01
05	0501010937	13,50 X 28 X 3,00 FLAT WASHER		01
06	0591014555	FRONT SUPPORT FIXING SPRING		01
07	0503010740	BOLT 1/2 UNC X 2 CS G.5 ZN		01
08	0591013448	SLEEVE 65,50 X 78 X 76 (PIN 2.1/2")		01



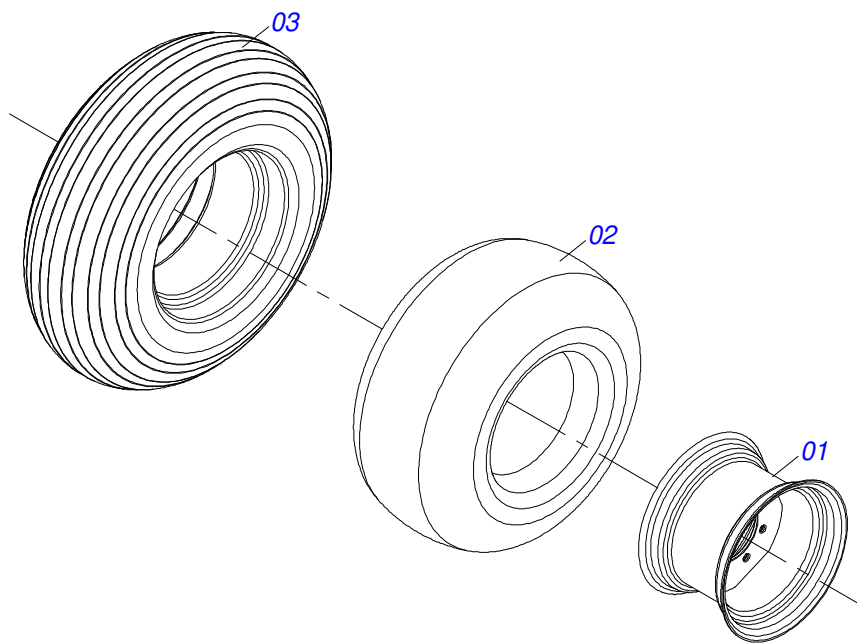
Item	Code	Description	See page	QT
01	0503062227	DRAWBAR JACK		01



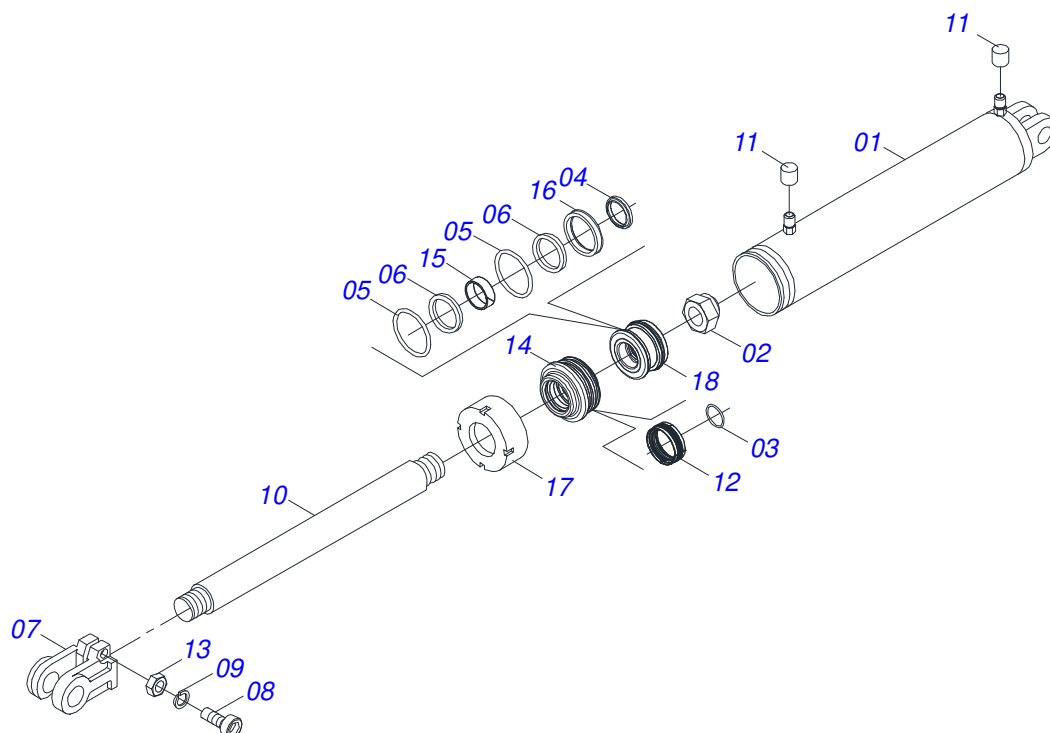
Item	Code	Description	See page	QT
01	0521061746	CYLINDER CASE		01
02	0503010002	1800 GREASE FITTING		02
03	0503030384	PLUG N-001		02
04	0502012645	PISTON BODY 2" X 5"		01
05	0503015643	SEAL PCK 001270-N8CO		01
06	0561016583	PISTON BODY		01
07	0503011062	8-425 BACK-UP RING		01
08	0503010351	2-425 N 3006-9B O'RING		01
09	0503015641	WEAR RING		00
10	0503015642	U-CUP SEALING RUUB000970		01
11	0503015715	SCRAPER SEALING		01
12	0502012646	RING SUPPORT 2.1/8" X 5"		01
13	0502010382	5" END CAP		01
14	0521061684	56,98 X 590,50 TURNBUCKLE		01



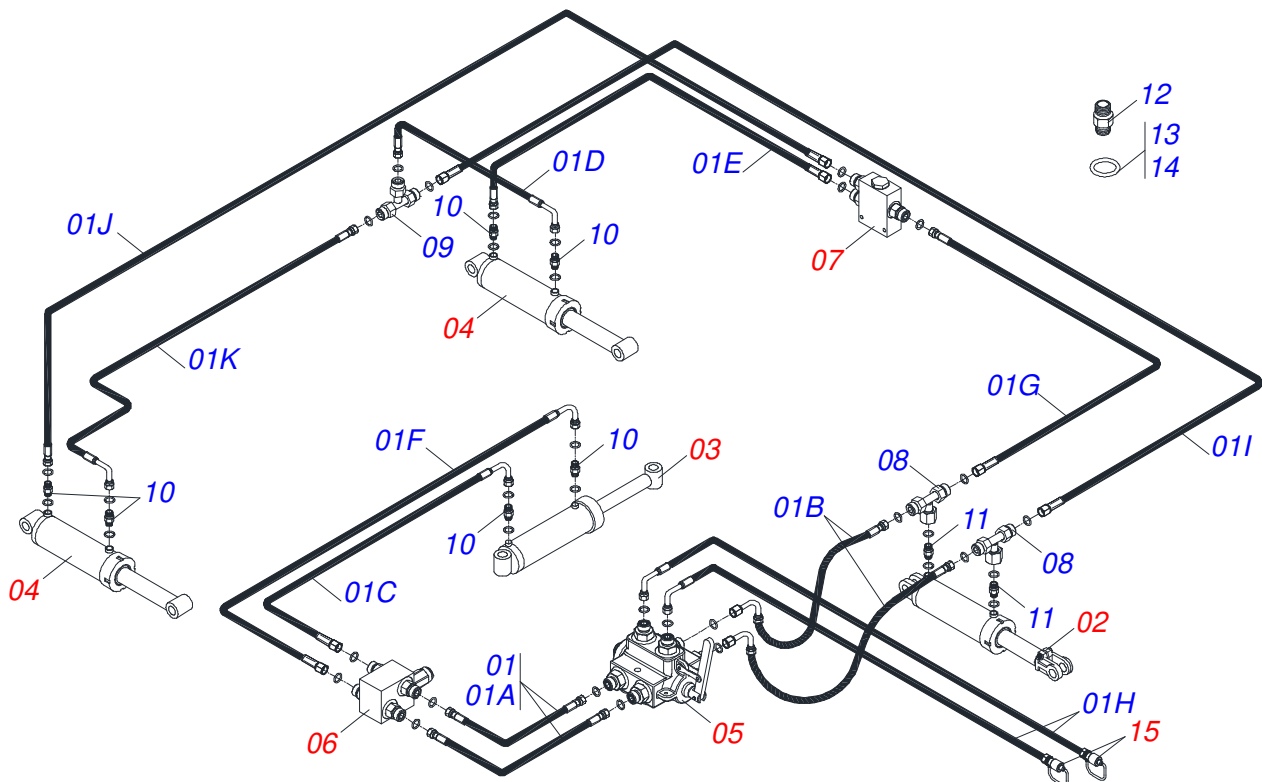
Item	Code	Description	See page	QT
01	0501110738	CARRYING WHEEL HUB 21FT		01
01A	0502012260	TRANSPORT CARRYING-WHEEL HUB		01
01B	0503010064	5/8 UNF CONIC NUT		08
01C	0501010186	WHEEL BOLT 5/8" UNF X 2.1/8CR		08
02	0503011156	2780/2720 IMP ROLLER BEARING		01
03	0503010008	3780/3720 ROLLER BEARING		01
04	0503013314	RETAINER 5166-GB 63,5 X 110 X 13 ARCA		01
05	0511012494	SPINDLE		01
06	0511012492	FLAT WASHER		01
07	0503030009	1" CASTLE NUT		01
08	0503010018	5/32" X 1-1/2" SPLIT PIN		01
09	0502020591	PROTECCION COVER		01
10	0503011444	SPRING WASHER 5/16"		04
11	0503010358	5/16" X 5/8" BOLT		04
12	0503010002	1800 GREASE FITTING		01



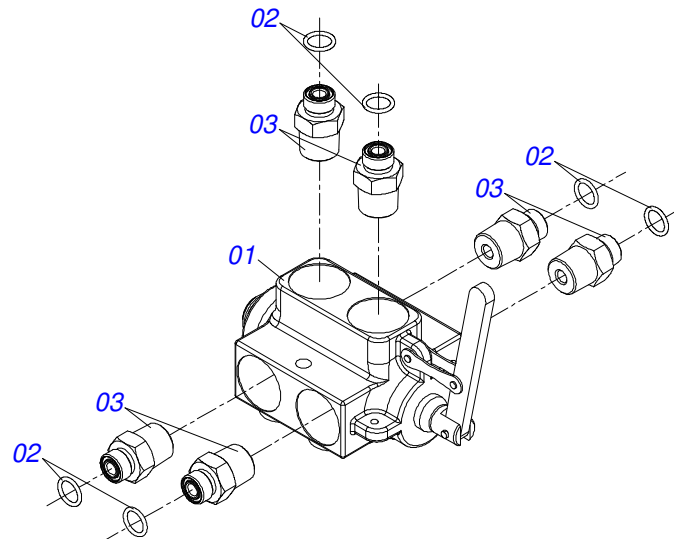
Item	Code	Description	See page	QT
01	0503012108	WHEEL 10 LB X 15 X 8F X 203		01
02	0503010860	AIR CHAMBER 11L 15		01
03	0503011469	RIB TIRE BL - 12L		01



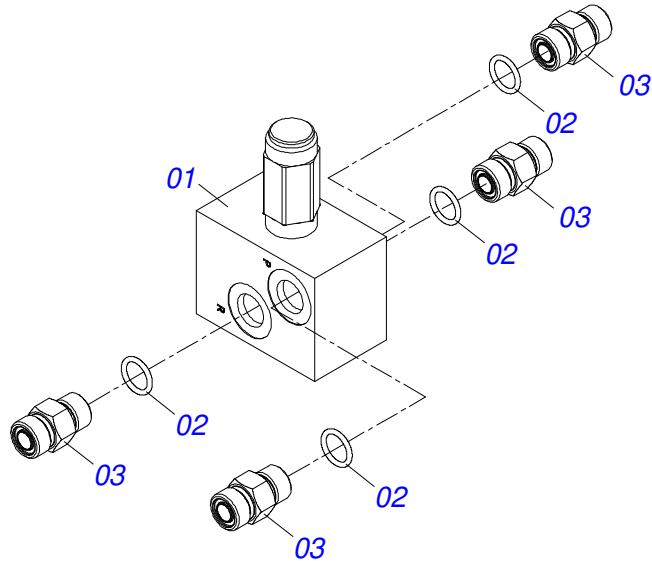
Item	Code	Description	See page	QT
01	0511061336	101,6 X 398 CYLINDER CASE		01
02	0503010817	SELF LOCKING NUT 1.1/4 UNF ALTA G.5 ZN		01
03	0503010345	2-218 N 3006-9B O'RING		01
04	0503015636	SCRAPER SEAL		01
05	0503010338	2-342 N 3006-9B O'RING		02
06	0503011061	8-342 BACK-UP RING		02
07	0502040747	32.54 CLEVIS CLAMP		01
08	0503011094	BOLT 3/8" UNC X 2" C C S I 12.9		01
09	0503011443	SPRING WASHER 3/8"		01
10	0521010422	HYDRAULIC CYLINDER TURNBUCKLE		01
11	0503030384	PLUG N-001		02
12	0503015633	SELEMASTER SEALING		01
13	0503010026	3/8" NUT		01
14	0581010678	50,80 X 101 RING SUPPORT		01
15	0503018025	RING GUIDE W2-2250-750		01
16	0503018026	GASKET 1870-2000-375 B POLYMAX		01
17	0502012822	END CAP 4"		01
18	0502012842	50,80 X 101,60 PISTON		01
19	0511032511R	HYDRAULIC CYLINDER REPAIR KIT		01



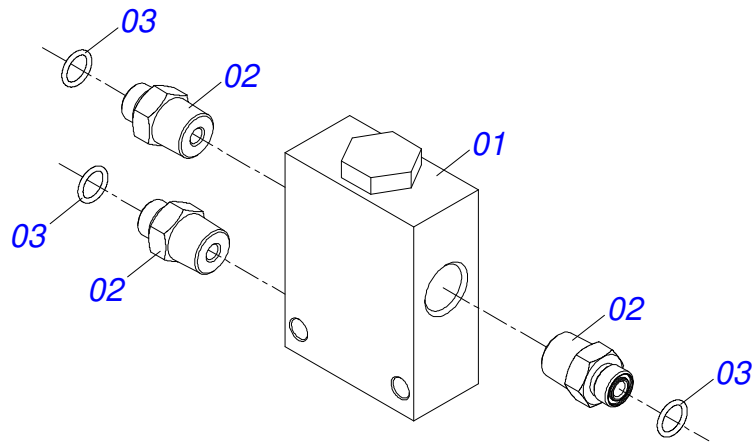
Item	Code	Description	See page	QT
01	0501057498	HOSE SET		01
01A	0501081084	HOSE		02
01B	0501080971	1/2" X 33.46" TR-TC HOSE ASSY		02
01C	0501080985	1/2" X 47.24" TR-TC HOSE ASSY		01
01D	0501080986	1/2" X 55.12" TR-TC HOSE ASSY		01
01E	0501080987	1/2" X 59.06" TR-TR HOSE ASSY		01
01F	0501080988	1/2" X 77" TR-TC HOSE ASSY		01
01G	0501080990	1/2" X 185" TR-TR HOSE ASSY		01
01H	0501081017	1/2" X 196.85" TC-TM HOSE ASSY		02
01I	0501080918	1/2" X 212" TR-TR HOSE ASSY		01
01J	0501080993	1/2" X 205" TR-TR HOSE ASSY		01
01K	0501081219	1/2" X 5700MM TR-TC HOSE ASSY		01
02	0511058419	HYDRAULIC CYLINDER 50,80 X 101,60 X 514 X 206	10	01
03	0511050114	63,50 X 150 X 965 X 625 HYDRAULIC CYLINDER	2	01
04	0511050113	HYDRAULIC CYLINDER	7	02
05	0511043139	VALVE ASSY	12	01
06	0501055696	DISCHARGE VALVE OFS ASSY	13	01
07	0501055695	FLOW DIVIDING VALVE ASSY	14	01
08	0503013272	T 1/2" MALE ADAPTER ASSY		02
09	0503013273	T 1/2" MALE ADAPTER		01
10	0503030923	3/4" UNF X 13/16UN OFS X 40 NIPPLE		06
11	0503032031	3/4" UNF REDUCTION NIPPLE		02
12	0503032098	13/16" NIPPLE		06
13	0503010190	2-114 N 3006-9B O'RING		08
14	0503011030	2-014 N 3006-9B O'RING		28
15	0501053834	MALE QUICK COUPLER	15	02



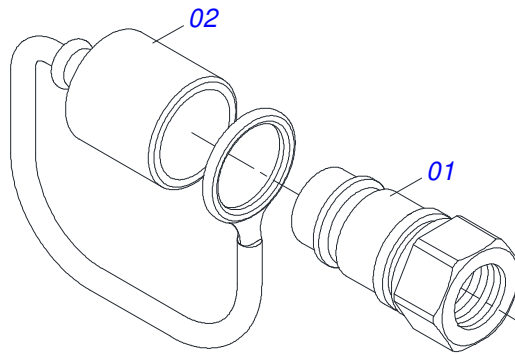
Item	Code	Description	See page	QT
01	0503013319	VALVE ASSY		01
02	0503032098	13/16" NIPPLE		06
03	0503010190	2-114 N 3006-9B O'RING		06



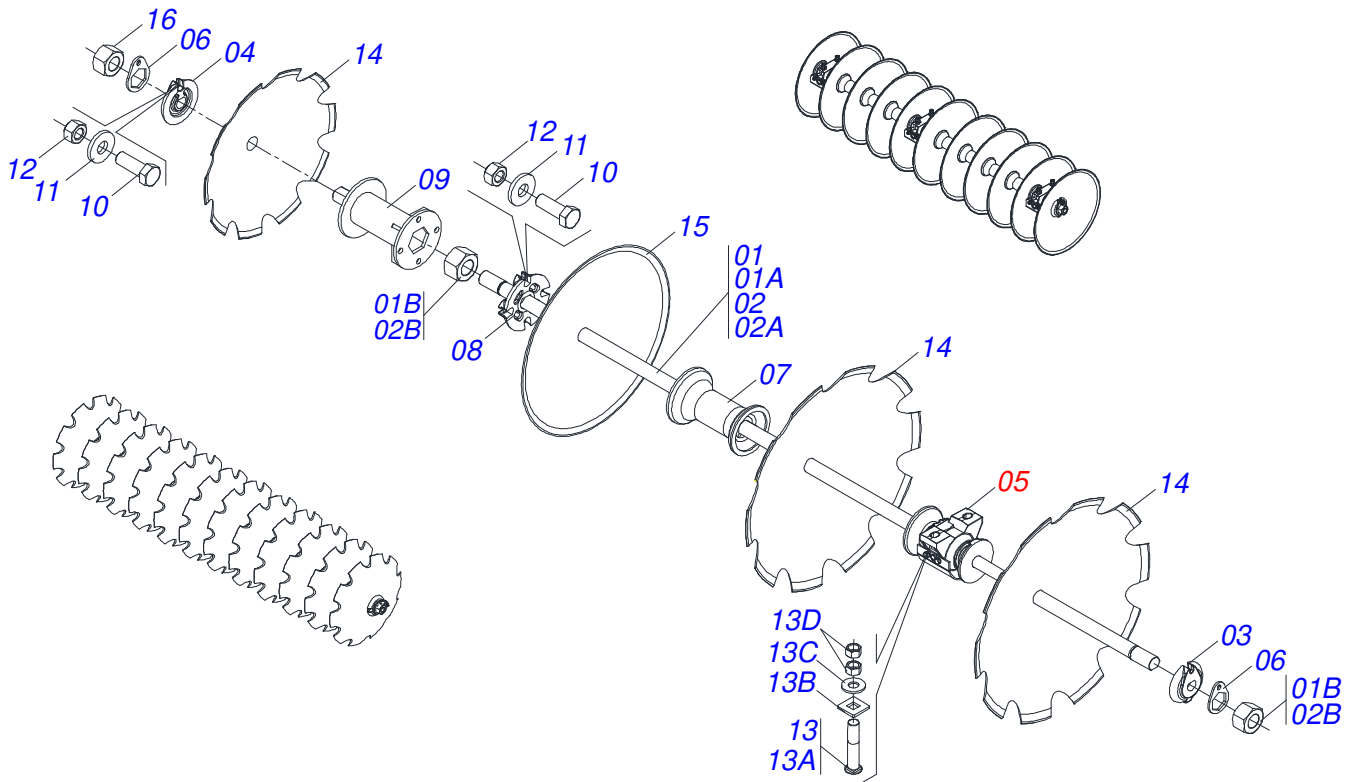
Item	Code	Description	See page	QT
01	0503010919	DISCHARGE VALVE		01
02	0503010190	2-114 N 3006-9B O'RING		04
03	0503030923	3/4" UNF X 13/16UN OFS X 40 NIPPLE		04



Item	Code	Description	See page	QT
01	0503012481	FLOW DIVIDING VALVE		01
02	0503030923	3/4" UNF X 13/16UN OFS X 40 NIPPLE		03
03	0503010190	2-114 N 3006-9B O'RING		03

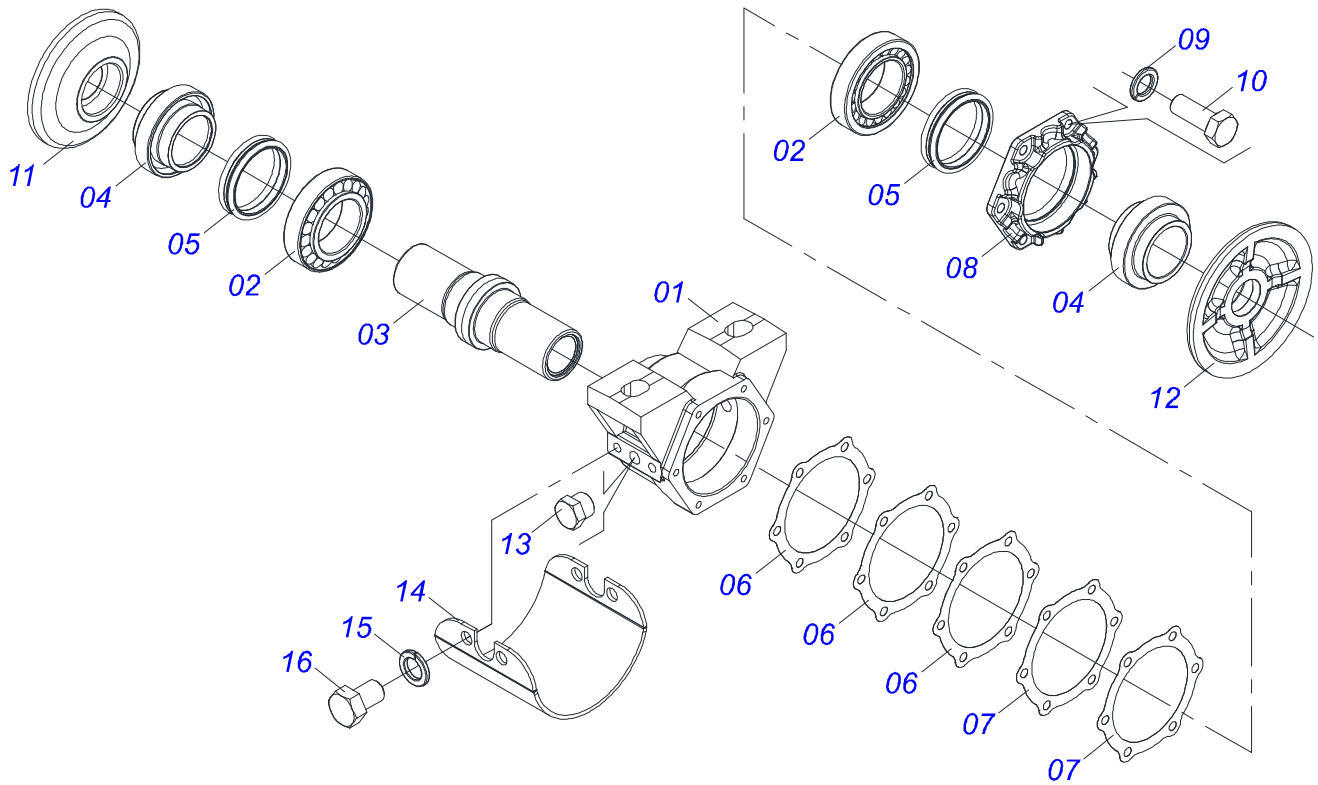


Item	Code	Description	See page	QT
01	0503011627	MALE QUICK COUPLER AGR 1/2 NPT		01
02	0503011882	MALE QUICK COUPLER CAP		01



Item	Code	Description	See page	048	056
01	0501046856	1-5/8" X 59" AXLE WITH NUTS 2-3/4"		008	000
01A	0501019012	1-5/8" X 59" AXLE		001	000
01B	0502040640	1.5/8" 2.3/4" NUT		002	000
02	0501046859	1-5/8" X 70" AXLE WITH NUTS 2-3/4"		000	008
02A	0501015631	1-5/8" X 70" AXLE		000	001
02B	0502040640	1.5/8" 2.3/4" NUT		000	002
03	0502011047	1-5/8" INNER AXLE WASHER		008	008
04	0502011048	1-5/8" EXTERNAL AXLE WASHER		008	008
05	0501048457	262MM X 1.5/8" RD OIL BATH BEARING	17	016	016
06	0511014339	1-5/8" 2.8" NUT LOCK		016	016
07	0502010703	10.35" 1-5/8" SPACER		024	032
08	0502012377	1-5/8" EXTERNAL AXLE LOK		001	001
09	0511067146	10.35" AXLE 1-5/8" SPACER		001	001
10	0503010232	5/8" X 1.3/4" BOLT		032	032
11	0503010027	5/8 SPRING WASHER		032	032
12	0503012412	5/8" UNC SELF LOCKING NUT		032	032
13	0501041925	3/4" X 3-1/2" BOLT ASSY		032	032
13A	0501010950	3/4" X 3-1/2" BOLT		001	001
13B	0501010949	3/4" SQUARE WASHER		001	001
13C	0501010322	20,50 X 46 X 4,00 ZN FLAT WASHER		001	001
13D	0503010014	3/4" ZN G.5 (HEAVY) UNC HEX NUT		002	002
14	0602040155	DR 30X7,5 C105AF02FR1.11/16 10R TATU		024	000
14.	0602037006	DR 28 X 7,50 C102AF04FR1.11/16 10R		000	028
14..	0602030444	DR 24X7,5 C66AF02FR1.11/16 3RECTATU		001	001
14...	0602029360	DR 22X6 C69AF02FR1.11/16 03REC TATU		000	001
14....	0602040074	DR 30 X 7,5 C105AF04FR1.11/16 10REC TATU		000	028
15	0601042040	DL 30X7,5 C105AF04FR1.11/16 TATU		022	026
15.	0601039053	DL 28 X 7,5 C102AF04FR1.11/16 TATU		001	001
15..	0601033065	DL 26X7,5 C90AF04FR1.11/16 TATU		001	001
15...	0601033005	DL 26X6 C90AF04FR1.11/16 TATU/CIVEMA		000	001

Item	Code	Description	See page	048	056
15....	0601030005	DL 24X6 C84AF04FR1.11/16 TATU		000	001
16	0502040640	1.5/8" 2.3/4" NUT		001	001



Item	Code	Description	See page	QT
01	0502020636	8.8" X 1-5/8" OIL HOUSING BEARING		01
02	0503013496	3982/3920 ROLLER BEARING		02
03	0502010740	AXLE TK		01
04	0502010736	SEAL RETAINER		02
05	0503030027	DUO-CONE SEAL		02
06	0503030030	5.6" X 4.4" X 0.01" GASKET		03
07	0503030685	5.5" X 4.4" X 0.003" GASKET		02
08	0502020161	WEAR PLATE BEARING		01
09	0503011443	SPRING WASHER 3/8"		06
10	0503010237	3/8" X 1" BOLT		06
11	0502040240	INNER FLANGE		01
12	0502040239	OUTER FLANGE		01
13	0503010856	OIL PLUG R 3/8 BSPT		02
14	0521012933	BEARING WEAR PLATE		01
15	0503010019	1/2" SPRING WASHER		04
16	0503011401	1/2" X 3/4" BOLT		04



civemasa

Technical Publications | Elaboration and Revision
ALESSANDRA PATRICIA KAWAHARA CARRILI

www.civemasa.com.br

