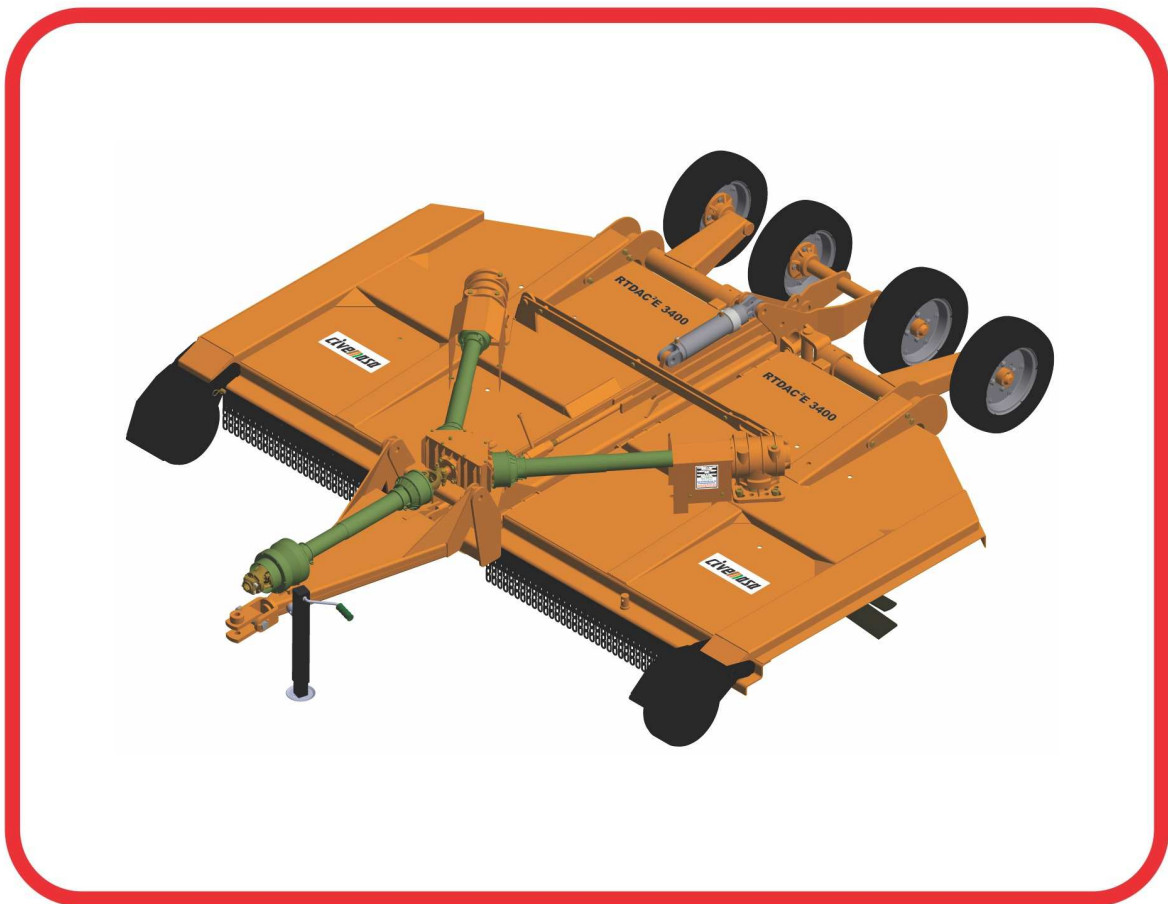


PARTS CATALOGUE

ROTARY COTTERS

RTDAC2E 3400

Code: 0501091639



Series: S-0114

Review: JUNHO/2016

**ORIGINAL PARTS
CIVEMASA**

civemasa

PRODUCTS

Code
0121670002

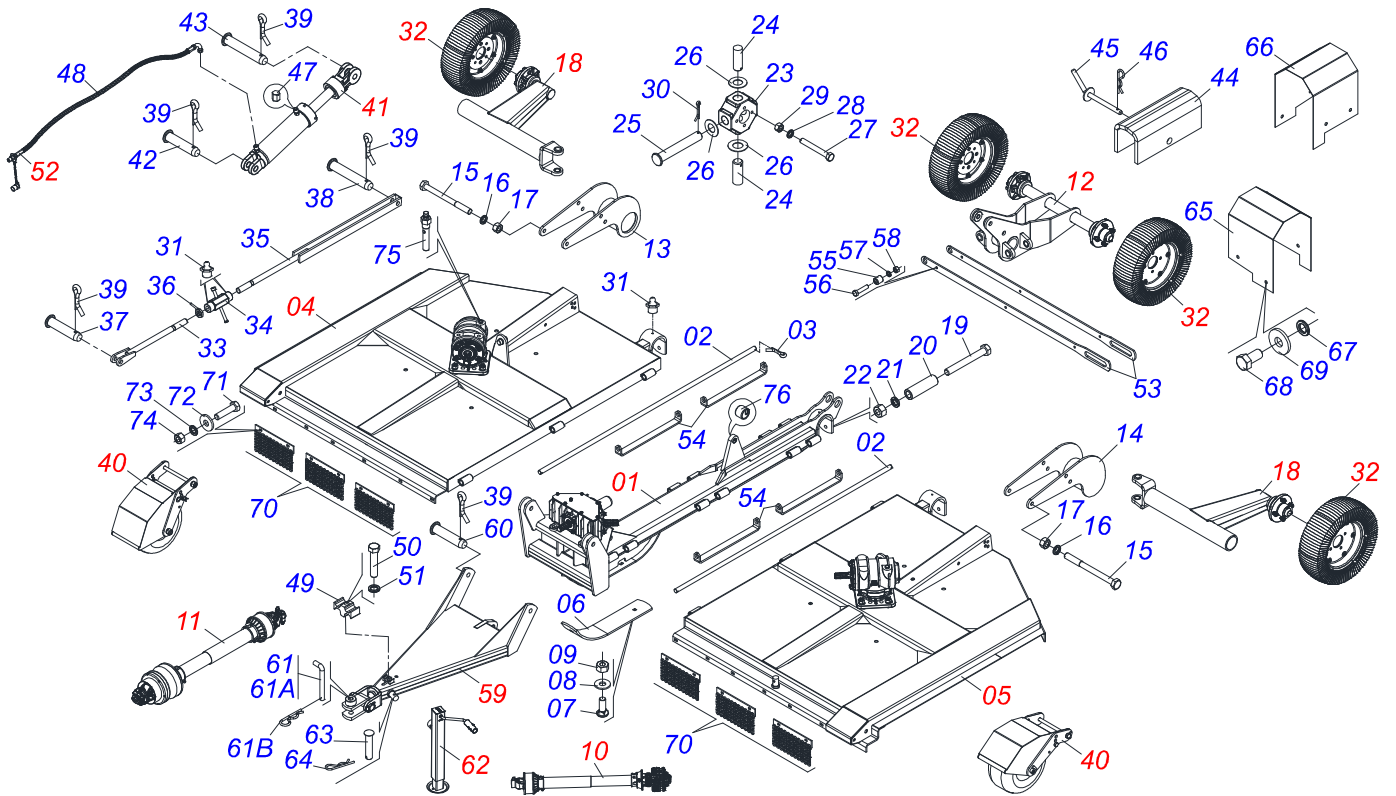
Description
RTDAC 2/E 3400 C/PROT CORR S-0114

ATTENTION: *IMPORTANT*

CIVEMASA RESERVES THE RIGHT AT ANY TIME TO MAKE IMPROVEMENTS IN THE DESIGN, MATERIAL OR SPECIFICATIONS OF MACHINERY, EQUIPMENT OR PARTS WITHOUT THEREBY BECOMING LIABLE TO MAKE SIMILAR CHANGES IN MACHINERY, EQUIPMENT OR PARTS PREVIOUSLY SOLD.

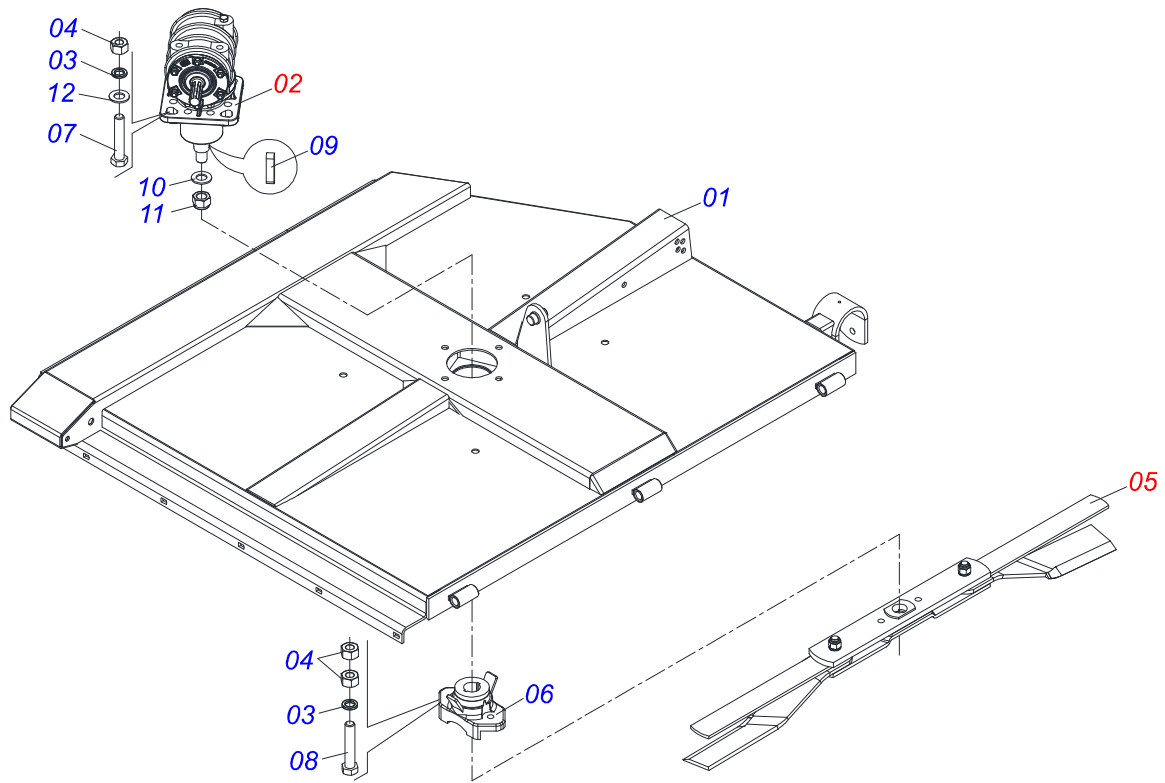
INDEX

| | | | |
|------------|--|-------|----|
| 0909094589 | FRAME ASSY | | 1 |
| 0511054559 | MULTIP RIGHT SIDE FRAME | | 2 |
| 0511042527 | SPEED MULTIPLIER | | 3 |
| 0501056339 | | | 4 |
| 0501053414 | CENTER FRAME RCA2/E 3400 | | 5 |
| 0501044074 | TRIPE DISTRIBUTOR RC 4500 | | 6 |
| 0501053416 | MULTIP LEFT SIDE FRAME | | 7 |
| 0511042525 | BOX MULTIPLIER | | 8 |
| 0501056340 | | | 9 |
| 0511040988 | PROTECTION WHEELS REAR ASSY | | 10 |
| 0501053420 | HUB SIDE WHELLS SUPPORT | | 11 |
| 0501043559 | RUBBER WHEEL ASSY | | 12 |
| 0501053419 | HUB CENTER WHELLS SUPPORT | | 13 |
| 0501053834 | QUICK CONECTION (MALE) 1/2NPT | | 14 |
| 0511058441 | HYDRAULIC CYLINDER 44,45 X 85,70 X 540 X 179 | | 15 |
| 0511040198 | DRIVE SHAFT | | 16 |
| 0501049129 | DRIVE SHAFT | | 17 |
| 0503062157 | HEADER JACK | | 18 |
| 0501053417 | DRAWBAR ASSY | | 19 |

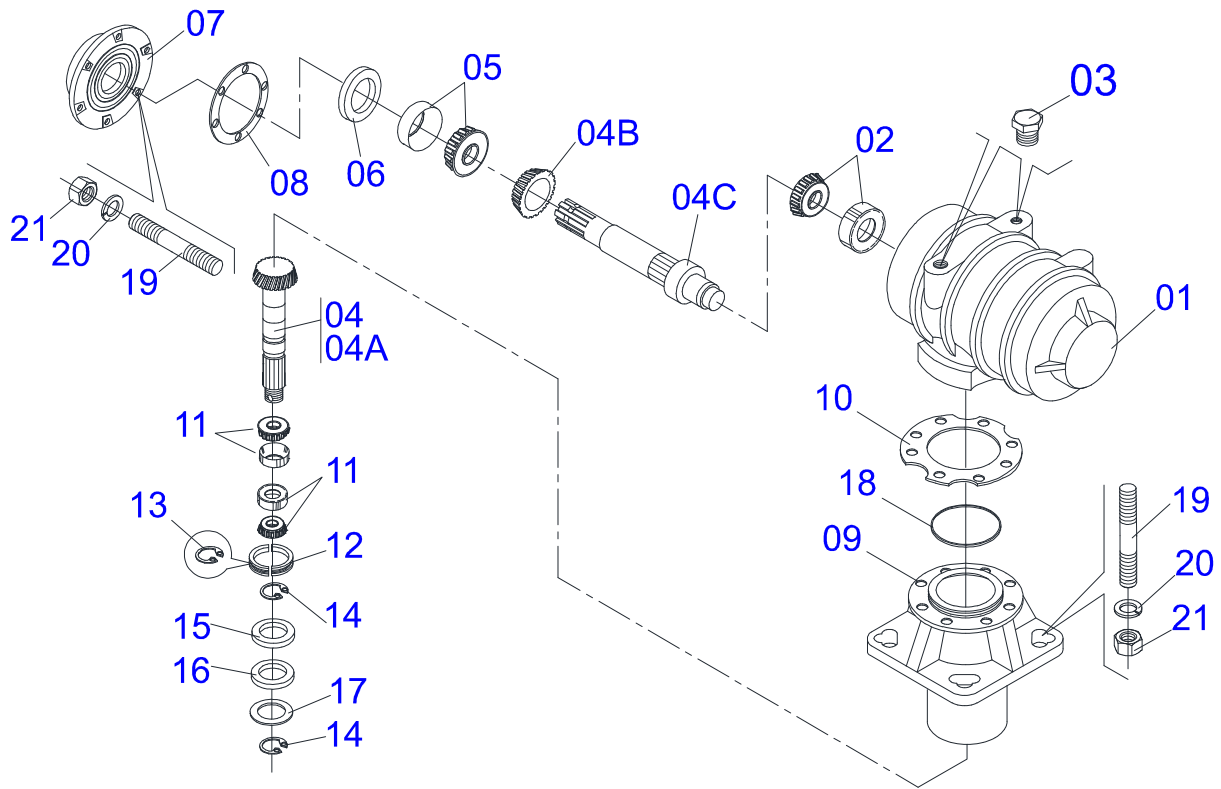


| Item | Code | Description | QT |
|------|------------|-----------------------------------|----|
| 001 | 0501053414 | CENTER FRAME RCA2/E 3400 | 01 |
| 002 | 0531012224 | FRAME UNION AXLE | 02 |
| 003 | 0503010571 | 1/4" X 1.1/2" COTTERPIN | 04 |
| 004 | 0511054559 | MULTIP RIGHT SIDE FRAME | 01 |
| 005 | 0501053416 | MULTIP LEFT SIDE FRAME | 01 |
| 006 | 0521013465 | SKID GUIDE | 01 |
| 007 | 0503012956 | 1/2" X 1-1/2" BOLT | 02 |
| 008 | 0511017302 | FLAT WASHER | 02 |
| 009 | 0503010020 | 1/2" NUT | 02 |
| 010 | 0511040198 | DRIVE SHAFT | 02 |
| 011 | 0501049129 | DRIVE SHAFT | 01 |
| 012 | 0501053419 | HUB CENTER WHELLS SUPPORT | 01 |
| 013 | 0511060360 | WHEELS RIGHT FIXER | 01 |
| 014 | 0511060361 | WHEELS LEFT FIXER | 01 |
| 015 | 0503010795 | 5/8" X 7" BOLT | 06 |
| 016 | 0503010027 | 5/8" SPRING WASHER | 06 |
| 017 | 0503010013 | 5/8" NUT | 06 |
| 018 | 0501053420 | HUB SIDE WHELLS SUPPORT | 02 |
| 019 | 0503011198 | 3/4" X 6" BOLT | 03 |
| 020 | 0511017147 | 0.8" X 1.2" X 4.1" BUSHING | 03 |
| 021 | 0503010023 | 3/4" SPRING WASHER | 03 |
| 022 | 0503010014 | 3/4" NUT | 03 |
| 023 | 0502011268 | ARTICULATOR BODY | 02 |
| 024 | 0521010627 | 1.2" X 2.8" CROSSPIECE COUP SHAFT | 04 |
| 025 | 0521018993 | CROSSPIECE COUPLING SHAFT | 02 |
| 026 | 0521010907 | FLAT WASHER | 08 |
| 027 | 0503011141 | 3/8" X 2-3/4" BOLT | 08 |
| 028 | 0503010025 | 3/8" SPRING WHASHER | 08 |
| 029 | 0503010026 | 3/8" NUT | 08 |
| 030 | 0503010010 | 1/4" X 2.1/2" COTTERPIN | 02 |
| 031 | 0503010002 | GREASE FITTING | 05 |
| 032 | 0501043559 | RUBBER WHEEL ASSY | 04 |
| 033 | 0511062794 | SMALLER STABILIZER | 01 |

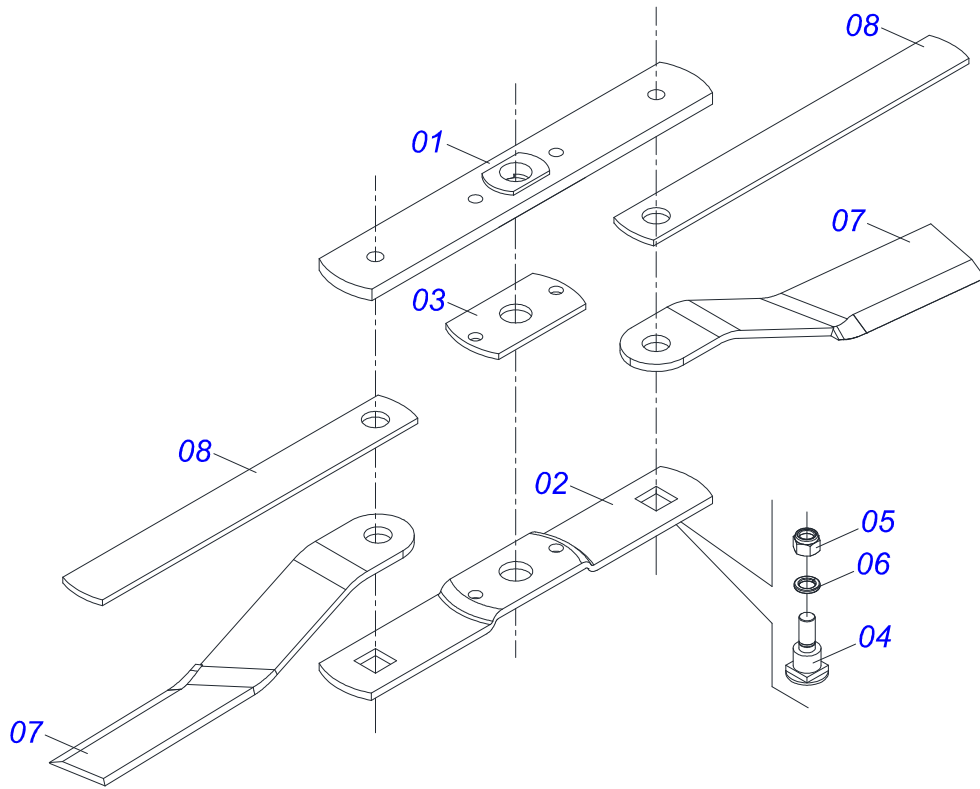
| Item | Code | Description | QT |
|------|------------|--|----|
| 034 | 0521064756 | | 01 |
| 035 | 0511062795 | LARGER STABILIZER | 01 |
| 036 | 0501064974 | LOCKNUT WITH HANDLER | 01 |
| 037 | 0521010572 | 0.9" X 2.9" COUPLING SHAFT | 01 |
| 038 | 0521010585 | 0.9" X 5.9" COUPLING SHAFT | 01 |
| 039 | 0503010571 | 1/4" X 1.1/2" COTTERPIN | 06 |
| 040 | 0511040988 | PROTECTION WHEELS REAR ASSY | 02 |
| 041 | 0511058441 | HYDRAULIC CYLINDER 44,45 X 85,70 X 540 X 179 | 01 |
| 042 | 0521010575 | COUPLING SHAFT | 01 |
| 043 | 0521010585 | 0.9" X 5.9" COUPLING SHAFT | 01 |
| 044 | 0521014258 | LOCK BOLT | 01 |
| 045 | 0501068994 | 0.3" X 3.1" LOCK PIN | 01 |
| 046 | 0503030168 | HAIR PIN | 01 |
| 047 | 0511017628 | BREATHING HOLE OF THE CYLINDER HIDR | 01 |
| 048 | 0501080422 | 3/8" X 157" TC-TM HOSE ASSY | 01 |
| 049 | 0502012702 | UPPER CLAMP BODY | 01 |
| 050 | 0503012555 | 7/16" X 2" BOLT | 01 |
| 051 | 0503010180 | 7/16" SPRING WASHER | 01 |
| 052 | 0501053834 | QUICK CONECTION (MALE) 1/2NPT | 01 |
| 053 | 0531012226 | STABILIZER BAR | 02 |
| 054 | 0561010384 | | 04 |
| 055 | 0521010456 | 13,2 X 25 X 25 SLEEVE | 03 |
| 056 | 0503010905 | 1/2" X 2-1/4" BOLT | 03 |
| 057 | 0503010019 | 1/2" SPRING WASHER | 03 |
| 058 | 0503010060 | 1/2" NUT | 03 |
| 059 | 0501053417 | DRAWBAR ASSY | 01 |
| 060 | 0521010572 | 0.9" X 2.9" COUPLING SHAFT | 02 |
| 061 | 0501040343 | DRAWBOLT ASSY | 01 |
| 061A | 0521010453 | COUPLING SHAFT | 01 |
| 061B | 0503031035 | HAIR PIN | 01 |
| 062 | 0503062157 | HEADER JACK | 01 |
| 063 | 0521010549 | COUPLING SHAFT | 01 |
| 064 | 0503030168 | HAIR PIN | 01 |
| 065 | 0531018032 | RIGHT PROTECTION COVER | 01 |
| 066 | 0531018033 | LEFT PROTECTION COVER | 01 |
| 067 | 0503010025 | 3/8" SPRING WHASHER | 08 |
| 068 | 0503010256 | 3/8" X 3/4" BOLT | 08 |
| 069 | 0501010984 | FLAT WASHER | 08 |
| 070 | 0511066921 | CHAIN PROTECTION | 06 |
| 071 | 0503010849 | 3/8" X 1-1/2" BOLT | 12 |
| 072 | 0501010984 | FLAT WASHER | 12 |
| 073 | 0503010025 | 3/8" SPRING WHASHER | 12 |
| 074 | 0503010026 | 3/8" NUT | 12 |
| 075 | 0501110186 | OIL SMALLER LEVEL INDICATOR | 01 |
| 076 | 0511019921 | 1.3" X 0.1" X 1" SLEEVE | 01 |



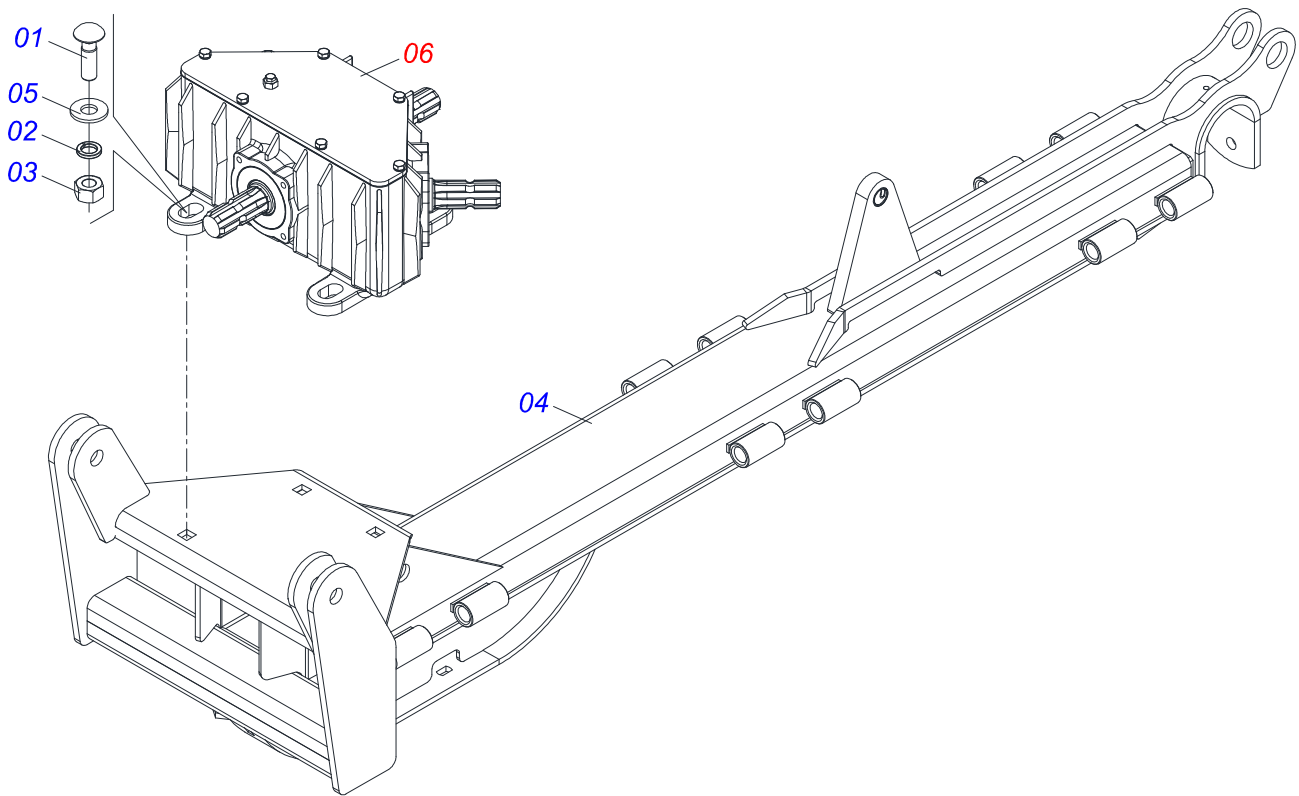
| Item | Code | Description | QT |
|------|------------|-------------------------------|----|
| 001 | 0521063920 | | 01 |
| 002 | 0511042527 | SPEED MULTIPLIER | 01 |
| 003 | 0503011442 | 3/4" SPRING WASHER | 06 |
| 004 | 0503010014 | 3/4" NUT | 06 |
| 005 | 0501056339 | | 01 |
| 006 | 0502012453 | SUPPORT FLANGE | 01 |
| 007 | 0503013122 | 3/4" X 4-1/4" BOLT | 04 |
| 008 | 0503012911 | 3/4" X 5" BOLT | 02 |
| 009 | 0501010536 | 0.4" X 1.7" KEYWAY SQUARE | 02 |
| 010 | 0501017779 | FLAT WASHER | 01 |
| 011 | 0503010817 | 1.1/4" UNF SELF ADJUSTING NUT | 01 |
| 012 | 0501010322 | FLAT WASHER | 04 |



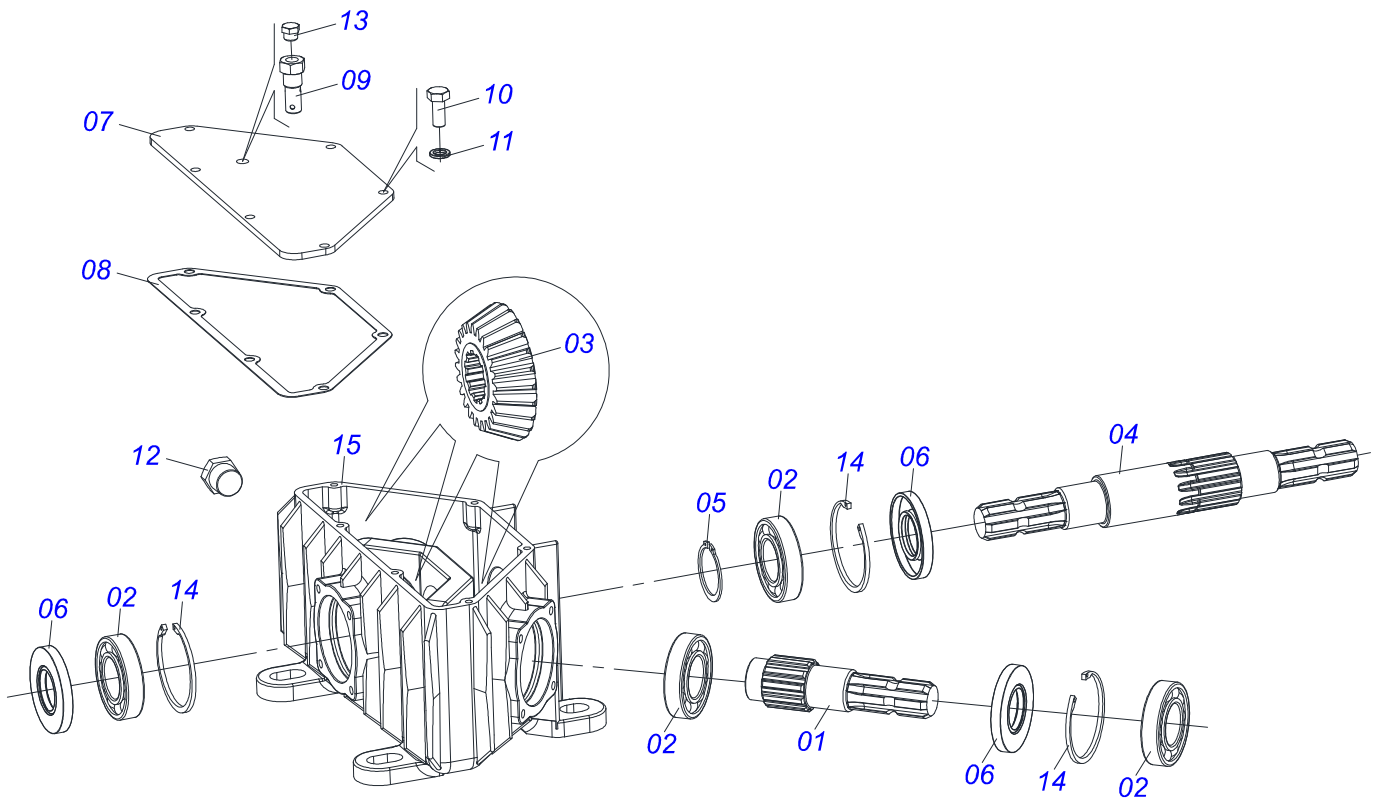
| Item | Code | Description | |
|------|------------|---------------------------------|----|
| 01 | 0502012204 | SPEED MULTIPLIER BOX | 01 |
| 02 | 0503012418 | 32211 ROLLER BEARING | 01 |
| 03 | 0503031604 | 1/2" BSP PLUG | 02 |
| 04 | 0503061699 | | 01 |
| 04A | 0503031918 | 18Z CONICAL GEAR | 01 |
| 04B | 0503031917 | 12Z LOWER CONICAL GEAR | 01 |
| 04C | 0503031924 | UPPER AXLE | 01 |
| 05 | 0503010750 | 30209 BALL BEARING | 01 |
| 06 | 0503012103 | 5301 -BSEAL | 01 |
| 07 | 0502012203 | RH COVER MULTIPLIER | 01 |
| 08 | 0503030783 | 7.1" X 5.3" X 0.008" JOINT | 06 |
| 09 | 0502012206 | LOWER HUB | 01 |
| 10 | 0503030785 | 7.9" X 5.9" X 0.008" JOINT | 03 |
| 11 | 0503012418 | 32211 ROLLER BEARING | 02 |
| 12 | 0531019302 | LOCK RING | 01 |
| 13 | 0503012311 | 501065 RENO RING | 01 |
| 14 | 0503011420 | 502100 CLAMPING RING (FOR AXLE) | 02 |
| 15 | 0503013211 | 6016 BRG SEAL | 01 |
| 16 | 0503013201 | ARCA 6016 BRG SEAL | 01 |
| 17 | 0531018823 | FLAT WASHER | 01 |
| 18 | 0503010286 | 2-355 N 3006-9B O'RING | 01 |
| 19 | 0503030084 | 1/2" X 1/2" X 2.0" STUD | 14 |
| 20 | 0503011440 | 1/2" SPRING WASHER | 14 |
| 21 | 0503010028 | 1/2" NUT | 14 |



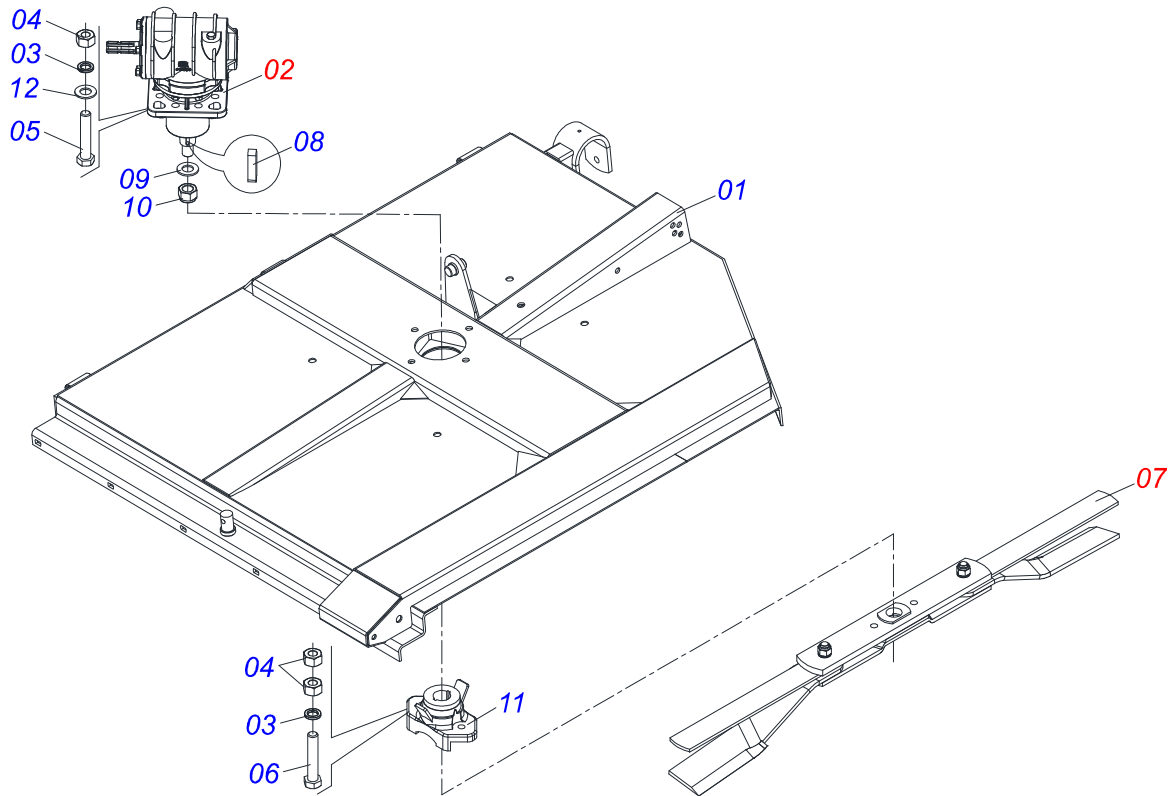
| Item | Code | Description | QT |
|------|------------|-------------------------------------|----|
| 001 | 0561017307 | SUPPORT UPPER BASE | 01 |
| 002 | 0561017369 | ROTARY LOWER SUPPORT LOWER | 01 |
| 003 | 0561017309 | ROCADORES SUPPORT CHOCK | 01 |
| 004 | 0531014512 | FASTERNER ROCADORES | 02 |
| 005 | 0503010812 | 7/8" UNF SELF ADJUSTING NUT | 02 |
| 006 | 0503011447 | 7/8" SPRING WASHER | 02 |
| 007 | 0622400055 | RH 24"X4"X0,5" ROTARY CUTTER BLADES | 02 |
| 008 | 0531015055 | 620 FOLLOWER | 02 |



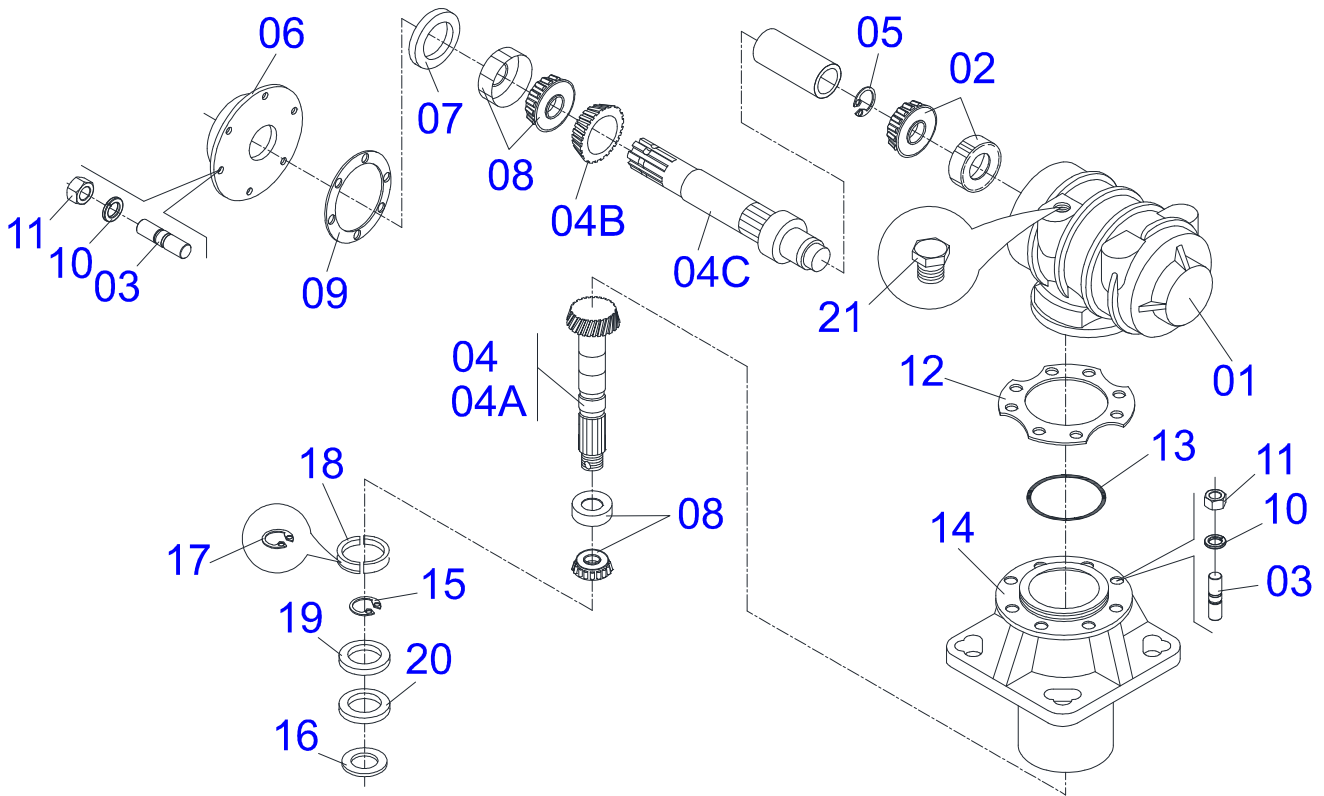
| Item | Code | Description | QT |
|------|------------|---------------------------|----|
| 001 | 0503014249 | | 04 |
| 002 | 0503011442 | 3/4" SPRING WASHER | 04 |
| 003 | 0503010014 | 3/4" NUT | 04 |
| 004 | 0521065964 | | 01 |
| 005 | 0501010322 | FLAT WASHER | 04 |
| 006 | 0501044074 | TRIPE DISTRIBUTOR RC 4500 | 01 |



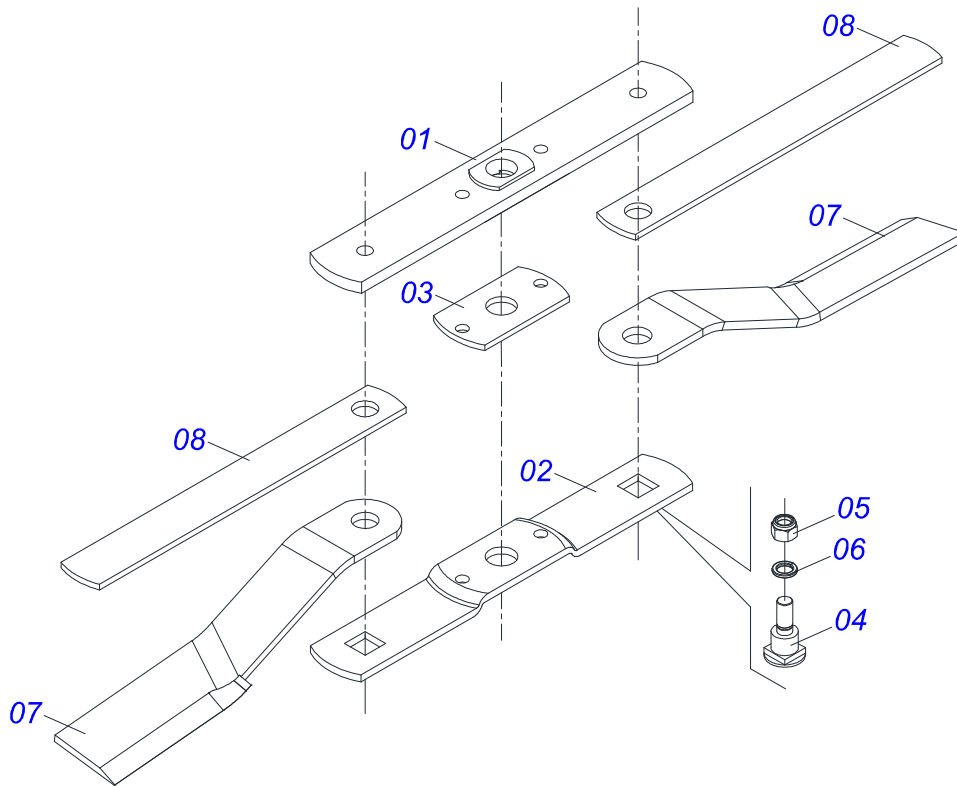
| Item | Code | Description | QT |
|------|------------|---------------------------------|----|
| 001 | 0503030633 | SIDE AXLE | 02 |
| 002 | 0503011095 | 6208 BALL BEARING | 06 |
| 003 | 0503030632 | 24Z CONICAL GEAR | 03 |
| 004 | 0503030631 | CENTRAL AXLE | 01 |
| 005 | 0503010372 | 501050 CLAMPING RING (FOR AXLE) | 01 |
| 006 | 0503010818 | 02675-BRG SEAL | 04 |
| 007 | 0511011206 | BOX COVER | 01 |
| 008 | 0503030656 | 13.9" X 6.1" X 0.03" JOINT | 01 |
| 009 | 0511013020 | 1.49" BREATHING HOLE | 01 |
| 010 | 0503010240 | 5/16" X 3/4" BOLT | 06 |
| 011 | 0503011444 | 5/16" SPRING WASHER | 06 |
| 012 | 0503010856 | 3/8" OIL PLUG | 01 |
| 013 | 0511017907 | 1/8" BSPT X 6 PLUG | 01 |
| 014 | 0503011100 | 502080 CLAMPING RING (FOR AXLE) | 08 |
| 015 | 0502010861 | DISTRIBUTOR BOX | 01 |



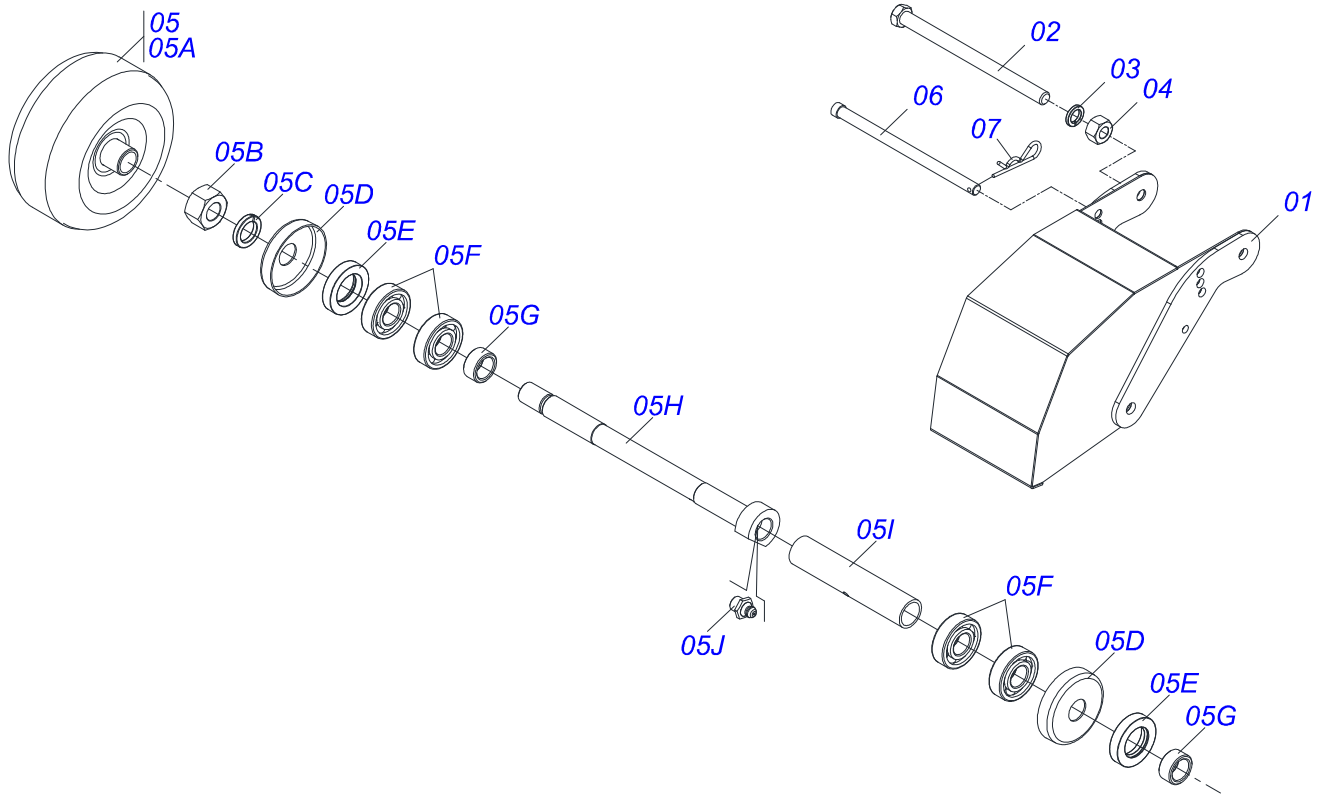
| Item | Code | Description | QT |
|------|------------|-------------------------------|----|
| 001 | 0511062792 | LEFT FRAME | 01 |
| 002 | 0511042525 | BOX MULTIPLIER | 01 |
| 003 | 0503011442 | 3/4" SPRING WASHER | 06 |
| 004 | 0503010014 | 3/4" NUT | 06 |
| 005 | 0503013122 | 3/4" X 4-1/4" BOLT | 04 |
| 006 | 0503012911 | 3/4" X 5" BOLT | 02 |
| 007 | 0501056340 | | 01 |
| 008 | 0501010536 | 0.4" X 1.7" KEYWAY SQUARE | 02 |
| 009 | 0501017779 | FLAT WASHER | 01 |
| 010 | 0503010817 | 1.1/4" UNF SELF ADJUSTING NUT | 01 |
| 011 | 0502012453 | SUPPORT FLANGE | 01 |
| 012 | 0501010322 | FLAT WASHER | 04 |



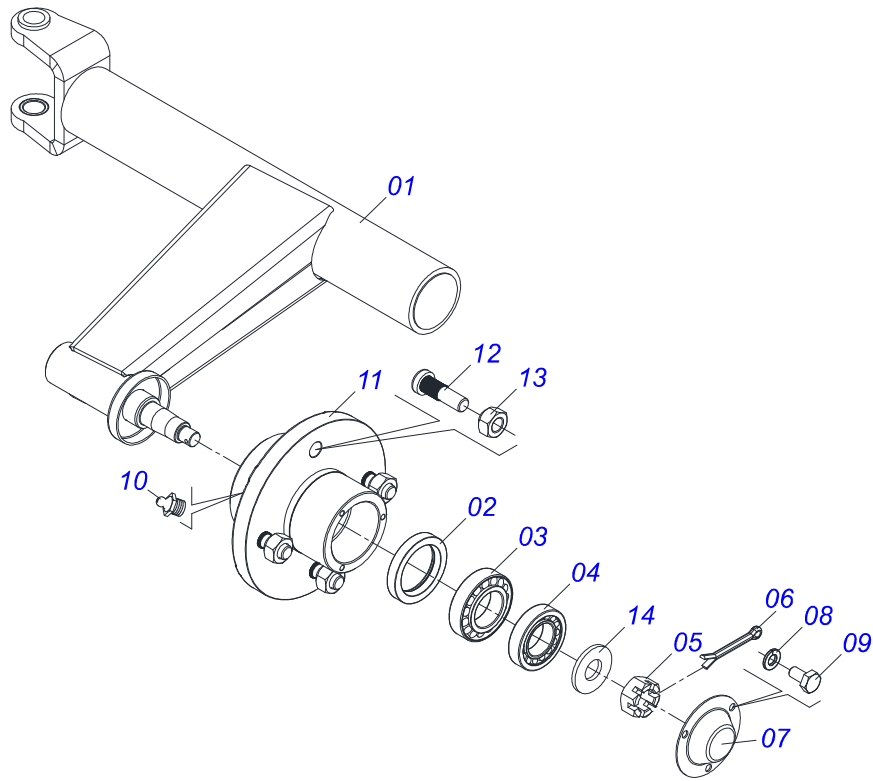
| Item | Code | Description | |
|------|------------|------------------------------------|----|
| 01 | 0502012205 | BOX MULTIPLIER | 01 |
| 02 | 0503010750 | 30209 BALL BEARING | 01 |
| 03 | 0503030084 | 1/2" X 1/2" X 2.0" STUD | 14 |
| 04 | 0503061698 | CROWN PINION SET 12Z 12Z AXLE LEFT | 01 |
| 04A | 0503031917 | 12Z LOWER CONICAL GEAR | 01 |
| 04B | 0503031918 | 18Z CONICAL GEAR | 01 |
| 04C | 0503032043 | UPPER AXLE | 01 |
| 05 | 0503014772 | 501056 CLAMPING RING (FOR AXLE) | 01 |
| 06 | 0502012207 | COVER MULTIPLIER | 01 |
| 07 | 0503012103 | 5301 -BSEAL | 01 |
| 08 | 0503012418 | 32211 ROLLER BEARING | 03 |
| 09 | 0503030783 | 7.1" X 5.3" X 0.008" JOINT | 03 |
| 10 | 0503011440 | 1/2" SPRING WASHER | 14 |
| 11 | 0503010028 | 1/2" NUT | 14 |
| 12 | 0503030785 | 7.9" X 5.9" X 0.008" JOINT | 03 |
| 13 | 0503010286 | 2-355 N 3006-9B O'RING | 01 |
| 14 | 0502012206 | LOWER HUB | 01 |
| 15 | 0503011420 | 502100 CLAMPING RING (FOR AXLE) | 02 |
| 16 | 0531018823 | FLAT WASHER | 01 |
| 17 | 0503012311 | 501065 RENO RING | 01 |
| 18 | 0531019302 | LOCK RING | 01 |
| 19 | 0503013211 | 6016 BRG SEAL | 01 |
| 20 | 0503013201 | ARCA 6016 BRG SEAL | 01 |
| 21 | 0503031604 | 1/2" BSP PLUG | 01 |



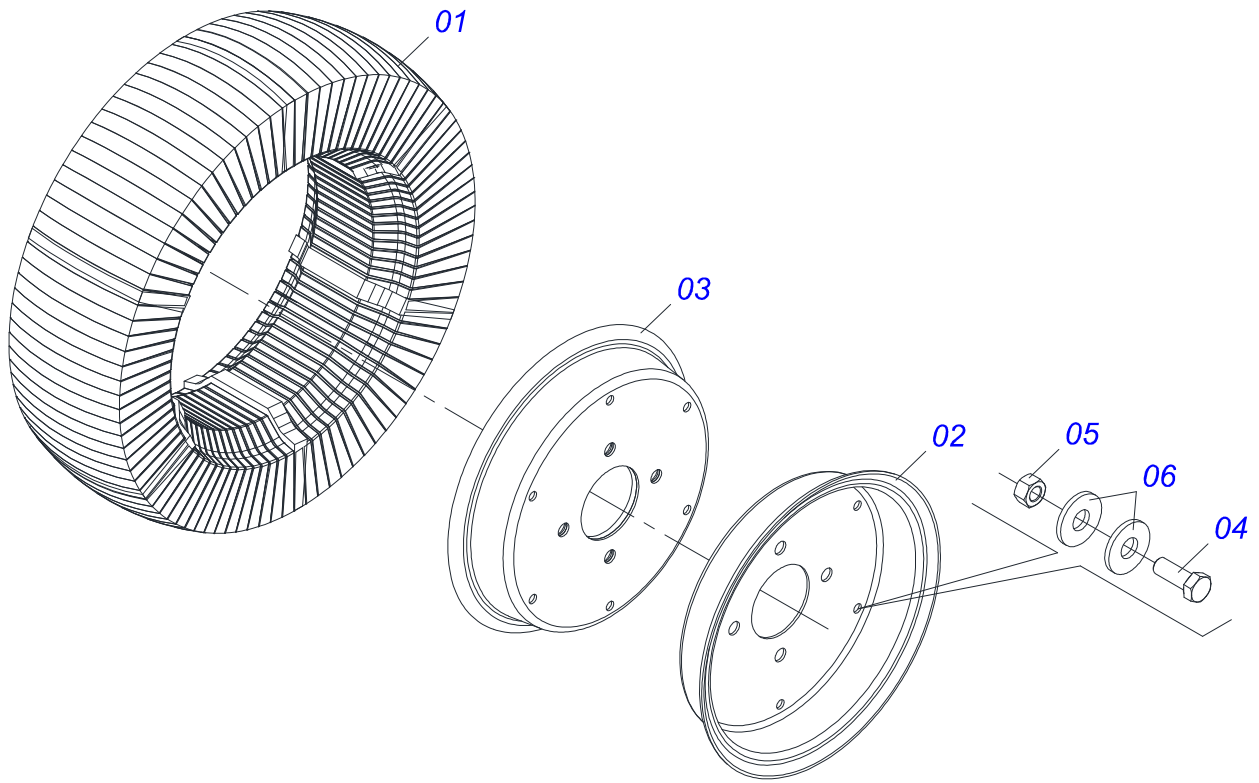
| Item | Code | Description | QT |
|------|------------|------------------------------------|----|
| 001 | 0561017307 | SUPPORT UPPER BASE | 01 |
| 002 | 0561017369 | ROTARY LOWER SUPPORT LOWER | 01 |
| 003 | 0561017309 | ROCADORES SUPPORT CHOCK | 01 |
| 004 | 0531014512 | FASTERNER ROCADORES | 02 |
| 005 | 0503010812 | 7/8" UNF SELF ADJUSTING NUT | 02 |
| 006 | 0503011447 | 7/8" SPRING WASHER | 02 |
| 007 | 0622400056 | 24"X4"X0,5" LEFT ROTARY CUT BLADES | 02 |
| 008 | 0531015055 | 620 FOLLOWER | 02 |



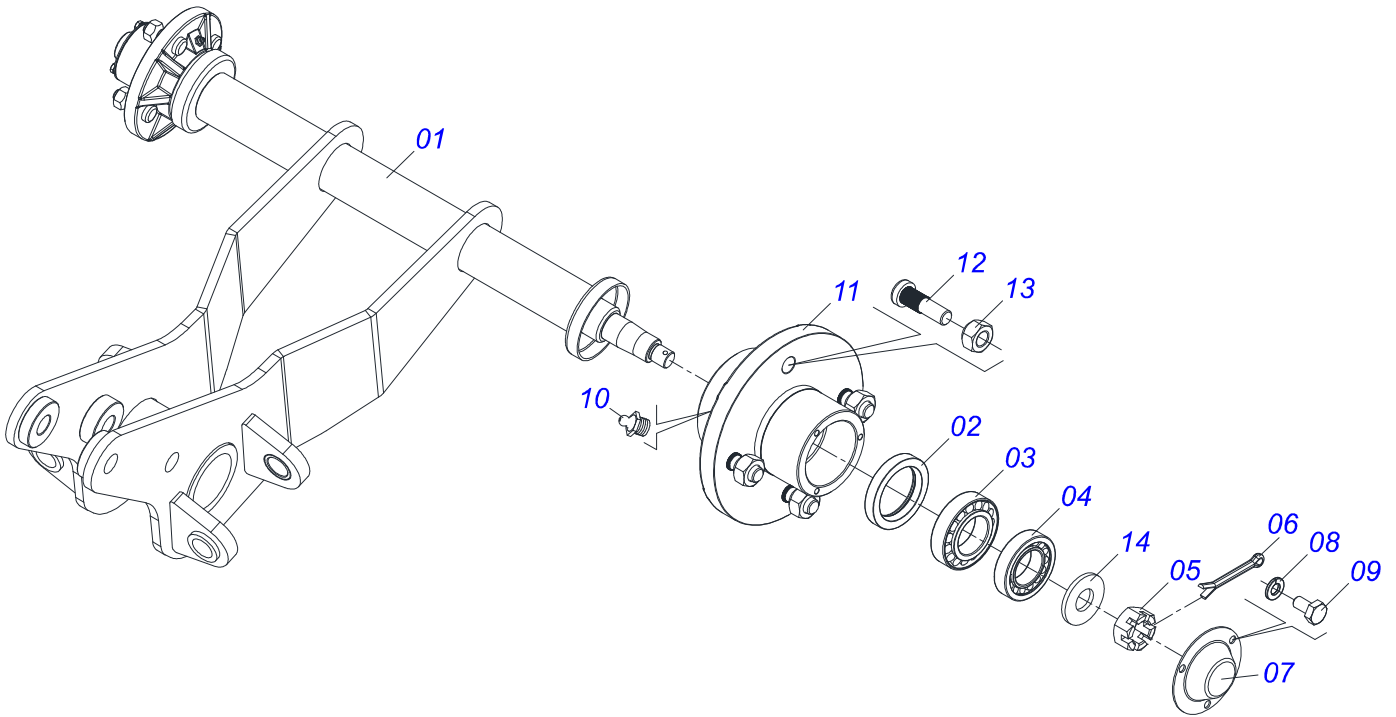
| Item | Code | Description | |
|------|------------|---------------------------|----|
| 01 | 0511061700 | COVER FRONT WHEEL SUPPORT | 01 |
| 02 | 0503012951 | 3/4" X 10-1/2" BOLT | 01 |
| 03 | 0503010023 | 3/4" SPRING WASHER | 02 |
| 04 | 0503010014 | 3/4" NUT | 02 |
| 05 | 0501053885 | ARM REAR WHELL | 01 |
| 05A | 0511063509 | 14" X 8" WHELL | 01 |
| 05B | 0503010014 | 3/4" NUT | 01 |
| 05C | 0503010023 | 3/4" SPRING WASHER | 01 |
| 05D | 0511014254 | DUST CLOAK | 02 |
| 05E | 0503010268 | 00262-B SEAL | 02 |
| 05F | 0503010269 | 6204 BALL BEARING | 04 |
| 05G | 0521010487 | SPACER WASHER | 02 |
| 05H | 0551011854 | REAR CARRYING WHEELS AXLE | 01 |
| 05I | 0531014502 | 0.9" X 1.1" X 6.3" SLEEVE | 01 |
| 05J | 0503010002 | GREASE FITTING | 01 |
| 06 | 0531014507 | 0.6" X 10" COUPLING SHAFT | 01 |
| 07 | 0503030168 | HAIR PIN | 01 |



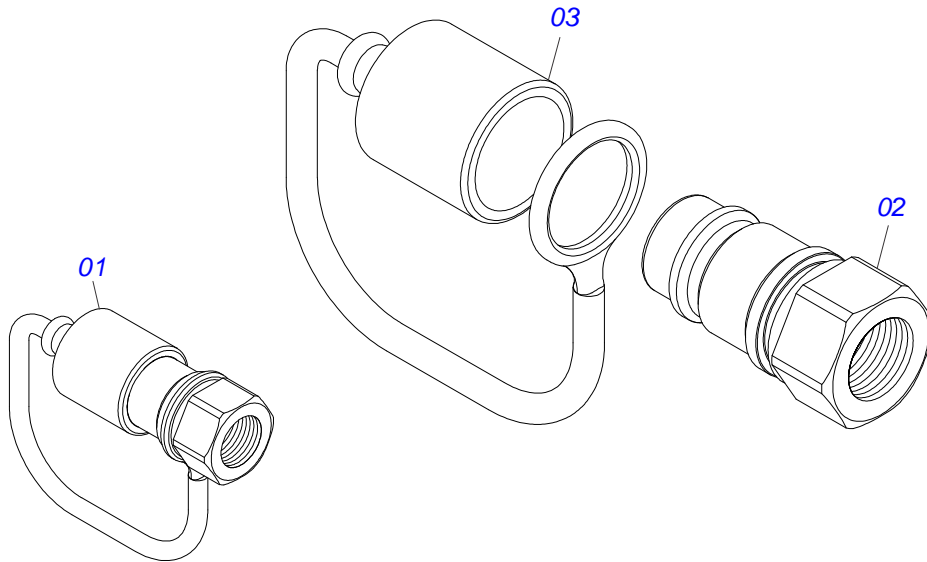
| Item | Code | Description | QT |
|------|------------|--------------------------|----|
| 001 | 0511062796 | SIDE WHELLS SUPPORT | 01 |
| 002 | 0503010278 | SEAL # 00527-B | 01 |
| 003 | 0503010016 | BEARING LM 48548/48510 | 01 |
| 004 | 0503010022 | BEARING LM 67048/67010 | 01 |
| 005 | 0503030010 | 7/8" CASTLE NUT | 01 |
| 006 | 0503010018 | 5/32" X 1-1/2" COTTERPIN | 01 |
| 007 | 0521010388 | PROTECTIVE COVER | 01 |
| 008 | 0503011441 | SPRING WASHER | 03 |
| 009 | 0503013758 | 1/4" X 1-1/2" BOLT | 03 |
| 010 | 0503010002 | GREASE FITTING | 01 |
| 011 | 0501110746 | | 01 |
| 012 | 0501010127 | 9/16" X 1-7/8" LUG BOLT | 04 |
| 013 | 0503010035 | 9/16" CONIC NUT | 04 |
| 014 | 0501010322 | FLAT WASHER | 01 |



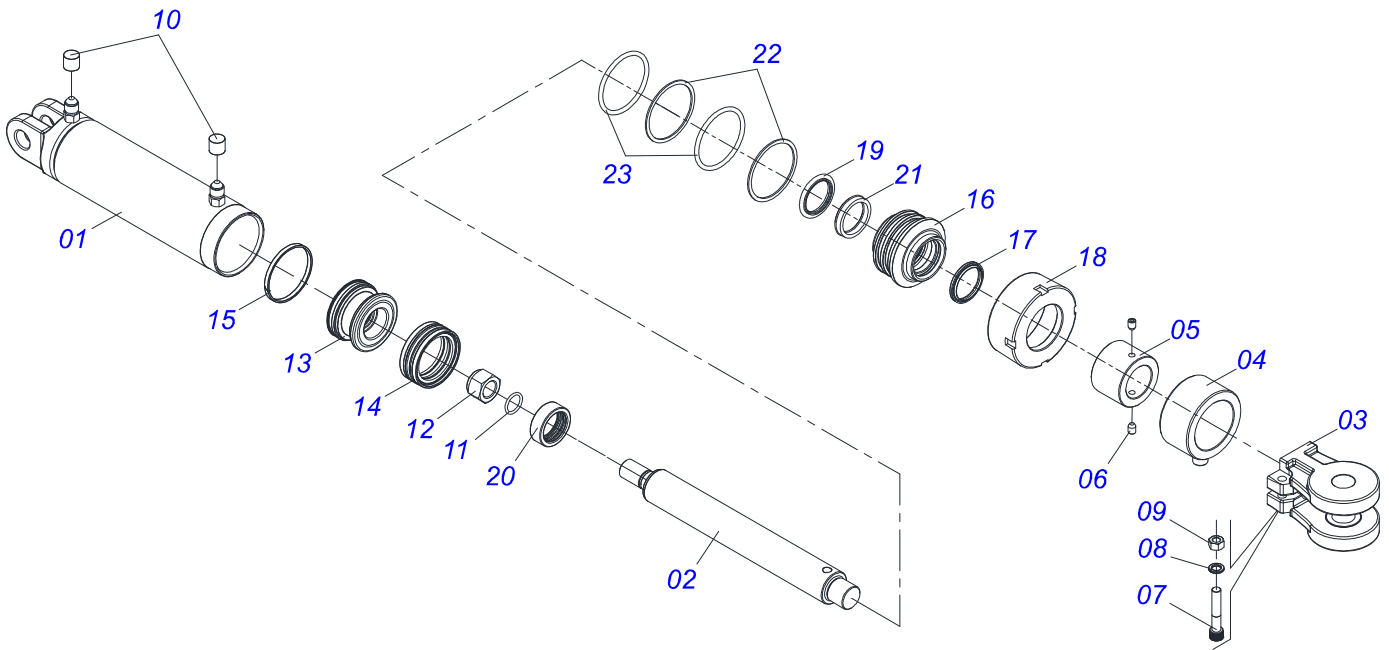
| Item | Code | Description | QT |
|------|------------|----------------|----|
| 001 | 0501110168 | | 01 |
| 002 | 0521010829 | | 01 |
| 003 | 0501069093 | | 01 |
| 004 | 0503010237 | 3/8" X 1" BOLT | 06 |
| 005 | 0503010026 | 3/8" NUT | 06 |
| 006 | 0501012803 | FLAT WASHER | 12 |



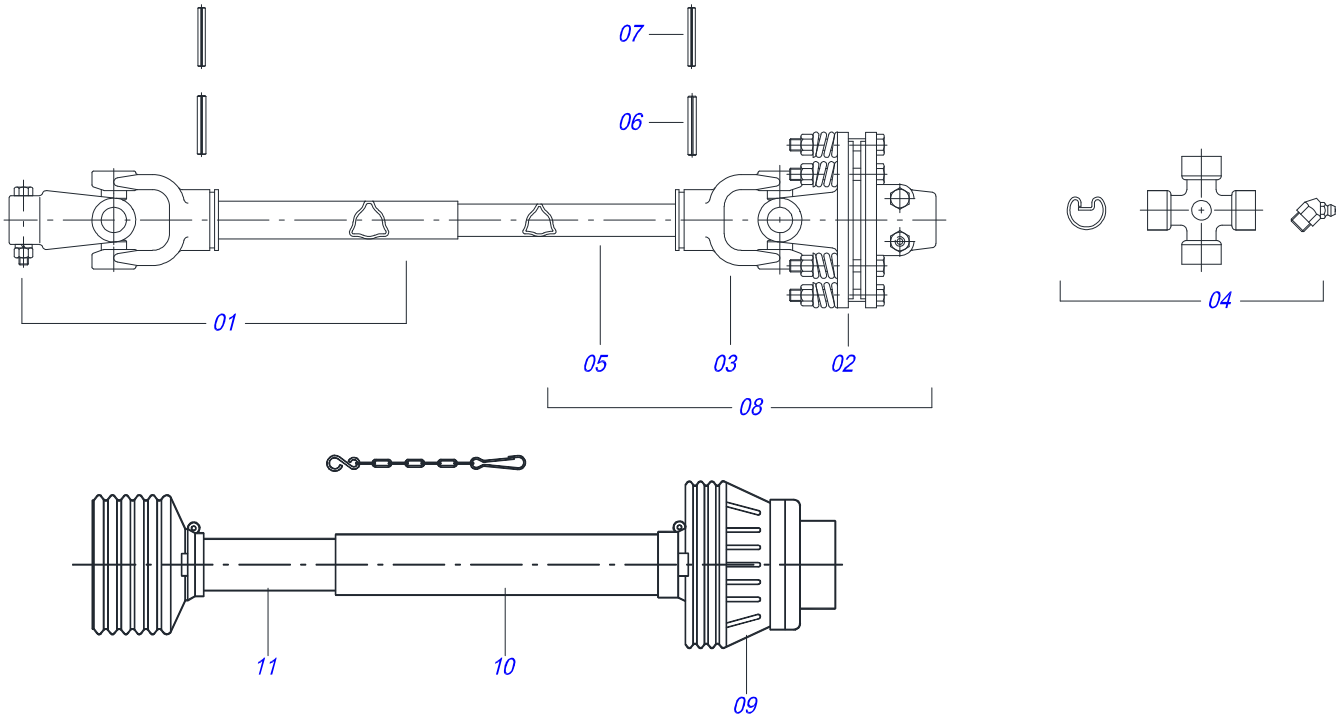
| Item | Code | Description | QT |
|------|------------|--------------------------|----|
| 001 | 0511062797 | CENTER WHELLS SUPPORT | 01 |
| 002 | 0503010278 | SEAL # 00527-B | 02 |
| 003 | 0503010016 | BEARING LM 48548/48510 | 02 |
| 004 | 0503010022 | BEARING LM 67048/67010 | 02 |
| 005 | 0503030010 | 7/8" CASTLE NUT | 02 |
| 006 | 0503010018 | 5/32" X 1-1/2" COTTERPIN | 02 |
| 007 | 0521010388 | PROTECTIVE COVER | 02 |
| 008 | 0503011441 | SPRING WASHER | 06 |
| 009 | 0503013758 | 1/4" X 1-1/2" BOLT | 06 |
| 010 | 0503010002 | GREASE FITTING | 02 |
| 011 | 0501110746 | | 02 |
| 012 | 0501810127 | 9/16UNFX1.7/8BOLT | 08 |
| 013 | 0503810035 | 9/16 NF CONIC NUT | 08 |
| 014 | 0501010322 | FLAT WASHER | 02 |



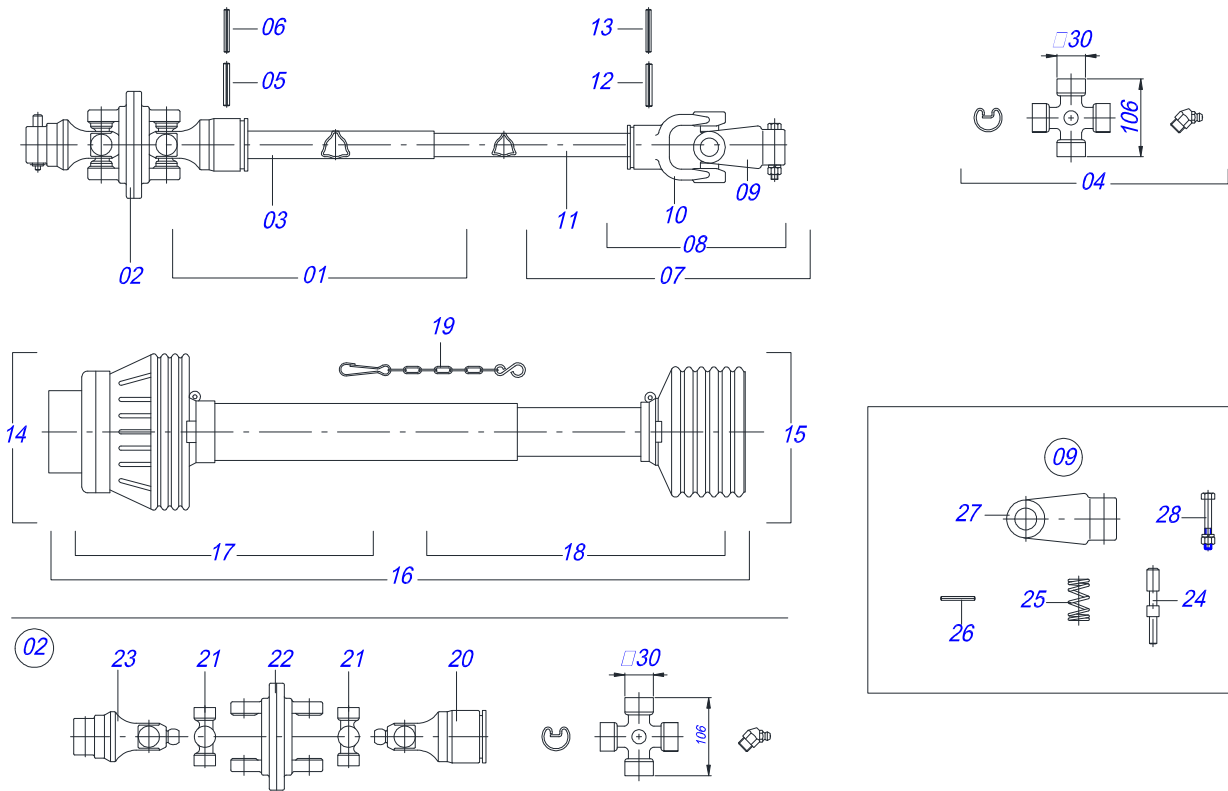
| Item | Code | Description | QT |
|------|------------|-------------------------------------|----|
| 01 | 0501053834 | QUICK CONECTION (MALE) 1/2NPT | 02 |
| 02 | 0503011627 | QUICK CONNECTION (MALE) AGR 1/2 NPT | 01 |
| 03 | 0503011882 | QUICK CONNECTION COVER | 01 |



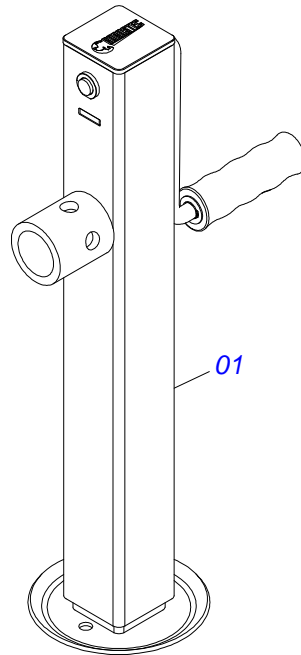
| Item | Code | Description | QT |
|------|------------|-----------------------------------|----|
| 01 | 0501064255 | 2.4" X 8" CYLINDER CASE | 01 |
| 02 | 0521014292 | 1.7" X 15" TURNBUCLE WITH HOLES | 01 |
| 03 | 0502040493 | CLEVIS 26,50 R41 | 01 |
| 04 | 0511060370 | CARRY-W REG OUTER BODY ASSY | 01 |
| 05 | 0521014003 | REG INNER BODY OF THE CARRY-WHEEL | 01 |
| 06 | 0503011148 | 3/8" X 1/2" BOLT | 02 |
| 07 | 0503011094 | 3/8" X 2" BOLT C C S I 12.9 | 01 |
| 08 | 0503010025 | 3/8" SPRING WHASHER | 01 |
| 09 | 0503010026 | 3/8" NUT | 01 |
| 10 | 0503030385 | PLUG | 02 |
| 11 | 0503010042 | 2-214 N 3006-9B O'RING | 01 |
| 12 | 0503010063 | 1" SELF-ALIGNING NUT | 01 |
| 13 | 0571019710 | 1.7" X 3.4" PISTON | 01 |
| 14 | 0503017935 | RING | 01 |
| 15 | 0503018144 | RING | 01 |
| 16 | 0571019711 | RING SUPPORT | 01 |
| 17 | 0503010761 | D-1750 SCRAPER RING | 01 |
| 18 | 0571019709 | DETACHABLE COVER | 01 |
| 19 | 0503017936 | RING | 01 |
| 20 | 0503017938 | RING GUIDE | 01 |
| 21 | 0503017937 | GASKET | 01 |
| 22 | 0503017940 | 8-337 BACK-UP RING | 02 |
| 23 | 0503017939 | 2-337 N 3006-9B O' RING | 02 |
| 24 | 0501031796 | HYDRAULIC CYLINDER REPAIR KIT | |



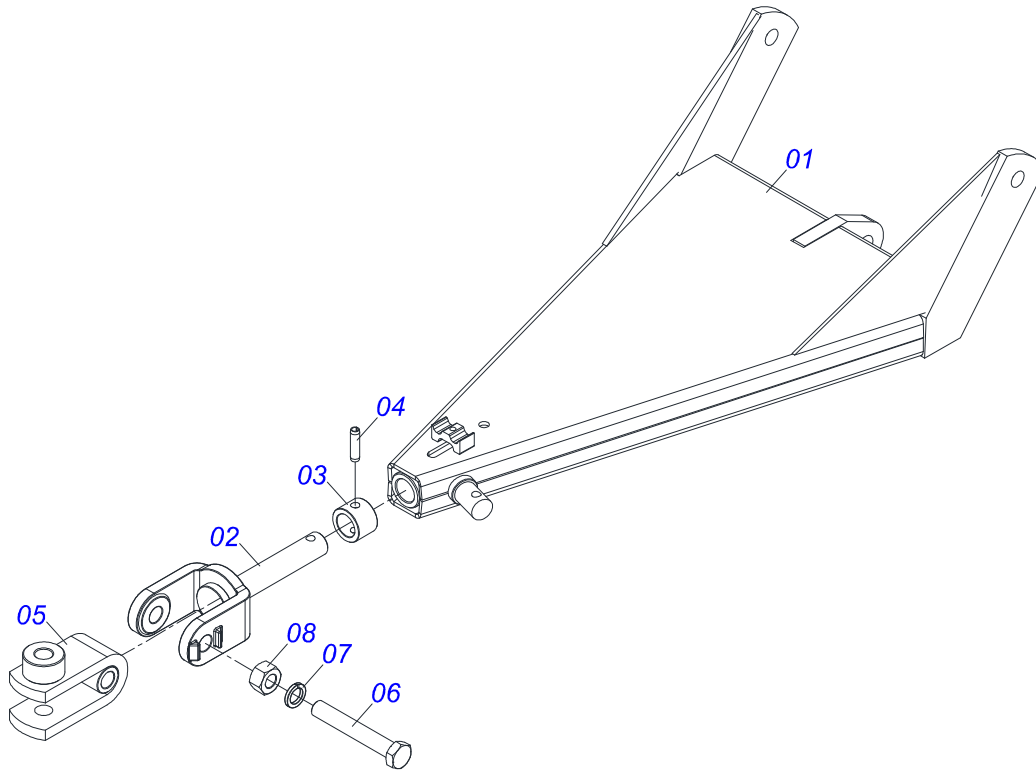
| Item | Code | Description | |
|------|------------|-------------------------------|----|
| 00 | 0511040198 | DRIVE SHAFT | 01 |
| 01 | 0503013279 | FEMALE CARDAN | 01 |
| 02 | 0501047953 | 90 KGM FRICTION | 01 |
| 03 | 0503013187 | TERMINAL | 01 |
| 04 | 0503013260 | CROSSPIECE | 01 |
| 05 | 0503013261 | MALE TRINGULAR TUBE | 01 |
| 06 | 0503010842 | 0.39" X 2.95" SPRING PIN | 01 |
| 07 | 0503013259 | 0.2" X 0.39" SPRING PIN | 01 |
| 08 | 0503013278 | MALE CARDAN | 01 |
| 09 | 0503013262 | FRICTION DISC PROTECTION ASSY | 01 |
| 10 | 0503013263 | FEMALE PROTECTION TUBE | 01 |
| 11 | 0503013264 | MALE PROTECTION TUBE | 01 |



| Item | Code | Description | |
|------|------------|-------------------------------------|----|
| 01 | 0501052544 | HOMO JOINT WITH FEMALE BUSHING | 01 |
| 02 | 0501052518 | HOMOCINETIC JOINT ASSY | 01 |
| 03 | 0503012618 | 2.1" X 2.0" X 31" TRIAN FEMALE TUB | 01 |
| 04 | 0503010837 | CARDAN CROSSPIECE | 01 |
| 05 | 0503010843 | 0.4" X 3.3" SPRING PIN | 01 |
| 06 | 0503011878 | 0.2" X 3.3" SPRING PIN | 01 |
| 07 | 0501052545 | UNIVERSAL JOINT WITH CROSS/SHAFT | 01 |
| 08 | 0501052546 | UNIVERSAL JOINT | 01 |
| 09 | 0501052516 | T6-60 TERMINAL WITH SCREW | 01 |
| 10 | 0503012600 | T3-60/CI52 TERMINAL | 01 |
| 11 | 0503012619 | 1.8" X 1.7" X 31" TRIAN MALE TUB | 01 |
| 12 | 0503011069 | 0.4" X 2.8" SPRING PIN | 01 |
| 13 | 0503011805 | 0.2" X 2.8" SPRING PIN | 01 |
| 14 | 0501052548 | HOMO JOINT WITH PROT FEMALE BUSHING | 01 |
| 15 | 0501052549 | UNIVERSAL JOINT WITH SHAFT/PROT | 01 |
| 16 | 0503012620 | PROTECTION ASSY | 01 |
| 17 | 0503012621 | PROTECTION FOR HOMO JOINT AND SLEEV | 01 |
| 18 | 0503012076 | PROTECTION FOR UNIV JOINT AND AXLE | 01 |
| 19 | 0503012023 | CHAIN FOR UNIV JOINT PROTECTION | 01 |
| 20 | 0503012604 | HOMO TERMINAL W/ FEMALE BUSHING | 01 |
| 21 | 0503012605 | CROSSPIECE | 02 |
| 22 | 0503012606 | CENTER BODY | 01 |
| 23 | 0503012607 | TRACTOR HOMOCINETIC TERMINAL | 01 |
| 24 | 0521010638 | 0.5" X 3.3" QUIC HITCH COUPL SHAFT | 02 |
| 25 | 0503030518 | 0.5"X1.0"X 0.1" COMPRESSION SPRING | 02 |
| 26 | 0503010838 | 0.1" X 0.8" SPRING PIN | 02 |
| 27 | 0502010830 | 6-60 STRIATED 1.3/8" TERMINAL | 01 |
| 28 | 0501047759 | 1/2" X 3-1/2" BOLT ASSY | 02 |



| Item | Code | Description |
|------|------------|-------------|
| 01 | 0503062157 | HEADER JACK |



| Item | Code | Description | QT |
|------|------------|-------------------------------------|----|
| 001 | 0511062793 | DRAWBAR | 01 |
| 002 | 0521066536 | | 01 |
| 003 | 0521010473 | 1.5" X 2.2" X 1.6" SLEEVE WITH HOLE | 01 |
| 004 | 0503010815 | 0.5" X 2.16" SPRING PIN | 01 |
| 005 | 0521065106 | | 01 |
| 006 | 0501010191 | 1" X 6" BOLT | 01 |
| 007 | 0503011438 | 1" SPRING WASHER | 01 |
| 008 | 0501010059 | 1" NUT | 01 |



email: civemasa@civemasa.com.br

www.civemasa.com.br

Phone: +55 16.3382.8222

Fax: +55 16.3382.8355

MARCHESAN IMPLEMENTOS E MÁQUINAS AGRÍCOLAS "TATU" S.A.

Av. Marchesan, 1979 - Post Office box, 131 - Cep 15994-900 - Matão - Sp - Brasil

CNPJ 52.311.289/0001-63 | Inst. Est.441.000.151.114

Drafting and Illustration = GASPARI
e.mail = jgaspari@marchesan.com.br

**ORIGINAIS PARTS
CIVEMASA**

The Civemasa logo, identical to the one at the top of the page, is positioned at the bottom right of the page. It features the word "civemasa" in a bold, italicized, lowercase sans-serif font, with three vertical bars above the letters "i", "v", and "e" in orange, green, and orange colors.