

PARTS CATALOGUE

HOIST MOUNTED TYPE

GACH 1000

Code: 0501091637



Series: S-0881

Review: ABRIL/2016

**ORIGINAL PARTS
CIVEMASA**

civemasa

PRODUCTS

Code	Description	
0121570001	GACH 1000	S-0881

ATTENTION: **IMPORTANT**

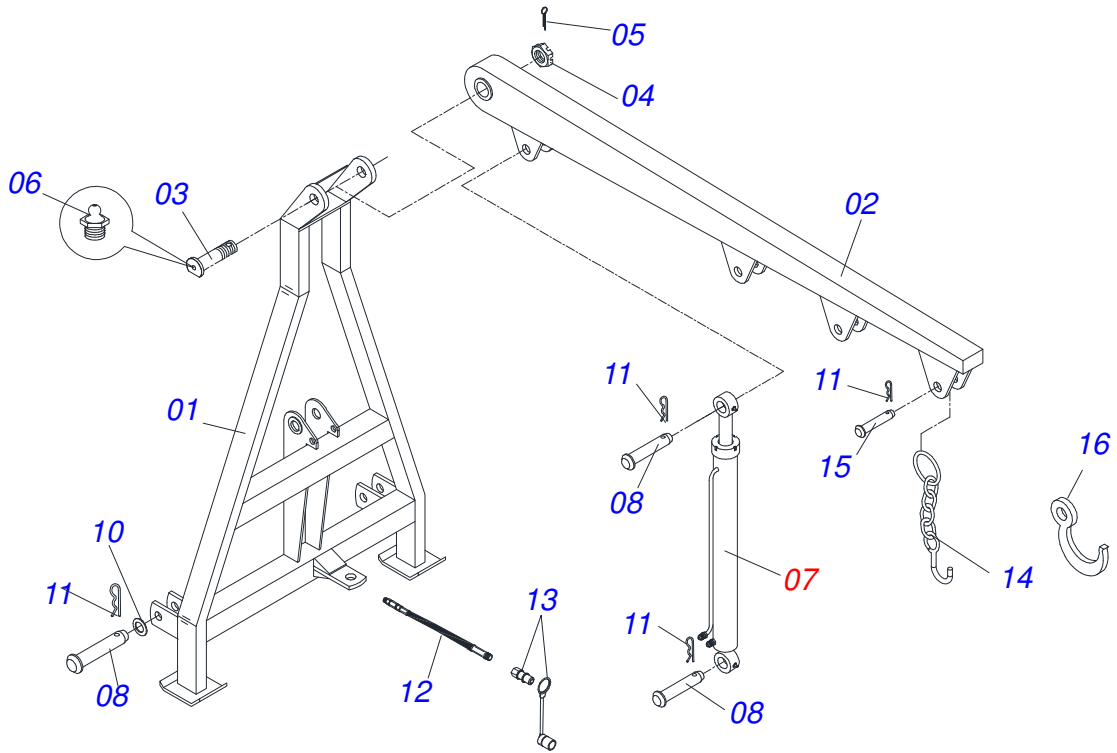
CIVEMASA RESERVES THE RIGHT AT ANY TIME TO MAKE IMPROVEMENTS IN THE DESIGN, MATERIAL OR SPECIFICATIONS OF MACHINERY, EQUIPMENT OR PARTS WITHOUT THEREBY BECOMING LIABLE TO MAKE SIMILAR CHANGES IN MACHINERY, EQUIPMENT OR PARTS PREVIOUSLY SOLD.

INDEX

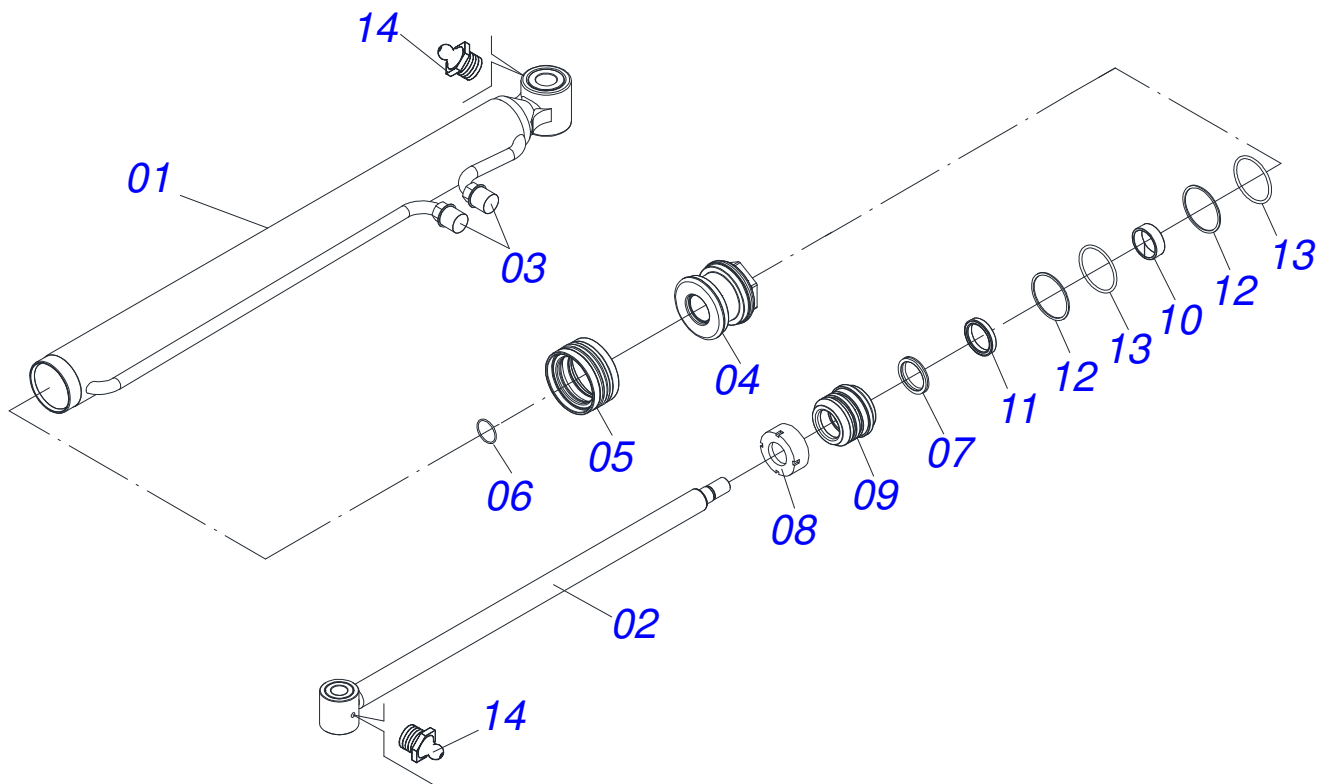
0909090372	HOIST MOUNTED TYPE 1000	1
0511058432	HYDRAULIC CYLINDER 38,1 X 63,5 X 950 X 708	2

ORIGINAL PARTS
CIVEMASA

civemasa



Item	Code	Description	QT
01	0501061062	FRAME GAT 1000	01
02	0501061063	MOBILE FRAME GAT 1000	01
03	0501010664	1.5" X 10.8" COUPLING SHAFT	01
04	0501011301	1.1/2 UNC 6FPP 2.5/16 NUT	01
05	0503010010	1/4" X 2.1/2" COTTERPIN	01
06	0503010002	1800 GREASE FITTING	01
07	0511058432	HYDRAULIC CYLINDER 38,1 X 63,5 X 950 X 708	01
08	0521012533	COUPLING SHAFT	04
09	0521010585	0.9" X 5.9" COUPLING SHAFT	01
10	0501010065	1" SPRING WASHER	04
11	0503031035	HAIR PIN	05
12	0501080071	1/2" X 53" TR-TM HOSE ASSY	02
13	0501053834	QUICK CONECTION (MALE) 1/2	02
14	0501061070	CHAIN 5/16" X 29" LINK WITH HOOK	01
15	0521010580	COUPLING SHAFT	01
16	0501013277	HOOK	01



Item	Code	Description	QT
001	0501062078	2.5" X 28" CYLINDER CASE	01
002	0521066633	TURNBUCLE BODY	01
003	0503030387	PLUG	02
004	0502012837	PISTON	01
005	0503018005	RING	01
006	0503011109	2-119 N 3006-9B O-RING	01
007	0503010163	D-1500 SCRAPER RING	01
008	0502010471	MOBILE COVER	01
009	0581010668	RING SUPPORT	01
010	0503018004	RING	01
011	0503018003	GASKET	01
012	0503018163	BACK-UP RING	02
013	0503018162	O-RING	02
014	0503010002	1800 GREASE FITTING	02



email: civemasa@civemasa.com.br

www.civemasa.com.br

Phone: +55 16.3382.8222

Fax: +55 16.3382.8355

MARCHESAN IMPLEMENTOS E MÁQUINAS AGRÍCOLAS "TATU" S.A.

Av. Marchesan, 1979 - Post Office box, 131 - Cep 15994-900 - Matão - Sp - Brasil

CNPJ 52.311.289/0001-63 | Inst. Est.441.000.151.114

Technical Publications: Elaboration

MARINA PEREZ NIZA

Technical Publications: Revision

ALESSANDRA PATRICIA KAWAHARA CARRILI

Contact Catálogo:

E-mail = jgaspari@marchesan.com.br

ORIGINAIS PARTS
CIVEMASA