

PARTS CATALOGUE

DISK HARROWS

GCCRO 2240 28 A 60 D.

Code: 0501091636



Series: S-0914

Review: MAIO/2017

**ORIGINAL PARTS
CIVEMASA**

civemasa

PRODUCTS

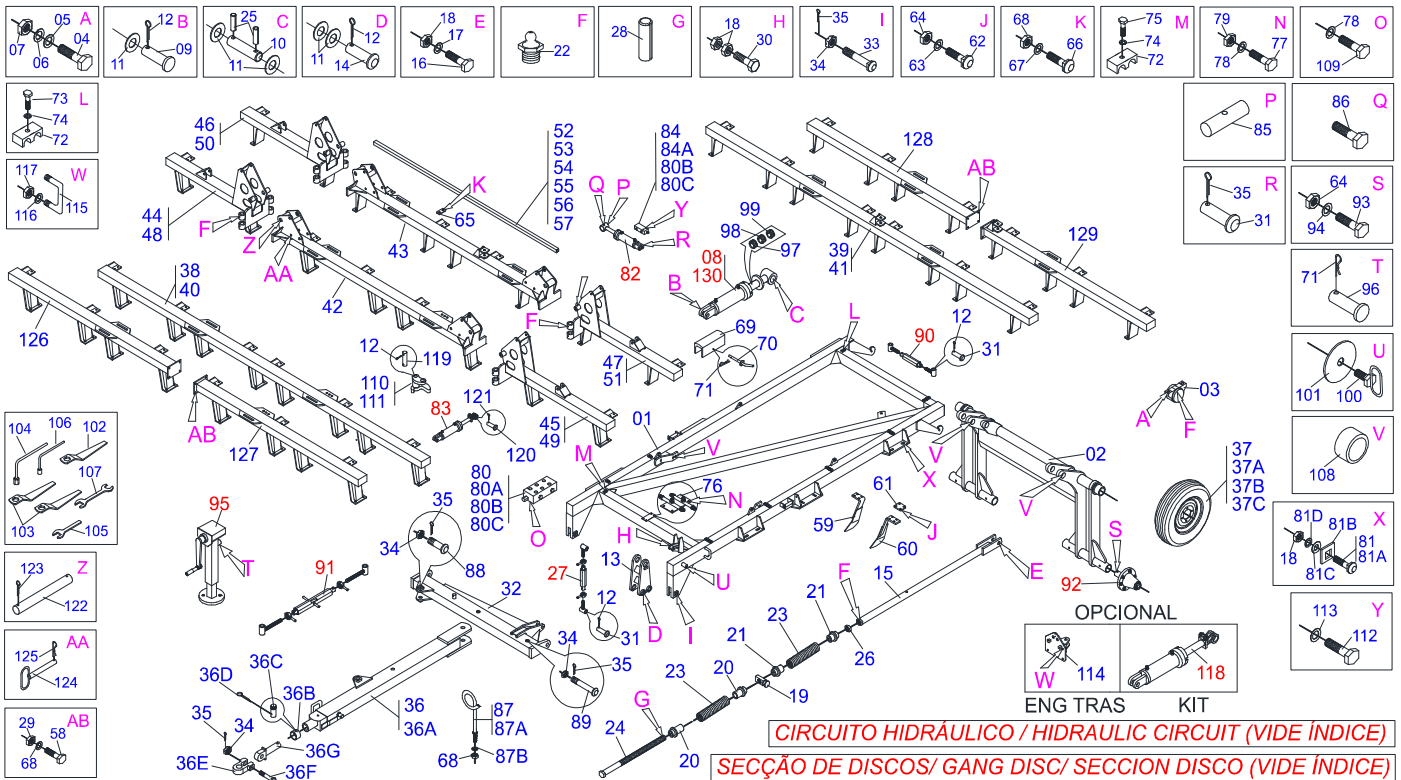
Code	Description
0121560014	GCCRO 2240 56X28X7,5DM DR S-0914

ATTENTION: *IMPORTANT*

CIVEMASA RESERVES THE RIGHT AT ANY TIME TO MAKE IMPROVEMENTS IN THE DESIGN, MATERIAL OR SPECIFICATIONS OF MACHINERY, EQUIPMENT OR PARTS WITHOUT THEREBY BECOMING LIABLE TO MAKE SIMILAR CHANGES IN MACHINERY, EQUIPMENT OR PARTS PREVIOUSLY SOLD.

INDEX

0909094722	GCCRO 2240 44 A 56 D.	1
0501053304	R.13/4 TURNBUCKLE	2
0501052005	STABILIZER FOR GANG	3
0501051880	STABILIZER FOR DRAWBAR	4
0511048088	DRAWBAR JACK	5
0511044811	HYDRAULIC CYLINDER(REPLACEMENT),	6
0501048066	HYDRAULIC CYLINDER	7
0501043059	2.0" X 4" X 31" X 15" HYDR	8
0511043626	44,45 X 76,20 HYDRAULIC CYLINDER	9
0511050166	HYDRAULIC CYLINDER (ACTUAL)	10
0511050167	50,8 X 101,6 X 800 X 400 HIDRAULIC CYLINDER	11
0501051885	CARRYING-WHEELS	12
0909093022	GANG DISC - 28 32 36 40	13
0909092976	44 48 52 56 - GANG DISC	14
0909092991	GANG DISC	15
0909092992	GANG DISC	16
0909094718	HYDRAULIC CIRCUIT GCRO 28 A 40	17
0909092975	HYDRAULIC CIRCUIT 44 A 48	18
0909091282	HYDRAULIC CIRCUIT	19
0501046925	262 X 1-5/8" OIL BATH BRG ASSY,FG	20
0501043202	262 X 1-5/8" OIL BATH BRG ASSY,RG	21
0501048457	262MM X 1.5/8" RD OIL BATH BEARING	22

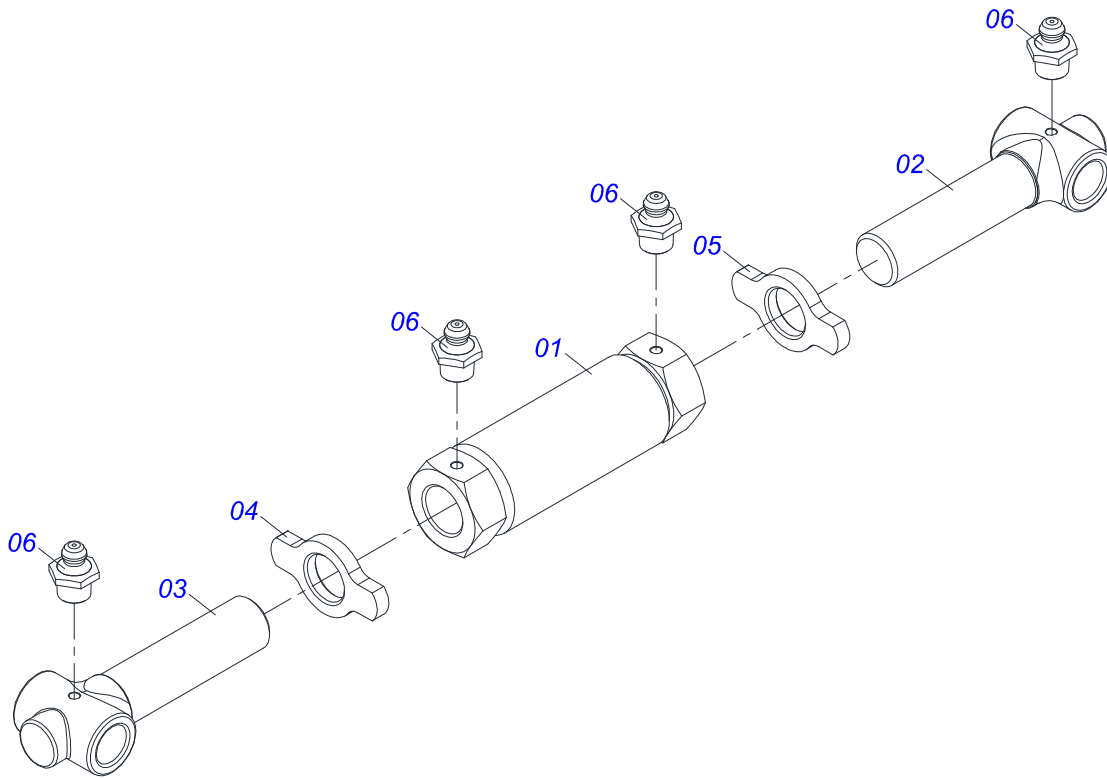


CIRCUITO HIDRAULICO / HYDRAULIC CIRCUIT (VIDE ÍNDICE)
SEÇÃO DE DISCOS/ GANG DISC/ SECCION DISCO (VIDE ÍNDICE)

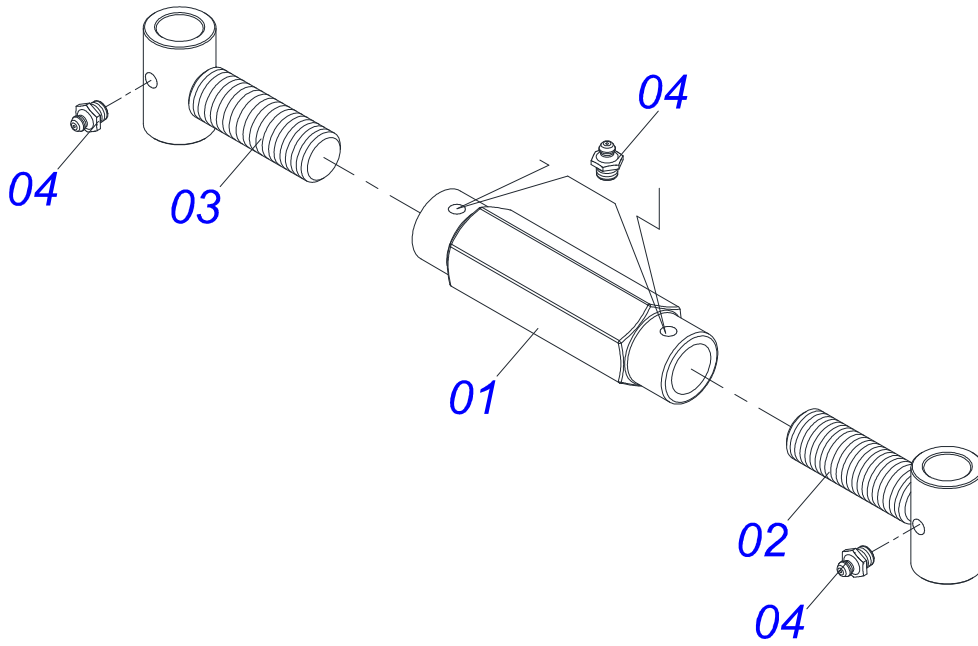
Item	Code	Description	44	48	52	56
001	0521065383	FRAME	01	01	01	01
002	0511067337	CARRYING-WHEEL FIXATION SUPPORT	01	01	01	01
003	0502010972	ARTICULACION BEARING	02	02	02	02
004	0503011432	1" X 4" BOLT	04	04	04	04
005	0501010065	1" SPRING WASHER	04	04	04	04
006	0503011438	SPRING WASHER	04	04	04	04
007	0501010059	1.5/8 NUT	04	04	04	04
008	0511044811	HYDRAULIC CYLINDER(REPLACEMENT),	02	02	02	02 REPOS.
009	0521012538	1.2" X 3.5" COUPLING SHAFT	02	02	02	02
010	0531018101	1.2" X 6.3" PIVOT SHAFT	02	02	02	02
011	0501017779	FLAT WASHER	06	06	06	06
012	0503010523	1/4" X 2" COTTERPIN	04	04	12	12
013	0501064760	ROCKER ARM	01	01	01	01
014	0521010544	1.2" X 4.9" COUPLING SHAFT	01	01	01	01
015	0501069687	1895 ADJUSTMENT BAR	01	01	01	01
016	0501011106	1-1/4" X 7" BOLT	01	01	01	01
017	0503010070	SPRING WASHER	01	01	01	01
018	0501010087	1.1/4" NUT	11	11	11	11
019	0551012054	GUIDE	01	01	01	01
020	0551012050	SLEEVE 39 X 47,20 X 80 X 95	02	02	02	02
021	0551012051	SLEEVE 39 X 47,20 X 80 X 55	02	02	02	02
022	0503010002	1800 GREASE FITTING	03	03	27	27
023	0503030541	3.4" X 8.0" X 0.8" SPRING	02	02	02	02
024	0501069398	CRANK	01	01	01	01
025	0503011877	0.3" X 2.4" SPRING PIN	04	04	04	04
026	0521011696	1.1/2" LEFT 38 NUT	02	02	02	02
027	0501053304	R.13/4 TURNBUCKLE	01	01	01	01
028	0503010292	0.2" X 1.6" SPRING PIN	01	01	01	01
029	0503010023	SPRING WASHER	00	08	00	00
030	0503012192	1-1/4" X 8 BOLT	01	01	01	01
031	0521010546	1.2" X 5.7" COUPLING SHAFT	03	03	07	07
032	0501069411	OFFSET BAR	01	01	01	01
033	0521012052	1.5" X 6.7" PIVOT SHAFT	02	02	02	02

Item	Code	Description	44	48	52	56
034	0501011301	1.1/2 UNC 6FPP 2.5/16 NUT	05	05	05	05
035	0503010010	1/4" X 2.1/2" COTTERPIN	05	05	05	05
036	0511042467	DRAWBAR ASSY	01	01	01	01
036A	0501069412	DRAWBAR ASSY	01	01	01	01
036B	0502040327	ANEL TRAVA ENGATE	01	01	01	01
036C	0501011136	PINO 26 X 100 (1.1/2 X 107) GCRO	01	01	01	01
036D	0503010571	1/4" X 1.1/2 COTTERPIN	01	01	01	01
036E	0502040732	CLEVIS	01	01	01	01
036F	0521012545	COUPLING SHAFT	01	01	01	01
036G	0502040727	COUPLING SHAFT	01	01	01	01
037	0503060414	WHEEL AND TIRE	04	04	04	04
037A	0503012108	RODA 10 LB X 15 X 8F X 203 GCRO	04	04	04	04
037B	0503010860	CAMARA AR 11L 15	04	04	04	04
037C	0503011469	RIB TIRE 12L	04	04	04	04
038	0501069680	232.08" FRONT FRAME	01	00	00	00
039	0501069681	232" REAR FRAME	01	00	00	00
040	0501069842	253.34" FRONT FRAME	00	01	00	00
041	0501069843	253" REAR FRAME	00	01	00	00
042	0501069402	146" CENTRAL FRONT FRAME	00	00	01	01
043	0501069403	146" REAR CENTER FRAME	00	00	01	01
044	0501069520	56" RIGHT FRONT SIDE FRAME	00	00	01	00
045	0501069521	66" LEFT FRONT SIDE FRAME	00	00	01	00
046	0501069522	66" RIGHT SIDE REAR FRAME	00	00	01	00
047	0501069523	56" LEFT SIDE REAR FRAME	00	00	01	00
048	0501069404	67" RIGHT FRONT SIDE FRAME	00	00	00	01
049	0501069405	77" LEFT FRONT SIDE FRAME	00	00	00	01
050	0501069406	66" RIGHT SIDE REAR FRAME	00	00	00	01
051	0501069407	66" LEFT SIDE REAR FRAME	00	00	00	01
052	0521012755	113.8" SCRAPER TUBE	04	00	00	00
053	0521012756	124.4" SCRAPER TUBE	00	03	00	00
054	0521012764	135" SCRAPER TUBE	00	01	00	00
055	0521011922	58.26" SCRAPER TUBE	00	00	04	00
056	0521011717	141.7" CENTER SCRAPER TUBE	00	00	02	02
057	0521011715	68.9" CENTER SCRAPER TUBE	00	00	00	04
058	0501018059	3/4" X 2-1/4" BOLT	00	08	00	00
059	0501069413	FRONT SCRAPER GCRO	22	22	22	22
060	0501069414	REAR SCRAPER GCRO	22	22	22	22
061	0521011774	FIXER PLATE CLEANER	44	44	44	44
062	0503012110	1/2" X 3-3/4" BOLT	176	192	208	228
063	0511017302	FLAT WASHER	176	192	208	228
064	0503010060	1/2" NUT	180	196	212	232
065	0521011566	FIXER PLATE TUBE CLEANER	12	12	20	17
066	0501010162	3/4" X 4" BOLT	24	24	40	34
067	0501010322	FLAT WASHER	24	24	40	34
068	0503010014	3/4" NUT	26	34	42	36
069	0551010280	253 TRANSPORT LOCK	02	02	02	02
070	0501068994	0.3" X 3.1"LOCK PIN	02	02	02	02
071	0503030168	HAIR PIN	03	03	03	03
072	0502012702	BODY SUPPORT CLAMP	08	08	14	14
073	0503012555	7/16" X 2" BOLT	06	06	12	12
074	0503010180	7/16" SPRING WASHER	08	08	14	14
075	0503010850	7/16" X 3" BOLT	02	02	02	02
076	0501069686	DOUBLE CONNECTION	01	01	00	00
077	0503010237	3/8" X 1" BOLT	04	04	00	00
078	0503010025	3/8 SPRING WASHER	04	04	00	00
079	0503010026	3/8" NUT	04	04	00	00
080	0501052468	SEQUENCE VALVE C/NIPPLES	00	00	04	04
080A	0503012124	SEQUENCE VALVE	00	00	04	04
080B	0503010190	2-114 N 3006-9B O'RING	00	00	32	32
080C	0501010617	3/4" NIPPLE	00	00	32	32
081	0501041102	1-1/4" X 3-3/4" ASSY BOLT	08	08	08	08
081A	0501015348	1-1/4" X 3-3/4" BOLT	08	08	08	08

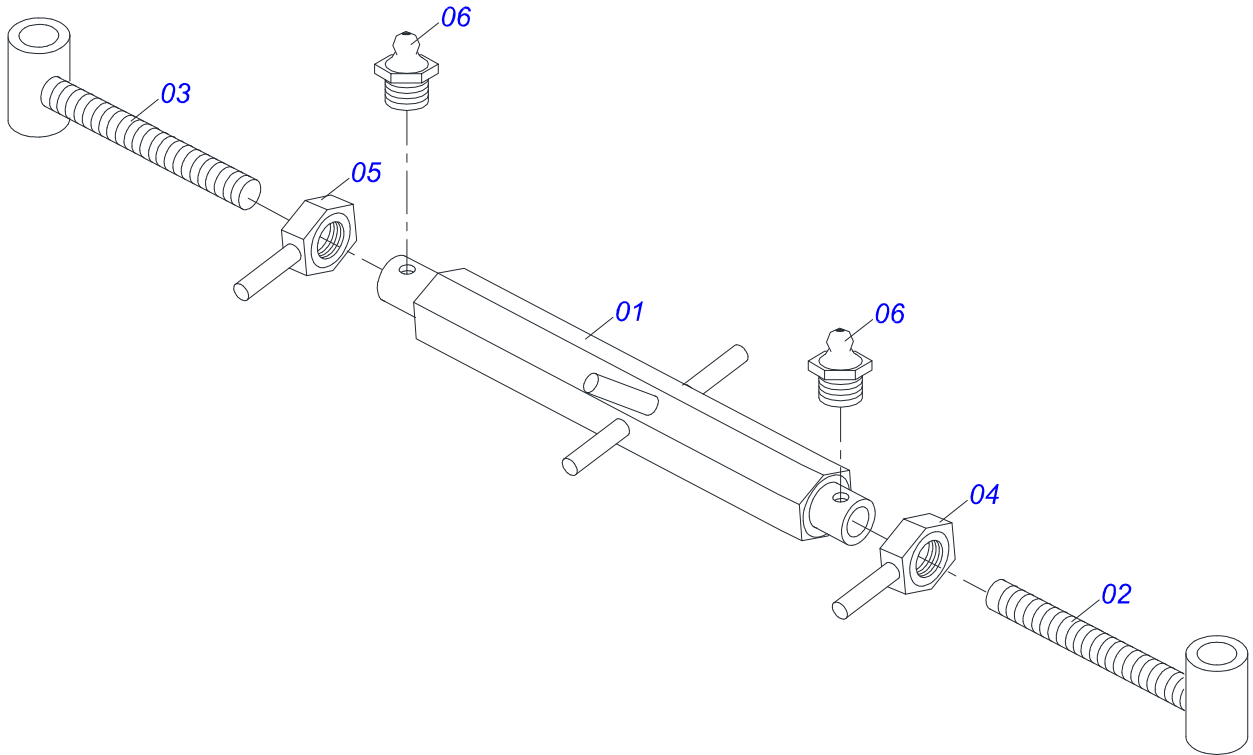
Item	Code	Description	44	48	52	56
081B	0501010953	1-1/4" SQUARE WASHER	08	08	08	08
081C	0531010713	FLAT WASHER	08	08	08	08
081D	0503010070	SPRING WASHER	08	08	08	08
082	0501043059	2.0" X 4" X 31" X 15" HYDR	00	00	04	04
083	0501048066	HYDRAULIC CYLINDER	00	00	04	04
084	0501048090	OIL TUB ASSY	00	00	01	01
084A	0521011775	OIL TUB	00	00	01	01
085	0521011725	1-1/4" X 6.5" AXLE	00	00	04	04
086	0503010834	1/2 X 1 BOLT	00	00	04	04
087	0501040257	3/4 X 1200 HOSE HOLDER A	01	01	01	01
087A	0511067334	HOSE SOPPORT ASSY	01	01	01	01
087B	0503010023	SPRING WASHER	01	01	01	01
088	0521012053	1.5" X 8.6" AXLE	02	02	02	02
089	0531018044	1.5" X 11" COUPLING SHAFT	01	01	01	01
090	0501052005	STABILIZER FOR GANG	01	01	01	01
091	0501051880	STABILIZER FOR DRAWBAR	01	01	01	01
092	0501051885	CARRYING-WHEELS	04	04	04	04
093	0503010547	1/2" X 4" BOLT	04	04	04	04
094	0503010019	1/2" SPRING WASHER	04	04	04	04
095	0511048088	DRAWBAR JACK	01	01	01	01
096	0541011345	16 X 68 PLUGER	01	01	01	01
097	0501047896	1.18" ROD STOP	02	02	02	02
098	0501047898	1.57" ROD STOP	02	02	02	02
099	0501047917	1.96" ROD STOP	02	02	02	02
100	0501069343	WRENCH FIXER	01	01	01	01
101	0521011722	FLAT WASHER	01	01	01	01
102	0501011432	1-1/2" AND 1-5/8 GANG BOLT WRENCH	01	01	01	01
103	0501011431	1-3/4" GANG BOLT WRENCH	02	02	02	02
104	0501061609	3/4" WRENCH CABLE CYLINDRICAL	01	01	01	01
105	0511010153	2-5/16" FIXED WRENCH	01	01	01	01
106	0501062300	1-1/4" WRENCH CABLE CYLINDRICAL	01	01	01	01
107	0541015451	2.3/8" X 2.3/4" WRENCH	01	01	01	01
108	0511019920	LUVA 32,7 X 38,8 X 25,40	05	05	05	05
109	0503010751	C3/8" X 1.1/4" HEX BOLT G.5	00	00	04	04
110	0511061488	LOCK RIGHT JOINT	00	00	04	04
111	0501069408	LOCK LEFT JOINT	00	00	04	04
112	0503012562	5/16" X 3" BOLT	00	00	08	08
113	0503010179	SPRING WASHER	00	00	08	08
114	0501069421	REAR HITCH GCRO	01	01	01	01
115	0521011723	7/8" X 6.43" X 7.75" U BOLT	02	02	02	02
116	0503010408	7/8" SPRING WASHER	04	04	04	04
117	0503010558	7/8" NUT	04	04	04	04
118	0501056236	KIT CONTROL	01	01	01	01
119	0521011719	1-1/4 X 292 PLUGER	00	00	08	08
120	0521012538	1.2" X 3.5" COUPLING SHAFT	00	00	08	08
121	0503010571	1/4" X 1.1/2 COTTERPIN	00	00	08	10
122	0521011720	2.0" X 15.7" COUPLING SHAFT	00	00	04	04
123	0503010534	3/8 X 2-1/2 COTTERPIN	00	00	08	08
124	0501069463	1" X 8" LOCK PIN	00	00	04	04
125	0503030012	HAIR PIN	00	00	04	04
126	0501069682	RIGHT FRONT FRAME	00	01	00	00
127	0501069683	LEFT FRONT FRAME	00	01	00	00
128	0501069717	RIGHT REAR FRAME	00	01	00	00
129	0501069718	LEFT REAR FRAME	00	01	00	00
130	0511050166	HYDRAULIC CYLINDER (ACTUAL)	02	02	02	02



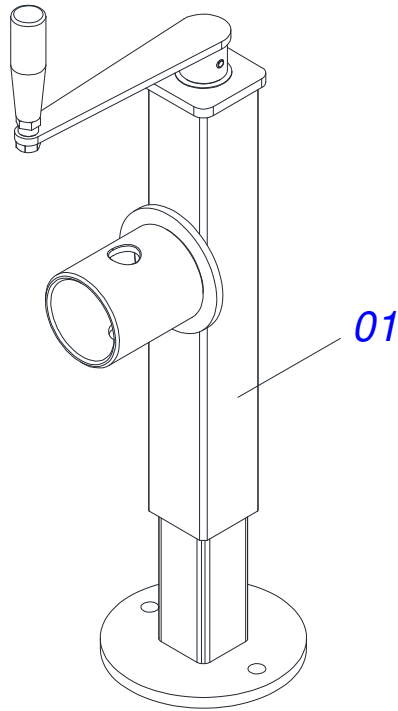
Item	Code	Description	QT
01	0511062188	R1.3/4" UN ADJUSTMENT NUT	01
02	0502040568	R.1-3/4 TURNBUCKLE	01
03	0502040570	REGULATOR SPINDLE	01
04	0551010782	RIGHT LOCKNUT	01
05	0551010993	LEFT LOCKNUT	01
06	0503010002	1800 GREASE FITTING	04



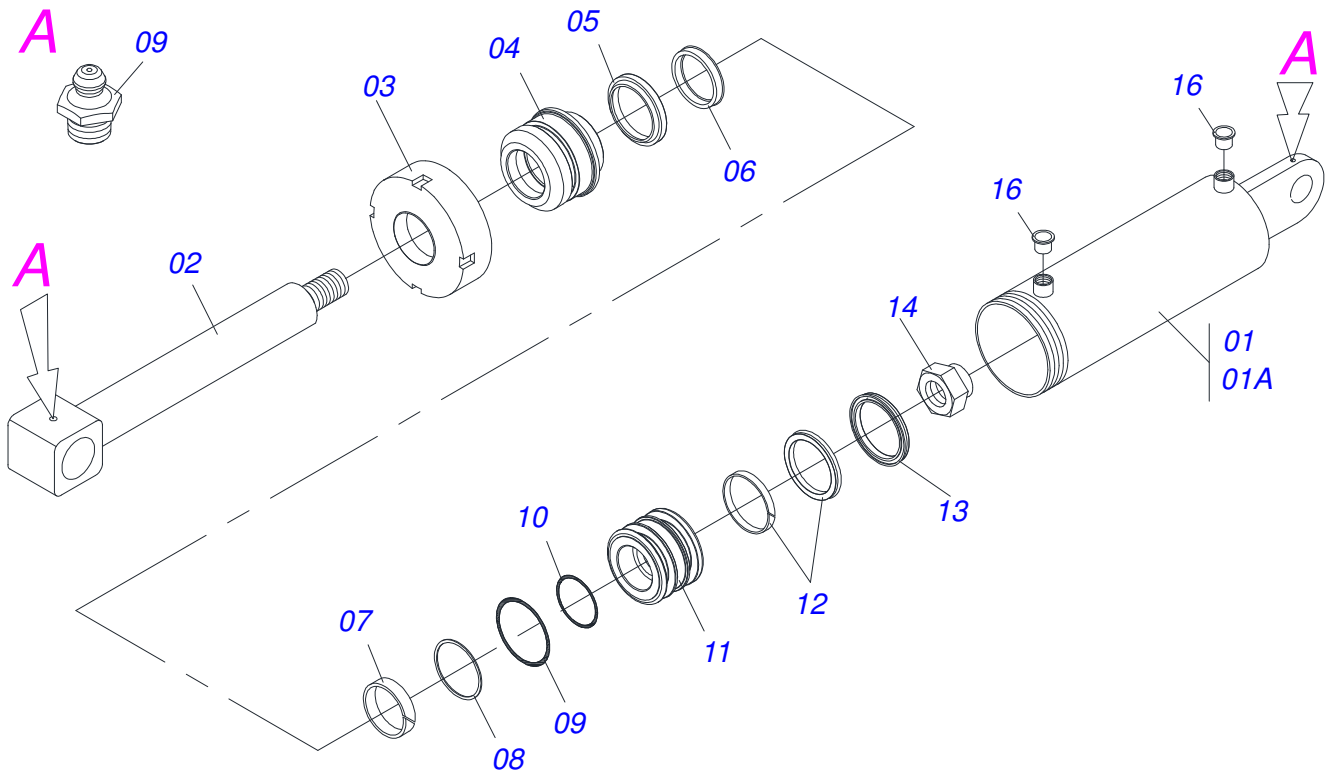
Item	Code	Description	QT
01	0502011469	245 ADJUSTMENT NUT	01
02	0501069416	JACKET	01
03	0501069417	JACK CRANK	01
04	0503010002	1800 GREASE FITTING	04



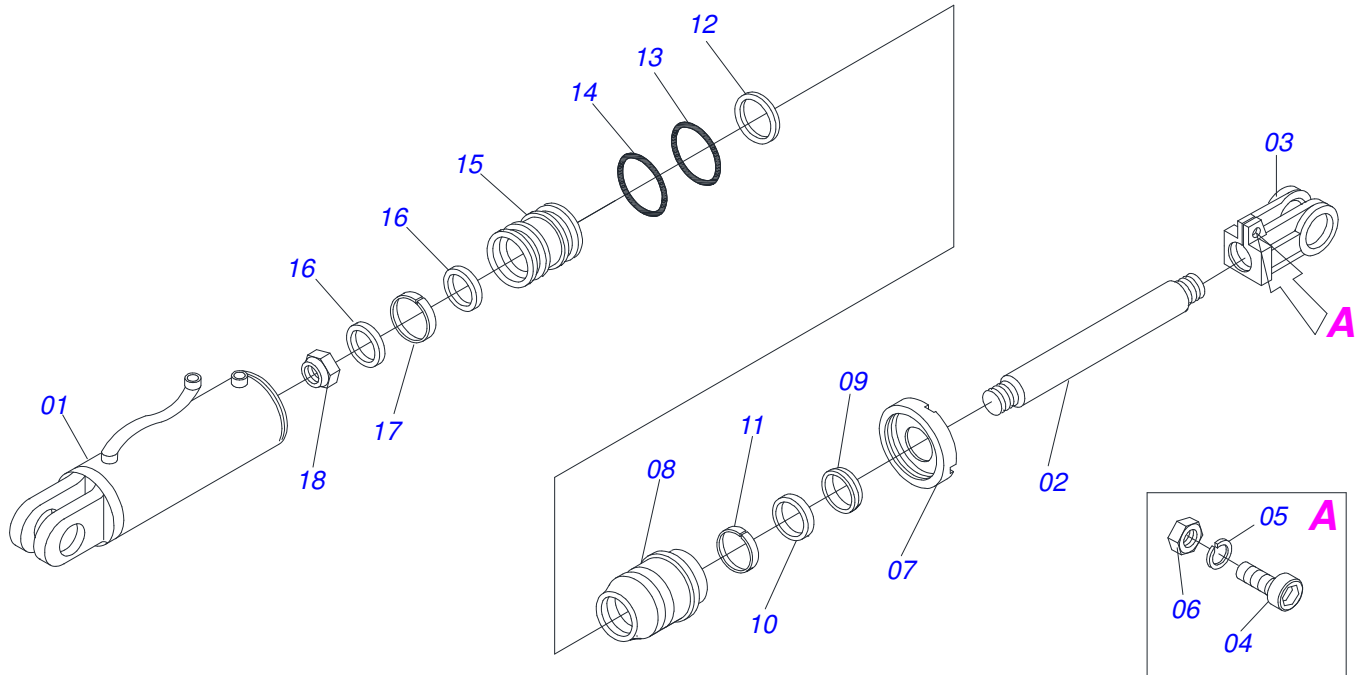
Item	Code	Description	QT
01	0501069443	DRAWBAR TURNBUCKLE	01
02	0501069399	JACKET	01
03	0501069400	JACK CRANK	01
04	0501069330	LOCKNUT WITH RIGHT HANDLER R 2-1/8	01
05	0501069331	LOCKNUT WITH LEFT HANDLER R 2-1/8	01
06	0503010002	1800 GREASE FITTING	02



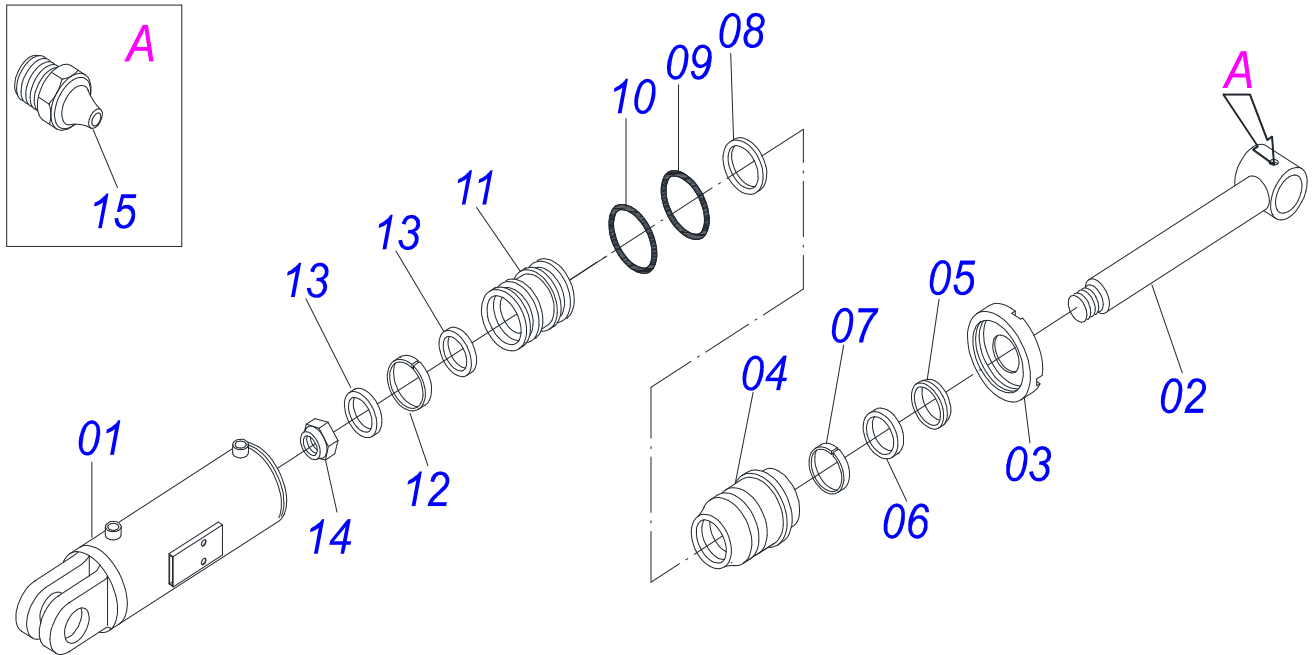
Item	Code	Description	QT
01	0503062227	DRAWBAR JACK	01



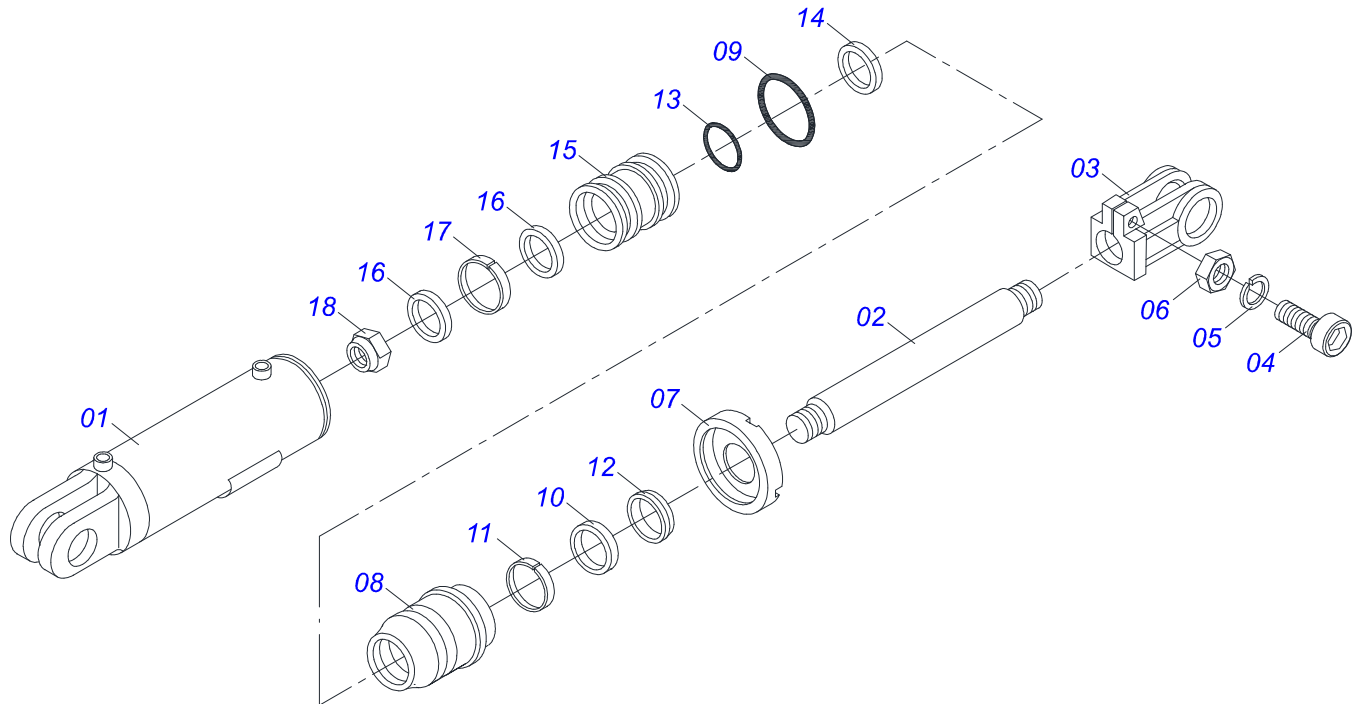
Item	Code	Description	QT
00	0511044811	HYDRAULIC CYLINDER(REPLACEMENT),	01
01	0511066220	101,60 X 369 CYLINDER CASE	01
02	0511067445	50,8 X 452,5 TURNBUCLE	01
03	0502010017	4" HEAD	01
04	0502010778	2" X 4.2" RING SUPPORT	01
05	0503010039	D-2000 SCRAPER RING	01
06	0503010991	PACKING 1870-2000-375-B	01
07	0503010952	W2-2250-500 PK RING G.E	01
08	0503011061	8-342 BACK-UP RING	01
09	0503010338	2-342 N 3006-9B O'RING	01
10	0503010345	2-218 N 3006-9B O'RING	01
11	0502010992	2.0" X 4.0" PISTON	01
12	0503010043	PACKING 3750-3250	02
13	0503010994	W2-4000-500 PK RING G.E	01
14	0503010817	1-1/4" SELF-ADJUSTING NUT	01
15	0503030384	CON N-001 PLUG	02
16	0503010002	1800 GREASE FITTING	01



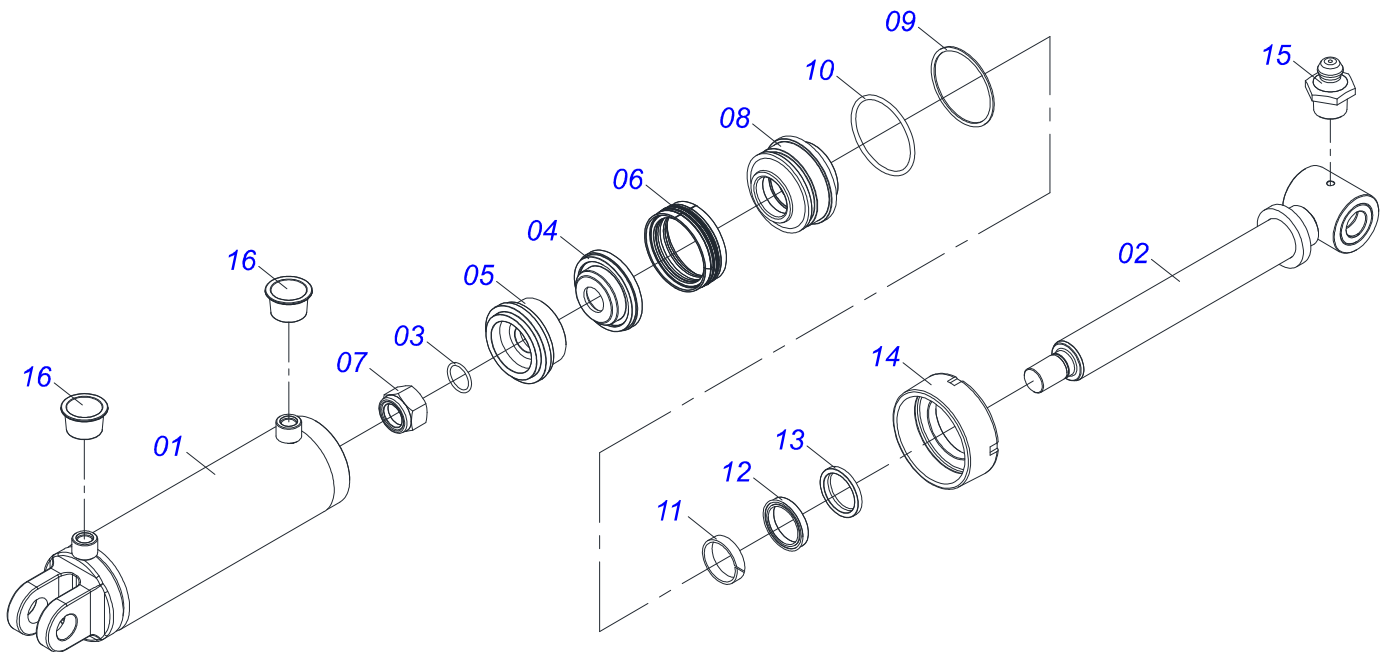
Item	Code	Description	QT
00	0501048066	HYDRAULIC CYLINDER	01
01	0501069475	2.5" X 12" CYLINDER CASE	01
02	0521012130	1.5" X 13" SHAFT	01
03	0502040747	FORK	01
04	0503011094	3/8" X 2" BOLT C C S I 12.9	01
05	0503010025	3/8 SPRING WASHER	01
06	0503010026	3/8" NUT	01
07	0502010471	MOBILE COVER	01
08	0502010780	RING SUPPORT	01
09	0503010163	D-1500 SCRAPER RING	01
10	0503010989	1870-1500-375-B GASKET	01
11	0503010970	W1-1650-500 PK O'RING G.E	01
12	0503011058	8-330 BACK-UP RING	01
13	0503010161	2-330 N 3006 9B O'RING	01
14	0503010285	2-222 N 3006-9B O'RING	01
15	0502010783	1.5" X 2.5" PISTON	01
16	0503010160	2500 2000 GASKET	02
17	0503010973	W2-2500-500 PK O'RING G.E	01
18	0503010063	1" SELF-ALIGNING NUT	01
19	0501032666	HYDRAULIC CYLINDER REPAIR KIT	01



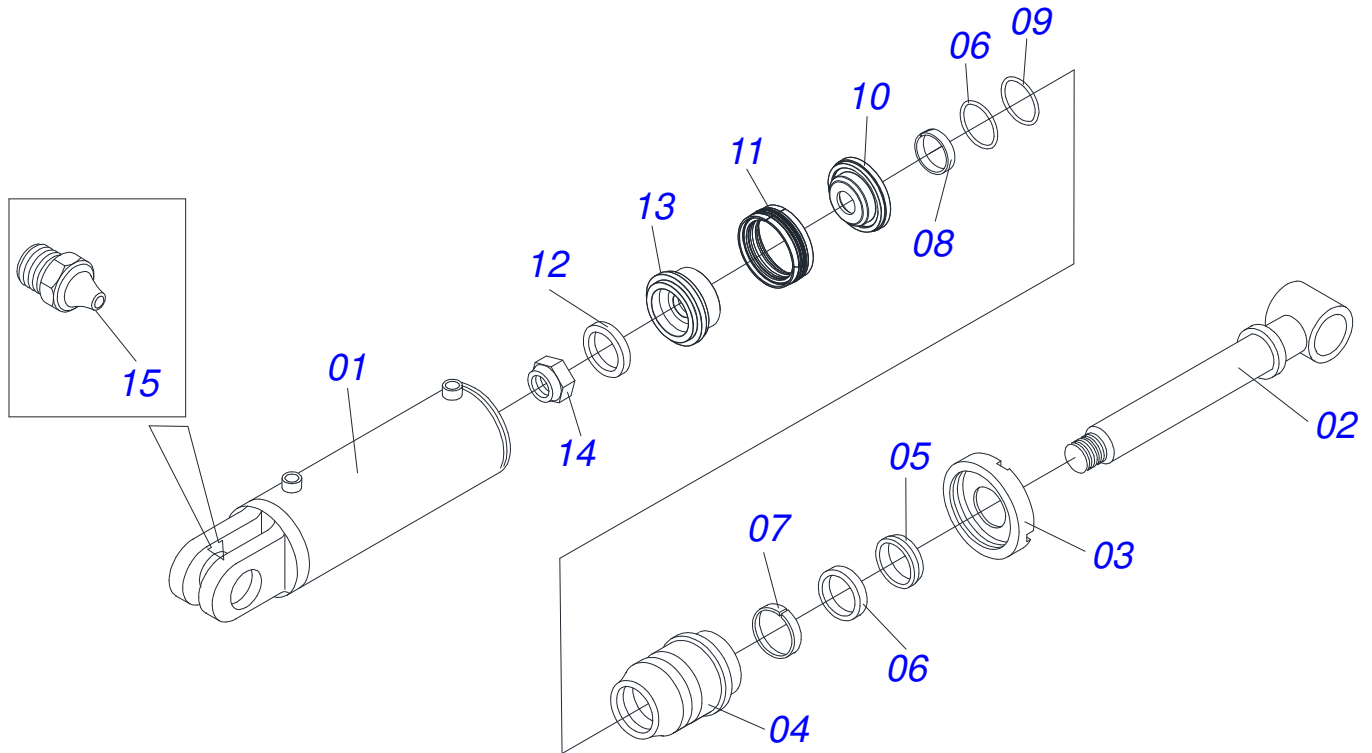
Item	Code	Description	QT
00	0501043059	2.0" X 4" X 31" X 15" HYDR	01
01	0511061509	4" X 20" CYLINDER CASE	01
02	0511060066	2" X 27" TURNBUCLE WITH BUSHING	01
03	0502010017	4" HEAD	01
04	0502010778	2" X 4.2" RING SUPPORT	01
05	0503010039	D-2000 SCRAPER RING	01
06	0503010991	PACKING 1870-2000-375-B	01
07	0503010952	W2-2250-500 PK RING G.E	01
08	0503011061	8-342 BACK-UP RING	01
09	0503010338	2-342 N 3006-9B O-RING	01
10	0503010345	2-218 N 3006-9B O-RING	01
11	0502010992	2.0" X 4.0" PISTON	01
12	0503010994	W2-4000-500 PK RING G.E	01
13	0503010043	PACKING 3750-3250	02
14	0503010817	1-1/4" SELF-ADJUSTING NUT	01
15	0503010002	1800 GREASE FITTING	01
16	0501031799	HYDRAULIC CYLINDER REPAIR KIT	01



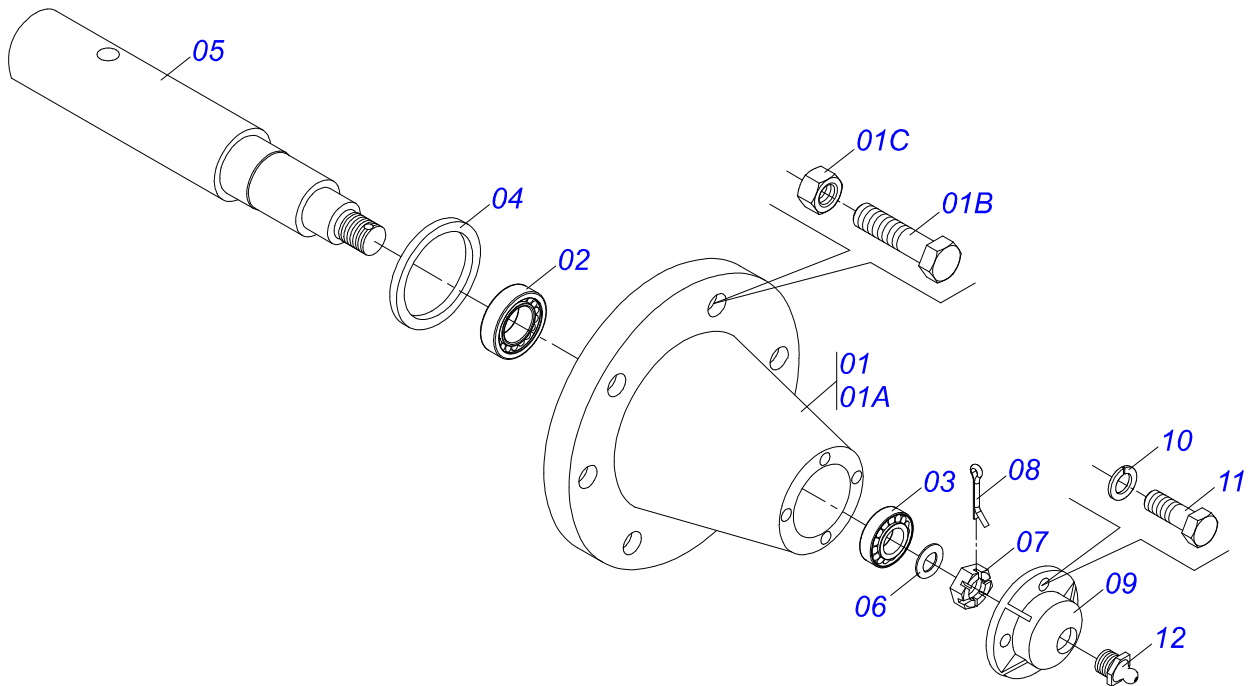
Item	Code	Description	QT
01	0511066441	3" X 11,02" CYLINDER CASE	01
02	0541016462	1.7" X 11.65" TURNBUCLE	01
03	0502040747	FORK	01
04	0503011094	3/8" X 2" BOLT C C S I 12.9	01
05	0503010025	3/8 SPRING WASHER	01
06	0503010026	3/8" NUT	01
07	0502011899	MOBILE COVER	01
08	0502011897	RING SUPPORT	01
09	0503010343	2-334 N 3006-9B O'RING	01
10	0503010990	GASKET	01
11	0503010949	W2-2000-500 PK RING G.E	01
12	0503010761	D-1750 SCRAPER RING	01
13	0503010042	2-214 N 3006-9B O'RING	01
14	0503011059	8-334 BACK-UP RING	01
15	0502011898	1.8" X 3.0" PISTON	01
16	0503012768	3750-2250 GASKET	02
17	0503010992	W2-3000-500 PK RING G.E	01
18	0503010063	1" SELF-ALIGNING NUT	01
19	0501033655	HYDRAULIC CYLINDER REPAIR KIT	



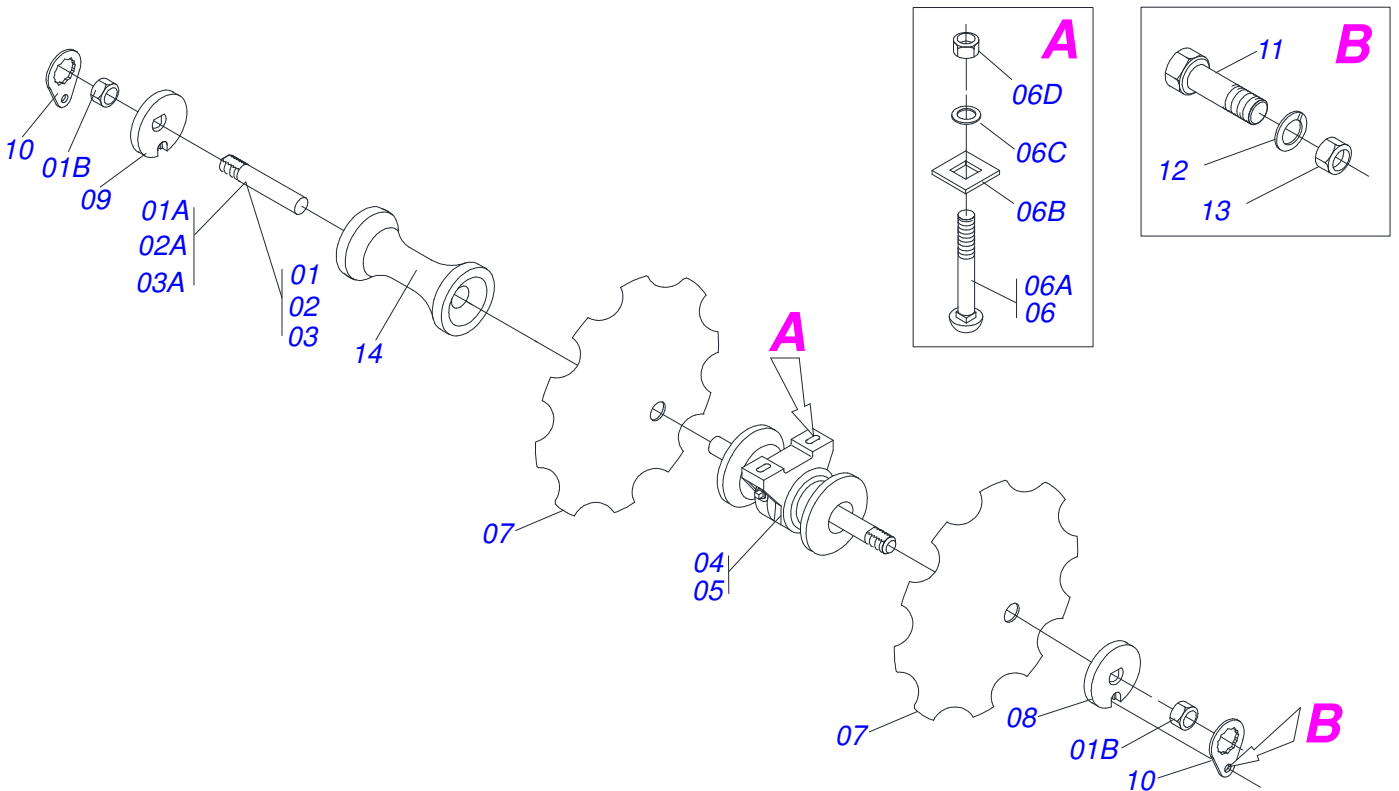
Item	Code	Description	QT
01	0511066220	101,60 X 369 CYLINDER CASE	01
02	0511067445	50,8 X 452,5 TURNBUCLE	01
03	0503010345	2-218 N 3006-9B O'RING	01
04	0561016389	PISTON BODY	01
05	0561016387	PISTON BODY	01
06	0503015633	SELEMASTER SEALING	01
07	0503010817	1-1/4" SELF-ADJUSTING NUT	01
08	0502012642	SUPPORT OF THE RINGS	01
09	0503011061	8-342 BACK-UP RING	01
10	0503010338	2-342 N 3006-9B O'RING	01
11	0503015634	RING SLYDRING	01
12	0503015635	U-CUP SEAL	01
13	0503015636	SCRAPER SEAL	01
14	0502010017	4" HEAD	01
15	0503010002	1800 GREASE FITTING	01
16	0503030384	CON N-001 PLUG	02



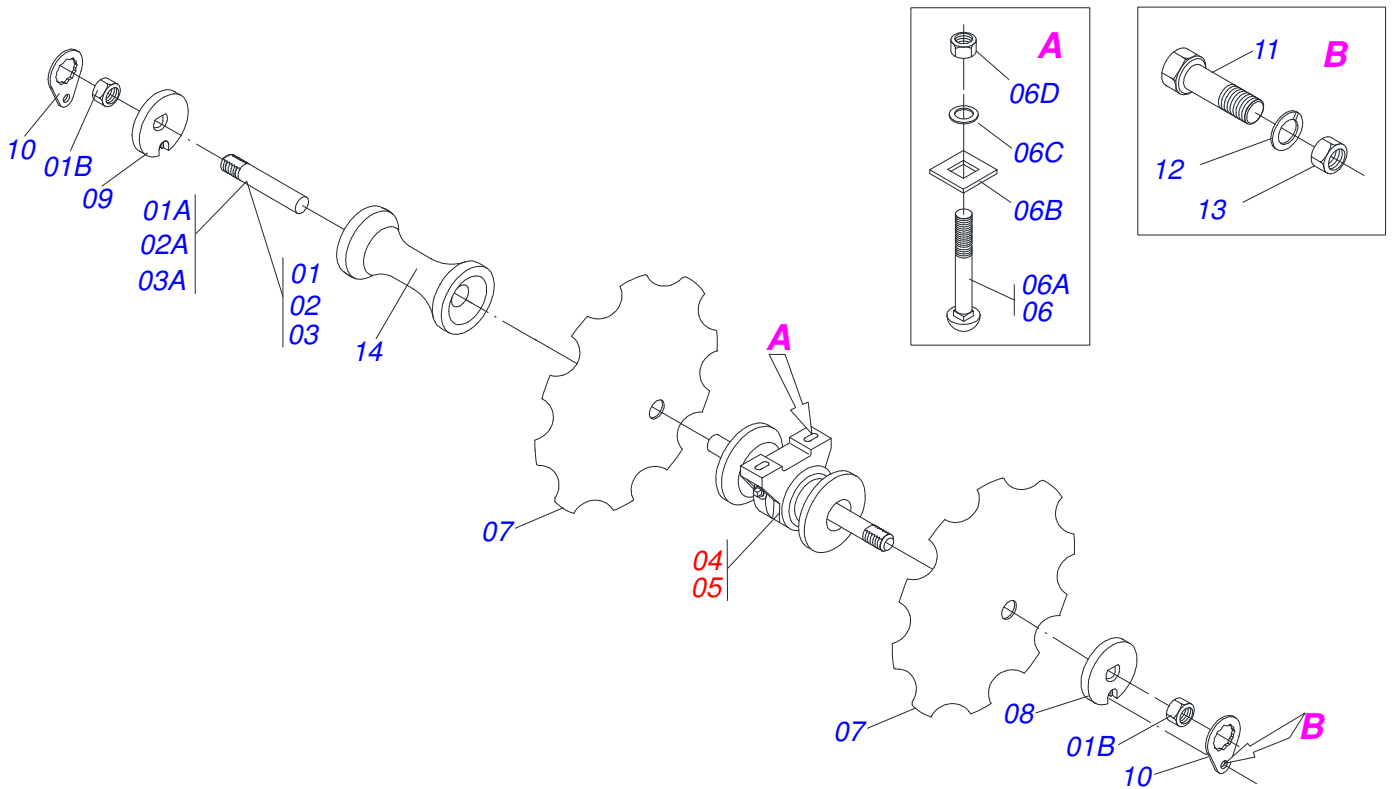
Item	Code	Description	QT
00	0511050167	50,8 X 101,6 X 800 X 400 HIDRAULIC CYLINDER	01
01	0511061509	4" X 20" CYLINDER CASE	01
02	0511060066	2" X 27" TURNBUCLE WITH BUSHING	02
03	0502010017	4" HEAD	01
04	0502012642	SUPPORT OF THE RINGS	01
05	0503015634	RING SLYDRING	01
06	0503015633	SELEMASTER SEALING	01
07	0503015635	U-CUP SEAL	01
08	0503011061	8-342 BACK-UP RING	01
09	0503010338	2-342 N 3006-9B O'RING	01
10	0503010345	2-218 N 3006-9B O'RING	01
11	0561016389	PISTON BODY	01
12	0503015636	SCRAPER SEAL	01
13	0561016387	PISTON BODY	01
14	0503010817	1-1/4" SELF-ADJUSTING NUT	01
15	0503010002	1800 GREASE FITTING	01
16	0503030384	CON N-001 PLUG	02



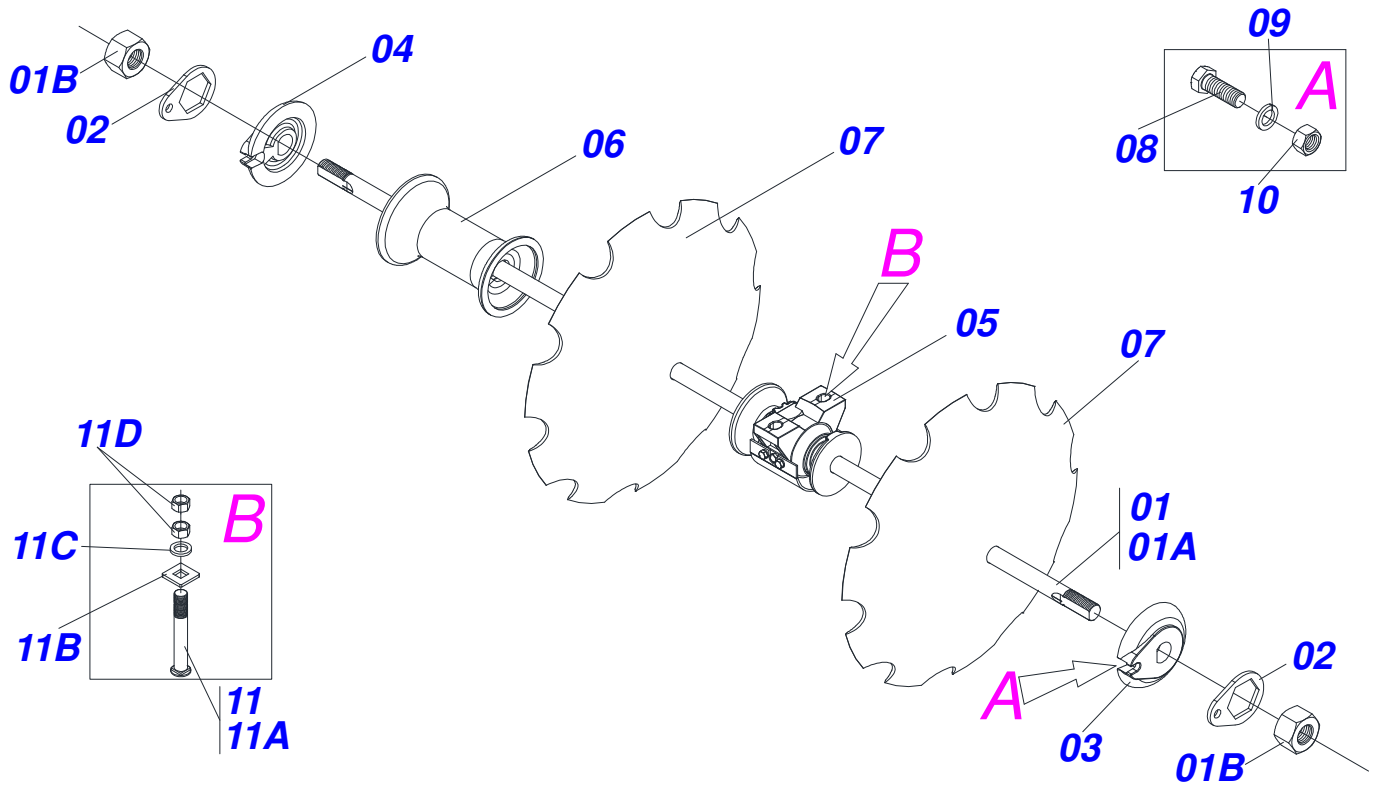
Item	Code	Description	QT
01	0501110738	CARRYING WHEEL HUB	01
01A	0502012260	CAIXA RODADO TRANSPORTE GCRO 2240	01
01B	0501010186	PARAFUSO ROD 5/8UNF X 2.1/8CR	08
01C	0503010064	5/8 UNF CONIC NUT	08
02	0503011156	ROLAMENTO 2780/2720 IMP	01
03	0503010008	ROLAMENTO 3780/37203	01
04	0503013314	RETENTOR 5166-GB 63,5 X 110 X 13 ARCA	01
05	0511012494	SPINDLE	01
06	0511012492	ARRUELA LISA 28 X 46 X 6,30	01
07	0503030009	1" CASTLE NUT	01
08	0503010018	5/32 X 1-1/2 COTTERPIN	01
09	0502020591	PROTECCION COVER	01
10	0503011444	SPRING WASHER	04
11	0503010358	5/16" X 5/8" BOLT	04
12	0503010002	1800 GREASE FITTING	01



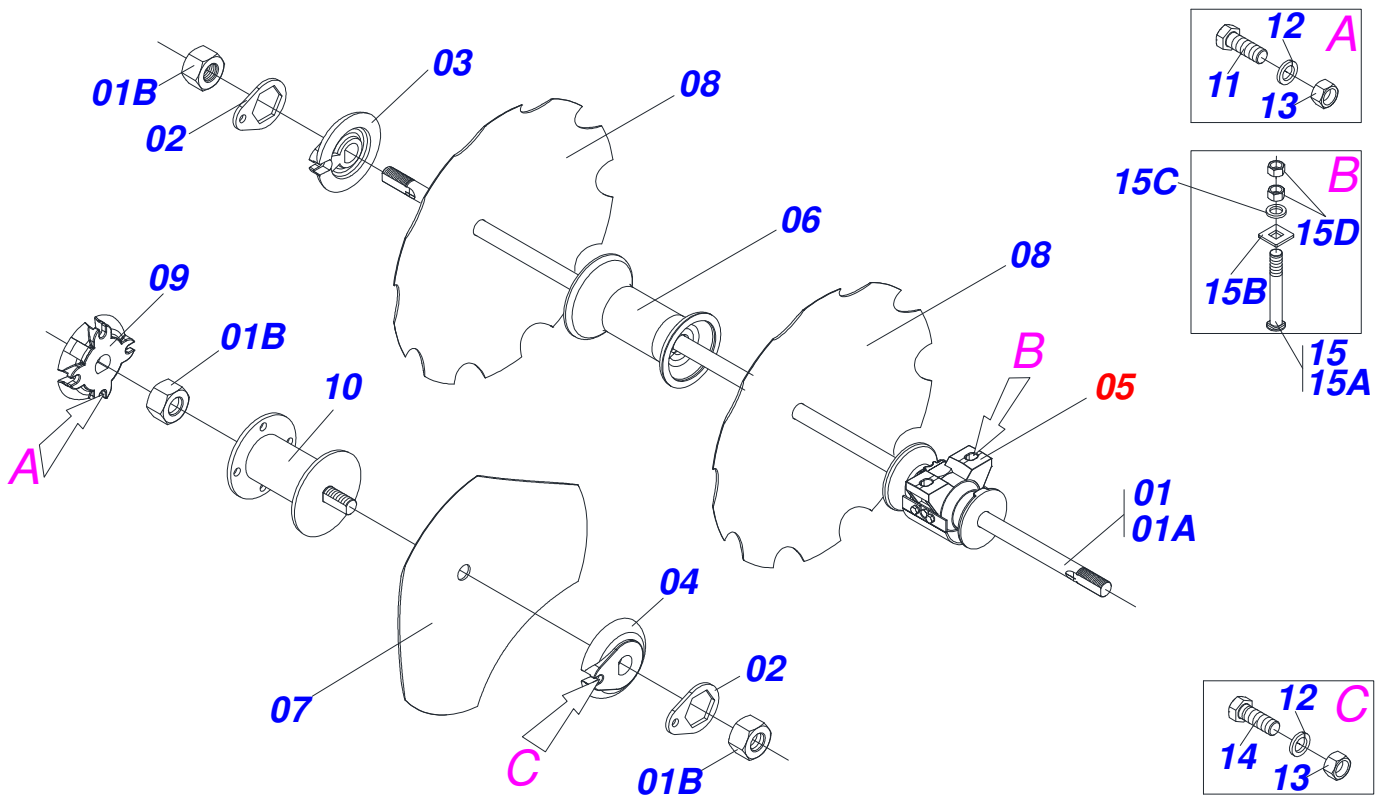
Item	Code	Description	28 32 36 40
01	0501046859	1-5/8" X 70" AXLE WITH NUTS 2-3/4"	04 00 00 04
01A	0501015631	1-5/8" X 70" AXLE	04 00 00 04
01B	0502040640	1.5/8" 2.3/4" NUT	08 12 12 12
02	0501046854	1-5/8" X 48" AXLE WITH NUTS 2-3/4	00 04 00 00
02A	0501019016	1-5/8 X 48" AXLE	00 04 00 00
03	0501046856	1-5/8" X 59" AXLE WITH NUTS 2-3/4	00 02 06 02
03A	0501019012	1-5/8" X 59" AXLE	00 02 06 02
04	0501046925	262 X 1-5/8" OIL BATH BRG ASSY,FG	04 06 06 06
05	0501043202	262 X 1-5/8" OIL BATH BRG ASSY,RG	04 06 06 06
06	0501041925	3/4" X 3-1/2" BOLT ASSY	16 24 24 24
06A	0501010950	3/4" X 3-1/2" BOLT	16 24 24 24
06B	0501010949	3/4" SQUARE WASHER	16 24 24 24
06C	0501010322	FLAT WASHER	16 24 24 24
06D	0503010014	3/4" NUT	32 48 48 48
07	0602037006	DR28X7,5 C102AF04FR1.11/16 10R TATU	28 32 36 40
08	0502011047	1-5/8" INNER AXLE WASHER	04 06 06 06
09	0502011048	1-5/8" EXTERNAL AXLE WASHER	04 06 06 06
10	0511014339	1-5/8" 2.8" NUT LOCK	08 12 12 12
11	0503011267	5/8" X 1.1/2" BOLT	08 12 12 12
12	0503010027	SPRING WASHER	08 12 12 12
13	0503010013	5/8" NUT	08 12 12 12
14	0502010703	10.35" 1-5/8" SPACER	16 14 18 22



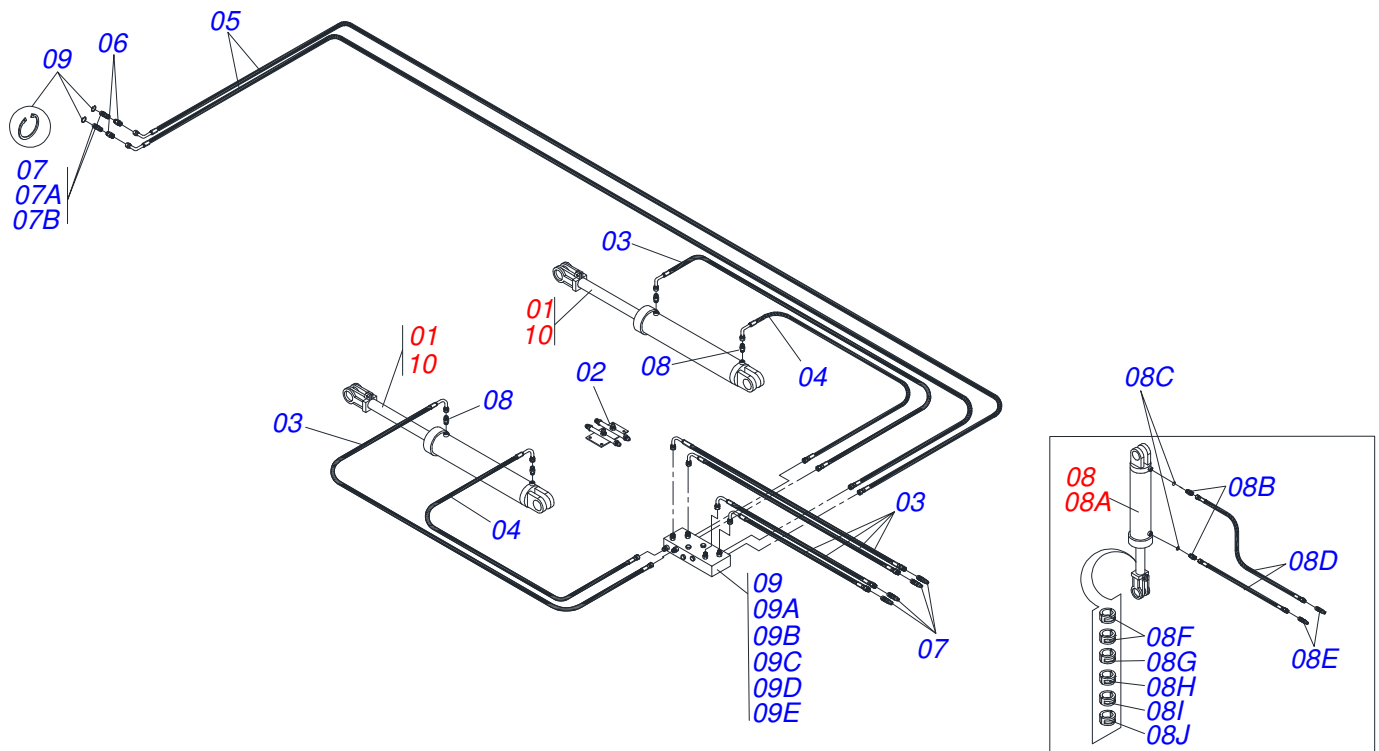
Item	Code	Description	44 48 52 56
01	0501046854	1-5/8" X 48" AXLE WITH NUTS 2-3/4	04 00 00 00
01A	0501019016	1-5/8 X 48" AXLE	04 00 00 00
01B	0502040640	1.5/8" 2.3/4" NUT	16 16 16 16
02	0501046856	1-5/8" X 59" AXLE WITH NUTS 2-3/4	04 08 04 00
02A	0501019012	1-5/8" X 59" AXLE	04 08 04 00
03	0501046859	1-5/8" X 70" AXLE WITH NUTS 2-3/4"	00 00 04 08
03A	0501015631	1-5/8" X 70" AXLE	00 00 04 08
04	0501046925	262 X 1-5/8" OIL BATH BRG ASSY,FG	16 08 08 08
05	0501043202	262 X 1-5/8" OIL BATH BRG ASSY,RG	00 08 08 08
06	0501041925	3/4" X 3-1/2" BOLT ASSY	32 32 32 32
06A	0501010950	3/4" X 3-1/2" BOLT	32 32 32 32
06B	0501010949	3/4" SQUARE WASHER	32 32 32 32
06C	0501010322	FLAT WASHER	32 32 32 32
06D	0503010014	3/4" NUT	32 32 32 32
07	0602037006	DR28X7,5 C102AF04FR1.11/16 10R TATU	44 48 52 56
08	0502011047	1-5/8" INNER AXLE WASHER	08 08 08 08
09	0502011048	1-5/8" EXTERNAL AXLE WASHER	08 08 08 08
10	0511014339	1-5/8" 2.8" NUT LOCK	16 16 16 16
11	0503011267	5/8" X 1.1/2" BOLT	16 16 16 16
12	0503010027	SPRING WASHER	16 16 16 16
13	0503010013	5/8" NUT	16 16 16 16
14	0502010703	10.35" 1-5/8" SPACER	20 24 28 32



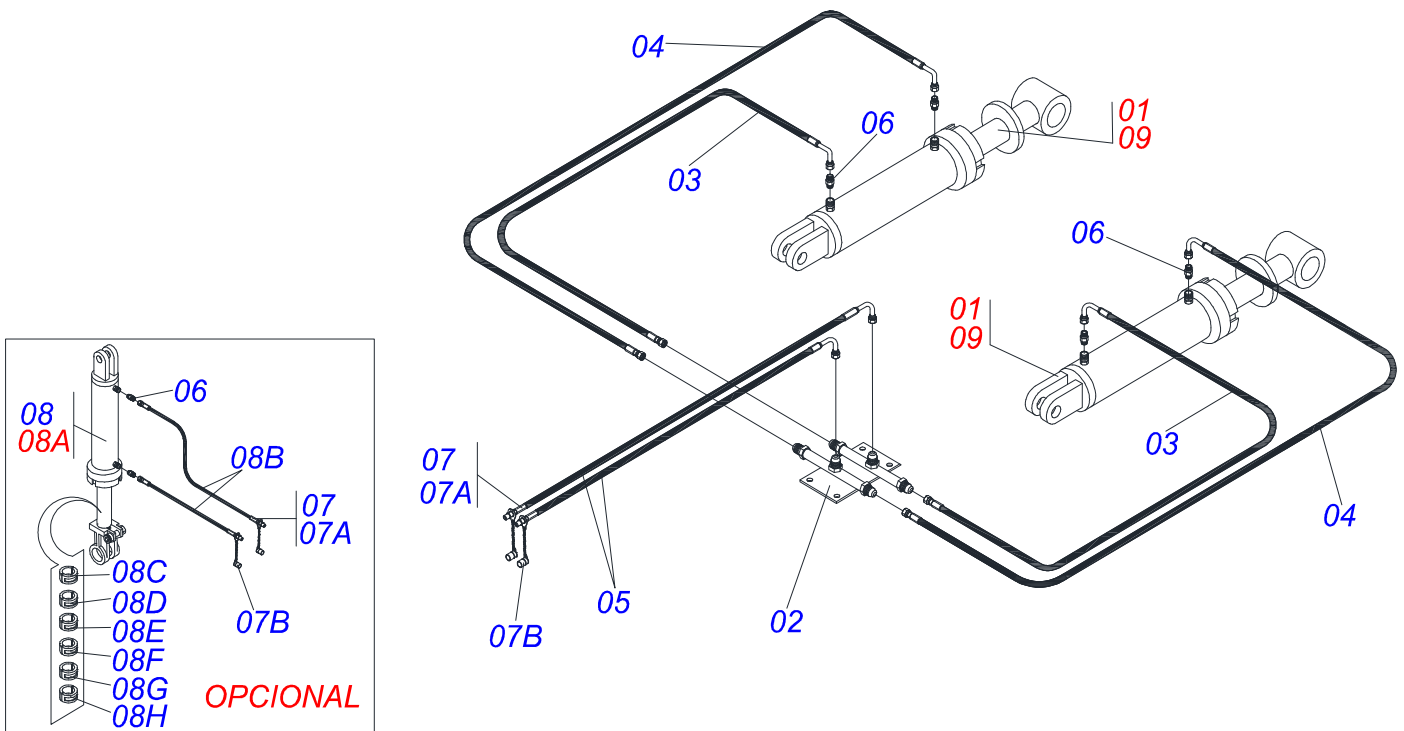
Item	Code	Description	QT
01	0501046859	1-5/8" X 70" AXLE WITH NUTS 2-3/4"	04
01A	0501015631	1-5/8" X 70" AXLE	04
01B	0502040640	1.5/8" 2.3/4" NUT	08
02	0511014339	1-5/8" 2.8" NUT LOCK	08
03	0502011048	1-5/8" EXTERNAL AXLE WASHER	04
04	0502011047	1-5/8" INNER AXLE WASHER	04
05	0501048457	262MM X 1.5/8" RD OIL BATH BEARING	08
06	0502010703	10.35" 1-5/8" SPACER	18
07	0602037004	28" X 0.2" NOTCHED DISC BLADE	60
08	0503011267	5/8" X 1.1/2" BOLT	08
09	0503010027	SPRING WASHER	08
10	0503010013	5/8" NUT	08
11	0501041925	3/4" X 3-1/2" BOLT ASSY	16
11A	0501010950	3/4" X 3-1/2" BOLT	16
11B	0501010949	3/4" SQUARE WASHER	16
11C	0501010322	FLAT WASHER	16
11D	0503010014	3/4" NUT	32



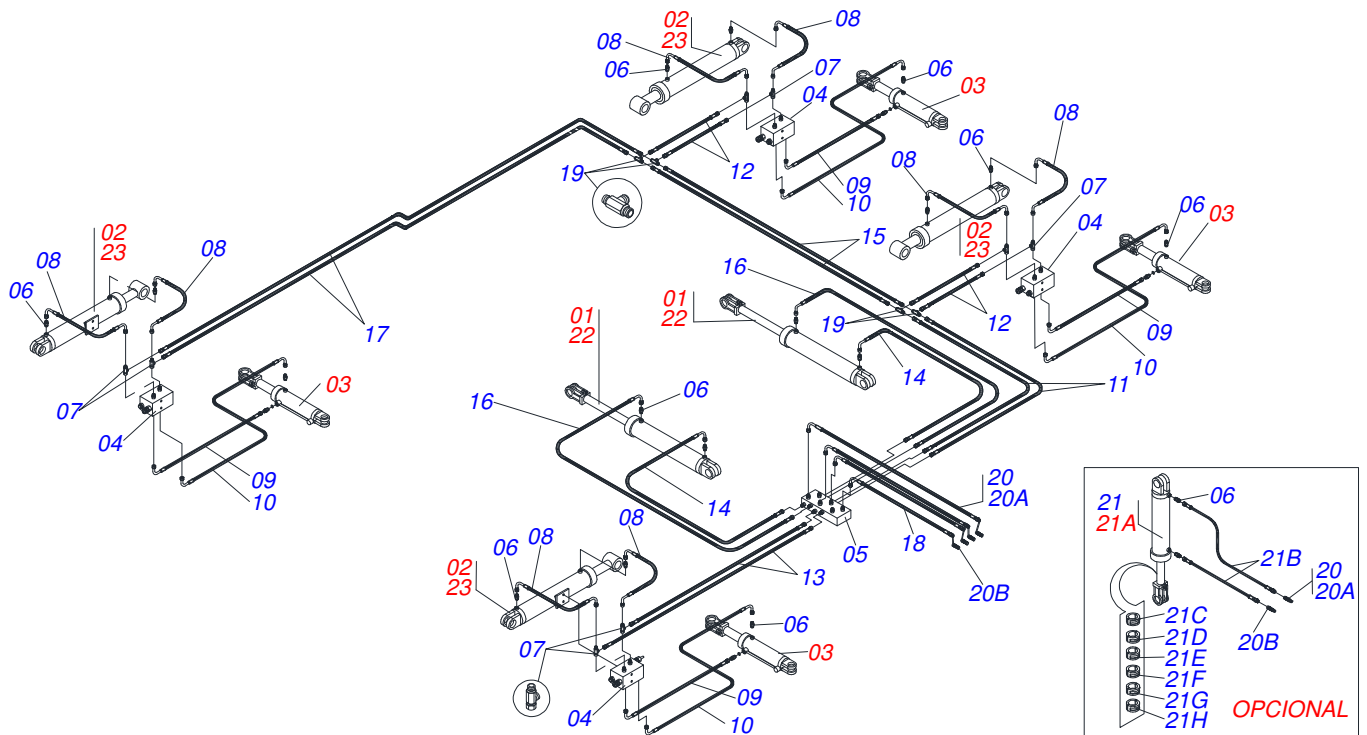
Item	Code	Description	QT
01	0501046861	1-5/8" X 80" AXLE WITH NUTS 2-3/4"	04
01A	0501019015	1-5/8 X 80" AXLE	04
01B	0502040640	1.5/8" 2.3/4" NUT	09
02	0511014339	1-5/8" 2.8" NUT LOCK	08
03	0502011048	1-5/8" EXTERNAL AXLE WASHER	04
04	0502011047	1-5/8" INNER AXLE WASHER	04
05	0501048457	262MM X 1.5/8" RD OIL BATH BEARING	08
06	0502010703	10.35" 1-5/8" SPACER	18
07	0602033267	26" X 6 NOTCHED DISC	01
08	0602037004	28" X 0.2" NOTCHED DISC BLADE	60
09	0502012377	1-5/8" EXTERNAL AXLE LOK	01
10	0511067146	10.35" AXLE 1-5/8" SPACER	01
11	0503010232	5/8" X 1.3/4" BOLT	04
12	0503010027	SPRING WASHER	12
13	0503010013	5/8" NUT	12
14	0503011267	5/8" X 1.1/2" BOLT	08
15	0501041925	3/4" X 3-1/2" BOLT ASSY	16
15A	0501010950	3/4" X 3-1/2" BOLT	16
15B	0501010949	3/4" SQUARE WASHER	16
15C	0501010322	FLAT WASHER	16
15D	0503010014	3/4" NUT	32



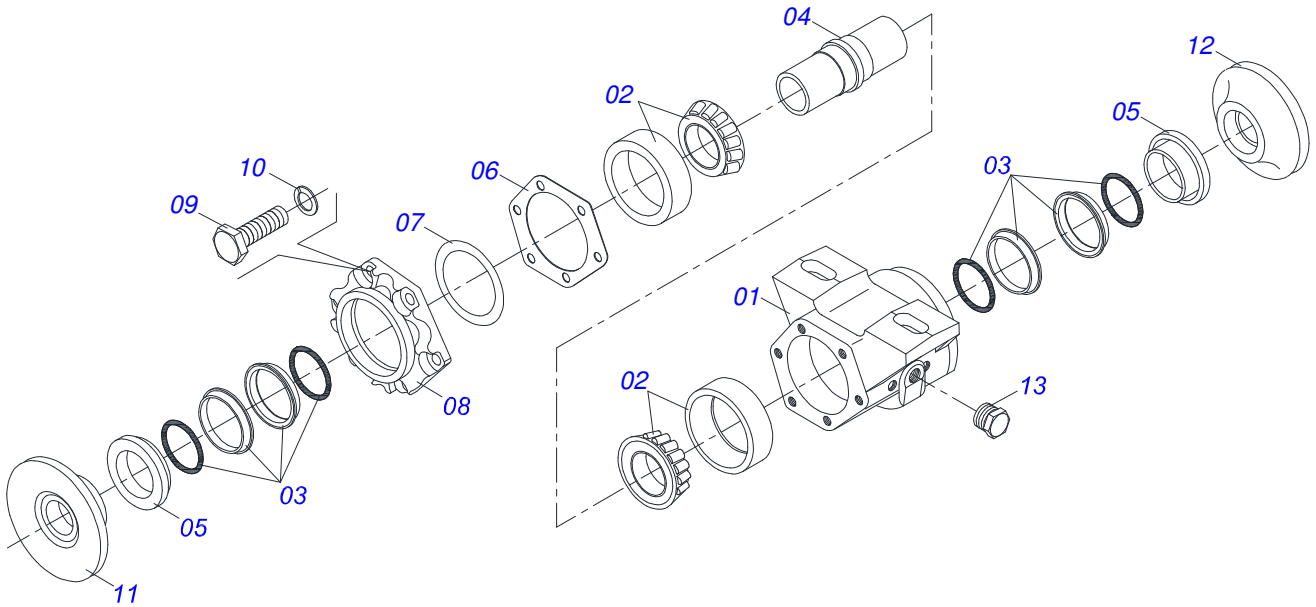
Item	Code	Description	QT
00	0503011882	QUICK CONNECTION COVER	04
01	0511050166	HYDRAULIC CYLINDER (ACTUAL)	02
02	0501069686	DOUBLE CONNECTION	01
03	0501081161	3/8 X 2320 TR-TC HOSE ASSY	02
04	0501081162	3/8 X 2620 TR-TC HOSE ASSY	02
05	0501080383	3/8" X 197" TC-TM HOSE ASSY	02
06	0501043271	3/4" NIPPLE WITH O'RING (5/16)	06
07	0501053834	QUICK CONECTION (MALE) 1/2	04
07A	0503011627	QUICK CONNECTION (MALE) AGR 1/2 NPT	04
07B	0503011882	QUICK CONNECTION COVER	04
08	0501056236	KIT CONTROL	01
08A	0511043626	44,45 X 76,20 HYDRAULIC CYLINDER	01
08B	0501010617	3/4" NIPPLE	02
08C	0503010190	2-114 N 3006-9B O'RING	02
08D	0501080509	TR-TM HOSE ASSY	02
08E	0501053834	QUICK CONECTION (MALE) 1/2	02
08F	0501047895	ROD STOP	03
08G	0501047885	ROD STOP	01
08H	0501047886	ROD STOP	01
08I	0501047887	ROD STOP	01
08J	0501047888	ROD STOP	01
09	0501054429	OIL TUB ASSY	01
09A	0521011775	OIL TUB	01
09B	0503010190	2-114 N 3006-9B O'RING	10
09C	0503010617	48548 CONE	10
09D	0503010190	2-114 N 3006-9B O'RING	06
09E	0521013598	3/4" PLUG	06
10	0511044811	HYDRAULIC CYLINDER(REPLACEMENT),	02



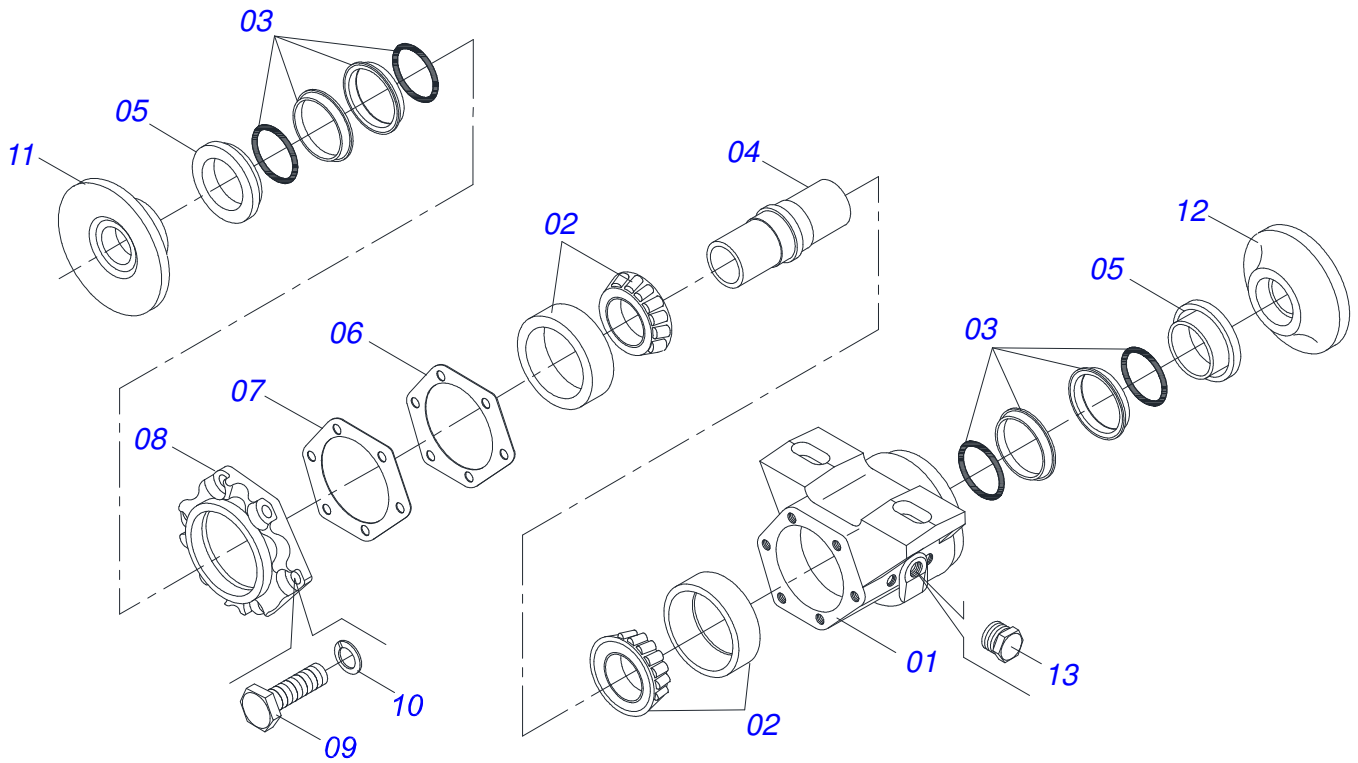
Item	Code	Description	QT
01	0511044811	HYDRAULIC CYLINDER(REPLACEMENT),	02 (PARA REPOSIÇÃO)
02	0501069686	DOUBLE CONNECTION	01
03	0501080401	3/8" X 106" TR-TC HOSE ASSY	02
04	0501080397	3/8" X 120" TR-TC HOSE ASSY	02
05	0501080383	3/8" X 197" TC-TM HOSE ASSY	02
06	0501043271	3/4" NIPPLE WITH O'RING (5/16)	06
07	0501053834	QUICK CONECTION (MALE) 1/2	04
07A	0503011627	QUICK CONNECTION (MALE) AGR 1/2 NPT	04
07B	0503011882	QUICK CONNECTION COVER	04
08	0501056236	KIT CONTROL	01
08A	0511043626	44,45 X 76,20 HYDRAULIC CYLINDER	01
08B	0501080509	TR-TM HOSE ASSY	02
08C	0501047884	0.98" ROD STOP	01
08D	0501047885	ROD STOP	01
08E	0501047886	ROD STOP	01
08F	0501047887	ROD STOP	01
08G	0501047888	ROD STOP	01
08H	0501047889	1.96" ROD STOP	01
09	0511050166	HYDRAULIC CYLINDER (ACTUAL)	02 (ATUAL)



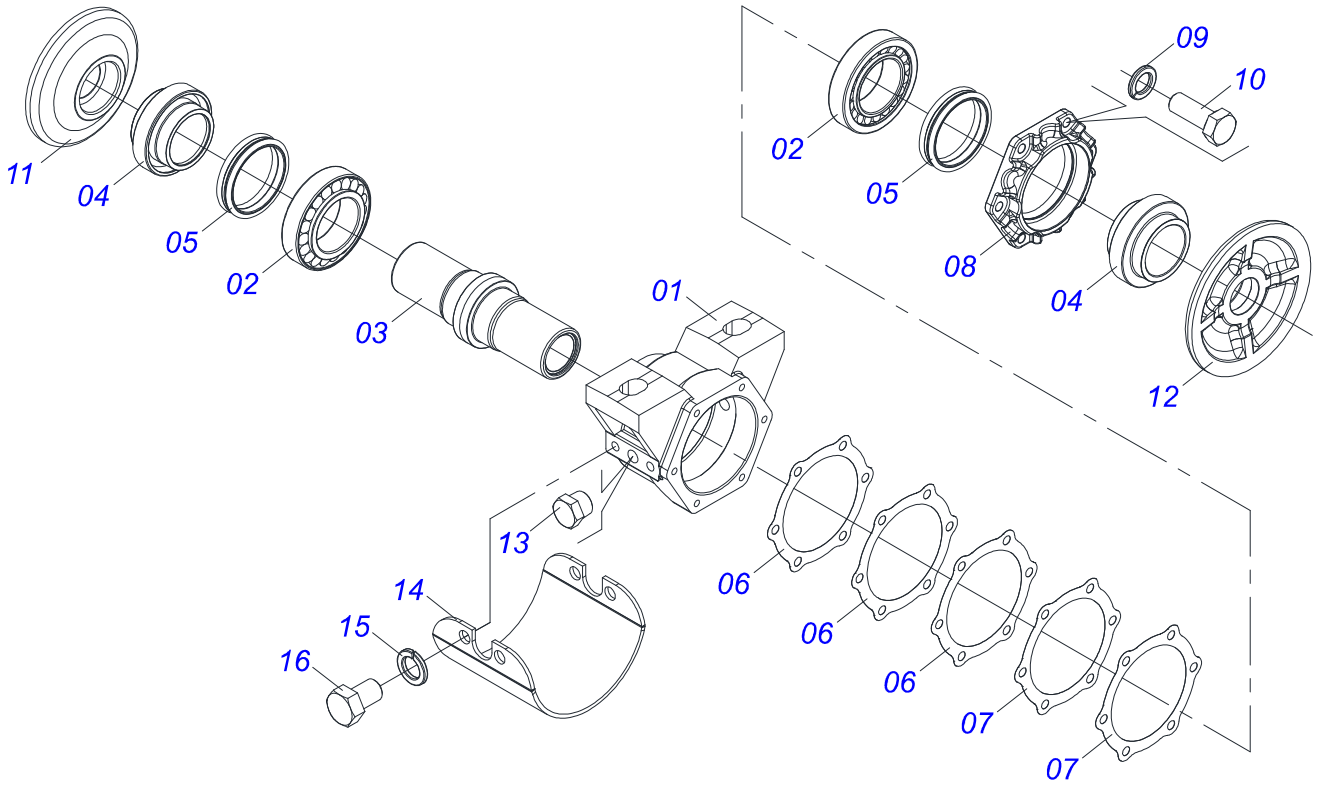
Item	Code	Description	QT
01	0511044811	HYDRAULIC CYLINDER(REPLACEMENT),	02 (PARA REPOSIÇÃO)
02	0501043059	2.0" X 4" X 31" X 15" HYDR	04 (PARA REPOSIÇÃO)
03	0501048066	HYDRAULIC CYLINDER	04
04	0501052468	SEQUENCE VALVE C/NIPPLES	04
05	0501048090	OIL TUB ASSY	01
06	0501043271	3/4" NIPPLE WITH O'RING (5/16)	21
07	0503011968	T ADAPTOR WITH GIRAT	08
08	0501080199	3/8" X 13.4" TC-TC HOSE ASSY	08
09	0501080507	3/8" X 21.6" TR-TC HOSE ASSY	04
10	0501080900	3/8" X 23.6" TC-TC HOSE ASSY	04
11	0501080506	3/8" X 75" TR-TR HOSE ASSY	02
12	0501080047	3/8" X 67" TR-TR HOSE ASSY	04
13	0501080296	3/8" X 106" TR-TR HOSE ASSY	02
14	0501080401	3/8" X 106" TR-TC HOSE ASSY	02
15	0501080615	3/8" X 112" TR-TR HOSE ASSY	02
16	0501080397	3/8" X 120" TR-TC HOSE ASSY	02
17	0501080642	3/8" X 173" TR-TR HOSE ASSY	02
18	0501080383	3/8" X 197" TC-TM HOSE ASSY	06
19	0503011271	3/4" UNF "T" CONNECTION T 3 SIDES	04
20	0501053834	QUICK CONECTION (MALE) 1/2	06
20A	0503011627	QUICK CONNECTION (MALE) AGR 1/2 NPT	06
20B	0503011882	QUICK CONNECTION COVER	06
21	0501056236	KIT CONTROL	01
21A	0511043626	44,45 X 76,20 HYDRAULIC CYLINDER	01
21B	0501080509	TR-TM HOSE ASSY	02
21C	0501047884	0.98" ROD STOP	01
21D	0501047885	ROD STOP	01
21E	0501047886	ROD STOP	01
21F	0501047887	ROD STOP	01
21G	0501047888	ROD STOP	01
21H	0501047889	1.96" ROD STOP	01
22	0511050166	HYDRAULIC CYLINDER (ACTUAL)	02 (ATUAL)
23	0511050167	50,8 X 101,6 X 800 X 400 HIDRAULIC CYLINDER	04 (ATUAL)



Item	Code	Description	QT
01	0502020481	HOUSING DM	01
02	0503010005	32212 ROLLER BEARING	02
03	0503030027	DUO-CONE SEAL	02
04	0502010900	BEARING AXLE	01
05	0502010735	SEAL RETAINER	02
06	0503030030	5.6" X 4.4" X 0.01" GASKET	02
07	0503030685	5.5" X 4.4" X 0.003" GASKET	02
08	0502020161	BEARING CAP	01
09	0503010237	3/8" X 1" BOLT	06
10	0503011443	SPRING WASHER	06
11	0502040239	OUTER FLANGE	01
12	0502040240	INNER FLANGE	01
13	0503010856	OIL PLUG	01



Item	Code	Description	QT
01	0502020482	HOUSING DM	01
02	0503010005	32212 ROLLER BEARING	02
03	0503030027	DUO-CONE SEAL	02
04	0502010900	BEARING AXLE	01
05	0502010735	SEAL RETAINER	02
06	0503030030	5.6" X 4.4" X 0.01" GASKET	02
07	0503030685	5.5" X 4.4" X 0.003" GASKET	02
08	0502020161	BEARING CAP	01
09	0503010237	3/8" X 1" BOLT	06
10	0503010025	3/8 SPRING WASHER	06
11	0502040239	OUTER FLANGE	01
12	0502040240	INNER FLANGE	01
13	0503010856	OIL PLUG	01



Item	Code	Description	QT
01	0502020636	8.8" X 1-5/8" OIL HOUSING BEARING	01
02	0503013496	3982/3920 ROLLER BEARING	02
03	0502010740	AXLE TK	01
04	0502010736	SEAL RETAINER	02
05	0503030027	DUO-CONE SEAL	02
06	0503030030	5.6" X 4.4" X 0.01" GASKET	03
07	0503030685	5.5" X 4.4" X 0.003" GASKET	02
08	0502020161	BEARING CAP	01
09	0503011443	SPRING WASHER	06
10	0503010237	3/8" X 1" BOLT	06
11	0502040240	INNER FLANGE	01
12	0502040239	OUTER FLANGE	01
13	0503010856	OIL PLUG	02
14	0521012933	BEARING GUARD	01
15	0503010019	1/2" SPRING WASHER	04
16	0503011401	1/2" X 3/4" BOLT	04

ANNOTATIONS

ORIGINAL PARTS
CIVEMASA

civemasa



email: civemasa@civemasa.com.br

www.civemasa.com.br

Phone: +55 16.3382.8222

Fax: +55 16.3382.8355

MARCHESAN IMPLEMENTOS E MÁQUINAS AGRÍCOLAS "TATU" S.A.

Av. Marchesan, 1979 - Post Office box, 131 - Cep 15994-900 - Matão - Sp - Brasil

CNPJ 52.311.289/0001-63 | Inst. Est.441.000.151.114

Technical Publications: Elaboration

LUIZ CANDIDO

Technical Publications: Revision

ALESSANDRA PATRICIA KAWAHARA CARRILI

Contact Catálogo:

E-mail = jgaspari@marchesan.com.br

**ORIGINAIS PARTS
CIVEMASA**

civemasa