

DISK HARROWS

**GCCRO 7010 HYDRAULIC ARTICULATED
AXLE 1.5/8"**

Code: 0501091635

Series: S-0405

Revision: 00

Revision Date: MAIO/2022

**PARTS
CATALOGUE**


CIVEMASA

PRODUCTS

Code	Description
0121560013	GCCRO 7010 52X30X7,5DMDR ESPEC S405
0121560004	GCCRO 7010 60X28X7,5DM DR S/ET S405

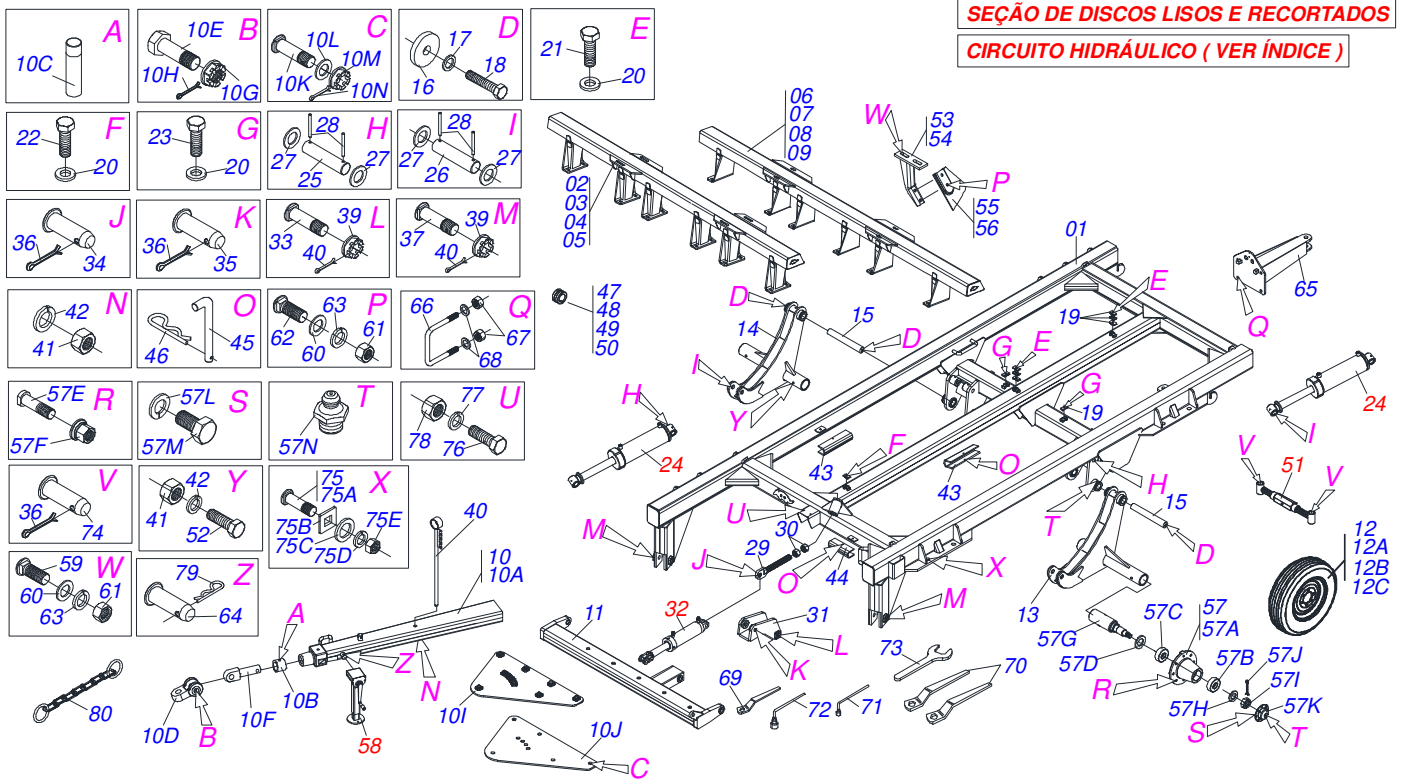
ATTENTION: IMPORTANT

CIVEMASA reserves the right to improve and/or modify the technical features of its products, without obligation to do the same with those products already sold and without prior knowledge of the dealer or the consumer. The photos are only illustrative.



INDEX

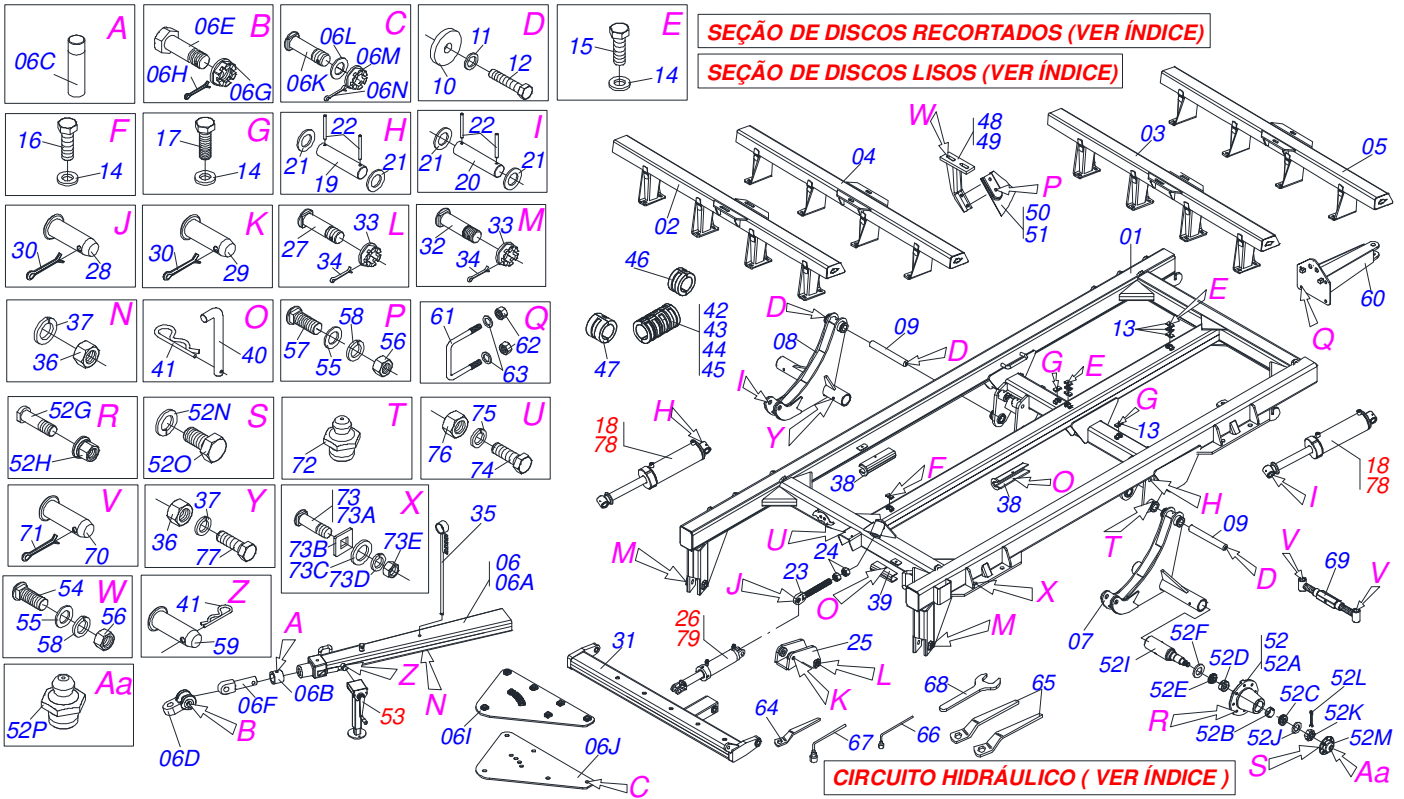
0909094719	GCCRO 7010 28 A 40 D.	1
0909094720	GCCRO 7010 48 D.	2
0909094721	GCCRO 7010 52.56 E 60 D.	3
0511048088	DRAWBAR JACK	4
0501052005	STABILIZER FOR GANG	5
0511048618	101,6 X 810 HYDRAULIC CYLINDER	6
0511048617	HYDRAULIC CYLINDER	7
0511048619	HYDRAULIC CYLINDER	8
0909090579	GANG REAR DISC 28 THE 40	9
0909090580	GANG FRONT DISC 28 THE 40	10
0909091447	FRONT GANG DISC - 44/48D	11
0909091448	RIGHT SIDE REAR DISC SECTION - 48D	12
0909090584	FRONT GANG DISC 52 TO 60	13
0909090585	FRONT GANG DISC 52 TO 60	14
0909090586	REAR GANG DISC 52 TO 60	15
0909090587	REAR GANG DISC 52 TO 60	16
0909094723	GANG DISC 56	17
0909091451	LEFT SIDE REAR GANG DISC - 52/56/60D	18
0501048457	262MM X 1.5/8" RD OIL BATH BEARING	19
0909093381	28/48D - HYDRAULIC CIRCUIT	20
0909091453	HYDRAULIC CIRCUIT - 52/56/60D	21



Item	Code	Description	See page	28	32	36	40	D.
01	0521064410	FRAME E300 50		01	01	01	01	01
02	0521065582	FRONT FRAME- 28D		01				
03	0521065589	FRONT FRAME		01				
04	0521065591	FRONT FRAME		01				
05	0521065593	FRONT FRAME		01				
06	0521065583	REAR FRAME - 28D		01				
07	0521065590	REAR FRAME		01				
08	0521065592	REAR FRAME		01				
09	0521065594	REAR FRAME		01				
10	0511041592	DRAWBAR ASSY		01	01	01	01	01
10A	0511064669	DRAWBAR ASSY		01	01	01	01	01
10B	0502040263	ANEL TRAVA ENGATE		01	01	01	01	01
10C	0561017306	COUPLING SHAFT		01	01	01	01	01
10D	0502040293	YH-90 CLEVIS		01	01	01	01	01
10E	0511067199	2" BOLT		01	01	01	01	01
10F	0502040264	DRAWBOLT		01	01	01	01	01
10G	0502040558	2" CASTLE NUT		01	01	01	01	01
10H	0503010074	3/8 X 0,15" COTTERPIN		01	01	01	01	01
10I	0511064659	UPPER PLATE		01	01	01	01	01
10J	0511064658	LOWER PLATE		01	01	01	01	01
10K	0521011880	37,5 X 242 COUPLING SHAFT		01	01	01	01	01
10L	0501012916	FLAT WASHER 38,50 X 66 X 4,75 ZN		01	01	01	01	01
10M	0501011301	1.1/2 UNC 6FPP 2.5/16 NUT		01	01	01	01	01
10N	0503010010	1/4" X 2.1/2" COTTERPIN		01	01	01	01	01
11	0511066478	HITCH BAR		01	01	01	01	01
12	0503060414	WHEEL AND TIRE		04	04	04	04	04
12A	0503012108	WHEEL 10 LB X 15 X 8F X 203		04	04	04	04	04
12B	0503010860	AIR CHAMBER 11L 15		04	04	04	04	04
12C	0503011469	RIB TIRE BL - 12L		04	04	04	04	04
13	0511066611	LEFT CARRYING-WHEELS SUPPORT		01	01	01	01	01
14	0511066741	RIGHT CARRYING-WHEELS SUPPORT		01	01	01	01	01

Item	Code	Description	See page	28	32	36	40	D.
15	0531018062	COUPLING SHAFT		04	04	04	04	
16	0521011565	FLAT WASHER		04	04	04	04	
17	0503010012	1" SPRING WASHER		04	04	04	04	
18	0503011250	1" X 2" BOLT		04	04	04	04	
19	0502012702	BODY SUPPORT CLAMP		10	10	10	10	
20	0503010180	7/16" SPRING WASHER		05	05	05	05	
21	0503012555	SCREW 7/16 UNC X 2 CS RT G.7 ZN		02	02	02	02	
22	0503010850	BOLT 7/16 UNC X 3 CS G.5 ZN		01	01	01	01	
23	0503010851	7/16" X 3.1/2" BOLT		02	02	02	02	
24	0521051832	HYDRAULIC CYLINDER 53,98 X 114,30 X 654 X 346		02	02	02	02	
25	0531018105	1.2" X 11.8" PIVOT SHAFT		02	02	02	02	
26	0531018101	1.2" X 6.3" PIVOT SHAFT		02	02	02	02	
27	0501017779	32 X 60 X 4.75 FLAT WASHER		08	08	08	08	
28	0503011877	0.3" X 2.4" SPRING PIN		08	08	08	08	
29	0511064433	REGULATOR SPINDLE 1-3/4		01	01	01	01	
30	0501010333	1.3/4" NUT		02	02	02	02	
31	0511064656	DRAWBAR PIVOT		01	01	01	01	
32	0511048617	HYDRAULIC CYLINDER	7	01	01	01	01	
33	0521012053	1.5" X 8.6" AXLE		01	01	01	01	
34	0521012538	1.2" X 3.5" COUPLING SHAFT		01	01	01	01	
35	0531019171	1.25" X 7" COUPLING SHAFT		01	01	01	01	
36	0503010523	1/4" X 2" COTTERPIN		02	02	02	02	
37	0531018100	37,50 X 200 COUPLING SHAFT		02	02	02	02	
38	0501011301	1.1/2 UNC 6FPP 2.5/16 NUT		03	03	03	03	
39	0503010010	1/4" X 2.1/2" COTTERPIN		08	08	08	08	
40	0521062849	HOSE HOLDER ASSY		01	01	01	01	
41	0503010014	3/4" NUT		05	05	05	05	
42	0503010023	3/4" SPRING WASHER		05	05	05	05	
43	0561016693	TRANSPORT LOCK		02	02	02	02	
44	0551010332	TRANSPORT LOCK		01	01	01	01	
45	0541016844	FIXER LOCK		03	03	03	03	
46	0503030168	HITCH PIN CLIP		04	04	04	04	
47	0501047895	ROD STOP		07	07	07	07	
48	0501047885	ROD STOP		09	09	09	09	
49	0501047886	ROD STOP		03	03	03	03	
50	0501047887	ROD STOP		03	03	03	03	
51	0501052005	STABILIZER FOR GANG	5	01	01	01	01	
52	0503013185	3/4" X 5-1/2" BOLT		04	04	04	04	
53	0511065925	REAR SCRAPER SUPPORT		15	17	19	25	
54	0511065926	FRONT SCRAPER SUPPORT		04	16	18	24	
55	0541013461	FRONT SCRAPER SHOVEL		14	16	18	24	
56	0541013463	REAR SCRAPER SHOVEL		15	17	19	25	
57	0501056467	STUB SHAFT & HUB ASSY		04	04	04	04	
57A	0502012260	TRANSPORT WHEEL BOX		04	04	04	04	
57B	0503015290	3780/3720 ROLLER BEARING		04	04	04	04	
57C	0503014821	ROLLER BEARING		04	04	04	04	
57D	0503013314	RETAINER 5166-GB 63,5 X 110 X 13 ARCA		04	04	04	04	
57E	0501010186	WHEEL SCREW 5/8UNF X 2.1/8CR		32	32	32	32	
57F	0503010064	5/8 UNF CONIC NUT		32	32	32	32	
57G	0541016566	POINT AXIS 3.1/2 X 375		04	04	04	04	
57H	0511012492	FLAT WASHER		04	04	04	04	
57I	0503030009	1" CASTLE NUT		04	04	04	04	
57J	0503010018	5/32 X 1-1/2 COTTERPIN		04	04	04	04	
57K	0502020591	PROTECCION COVER		04	04	04	04	
57L	0503011444	SPRING WASHER		16	16	16	16	
57M	0503010358	5/16" X 5/8" BOLT		04	04	04	04	
57N	0503010002	1800 GREASE FITTING		04	04	04	04	
58	0511048088	DRAWBAR JACK	4	01	01	01	01	
59	0503013842	5/8" UNC X 1-3/4" BOLT		08	08	08	08	

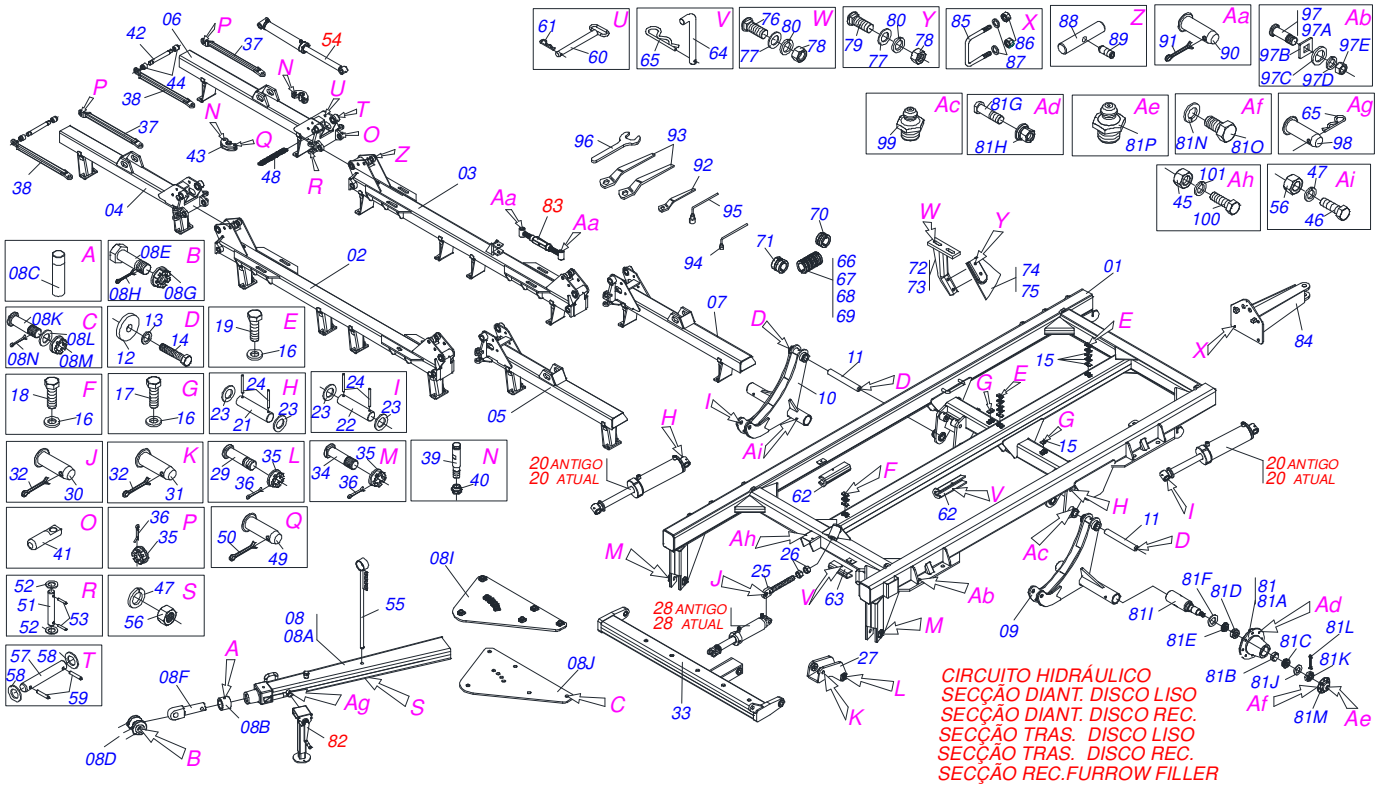
Item	Code	Description	See page	28	32	36	40	D.
60	0501012140	FLAT WASHER		128	132	148	164	
61	0503010013	5/8" NUT		120	140	148	172	
62	0503012195	5/8" NUT		58	74	66	82	
63	0503010027	5/8" SPRING WASHER		132	156	168	188	
64	0561014251	COUPLING SHAFT		01	01	01	01	
65	0501069421	REAR HITCH GCRO		01	01	01	01	
66	0541016679	7/8 UNF X 188,5 FASTENER		02	02	02	02	
67	0503010558	7/8" NUT		04	04	04	04	
68	0503010408	7/8" SPRING WASHER		04	04	04	04	
69	0501011432	1-1/2" AND 1-5/8 GANG BOLT WRENCH		01	01	01	01	
70	0501011431	1-3/4" GANG BOLT WRENCH		02	02	02	02	
71	0503016140	3/4" WRENCH CABLE CYLINDRICAL		01	01	01	01	
72	0503016137	1-1/4" WRENCH CABLE CYLINDER		01	01	01	01	
73	0541015451	FIXED KEY 2.3/8 X 2.3/4		01	01	01	01	
74	0521010546	1.2" X 5.7" COUPLING SHAFT		02	02	02	02	
75	0501041102	1-1/4" X 3-3/4" ASSY BOLT		08	08	08	08	
75A	0501015348	1-1/4" X 3-3/4" BOLT		08	08	08	08	
75B	0501010953	1-1/4" SQUARE WASHER		08	08	08	08	
75C	0531010713	FLAT WASHER		08	08	08	08	
75D	0503010070	SPRING WASHER		08	08	08	08	
75E	0501010087	1.1/4" NUT		08	08	08	08	
76	0503010765	3/8" X 3" BOLT		02	02	02	02	
77	0503010025	3/8" SPRING WASHER		02	02	02	02	
78	0503010026	3/8" NUT		02	02	02	02	
79	0503030285	HITCH PIN CLIP		03	03	03	03	
80	0503013150	1300 X 3/8 CHAIN		01	01	01	01	



Item	Code	Description	See page
01	0501069409	CENTER FRAME GCRO 2240 44 A 56	01 01
02	0511065927	REAR FRAME	01
03	0501069842	253.34" FRONT FRAME	01
04	0511065928	REAR FRAME	01
05	0501069843	253" REAR FRAME	01
06	0511041592	DRAWBAR ASSY	01 01
06A	0511064669	DRAWBAR ASSY	01 01
06B	0502040263	ANEL TRAVA ENGATE	01 01
06C	0501014219	32M107 PIN	01 01
06D	0502040293	YH-90 CLEVIS	01 01
06E	0511067199	2" BOLT	01 01
06F	0502040264	DRAWBOLT	01 01
06G	0502040558	2" CASTLE NUT	01 01
06H	0503010074	3/8 X 0,15" COTTERPIN	01 01
06I	0511064659	UPPER PLATE	01 01
06J	0511064658	LOWER PLATE	01 01
06K	0521011880	37,5 X 242 COUPLING SHAFT	01 01
06L	0501012916	FLAT WASHER 38,50 X 66 X 4,75 ZN	01 01
06M	0501011301	1.1/2 UNC 6FPP 2.5/16 NUT	01 01
06N	0503010010	1/4" X 2.1/2" COTTERPIN	01 01
07	0511066611	LEFT CARRYING-WHEELS SUPPORT	01 01
08	0511066741	RIGHT CARRYING-WHEELS SUPPORT	01 01
09	0531018062	COUPLING SHAFT	02 02
10	0521011565	FLAT WASHER	04 04
11	0503010012	1" SPRING WASHER	04 04
12	0503011250	1" X 2" BOLT	04 04
13	0502012702	BODY SUPPORT CLAMP	10 10
14	0503010180	7/16" SPRING WASHER	05 05
15	0503012555	SCREW 7/16 UNC X 2 CS RT G.7 ZN	02 02
16	0503010850	BOLT 7/16 UNC X 3 CS G.5 ZN	01 01
17	0503010851	7/16" X 3.1/2" BOLT	02 02

Item	Code	Description	See page	44 48 D.
18	0511041599	2 X 5 X 25,75 X 13,62 HYDRAULIC CYLINDER		02 02 REPOSIÇÃO
19	0531018105	1.2" X 11.8" PIVOT SHAFT		02 02
20	0531018101	1.2" X 6.3" PIVOT SHAFT		02 02
21	0501017779	32 X 60 X 4.75 FLAT WASHER		08 08
22	0503011877	0.3" X 2.4" SPRING PIN		08 08
23	0511064433	REGULATOR SPINDLE 1-3/4		01 01
24	0501010333	1.3/4" NUT		02 02
25	0511064656	DRAWBAR PIVOT		01 01
26	0501049064	50,8 X 101,6 X 515 X 203 HYDRAULIC CYLINDER		01 01 REPOSIÇÃO
27	0521012053	1.5" X 8.6" AXLE		01 01
28	0521012538	1.2" X 3.5" COUPLING SHAFT		01 01
29	0531019171	1.25" X 7" COUPLING SHAFT		01 01
30	0503010523	1/4" X 2" COTTERPIN		02 02
31	0511066478	HITCH BAR		01 01
32	0531018100	37,50 X 200 COUPLING SHAFT		02 02
33	0501011301	1.1/2 UNC 6FPP 2.5/16 NUT		03 03
34	0503010010	1/4" X 2.1/2" COTTERPIN		03 03
35	0511064470	HOSE HOLDER ASSY		01 01
36	0503010014	3/4" NUT		05 05
37	0503010023	3/4" SPRING WASHER		05 05
38	0511064985	TRANSPORT LOCK		02 02
39	0551010332	TRANSPORT LOCK		01 01
40	0541016844	FIXER LOCK		03 03
41	0503030168	HITCH PIN CLIP		04 04
42	0501047895	ROD STOP		03 03
43	0501047896	1.18" ROD STOP		03 03
44	0501047897	1.38" ROD STOP		03 03
45	0501047898	1.57" ROD STOP		03 03
46	0501047917	1.96" ROD STOP		03 03
47	0501047924	ROD STOP		03 03
48	0511065925	REAR SCRAPER SUPPORT		25 25
49	0511065926	FRONT SCRAPER SUPPORT		24 24
50	0541013461	FRONT SCRAPER SHOVEL		24 24
51	0541013463	REAR SCRAPER SHOVEL		25 25
52	0501056467	STUB SHAFT & HUB ASSY		04 04
52A	0502012260	TRANSPORT WHEEL BOX		04 04
52B	0503013270	3720 CAP		04 04
52C	0503013271	3780 CONE		04 04
52D	0503013266	2720 CAP		04 04
52E	0503013267	2780 CONE		04 04
52F	0503013314	RETAINER 5166-GB 63,5 X 110 X 13 ARCA		04 04
52G	0501010186	WHEEL SCREW 5/8UNF X 2.1/8CR		32 32
52H	0503010064	5/8 UNF CONIC NUT		32 32
52I	0541016566	POINT AXIS 3.1/2 X 375		04 04
52J	0511012492	FLAT WASHER		04 04
52K	0503030009	1" CASTLE NUT		04 04
52L	0503010018	5/32 X 1-1/2 COTTERPIN		04 04
52M	0502020591	PROTECCION COVER		04 04
52N	0503011444	SPRING WASHER		16 16
52O	0503010358	5/16" X 5/8" BOLT		16 16
52P	0503010002	1800 GREASE FITTING		04 04
53	0511048088	DRAWBAR JACK	4	01 01
54	0503013842	5/8" UNC X 1-3/4" BOLT		98 98
55	0501012140	FLAT WASHER		196 196
56	0503010013	5/8" NUT		196 196
57	0503012195	5/8" NUT		98 98
58	0503010027	5/8" SPRING WASHER		196 196
59	0541011345	16 X 68 PLUGER		01 01
60	0501069421	REAR HITCH GCRO		01 01

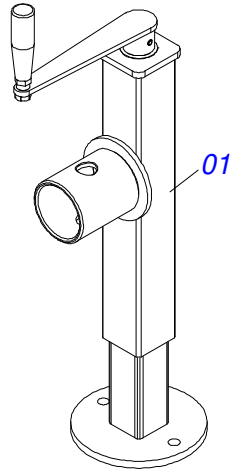
Item	Code	Description	See page	44 48 D.
61	0541016679	7/8 UNF X 188,5 FASTENER		02 02
62	0503010558	7/8" NUT		04 04
63	0503010408	7/8" SPRING WASHER		04 04
64	0501011432	1-1/2" AND 1-5/8 GANG BOLT WRENCH		01 01
65	0501011431	1-3/4" GANG BOLT WRENCH		02 02
66	0501061609	3/4" WRENCH CABLE CYLINDRICAL		01 01
67	0501062300	1-1/4" WRENCH CABLE CYLINDRICAL		01 01
68	0541015451	FIXED KEY 2.3/8 X 2.3/4		01 01
69	0501052005	STABILIZER FOR GANG	5	01 01
70	0521010546	1.2" X 5.7" COUPLING SHAFT		02 02
71	0503010523	1/4" X 2" COTTERPIN		02 02
72	0503010002	1800 GREASE FITTING		20 20
73	0501041102	1-1/4" X 3-3/4" ASSY BOLT		08 08
73A	0501015348	1-1/4" X 3-3/4" BOLT		08 08
73B	0501010953	1-1/4" SQUARE WASHER		08 08
73C	0531010713	FLAT WASHER		08 08
73D	0503010070	SPRING WASHER		08 08
73E	0501010087	1.1/4" NUT		08 08
74	0503010765	3/8" X 3" BOLT		02 02
75	0503010025	3/8" SPRING WASHER		02 02
76	0503010026	3/8" NUT		02 02
77	0503013185	3/4" X 5-1/2" BOLT		04 04
78	0521051832	HYDRAULIC CYLINDER 53,98 X 114,30 X 654 X 346		02 02 ATUAL
79	0511048617	HYDRAULIC CYLINDER	7	01 01 ATUAL



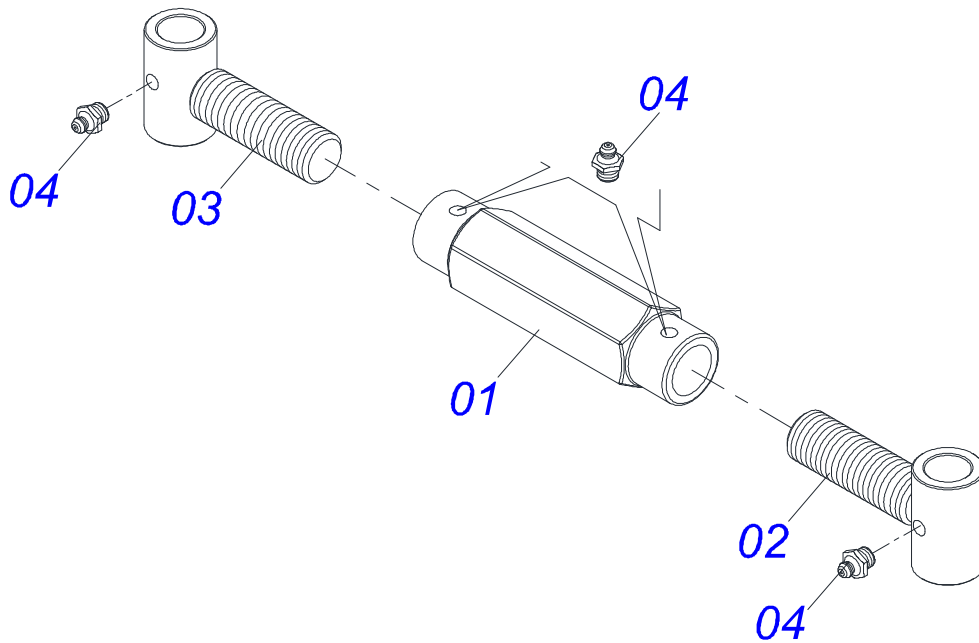
Item	Code	Description	See page	52	56	60
001	0521063431	FRAME		01	01	01
002	0511066556	FRONT CENTRAL FRAME		01	01	01
003	0511066557	REAR CENTER FRAME		01	01	01
004	0521065084	SIDE REAR FRAME		01	00	00
004.	0521063454	SIDE REAR FRAME		00	01	00
004..	0521063991	SIDE REAR FRAME		00	00	01
005	0521065085	SIDE REAR FRAME		01	00	00
005.	0521063455	SIDE REAR FRAME		00	01	00
005..	0521063992	SIDE REAR FRAME		00	00	01
006	0521065086	RIGHT REAR SIDE FRAME		01	00	00
006.	0521063456	RIGHT REAR SIDE FRAME		00	01	00
006..	0521063993	RIGHT REAR SIDE FRAME		00	00	01
007	0521065087	LEFT REAR SIDE FRAME		01	00	00
007.	0521063457	LEFT REAR SIDE FRAME		00	01	00
007..	0521063994	LEFT REAR SIDE FRAME		00	00	01
008	0511041592	DRAWBAR ASSY		01	01	01
008A	0511064669	DRAWBAR ASSY		01	01	01
008B	0502040263	ANEL TRAVA ENGATE		01	01	01
008C	0501014219	32M107 PIN		01	01	01
008D	0502040293	YH-90 CLEVIS		01	01	01
008E	0511067199	2" BOLT		01	01	01
008F	0502040264	DRAWBOLT		01	01	01
008G	0502040558	2" CASTLE NUT		01	01	01
008H	0503010074	3/8 X 0,15" COTTERPIN		01	01	01
008I	0511064659	UPPER PLATE		01	01	01
008J	0511064658	LOWER PLATE		01	01	01
008K	0521011880	37,5 X 242 COUPLING SHAFT		06	06	06
008L	0501012916	FLAT WASHER 38,50 X 66 X 4,75 ZN		06	06	06
008M	0501011301	1.1/2 UNC 6FPP 2.5/16 NUT		06	06	06
008N	0503010010	1/4" X 2.1/2" COTTERPIN		06	06	06
009	0511066611	LEFT CARRYING-WHEELS SUPPORT		01	01	01

Item	Code	Description	See page	52	56	60
010	0511066741	RIGHT CARRYING-WHEELS SUPPORT		01	01	01
011	0531018062	COUPLING SHAFT		02	02	02
012	0521011565	FLAT WASHER		04	04	04
013	0503010012	1" SPRING WASHER		04	04	04
014	0503011250	1" X 2" BOLT		04	04	04
015	0502012702	BODY SUPPORT CLAMP		15	15	15
016	0503010180	7/16" SPRING WASHER		05	05	05
017	0503012555	SCREW 7/16 UNC X 2 CS RT G.7 ZN		02	02	02
018	0503010850	BOLT 7/16 UNC X 3 CS G.5 ZN		01	01	01
019	0503010723	7/16UNC X 4 C SG.5 ZN1K19920 BOLT		02	02	02
020	0521051832	HYDRAULIC CYLINDER 53,98 X 114,30 X 654 X 346		02	02	02(atual)
020.	0511048619	HYDRAULIC CYLINDER	8	02	02	02(reposicao)
021	0531018105	1.2" X 11.8" PIVOT SHAFT		02	02	02
022	0531018101	1.2" X 6.3" PIVOT SHAFT		02	02	02
023	0501017779	32 X 60 X 4.75 FLAT WASHER		08	08	08
024	0503011877	0.3" X 2.4" SPRING PIN		08	08	08
025	0511064433	REGULATOR SPINDLE 1-3/4		01	01	01
026	0501010333	1.3/4" NUT		02	02	02
027	0511064656	DRAWBAR PIVOT		01	01	01
028	0511048617	HYDRAULIC CYLINDER	7	01	01	01(atual)
028.	0501049064	50,8 X 101,6 X 515 X 203 HYDRAULIC CYLINDER		01	01	01(reposicao)
029	0521012053	1.5" X 8.6" AXLE		01	01	01
030	0521012538	1.2" X 3.5" COUPLING SHAFT		01	01	01
031	0531019171	1.25" X 7" COUPLING SHAFT		01	01	01
032	0503010523	1/4" X 2" COTTERPIN		02	02	02
033	0511066478	HITCH BAR		01	01	01
034	0531018100	37,50 X 200 COUPLING SHAFT		02	02	02
035	0501011301	1.1/2 UNC 6FPP 2.5/16 NUT		11	11	11
036	0503010010	1/4" X 2.1/2" COTTERPIN		11	11	11
037	0511067209	FRONT DRIVER ARM		04	04	04
038	0511067210	DRIVER ARM		04	04	04
039	0541016749	LOCK AXLE PIVOT		08	08	08
040	0541019258	1.1/4 ADJUSTING NUT		08	08	08
041	0541019253	FRAME LOCK AXLE		08	08	08
042	0501210091	ARTICULATOR PIVOT AXIS		04	04	04
043	0511066497	LOK PIVOT		08	08	08
044	0541016614	38,20 X 62 X 61 SLEEVE		08	08	08
045	0503010026	3/8" NUT		02	02	02
046	0503013185	3/4" X 5-1/2" BOLT		04	04	04
047	0503010023	3/4" SPRING WASHER		05	05	05
048	0503032537	50,7 X 325 X 6,35 TRACTION SPRING		04	04	04
049	0521010572	0.9" X 2.9" COUPLING SHAFT		08	08	08
050	0503010571	1/4" X 1.1/2 COTTERPIN		08	08	08
051	0541016677	37,20 X 177 COUPLING SHAFT		08	08	08
052	0511019685	FLAT WASHER		08	08	08
053	0503010361	SPRING PIN		08	08	08
054	0511048618	101,6 X 810 HYDRAULIC CYLINDER	6	02	02	02(atual)
054.	0511043621	50,8 X 101,6 HYDRAULIC CYLINDER		04	04	04(reposicao)
055	0511064470	HOSE HOLDER ASSY		01	01	01
056	0503010014	3/4" NUT		05	05	05
057	0521011720	2.0" X 15.7" COUPLING SHAFT		04	04	04
058	0511019776	FLAT WASHER		08	08	08
059	0503011069	0.4" X 2.8" SPRING PIN		08	08	08
060	0501069463	1" X 8" LOCK PIN		04	04	04
061	0503030012	HITCH PIN CLIP		04	04	04
062	0511064985	TRANSPORT LOCK		02	02	02
063	0551010332	TRANSPORT LOCK		01	01	01
064	0541016844	FIXER LOCK		03	03	03
065	0503030168	HITCH PIN CLIP		04	04	04

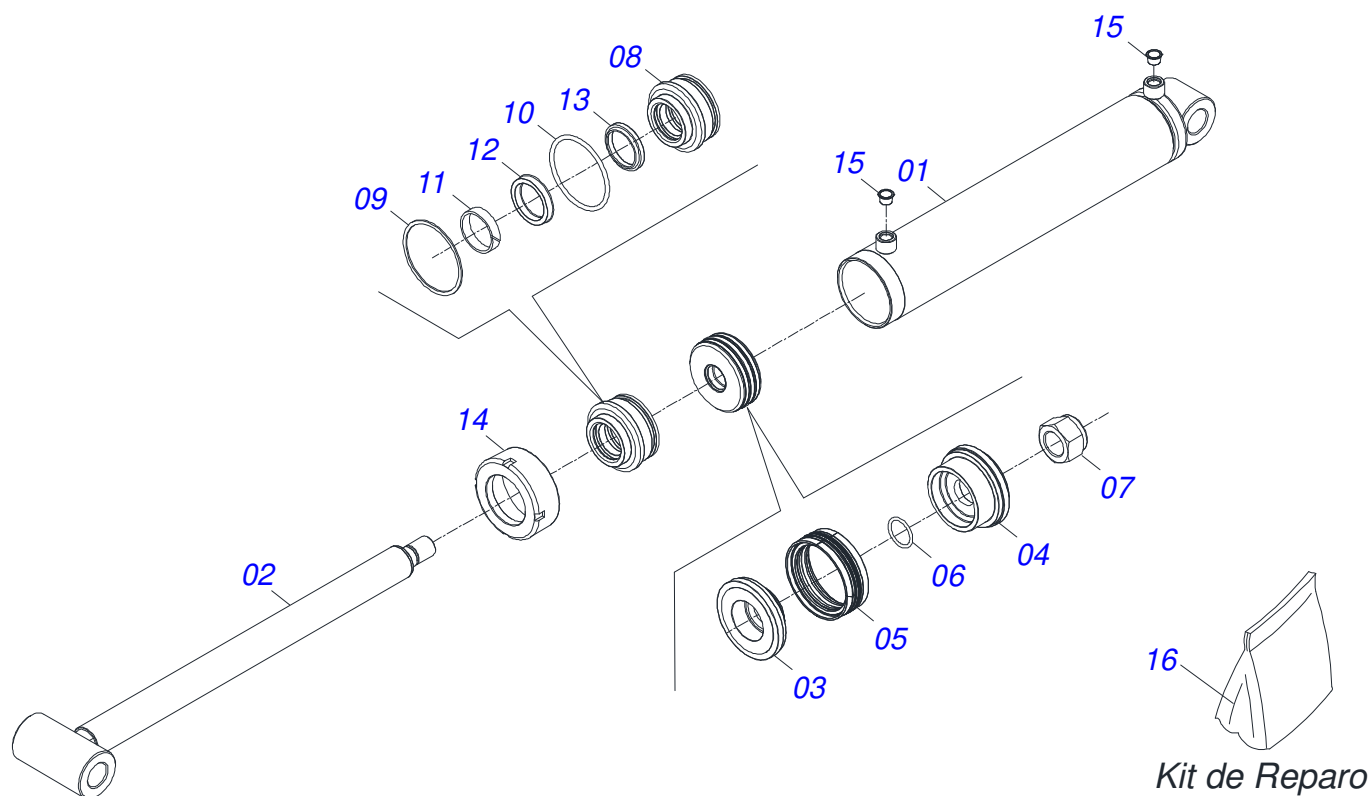
Item	Code	Description	See page	52	56	60
066	0501047895	ROD STOP		03	03	03
067	0501047896	1.18" ROD STOP		03	03	03
068	0501047897	1.38" ROD STOP		03	03	03
069	0501047898	1.57" ROD STOP		03	03	03
070	0501047917	1.96" ROD STOP		03	03	03
071	0501047924	ROD STOP		03	03	03
072	0511065925	REAR SCRAPER SUPPORT		27	29	31
073	0511065926	FRONT SCRAPER SUPPORT		26	28	30
074	0541013461	FRONT SCRAPER SHOVEL		26	28	30
075	0541013463	REAR SCRAPER SHOVEL		27	29	31
076	0503013842	5/8" UNC X 1-3/4" BOLT		106	114	122
077	0501012140	FLAT WASHER		212	228	244
078	0503010013	5/8" NUT		212	228	244
079	0503012195	5/8" NUT		106	114	122
080	0503010027	5/8" SPRING WASHER		212	228	244
081	0501056467	STUB SHAFT & HUB ASSY		04	04	04
081A	0502012260	TRANSPORT WHEEL BOX		04	04	04
081B	0503013270	3720 CAP		04	04	04
081C	0503013271	3780 CONE		04	04	04
081D	0503013266	2720 CAP		04	04	04
081E	0503013267	2780 CONE		04	04	04
081F	0503013314	RETAINER 5166-GB 63,5 X 110 X 13 ARCA		04	04	04
081G	0501010186	WHEEL SCREW 5/8UNF X 2.1/8CR		32	32	32
081H	0503010064	5/8 UNF CONIC NUT		32	32	32
081I	0541016566	POINT AXIS 3.1/2 X 375		04	04	04
081J	0511012492	FLAT WASHER		04	04	04
081K	0503030009	1" CASTLE NUT		04	04	04
081L	0503010018	5/32 X 1-1/2 COTTERPIN		04	04	04
081M	0502020591	PROTECCION COVER		04	04	04
081N	0503011444	SPRING WASHER		16	16	16
081O	0503010358	5/16" X 5/8" BOLT		16	16	16
081P	0503010002	1800 GREASE FITTING		04	04	04
082	0511048088	DRAWBAR JACK	4	01	01	01
083	0501052005	STABILIZER FOR GANG	5	01	01	01
084	0501069421	REAR HITCH GCRO		01	01	01
085	0541016679	7/8 UNF X 188,5 FASTENER		02	02	02
086	0503010558	7/8" NUT		04	04	04
087	0503010408	7/8" SPRING WASHER		04	04	04
088	0541016676	1.1/2 X 175 AXLE		04	04	04
089	0503013662	1/2" X 1" BOLT		04	04	04
090	0521010546	1.2" X 5.7" COUPLING SHAFT		02	02	02
091	0503010523	1/4" X 2" COTTERPIN		02	02	02
092	0501011432	1-1/2" AND 1-5/8 GANG BOLT WRENCH		01	01	01
093	0501011431	1-3/4" GANG BOLT WRENCH		02	02	02
094	0501061609	3/4" WRENCH CABLE CYLINDRICAL		01	01	01
095	0501062300	1-1/4" WRENCH CABLE CYLINDRICAL		01	01	01
096	0541015451	FIXED KEY 2.3/8 X 2.3/4		01	01	01
097	0501041102	1-1/4" X 3-3/4" ASSY BOLT		08	08	08
097A	0501015348	1-1/4" X 3-3/4" BOLT		08	08	08
097B	0501010953	1-1/4" SQUARE WASHER		08	08	08
097C	0531010713	FLAT WASHER		08	08	08
097D	0503010070	SPRING WASHER		08	08	08
097E	0501010087	1.1/4" NUT		08	08	08
098	0541011345	16 X 68 PLUGER		01	01	01
099	0503010002	1800 GREASE FITTING		65	65	65
100	0503010765	3/8" X 3" BOLT		02	02	02
101	0503010025	3/8" SPRING WASHER		02	02	02



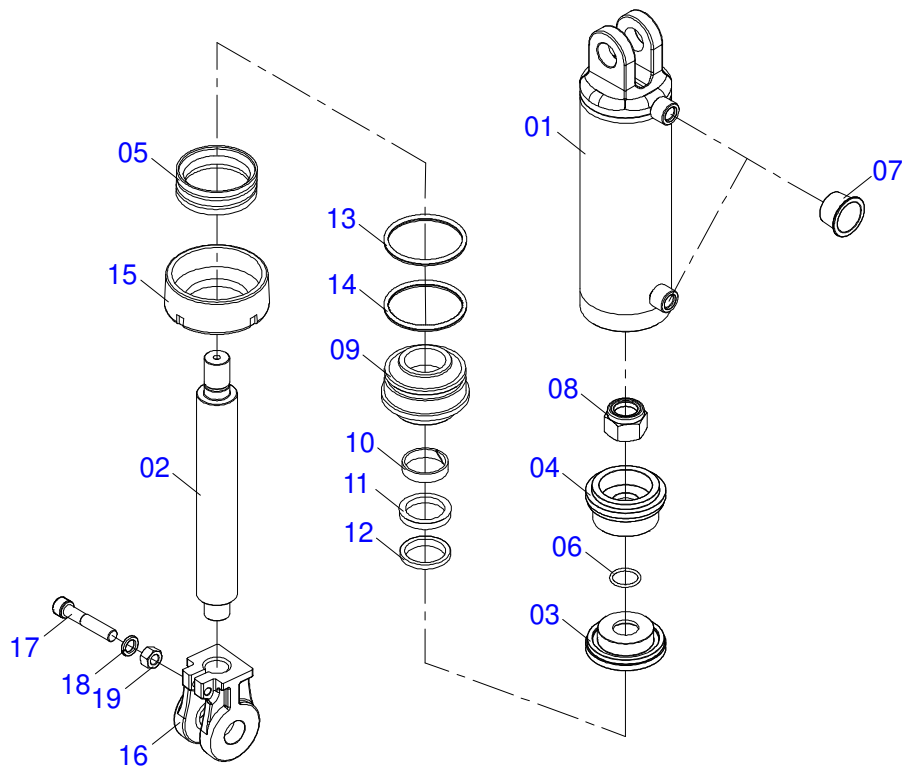
Item	Code	Description	See page	QT
01	0503062227	DRAWBAR JACK		01



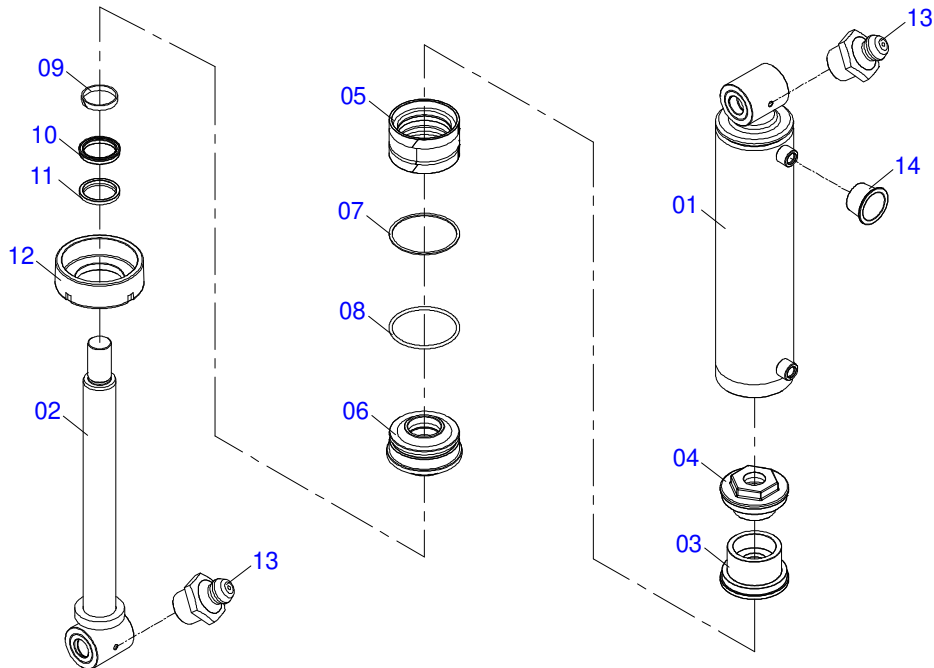
Item	Code	Description	See page	QT
01	0502011469	245 ADJUSTMENT NUT		01
02	0501069416	JACKET		01
03	0501069417	JACK CRANK		01
04	0503010002	1800 GREASE FITTING		04



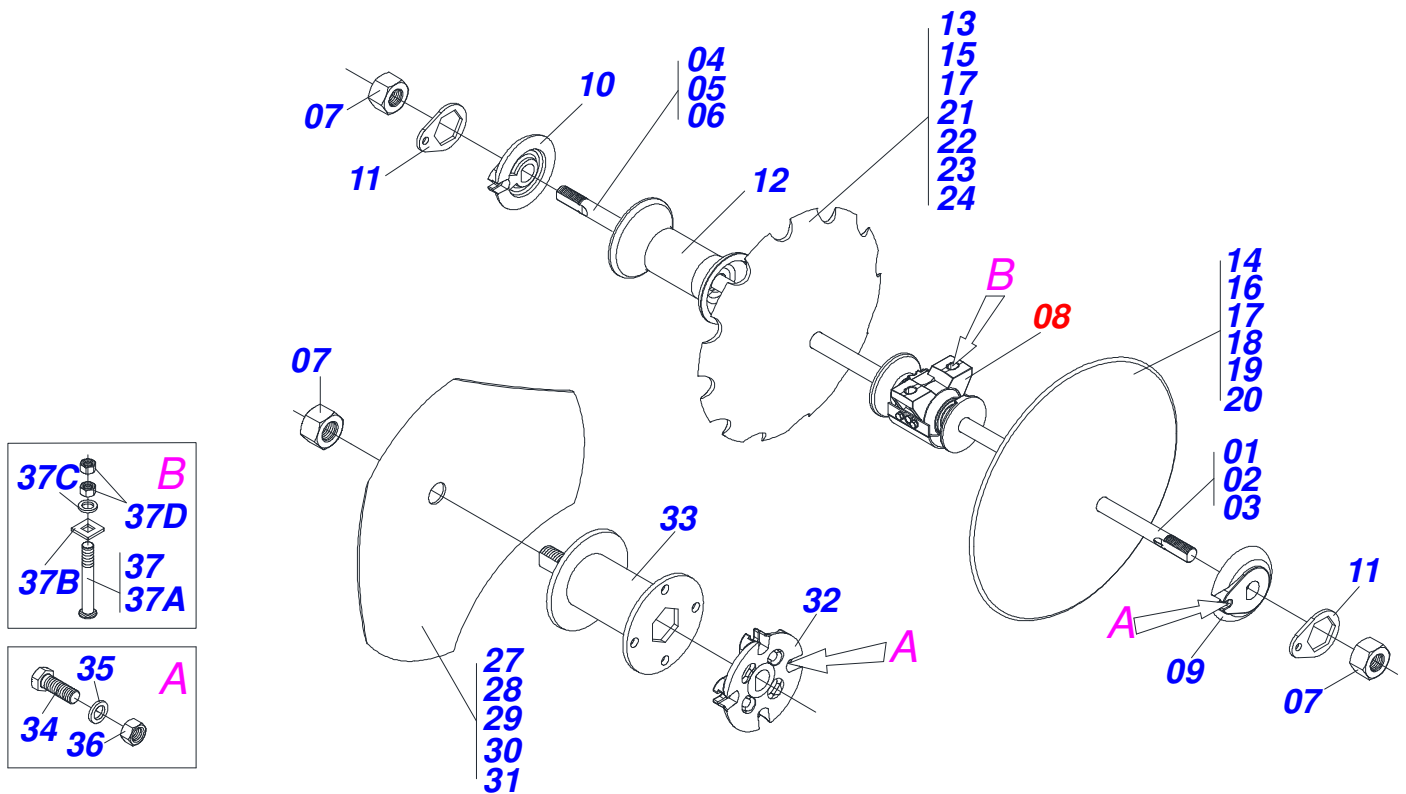
Item	Code	Description	See page	QT
01	0521061438	101,6 X 850,5 X 38,4 CYLINDER CASE		01
02	0521061439	50,80 X 751,50 X 38,40 TURNBUCKLE		01
03	0561016389	PISTON BODY		01
04	0561016387	PISTON BODY		01
05	0503015633	SELEMASTER SEALING		01
06	0503010345	2-218 N 3006-9B O'RING		01
07	0503010817	1.1/4" SELF LOCKING NUT		01
08	0502012642	SUPPORT OF THE RINGS		01
09	0503011061	8-342 BACK-UP RING		01
10	0503010338	2-342 N 3006-9B O'RING		01
11	0503015634	RING SLYDRING		01
12	0503015635	U-CUP SEAL		01
13	0503015636	SCRAPER SEAL		01
14	0502010017	4" HEAD		01
15	0503030384	CON PLUG N-001		02
16	0521041338	HYDRAULIC CYLINDER REPAIR KIT		01



Item	Code	Description	See page	QT
01	0511061336	101,6 X 398 CYLINDER CASE		01
02	0521010422	HYDRAULIC CYLINDER TURNBUCKLE		01
03	0561016389	PISTON BODY		01
04	0561016387	PISTON BODY		01
05	0503015633	SELEMASTER SEALING		01
06	0503010345	2-218 N 3006-9B O'RING		01
07	0503030384	CON PLUG N-001		02
08	0503010817	1.1/4" SELF LOCKING NUT		01
09	0502012642	SUPPORT OF THE RINGS		01
10	0503015634	RING SLYDRING		01
11	0503015635	U-CUP SEAL		01
12	0503015636	SCRAPER SEAL		01
13	0503010338	2-342 N 3006-9B O'RING		01
14	0503011061	8-342 BACK-UP RING		01
15	0502010017	4" HEAD		01
16	0502040747	32.54 CLEVIS CLAMP		01
17	0503011094	3/8" X 2" BOLT		01
18	0503011443	3/8" SPRING WASHER		01
19	0503010026	3/8" NUT		01
20	0501039361	HYDRAULIC CYLINDER REPAIR KIT		01

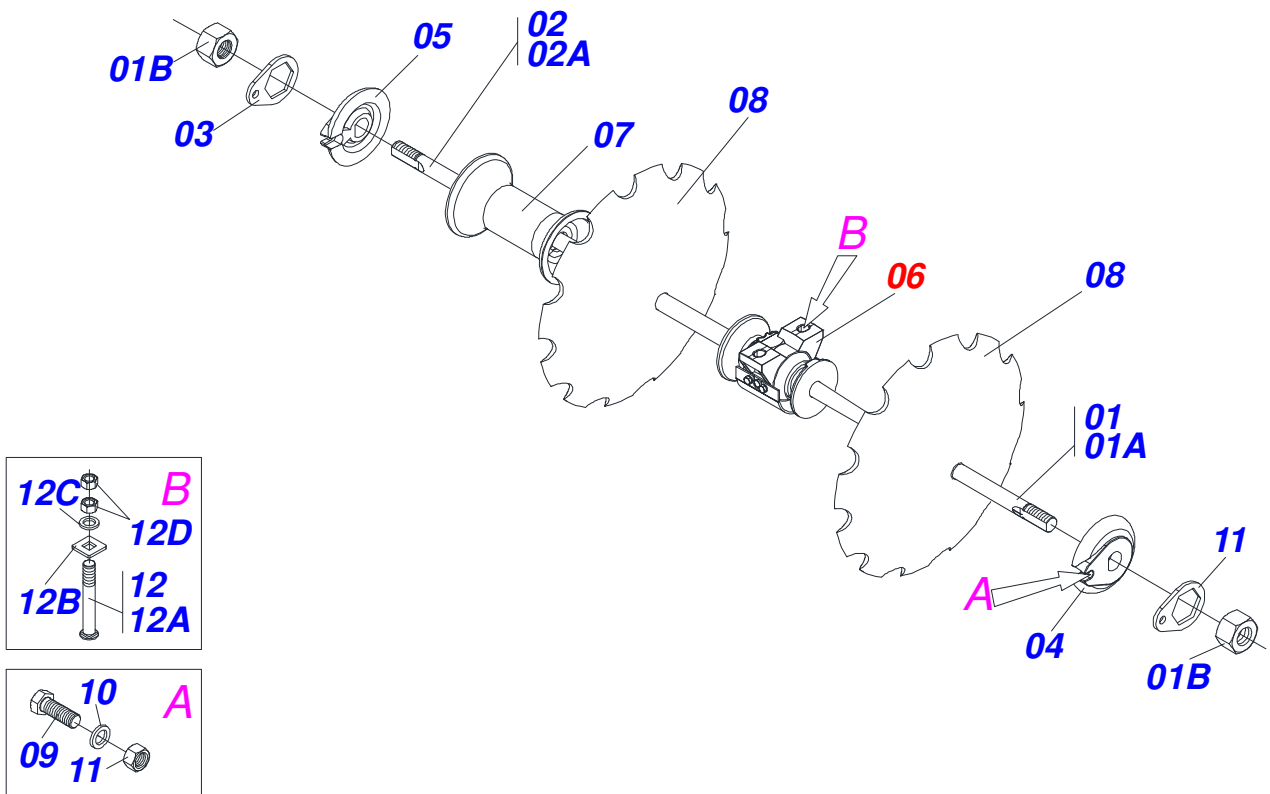


Item	Code	Description	See page	QT
01	0521061685	114,30 X 500 CYLINDER CASE		01
02	0521061684	56,98 X 590,50 TURNBUCKLE		01
03	0561016578	PISTON BODY		01
04	0502012643	PISTÓN BODY		01
05	0503015640	SEALING SELEMASTER		01
06	0502012644	RING SUPPORT		01
07	0503011893	BACK-UP RING, 8-346		01
08	0503011892	O' RING, 2-346 N 3006-9B		01
09	0503015641	WEAR RING		01
10	0503015642	U-CUP SEALING		01
11	0503015715	SCRAPER SEALING		01
12	0502011222	0.56" END CAP		01
13	0503010002	1800 GREASE FITTING		02
14	0503030384	CON PLUG N-001		02
15	0521041339	HYDRÁULIC CYLINDER REPAIR KIT		

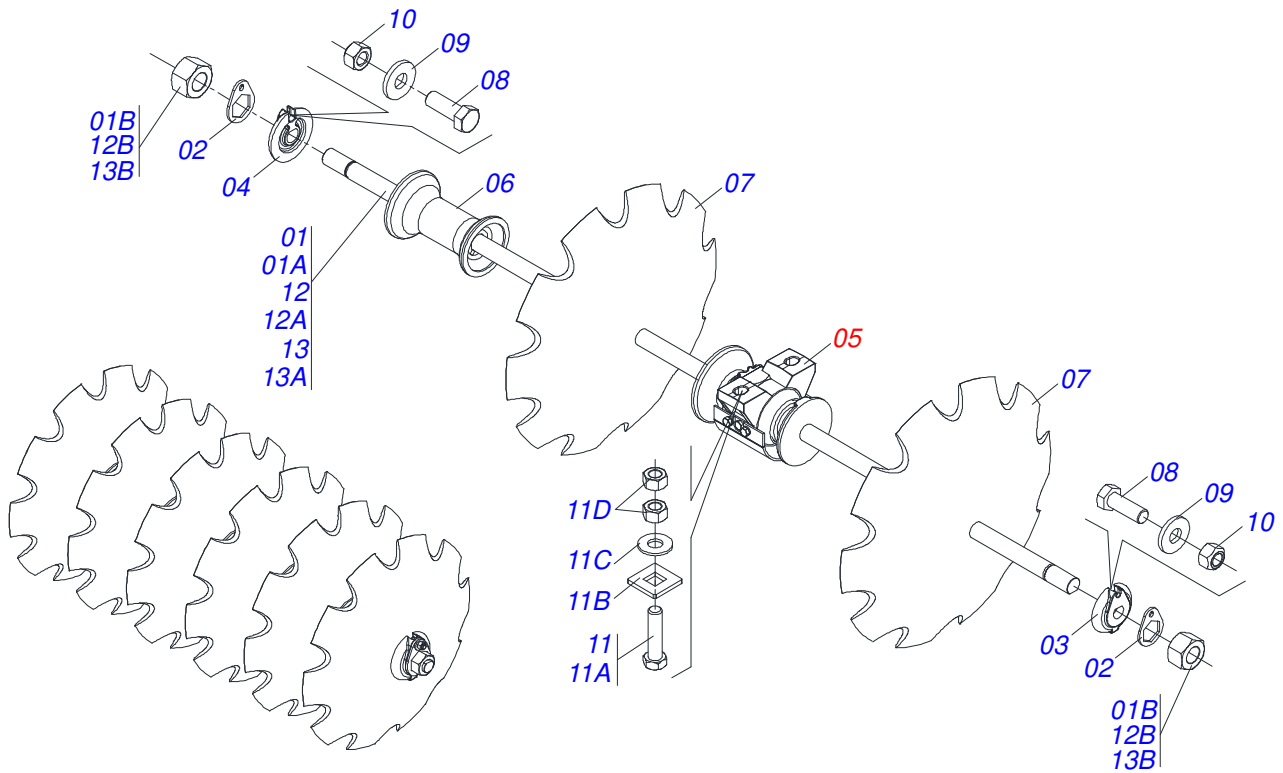


Item	Code	Description	See page	28	32	36	40LIS./REC.
01	0501046859	1-5/8" X 70" AXLE WITH NUTS 2-3/4"		04	00	00	04
02	0501046854	1-5/8" X 48" AXLE WITH NUTS 2-3/4"		00	04	00	00
03	0501046856	1-5/8" X 59" AXLE WITH NUTS 2-3/4"		00	02	06	02
04	0501015631	1-5/8" X 70" AXLE		04	00	00	04
05	0501019016	1-5/8 X 48" AXLE		00	04	00	00
06	0501019012	1-5/8" X 59" AXLE		00	02	06	02
07	0502040640	1.5/8" 2.3/4" NUT		08	12	12	12
08	0501048457	262MM X 1.5/8" RD OIL BATH BEARING	19	08	12	12	12
09	0502011047	1-5/8" INNER AXLE WASHER		04	06	08	06
10	0502011048	1-5/8" EXTERNAL AXLE WASHER		04	06	08	06
11	0511014339	1-5/8" 2.8" NUT LOCK		08	12	16	12
12	0502010703	10.35" 1-5/8" SPACER		16	14	18	22
13	0602037006	DR28X7,5 C102AF04FR1.11/16 10R TATU		14	16	18	38
14	0601039053	28"X 0,3" PLAIN DISC BLADE		12	14	16	18
15	0602040074	30 X 7,5 NOTCHED DISC BLADE		00	00	18	00
16	0601042040	30 X 0,3" PLAIN DISC BLADE		00	00	16	00
17	0602040133	30 X 0,3" NOTCHED DISC BLADE		00	14	00	00
18	0601042070	30 X 0,3" PLAIN DISC BLADE		00	16	00	00
19	0601033065	DL26X7,5 C90AF04FR1.11/16 TATU		01	01	00	00
20	0601030096	24 X 0,3" PLAIN DISC BLADE		01	01	00	00
21	0602029301	22" X 0,2" NOTCHED DISC BLADE		01	01	01	01
22	0602037242	28 X 02" NOTCHED DISC BLADE		00	01	00	00
23	0602033294	26 X 0,2" NOTCHED DISC BLADE		00	01	00	00
24	0602030359	24 X 0,2" NOTCHED DISC BLADE		00	01	00	00
25	0601039053	28"X 0,3" PLAIN DISC BLADE		00	00	01	00
26	0601033065	DL26X7,5 C90AF04FR1.11/16 TATU		00	00	01	00
27	0602030359	24 X 0,2" NOTCHED DISC BLADE		00	00	01	00
28	0602033005	26" X 0,2" NOTCHED DISC BLADE		00	29	01	01
29	0602030005	24" X 0,2" NOTCHED DISC BLADE		00	01	00	00
30	0602029238	22 X 0,2" NOTCHED DISC BLADE		00	01	00	00
31	0602027279	20" X 0,3" NOTCHED DISC BLADE		00	01	00	00

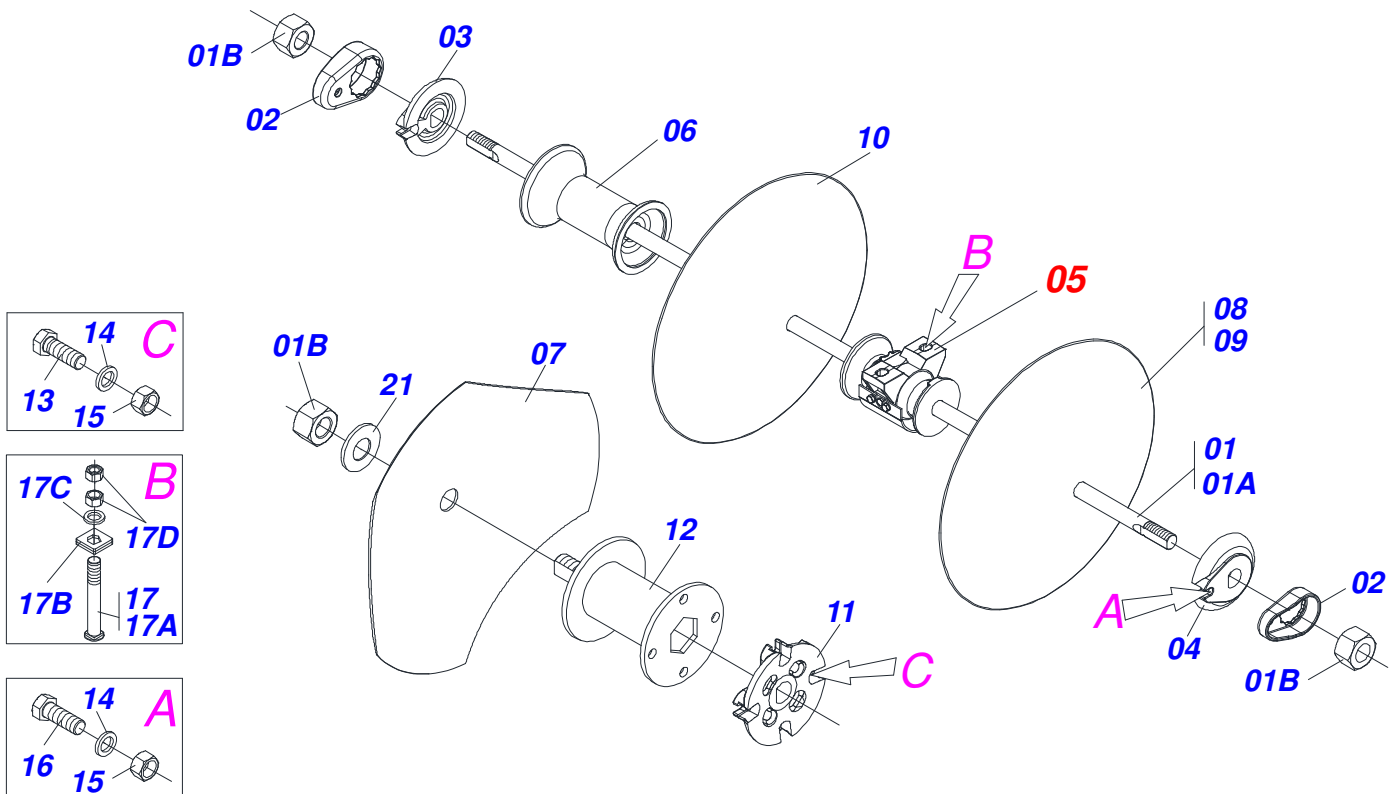
Item	Code	Description	See page	28	32	36	40	LIS./REC.
32	0502012377	1-5/8" EXTERNAL AXLE LOK		01	01	01	01	
33	0511067146	10.35" AXLE 1-5/8" SPACER		01	01	01	01	
34	0503010232	5/8" X 1.3/4" BOLT		24	36	36	36	
35	0503010027	5/8" SPRING WASHER		24	36	36	36	
36	0503012412	5/8 UNC SELF LOCKING NUT		24	36	36	36	
37	0501041925	3/4" X 3-1/2" BOLT ASSY		16	24	24	24	
37A	0501010950	3/4" X 3-1/2" BOLT		16	24	24	24	
37B	0501010949	3/4" SQUARE WASHER		16	24	24	24	
37C	0501010322	FLAT WASHER		16	24	24	24	
37D	0503010014	3/4" NUT		16	24	24	24	



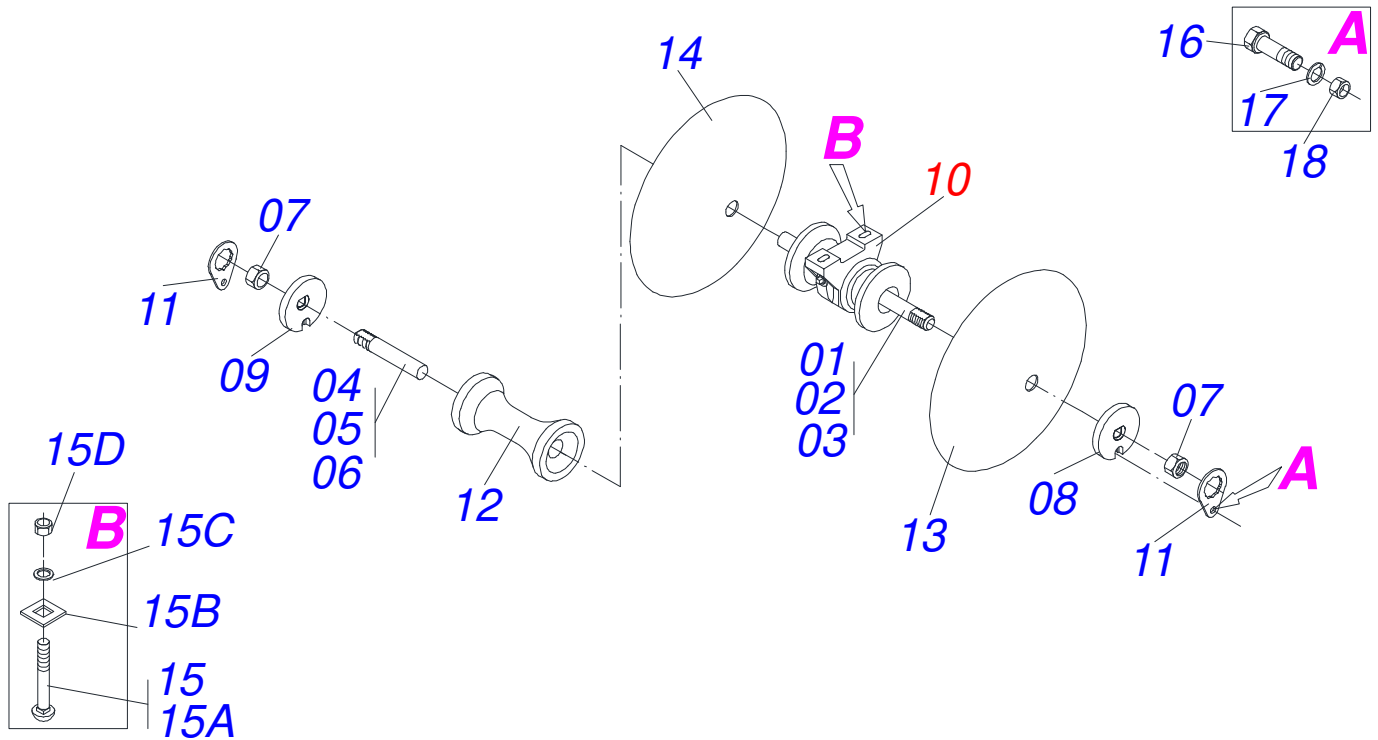
Item	Code	Description	See page	48
01	0501046856	1-5/8" X 59" AXLE WITH NUTS 2-3/4"		01
01A	0501015631	1-5/8" X 70" AXLE		01
01B	0502040640	1.5/8" 2.3/4" NUT		02
02	0501046859	1-5/8" X 70" AXLE WITH NUTS 2-3/4"		02
02A	0501019012	1-5/8" X 59" AXLE		01
03	0502012636	NUT LOCK		12
04	0502011048	1-5/8" EXTERNAL AXLE WASHER		06
05	0502011047	1-5/8" INNER AXLE WASHER		06
06	0501048457	262MM X 1.5/8" RD OIL BATH BEARING	19	12
07	0502010703	10.35" 1-5/8" SPACER		22
08	0602037006	DR28X7,5 C102AF04FR1.11/16 10R TATU		20
09	0503010232	5/8" X 1.3/4" BOLT		08
10	0503010027	5/8" SPRING WASHER		12
11	0503010013	5/8" NUT		12
12	0501041925	3/4" X 3-1/2" BOLT ASSY		32
12A	0501010950	3/4" X 3-1/2" BOLT		32
12B	0501010949	3/4" SQUARE WASHER		32
12C	0501010322	FLAT WASHER		32
12D	0503010014	3/4" NUT		64



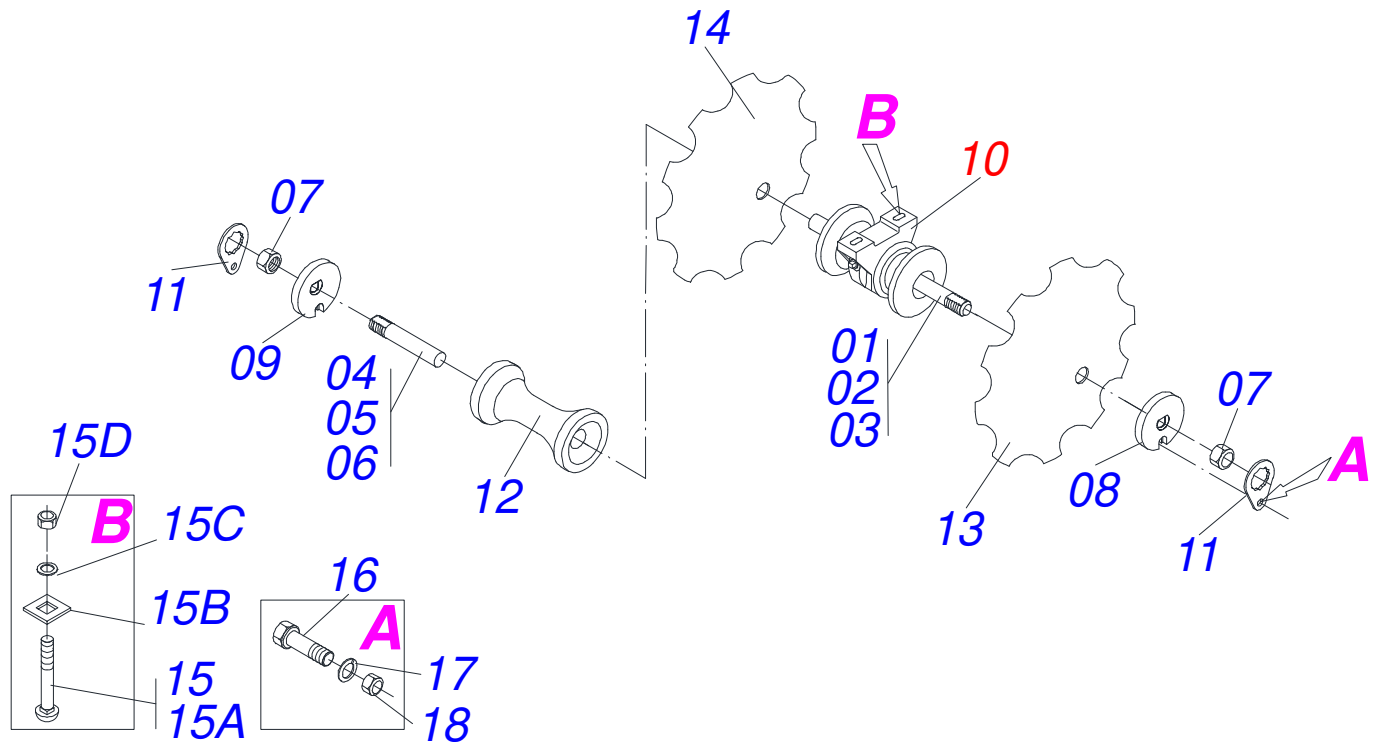
Item	Code	Description	See page	44	48
01	0501046859	1-5/8" X 70" AXLE WITH NUTS 2-3/4"		00	04
01A	0501015631	1-5/8" X 70" AXLE		00	04
01B	0502040640	1.5/8" 2.3/4" NUT		00	08
02	0511014339	1-5/8" 2.8" NUT LOCK		00	08
03	0502011048	1-5/8" EXTERNAL AXLE WASHER		04	04
04	0502011047	1-5/8" INNER AXLE WASHER		04	04
05	0501048457	262MM X 1.5/8" RD OIL BATH BEARING	19	08	08
06	0502010703	10.35" 1-5/8" SPACER		10	11
07	0602037006	DR28X7,5 C102AF04FR1.11/16 10R TATU		22	24
08	0503011267	BOLT 5/8 UNC X 1.1/2 C S G.5 ZN		08	08
09	0503010027	5/8" SPRING WASHER		08	08
10	0503010013	5/8" NUT		08	08
11	0501041925	3/4" X 3-1/2" BOLT ASSY		16	16
11A	0501010950	3/4" X 3-1/2" BOLT		16	16
11B	0501010949	3/4" SQUARE WASHER		16	16
11C	0501010322	FLAT WASHER		16	16
11D	0503010014	3/4" NUT		32	32
12	0501046854	1-5/8" X 48" AXLE WITH NUTS 2-3/4"		02	00
12A	0501019016	1-5/8 X 48" AXLE		02	00
12B	0502040640	1.5/8" 2.3/4" NUT		02	00
13	0501046856	1-5/8" X 59" AXLE WITH NUTS 2-3/4"		02	00
13A	0501019012	1-5/8" X 59" AXLE		02	00
13B	0502040640	1.5/8" 2.3/4" NUT		02	00



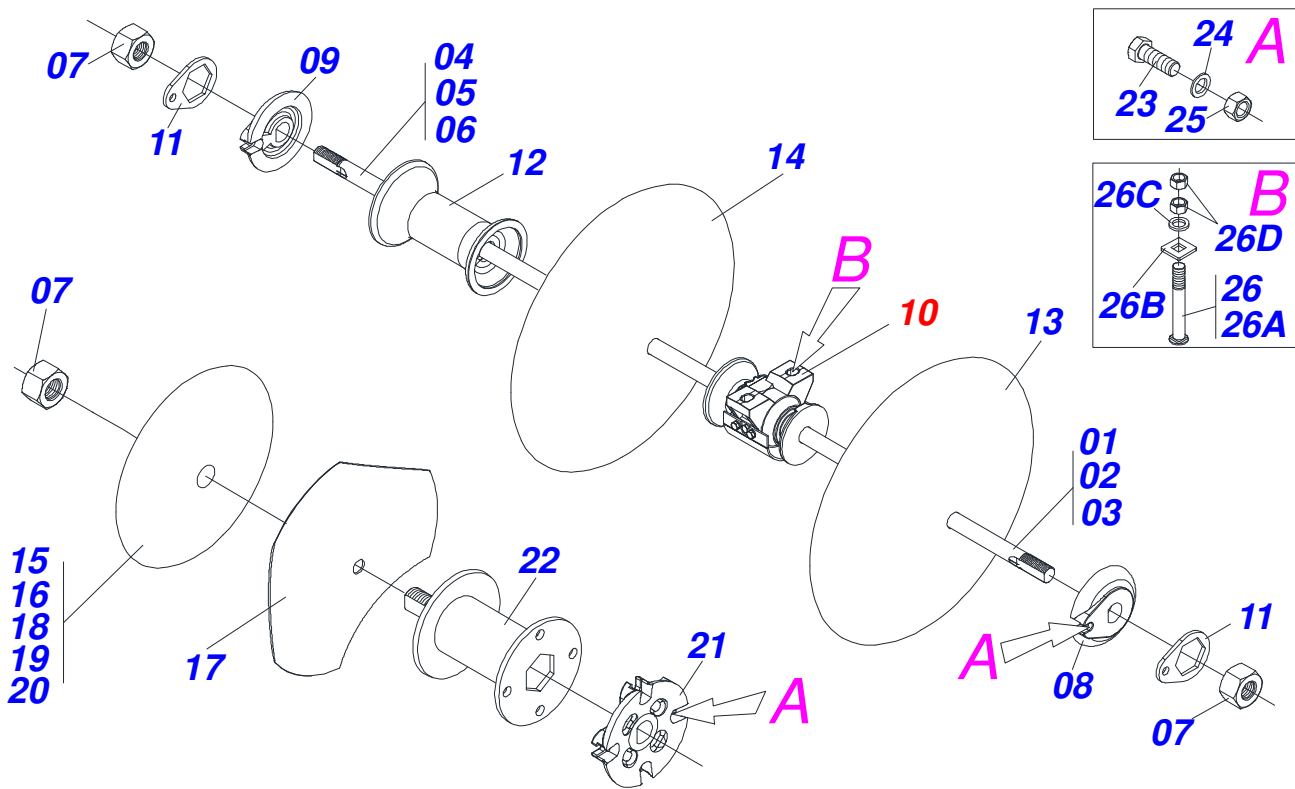
Item	Code	Description	See page	QT
01	0501046856	1-5/8" X 59" AXLE WITH NUTS 2-3/4		04
01A	0501019012	1-5/8" X 59" AXLE		04
01B	0502040640	1.5/8" 2.3/4" NUT		09
02	0511014339	1-5/8" 2.8" NUT LOCK		08
03	0502011048	1-5/8" EXTERNAL AXLE WASHER		04
04	0502011047	1-5/8" INNER AXLE WASHER		04
05	0501048457	262MM X 1.5/8" RD OIL BATH BEARING	19	08
06	0502010703	10.35" 1-5/8" SPACER		14
07	0602029301	22" X 0.2" NOTCHED DISC BLADE		01
08	0601030005	24" X 0.2" PLAIN DISC BLADE		01
09	0601033005	26" X 0.2" PLAIN DISC BLADE		01
10	0601039053	28" X 0.3" PLAIN DISC BLADE		24
11	0502012377	1-5/8" EXTERNAL AXLE LOK		01
12	0511067146	10.35" AXLE 1-5/8" SPACER		01
13	0503010232	5/8" X 1.3/4" BOLT		04
14	0503010027	5/8" SPRING WASHER		12
15	0503010013	5/8" NUT		12
16	0503011267	BOLT 5/8 UNC X 1.1/2 C S G.5 ZN		08
17	0501041925	3/4" X 3-1/2" BOLT ASSY		16
17A	0501010950	3/4" X 3-1/2" BOLT		16
17B	0501010949	3/4" SQUARE WASHER		16
17C	0501010322	FLAT WASHER		16
17D	0503010014	3/4" NUT		32



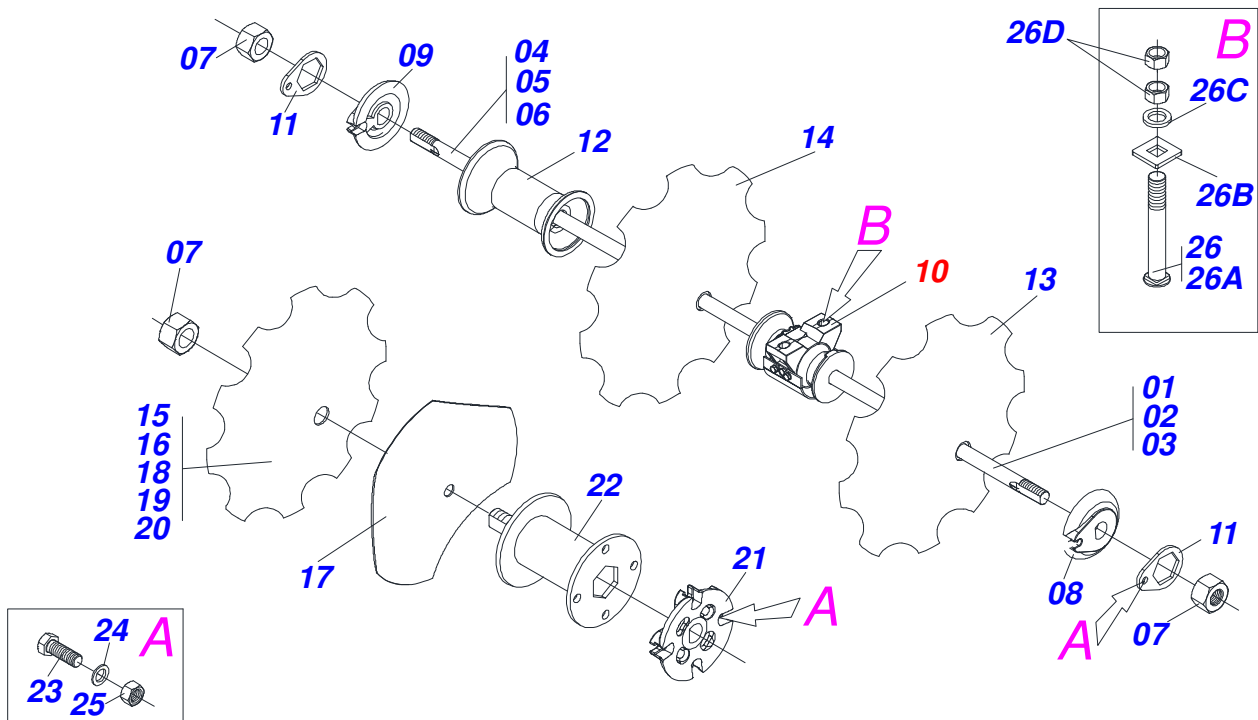
Item	Code	Description	See page
00	0909090584	FRONT GANG DISC 52 TO 60	13 00 00 00
01	0501046859	1-5/8" X 70" AXLE WITH NUTS 2-3/4"	02 04 02
02	0501046856	1-5/8" X 59" AXLE WITH NUTS 2-3/4"	02
03	0501046861	1-5/8" X 80" AXLE WITH NUTS 2-3/4"	02
04	0501015631	1-5/8" X 70" AXLE	02 04 02
05	0501019012	1-5/8" X 59" AXLE	02
06	0501019015	1-5/8 X 80" AXLE	02
07	0502040640	1.5/8" 2.3/4" NUT	08 08 08
08	0502011047	1-5/8" INNER AXLE WASHER	04 04 04
09	0502011048	1-5/8" EXTERNAL AXLE WASHER	04 04 04
10	0501048457	262MM X 1.5/8" RD OIL BATH BEARING	19 08 08 08
11	0511014339	1-5/8" 2.8" NUT LOCK	08 08 08
12	0502010703	10.35" 1-5/8" SPACER	14 16 18
13	0601039053	28"X 0.3" PLAIN DISC BLADE	23 25 27
14	0601042070	30 X 0,3" PLAIN DISC BLADE	23 25 27
15	0501041925	3/4" X 3-1/2" BOLT ASSY	16 16 16
15A	0501010950	3/4" X 3-1/2" BOLT	16 16 16
15B	0501010949	3/4" SQUARE WASHER	16 16 16
15C	0501010322	FLAT WASHER	16 16 16
15D	0503010014	3/4" NUT	16 16 16
16	0503011267	BOLT 5/8 UNC X 1.1/2 C S G.5 ZN	16 16 16
17	0503010027	5/8" SPRING WASHER	16 16 16
18	0503012412	5/8 UNC SELF LOCKING NUT	16 16 16



Item	Code	Description	See page
00	0909090585	FRONT GANG DISC 52 TO 60	14
01	0501046859	1-5/8" X 70" AXLE WITH NUTS 2-3/4"	02 04 02
02	0501046856	1-5/8" X 59" AXLE WITH NUTS 2-3/4"	02
03	0501046861	1-5/8" X 80" AXLE WITH NUTS 2-3/4"	00 00 02
04	0501015631	1-5/8" X 70" AXLE	02 04 02
05	0501019012	1-5/8" X 59" AXLE	02
06	0501019015	1-5/8 X 80" AXLE	00 00 02
07	0502040640	1.5/8" 2.3/4" NUT	08 08 08
08	0502011047	1-5/8" INNER AXLE WASHER	04 04 04
09	0502011048	1-5/8" EXTERNAL AXLE WASHER	04 04 04
10	0501048457	262MM X 1.5/8" RD OIL BATH BEARING	19
11	0511014339	1-5/8" 2.8" NUT LOCK	08 08 08
12	0502010703	10.35" 1-5/8" SPACER	14 16 18
13	0602037006	DR28X7,5 C102AF04FR1.11/16 10R TATU	23 25 27
14	0602040133	30 X 0,3" NOTCHED DISC BLADE	23 25 27
15	0501041925	3/4" X 3-1/2" BOLT ASSY	16 16 16
15A	0501010950	3/4" X 3-1/2" BOLT	16 16 16
15B	0501010949	3/4" SQUARE WASHER	16 16 16
15C	0501010322	FLAT WASHER	16 16 16
15D	0503010014	3/4" NUT	16 16 16
16	0503011267	BOLT 5/8 UNC X 1.1/2 C S G.5 ZN	16 16 16
17	0503010027	5/8" SPRING WASHER	16 16 16
18	0503012412	5/8 UNC SELF LOCKING NUT	16 16 16

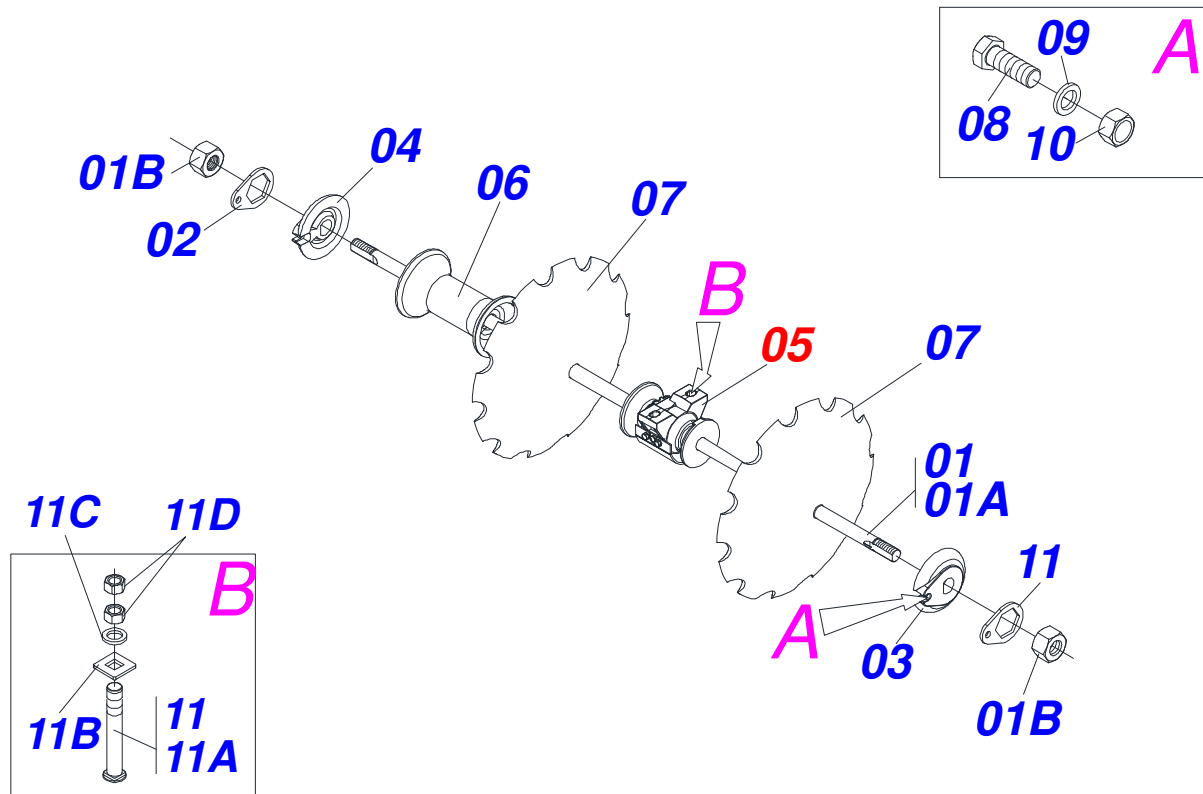


Item	Code	Description	See page
00	0909090586	REAR GANG DISC 52 TO 60	15
01	0501046859	1-5/8" X 70" AXLE WITH NUTS 2-3/4"	02 04 02
02	0501046856	1-5/8" X 59" AXLE WITH NUTS 2-3/4"	02 00 00
03	0501046861	1-5/8" X 80" AXLE WITH NUTS 2-3/4"	00 00 02
04	0501015631	1-5/8" X 70" AXLE	02 04 02
05	0501019012	1-5/8" X 59" AXLE	02 00 00
06	0501019015	1-5/8 X 80" AXLE	00 00 02
07	0502040640	1.5/8" 2.3/4" NUT	08 08 08
08	0502011047	1-5/8" INNER AXLE WASHER	04 04 04
09	0502011048	1-5/8" EXTERNAL AXLE WASHER	04 04 04
10	0501048457	262MM X 1.5/8" RD OIL BATH BEARING	19 08 08 08
11	0511014339	1-5/8" 2.8" NUT LOCK	08 08 08
12	0502010703	10.35" 1-5/8" SPACER	14 16 18
13	0601039053	28"X 0.3" PLAIN DISC BLADE	23 25 27
14	0601042070	30 X 0,3" PLAIN DISC BLADE	23 25 27
15	0601033005	26" X 0.2" PLAIN DISC BLADE	01 01 01
16	0601030005	24" X 0.2" PLAIN DISC BLADE	01 01 01
17	0602029301	22" X 0.2" NOTCHED DISC BLADE	01 01 01
18	0601039166	28" X 0,2" PLAIN DISC BLADE	01 01 01
19	0601034098	26" X 0,2" PAIN DISC BLADE	01 01 01
20	0601031032	24" X 0,2" PLAIN DISC BLADE	01 01 01
21	0502012377	1-5/8" EXTERNAL AXLE LOK	01 01 01
22	0511067146	10.35" AXLE 1-5/8" SPACER	01 01 01
23	0503010232	5/8" X 1.3/4" BOLT	12 12 12
24	0503010027	5/8" SPRING WASHER	12 12 12
25	0503012412	5/8 UNC SELF LOCKING NUT	12 12 12
26	0501041925	3/4" X 3-1/2" BOLT ASSY	16 16 16
26A	0501010950	3/4" X 3-1/2" BOLT	16 16 16
26B	0501010949	3/4" SQUARE WASHER	16 16 16
26C	0501010322	FLAT WASHER	16 16 16
26D	0503010014	3/4" NUT	16 16 16

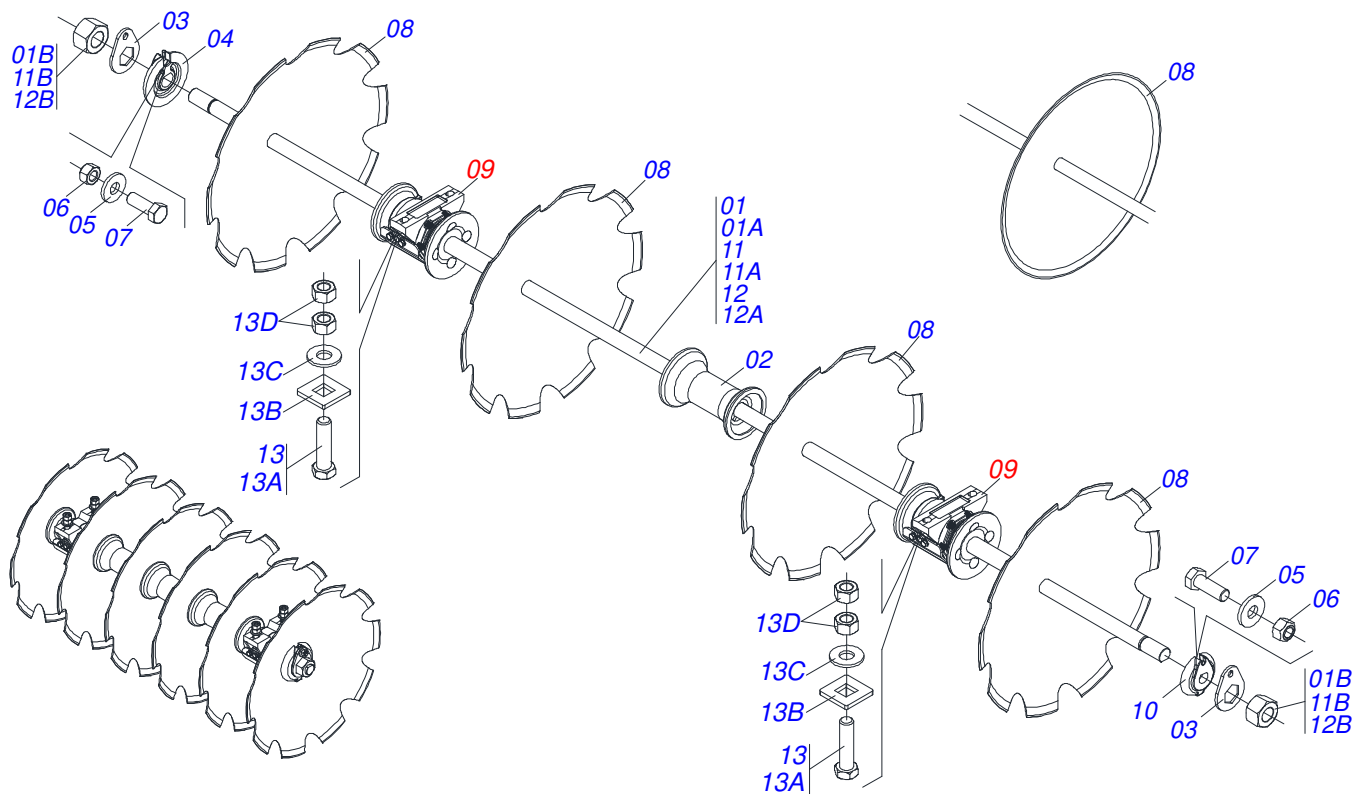


Item	Code	Description	See page
00	0909090587	REAR GANG DISC 52 TO 60	16
01	0501046859	1-5/8" X 70" AXLE WITH NUTS 2-3/4"	02 04 02
02	0501046856	1-5/8" X 59" AXLE WITH NUTS 2-3/4"	02 00 00
03	0501046861	1-5/8" X 80" AXLE WITH NUTS 2-3/4"	00 00 02
04	0501015631	1-5/8" X 70" AXLE	02 04 02
05	0501019012	1-5/8" X 59" AXLE	02 00 00
06	0501019015	1-5/8 X 80" AXLE	00 00 02
07	0502040640	1.5/8" 2.3/4" NUT	08 08 08
08	0502011047	1-5/8" INNER AXLE WASHER	04 04 04
09	0502011048	1-5/8" EXTERNAL AXLE WASHER	04 04 04
10	0501048457	262MM X 1.5/8" RD OIL BATH BEARING	19
11	0511014339	1-5/8" 2.8" NUT LOCK	08 08 08
12	0502010703	10.35" 1-5/8" SPACER	14 16 18
13	0602040133	30 X 0,3" NOTCHED DISC BLADE	23 25 27
13.	0602040074	30 X 7,5 NOTCHED DISC BLADE	23 25 27
14	0602037006	DR28X7,5 C102AF04FR1.11/16 10R TATU	23 25 27
15	0602037242	28 X 02" NOTCHED DISC BLADE	01 01 01
16	0602033294	26 X 0,2" NOTCHED DISC BLADE	01 01 01
17	0602030359	24 X 0,2" NOTCHED DISC BLADE	01 01 01
17.	0602033267	26" X 6 NOTCHED DISC	01 01 01
18	0602033067	26" X 7.5 NOTCHED DISC BLADE	01 01 01
19	0602030236	24" X 7,5 NOTCHED DISC BLADE	01 01 01
20	0602029301	22" X 0.2" NOTCHED DISC BLADE	01 01 01
21	0502012377	1-5/8" EXTERNAL AXLE LOK	01 01 01
22	0511067146	10.35" AXLE 1-5/8" SPACER	01 01 01
23	0503010232	5/8" X 1.3/4" BOLT	12 12 12
24	0503010027	5/8" SPRING WASHER	12 12 12
25	0503012412	5/8 UNC SELF LOCKING NUT	12 12 12
26	0501041925	3/4" X 3-1/2" BOLT ASSY	16 16 16
26A	0501010950	3/4" X 3-1/2" BOLT	16 16 16
26B	0501010949	3/4" SQUARE WASHER	16 16 16

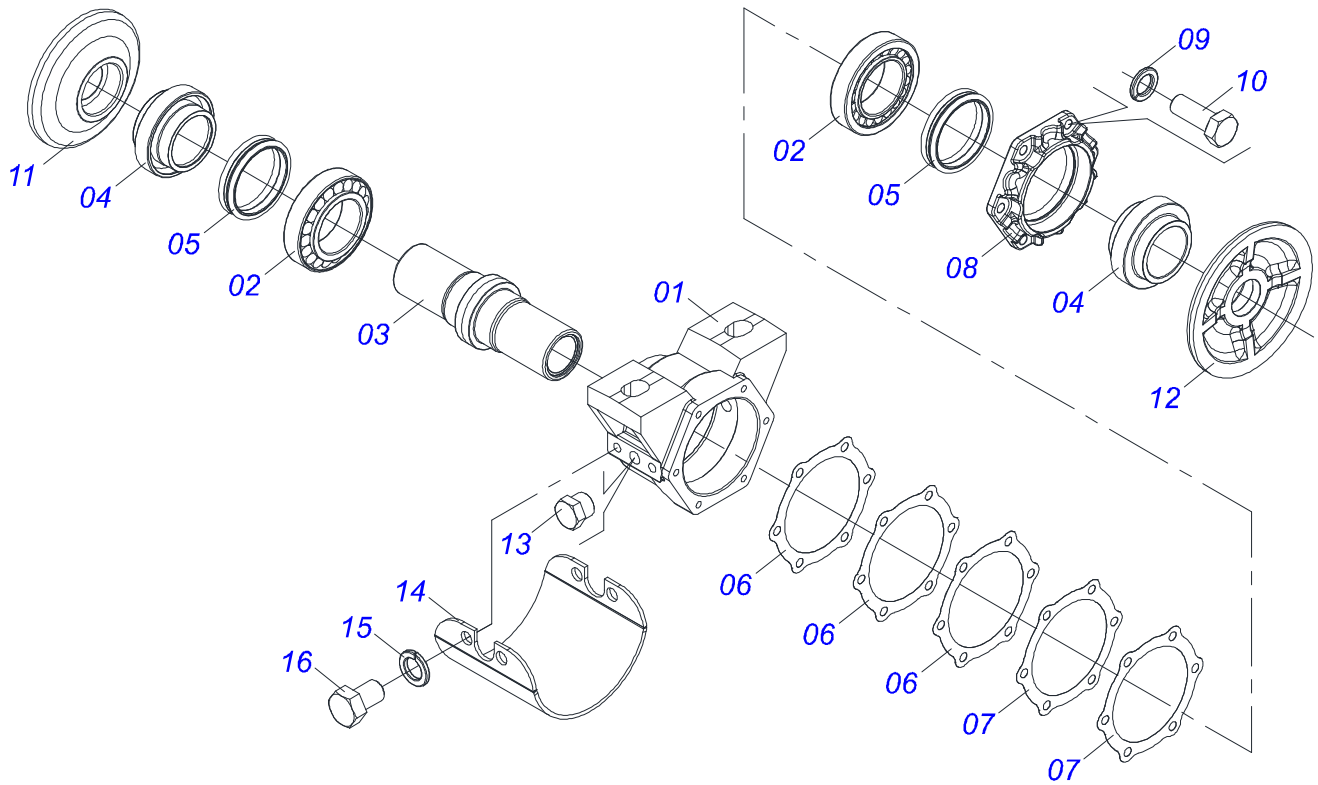
Item	Code	Description	See page
26C	0501010322	FLAT WASHER	16 16 16
26D	0503010014	3/4" NUT	16 16 16



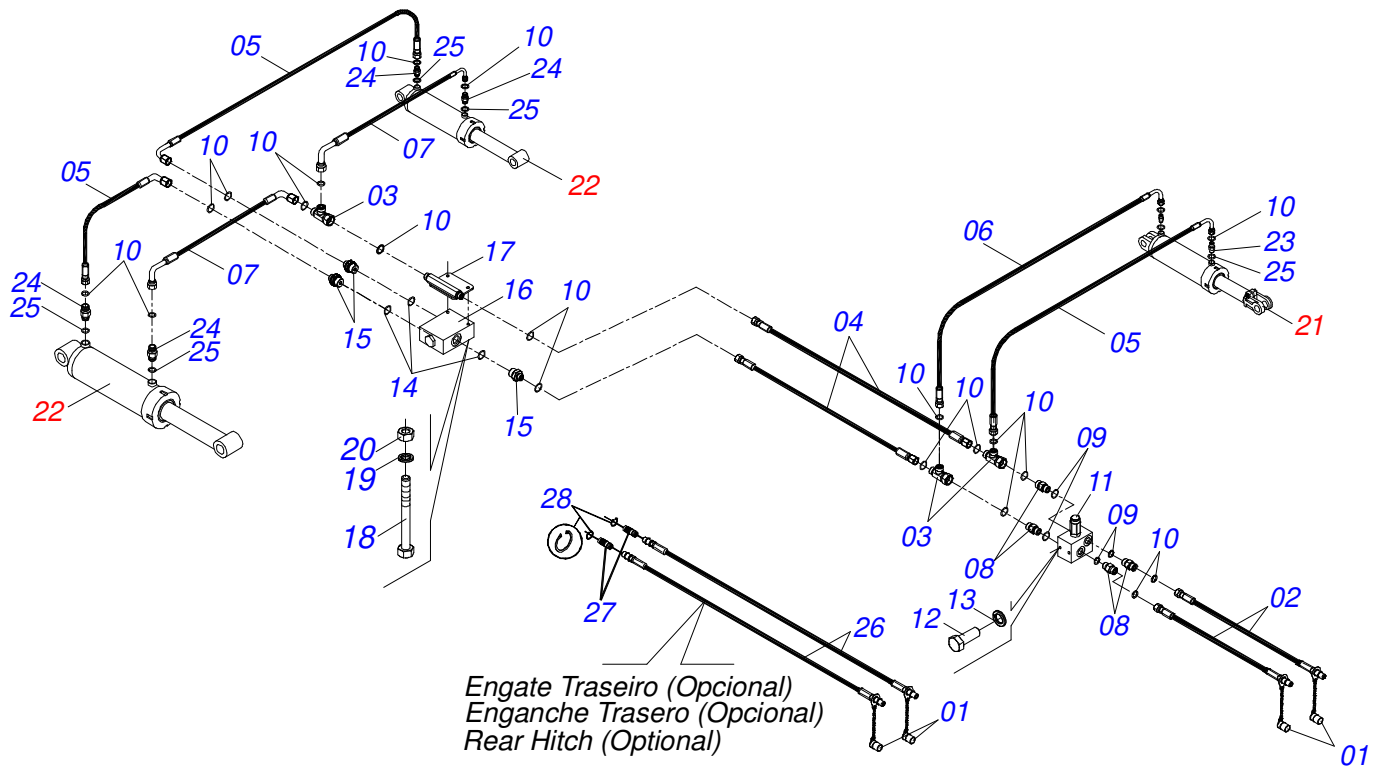
Item	Code	Description	See page	QT 56 60
01	0501046859	1-5/8" X 70" AXLE WITH NUTS 2-3/4"		02 04
01A	0501015631	1-5/8" X 70" AXLE		02 04
01B	0502040640	1.5/8" 2.3/4" NUT		04 08
02	0502012636	NUT LOCK		04 08
03	0502011048	1-5/8" EXTERNAL AXLE WASHER		02 04
04	0502011047	1-5/8" INNER AXLE WASHER		02 04
05	0501048457	262MM X 1.5/8" RD OIL BATH BEARING	19	08 08
06	0502010703	10.35" 1-5/8" SPACER		14 18
07	0602037006	DR28X7,5 C102AF04FR1.11/16 10R TATU		26 30
08	0503011267	BOLT 5/8 UNC X 1.1/2 C S G.5 ZN		04 08
09	0503010027	5/8" SPRING WASHER		04 08
10	0503010013	5/8" NUT		04 08
11	0501041925	3/4" X 3-1/2" BOLT ASSY		16 16
11A	0501010950	3/4" X 3-1/2" BOLT		16 16
11B	0501010949	3/4" SQUARE WASHER		16 16
11C	0501010322	FLAT WASHER		16 16
11D	0503010014	3/4" NUT		32 32



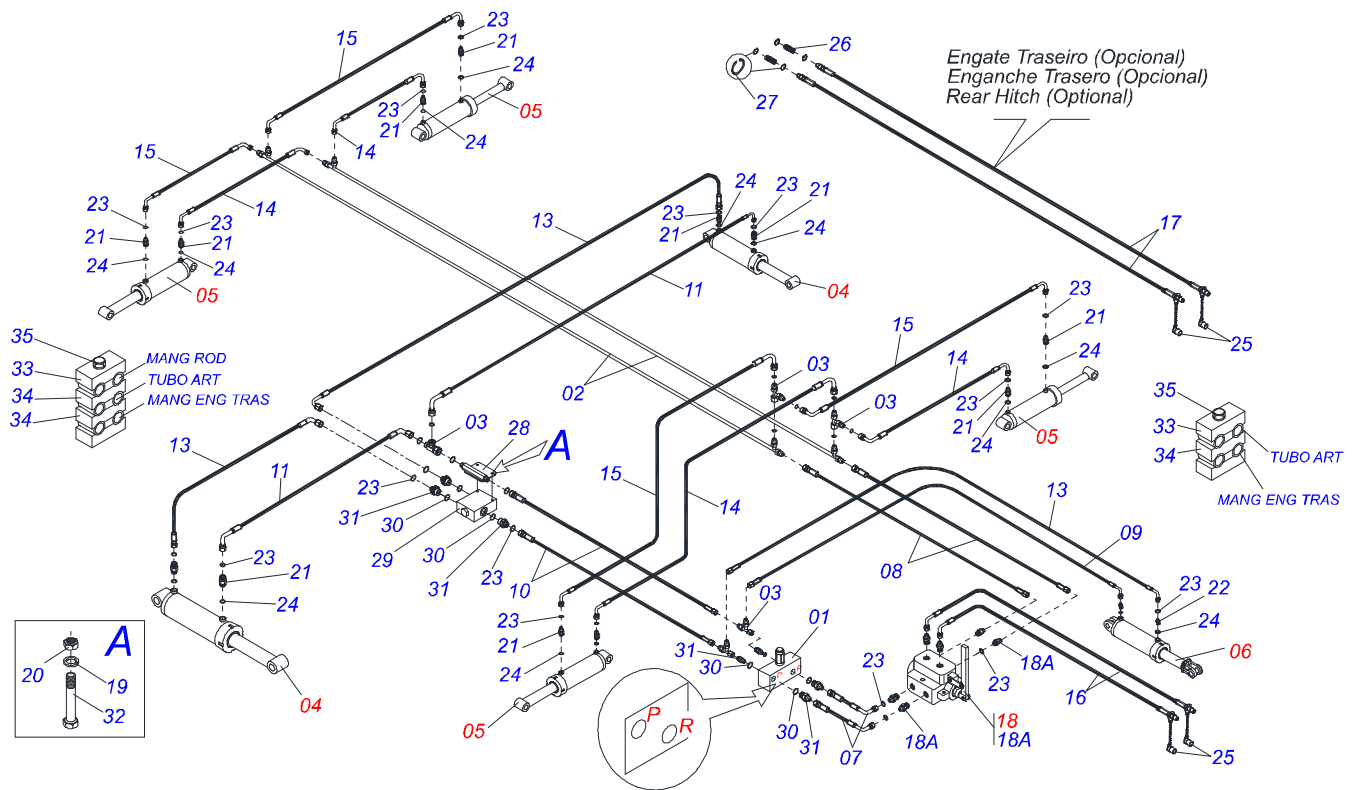
Item	Code	Description	See page	052	056	060
01	0501046856	1-5/8" X 59" AXLE WITH NUTS 2-3/4		001	000	000
01A	0501019012	1-5/8" X 59" AXLE		001	000	000
01B	0502840640	1.5/8" 2.3/4" NUT		002	000	000
02	0502010703	10.35" 1-5/8" SPACER		003	004	005
03	0511014339	1-5/8" 2.8" NUT LOCK		002	002	002
04	0502011048	1-5/8" EXTERNAL AXLE WASHER		001	001	001
05	0501012140	FLAT WASHER		002	002	002
06	0503012412	5/8 UNC SELF LOCKING NUT		002	002	002
07	0503010232	5/8" X 1.3/4" BOLT		002	002	002
08	0602040155	30 X 7,5 NOTCHED DISC BLADE		006	007	008
08.	0602037006	DR28X7,5 C102AF04FR1.11/16 10R TATU		006	007	008
08..	0601039053	28"X 0.3" PLAIN DISC BLADE		006	007	008
09	0511048366	OSCILLATING BEARING ASSY		002	002	002
10	0502011047	1-5/8" INNER AXLE WASHER		001	001	001
11	0501046859	1-5/8" X 70" AXLE WITH NUTS 2-3/4"		000	001	000
11A	0501015631	1-5/8" X 70" AXLE		000	001	000
11B	0502040640	1.5/8" 2.3/4" NUT		000	002	000
12	0501046861	1-5/8" X 80" AXLE WITH NUTS 2-3/4"		000	000	001
12A	0501019015	1-5/8 X 80" AXLE		000	000	001
12B	0502040640	1.5/8" 2.3/4" NUT		000	000	002
13	0501041925	3/4" X 3-1/2" BOLT ASSY		004	004	004
13A	0501010950	3/4" X 3-1/2" BOLT		004	004	004
13B	0501010949	3/4" SQUARE WASHER		004	004	004
13C	0501010322	FLAT WASHER		008	008	008
13D	0503010014	3/4" NUT		032	032	032



Item	Code	Description	See page	QT
01	0502020636	8.8" X 1-5/8" OIL HOUSING BEARING		01
02	0503013496	3982/3920 ROLLER BEARING		02
03	0502010740	AXLE TK		01
04	0502010736	SEAL RETAINER		02
05	0503030027	DUO-CONE SEAL		02
06	0503030030	5.6" X 4.4" X 0.01" GASKET		03
07	0503030685	5.5" X 4.4" X 0.003" GASKET		02
08	0502020161	WEAR PLATE BEARING		01
09	0503011443	3/8" SPRING WASHER		06
10	0503010237	3/8" X 1" BOLT		06
11	0502040240	INNER FLANGE		01
12	0502040239	OUTER FLANGE		01
13	0503010856	OIL PLUG		02
14	0521012933	BEARING WEAR PLATE		01
15	0503010019	1/2" SPRING WASHER		04
16	0503011401	1/2" X 3/4" BOLT		04



Item	Code	Description	See page	QT
01	0501053834	MALE QUICK COUPLER		02
02	0501080917	1/2" X 5500 TR-TM HOSE ASSY		02
03	0503013637	T 1/2" MALE ADAPTER		03
04	0501081708	1/2" X 2300 TR-TR OFS HOSE		02
05	0501081115	1/2" X 1330 TC-TR HOSE ASSY		03
06	0501081707	1/2" X 1000 TC-TR OFS HOSE		01
07	0501081116	1/2 X 1630 TC-TC HOSE ASSY		02
08	0503030923	3/4" UNF X 13/16UN OFS X 40 NIPPLE		04
09	0503010190	2-114 N 3006-9B O'RING		06
10	0503011030	2-014 N 3006-9B O'RING		21
11	0503010919	DISCHARGE VALVE		01
12	0503010237	3/8" X 1" BOLT		02
13	0503010025	3/8" SPRING WASHER		02
14	0503011109	2-119 N 3006-9B O'RING		02
15	0571010736	NIPPLE R1.1/16 UN X 13/16UN OFS		03
16	0503016227	FLOW DIVIDING VALVE		01
17	0521062967	OIL TUBE DISTRIBUTOR		01
18	0503011053	5/16" X 3" C S 6.5 ZN BOLT		02
19	0503010179	LOCK WASHER		02
20	0503010337	5/16" NUT		02
21	0511058419	HYDRAULIC CYLINDER 50,80 X 101,60 X 514 X 206		01
22	0521051832	HYDRAULIC CYLINDER 53,98 X 114,30 X 654 X 346		02
23	0503032031	3/4" UNF REDUCTION NIPPLE		02
24	0503030923	3/4" UNF X 13/16UN OFS X 40 NIPPLE		04
25	0503010190	2-114 N 3006-9B O'RING		06
26	0501081766	1/2 X 9600 TM-TM HOSE ASSY		02
27	0503010217	501040 CLAMPING RING (FOR AXLE)		04
28	0501053835	FEMALE QUICK COUPLER		02



Item	Code	Description	See page	QT
01	0501055696	DISCHARGE VALVE OFS ASSY		04
02	0521061048	3430 OIL TUBE		02
03	0503013637	T 1/2" MALE ADAPTER		08
04	0521051832	HYDRAULIC CYLINDER 53,98 X 114,30 X 654 X 346		02
05	0511048618	101,6 X 810 HYDRAULIC CYLINDER	6	04
06	0511048617	HYDRAULIC CYLINDER	7	01
07	0501080549	1/2" X 450 TR-TC OFS HOSE		02
08	0501080537	1/2" X 600 TR-TR OFS HOSE		04
09	0501080970	1/2" X 23.6" TR-TC OFS HOSE		02
10	0501081088	1/2 X 650 TR-TM HOSE ASSY		02
11	0501081116	1/2 X 1630 TC-TC HOSE ASSY		02
12	0501081135	1/2" X 2850 TR-TC HOSE ASSY		01
13	0501081115	1/2" X 1330 TC-TR HOSE ASSY		02
14	0501081533	1/2 X 2350 HOSE ASSY		04
15	0501081532	2950 TC-TC HOSE ASSY		04
16	0501081534	5300 TC-TM HOSE ASSY		02
17	0501081766	1/2 X 9600 TM-TM HOSE ASSY		02
18	0511043139	VALVE ASSY		01
18A	0503013319	VALVE ASSY		01
18B	0503032098	13/16" NIPPLE		06
19	0503010179	LOCK WASHER		02
20	0503010337	5/16" NUT		02
21	0503030923	3/4" UNF X 13/16UN OFS X 40 NIPPLE		12
22	0503032031	3/4" UNF REDUCTION NIPPLE		02
23	0503010190	2-114 N 3006-9B O'RING		14
24	0503011030	2-014 N 3006-9B O'RING		48
25	0501053834	MALE QUICK COUPLER		04
26	0501053835	FEMALE QUICK COUPLER		02
27	0503010217	501040 CLAMPING RING (FOR AXLE)		04
28	0521062967	OIL TUBE DISTRIBUTOR		01
29	0503016227	FLOW DIVIDING VALVE		01

Item	Code	Description	See page	QT
30	0503011109	2-119 N 3006-9B O'RING		03
31	0571010736	NIPPLE R1.1/16 UN X 13/16UN OFS		03
32	0503011053	5/16" X 3" C S 6.5 ZN BOLT		02
33	0531011180	UPPER BODY CLIP		02
34	0502012702	BODY SUPPORT CLAMP		09
35	0503010723	7/16UNC X 4 C SG.5 ZN1K19920 BOLT		02



civemasa

Technical Publications | Elaboration and Revision

LUIZ CANDIDO

www.civemasa.com.br

