

**DISK HARROWS**

**GIC - 16/36/40D**

**Code:** 0501091633

**Series:** S-1090

**Revision:** 00

**Revision Date:** ABRIL/2022

**PARTS  
CATALOGUE**

***CIVEMASA***




# PRODUCTS

Code	Description
0121030041	GIC 16 X 28 X 6,00 DM S-1090
0121030044	GIC 36 HID 36X28X7,50 DM PA S-1090
0121030043	GIC 40 HID 28 X 7,50 R CM S-1090
0121030042	GIC 40 HID 28 X 7,50 R DM S-1090

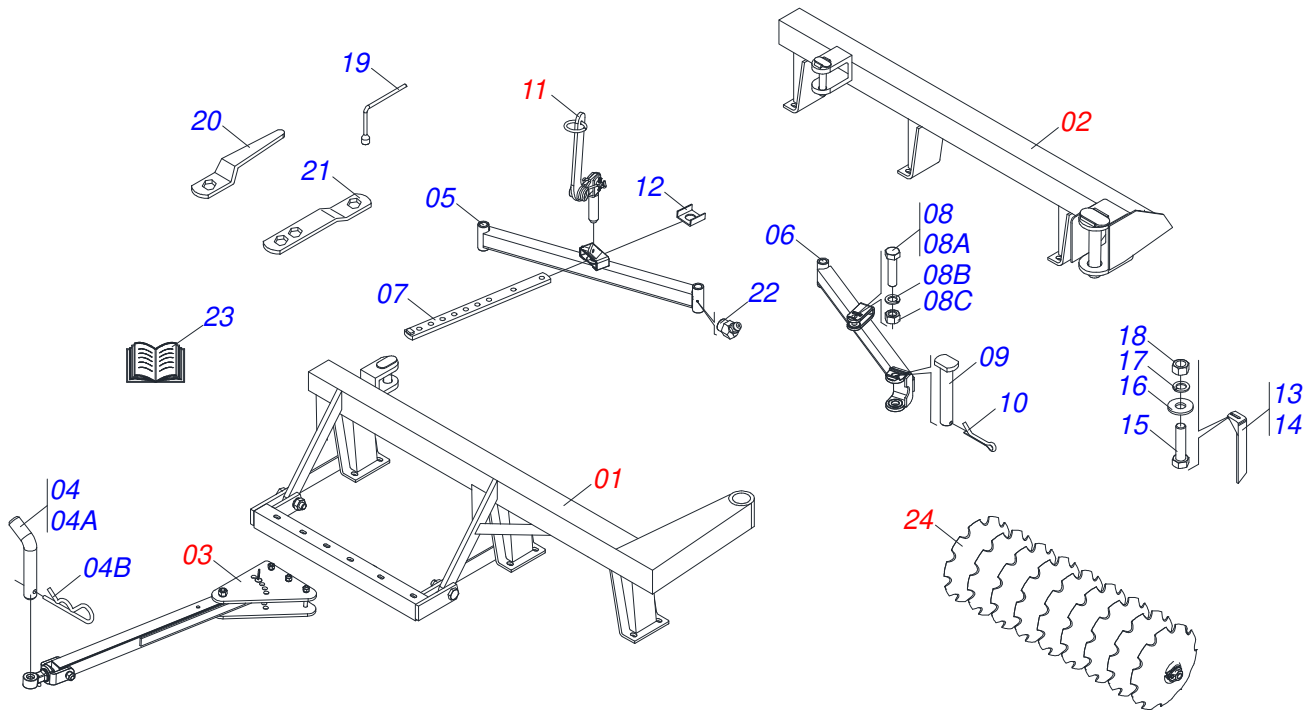
## ATTENTION: IMPORTANT

CIVEMASA reserves the right to improve and/or modify the technical features of its products, without obligation to do the same with those products already sold and without prior knowledge of the dealer or the consumer. The photos are only illustrative.

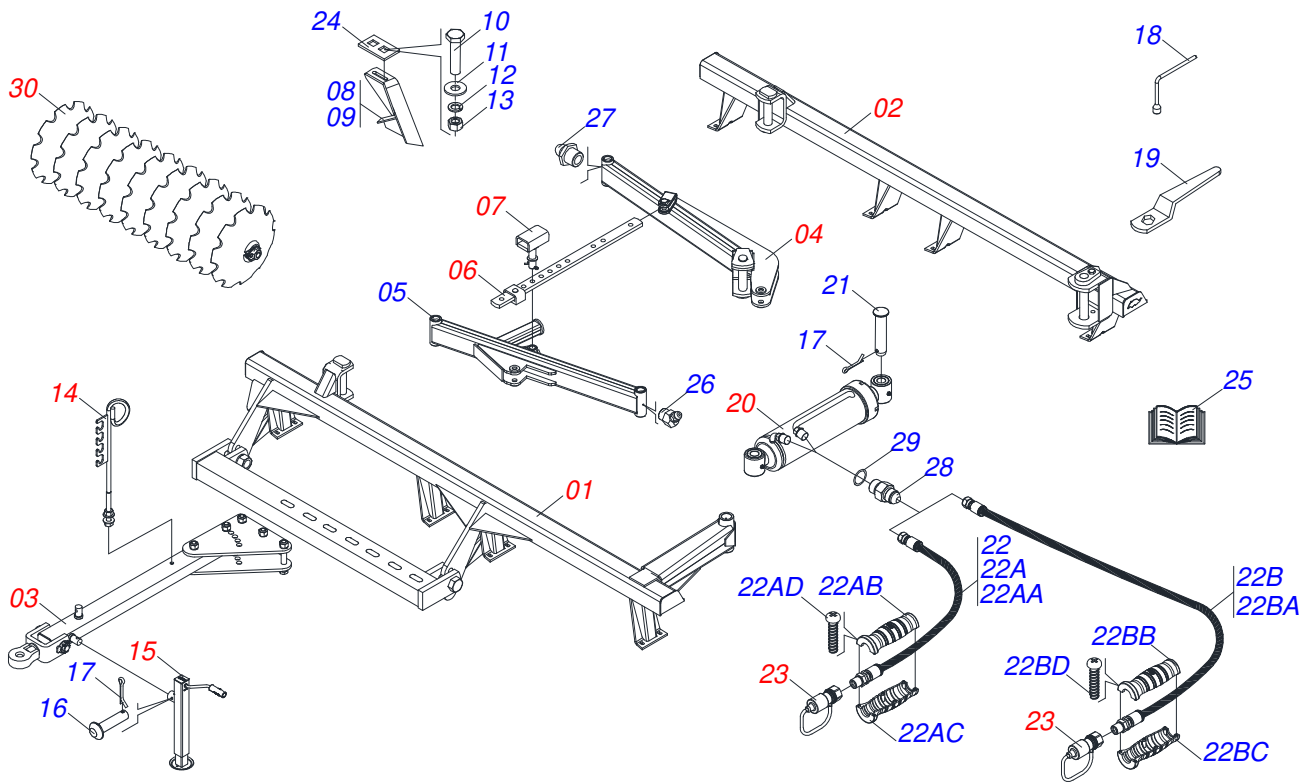


# INDEX

0909090901	FRAME ASSY	.....	1
0909090897	FRAME ASSY	.....	2
0521040895	COMPLETE FRONT CHASSIS	.....	3
0501043825	COMPLETE REAR CHASSIS	.....	4
0501042816	ASSY TRACTION BAR	.....	5
0501047858	ADJUSTMENT LEVER ASSY	.....	6
0521045363	COMPLETE FRONT CHASSIS	.....	7
0521045300	COMPLETE FRONT CHASSIS	.....	8
0521045364	COMPLETE REAR CHASSIS	.....	9
0521045301	COMPLETE REAR CHASSIS	.....	10
0501041372	DRAWBAR ASSY	.....	11
0501040324	REAR STABILIZER BAR ASSY	.....	12
0501041216	ADJUSTMENT BAR ASSY	.....	13
0501041199	ADJUSTMENT BODY ASSY	.....	14
0501040257	3/4 X 1200 HOSE HOLDER A	.....	15
0511059156	HYDRAULIC CYLINDER	.....	16
0909096199	FULL DISC SECTION	.....	17
0501046925	262 X 1-5/8" OIL BATH BRG ASSY,FG	.....	18
0501046916	262 X 1-5/8" GRESABLE BRG ASSY,FG	.....	19

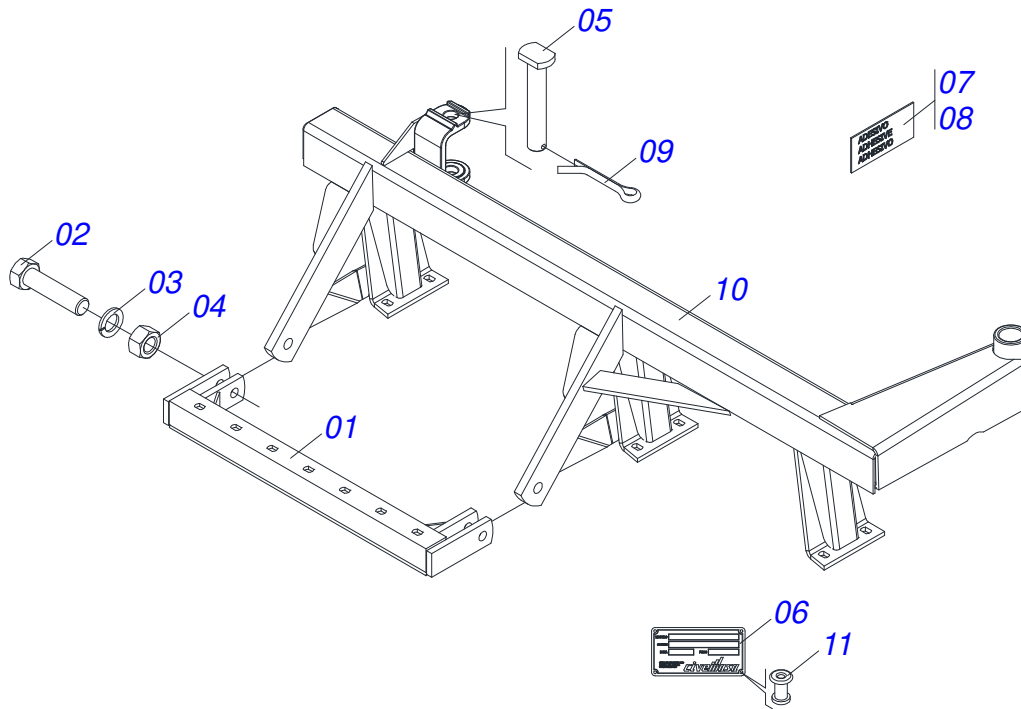


Item	Code	Description	See page	QT
01	0521040895	COMPLETE FRONT CHASSIS	3	01
02	0501043825	COMPLETE REAR CHASSIS	4	01
03	0501042816	ASSY TRACTION BAR	5	01
04	0501040343	DRAWBOLT ASSY		01
04A	0521010453	AXI SHAFT		01
04B	0503031035	HAIR PIN		01
05	0501062506	FRONT STABILIZER BAR		01
06	0501062508	REAR STABILIZER BAR		01
07	0501064197	ADJUSTMENT BAR		01
08	0501040852	1" X 4" ASSY BOLT		01
08A	0501010059	1.5/8 NUT		01
08B	0503010012	1" SPRING WASHER		01
08C	0503011432	BOLT		01
09	0521010644	1.5" X 8.4" COUPLING SHAFT		01
10	0503010534	3/8 X 2-1/2 COTTERPIN		01
11	0501047858	ADJUSTMENT LEVER ASSY	6	01
12	0501011649	U 1.2" X 3.1" X 3/16" BAR		01
13	0501064168	REAR SCRAPER		04
14	0501064167	REAR SCRAPER		04
15	0503011082	C1/2" X 1.3/4" SCREW		16
16	0511017302	FLAT WASHER		16
17	0503010019	1/2" SPRING WASHER		16
18	0503010060	1/2" NUT		16
19	0503016140	3/4" WRENCH CABLE CYLINDRICAL		01
20	0501011431	1-3/4" GANG BOLT WRENCH		02
21	0511018451	5/8" X 3/4" X 1" UNIVERSAL		01
22	0503010003	1845 GREASE FITTING		01
23	0511031644	BAG WITH INSTRUCTION MANUAL		01
24	0909096199	FULL DISC SECTION	17	16

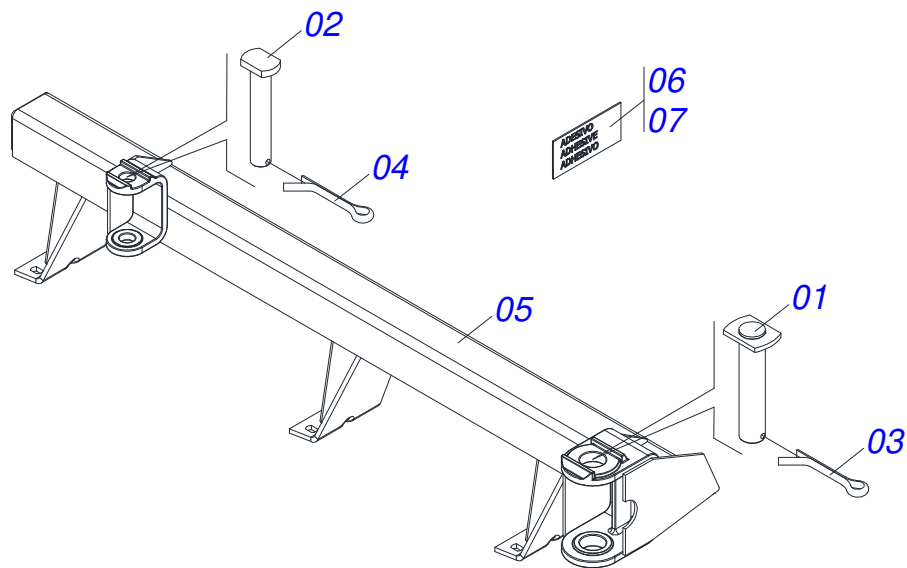


Item	Code	Description	See page	36	40
01	0521045363	COMPLETE FRONT CHASSIS	7	01	00
01.	0521045300	COMPLETE FRONT CHASSIS	8	00	01
02	0521045364	COMPLETE REAR CHASSIS	9	01	00
02.	0521045301	COMPLETE REAR CHASSIS	10	00	01
03	0501041372	DRAWBAR ASSY	11	01	01
04	0501040324	REAR STABILIZER BAR ASSY	12	01	01
05	0501060448	FRONT STABILIZER BAR		01	01
06	0501041216	ADJUSTMENT BAR ASSY	13	01	01
07	0501041199	ADJUSTMENT BODY ASSY	14	01	01
08	0501065827	FRONT CLEANER		11	13
09	0501065828	REAR CLEANER		11	13
10	0503010740	BOLT 1/2 UNC X 2 CS G.5 ZN		52	58
11	0511017302	FLAT WASHER		52	58
12	0503010019	1/2" SPRING WASHER		52	58
13	0503010060	1/2" NUT		52	58
14	0501040257	3/4 X 1200 HOSE HOLDER A	15	01	01
15	0503062157	HEADER JACK		01	01
16	0521010546	1.2" X 5.7" COUPLING SHAFT		01	01
17	0503010523	1/4" X 2" COTTERPIN		02	02
18	0503016140	3/4" WRENCH CABLE CYLINDRICAL		01	01
19	0501011431	1-3/4" GANG BOLT WRENCH		02	02
20	0511059156	HYDRAULIC CYLINDER	16	36	40
21	0501047867	JUNCTION AXIS 31.75 X 145 COMPLETE		02	02
22	0501051042	HOSE ASSY		01	01
22A	0531053377	HOSE 1/2 X 4500 TR-TM PURPLE/RED		01	01
22AA	0501080001	1/2" X 177" TR-TM HOSE ASSY		01	01
22AB	0503034491	HYDRAULIC HOSE GRIP (PURPLE)		01	01
22AC	0503034495	HYDRAULIC HOSE GRIP (RED)		01	01
22AD	0503018952	PLASTIC BOLT		06	06
22B	0531053376	HOSE 1/2 X 4500 TR-TM PURPLE/BLUE		01	01
22BA	0501080001	1/2" X 177" TR-TM HOSE ASSY		01	01

<b>Item</b>	<b>Code</b>	<b>Description</b>	<b>See page</b>	<b>36</b>	<b>40</b>
22BB	0503034491	HYDRAULIC HOSE GRIP (PURPLE)		01	01
22BC	0503034494	HYDRAULIC HOSE GRIP (BLUE)		01	01
22BD	0503018952	PLASTIC BOLT		06	01
23	0503011627	MALE QUICK COUPLER AGR 1/2 NPT		02	02
24	0501010242	SCRAPER LOCK		22	26
25	0511031644	BAG WITH INSTRUCTION MANUAL		01	01
26	0503010003	1845 GREASE FITTING		01	01
27	0503010002	1800 GREASE FITTING		04	04
28	0501010617	3/4" NIPPLE		02	02
29	0503010190	2-114 N 3006-9B O'RING		02	02
30	0909096199	FULL DISC SECTION	17	36	40

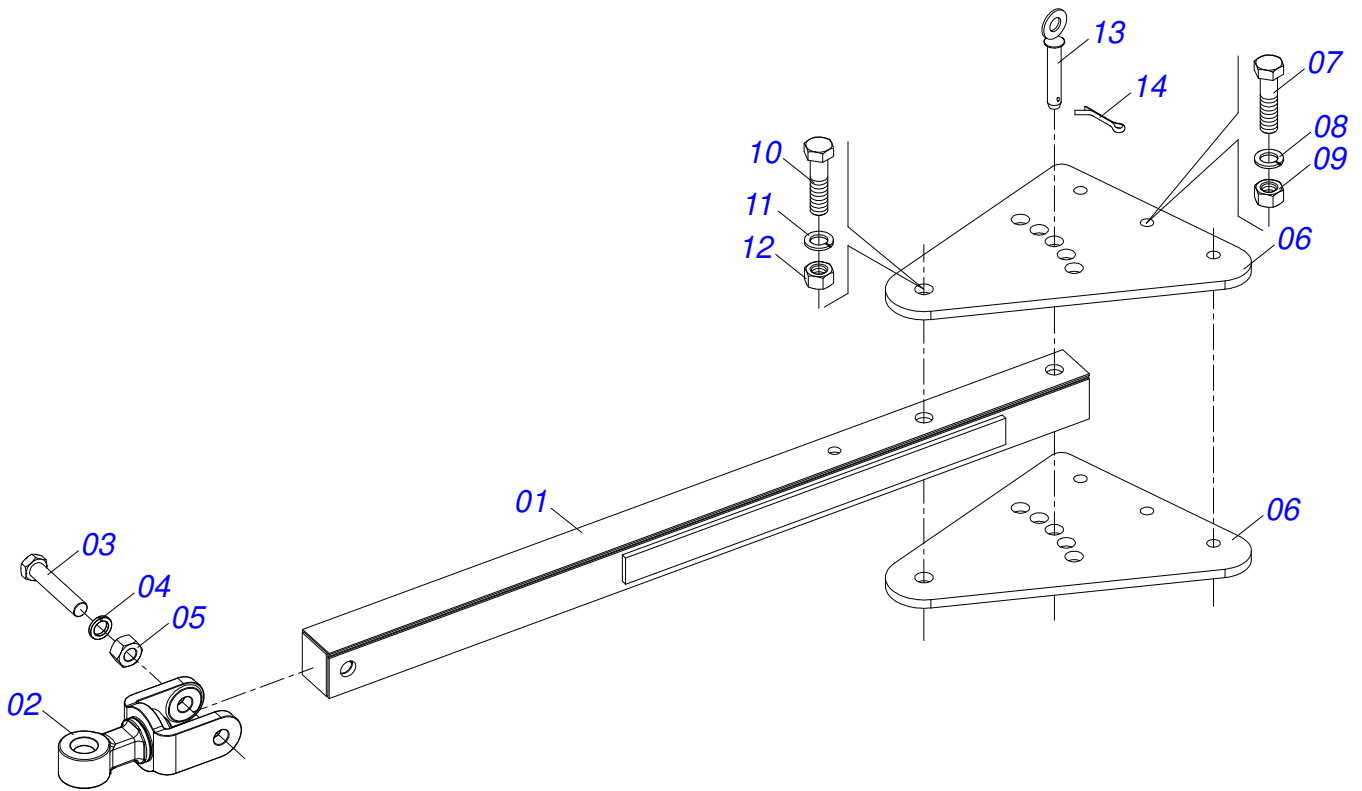


Item	Code	Description	See page	QT
01	050106545	OFFSET BAR		01
02	0501011547	1" X 4-1/2" BOLT		02
03	0503011438	SPRING WASHER		02
04	0501010059	1.5/8 NUT		02
05	0521010644	1.5" X 8.4" COUPLING SHAFT		01
06	0503034004	ALUMINUM IDENTIFICATION LABEL		01
07	0503033689	GIC EMBLEM		02
08	0503033244	ADHESIVE LABEL		02
09	0503010534	3/8 X 2-1/2 COTTERPIN		01
10	0521063225	FRONT FRAME GIC 16		01
11	0503010001	3.2 X 5.5 RIVET		04

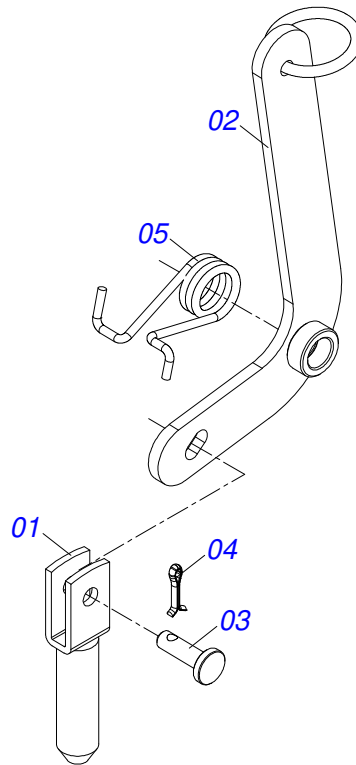


Item	Code	Description	See page	QT
01	0501065487	2.4" X 123" COUPLING SHAFT		01
02	0521010644	1.5" X 8.4" COUPLING SHAFT		01
03	0503010073	3/8 X 3-1/2 COTTERPIN		01
04	0503010534	3/8 X 2-1/2 COTTERPIN		01
05	0501065527	REAR FRAME		01
06	0503034120	ADHESIVE LABEL		01
07	0503033427	ADHESIVE LABEL LOGO TATU 80X107		01

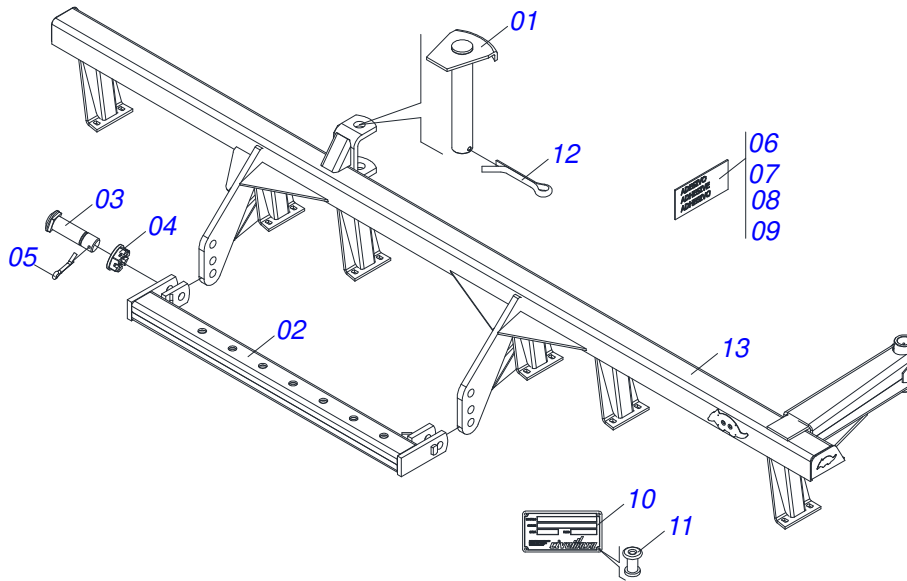




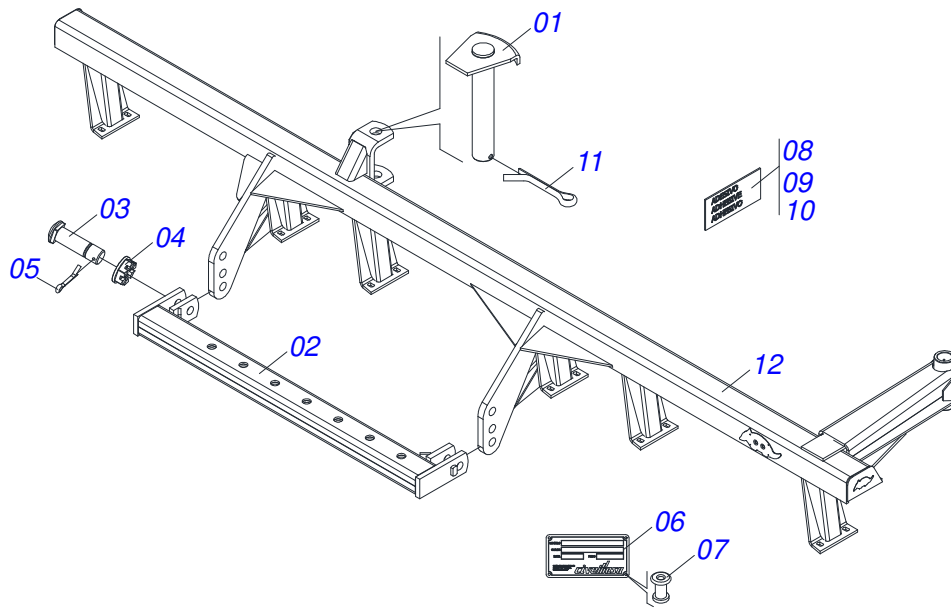
Item	Code	Description	See page	QT
01	0501060188	DRAWBAR ASSY		01
02	0521061775	TRACTOR HITCH		01
03	0501010060	1" X 6-1/2" BOLT		01
04	0503011438	SPRING WASHER		01
05	0501010059	1.5/8 NUT		01
06	0501010241	UPPER /LOWER PLATE		02
07	0503011198	C3/4" X 6" SCREW		03
08	0503011442	3/4" SPRING WASHER		03
09	0503010014	3/4" NUT		03
10	0501010191	1" X 6" BOLT		01
11	0503011438	SPRING WASHER		01
12	0501010059	1.5/8 NUT		01
13	0501068993	0.9" X 5.5" COUPLING SHAFT		01
14	0503010571	1/4" X 1.1/2 COTTERPIN		01



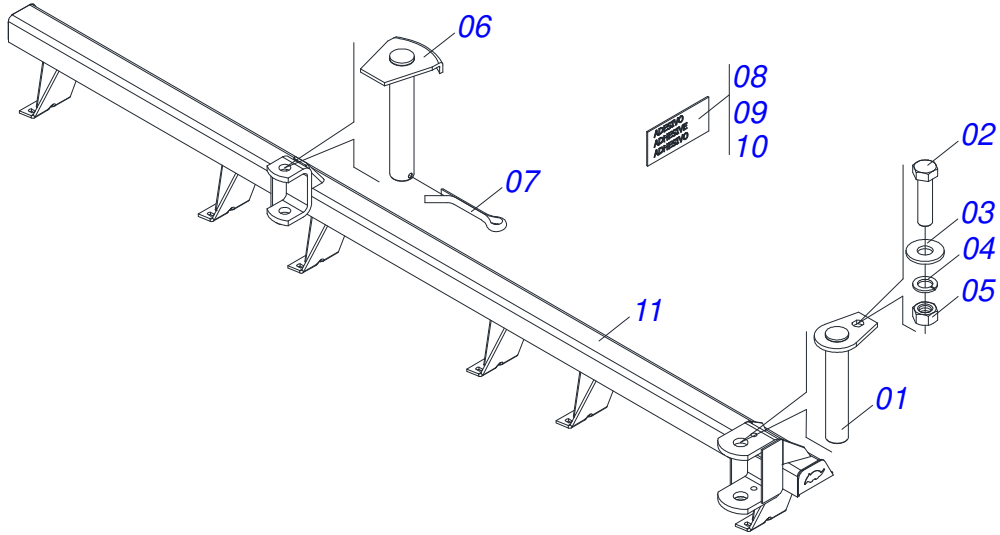
Item	Code	Description	See page	QT
01	0501060185	ADJUSTMENT LOCK		01
02	0501068981	ADJUSTMENT LEVER		01
03	0521010624	0.4" X 1.5" COUPLING SHAFT		01
04	0503010071	3/16" X 1" COTTERPIN		01
05	0503030025	1.4" X 0.2" TORSION SPRING		01



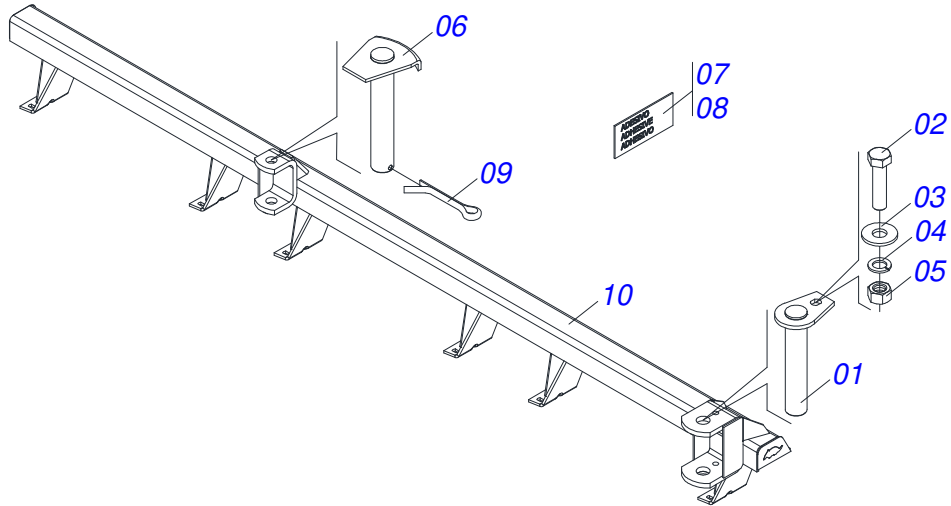
Item	Code	Description	See page	QT
01	0501063253	2" X 11.9" COUPLING SHAFT		01
02	0521062520	OFFSET BAR		01
03	0501016416	1-1/2" X 5.4" BOLT		02
04	0501011301	1.1/2 UNC 6FPP 2.5/16 NUT		02
05	0503010010	1/4" X 2.1/2" COTTERPIN		02
06	0503033647	APPROVED BADGE		01
07	0503031428	READ MANUAL DECAL		01
08	0503033689	GIC EMBLEM		01
09	0503033244	ADHESIVE LABEL		01
10	0503034004	ALUMINUM IDENTIFICATION LABEL		01
11	0503010001	3.2 X 5.5 RIVET		04
12	0503010534	3/8 X 2-1/2 COTTERPIN		01
13	0521065822	FRONT FRAME GIC 36		01



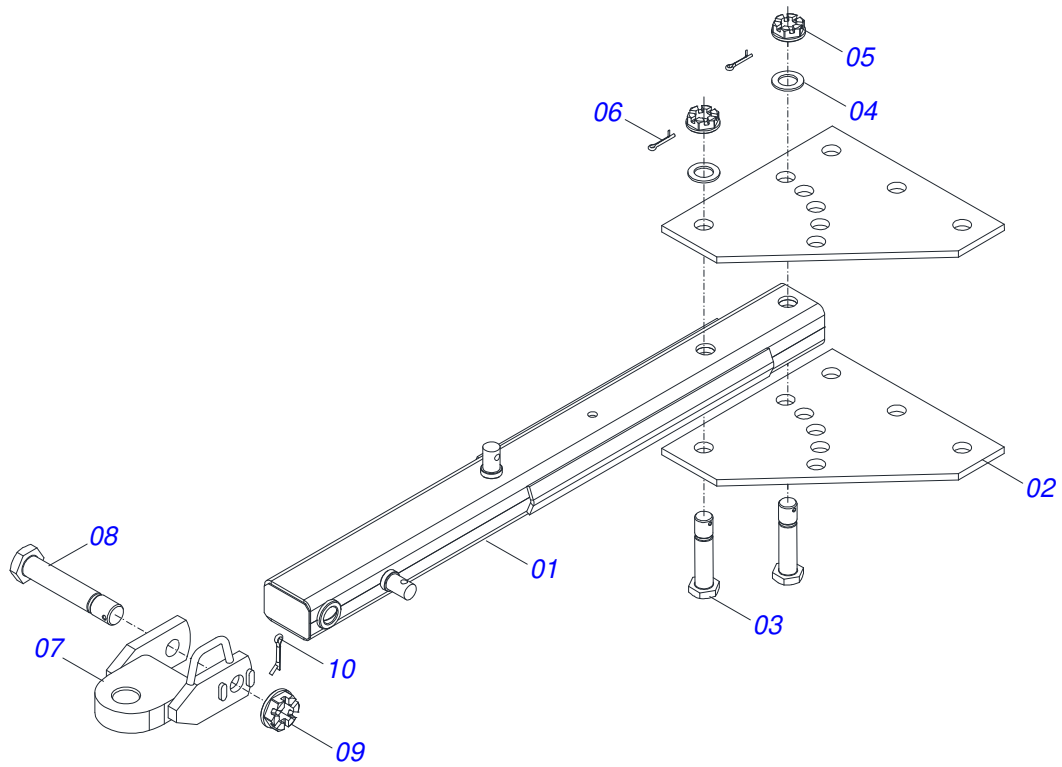
Item	Code	Description	See page	QT
01	0521010644	1.5" X 8.4" COUPLING SHAFT		01
02	0521062520	OFFSET BAR		01
03	0501016416	1-1/2" X 5.4" BOLT		02
04	0501011301	1.1/2 UNC 6FPP 2.5/16 NUT		02
05	0503010010	1/4" X 2.1/2" COTTERPIN		02
06	0503034004	ALUMINUM IDENTIFICATION LABEL		01
07	0503010001	3.2 X 5.5 RIVET		04
08	0503033689	GIC EMBLEM		01
09	0503033244	ADHESIVE LABEL		01
10	0503033647	APPROVED BADGE		01
11	0503010534	3/8 X 2-1/2 COTTERPIN		01
12	0521065684	FRONT FRAME GIC 40		01



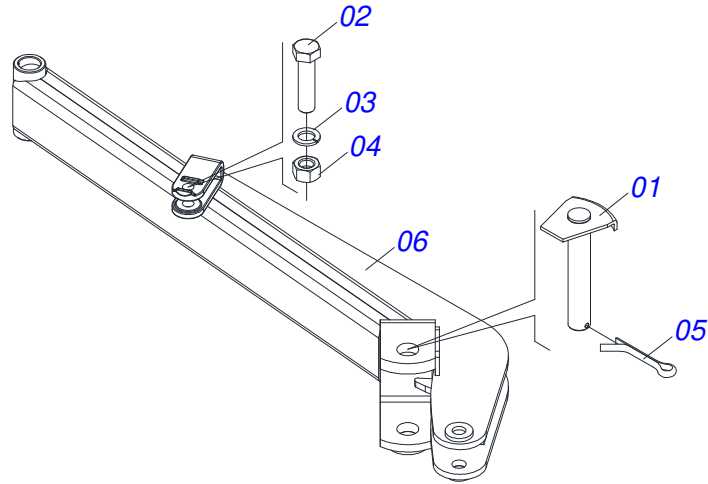
Item	Code	Description	See page	QT
01	0501062185	2.5" X 13.6" COUPLING SHAFT		01
02	0501010276	BOLT		01
03	0501011445	FLAT WASHER		01
04	0503010012	1" SPRING WASHER		01
05	0501010059	1.5/8 NUT		01
06	0501063253	2" X 11.9" COUPLING SHAFT		01
07	0503010534	3/8 X 2-1/2 COTTERPIN		01
08	0503033647	APPROVED BADGE		01
09	0503033689	GIC EMBLEM		01
10	0503033244	ADHESIVE LABEL		01
11	0521065823	REAR FRAME GIC 36		01



Item	Code	Description	See page	QT
01	0501062185	2.5" X 13.6" COUPLING SHAFT		01
02	0501010276	BOLT		01
03	0501011445	FLAT WASHER		01
04	0503010012	1" SPRING WASHER		01
05	0501010059	1.5/8 NUT		01
06	0521010644	1.5" X 8.4" COUPLING SHAFT		01
07	0503033689	GIC EMBLEM		01
08	0503033244	ADHESIVE LABEL		01
09	0503010534	3/8 X 2-1/2 COTTERPIN		01
10	0521065685	REAR FRAME GIC 40		01

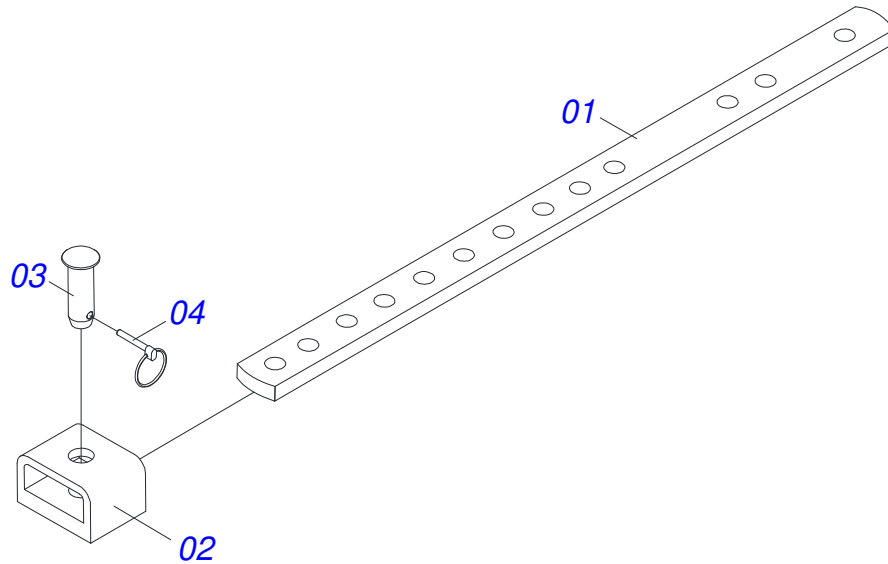


Item	Code	Description	See page	QT
01	0501060299	DRAWBAR ASSY		01
02	0501010272	UPPER/LOWER PLATE		02
03	0501010295	1-1/2" X 6.9" BOLT		05
04	0501012916	FLAT WASHER 38,50 X 66 X 4,75 ZN		05
05	0501011301	1.1/2 UNC 6FPP 2.5/16 NUT		05
06	0503010010	1/4" X 2.1/2" COTTERPIN		05
07	0501060317	TRACTOR HITCH		01
08	0501016415	1-1/2" X 9.6" BOLT		01
09	0501011301	1.1/2 UNC 6FPP 2.5/16 NUT		01
10	0503010010	1/4" X 2.1/2" COTTERPIN		01

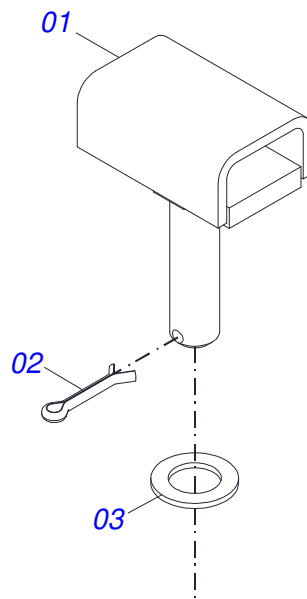


Item	Code	Description	See page	QT
01	0501063253	2" X 11.9" COUPLING SHAFT		01
02	0503011432	BOLT		01
03	0503011438	SPRING WASHER		01
04	0501010059	1.5/8 NUT		01
05	0503010534	3/8 X 2-1/2 COTTERPIN		01
06	0501060450	REAR STABILIZER BAR ASSY		01

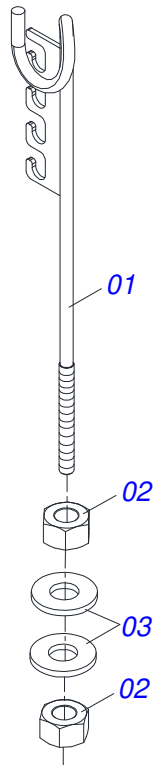




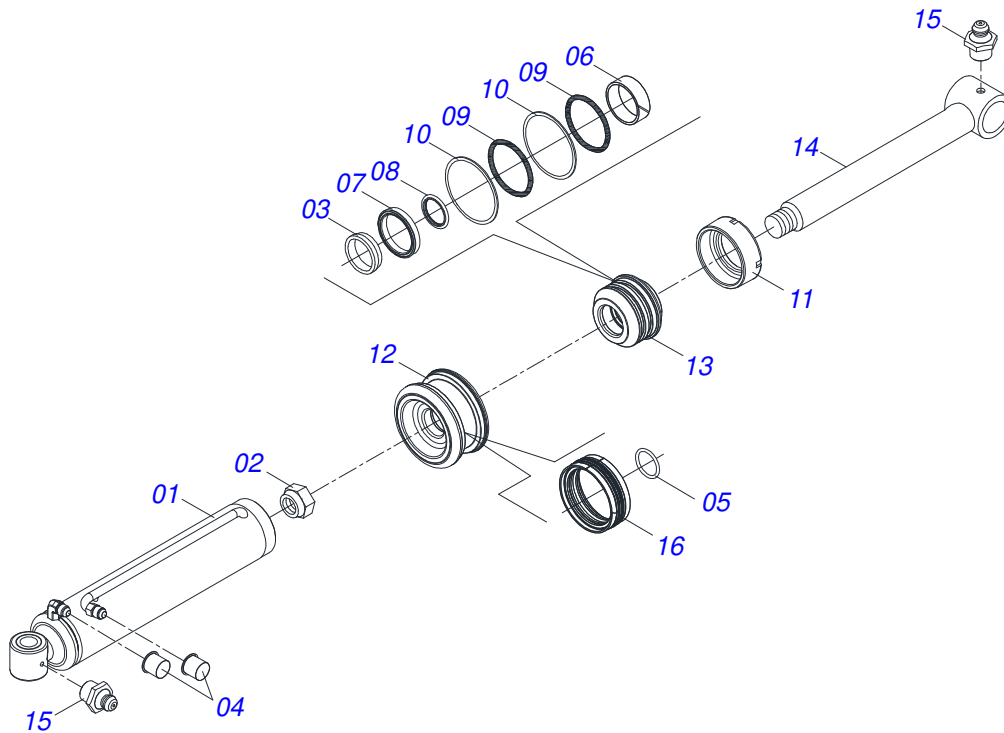
Item	Code	Description	See page	QT
01	0501013284	ADJUSTMENT BAR		01
02	0501060434	BEATER BOX		01
03	0521010573	0.9" X 3.1" COUPLING SHAFT		01
04	0503010571	1/4" X 1.1/2 COTTERPIN		01



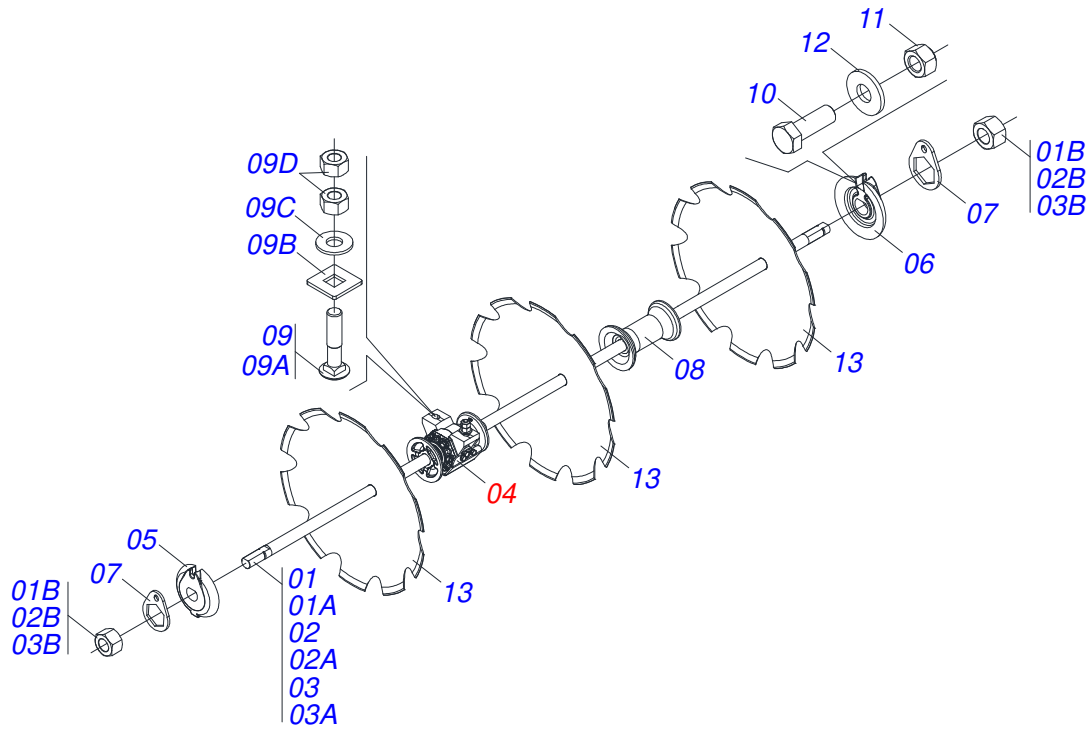
Item	Code	Description	See page	QT
01	0501063206	ADJUSTMENT BODY		01
02	0503010534	3/8 X 2-1/2 COTTERPIN		01
03	0501012916	FLAT WASHER 38,50 X 66 X 4,75 ZN		01



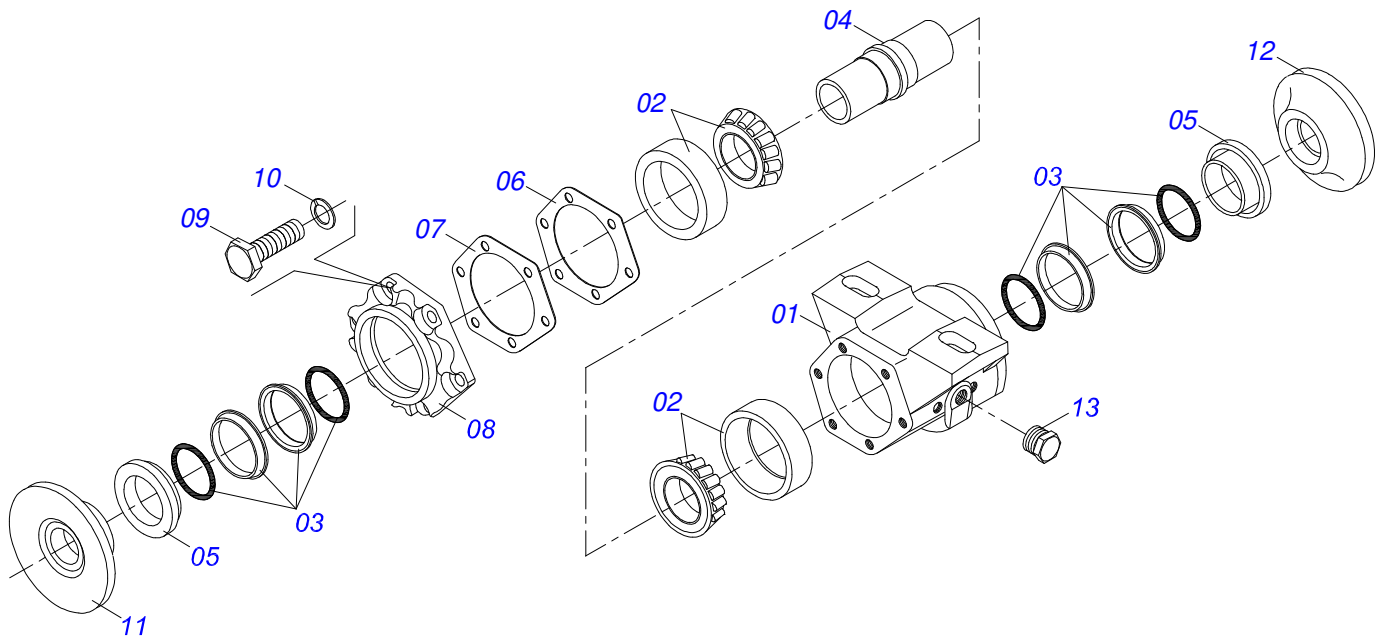
Item	Code	Description	See page	QT
01	0511067334	HOSE SOPPORT ASSY		01
02	0503010014	3/4" NUT		02
03	0501010322	FLAT WASHER		02



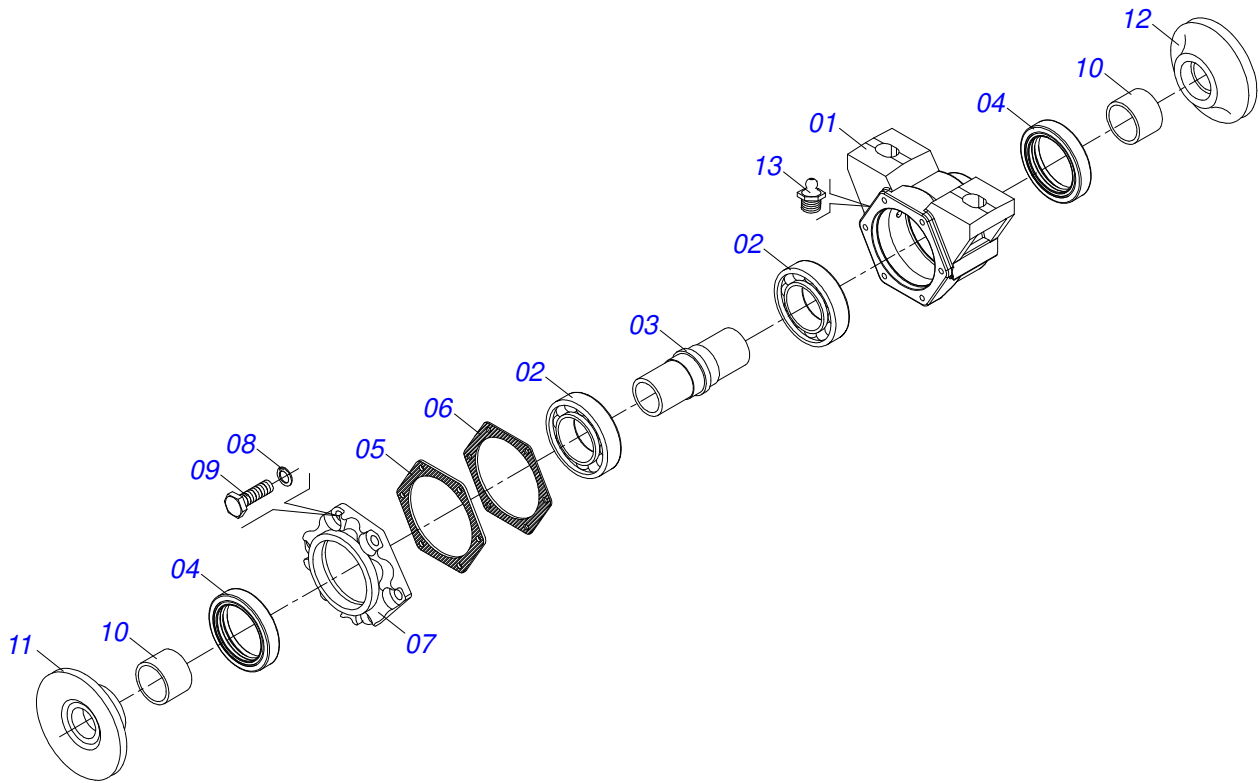
Item	Code	Description	See page	QT
01	0521066349	CYLINDER CASE		01
02	0503010817	1.1/4" SELF LOCKING NUT		01
03	0503010039	D-2000 SCRAPER RING		01
04	0503030387	PLUG		02
05	0503018029	2-217 O'RING		01
06	0503018025	RING GUIDE		01
07	0503018026	1870-2000-375 B GASKET		01
08	0503018024	RING BS		01
09	0503010338	2-342 N 3006-9B O'RING		02
10	0503011061	8-342 BACK-UP RING		02
11	0502012822	101.60 END CAP		01
12	0502012820	50.80 X 101.60 PISTON		01
13	0502012821	50.80 X 101.60 RING SUPPORT		01
14	0511070665	TURNBUCKLE		01
15	0503010002	1800 GREASE FITTING		02
16	0503015633	SELEMASTER SEALING		01



Item	Code	Description	See page	16	36	40
01	0501046861	1-5/8" X 80" AXLE WITH NUTS 2-3/4"		02	00	00
01A	0501019015	1-5/8 X 80" AXLE		02	00	00
01B	0502040640	1.5/8" 2.3/4" NUT		02	00	00
02	0501046856	1-5/8" X 59" AXLE WITH NUTS 2-3/4"		00	06	02
02A	0501019012	1-5/8" X 59" AXLE		00	06	02
02B	0502040640	1.5/8" 2.3/4" NUT		00	06	02
03	0501046859	1-5/8" X 70" AXLE WITH NUTS 2-3/4"		00	00	04
03A	0501015631	1-5/8" X 70" AXLE		00	00	04
03B	0502040640	1.5/8" 2.3/4" NUT		00	00	04
04	0501046925	262 X 1-5/8" OIL BATH BRG ASSY,FG	18	06	12	12
04.	0501046916	262 X 1-5/8" GRESABLE BRG ASSY,FG	19	00	00	16
05	0502011047	1-5/8" INNER AXLE WASHER		02	06	06
06	0502011048	1-5/8" EXTERNAL AXLE WASHER		02	06	06
07	0511014339	1-5/8" 2.8" NUT LOCK		04	12	12
08	0502010703	10.35" 1-5/8" SPACER		08	18	22
09	0511040034	3/4" X 3-1/4" BOLT ASSY		12	24	24
09A	0501017303	3/4" X 3-1/4" BOLT		12	24	24
09B	0501010949	3/4" SQUARE WASHER		12	24	24
09C	0501010322	FLAT WASHER		12	24	24
09D	0503010014	3/4" NUT		12	24	24
10	0503010232	5/8" X 1.3/4" BOLT		04	12	12
11	0503012412	5/8 UNC SELF LOCKING NUT		04	12	12
12	0501012140	FLAT WASHER		04	12	12
13	0602037004	28" X 0.2" NOTCHED DISC BLADE		16	00	00
13.	0602037006	DR28X7,5 C102AF04FR1.11/16 10R TATU		00	36	40



Item	Code	Description	See page	QT
01	0502020481	HOUSING DM		01
02	0503010005	32212 ROLLER BEARING		02
03	0503030027	DUO-CONE SEAL		02
04	0502010900	BEARING AXLE		01
05	0502010735	SEAL RETAINER		02
06	0503030030	5.6" X 4.4" X 0.01" GASKET		02
07	0503030685	5.5" X 4.4" X 0.003" GASKET		02
08	0502020161	WEAR PLATE BEARING		01
09	0503010237	3/8" X 1" BOLT		06
10	0503011443	3/8" SPRING WASHER		06
11	0502040239	OUTER FLANGE		01
12	0502040240	INNER FLANGE		01
13	0503010856	OIL PLUG		01



Item	Code	Description	See page	QT
01	0502020479	BEARING HOUSING, FG		01
02	0503010005	32212 ROLLER BEARING		02
03	0502010900	BEARING AXLE		01
04	0503010087	02017-GB GREASE SEAL		02
05	0503030030	5.6" X 4.4" X 0.01" GASKET		03
06	0503030685	5.5" X 4.4" X 0.003" GASKET		02
07	0502020523	BEARING CAP		01
08	0503011443	3/8" SPRING WASHER		06
09	0503010237	3/8" X 1" BOLT		06
10	0502040591	SPACING BUSHING		02
11	0502040239	OUTER FLANGE		01
12	0502040240	INNER FLANGE		01
13	0503010002	1800 GREASE FITTING		01







***civemasa***

**Technical Publications | Elaboration and Revision**

ALESSANDRA PATRICIA KAWAHARA CARRILI

[www.civemasa.com.br](http://www.civemasa.com.br)

