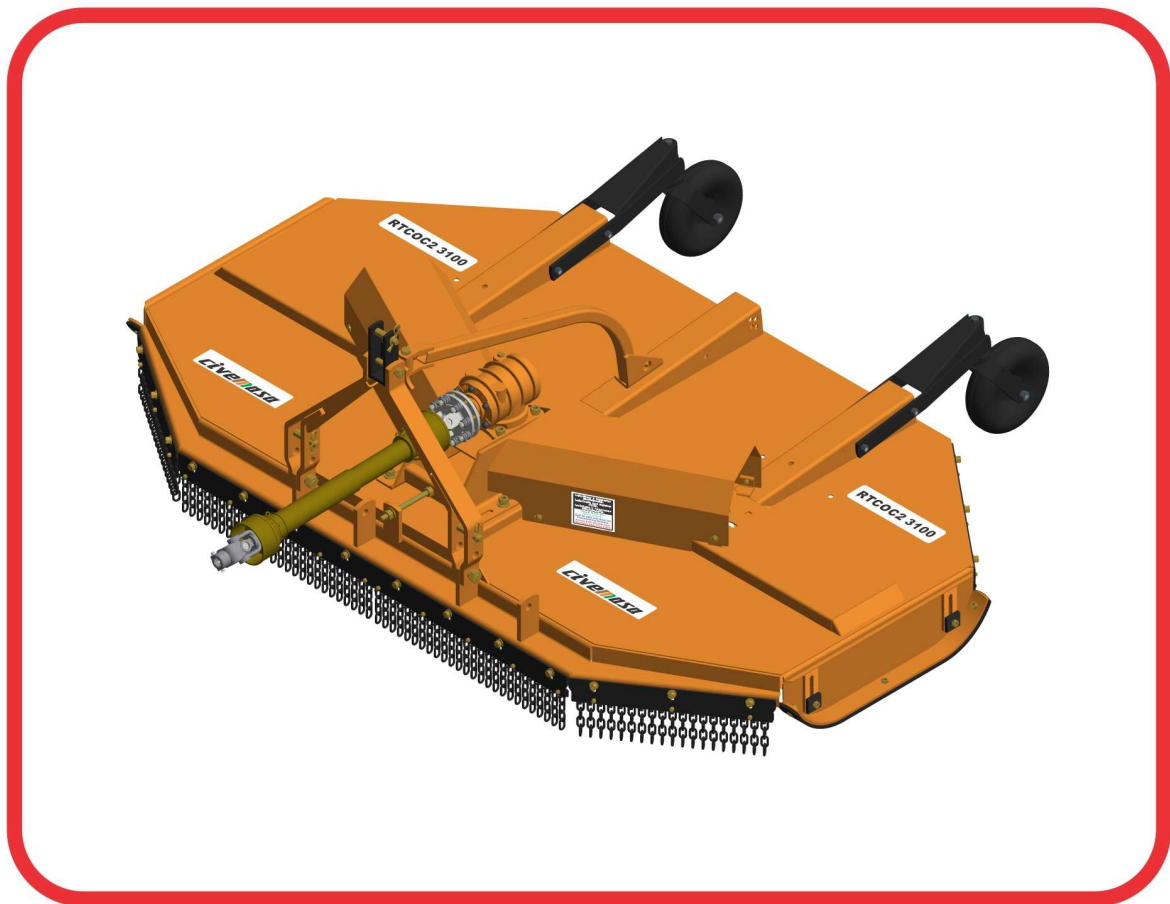


PARTS CATALOGUE

ROTARY COTTERS

RTCOC2 3100

Code: 0501091628



Series: S-0214

Review: MAIO/2016

**ORIGINAL PARTS
CIVEMASA**

civemasa

PRODUCTS

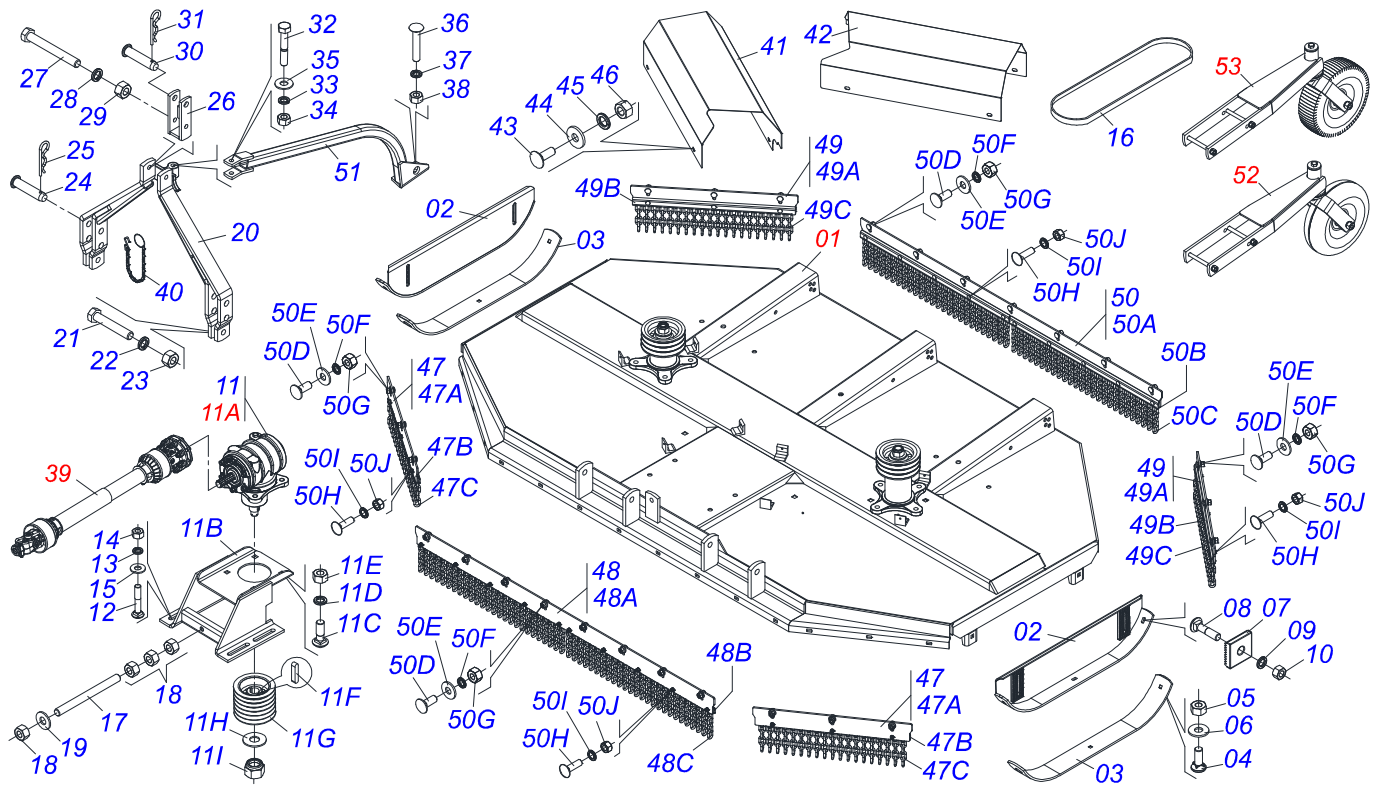
Code	Description
0121530009	RTCOC2 3100 C/R C/PROT CORR S-0214
0121530010	RTCOC2 3100 C/R EXPORTACAO S-0214

ATTENTION: IMPORTANT

CIVEMASA RESERVES THE RIGHT AT ANY TIME TO MAKE IMPROVEMENTS IN THE DESIGN, MATERIAL OR SPECIFICATIONS OF MACHINERY, EQUIPMENT OR PARTS WITHOUT THEREBY BECOMING LIABLE TO MAKE SIMILAR CHANGES IN MACHINERY, EQUIPMENT OR PARTS PREVIOUSLY SOLD.

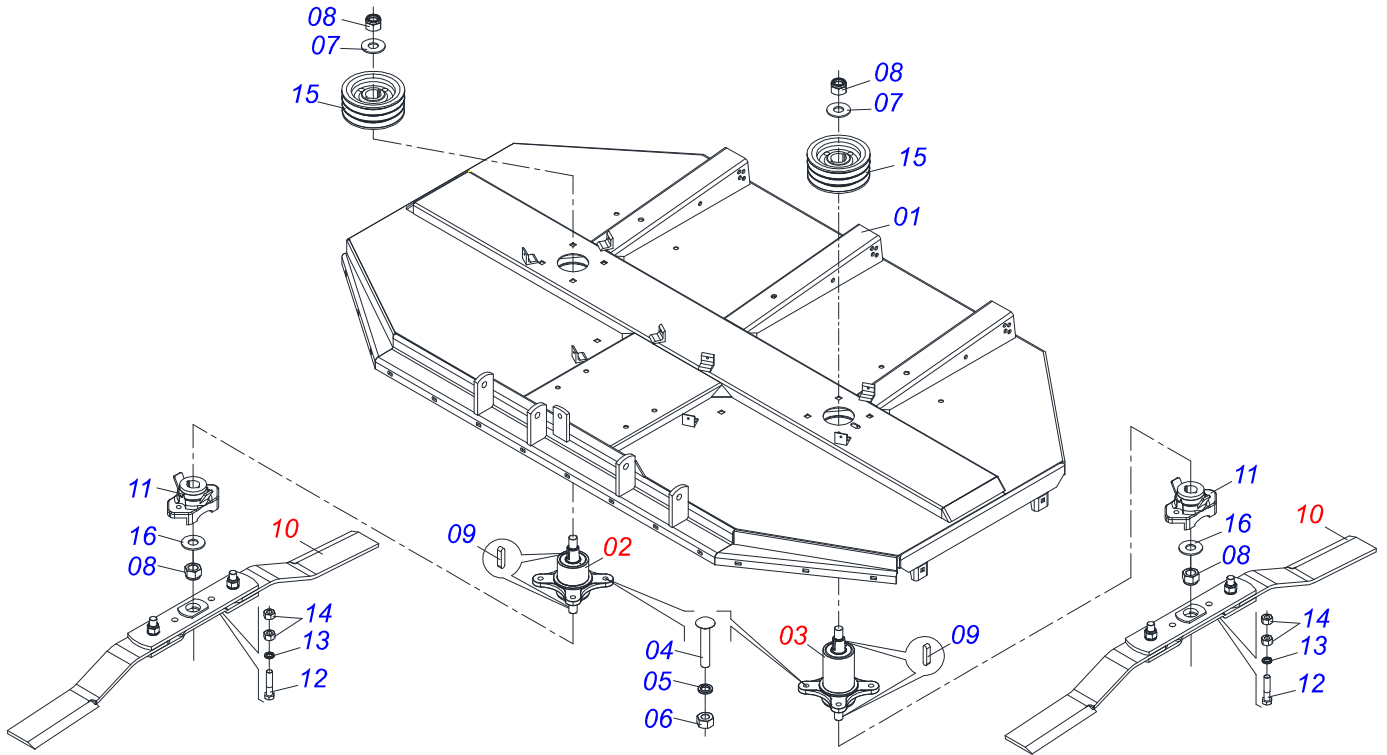
INDEX

0909094488	FRAME ASSY	1
0511055352	SEMIFINISHED FRAME	2
0511043567	ROTARY CUTTERS HUB ASSY	3
0511043566	ROTARY CUTTERS HUB ASSY	4
0501056321	SUPPORT ROTARY CUTTER BLADES	5
0501046851	MULTIPLIER	6
0501047952	DRIVE SHAFT	7
0511047301	CARRYING WHEELS ASSY	8
0501043642	RUBBER WHEEL ASSY	9

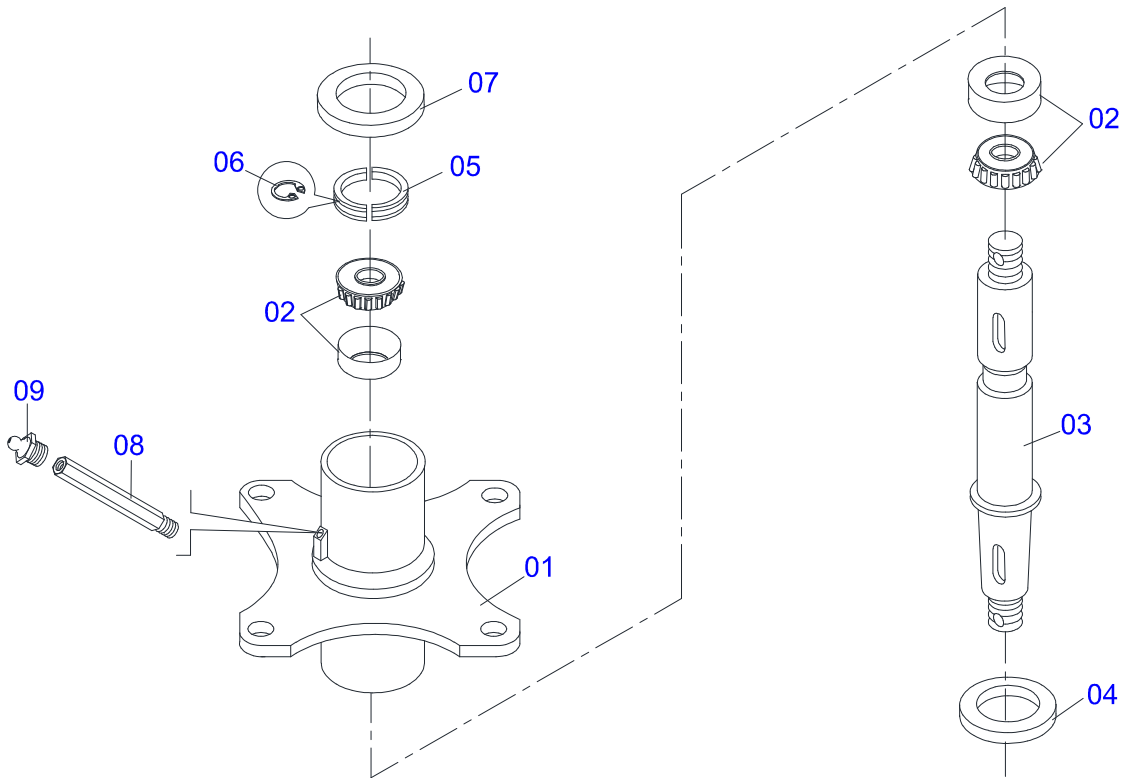


Item	Code	Description	QT
001	0511055352	SEMIFINISHED FRAME	01
002	0511064760	930 SKID	02
003	0531019436	SKID GUIDE	02
004	0503012956	1/2" X 1-1/2" BOLT	06
005	0503010020	1/2" NUT	06
006	0511017302	FLAT WASHER	06
007	0502010083	SQUARE WASHER	04
008	0501014177	5/8" X 2-1/2" BOLT	04
009	0503010027	5/8" SPRING WASHER	04
010	0503010013	5/8" NUT	04
011	0511052083		01
011A	0501046851	MULTIPLIER	01
011B	0501066457	GEAR BOX SUPPORT	01
011C	0501018059	3/4" X 2-1/4" BOLT	04
011D	0503011442	3/4" SPRING WASHER	04
011E	0503010014	3/4" NUT	04
011F	0501010536	0.4" X 1.7" KEYWAY SQUARE	02
011G	0502011378	6 REEL X 7.5" X 1.97" PULLEY	01
011H	0561015762	FLAT WASHER	01
011I	0503010817	1.1/4" UNF SELF ADJUSTING NUT	01
012	0501010162	3/4" X 4" BOLT	04
013	0503010023	3/4" SPRING WASHER	04
014	0503010014	3/4" NUT	04
015	0501010322	FLAT WASHER	04
016	0503010156	C-85 BELT	06
017	0501016413	362 TENSIONER BODY	01
018	0503010014	3/4" NUT	04
019	0501010322	FLAT WASHER	01
020	0501066446	DRAWBAR	01
021	0501010171	1" X 3-1/2" BOLT	02
022	0503010012	1" SPRING WASHER	02
023	0501010059	1" NUT	02
024	0521010596	COUPLING SHAFT	02

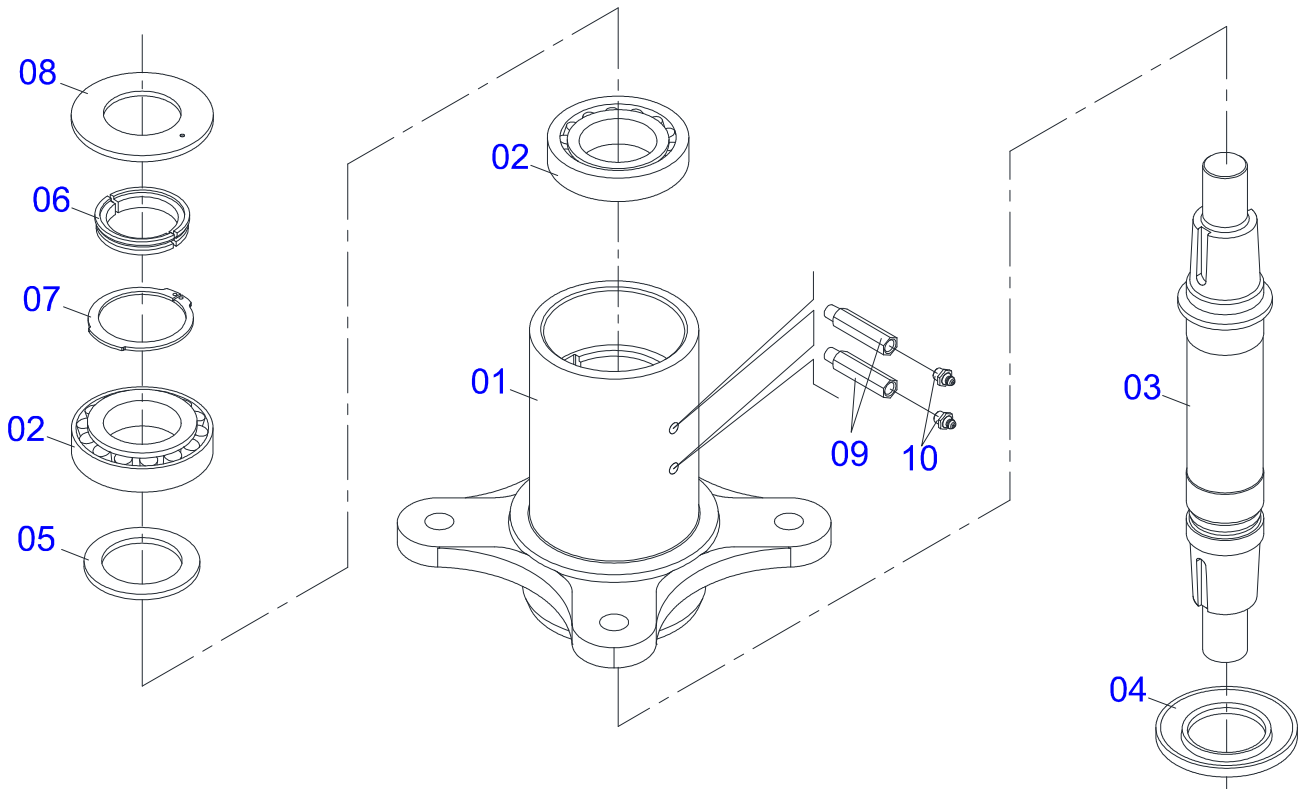
Item	Code	Description	QT
025	0503031035	HAIR PIN	02
026	0501066445	PIVOT DOUBLE BAR	01
027	0503011198	3/4" X 6" BOLT	01
028	0503010023	3/4" SPRING WASHER	01
029	0503010014	3/4" NUT	01
030	0521010578	0.9" X 4.3" COUPLING SHAFT	01
031	0503031035	HAIR PIN	01
032	0501010216	3/4" X 4-1/2" BOLT	01
033	0503010023	3/4" SPRING WASHER	01
034	0503010014	3/4" NUT	01
035	0501010322	FLAT WASHER	01
036	0501017305	3/4" X 2-1/4" BOLT	01
037	0503010023	3/4" SPRING WASHER	01
038	0503010014	3/4" NUT	01
039	0501047952	DRIVE SHAFT	01
040	0503011981	17.7" CHAIN WITH HOOK/LINK	01
041	0571016127		01
042	0571016128		01
043	0501011643	NUT	08
044	0501010984	FLAT WASHER	08
045	0503010025	3/8" SPRING WHASHER	08
046	0503010026	3/8" NUT	08
047	0511055130	CHAIN PROTECTION	02
047A	0571016015		02
047B	0571016014		02
047C	0511011774	8,00 CHAIN 4 LINK	38
048	0511055077	CHAIN PROTECTION	01
048A	0571016006		01
048B	0571016007		02
048C	0511011774	8,00 CHAIN 4 LINK	52
049	0511055075	CHAIN PROTECTION	02
049A	0571016010		02
049B	0571016009		02
049C	0511011774	8,00 CHAIN 4 LINK	40
050	0511055076	CHAIN PROTECTION	01
050A	0571016005		01
050B	0571016008		02
050C	0511011774	8,00 CHAIN 4 LINK	52
050D	0501011600	1/2" X 1-1/4" BOLT	27
050E	0511017302	FLAT WASHER	27
050F	0503010019	1/2" SPRING WASHER	27
050G	0503010020	1/2" NUT	27
050H	0501010942	3/8" X 1-1/4" BOLT	32
050I	0503010025	3/8" SPRING WHASHER	32
050J	0503010026	3/8" NUT	32
051	0501067540	ATTACHMENT BAR	01
052	0511047301	CARRYING WHEELS ASSY	02
053	0501043642	RUBBER WHEEL ASSY	02



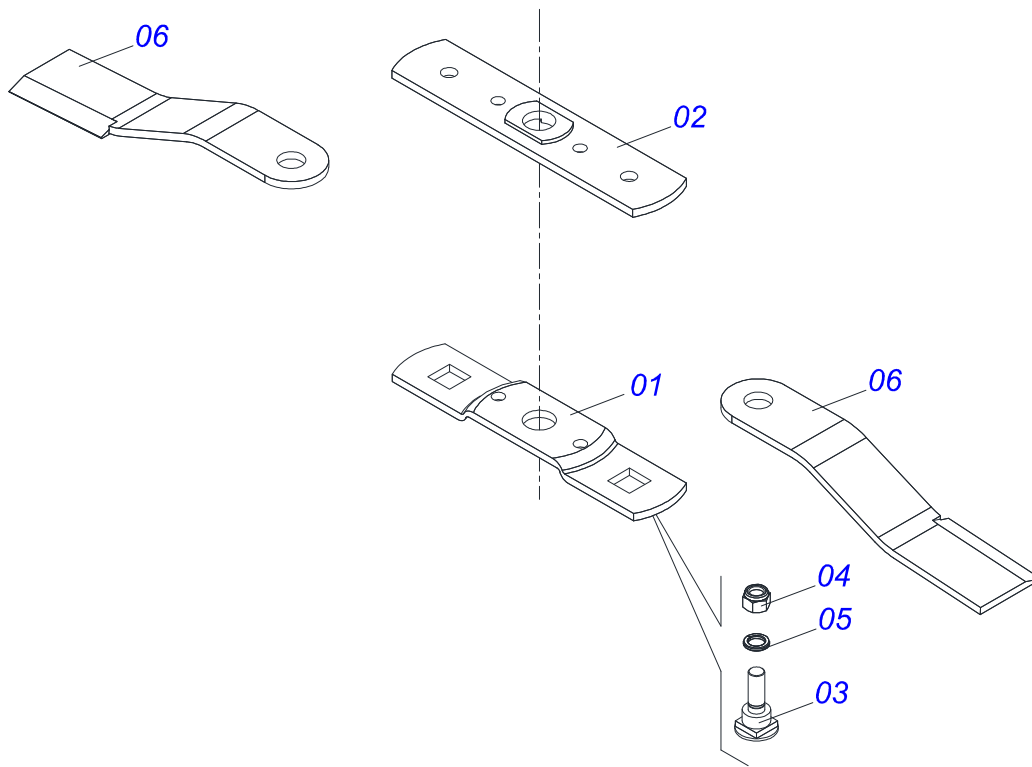
Item	Code	Description	QT
001	0521064923		01
002	0511043567	ROTARY CUTTERS HUB ASSY	01
003	0511043566	ROTARY CUTTERS HUB ASSY	01
004	0503013122	3/4" X 4-1/4" BOLT	08
005	0503011442	3/4" SPRING WASHER	08
006	0503010014	3/4" NUT	08
007	0561015762	FLAT WASHER	02
008	0503010817	1.1/4" UNF SELF ADJUSTING NUT	04
009	0501010536	0.4" X 1.7" KEYWAY SQUARE	08
010	0501056321	SUPPORT ROTARY CUTTER BLADES	02
011	0502012453	SUPPORT FLANGE	02
012	0503010901	3/4" X 3-1/2" BOLT	04
013	0503011442	3/4" SPRING WASHER	04
014	0503010014	3/4" NUT	08
015	0502011377	REEL 190 X 50 PULLEY	02
016	0501017779	FLAT WASHER	02



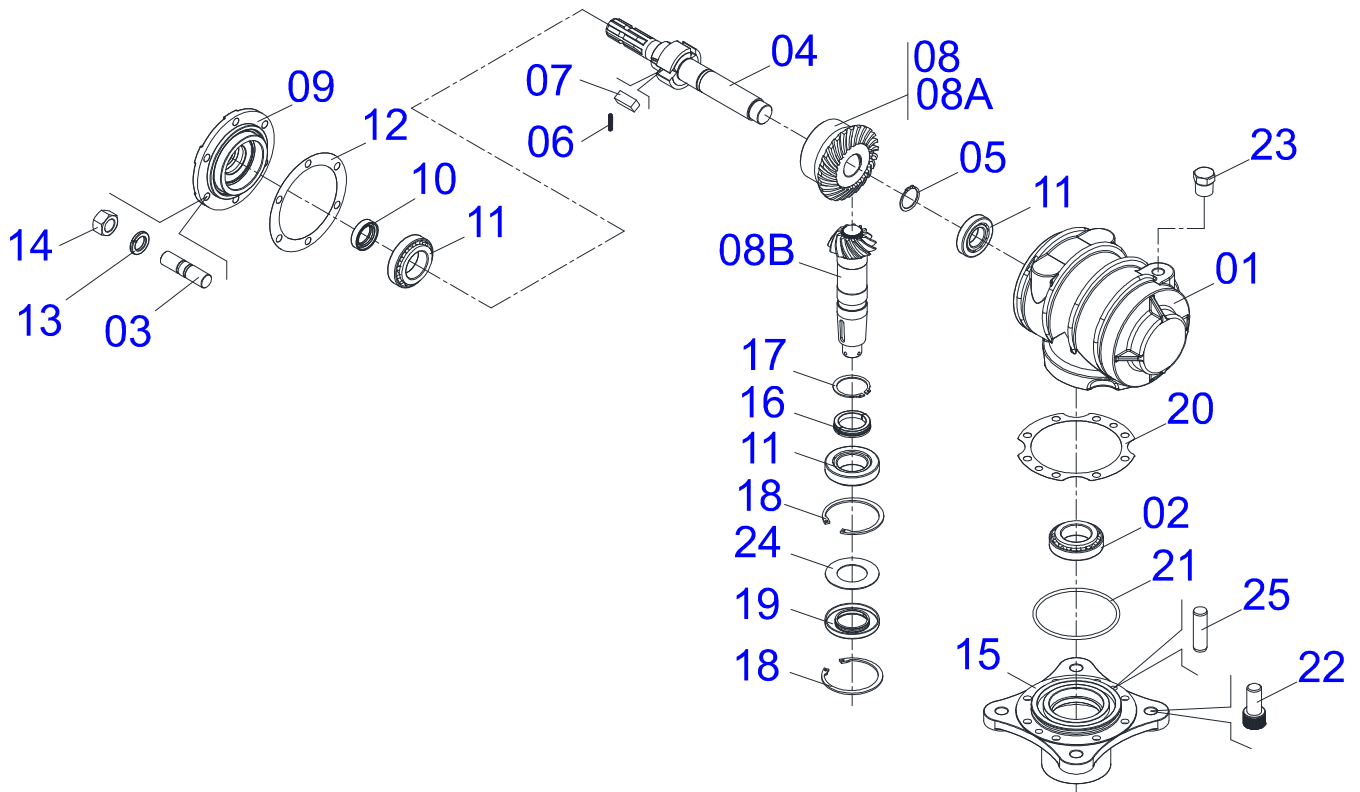
Item	Code	Description	
01	0502012294	DROP HUB	01
02	0503012418	32211 ROLLER BEARING	02
03	0541014095	ROTARY CUTTERS SMALLER AXLE	01
04	0503013201	ARCA 6016 BRG SEAL	01
05	0531019302	LOCK RING	01
06	0503012311	501065 RENO RING	01
07	0503013211	6016 BRG SEAL	01
08	0501019757	EXTENSION GREASE FITTING	01
09	0503010002	GREASE FITTING	01



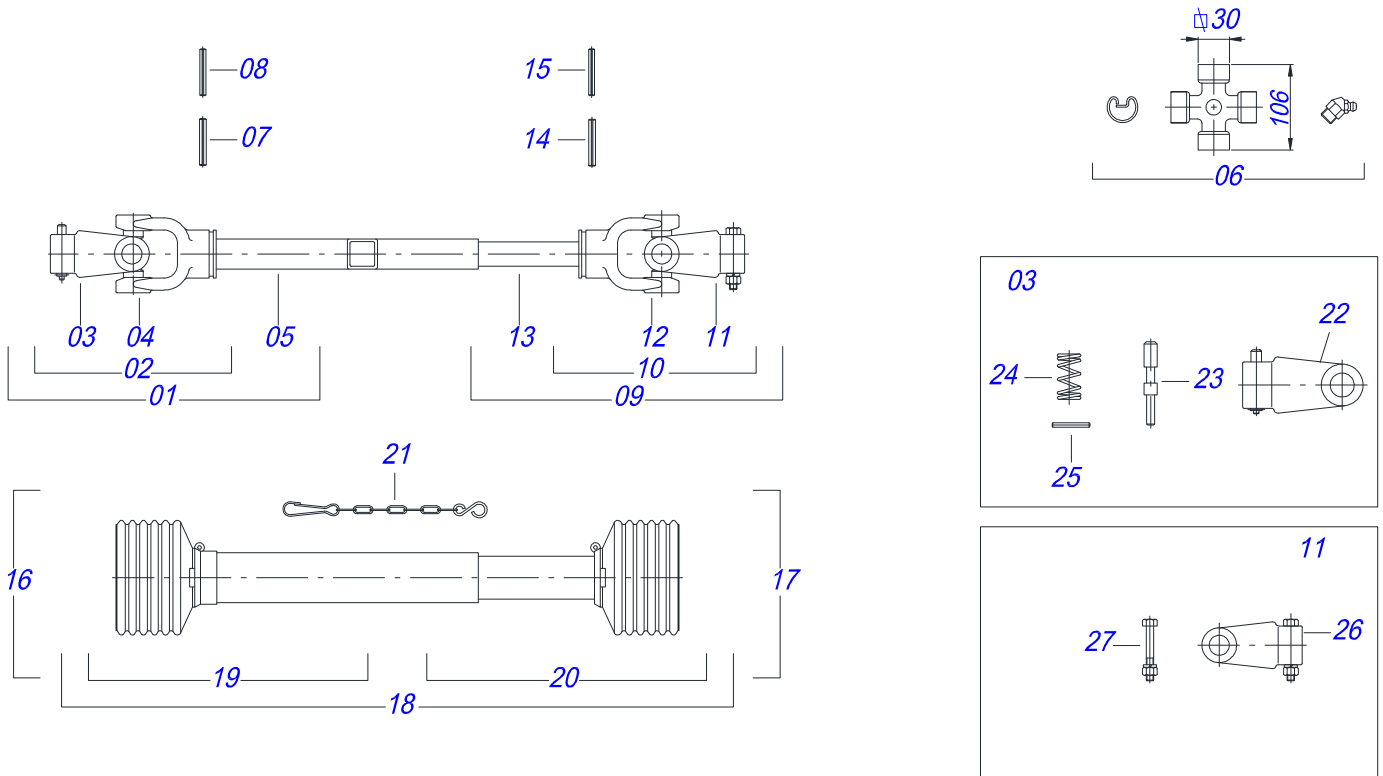
Item	Code	Description	
01	0502012295	ROTARY CUTTERS HUB	01
02	0503012418	32211 ROLLER BEARING	02
03	0541014094	LARGER AXLE	01
04	0503013201	ARCA 6016 BRG SEAL	01
05	0541014151	FLAT WASHER	01
06	0531019302	LOCK RING	01
07	0503012311	501065 RENO RING	01
08	0503013211	6016 BRG SEAL	01
09	0501019757	EXTENSION GREASE FITTING	02
10	0503010002	GREASE FITTING	02



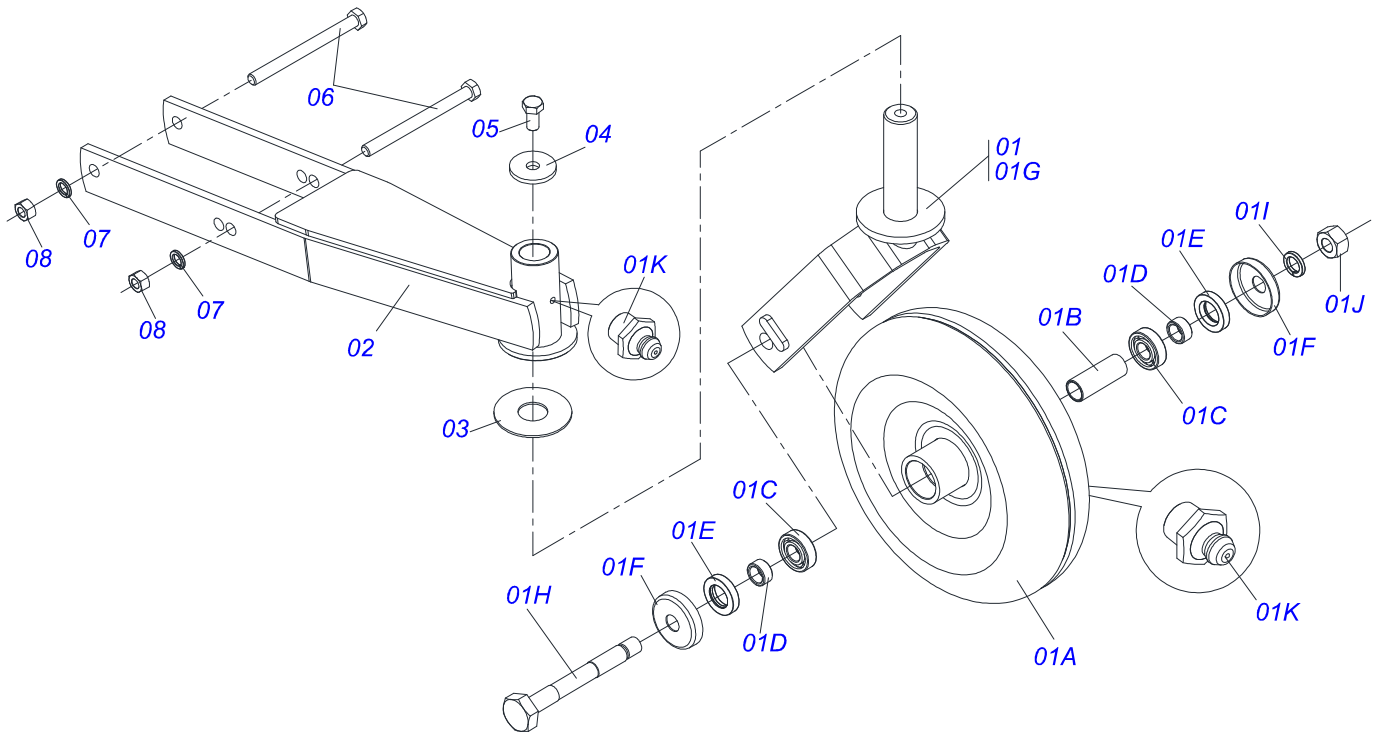
Item	Code	Description	QT
001	0561017368	ROTARY LOWER SUPPORT	01
002	0561017308	SUPPORT UPPER BASE	01
003	0511019000	BOLT	02
004	0503010812	7/8" UNF SELF ADJUSTING NUT	02
005	0503011447	7/8" SPRING WASHER	02
006	0622400054	24.5" X 3.94" X 0.5" ROTARY CUTTER	02



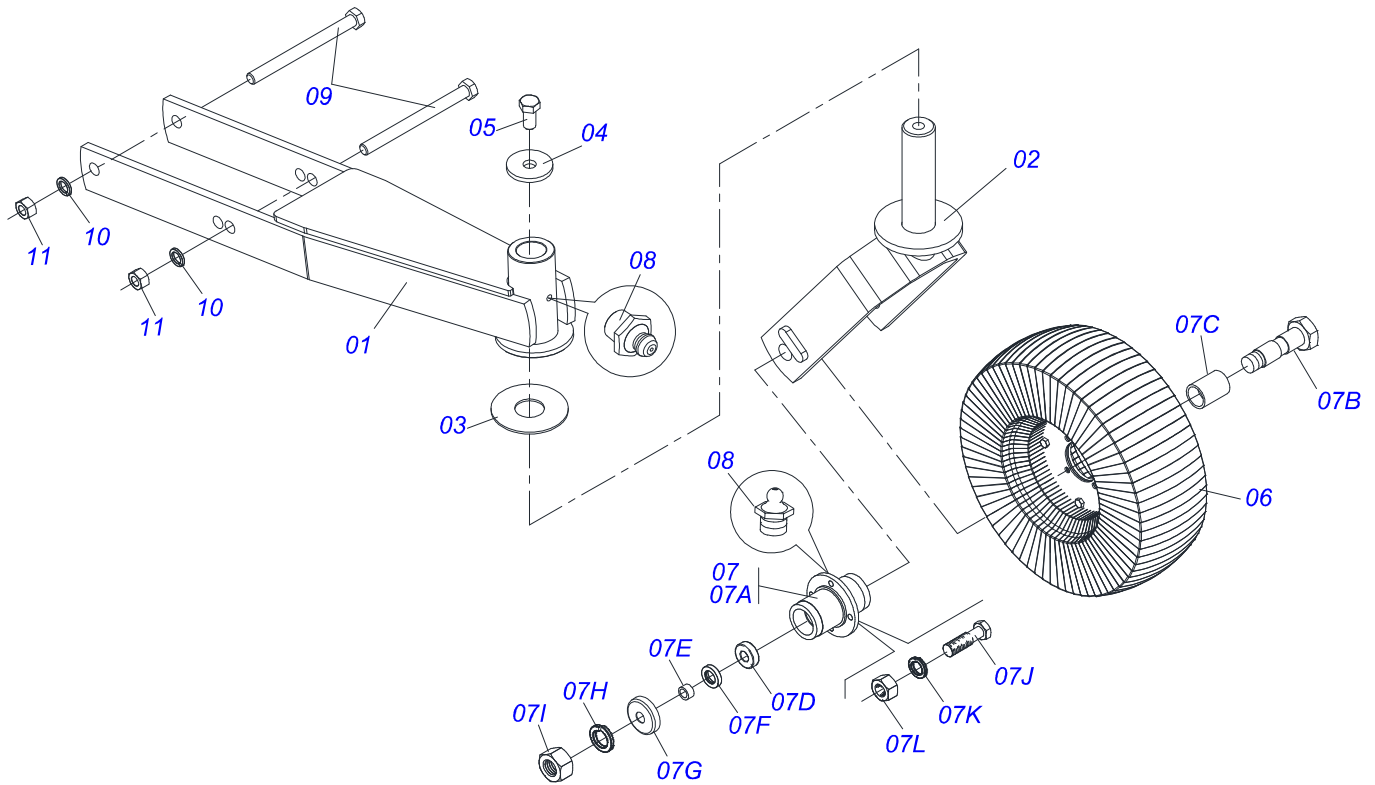
Item	Code	Description	
01	0502010984	LEFT MULTIPLIER BOX	01
02	0503010037	30207 ROLLER BEARING	01
03	0503030084	1/2" X 1/2" X 2.0" STUD	06
04	0503050063	UPPER AXLE	01
05	0503010217	501040 CLAMPING RING (FOR AXLE)	01
06	0503030051	0.2" X 1" X 0.1" COMPRESSION SPRING	06
07	0501010649	RATCHET CLICK	03
08	0503060210	CROWN PINION SET	01
08A	0503050074	25Z CONICAL GEAR	01
08B	0503061048	PINION	01
09	0502011152	SMALLER COVER	01
10	0503011171	00912-BRG SEAL	01
11	0503010006	32210 ROLLER BEARING	03
12	0503030783	7.1" X 5.3" X 0.008" JOINT	01
13	0503010019	1/2" SPRING WASHER	06
14	0503010028	1/2" NUT	06
15	0502011393	LOWER HUB	01
16	0511010142	LOCK RING	01
17	0503010396	501060 CLAMPING RING (FOR AXLE)	01
18	0503011190	502090 CLAMPING RING (FOR AXLE)	02
19	0503011047	5089 SEAL	01
20	0503030785	7.9" X 5.9" X 0.008" JOINT	01
21	0503010286	2-355 N 3006-9B O-RING	01
22	0503010562	1/2" X 1" BOLT	08
23	0503031604	1/2" BSP PLUG	01
24	0521018064	FLAT WASHER	01
25	0503017877	PIN GUIDE	02



Item	Code	Description	
01	0501051707	UNIVERSAL JOINT WITH SLEEVE	01
02	0501051708	UNIVERSAL JOINT	01
03	0501050334	1-60 TERMINAL WITH QUICK HITCH	01
04	0502011422	2-60 TERMINAL	01
05	0511010332	23" X 1.8" SQUARE SLEEVE	01
06	0503010837	CARDAN CROSSPIECE	02
07	0503010843	0.4" X 3.3" SPRING PIN	01
08	0503011878	0.2" X 3.3" SPRING PIN	01
09	0501051709	UNIVERSAL JOINT WITH SHAFT	01
10	0501051710	UNIVERSAL JOINT	01
11	0501052516	T6-60 TERMINAL WITH SCREW	01
12	0502011424	3-60 TERMINAL	01
13	0511010326	1.4" X 23" SQUARE SHAFT	01
14	0503011069	0.4" X 2.8" SPRING PIN	01
15	0503011805	0.2" X 2.8" SPRING PIN	01
16	0501051705	UNIVERSAL JOINT WITH SLEEVE/PROT	01
17	0501051706	UNIVERSAL JOINT WITH AXLE/PROT	01
18	0503012083	PROTECTION ASSY	01
19	0503012084	PROTECTION FOR UNIV JOINT AND SLEEV	01
20	0503012085	PROTECTION FOR UNIV JOINT AND AXLE	01
21	0503012023	CHAIN FOR UNIV JOINT PROTECTION	02
22	0502010568	1-60 STRIATED 1.3/8" TERMINAL	01
23	0521010638	0.5" X 3.3" QUIC HITCH COUPL SHAFT	01
24	0503030518	0.5"X1.0"X 0.1" COMPRESSION SPRING	01
25	0503010838	0.1" X 0.8" SPRING PIN	01
26	0502010830	6-60 STRIATED 1.3/8" TERMINAL	01
27	0501047759	1/2" X 3-1/2" BOLT ASSY	01



Item	Code	Description	
01	0501058460	CARRYING WHEELS	01
01A	0501063309	13.8" X 4.33" WHEEL ASSY	01
01B	0521010460	0.9" X 1.1" X 2.9" SLEEVE	01
01C	0503010269	6204 BALL BEARING	02
01D	0521010487	SPACER WASHER	02
01E	0503010268	00262-B SEAL	02
01F	0511014254	DUST CLOAK	02
01G	0501065266	WHELL FORK	01
01H	0501017143	WHEEL AXLE	01
01I	0503010023	3/4" SPRING WASHER	01
01J	0503010014	3/4" NUT	01
01K	0503010002	GREASE FITTING	02
02	0501069375	WHEEL SUPPORT	01
03	0511013239	FLAT WASHER	01
04	0511010721	FLAT WASHER	01
05	0503010962	5/8" X 1-1/4" BOLT	01
06	0503010795	5/8" X 7" BOLT	02
07	0503010027	5/8" SPRING WASHER	02
08	0503010013	5/8" NUT	02



Item	Code	Description	
01	0501069375	WHEEL SUPPORT	01
02	0501065266	WHELL FORK	01
03	0511013239	FLAT WASHER	01
04	0511010721	FLAT WASHER	01
05	0503010962	5/8" X 1-1/4" BOLT	01
06	0501050433	TIRE WHELL	01
07	0501051587	WHEELS BOX ASSY	01
07A	0502011286	WHEELS BOX ASSY	01
07B	0501017143	WHEEL AXLE	01
07C	0521010460	0.9" X 1.1" X 2.9" SLEEVE	01
07D	0503010269	6204 BALL BEARING	02
07E	0521010487	SPACER WASHER	02
07F	0503010268	00262-B SEAL	02
07G	0511014254	DUST CLOAK	01
07H	0503010023	3/4" SPRING WASHER	01
07I	0503010014	3/4" NUT	04
07J	0501010080	3/8" X 1-1/2" BOLT	04
07K	0503010025	3/8" SPRING WHASHER	04
07L	0503010026	3/8" NUT	02
08	0503010002	GREASE FITTING	01
09	0503010795	5/8" X 7" BOLT	02
10	0503010027	5/8" SPRING WASHER	02
11	0503010013	5/8" NUT	02



email: civemasa@civemasa.com.br

www.civemasa.com.br

Phone: +55 16.3382.8222

Fax: +55 16.3382.8355

MARCHESAN IMPLEMENTOS E MÁQUINAS AGRÍCOLAS "TATU" S.A.

Av. Marchesan, 1979 - Post Office box, 131 - Cep 15994-900 - Matão - Sp - Brasil

CNPJ 52.311.289/0001-63 | Inst. Est.441.000.151.114

Drafting and Illustration = GASPARI
e.mail = jgaspari@marchesan.com.br

**ORIGINAIS PARTS
CIVEMASA**

The Civemasa logo, identical to the one at the top of the page, is positioned at the bottom right of the page. It features the word "civemasa" in a bold, italicized, lowercase sans-serif font, with three vertical bars above the letters "i", "v", and "e" in orange, green, and orange colors.