

PARTS CATALOGUE

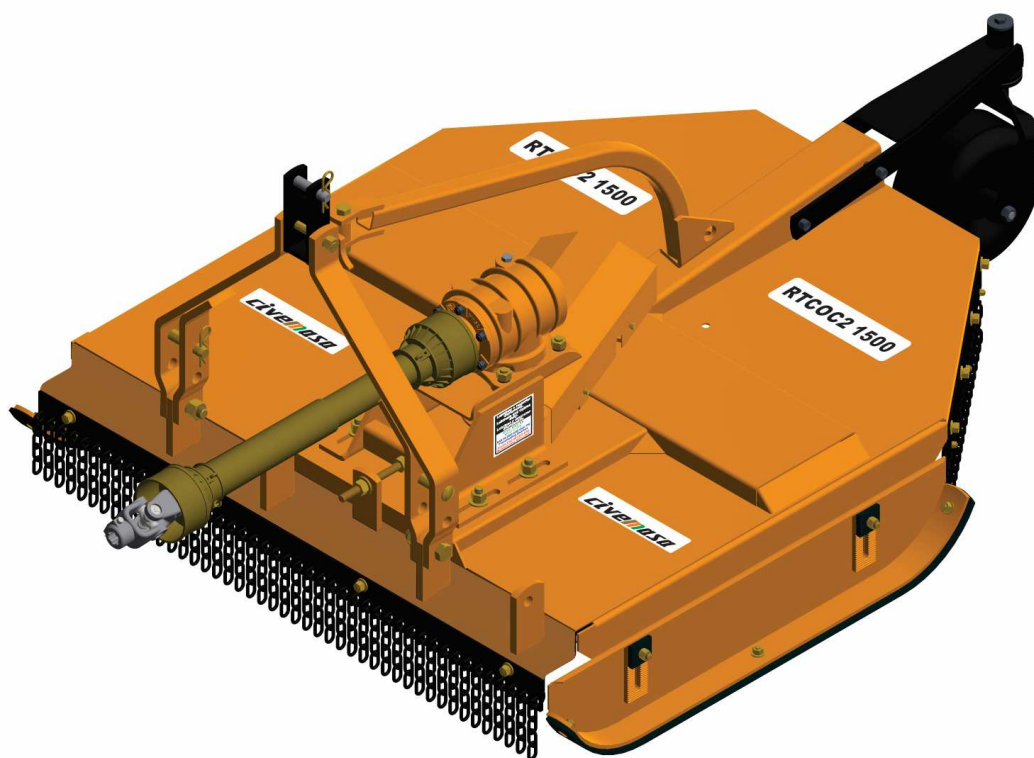
ROTARY CUTTERS

Code:

0501091624

Product:

RTCOC2 1500



Series:

S-0214

Revision:

00

Revision Date:


MAIO/2016

PRODUCTS

Code	Description
0121530016	RTCOC2 1500 C/R C/PROT CORR S-0214
0121530017	RTCOC2 1500 C/R S/PROT EXP S-0214
0121530017C	RTCOC2 1500 C/R S/PROT EXP S-0214

ATTENTION: IMPORTANT

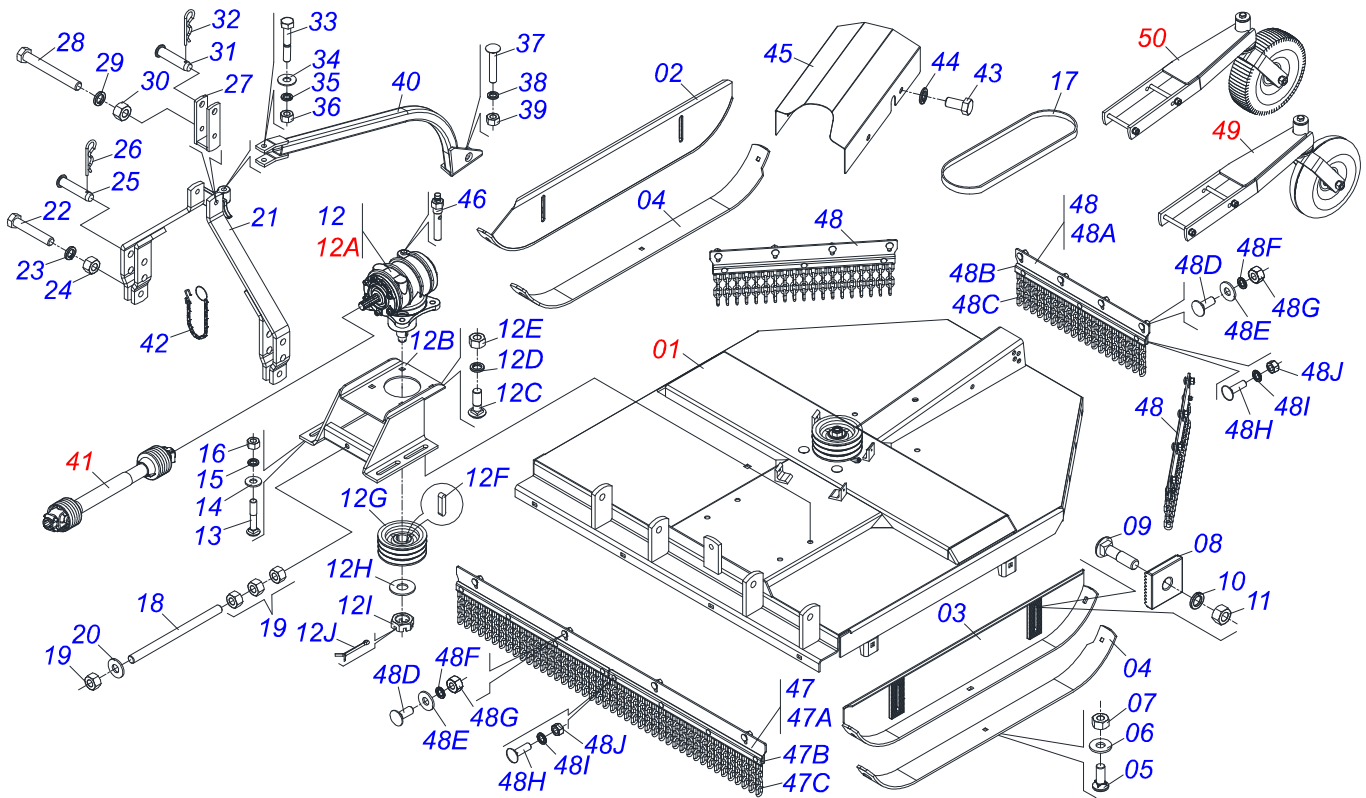
Civemasa reserves the right to improve and / or modify the technical features of its products, without obligation to do the same with those products already sold and without prior knowledge of the dealer or the consumer.





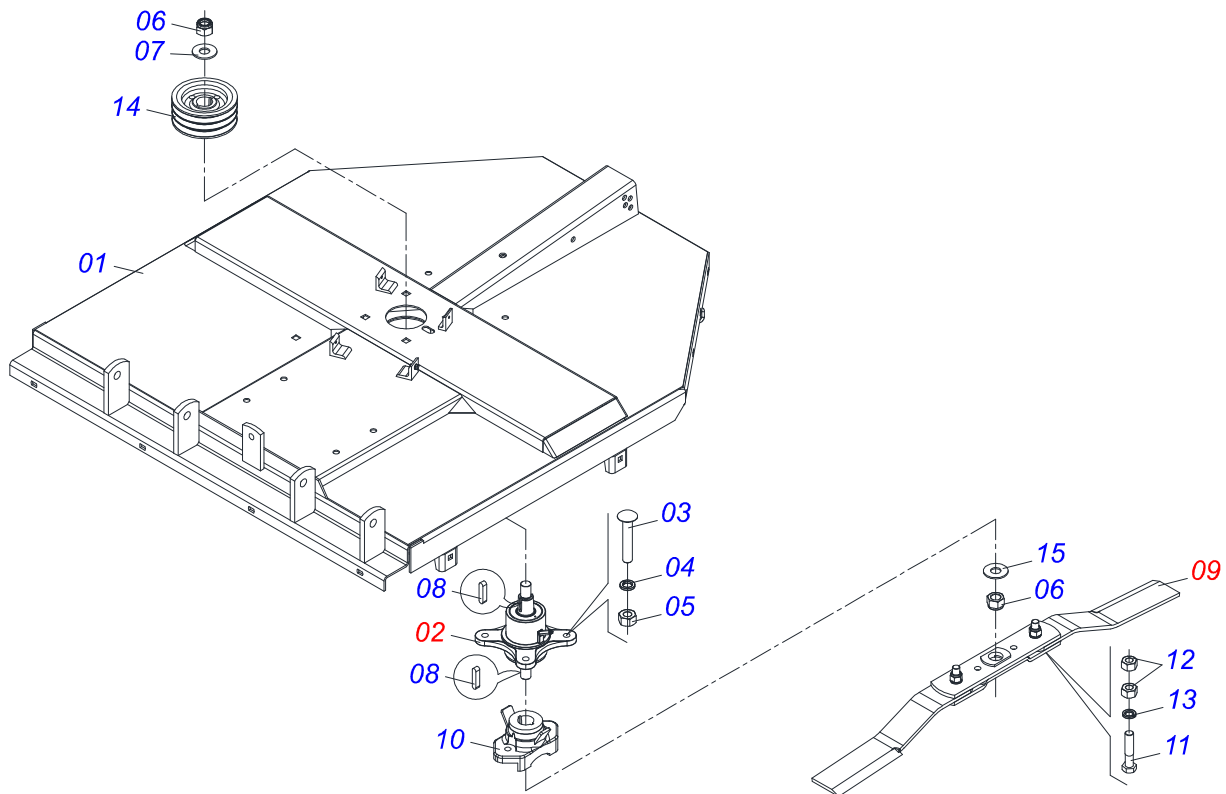
INDEX

0909094332	FRAME ASSY	1
0511056705	SEMIFINISHED FRAME	2
0501056321	SUPPORT ROTARY CUTTER BLADES	3
0511043567	ROTARY CUTTERS HUB ASSY	4
0501046851	MULTIPLIER	5
0501047946	DRIVE SHAFT	6
0511047301	CARRYING WHEELS ASSY	7
0501043642	RUBBER WHEEL ASSY	8

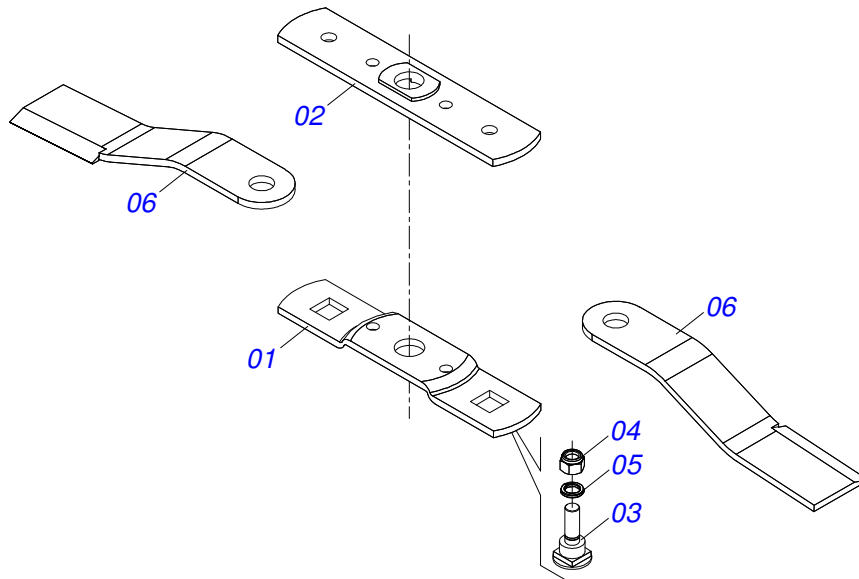


Item	Code	Description	See page	QT
01	0511056705	SEMI-FINISHED FRAME	2	01
02	0521066191	SKATE 1270 RO2 1700		01
03	0511064764	50"RIGHT SKID		01
04	0531019433	SKID GUIDE		02
05	0503012956	1/2" X 1-1/2" BOLT		06
06	0503010020	1/2"NUT		06
07	0511017302	FLAT WASHER		06
08	0502010083	SQUARE WASHER		04
09	0501014177	5/8" X 2-1/2" BOLT		04
10	0503010027	5/8" SPRING WASHER		04
11	0503010013	5/8" NUT		04
12	0501050966	MULTIPLIER ASSY		01
12A	0501046851	MULTIPLIER	5	01
12B	0521066194	REDUCTOR SUPPORT		01
12C	0501017305	3/4" X 2-1/4" BOLT		04
12D	0503011442	3/4" SPRING WASHER		04
12E	0503010014	3/4" NUT		04
12F	0501010536	KEYWAY SQUARE		02
12G	0502011377	REEL 190 X 50 PULLEY		01
12H	0561015762	FLAT WASHER		01
12I	0503811052	1.1/4 UNF X 19.5 SA CASTLE NUT		01
12J	0503010131	3/16" X 1-1/2" COTTERPIN		01
13	0501010162	3/4" X 4" BOLT		04
14	0501010322	FLAT WASHER		04
15	0503010023	3/4" SPRING WASHER		04
16	0503010014	3/4" NUT		04
17	0503010153	C-51 BELT		03
18	0501013451	282 TENSIONER BODY		01
19	0503010014	3/4" NUT		04
20	0501010322	FLAT WASHER		01
21	0501067832	DRAWBAR		01

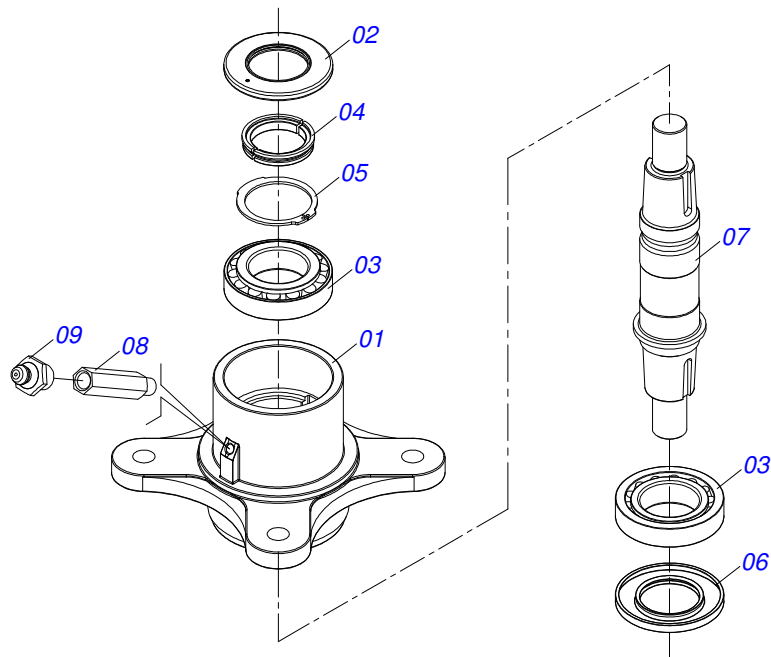
Item	Code	Description	See page	QT
22	0503011432	BOLT		02
23	0503010012	1" SPRING WASHER		02
24	0501010059	1.5/8 NUT		02
25	0521010596	COUPLING SHAFT		02
26	0503031035	HAIR PIN		02
27	0501066445	PIVOT DOUBLE BAR		01
28	0503011198	C3/4" X 6" SCREW		01
29	0503010023	3/4" SPRING WASHER		01
30	0503010014	3/4" NUT		01
31	0521010578	COUPLING SHAFT		01
32	0503031035	HAIR PIN		01
33	0501010216	3/4" X 4-1/2" BOLT		01
34	0501010322	FLAT WASHER		01
35	0503010023	3/4" SPRING WASHER		01
36	0503010014	3/4" NUT		01
37	0501017305	3/4" X 2-1/4" BOLT		01
38	0503010023	3/4" SPRING WASHER		01
39	0503010014	3/4" NUT		01
40	0521065849	ATTACHMENT BAR		01
41	0501047946	DRIVE SHAFT	6	01
42	0503011981	17.7" CHAIN WITH HOOK/LINK		01
43	0503010256	3/8" X 3/4" BOLT		04
44	0503010025	3/8" SPRING WASHER		04
45	0521066331	PROTECTION COVER OF THE BELT		01
46	0501110186	OIL SMALLER LEVEL INDICATOR		01
47	0511056593	CHAIN PROTECTION		01
47A	0571017657	CHAIN PROTECTION BODY		01
47B	0571017658	PROTECTION CLAW		02
47C	0511011774	8,00 CHAIN 4 LINK		44
48	0511056592	CHAIN PROTECTION		03
48A	0571017654	CHAIN PROTECTION BODY		03
48B	0571017653	PROTECTION CLAW		03
48C	0511011774	8,00 CHAIN 4 LINK		57
48D	0501011600	1/2" X 1-1/4" BOLT		16
48E	0511017302	FLAT WASHER		16
48F	0503010019	1/2" SPRING WASHER		16
48G	0503010020	1/2"NUT		16
48H	0501010942	3/8" X 1-1/4" BOLT		17
48I	0503010025	3/8" SPRING WASHER		17
48J	0503010026	3/8" NUT		17
49	0511047301	CARRYING WHEELS ASSY	7	01
50	0501043642	RUBBER WHEEL ASSY	8	01



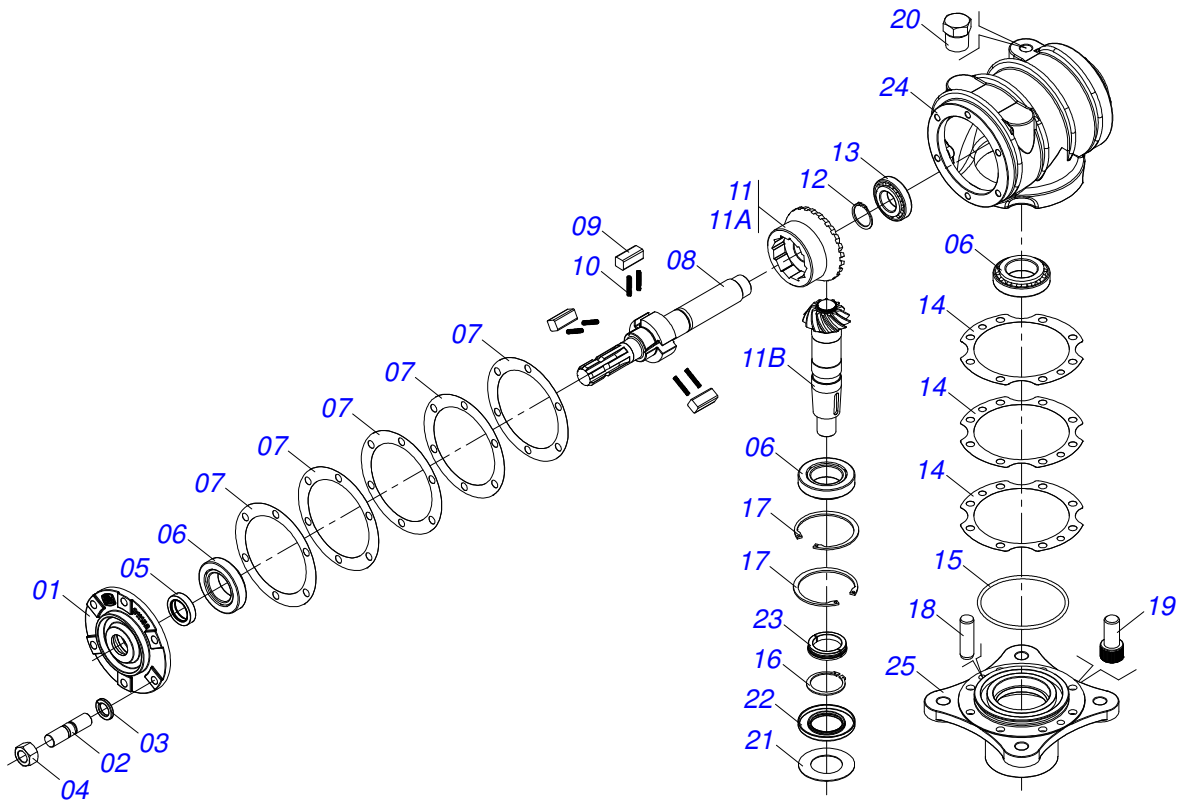
Item	Code	Description	See page	QT
001	0521065596	FRAME		01
002	0511043567	ROTARY CUTTERS HUB ASSY	4	01
003	0503013122	3/4" X 4-1/4" BOLT		04
004	0503011442	3/4" SPRING WASHER		04
005	0503010014	3/4" NUT		04
006	0503010817	1.1/4" SELF LOCKING NUT		02
007	0561015762	FLAT WASHER		01
008	0501010536	KEYWAY SQUARE		04
009	0501056321	SUPPORT ROTARY CUTTER BLADES	3	01
010	0502012453	SUPPORT FLANGE		01
011	0503010901	3/4UNC 3.1/2 BOLT		02
012	0503010014	3/4" NUT		04
013	0503011442	3/4" SPRING WASHER		02
014	0502011377	REEL 190 X 50 PULLEY		01
015	0501017779	32 X 60 X 4.75 FLAT WASHER		01



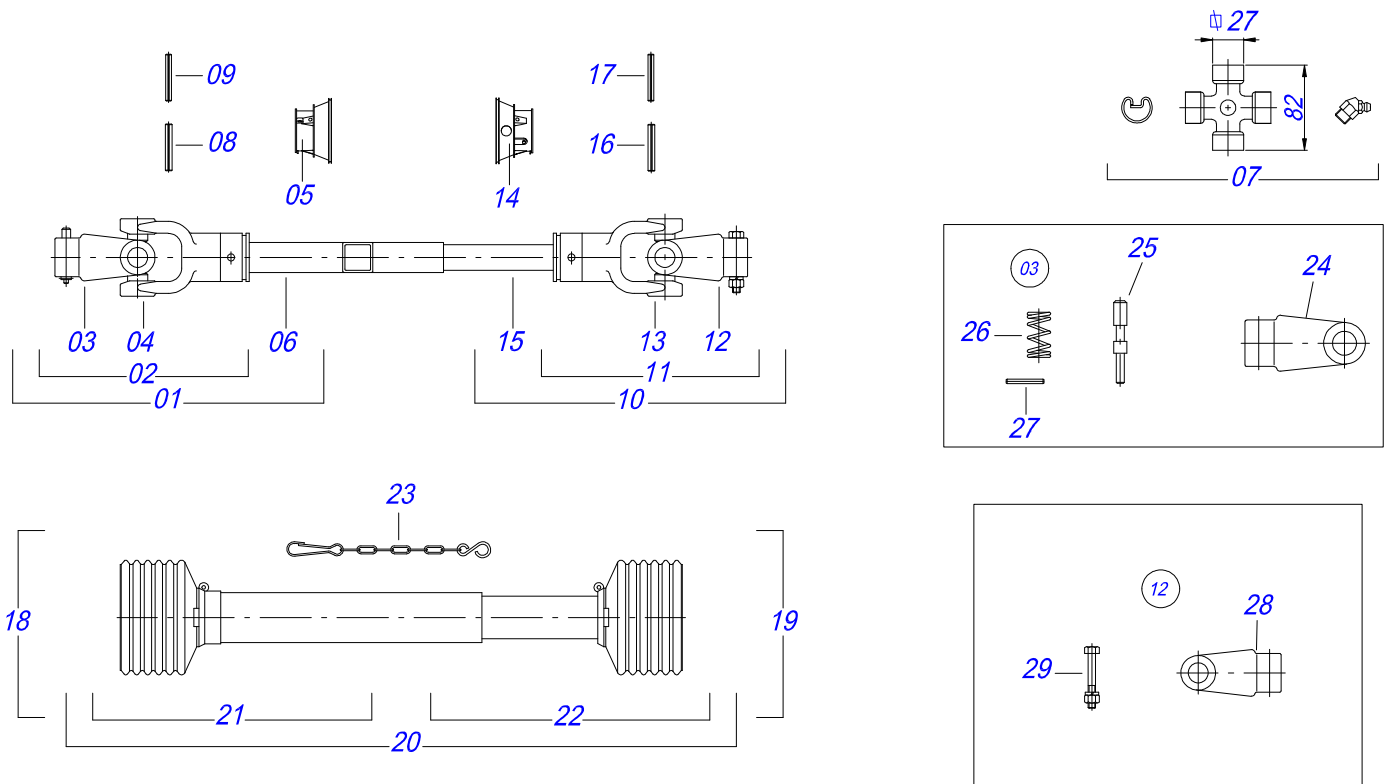
Item	Code	Description	See page	QT
01	0561017368	ROTARY LOWER SUPPORT		01
02	0561017308	SUPPORT UPPER BASE		01
03	0511019000	BOLT		02
04	0503010812	7/8" UNF SELF LOCKING NUT		02
05	0503011447	SPRING WASHER		02
06	0622400054	24.5" X 3.94" X 0.5" ROTARY CUTTER		02



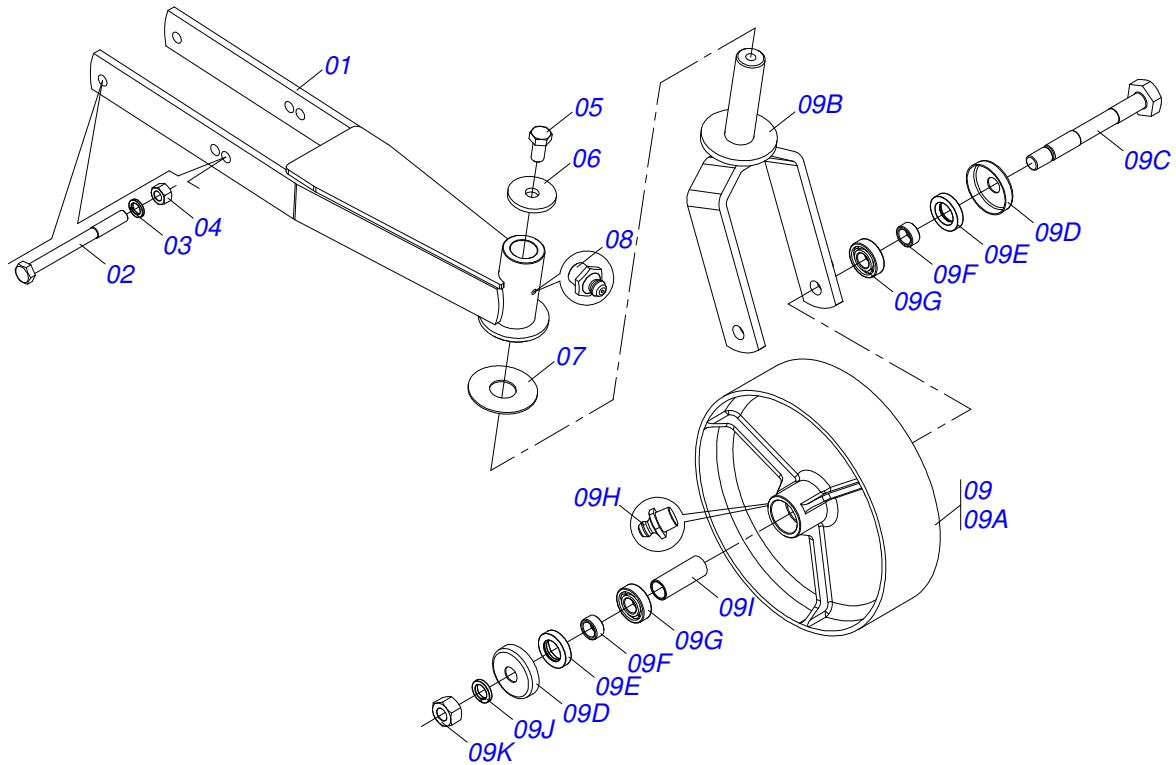
Item	Code	Description	See page	QT
01	0502012294	DROP HUB		01
02	0503013201	ARCA 6016 BRG SEAL		01
03	0503012418	32211 ROLLER BEARING		02
04	0541014445	LOCK RING		01
05	0503012311	501065 RENO RING		01
06	0503013211	6016 BRG SEAL		01
07	0541014095	ROTARY CUTTERS SMALLER AXLE		01
08	0501019757	EXTENSION GREASE FITTING		01
09	0503010002	1800 GREASE FITTING		01



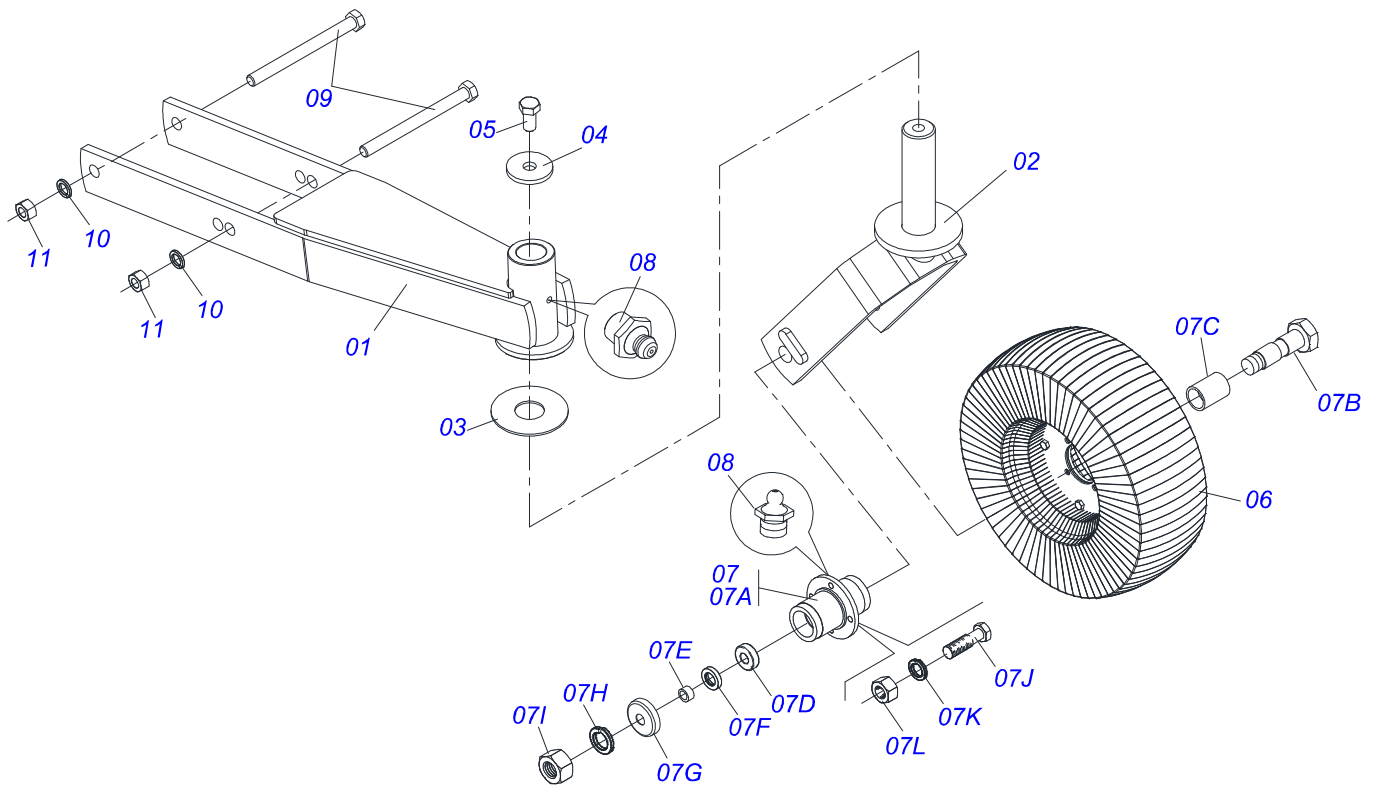
Item	Code	Description	See page	QT
01	0502011152	SMALLER COVER		01
02	0503030084	1/2" X 1/2" X 2.0" STUD		06
03	0503011440	SPRING WASHER		06
04	0503010028	1/2" NUT		06
05	0503011171	00912-BRG SEAL		01
06	0503010006	32210 ROLLER BEARING		03
07	0503030783	7.1" X 5.3" X 0.008" JOINT		05
08	0503050063	UPPER AXLE		01
09	0501010649	RATCHET CLICK		03
10	0503030051	0.2" X 1" X 0.1" COMPRESSION SPRING		06
11	0503060210	CROWN PINION SET		01
11A	0503050074	25Z CONICAL GEAR		01
11B	0503061048	PINION		01
12	0503010217	501040 CLAMPING RING (FOR AXLE)		01
13	0503010037	30207 ROLLER BEARING		01
14	0503030785	7.9" X 5.9" X 0.008" JOINT		03
15	0503010286	2-355 N 3006-9B O-RING		01
16	0503010396	501060 CLAMPING RING (FOR AXLE)		01
17	0503011190	SEAL RING		02
18	0503017877	PIN GUIDE		02
19	0503010562	1/2" X 1" BOLT		08
20	0503031604	1/2" BSP PLUG		01
21	0521018064	FLAT WASHER		01
22	0503011047	5089 SEAL		01
23	0511010142	LOCK RING		01
24	0502010984	LEFT MULTIPLIER BOX		01
25	0502011393	LOWER HUB		01



Item	Code	Description	See page	QT
01	0501050270	UNIVERSAL JOINT WITH SLEEVE		01
02	0501050265	UNIVERSAL JOINT		01
03	0501050333	1-40 TERMINAL WITH HITCH		01
04	0502010565	2-40 TERMINAL W/ SH 1.5"/1.5"		01
05	0503012069	ADAPTER FOR BUSHING PROTECT		01
06	0501017427	20" X 1.5" SQUARE SLEEVE		01
07	0503010836	CARDAN CROSSPIECE		02
08	0503011069	0.4" X 2.8" SPRING PIN		01
09	0503010510	0.2" X 2.6" SPRING PIN		01
10	0501050867	UNIVERSAL JOINT WITH SHAFT		01
11	0501050449	UNIVERSAL JOINT		01
12	0501052526	T8-40 TERMINAL WITH SCREW		01
13	0502010566	3-40 TERMINAL WITH SH 1.2"/1.2"		01
14	0503012070	ADAPTER FOR AXLE PROTECTION		01
15	0501017423	1.2" X 19.6" SQUARE SHAFT		01
16	0503010361	SPRING PIN		01
17	0503010756	0.2" X 2.4" SPRING PIN		01
18	0501051694	UNIVERSAL JOINT WITH SLEEVE/PROT		01
19	0501051695	UNIVERSAL JOINT WITH AXLE/PROT		01
20	0503012066	PROTECTION ASSY		01
21	0503012067	PROTECTION FOR UNIV JOINT AND SLEEV		01
22	0503012068	PROTECTION FOR UNIV JOINT AND AXLE		01
23	0503012023	CHAIN FOR PROTECTION		02
24	0502010563	1-40 STRIATED 1.3/8" TERMINAL		01
25	0521010638	0.5" X 3.3" QUIC HITCH COUPL SHAFT		01
26	0503030518	0.5"X1.0"X 0.1" COMPRESSION SPRING		01
27	0503010838	0.1" X 0.8" SPRING PIN		01
28	0502010876	8-40 STRIATED 1.3/8 TERMINAL		01
29	0501047756	1/2" X 3" SET PARTS		



Item	Code	Description	See page	QT
01	0521065281	WHEEL SUPPORT	01	
02	0503010795	5/8" X 7" BOLT	02	
03	0503010027	5/8" SPRING WASHER	02	
04	0503010013	5/8" NUT	02	
05	0503010962	5/8" X 1-1/4" BOLT	01	
06	0511010721	FLAT WASHER	01	
07	0511013239	FLAT WASHER	01	
08	0503010002	1800 GREASE FITTING	01	
09	0501058460	CARRYING WHEELS	01	
09A	0502012519	350 X 100 WHEEL ASSY	01	
09B	0501065266	WHELL FORK	01	
09C	0501017143	WHEEL AXLE	01	
09D	0511014254	DUST CLOAK	02	
09E	0503010268	00262-B SEAL	02	
09F	0521010487	SPACER WASHER	02	
09G	0503010269	6204 BALL BEARING	02	
09H	0503010002	1800 GREASE FITTING	01	
09I	0521010460	0.9" X 1.1" X 2.9" SLEEVE	01	
09J	0503011442	3/4" SPRING WASHER	01	
09K	0503010014	3/4" NUT	01	



Item	Code	Description	See page	QT
01	0501069375	WHEEL SUPPORT		01
02	0501065266	WHELL FORK		01
03	0511013239	FLAT WASHER		01
04	0511010721	FLAT WASHER		01
05	0503010962	5/8" X 1-1/4" BOLT		01
06	0501050433	TIRE WHELL		01
07	0501051587	WHEELS BOX ASSY		01
07A	0502011286	WHEELS BOX ASSY		01
07B	0501017143	WHEEL AXLE		01
07C	0521010460	0.9" X 1.1" X 2.9" SLEEVE		01
07D	0503010269	6204 BALL BEARING		02
07E	0521010487	SPACER WASHER		02
07F	0503010268	00262-B SEAL		02
07G	0511014254	DUST CLOAK		01
07H	0503010023	3/4" SPRING WASHER		01
07I	0503010014	3/4" NUT		04
07J	0501010080	3/8" BOLT		04
07K	0503010025	3/8" SPRING WASHER		04
07L	0503010026	3/8" NUT		02
08	0503010002	1800 GREASE FITTING		01
09	0503010795	5/8" X 7" BOLT		02
10	0503010027	5/8" SPRING WASHER		02
11	0503010013	5/8" NUT		02



CIVEMASA

www.civemasa.com.br



Technical Publications | Elaboration and Revision

ALESSANDRA PATRICIA KAWAHARA CARRILI