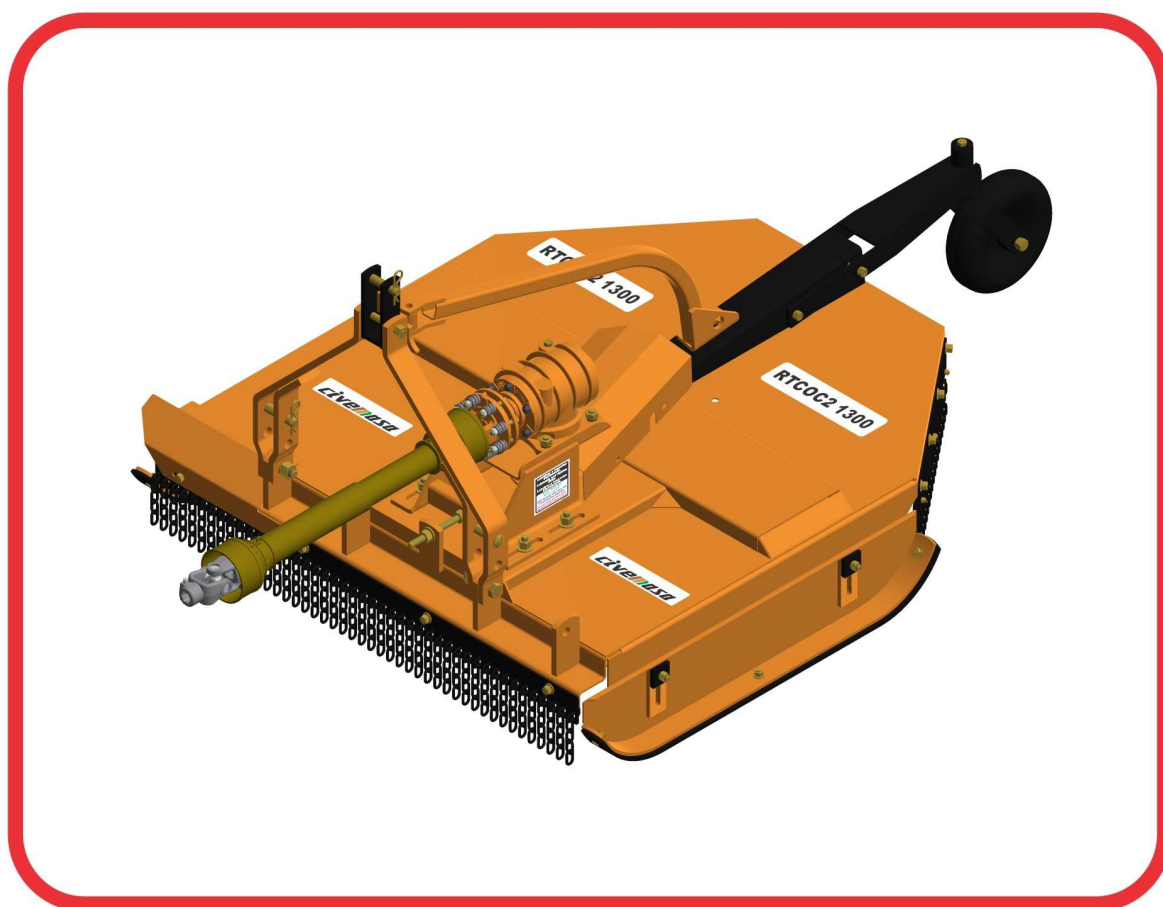


PARTS CATALOGUE

ROTARY COTTERS

RTCOC2 1300

Code: 0501091623



Series: S-0214

Review: MAIO/2016

ORIGINAL PARTS
CIVEMASA

civemasa

PRODUCTS

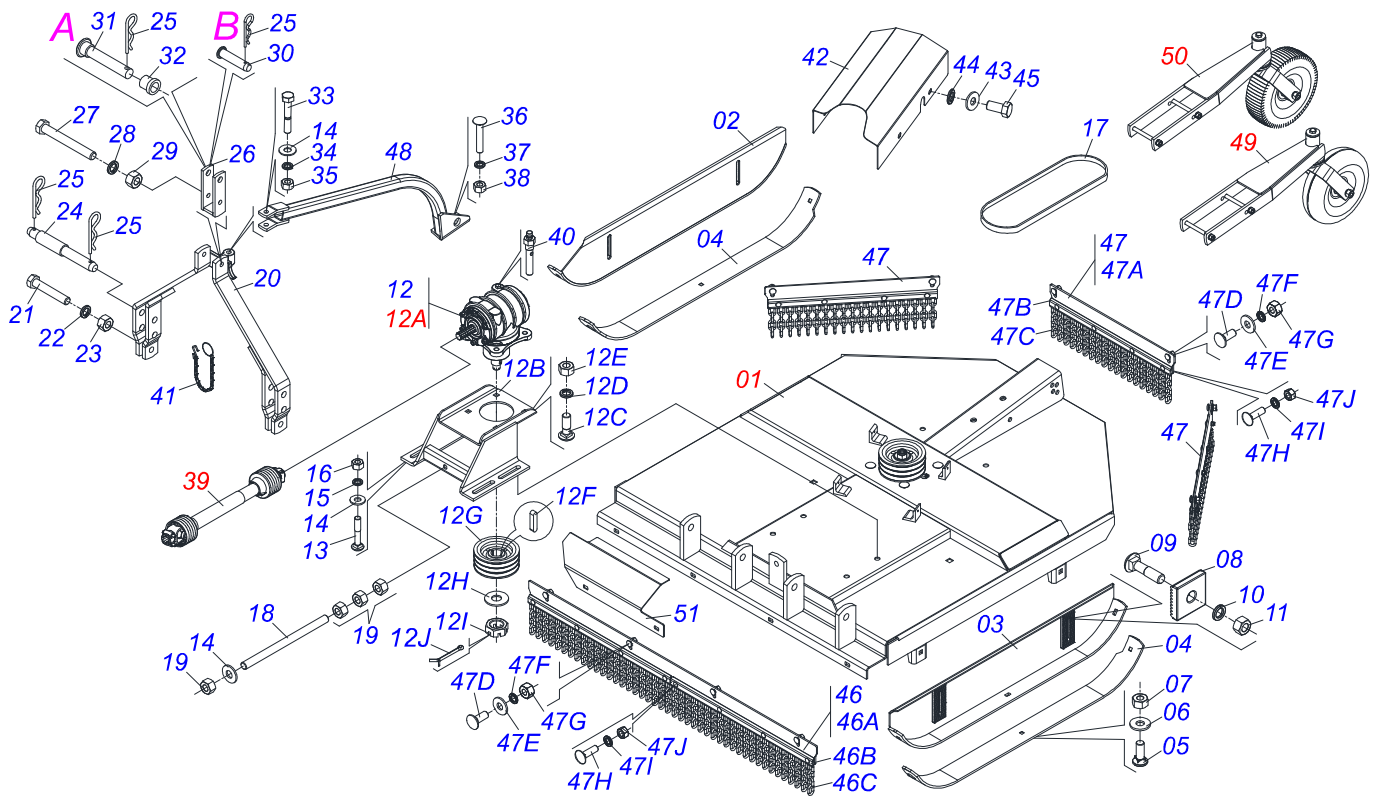
Code	Description
0121530006	RTCOC2 1300 C/R C/PROT CORR S-0214
0121530007	RTCOC2 1300 S/R C/PROT CORR S-0214

ATTENTION: *IMPORTANT*

CIVEMASA RESERVES THE RIGHT AT ANY TIME TO MAKE IMPROVEMENTS IN THE DESIGN, MATERIAL OR SPECIFICATIONS OF MACHINERY, EQUIPMENT OR PARTS WITHOUT THEREBY BECOMING LIABLE TO MAKE SIMILAR CHANGES IN MACHINERY, EQUIPMENT OR PARTS PREVIOUSLY SOLD.

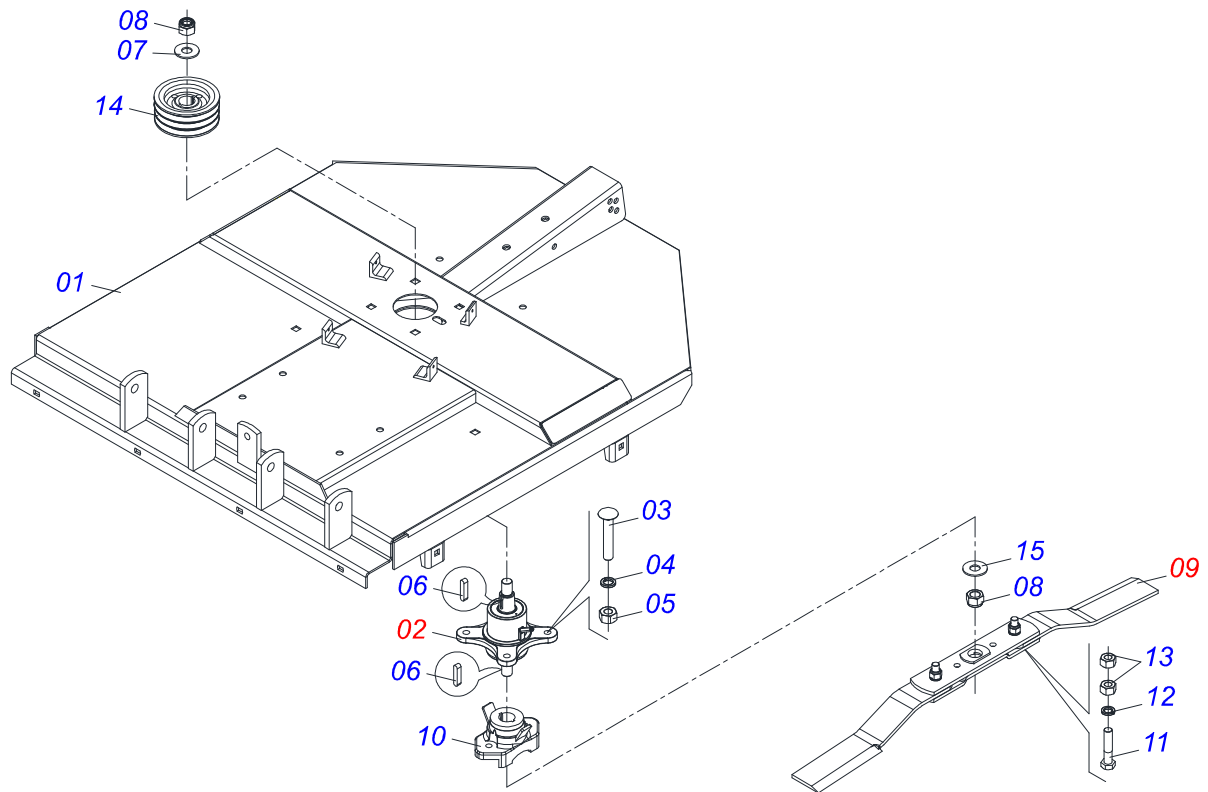
INDEX

0909093273	FRAME ASSY	1
0511054761	SEMIFINISHED FRAME	2
0501056322	SUPPORT ROTARY CUTTER BLADES	3
0511043567	ROTARY CUTTERS HUB ASSY	4
0501046851	MULTIPLIER	5
0501047946	DRIVE SHAFT	6
0511047301	CARRYING WHEELS ASSY	7
0501043642	RUBBER WHEEL ASSY	8

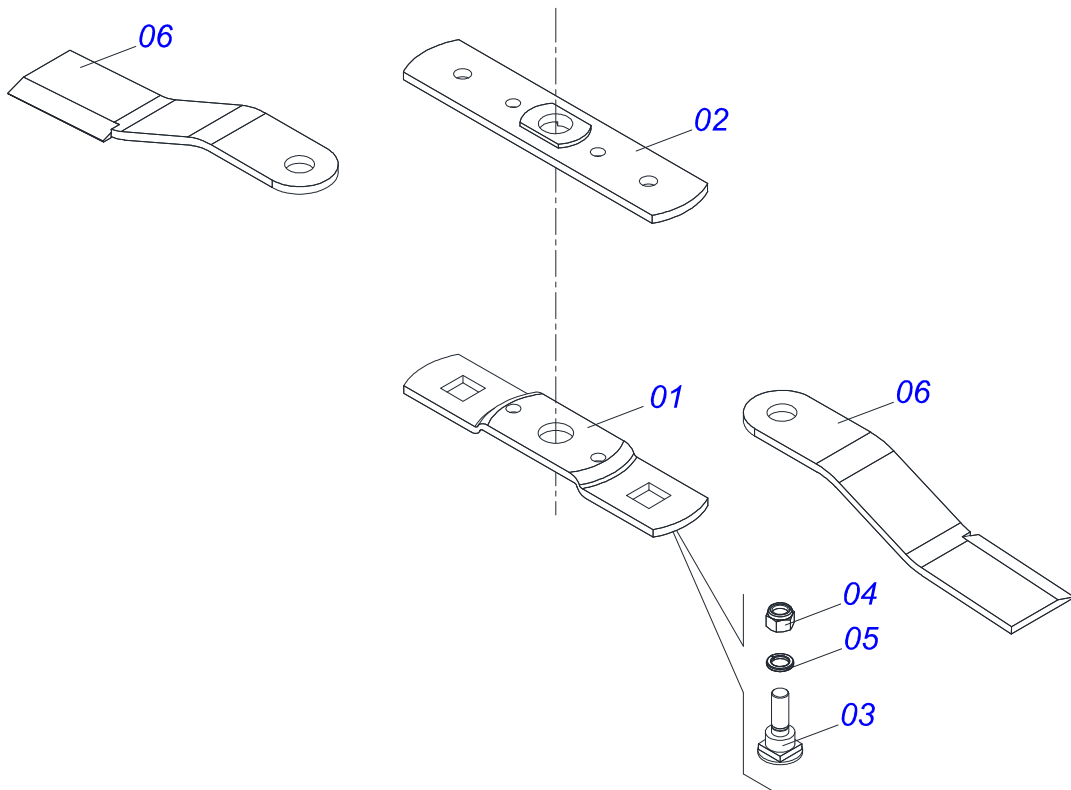


Item	Code	Description	QT
001	0511054761	SEMI-FINISHED FRAME	01
002	0521066191	SKATE 1270 RO2 1700	01
003	0511064764	50"RIGHT SKID	01
004	0531019433	SKID GUIDE	02
005	0503012956	1/2" X 1-1/2" BOLT	06
006	0503010020	1/2" NUT	06
007	0511017302	FLAT WASHER	06
008	0502010083	SQUARE WASHER	04
009	0501014177	5/8" X 2-1/2" BOLT	04
010	0503010027	5/8" SPRING WASHER	04
011	0503010013	5/8" NUT	04
012	0501050966	MULTIPLIER ASSY	01
012A	0501046851	MULTIPLIER	01
012B	0501067539	MULTIPLIER SUPPORT	01
012C	0501017305	3/4" X 2-1/4" BOLT	04
012D	0503011442	3/4" SPRING WASHER	04
012E	0503010014	3/4" NUT	04
012F	0501010536	0.4" X 1.7" KEYWAY SQUARE	02
012G	0502011377	REEL 190 X 50 PULLEY	01
012H	0561015762	FLAT WASHER	01
012I	0503811052		01
012J	0503010131	3/16" X 1-1/2" COTTERPIN	01
013	0501010162	3/4" X 4" BOLT	04
014	0501010322	FLAT WASHER	06
015	0503010023	3/4" SPRING WASHER	04
016	0503010014	3/4" NUT	04
017	0503010153	C-51 BELT	03
018	0501013451	282 TENSIONER BODY	01
019	0503010014	3/4" NUT	04
020	0501065395	DRAWBAR	01
021	0501010276	1" X 3" BOLT	02
022	0503010012	1" SPRING WASHER	02
023	0501010059	1" NUT	02

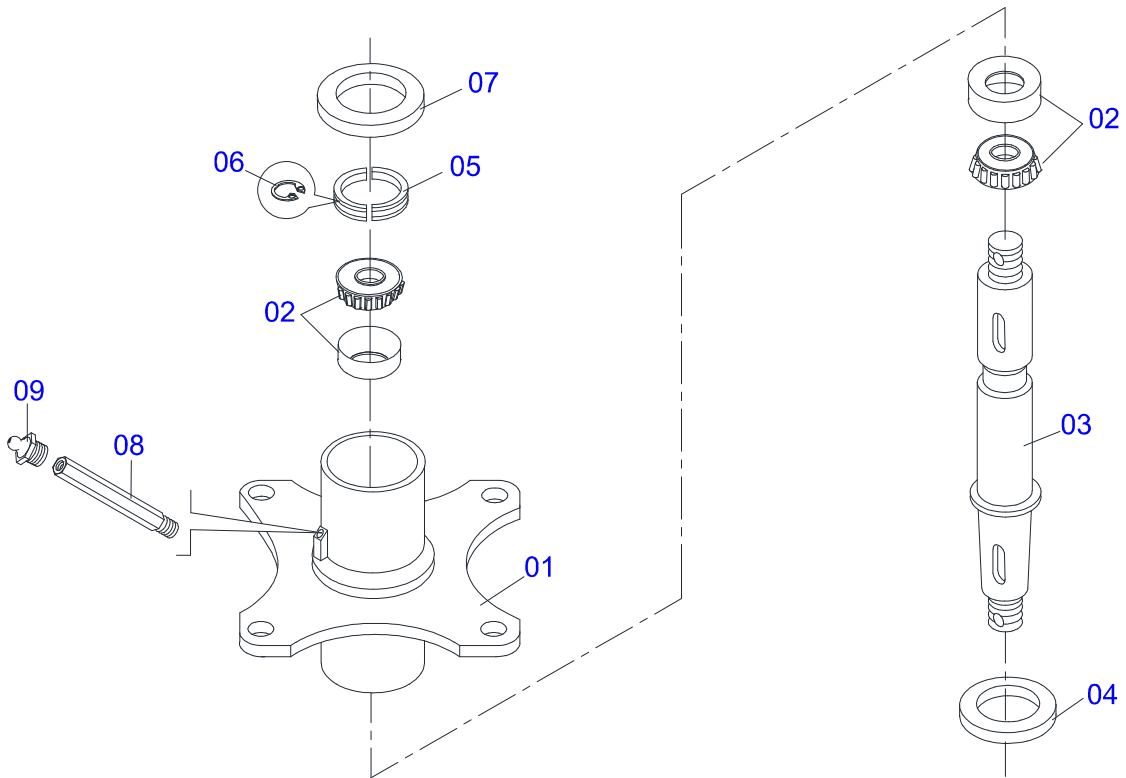
Item	Code	Description	QT
024	0521013311	RC2 1300 AXLE	02
025	0503031035	HAIR PIN	03
026	0501060330	PIVOT DOUBLE BAR	01
027	0501010216	3/4" X 4-1/2" BOLT	01
028	0503010023	3/4" SPRING WASHER	01
029	0503010014	3/4" NUT	01
030	0521010578	0.9" X 4.3" COUPLING SHAFT	01
031	0521013938	HITCH AXLE	01
032	0521010443	1" SLEEVE	01
033	0501017305	3/4" X 2-1/4" BOLT	01
034	0503010023	3/4" SPRING WASHER	01
035	0503010014	3/4" NUT	01
036	0501010216	3/4" X 4-1/2" BOLT	01
037	0503010023	3/4" SPRING WASHER	01
038	0503010014	3/4" NUT	01
039	0501047946	DRIVE SHAFT	01
040	0501110186	OIL SMALLER LEVEL INDICATOR	01
041	0503011981	17.7" CHAIN WITH HOOK/LINK	01
042	0531017833	PROTECTION COVER OF THE BELT	01
043	0501010984	FLAT WASHER	04
044	0503010025	3/8" SPRING WHASHER	04
045	0503010256	3/8" X 3/4" BOLT	04
046	0511054732	PROTECTION COVER	01
046A	0571015426		01
046B	0571015430	CLAW PROTECTION CHAIN	02
046C	0511011774	8,00 CHAIN 4 LINK	38
047	0511054751	CURRENT PROTECTION	03
047A	0571015268	CHAIN PROTECTION BODY	03
047B	0571015267	CLAW PROTECTION CHAIN	03
047C	0511011774	8,00 CHAIN 4 LINK	48
047D	0501011600	1/2" X 1-1/4" BOLT	10
047E	0511017302	FLAT WASHER	10
047F	0503010019	1/2" SPRING WASHER	10
047G	0503010020	1/2" NUT	10
047H	0501010942	3/8" X 1-1/4" BOLT	22
047I	0503010025	3/8" SPRING WHASHER	22
047J	0503010026	3/8" NUT	22
048	0501067540	ATTACHMENT BAR	01
049	0511047301	CARRYING WHEELS ASSY	01
050	0501043642	RUBBER WHEEL ASSY	01
051	0571016119	FRONT PROTECTION	01



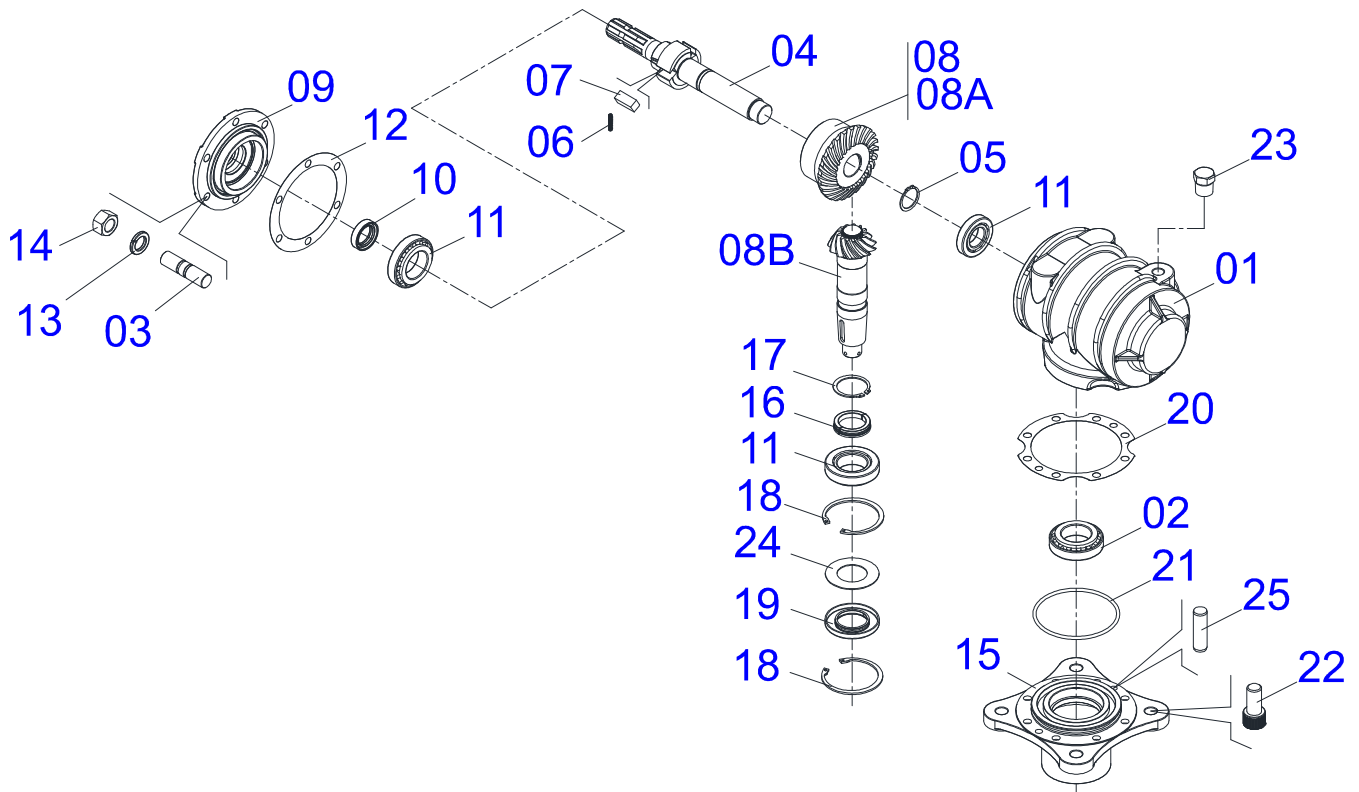
Item	Code	Description	QT
001	0521064699		01
002	0511043567	ROTARY CUTTERS HUB ASSY	01
003	0503013122	3/4" X 4-1/4" BOLT	04
004	0503011442	3/4" SPRING WASHER	04
005	0503010014	3/4" NUT	04
006	0501010536	0.4" X 1.7" KEYWAY SQUARE	02
007	0561015762	FLAT WASHER	01
008	0503010817	1.1/4" UNF SELF ADJUSTING NUT	02
009	0501056322	SUPPORT ROTARY CUTTER BLADES	01
010	0502012453	SUPPORT FLANGE	01
011	0503010901	3/4" X 3-1/2" BOLT	02
012	0503011442	3/4" SPRING WASHER	02
013	0503010014	3/4" NUT	04
014	0502011377	REEL 190 X 50 PULLEY	01
015	0501017779	FLAT WASHER	01



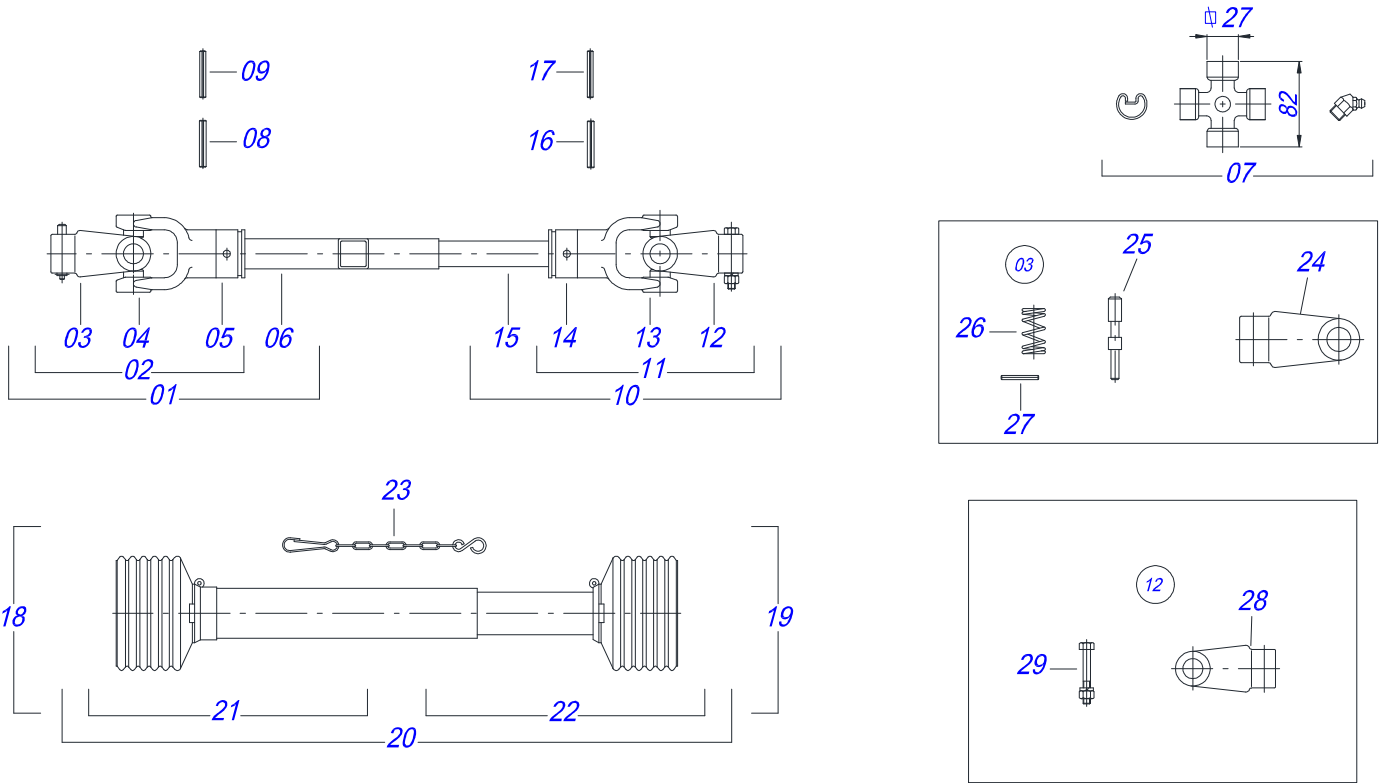
Item	Code	Description	QT
001	0561017368	ROTARY LOWER SUPPORT	01
002	0561017308	SUPPORT UPPER BASE	01
003	0511019000	BOLT	02
004	0503010812	7/8" UNF SELF ADJUSTING NUT	02
005	0503011447	7/8" SPRING WASHER	02
006	0622400053	20.5" X 3.94" X 0.5" ROTARY CUTTER	02



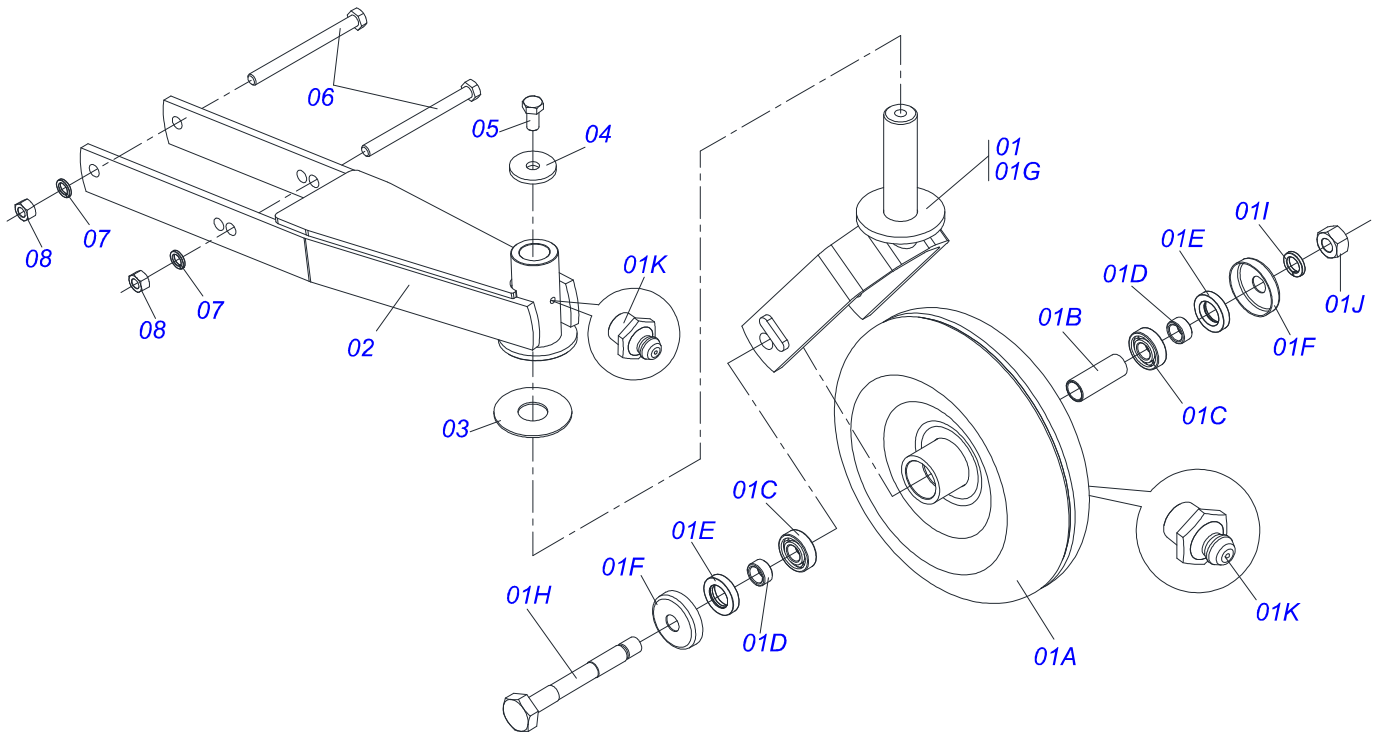
Item	Code	Description	
01	0502012294	DROP HUB	01
02	0503012418	32211 ROLLER BEARING	02
03	0541014095	ROTARY CUTTERS SMALLER AXLE	01
04	0503013201	ARCA 6016 BRG SEAL	01
05	0531019302	LOCK RING	01
06	0503012311	501065 RENO RING	01
07	0503013211	6016 BRG SEAL	01
08	0501019757	EXTENSION GREASE FITTING	01
09	0503010002	GREASE FITTING	01



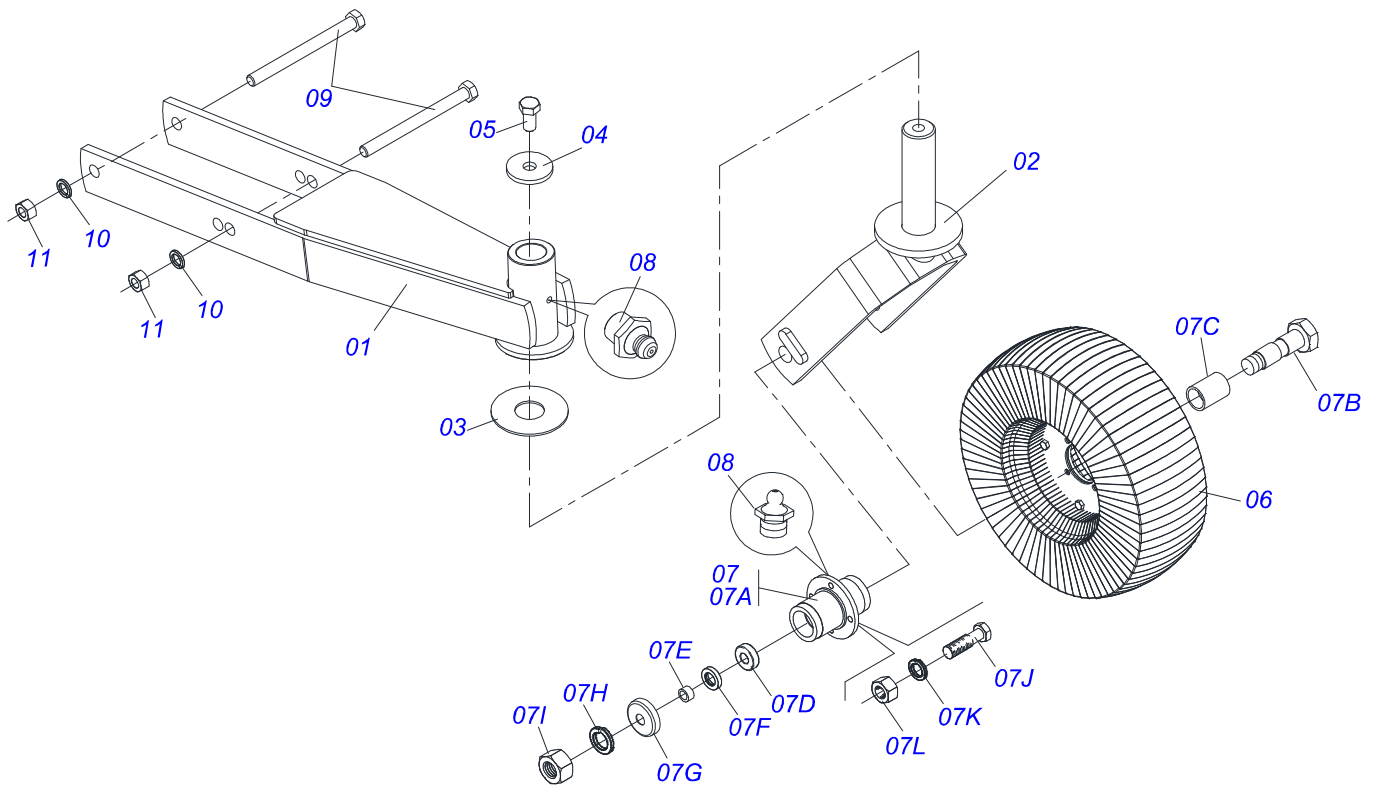
Item	Code	Description	
01	0502010984	LEFT MULTIPLIER BOX	01
02	0503010037	30207 ROLLER BEARING	01
03	0503030084	1/2" X 1/2" X 2.0" STUD	06
04	0503050063	UPPER AXLE	01
05	0503010217	501040 CLAMPING RING (FOR AXLE)	01
06	0503030051	0.2" X 1" X 0.1" COMPRESSION SPRING	06
07	0501010649	RATCHET CLICK	03
08	0503060210	CROWN PINION SET	01
08A	0503050074	25Z CONICAL GEAR	01
08B	0503061048	PINION	01
09	0502011152	SMALLER COVER	01
10	0503011171	00912-BRG SEAL	01
11	0503010006	32210 ROLLER BEARING	03
12	0503030783	7.1" X 5.3" X 0.008" JOINT	01
13	0503010019	1/2" SPRING WASHER	06
14	0503010028	1/2" NUT	06
15	0502011393	LOWER HUB	01
16	0511010142	LOCK RING	01
17	0503010396	501060 CLAMPING RING (FOR AXLE)	01
18	0503011190	502090 CLAMPING RING (FOR AXLE)	02
19	0503011047	5089 SEAL	01
20	0503030785	7.9" X 5.9" X 0.008" JOINT	01
21	0503010286	2-355 N 3006-9B O-RING	01
22	0503010562	1/2" X 1" BOLT	08
23	0503031604	1/2" BSP PLUG	01
24	0521018064	FLAT WASHER	01
25	0503017877	PIN GUIDE	02



Item	Code	Description	QT
01	0501050270	UNIVERSAL JOINT WITH SLEEVE	01
02	0501050265	UNIVERSAL JOINT	01
03	0501050333	1-40 TERMINAL WITH HITCH	01
04	0502010565	2-40 TERMINAL W/ SH 1.5"/1.5"	01
05	0503012069	ADAPTER FOR BUSHING PROTECT	01
06	0501017427	20" X 1.5" SQUARE SLEEVE	01
07	0503010836	CARDAN CROSSPIECE	02
08	0503011069	0.4" X 2.8" SPRING PIN	01
09	0503010510	0.2" X 2.6" SPRING PIN	01
10	0501050867	UNIVERSAL JOINT WITH SHAFT	01
11	0501050449	UNIVERSAL JOINT	01
12	0501052526	T8-40 TERMINAL WITH SCREW	01
13	0502010566	3-40 TERMINAL W/ SH 1.2"/1.2"	01
14	0503012070	ADAPTER FOR AXLE PROTECTION	01
15	0501017423	1.2" X 19.6" SQUARE SHAFT	01
16	0503010361	0.4" X 2.4" SPRING PIN	01
17	0503010756	0.2" X 2.4" SPRING PIN	01
18	0501051694	UNIVERSAL JOINT WITH SLEEVE/PROT	01
19	0501051695	UNIVERSAL JOINT WITH AXLE/PROT	01
20	0503012066	PROTECTION ASSY	01
21	0503012067	PROTECTION FOR UNIV JOINT AND SLEEV	01
22	0503012068	PROTECTION FOR UNIV JOINT AND AXLE	01
23	0503012023	CHAIN FOR UNIV JOINT PROTECTION	02
24	0502010563	1-40 STRIATED 1.3/8" TERMINAL	01
25	0521010638	0.5" X 3.3" QUIC HITCH COUPL SHAFT	01
26	0503030518	0.5"X1.0"X 0.1" COMPRESSION SPRING	01
27	0503010838	0.1" X 0.8" SPRING PIN	01
28	0502010876	8-40 STRIATED 1.3/8" TERMINAL	01
29	0501047756	1/2" X 3" SET PARTS	01



Item	Code	Description	
01	0501058460	CARRYING WHEELS	01
01A	0501063309	13.8" X 4.33" WHEEL ASSY	01
01B	0521010460	0.9" X 1.1" X 2.9" SLEEVE	01
01C	0503010269	6204 BALL BEARING	02
01D	0521010487	SPACER WASHER	02
01E	0503010268	00262-B SEAL	02
01F	0511014254	DUST CLOAK	02
01G	0501065266	WHELL FORK	01
01H	0501017143	WHEEL AXLE	01
01I	0503010023	3/4" SPRING WASHER	01
01J	0503010014	3/4" NUT	01
01K	0503010002	GREASE FITTING	02
02	0501069375	WHEEL SUPPORT	01
03	0511013239	FLAT WASHER	01
04	0511010721	FLAT WASHER	01
05	0503010962	5/8" X 1-1/4" BOLT	01
06	0503010795	5/8" X 7" BOLT	02
07	0503010027	5/8" SPRING WASHER	02
08	0503010013	5/8" NUT	02



Item	Code	Description	
01	0501069375	WHEEL SUPPORT	01
02	0501065266	WHELL FORK	01
03	0511013239	FLAT WASHER	01
04	0511010721	FLAT WASHER	01
05	0503010962	5/8" X 1-1/4" BOLT	01
06	0501050433	TIRE WHELL	01
07	0501051587	WHEELS BOX ASSY	01
07A	0502011286	WHEELS BOX ASSY	01
07B	0501017143	WHEEL AXLE	01
07C	0521010460	0.9" X 1.1" X 2.9" SLEEVE	01
07D	0503010269	6204 BALL BEARING	02
07E	0521010487	SPACER WASHER	02
07F	0503010268	00262-B SEAL	02
07G	0511014254	DUST CLOAK	01
07H	0503010023	3/4" SPRING WASHER	01
07I	0503010014	3/4" NUT	04
07J	0501010080	3/8" X 1-1/2" BOLT	04
07K	0503010025	3/8" SPRING WHASHER	04
07L	0503010026	3/8" NUT	02
08	0503010002	GREASE FITTING	01
09	0503010795	5/8" X 7" BOLT	02
10	0503010027	5/8" SPRING WASHER	02
11	0503010013	5/8" NUT	02



email: civemasa@civemasa.com.br

www.civemasa.com.br

Phone: +55 16.3382.8222

Fax: +55 16.3382.8355

MARCHESAN IMPLEMENTOS E MÁQUINAS AGRÍCOLAS "TATU" S.A.

Av. Marchesan, 1979 - Post Office box, 131 - Cep 15994-900 - Matão - Sp - Brasil

CNPJ 52.311.289/0001-63 | Inst. Est.441.000.151.114

Drafting and Illustration = GASPARI
e.mail = jgaspari@marchesan.com.br

ORIGINAIS PARTS
CIVEMASA

The Civemasa logo, identical to the one at the top of the page, is positioned at the bottom right of the page. It features the word "civemasa" in a bold, italicized, lowercase sans-serif font, with three vertical bars above the letters "i", "v", and "e" in orange, green, and orange colors.