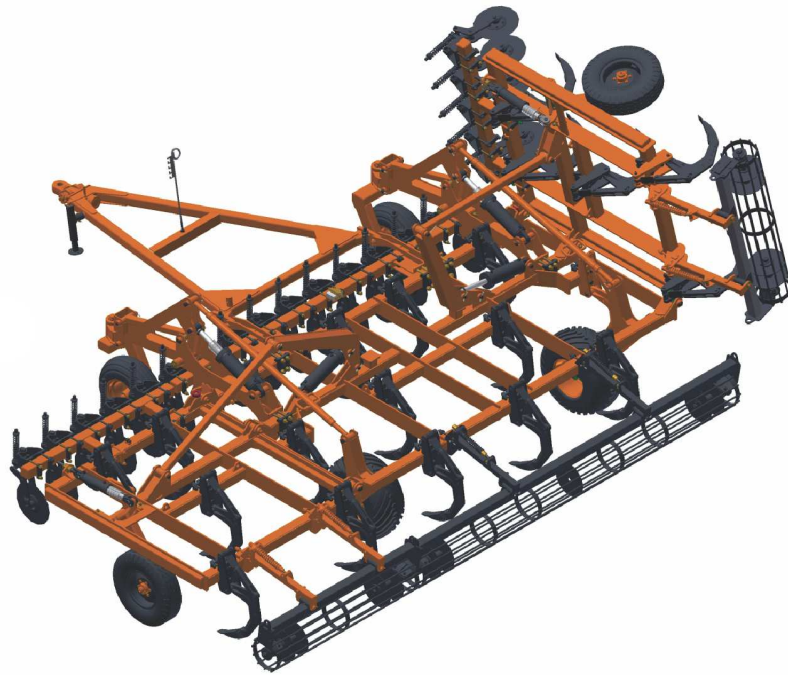


PARTS CATALOGUE

SUBSOILER PLOUGH

STAC 21/25 H

Code: 0501091620



Series: S-0114

Rev.: 00

Date Rev.: ABRIL/2016

**ORIGINAL PARTS
CIVEMASA**

civemasa

PRODUCTS

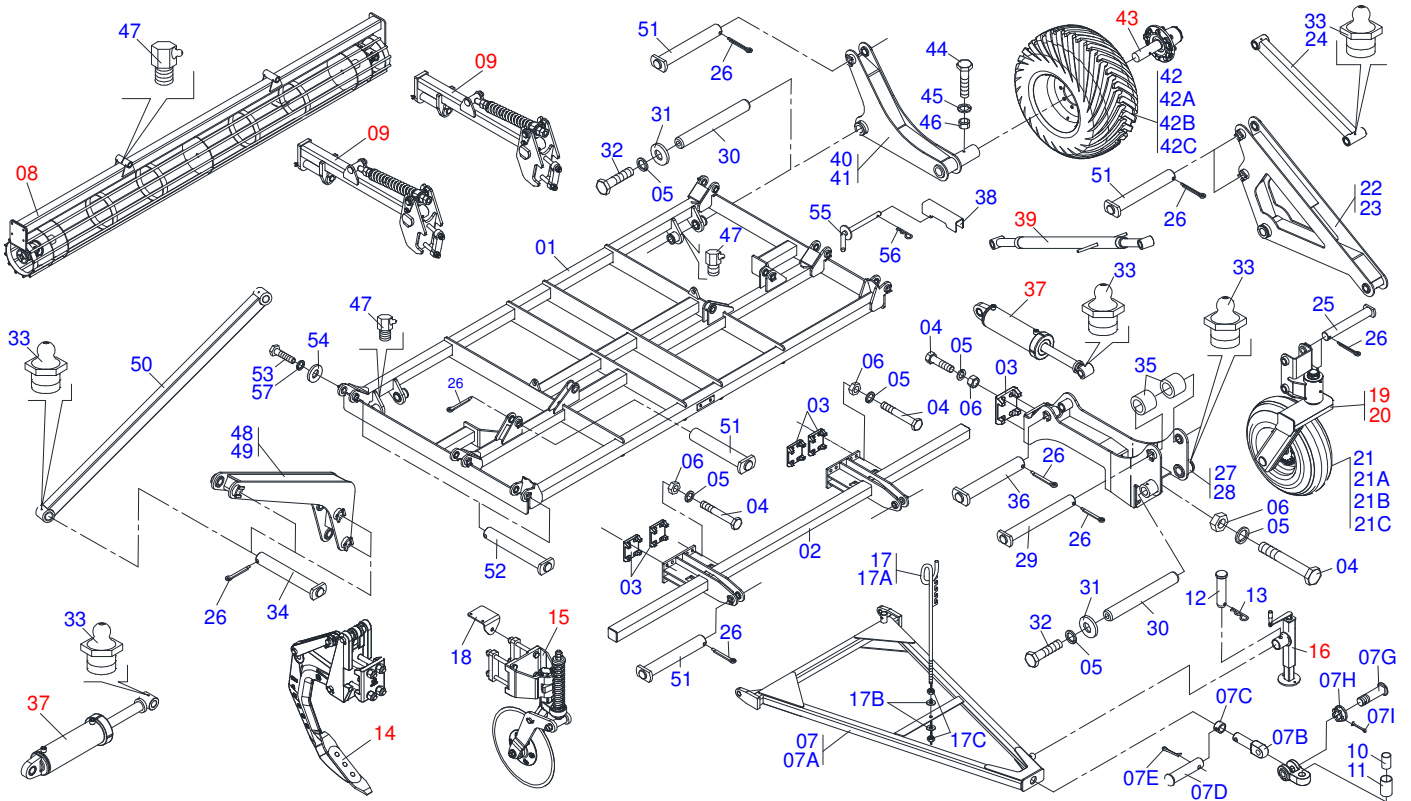
Code	Description
0120370181	STAC 21L DC RD ESP-400 ARTIC S-0114
0120370273	STAC L 450 HE 21H DC RD ESP400 S414
0120370249	STAC L 450 HE 25H DC RD ESP400 S-0414
0120370236	STAC L 450 HP 21H DC RD ESP400 S414
0120370237	STAC L 450 HP 25H DC RD ESP400 S414

ATTENTION: **IMPORTANT**

CIVEMASA RESERVES THE RIGHT AT ANY TIME TO MAKE IMPROVEMENTS IN THE DESIGN, MATERIAL OR SPECIFICATIONS OF MACHINERY, EQUIPMENT OR PARTS WITHOUT THEREBY BECOMING LIABLE TO MAKE SIMILAR CHANGES IN MACHINERY, EQUIPMENT OR PARTS PREVIOUSLY SOLD.

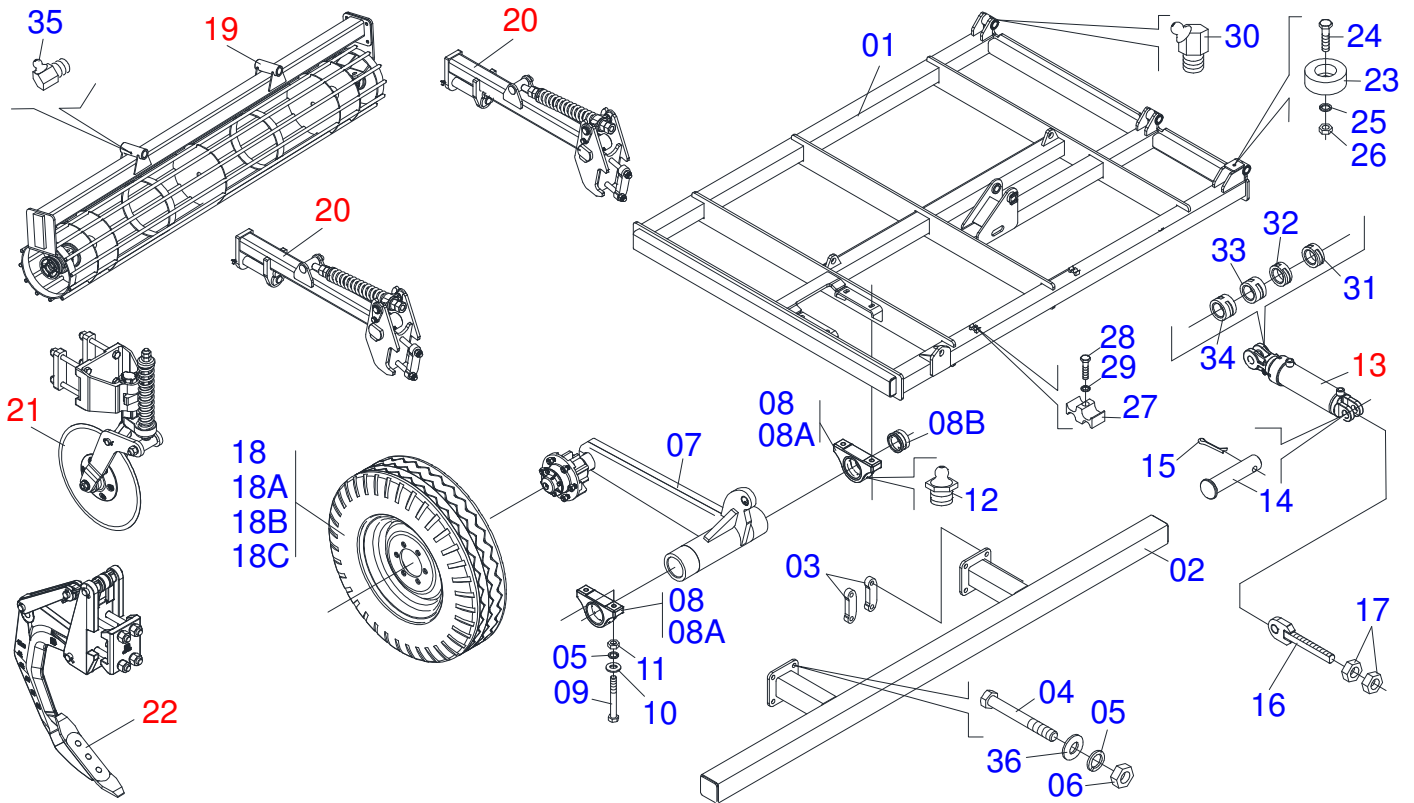
INDEX

0909090907	CENTRAL FRAME	1
0909090908	RH SIDE FRAME	2
0909090910	RIGHT SIDE FRAME	3
0511047076	SHANKS SYSTEM ASSY	4
0909090906	COULTER BLADES WITH SUPPORT	5
0511048088	DRAWBAR JACK	6
0501051885	CARRYING-WHEELS	7
0511051861	COPYCAT THE COMPLETE WHEELSET	8
0909090914	HYDRAULIC CYLINDER	9
0511049943	HYDRAULIC CYLINDER	10
0909094603	HYDRAULIC CIRCUIT	11
0909094604	WHEELS FULL RIGHT LEFT ASSY	12
0909090915	FRONT CARRYING-WHEELS ARM ASSY	13
0511051871	ARM BREAK ROLLER	14
0909090916	BREAK ROLLER 4352	15
0909090917	BREAK ROLLER 1950	16
0501046922	7.5" X 1-1/4" OIL BATH BEARING	17



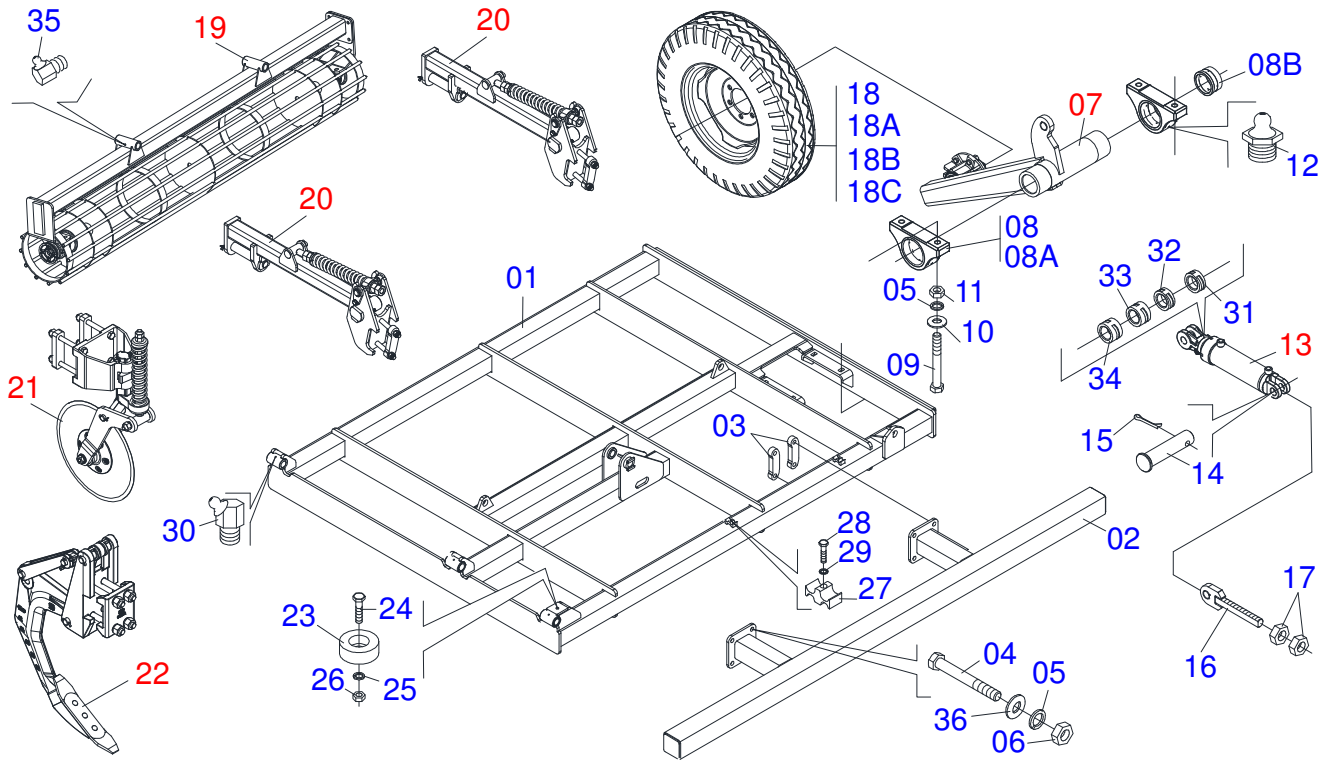
Item	Code	Description	See page	21/25 H
01	0521063130	CENTRAL FRAME	01	01
02	0521063132	SUPPORT CENTER BLADE DISC	01	01
03	0502011552	FRONT FIXER	08	08
04	0511019527	1" X 8" BOLT	32	32
05	0503010012	1" SPRING WASHER	40	40
06	0503010340	1" NUT	32	32
07	0521043484	DRAWBAR ASSY	01	01
07A	0521063133	DRAWBAR	01	01
07B	1902040264	HITCH PIN	01	01
07C	0502040263	ANEL TRAVA ENGATE	01	01
07D	0561017306	COUPLING SHAFT	01	01
07E	0503010523	1/4" X 2" COTTERPIN	01	01
07F	0502040293	YH-90 CLEVIS	01	01
07G	0511067199	2" BOLT	01	01
07H	0502040558	2" CASTLE NUT	01	01
07I	0503010523	1/4" X 2" COTTERPIN	01	01
08	0521040834	BREAK ROLLER	01	01
09	0511051871	ARM BREAK ROLLER	14	02 02
10	0571013174	SLEEVE	01	01
11	0571013175	SLEEVE	01	01
12	0561014251	COUPLING SHAFT	01	01
13	0503030012	HAIR PIN	01	01
14	0511047076	SHANKS SYSTEM ASSY	4	11 11
15	0501056926	SUPPORT WITH BLADE DISC		11 11
16	0511048088	DRAWBAR JACK	6	01 01
17	0501040257	3/4 X 1200 HOSE HOLDER A		01 01
17A	0511067334	HOSE SOPPORT ASSY		01 01
17B	0501010322	FLAT WASHER		02 02
17C	0503010014	3/4" NUT		02 02
18	0571013172	VALVE SUPPORT		01 01
19	0511051867	ARM RIGHT FRONT WHEELS		01 01

Item	Code	Description	See page	21/25 H
20	0511051868	ARM LEFT FRONT WHEELS		01 01
21	0503060244	RODA C/ PNEU11L-15 10L 8F COMP GCRO		02 02
21A	0503012108	RODA 10 LB X 15 X 8F X 203 GCRO		02 02
21B	0503010860	CAMARA AR 11L 15		02 02
21C	0503010858	CANVAS TIRE		02 02
22	0521063118	COPIER LOWER RIGHT ARM		01 01
23	0521063119	COPIER LOWER LEFT ARM		01 01
24	0521063122	COPIER UPPER ARM		02 02
25	0521063144	PIVOT SHAFT		04 04
26	0503010534	3/8 X 2-1/2 COTTERPIN		26 26
27	0521063120	LEFT CARRYING-WHEEL FIXER SUPPORT		01 01
28	0521063121	RIGTH CARRYING-WHEEL FIXER SUPPORT		01 01
29	0521063145	PIVOT SHAFT		02 02
30	0531018062	COUPLING SHAFT		04 04
31	0521011565	FLAT WASHER		08 08
32	0503011250	1" X 2" BOLT		08 08
33	0503010002	1800 GREASE FITTING		16 16
34	0521062684	PIVOT SHAFT		14 14
35	0571011373	SLEEVE		04 04
36	0521062158	PIVOT SHAFT		02 02
37	0511049943	HYDRAULIC CYLINDER	10	04 04
38	0571012135	TRANSPORT LOCK		04 04
39	0511051861	COPYCAT THE COMPLETE WHEELSET	8	02 02
40	0521063128	RIGHT CARRYING-WHEELS		01 01
41	0521063125	LEFT CARRYING WHEELS		01 01
42	0503060102	WHEEL AND TIRE		02 02
42A	0501069483	WHEEL		02 02
42B	0503012112	400/60 - 15.5 TR 15 INNER TIRE		02 02
42C	0503013119	CANVAS TIRE		02 02
43	0501051885	CARRYING-WHEELS	7	02 02
44	0503010706	1/2" X 4.1/2" BOLT		02 02
45	0503010019	1/2" SPRING WASHER		02 02
46	0503010060	1/2" NUT		02 02
47	0503010004	1890 GREASE FITTING		06 06
48	0521063412	TOWER OF JOINT RIGHT		01 01
49	0521063413	TOWER OF JOINT LEFT		01 01
50	0521063414	JOINT ARM		02 02
51	0521062813	PIVOT SHAFT		04 04
52	0521063149	3/4" X 208 AXLE		06 06
53	0501011544	3/4" X 1-1/2" BOLT		06 06
54	0511017232	FLAT WASHER		06 06
55	0501068994	0.3" X 3.1"LOCK PIN		04 04
56	0503030168	HAIR PIN		04 04
57	0503010023	SPRING WASHER		06 06



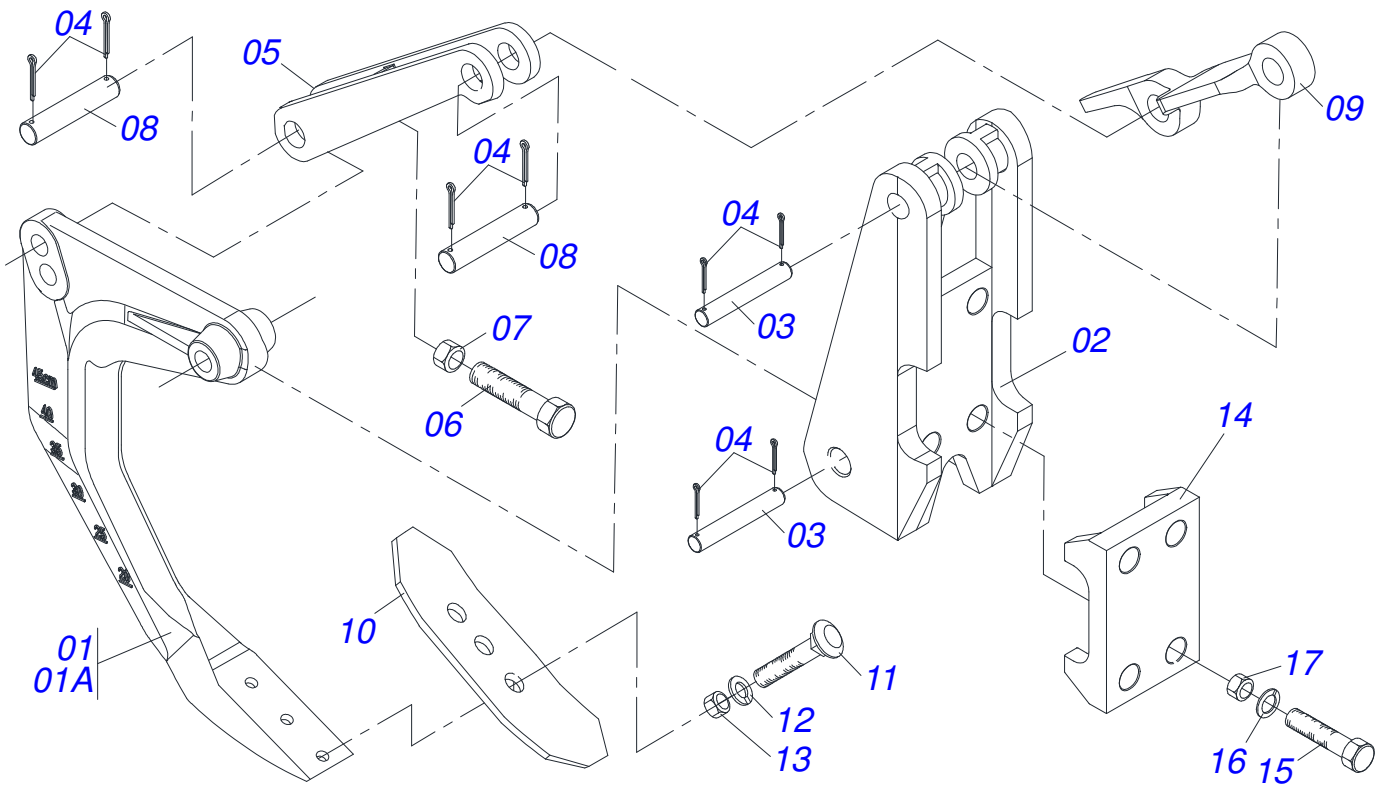
Item	Code	Description	See page	21 25 H
01	0521064580	RIGHT SIDE FRAME		01 00
01.	0521063086	RH SIDE FRAME		00 01
02	0521064578	BLADE DISC SIDE SUPPORT		01 01
03	0571011609	FIXER PLATE CUTTING DISC		04 04
04	0503014744	3/4 UNF X 7.1/2 C S G.7 ZN BOLT		12 12
05	0503010023	SPRING WASHER		16 16
06	0503010335	3/4\"NUT		12 12
07	0501051007	RIGHT CARRYING-WHEELS		01 01
08	0501110563	MANCAL ARTICULAÇÃO ESQUERDA C/LUVA		02 02
08A	0502012273	PIVOT BEARING		02 02
08B	0551018339	SLEEVE NYLON 114,40 X 140 X 76		02 02
09	0501010195	3/4\" X 3-1/2\" BOLT		04 04
10	0501010322	FLAT WASHER		04 04
11	0503010014	3/4\" NUT		04 04
12	0503010002	1800 GREASE FITTING		02 02
13	0511058423	HYDRAULIC CYLINDER 44,45 X 85,7 X 514 X 205 STAC 25L		01 01
14	0521012538	1.2\" X 3.5\" COUPLING SHAFT		02 02
15	0503010523	1/4\" X 2\" COTTERPIN		02 02
16	0501063989	HYDRAULIC CYLINDER REGULATOR		01 01
17	0501010110	1.1/2\" NUT		02 02
18	0503062010	750 X 16-12L ASSY WHEEL AND TIRE		01 01
18A	0503012108	RODA 10 LB X 15 X 8F X 203 GCRO		01 01
18B	0503010860	CAMARA AR 11L 15		01 01
18C	0503010858	CANVAS TIRE		01 01
19	0521040835	BREAK ROLLER		01 01
20	0511051871	ARM BREAK ROLLER	14	02 02
21	0501056926	SUPPORT WITH BLADE DISC		07 07
22	0511047076	SHANKS SYSTEM ASSY	4	07 07
23	0521011481	BEATER FRAME		01 01
24	0503011267	5/8\" X 1.1/2\" BOLT		01 01
25	0503010027	SPRING WASHER		01 01

Item	Code	Description	See page	21 25 H
26	0503010013	5/8" NUT		01 01
27	0502012702	BODY SUPPORT CLAMP		02 02
28	0503012555	7/16" X 2" BOLT		02 02
29	0503010180	7/16" SPRING WASHER		02 02
30	0503010003	1845 GREASE FITTING		03 03
31	0501047895	ROD STOP		04 04
32	0501047885	ROD STOP		02 02
33	0501047886	ROD STOP		02 02
34	0501047887	ROD STOP		02 02
35	0503010004	1890 GREASE FITTING		02 02
36	0511019685	FLAT WASHER		08 08

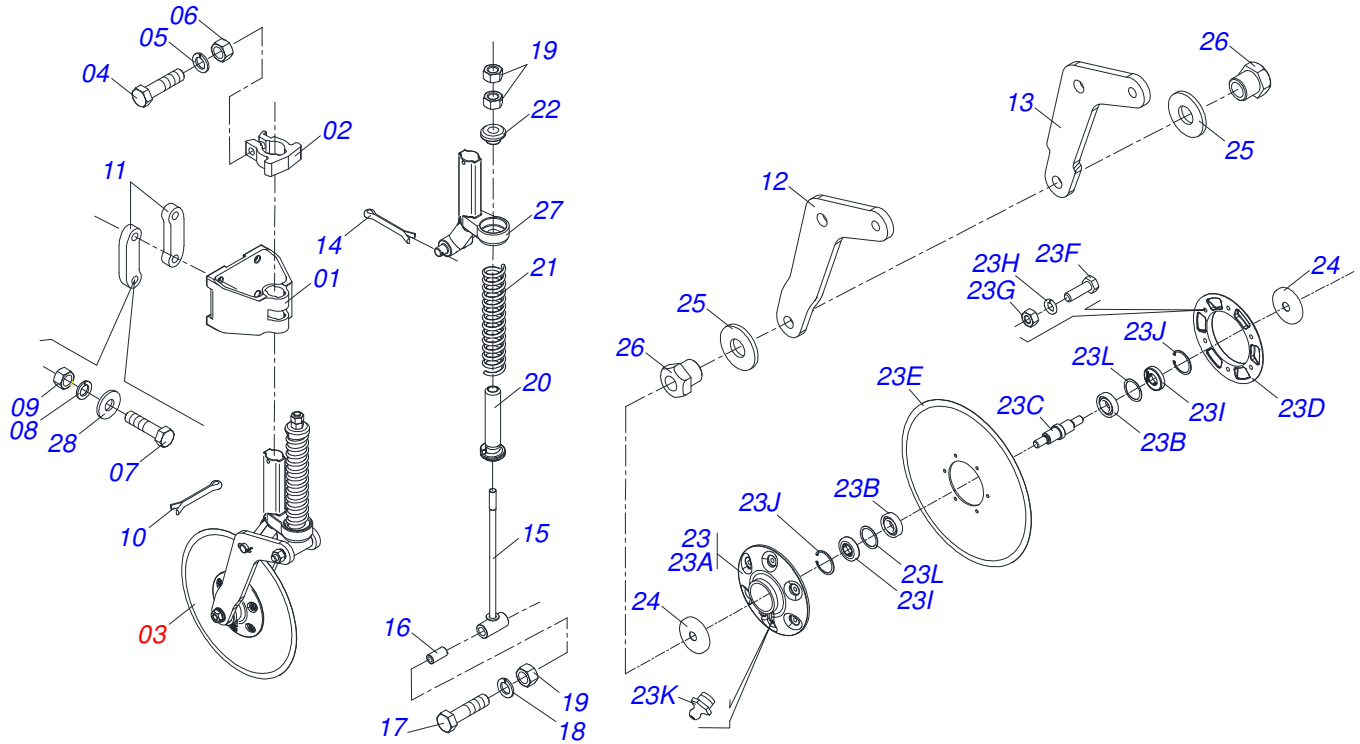


Item	Code	Description	See page	21 25 H
01	0521064581	LEFT SIDE FRAME		01 00
01.	0521063083	RIGHT SIDE FRAME		00 01
02	0521064577	BLADE DISC SIDE SUPPORT		01 01
03	0571011609	FIXER PLATE CUTTING DISC		04 04
04	0503014744	3/4 UNF X 7.1/2 C S G.7 ZN BOLT		12 12
05	0503010023	SPRING WASHER		16 16
06	0503010335	3/4"NUT		12 12
07	0501051008	LEFT CARRYING-WHEELS		01 01
08	0501110563	MANCAL ARTICULAÇÃO ESQUERDA C/LUVA		02 02
08A	0502012273	PIVOT BEARING		02 02
08B	0551018339	SLEEVE NYLON 114,40 X 140 X 76		02 02
09	0501010195	3/4" X 3-1/2" BOLT		04 04
10	0501010322	FLAT WASHER		04 04
11	0503010014	3/4" NUT		04 04
12	0503010002	1800 GREASE FITTING		02 02
13	0511058423	HYDRAULIC CYLINDER 44,45 X 85,7 X 514 X 205 STAC 25L		01 01
14	0521012538	1.2" X 3.5" COUPLING SHAFT		02 02
15	0503010523	1/4" X 2" COTTERPIN		02 02
16	0501063989	HYDRAULIC CYLINDER REGULATOR		01 01
17	0501010110	1.1/2" NUT		02 02
18	0503062010	750 X 16-12L ASSY WHEEL AND TIRE		01 01
18A	0503012108	RODA 10 LB X 15 X 8F X 203 GCRO		01 01
18B	0503010860	CAMARA AR 11L 15		01 01
18C	0503010858	CANVAS TIRE		01 01
19	0521040835	BREAK ROLLER		01 01
20	0511051871	ARM BREAK ROLLER	14	02 02
21	0501056926	SUPPORT WITH BLADE DISC		07 07
22	0511047076	SHANKS SYSTEM ASSY	4	07 07
23	0521011481	BEATER FRAME		01 01
24	0501010263	5/8" X 1-1/2" BOLT		01 01
25	0503010027	SPRING WASHER		01 01

Item	Code	Description	See page	21 25 H
26	0503010013	5/8" NUT		01 01
27	0502012702	BODY SUPPORT CLAMP		02 02
28	0503012555	7/16" X 2" BOLT		02 02
29	0503010180	7/16" SPRING WASHER		02 02
30	0503010003	1845 GREASE FITTING		03 03
31	0501047895	ROD STOP		04 04
32	0501047885	ROD STOP		02 02
33	0501047886	ROD STOP		02 02
34	0501047887	ROD STOP		02 02
35	0503010004	1890 GREASE FITTING		02 02
36	0511019685	FLAT WASHER		08 08

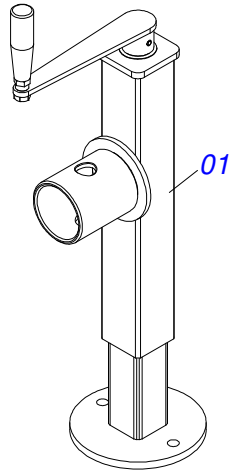


Item	Code	Description	See page	QT
01	0511047076	SHANKS SYSTEM ASSY	4	01
01A	0502011264	ARM AST/MATIC		01
02	0502011551	REAR FIXER		01
03	0521013024	28,50 X 184 AXLE		02
04	0503010571	1/4" X 1.1/2 COTTERPIN		08
05	0502011164	SUPPORT SPRING		01
06	0503011195	7/16" X 1.3/4" BOLT		01
07	0503010244	7/16" NUT		01
08	0511015689	1.1" X 3.5" COUPLING SHAFT		02
09	0521011631	AUTOMATIC RESET		01
10	0624010005	POINT SUBSOILER 16"X3"X1/2" E019		01
11	0503014190	1/2 BSW "1.1/2 BOLT		03
12	0503011440	SPRING WASHER		03
13	0503010020	1/2"NUT		03
14	0502011552	FRONT FIXER		01
15	0511019527	1" X 8" BOLT		04
16	0503011438	SPRING WASHER		04
17	0503010340	1" NUT		04

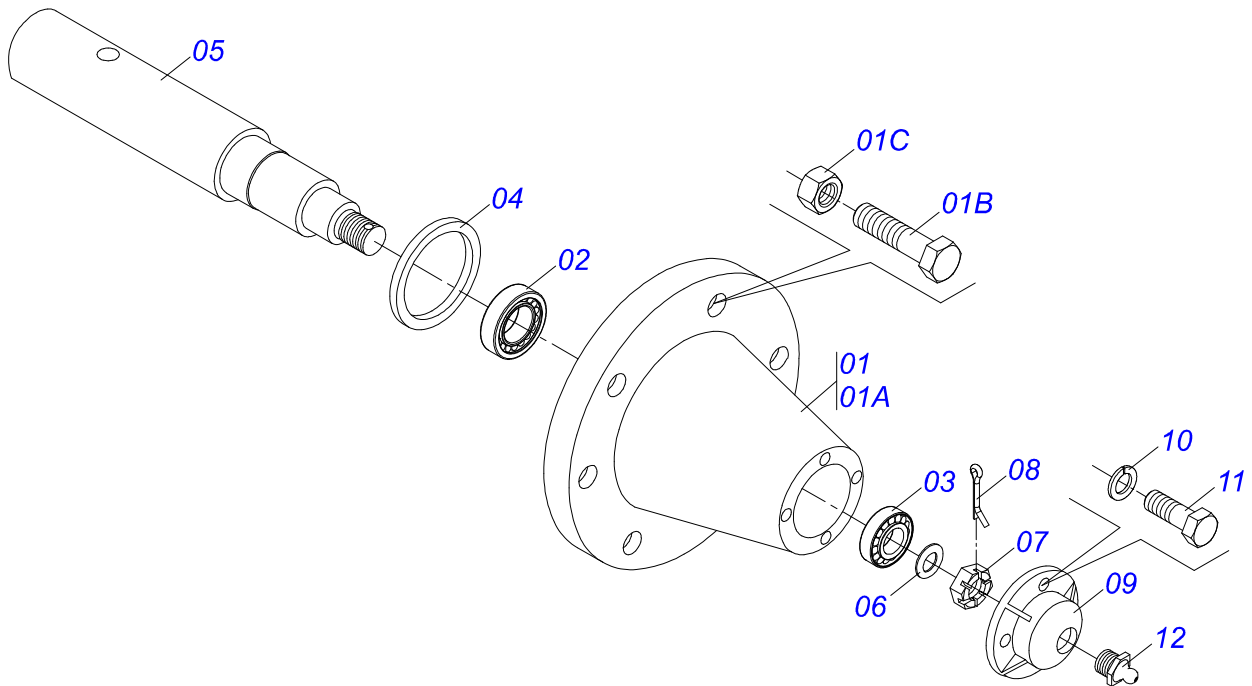


Item	Code	Description	See page	QT
01	0502012026	BLADE DISC FIXER SUPPORT	01	
02	0502012024	FIXER SUPPORT BUSHING	01	
03	0501056926	SUPPORT WITH BLADE DISC	01	
04	0503013184	5/8" X 2-3/4" BOLT G.8	01	
05	0501011299	FLAT WASHER	01	
06	0503010129	5/8" NUT	01	
07	0503014744	3/4 UNF X 7.1/2 C S G.7 ZN BOLT	04	
08	0503010023	SPRING WASHER	04	
09	0503010335	3/4"NUT	04	
10	0503010534	3/8 X 2-1/2 COTTERPIN	01	
11	0571011609	FIXER PLATE CUTTING DISC	02	
12	0541019877	RIGHT ARM OF THE BLADE DISC	01	
13	0541019878	LEFT ARM OF THE BLADE DISC	01	
14	0503010571	1/4" X 1.1/2 COTTERPIN	02	
15	0511060915	ROD SPRING	01	
16	0521010452	SLEEVE	01	
17	0503011198	C3/4" X 6" BOLT	01	
18	0503011442	3/4" SPRING WASHER	01	
19	0503010014	3/4" NUT	03	
20	0511061576	SPRING GUIDE	01	
21	0503031679	COMPRES SPRING	01	
22	0502020393	SPRING UPPER SUPPORT	01	
23	0501056436	DISC BLADE HUB ASSY	01	
23A	0502012338	DISC BLADE HUB ASSY	01	
23B	0503010276	6206 BALL BEARING	04	
23C	0541017479	BLADE DISC AXLE HUB	01	
23D	0502020641	BLADE DISC FLANGE	01	
23E	0603026013	PLAIN COULTER BLADE	01	
23F	0503010371	5/16" X 1" BOLT	06	
23G	0503010337	5/16" NUT	06	
23H	0503011444	SPRING WASHER	06	

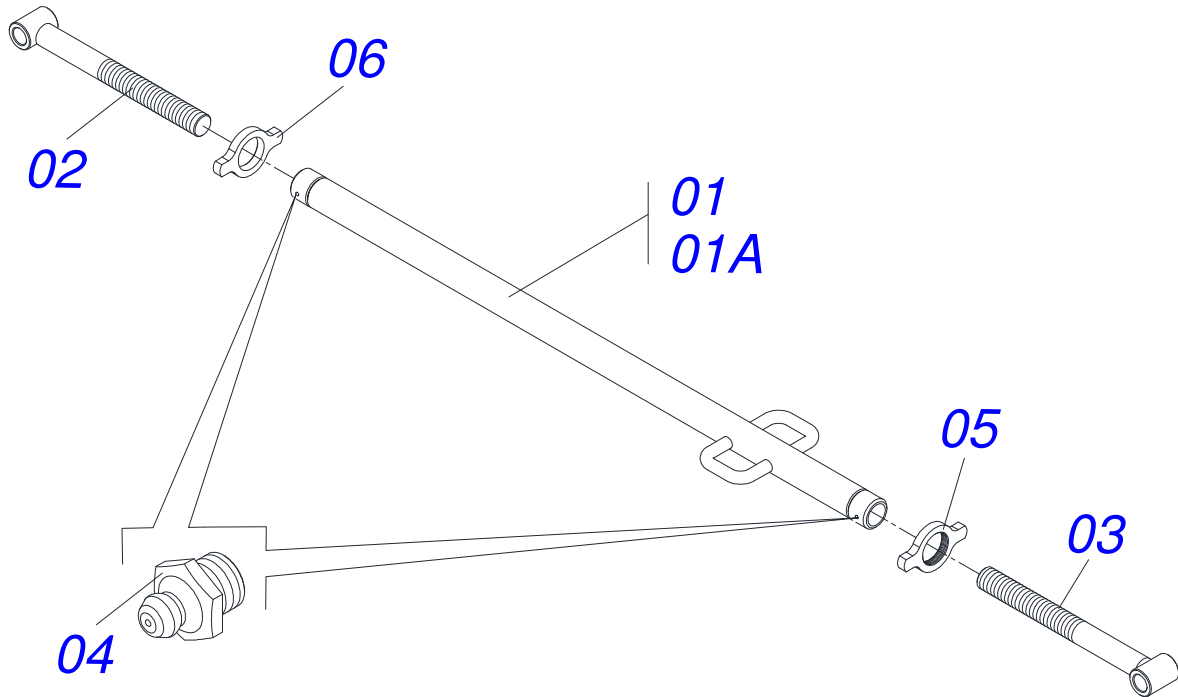
Item	Code	Description	See page	QT
23I	0503012417	SEAL		02
23J	0503011800	SEAL RING		02
23K	0503010691	1/4" GREASE FITTING		01
23L	0503030832	FLAT WASHER		02
24	0521015376	DUST CLOAK		02
25	0511015346	FLAT WASHER		02
26	0521013510	3/4" NUT		02
27	0502012026	BLADE DISC FIXER SUPPORT		01
28	0511019685	FLAT WASHER		04



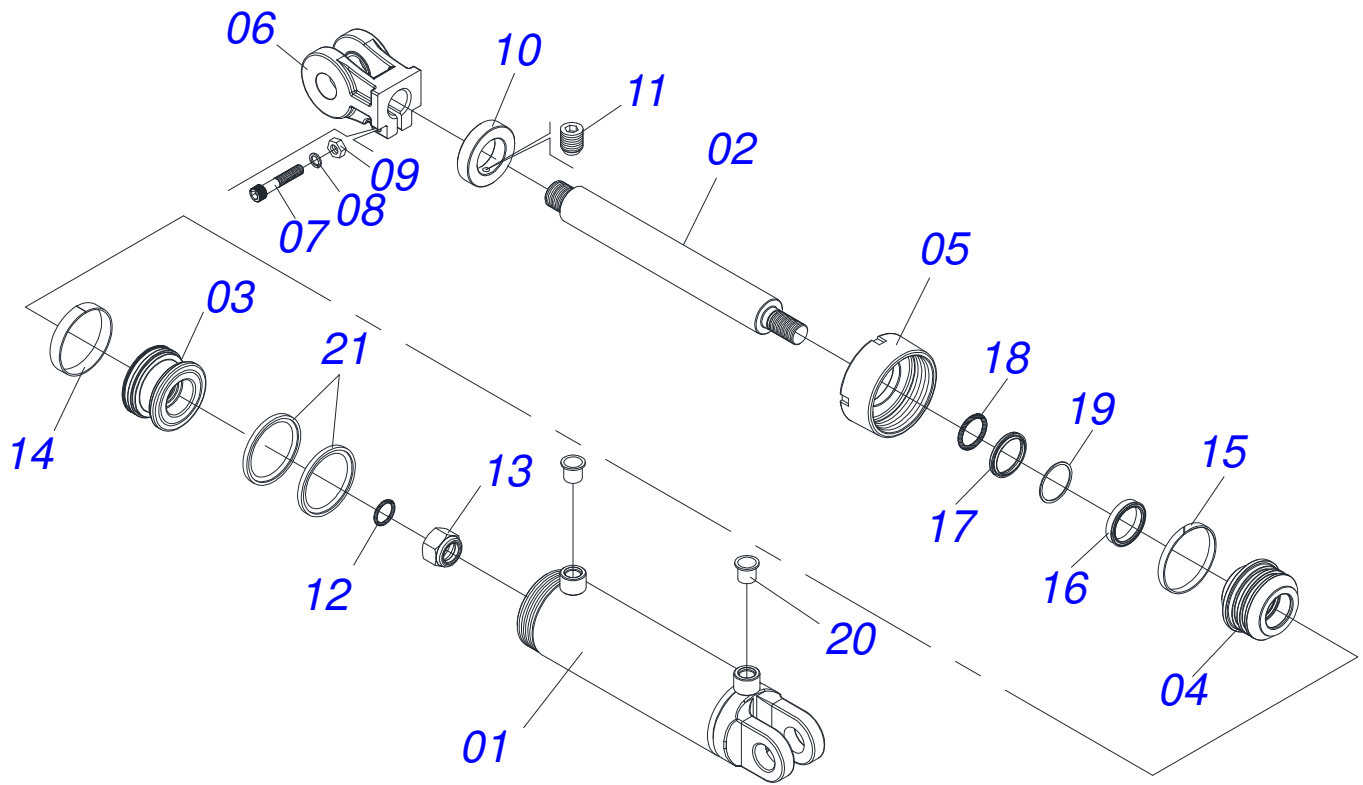
Item	Code	Description	See page	QT
01	0503062227	DRAWBAR JACK		01



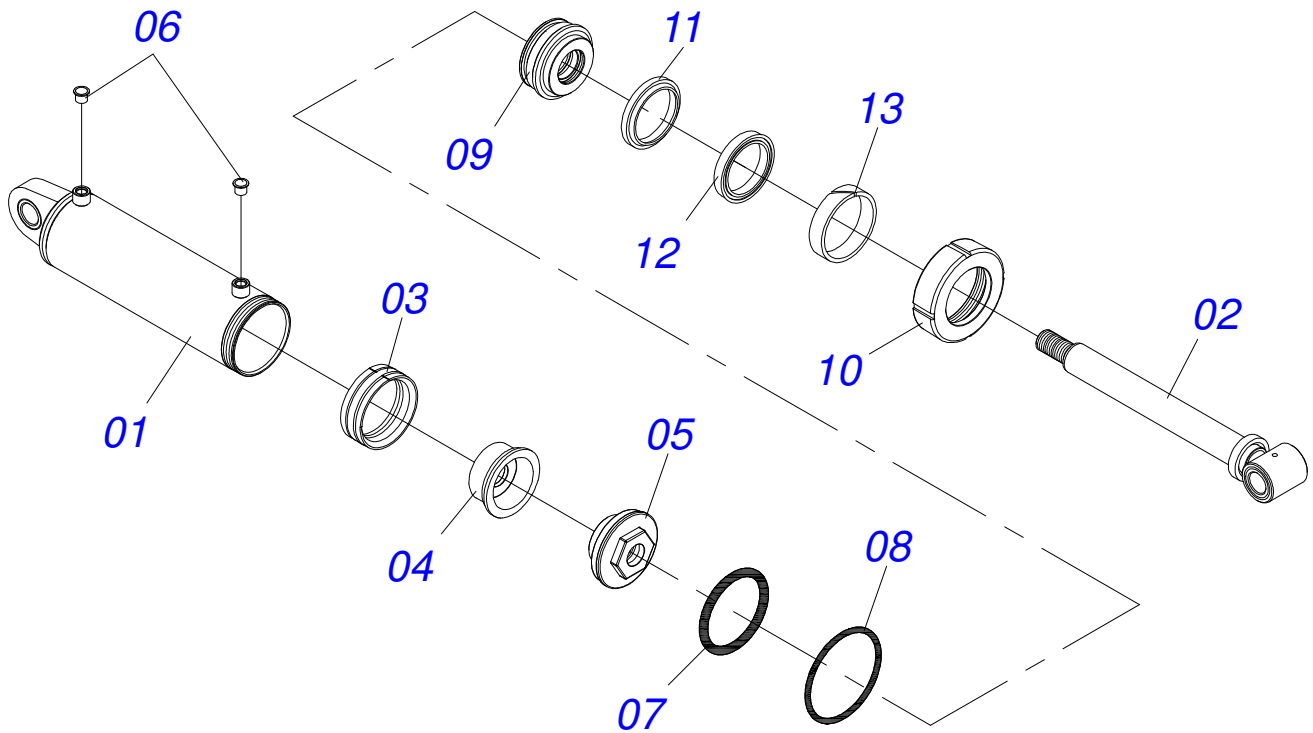
Item	Code	Description	See page	QT
01	0501110738	CARRYING WHEEL HUB		01
01A	0502012260	CAIXA RODADO TRANSPORTE GCRO 2240		01
01B	0501010186	PARAFUSO ROD 5/8UNF X 2.1/8CR		08
01C	0503010064	5/8 UNF CONIC NUT		08
02	0503011156	ROLAMENTO 2780/2720 IMP		01
03	0503010008	ROLAMENTO 3780/37203		01
04	0503013314	RETENTOR 5166-GB 63,5 X 110 X 13 ARCA		01
05	0511012494	SPINDLE		01
06	0511012492	ARRUELA LISA 28 X 46 X 6,30		01
07	0503030009	1" CASTLE NUT		01
08	0503010018	5/32 X 1-1/2 COTTERPIN		01
09	0502020591	PROTECCION COVER		01
10	0503011444	SPRING WASHER		04
11	0503010358	5/16" X 5/8" BOLT		04
12	0503010002	1800 GREASE FITTING		01



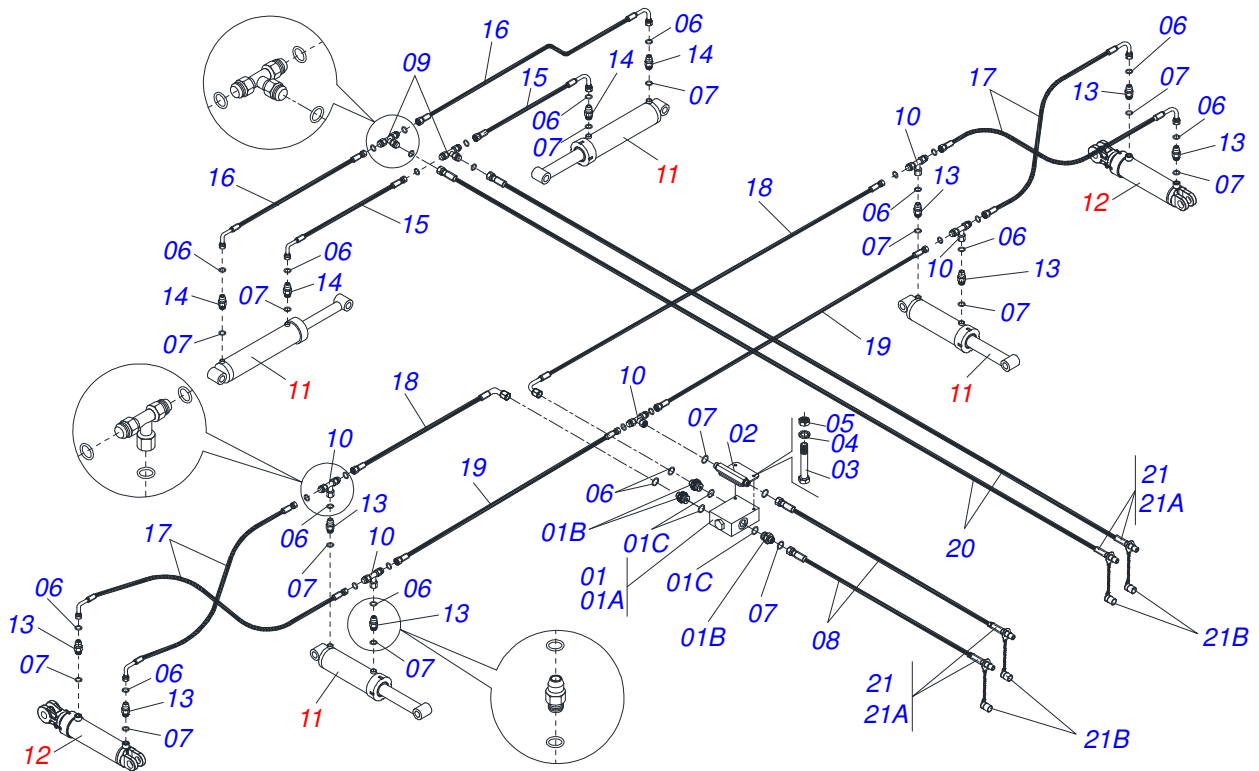
Item	Code	Description	See page	QT
01	0511051861	COPYCAT THE COMPLETE WHEELSET	8	01
01A	0521063129	TURNBUCLE		01
02	0521062691	2 X 508 RIGHT TURNBUCLELE		01
03	0521062690	2 X 508 RIGHT TURNBUCLELE		01
04	0503010002	1800 GREASE FITTING		02
05	0561019303	RIGHT LOCKNUT		01
06	0561019304	LEFT LOCKNUT		01



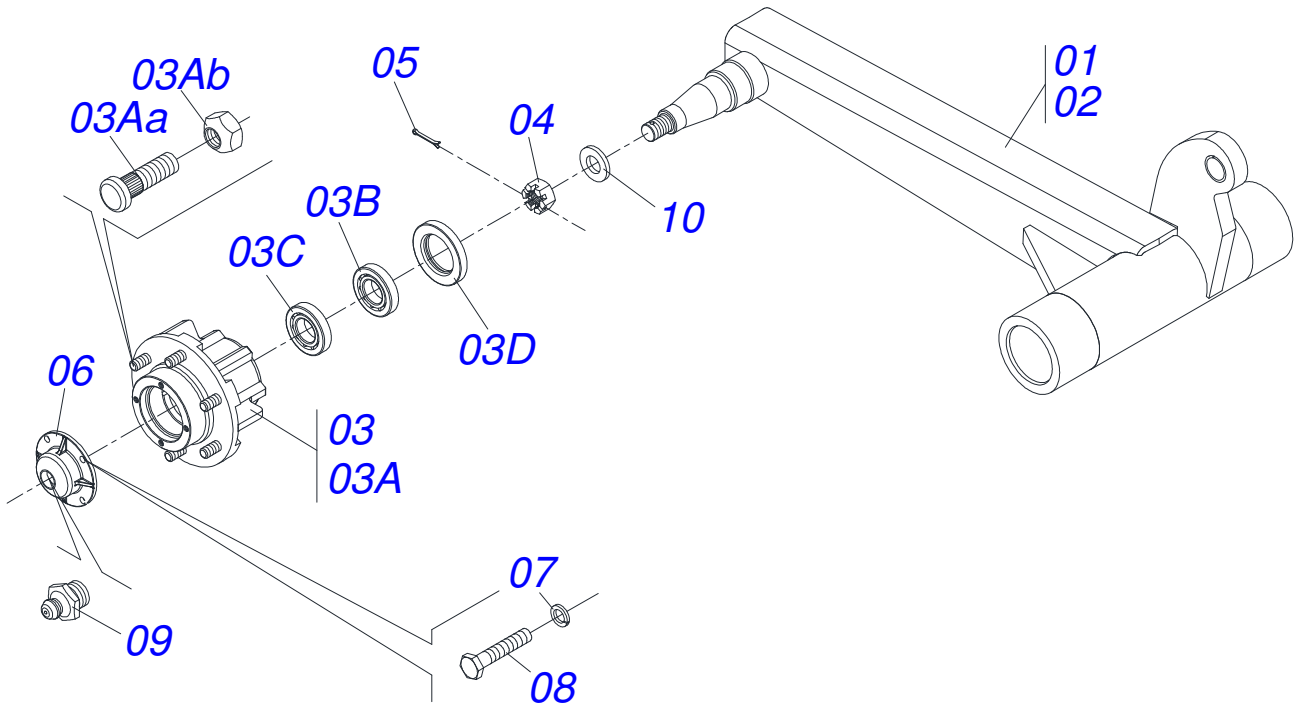
Item	Code	Description	See page	QT
01	0521063411	CYLINDER CASE		01
02	0521010421	HYDRAULIC CYLINDER TURNBUCKLE		01
03	0571019710	1.7" X 3.4" PISTON		01
04	0571019711	RING SUPPORT		01
05	0571019709	DETACHABLE COVER		01
06	0502040747	FORK		01
07	0503011094	3/8" X 2" BOLT C C S I 12.9		01
08	0503011443	SPRING WASHER		01
09	0503010026	3/8" NUT		01
10	0511018115	1.8" X 0.1" 0.7" BUSHING		01
11	0503011148	3/8" X 1/2" BOLT		01
12	0503010042	2-214 N 3006-9B O'RING		01
13	0503010063	1" SELF-ALIGNING NUT		01
14	0503010948	W4-3346-590 PK RING G.E		01
15	0503010949	W2-2000-500 PK RING G.E		01
16	0503017937	GASKET		01
17	0503010761	D-1750 SCRAPER RING		01
18	0503017939	2-337 N 3006-9B O' RING		01
19	0503017940	8-337 BACK-UP RING		01
20	0503030384	CON N-001 PLUG		02
21	0503012509	GASKET		02



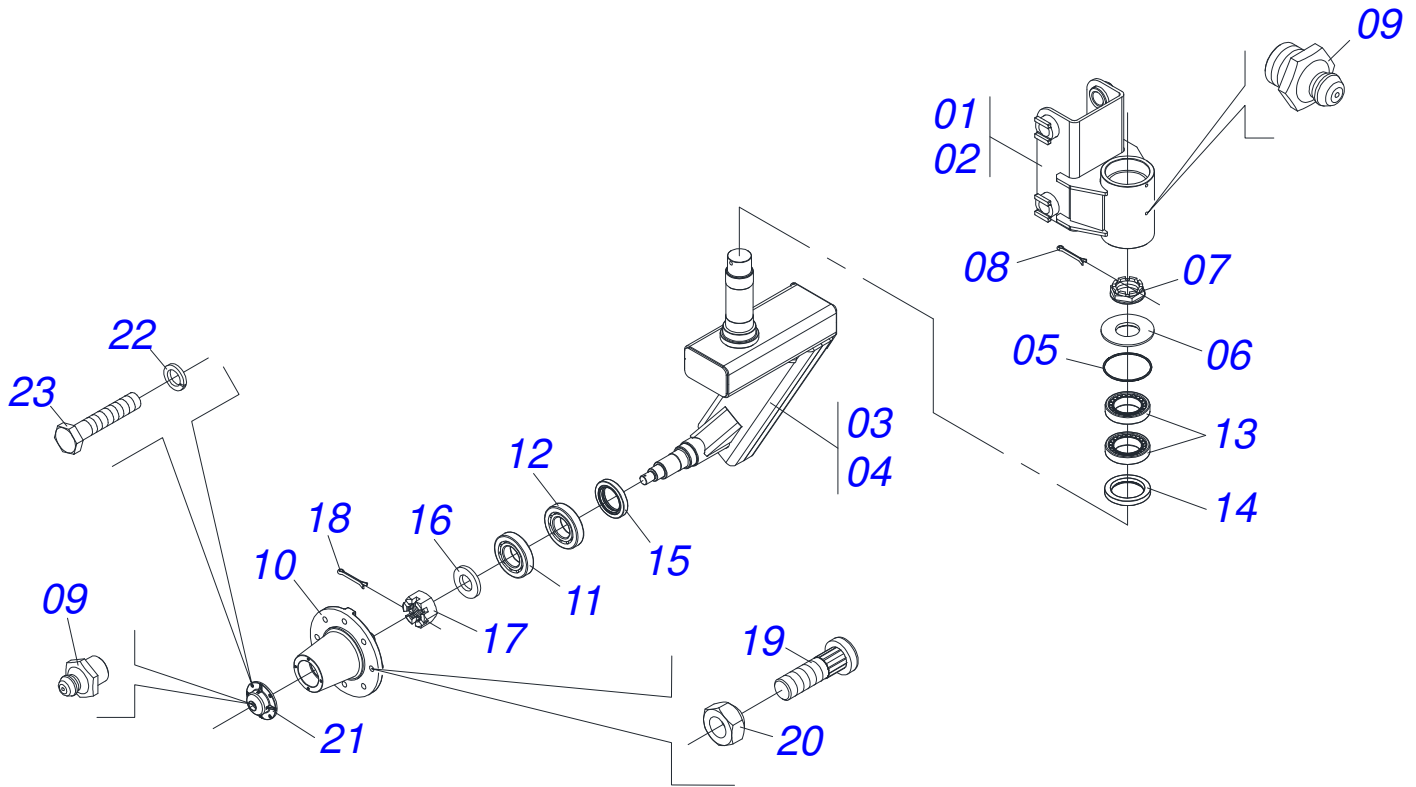
Item	Code	Description	See page	QT
01	0521062687	CYLINDER CASE		01
02	0521062686	53,98 X 555 TURNBUCKLE		01
03	0503015643	SEAL		01
04	0561016583	PISTON BODY		01
05	0502012645	PISTON BODY		01
06	0503030384	CON N-001 PLUG		02
07	0503010351	2-425 N 3006-9B O'RING		01
08	0503011062	8-425 BACK-UP RING		01
09	0502012646	RING SUPPORT		01
10	0502010382	5" HEAD		01
11	0503015642	U-CUP SEALING		01
12	0503015715	SCRAPER SEALING		01
13	0503015641	RING SLYDRING		01



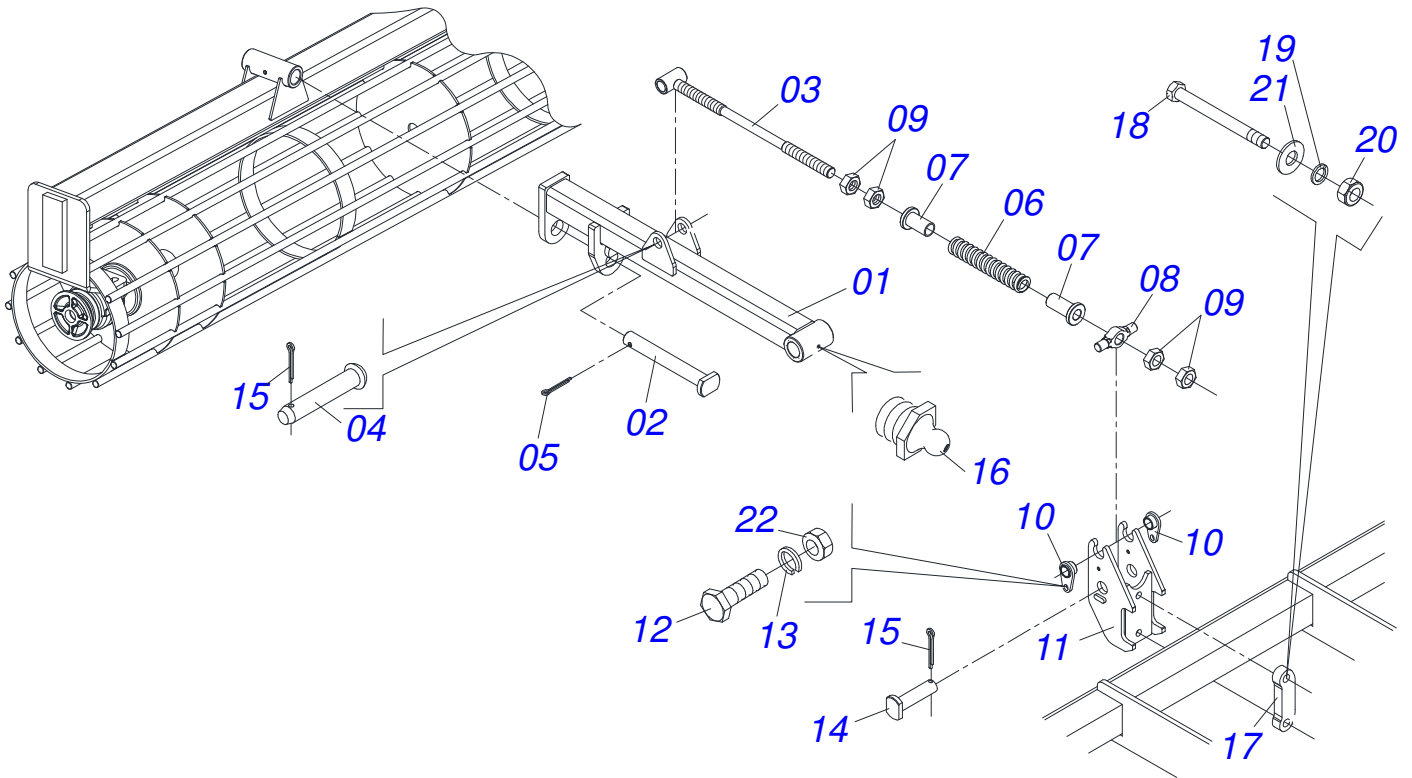
Item	Code	Description	See page	QT
01	0511051627	FLOW DIVIDING VALVE		01
01A	0503016227	FLOW DIVIDING VALVE		01
01B	0571010736	NIPPLE R1.1/16 UN X 13/16UN OFS		03
01C	0503011109	2-119 N 3006-9B O'RING		03
02	0521062967	OIL TUBE DISTRIBUTOR		01
03	0503011053	5/16" X 3" C S 6.5 ZN BOLT		02
04	0503010179	SPRING WASHER		02
05	0503010337	5/16" NUT		02
06	0503010190	2-114 N 3006-9B O'RING		14
07	0503011030	2-014 N 3006-9B O'RING		44
08	0501081757	1/2" X 5200 TR-TM HOSE		02
09	0503013273	T 1/2" MALE ADAPTER		02
10	0503013272	T 1/2" MALE ADAPTER ASSY		05
11	0511049943	HYDRAULIC CYLINDER	10	04
12	0521041022	HYDRAULIC CYLINDER		02
13	0503030923	3/4" UNF X 13/16UN OFS X 40 NIPPLE		08
14	0503032031	3/4" UNF REDUCTION NIPPLE		04
15	0501081784	1/2" X 2000 TR-TC HOSE		02
16	0501081761	1/2" X 2600 TR-TR HOSE ASSY		02
17	0501081228	1/2" X 3500 TR-TC HOSE		04
18	0501081096	1/2" X 2200 TR-TC HOSE		02
19	0501081760	1/2" X 2200 TR-TR HOSE		02
20	0501082180	1/2" X 7500 TR-TM HOSE		02
21	0501053834	MALE QUICK COUPLING AGRICULTURAL WITH COVER - 1/2 NPT		04
21A	0503011627	QUICK CONNECTION (MALE) AGR 1/2 NPT		04
21B	0503011882	QUICK CONNECTION COVER		04



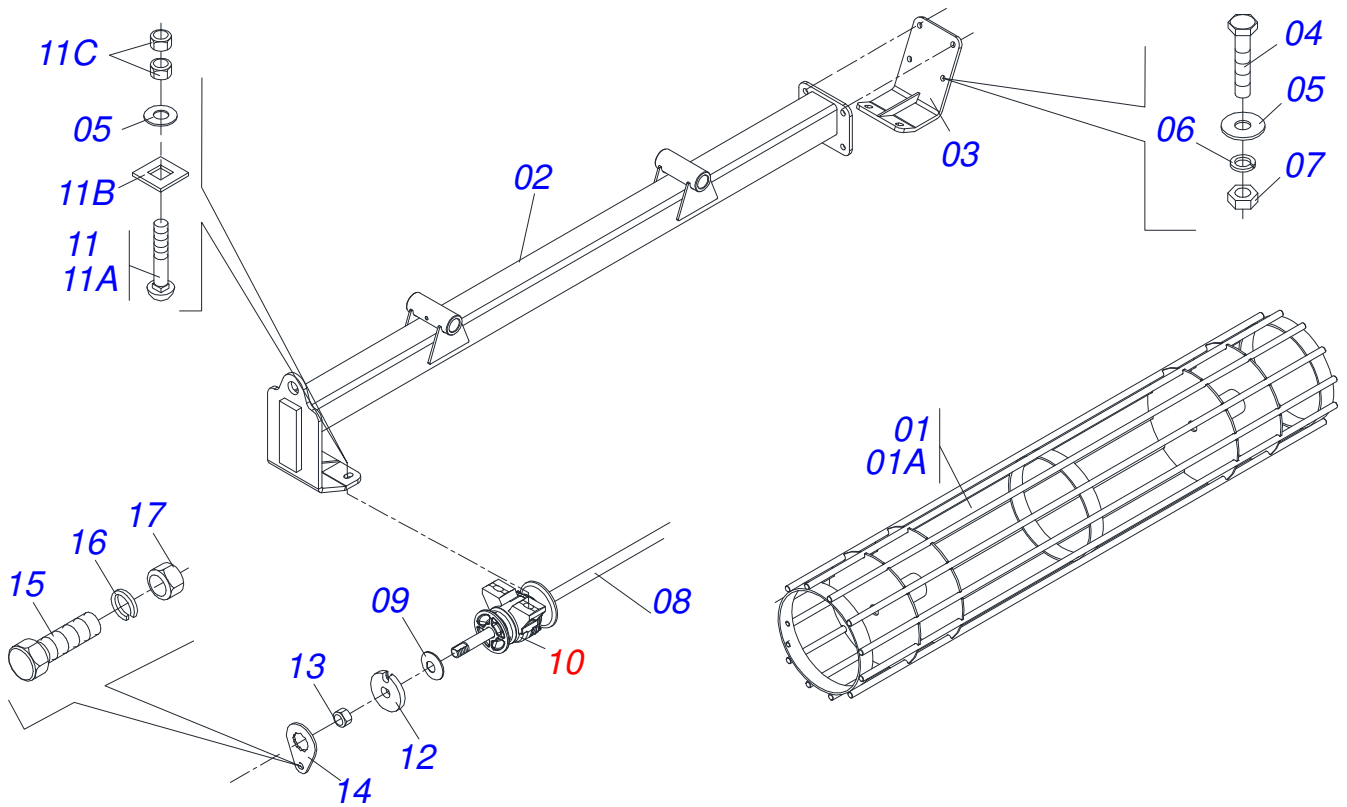
Item	Code	Description	See page	21	25
01	0501068416	RIGHT CARRYING-WHEELS		01	00
02	0501068417	LEFT CARRYING-WHEELS		00	01
03	0501051142	CARRYING WHEEL HUB		01	01
03A	0501110728	WHEEL HUB		01	01
03Aa	0501010127	9/16" X 1-7/8" LUG BOLT		01	01
03Ab	0503010035	9/16" CONIC NUT		01	01
03B	0503010006	32210 ROLLER BEARING		01	01
03C	0503010037	30207 ROLLER BEARING		01	01
03D	0503012928	SEAL		01	01
04	0503030009	1" CASTLE NUT		01	01
05	0503010018	5/32 X 1-1/2 COTTERPIN		01	01
06	0502020591	PROTECCION COVER		01	01
07	0503011444	SPRING WASHER		04	04
08	0503010358	5/16" X 5/8" BOLT		04	04
09	0503010002	1800 GREASE FITTING		01	01
10	0501016545	FLAT WASHER		01	01



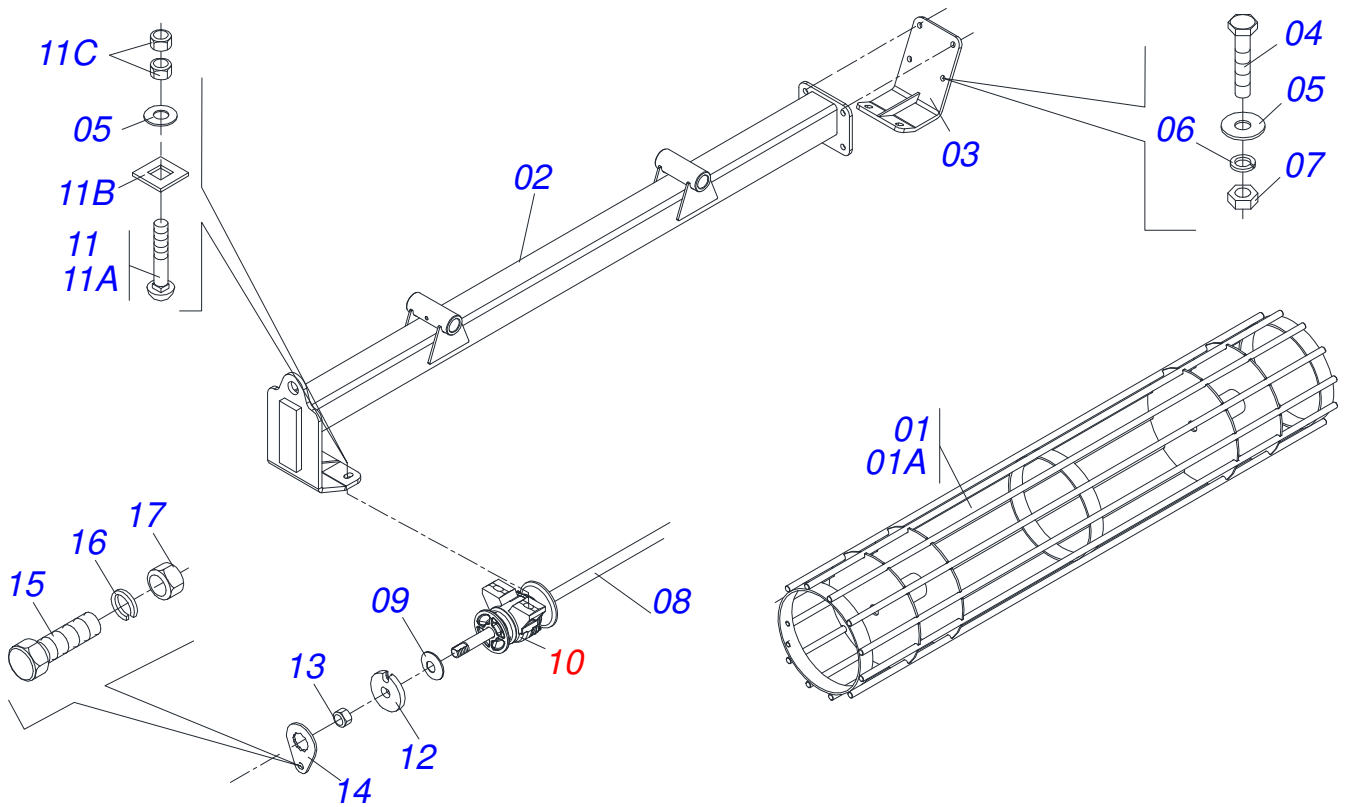
Item	Code	Description	See page	QT
01	0521063116	WHEEL SUPPORT RIGH		01
02	0521063117	WHEEL SUPPOT LEFT		00
03	0521063147	WHEEL ARM RIGH		01
04	0521063148	WHEEL ARM LEFT		00
05	0503012314	2-248 1G05195 O'RING		01
06	0541016926	HUB COVER		01
07	0502040080	2.1/2" UM FLANGE NUT		01
08	0503010073	3/8 X 3-1/2 COTTERPIN		01
09	0503010002	1800 GREASE FITTING		03
10	0502012260	CAIXA RODADO TRANSPORTE GCRO 2240		01
11	0503010008	ROLAMENTO 3780/37203		01
12	0503011156	ROLAMENTO 2780/2720 IMP		01
13	0503010059	33287/33462 ROLLER BEARING		02
14	0503010050	SEAL 00085-B		01
15	0503013314	RETENTOR 5166-GB 63,5 X 110 X 13 ARCA		01
16	0511012492	ARRUELA LISA 28 X 46 X 6,30		01
17	0503030009	1" CASTLE NUT		01
18	0503010018	5/32 X 1-1/2 COTTERPIN		01
19	0501010186	PARAFUSO ROD 5/8UNF X 2.1/8CR		08
20	0503010064	5/8 UNF CONIC NUT		08
21	0502020591	PROTECCION COVER		01
22	0503011444	SPRING WASHER		04
23	0503010358	5/16" X 5/8" BOLT		04



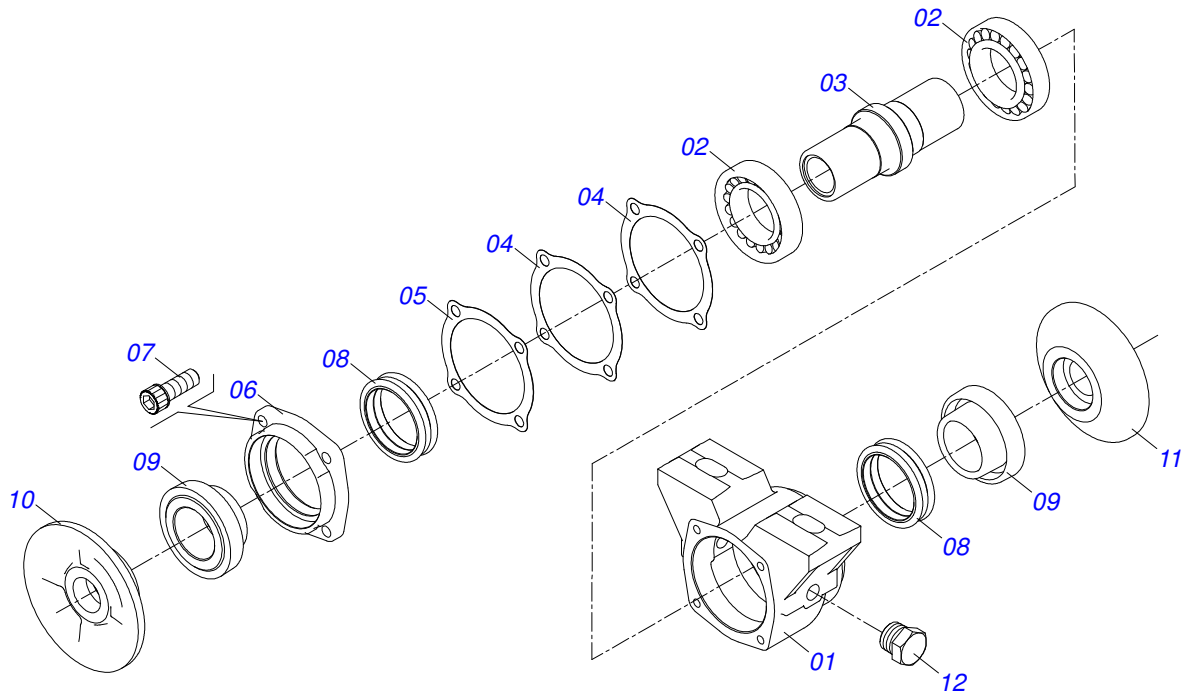
Item	Code	Description	See page	QT
00	0511051871	ARM BREAK ROLLER	14	01
01	0521063139	ARM ROLLER		01
02	0521010808	1.4" X 5.8" COUPLING SHAFT		01
03	0521063150	ASSY		01
04	0521010578	COUPLING SHAFT		01
05	0503010523	1/4" X 2" COTTERPIN		01
06	0503031575	2.5" X 12" X 0.5" COMPRESSION SPRING		01
07	0571011377	SPRING GUIDES SLEVE		02
08	0571011378	TRUNNION ARTICULATOR SPRING ROD		01
09	0501010059	1.5/8 NUT		04
10	0521063151	TRUNNION LOCK ARTICULATOR SPRING ROD		02
11	0521063134	FIXER ROLL		01
12	0503010920	1/2" X 1.1/2" BOLT		02
13	0503010019	1/2" SPRING WASHER		02
14	0521062685	PIVOT AXLE		01
15	0503012267	5/16" X 3" COTTER PIN		02
16	0503010002	1800 GREASE FITTING		01
17	0571011609	FIXER PLATE CUTTING DISC		01
18	0503014744	3/4 UNF X 7.1/2 C S G.7 ZN BOLT		02
19	0503010023	SPRING WASHER		02
20	0503010335	3/4"NUT		02
21	0511019685	FLAT WASHER		02
22	0503010060	1/2" NUT		02



Item	Code	Description	See page	QT
01	0521040834	BREAK ROLLER		01
01A	0521063140	BREAK ROLLER		01
02	0521063141	SUPPORT ARM ROLLER CENTER		01
03	0521062673	BRACKET MOBILE FIXER ROLLER		01
04	0501010100	5/8 UNC X 2 C S G.5 BOLT		04
05	0501012140	FLAT WASHER		08
06	0503011445	SPRING WASHER		04
07	0503010013	5/8" NUT		04
08	0501010752	1.1/4" X 500 AXLE		02
09	0531018575	ARRUELA CONCAVA 33,50X 140X 4,75		02
10	0501046922	7.5" X 1-1/4" OIL BATH BEARING	17	02
11	0501058802	5/8 UNC X 2.3/4 BOLT ASSY		04
11A	0503015154	5/8" X 2.3/4" BOLT		04
11B	0501010947	5/8 NUT LOCK		04
11C	0503010013	5/8" NUT		08
12	0502010835	1-1/4" EXTERNAL AXLE WASHER		04
13	0501010087	1.1/4" NUT		04
14	0501010455	1.1/4" NUT LOCK		04
15	0501010161	1/2" X 1.1/4" BOLT		04
16	0503011440	SPRING WASHER		04
17	0503010060	1/2" NUT		04



Item	Code	Description	See page	QT
01	0521043485	BREAK ROLLER 1950 STAC 21L		01
01A	0521063260	BREAK ROLLER		01
02	0521064579	BREAK ROLLER SUPPORT		01
03	0521062673	BRACKET MOBILE FIXER ROLLER		01
04	0501010100	5/8 UNC X 2 C S G.5 BOLT		04
05	0571010265	FLAT WASHER		08
06	0503011445	SPRING WASHER		04
07	0503010013	5/8" NUT		04
08	0501010752	1.1/4" X 500 AXLE		02
09	0531018575	ARRUELA CONCAVA 33,50X 140X 4,75		02
10	0501046922	7.5" X 1-1/4" OIL BATH BEARING	17	02
11	0501058802	5/8 UNC X 2.3/4 BOLT ASSY		04
11A	0503015154	5/8" X 2.3/4" BOLT		04
11B	0501010947	5/8 NUT LOCK		04
11C	0503010013	5/8" NUT		08
12	0502010835	1-1/4" EXTERNAL AXLE WASHER		04
13	0501010087	1.1/4" NUT		04
14	0501010455	1.1/4" NUT LOCK		04
15	0501010161	1/2" X 1.1/4" BOLT		04
16	0503011440	SPRING WASHER		04
17	0503010060	1/2" NUT		04



Item	Code	Description	See page	QT
01	0502010540	HOUSING DM		01
02	0503010111	30210 ROLLER BEARING		02
03	0502040218	AXLE		01
04	0503030013	4.4" X 3.5" X 0.004" JOINT		02
05	0503030684	4.4" X 3.5" X 0.004" JOINT		01
06	0502020424	HOUSING CAP DM		01
07	0503010134	3/8" X 1" BOLT		04
08	0503030026	SEAL LP JB-253		02
09	0502010541	SEAL RETAINER		02
10	0502010070	OUTER FLANGE		01
11	0502010071	INNER FLANGE		01
12	0503010856	OIL PLUG		01



email: civemasa@civemasa.com.br

www.civemasa.com.br

Phone: +55 16.3382.8222

Fax: +55 16.3382.8355

MARCHESAN IMPLEMENTOS E MÁQUINAS AGRÍCOLAS "TATU" S.A.

Av. Marchesan, 1979 - Post Office box, 131 - Cep 15994-900 - Matão - Sp - Brasil

CNPJ 52.311.289/0001-63 | Inst. Est.441.000.151.114

Technical Publications: Elaboration

JOSÉ DOMINGOS GASPARI

Contact Catálogo:

E-mail = jgaspari@marchesan.com.br

Technical Publications: Revision

JOSÉ DOMINGOS GASPARI

**ORIGINAIS PARTS
CIVEMASA**