

**ROTARY CUTTERS**

**RTDC2 4500**

**Code:** 0501091618  
**Series:** S-0214  
**Revision:** 00  
**Revision Date:** MARÇO/2023

# PARTS CATALOGUE

***CIVEMASA***

A solid orange rectangular bar is positioned at the top left of the page, above the "PRODUCTS" heading.

# PRODUCTS

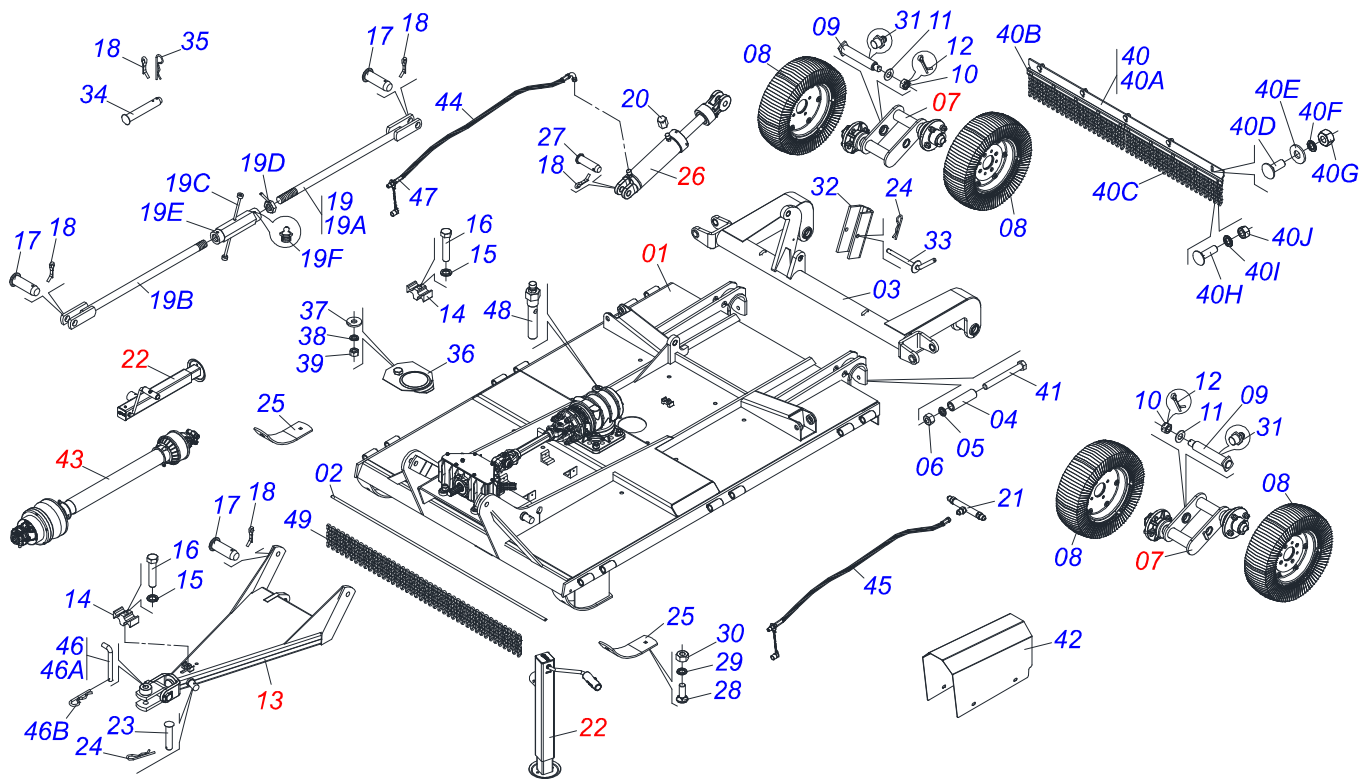
<b>Code</b>	<b>Description</b>
0121540019	RTDC2 4500 C/PROT CORR S-0214
0121540020	RTDC2 4500 S/PROT CORR EXP S-0214

## **ATTENTION: IMPORTANT**

CIVEMASA reserves the right to improve and/or modify the technical features of its products, without obligation to do the same with those products already sold and without prior knowledge of the dealer or the customer. The photos are only illustrative.

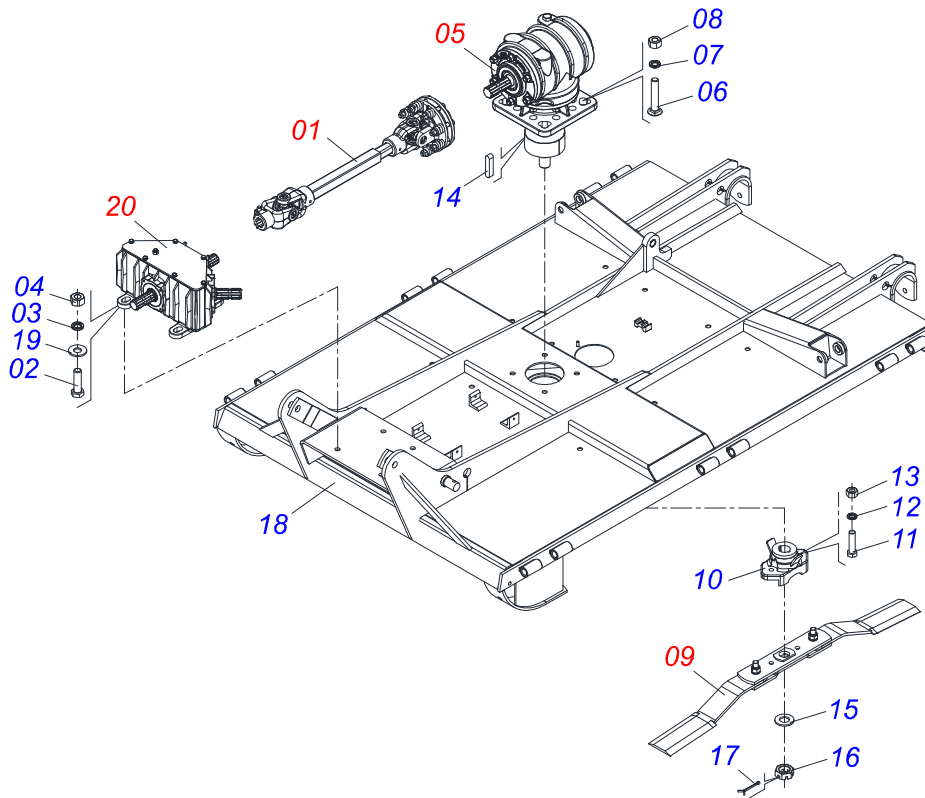
# INDEX

0909090395	CENTRAL CHASSIS	.....	1
0511055042	CENTER FRAME	.....	2
0511055456	DRAWBAR W/ COUPLING OF THE TRACTOR	.....	3
0501049130	DRIVE SHAFT	.....	4
0501047953	90 KGM FRICTION	.....	5
0501046948	MULTIPLIER	.....	6
0501056329	SUPPORT ROTARY CUTTER BLADES	.....	7
0501044074	TRIPE DISTRIBUTOR	.....	8
0501049129	DRIVE SHAFT	.....	9
0503062157	DRAWBAR JACK	.....	10
0511048941	ARM ASSY	.....	11
0511058441	HYDRAULIC CYLINDER 44,45 X 85,70 X 540 X 179	.....	12
0501048464	1.7" X 3.4" X 21" X 7" HYDRAULIC CYLINDER	.....	13
0909090190	RIGHT SIDE FRAME	.....	14
0511055031	RIGHT SIDE FRAME	.....	15
0501046978	SPEED MULTIPLIER	.....	16
0501056330	CUTTER BLADES ROTARY SUPPORT	.....	17
0501054971	SIDE WHEEL WITHOUT TIRE	.....	18
0511058442	HYDRAULIC CYLINDER	.....	19
0511041449	1.7" X 3.4" X 20" HYDRAULIC CYLINDER	.....	20
0501049131	DRIVE SHAFT	.....	21
0909090500	LEFT SIDE FRAME	.....	22
0511055032	LEFT SIDE FRAME	.....	23
0909091430	(SHEET METAL SUPPORT)SPARE	.....	24

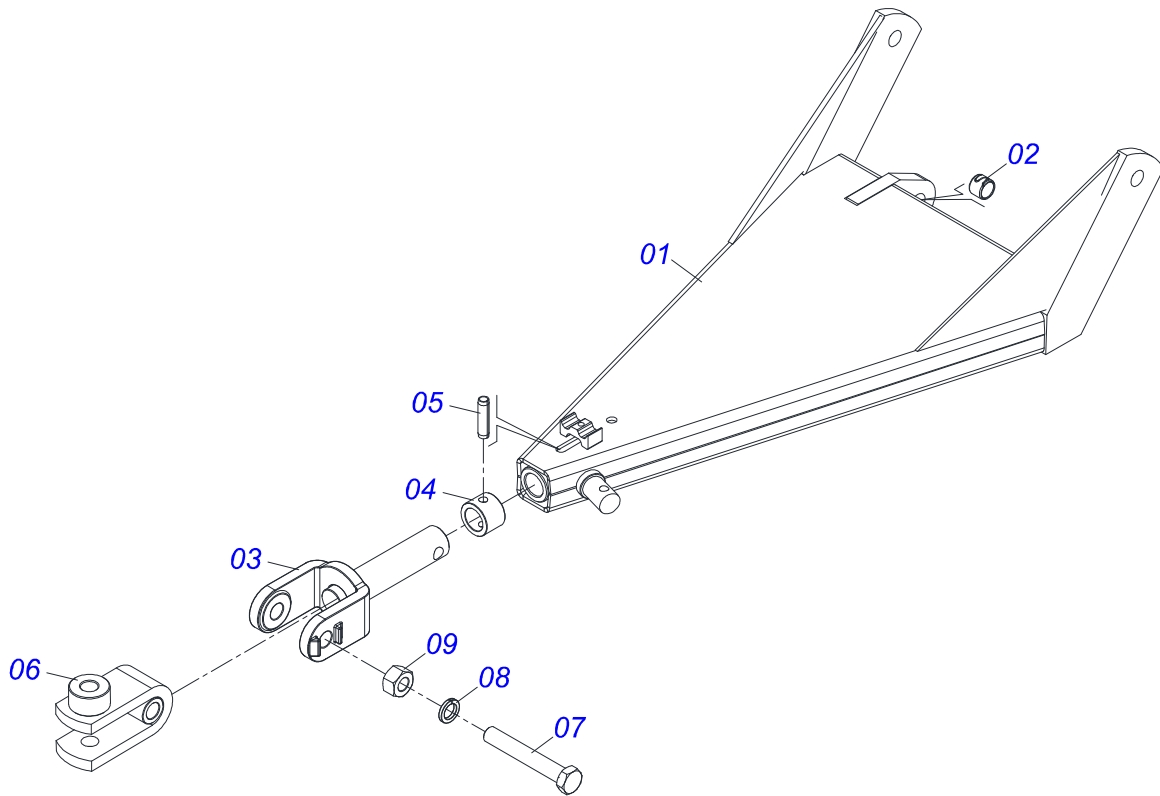


Item	Code	Description	See page	QT
01	0511055042	CENTER FRAME	2	01
02	0511012252	63" ROD OF THE CHAIN		01
03	0521061862	CENTRAL CARRYING WHEELS		01
04	0511017147	0.8" X 1.2" X 4.1" BUSHING		02
05	0503010023	3/4" SPRING WASHER		02
06	0503010014	3/4" HEX NUT		02
07	0511048941	ARM ASSY	11	02
08	0501043559	SEGMENTED WHEEL 525		04
09	0521061864	ROCKER ARM PIVOT SHAFT		02
10	0503030009	1" CASTLE NUT		02
11	0501010623	FLAT WASHER		02
12	0503010010	1/4" X 2.1/2" COTTERPIN		02
13	0511055456	DRAWBAR W/ COUPLING OF THE TRACTOR	3	01
14	1902012702	UPPER CLAMP BODY		02
15	0503010180	7/16" SPRING WASHER		02
16	0503012555	SCREW 7/16 UNC X 2 CS RT G.7 ZN		02
17	0521010572	0.9" X 2.9" COUPLING SHAFT		03
18	0503010571	1/4" X 1.1/2 COTTERPIN		07
19	0511055033	ROD STABILIZER		01
19A	0521064850	ROD STABILIZER		01
19B	0521064851	ROD STABILIZER		01
19C	0521064756	ADJUSTING NUT		01
19D	0501064974	LOCKNUT WITH HANDLER		01
19E	0501066104	VARON RIGTH JACK CABLE		01
19F	0503010002	1800 GREASE FITTING		02
20	0511017628	BREATHING HOLE OF THE CYLINDER HIDR		03
21	0501072676	OIL DISTRIBUTOR BODY		01
22	0503062157	DRAWBAR JACK	10	02
23	0521010549	COUPLING SHAFT		01
24	0503030168	HITCH PIN CLIP		02
25	0521018988	SKID MIDDLE GUIDE		02

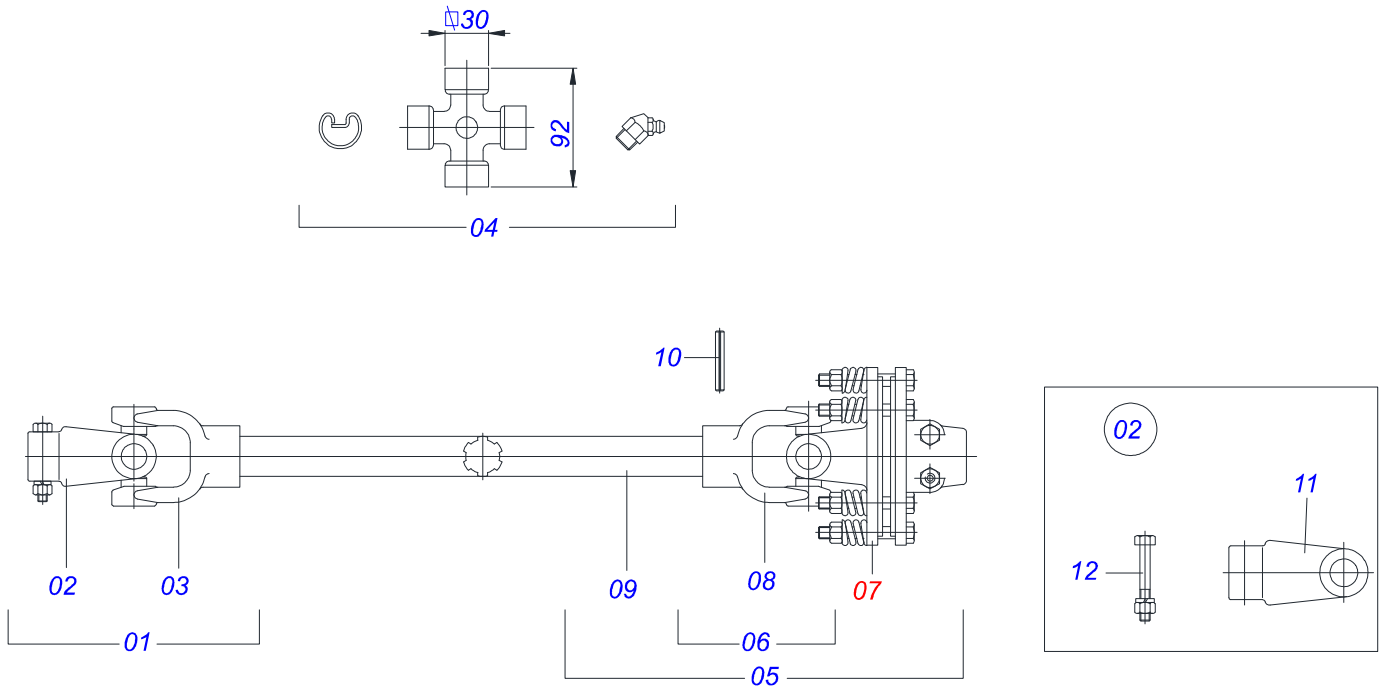
Item	Code	Description	See page	QT
26	0511058441	HYDRAULIC CYLINDER 44,45 X 85,70 X 540 X 179	12	01
27	0521010575	C0.9" X 3.3" COUPLING SHAFT		02
28	0503012956	1/2" X 1-1/2" BOLT		04
29	0503010019	1/2" SPRING WASHER		04
30	0503010020	1/2"NUT		04
31	0503010002	1800 GREASE FITTING		02
32	0521014258	LOCK BOLT		01
33	0501068994	8,30 X 78 LOCK PIN		01
34	0521010586	0.9" X 6.1" COUPLING SHAFT WITH 2 H		02
35	0503030012	HITCH PIN CLIP		02
36	0511010421	COVER CENTRAL BASE		01
37	0501010984	10,50 X 27 X 3,00 FLAT WASHER		01
38	0503010025	3/8 SPRING WASHER		01
39	0503010026	3/8" NUT		01
40	0511054959	CHAIN PROTECTION		01
40A	0571015858	CHAIN PROTECTION BODY		01
40B	0571015852	PROTECTION CLAW		02
40C	0511011774	8,00 CHAIN 4 LINK		42
40D	0501011600	1/2" X 1-1/4" BOLT		05
40E	0511017302	FLAT WASHER 13,50 X 32,50 X 3,0 ZN		05
40F	0503010019	1/2" SPRING WASHER		05
40G	0503010020	1/2"NUT		05
40H	0501010942	3/8" X 1-1/4" BOLT		10
40I	0503010025	3/8 SPRING WASHER		10
40J	0503010026	3/8" NUT		10
41	0503011198	C3/4" X 6" SCREW		02
42	0571015952	CENTRAL PROTECTION COVER		01
43	0501049129	DRIVE SHAFT	9	01
44	0501080362	3/8" X 177" TC-TM HOSE		01
45	0501080405	3/8" X 169" TR-TM HOSE		01
46	0501040343	DRAWBOLT ASSY		01
46A	0521010453	AXI SHAFT		01
46B	0503031035	HITCH PIN CLIP		01
47	0501053834	MALE QUICK COUPLER		01
48	0501110186	OIL SMALLER LEVEL INDICATOR		01
49	0511011774	8,00 CHAIN 4 LINK		105



Item	Code	Description	See page	QT
001	0501049130	DRIVE SHAFT	4	01
002	0501010125	3/4" X 2-1/2" BOLT		04
003	0503011442	3/4" SPRING WASHER		04
004	0503010014	3/4" HEX NUT		04
005	0501046948	MULTIPLIER	6	01
006	0503013122	3/4 UNC X 4.1/4 CAPQ G.5 ZNBOLT		04
007	0503011442	3/4" SPRING WASHER		04
008	0503010014	3/4" HEX NUT		04
009	0501056329	SUPPORT ROTARY CUTTER BLADES	7	01
010	0502012453	SUPPORT FLANGE		01
011	0503013394	3/4" X 3" BOLT		02
012	0503011442	3/4" SPRING WASHER		02
013	0503010014	3/4" HEX NUT		02
014	0501010536	KEYWAY SQUARE		02
015	0501017779	32 X 60 X 4.75 FLAT WASHER		01
016	0503010817	1.1/4" SELF LOCKING NUT		01
017	0503010067	3/16" X 2.1/2" COTTER PIN		01
018	0521064818	CENTER FRAME		01
019	0501010322	FLAT WASHER		04
020	0501044074	TRIPE DISTRIBUTOR	8	01

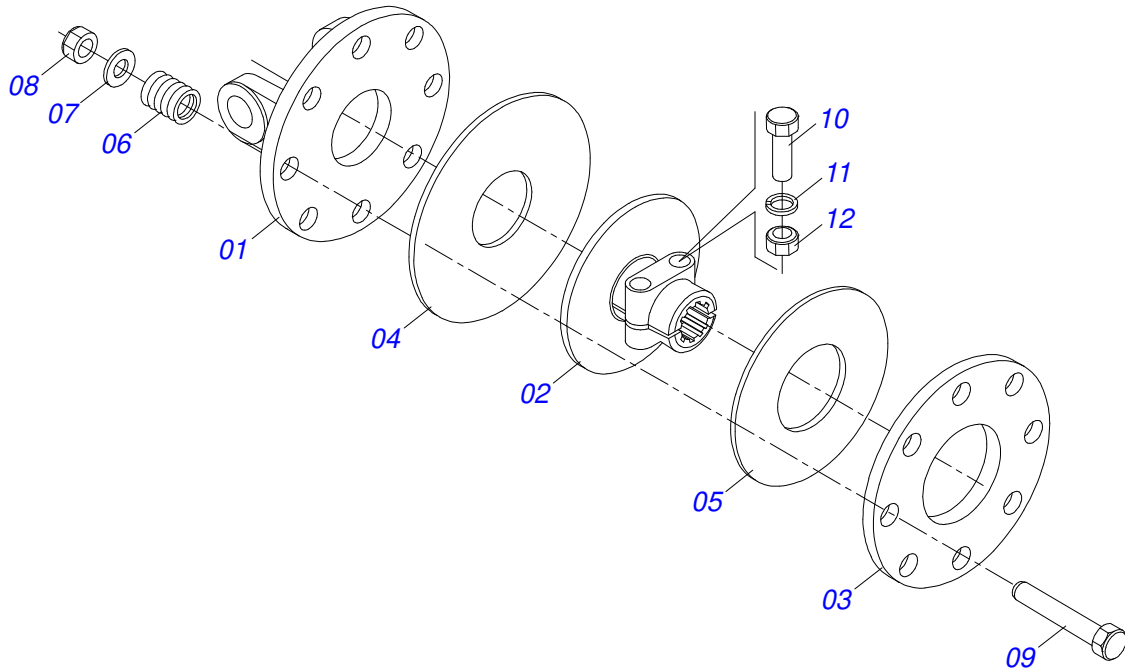


Item	Code	Description	See page	QT
01	0521064860	DRAWBAR		01
02	0511019921	1.3" X 0.1" X 1" SLEEVE		01
03	0521066536	ROTARY HITCH		01
04	0521010473	1.5" X 2.2" X 1.6" SLEEVE WITH HOLE		01
05	0503010815	0.5" X 2.16" SPRING PIN		01
06	0521065106	U COUPLING TRACTOR		01
07	0501010060	1" X 6-1/2" BOLT		01
08	0503011438	SPRING WASHER		01
09	0501010059	1.5/8 NUT		01

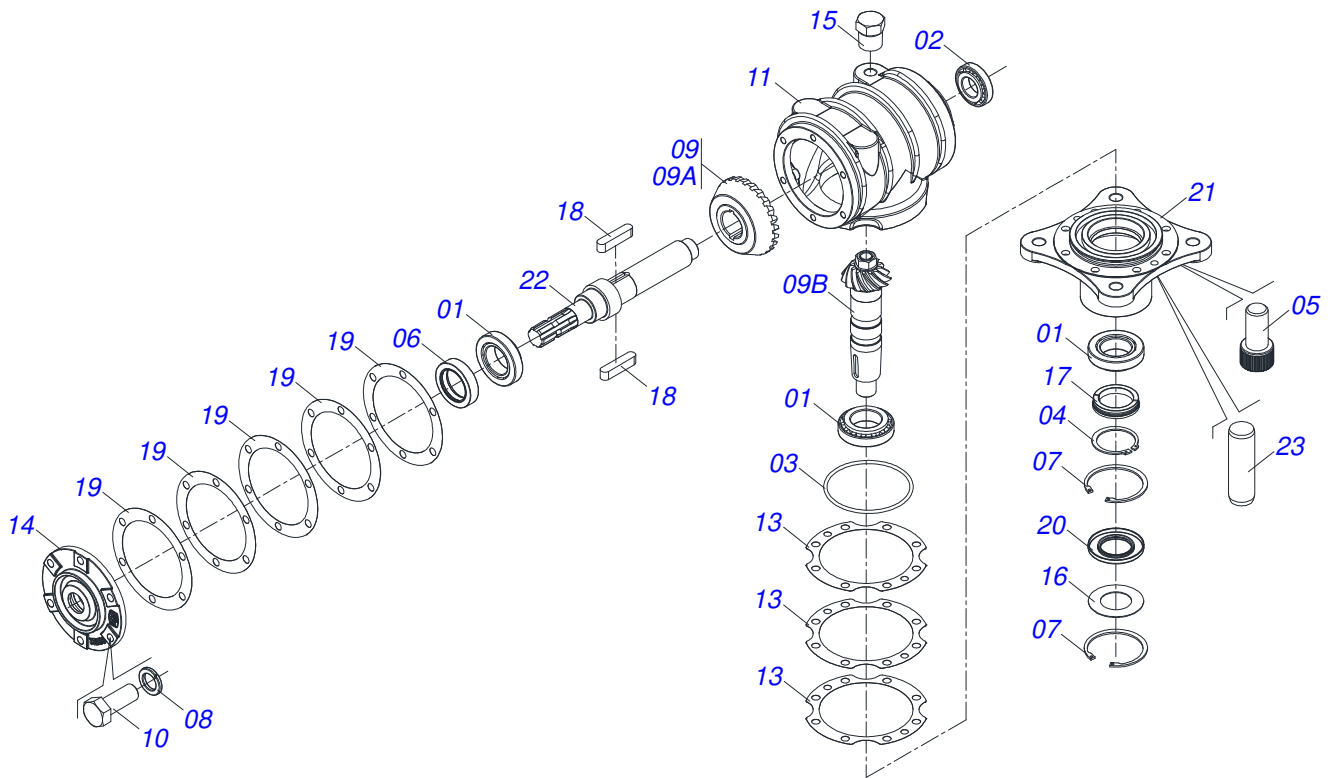


Item	Code	Description	See page	QT
01	0501052531	UNIVERSAL JOINT		01
02	0501052559	8-40 TERMINAL WITH SCREW		01
03	0503012611	T2-40E TERMINAL		01
04	0503012096	CROSSPIECE		02
05	0501052532	UNIVERSAL JOINT W/ CROSS/STR SHAFT		01
06	0501052533	UNIVERSAL JOINT WITH CROSSPIECE		01
07	0501047953	90 KGM FRICTION	5	01
08	0503012612	T2-40EF TERMINAL		01
09	0503012613	240 STRIATED AXLE		01
10	0503011877	0.3" X 2.4" SPRING PIN		01
11	0502011428	8-40 TERMINAL		01
12	0501047756	1/2" X 3" SET PARTS		01

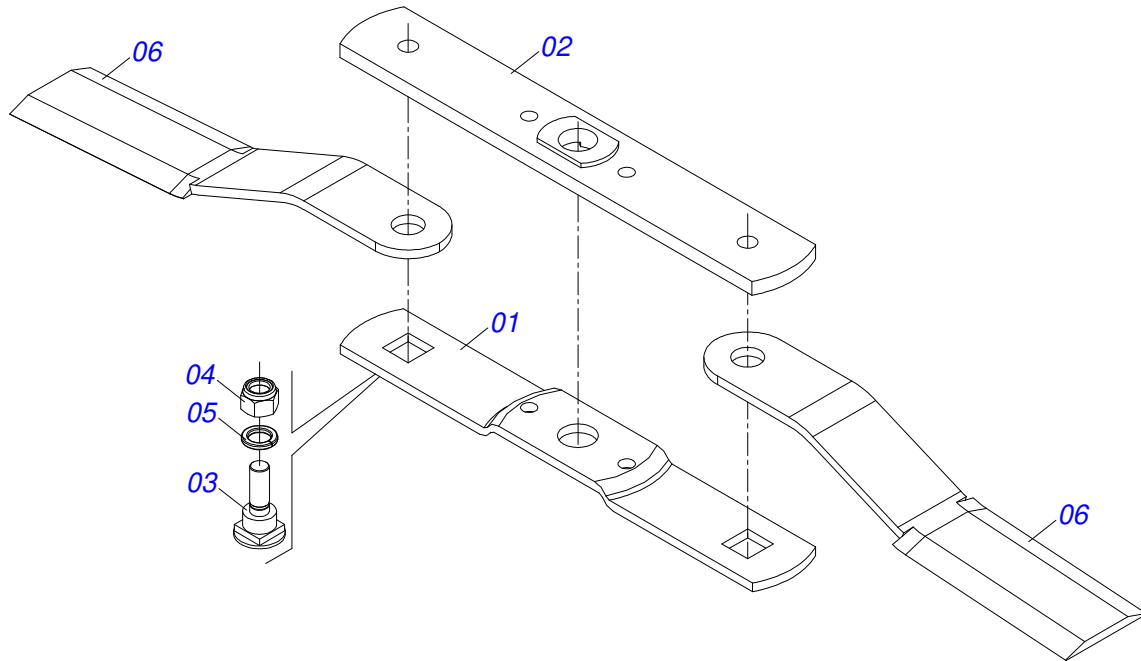




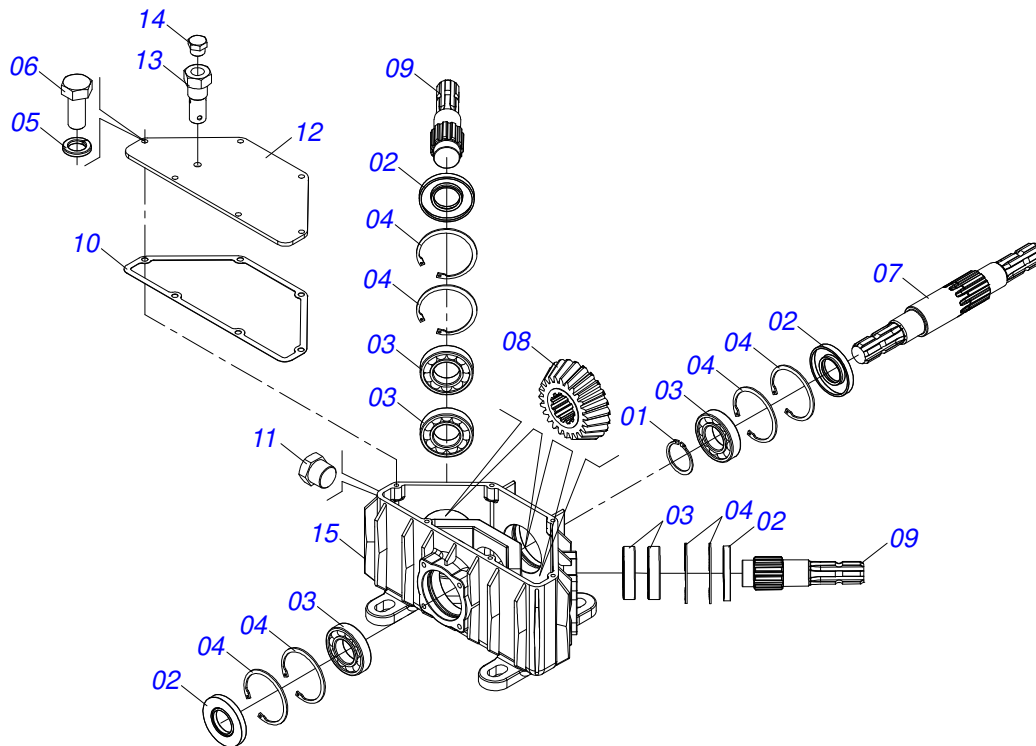
Item	Code	Description	See page	QT
01	0503012095	FRONT FLANGE		01
02	0503011869	CENTRAL FLANGE		01
03	0503011870	REAR FLANGE		01
04	0503031474	INNER FRICTION DISC		01
05	0503031478	OUTER FRICTION DISC		01
06	0503030630	1.02"X1.3"X0.2" COMPRESSION SPRING		08
07	0511017302	FLAT WASHER 13,50 X 32,50 X 3,0 ZN		08
08	0503011336	1/2" HEX SELF ADJUSTING NUT		08
09	0503010752	1/2" X 3.1/2" BOLT		08
10	0503010741	1/2" X 2-3/4" BOLT		02
11	0503010019	1/2" SPRING WASHER		02
12	0503010060	1/2 UNC G.5 ZN HEX NUT		02



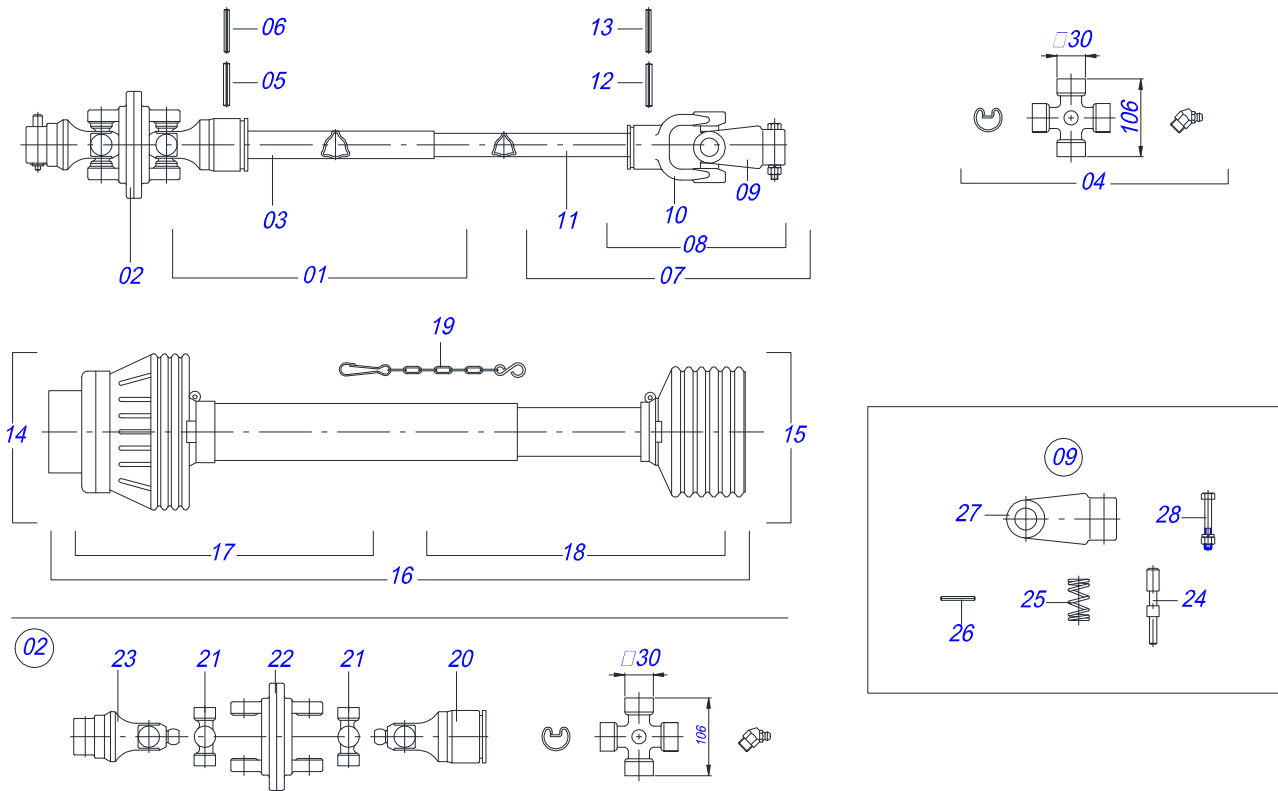
Item	Code	Description	See page	QT
01	0503010006	32210 ROLLER BEARING		03
02	0503010037	30207 ROLLER BEARING		01
03	0503010286	2-355 N 3006-9B O'RING		01
04	0503010396	501060 CLAMPING RING (FOR AXLE)		01
05	0503010562	1/2" X 1" BOLT		08
06	0503011171	00912-BRG SEAL		01
07	0503011190	SEAL RING		02
08	0503011440	SPRING WASHER		06
09	0503060211	CROWN PINION SET		01
09A	0503050069	25Z CONICAL GEAR		01
09B	0503061048	PINION		01
10	0503010395	1/2" X 1-1/4" BOLT		06
11	0502010984	LEFT MULTIPLIER BOX		01
12	3402301247	MINERAL OIL GREASE		2,5Lts
13	0503030785	7.9" X 5.9" X 0.008" JOINT		03
14	0502011152	SMALLER COVER		01
15	0503031604	1/2" BSP PLUG		01
16	0521018064	FLAT WASHER		01
17	0511010142	LOCK RING		01
18	0501010536	KEYWAY SQUARE		02
19	0503030783	7.1" X 5.3" X 0.008" JOINT		05
20	0503011047	5089 SEAL		01
21	0502011393	LOWER HUB		01
22	0503050067	UPPER AXLE		01
23	0503017877	PIN GUIDE		02



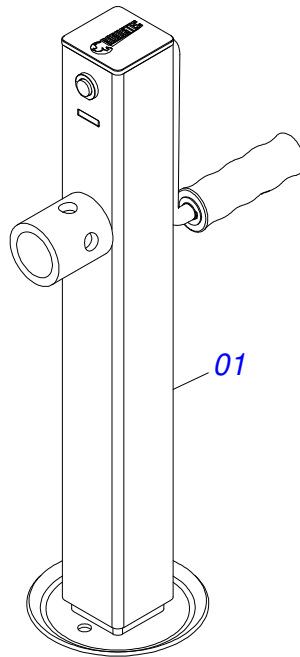
Item	Code	Description	See page	QT
01	0561017369	ROTARY LOWER SUPPORT LOWER		01
02	0561017307	SUPPORT UPPER BASE		01
03	0511019000	BOLT		02
04	0503010812	7/8" UNF SELF LOCKING NUT		02
05	0503011447	SPRING WASHER		02
06	0622400051	24.5" X 3.94" X 0.5" ROTARY CUTTER		02



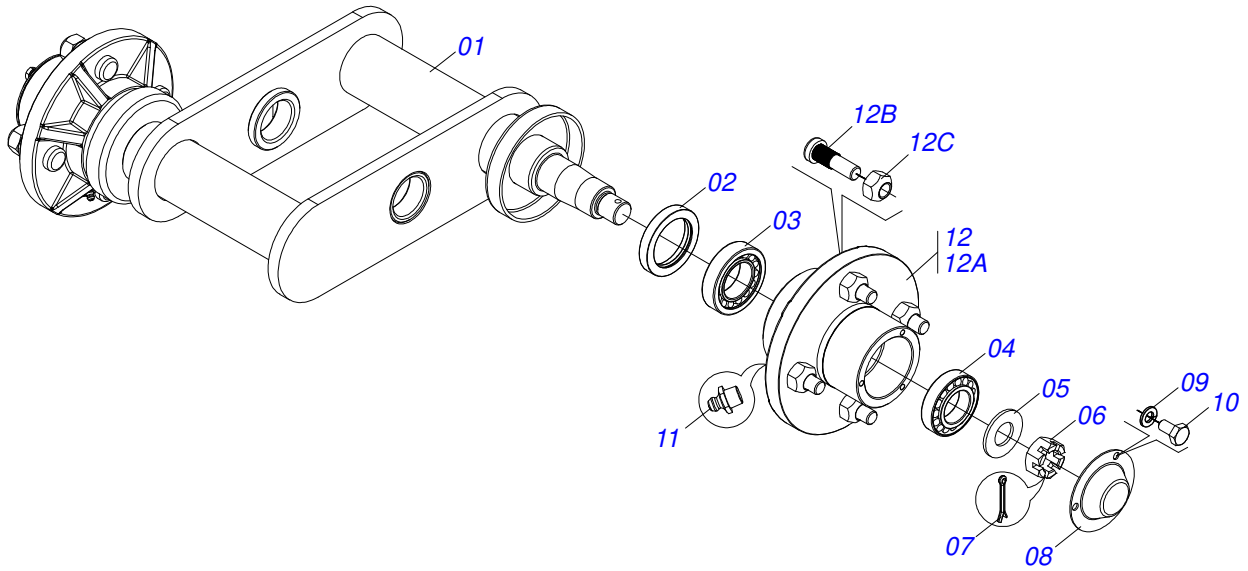
Item	Code	Description	See page	QT
01	0503010372	501050 CLAMPING RING (FOR AXLE)		01
02	0503010818	02675-BRG SEAL		04
03	0503011095	6208 BALL BEARING		06
04	0503011100	502080 CLAMPING RING (FOR AXLE)		08
05	0503011444	SPRING WASHER		06
06	0503010240	BOLT		06
07	0503030631	CENTRAL AXLE		01
08	0503030632	24Z CONICAL GEAR		03
09	0503030633	SIDE AXLE		02
10	0503030656	13.9" X 6.1" X 0.03" JOINT		01
11	0503010856	OIL PLUG		01
12	0511011206	BOX COVER		01
13	0511013020	1.49" BREATHING HOLE		01
14	0511017907	1/8" BSPT X 6 PLUG		01
15	0502010861	DISTRIBUTOR BOX		01
16	3402301247	MINERAL OIL GREASE		02Lts



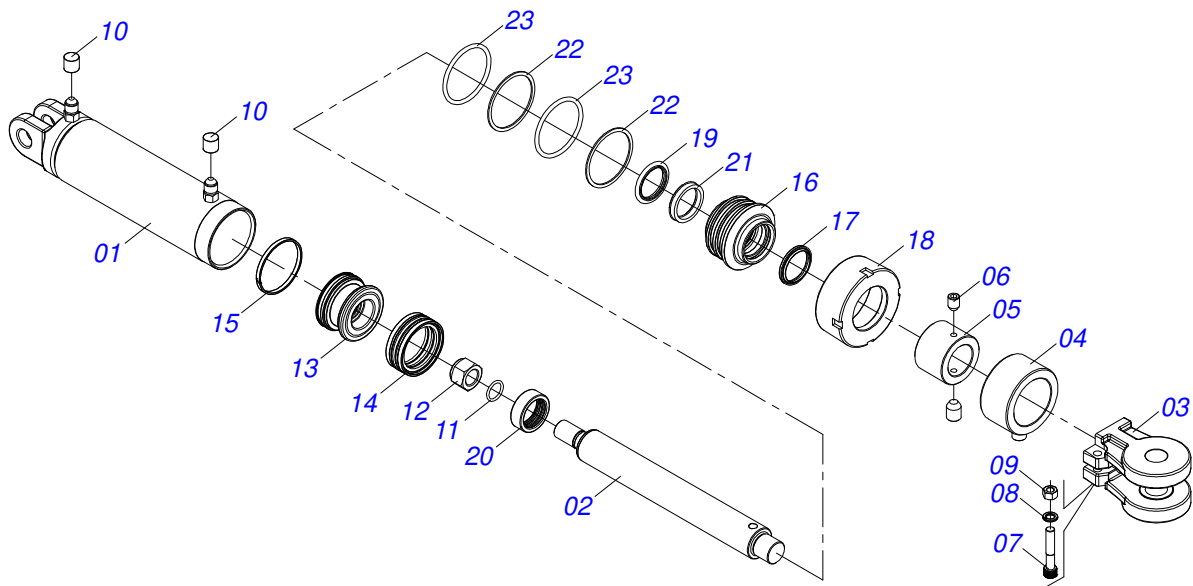
Item	Code	Description	See page	QT
01	0501052544	HOMO JOINT WITH FEMALE BUSHING		01
02	0501052518	HOMOCINETIC JOINT ASSY		01
03	0503012618	2.1" X 2.0" X 31" TRIAN FEMALE TUB		01
04	0503010837	CARDAN CROSSPIECE		01
05	0503010843	0.4" X 3.3" SPRING PIN		01
06	0503011878	0.2" X 3.3" SPRING PIN		01
07	0501052545	UNIVERSAL JOINT WITH CROSS/SHAFT		01
08	0501052546	UNIVERSAL JOINT		01
09	0501052516	T6-60 TERMINAL WITH SCREW		01
10	0503012600	T3-60/CI52 TERMINAL		01
11	0503012619	1.8" X 1.7" X 31" TRIAN MALE TUB		01
12	0503011069	0.4" X 2.8" SPRING PIN		01
13	0503011805	0.2" X 2.8" SPRING PIN		01
14	0501052548	HOMO JOINT WITH PROT FEMALE BUSHING		01
15	0501052549	UNIVERSAL JOINT WITH SHAFT/PROT		01
16	0503012620	PROTECTION ASSY		01
17	0503012621	PROTECTION FOR HOMO JOINT AND SLEEV		01
18	0503012076	PROTECTION FOR UNIV JOINT AND AXLE		01
19	0503012023	CHAIN FOR PROTECTION		01
20	0503012604	HOMO TERMINAL W/ FEMALE BUSHING		01
21	0503012605	CROSSPIECE		02
22	0503012606	CENTER BODY		01
23	0503012607	TRACTOR HOMOCINETIC TERMINAL		01
24	0503037375	PIN QUICK COUPLING		02
25	0503030518	0.5"X1.0"X 0.1" COMPRESSION SPRING		02
26	0503010838	0.1" X 0.8" SPRING PIN		02
27	0502010830	6-60 STRIATED 1.3/8" TERMINAL		01
28	0501047756	1/2" X 3" SET PARTS		02



Item	Code	Description	See page	QT
01	0503062157	DRAWBAR JACK	10	01

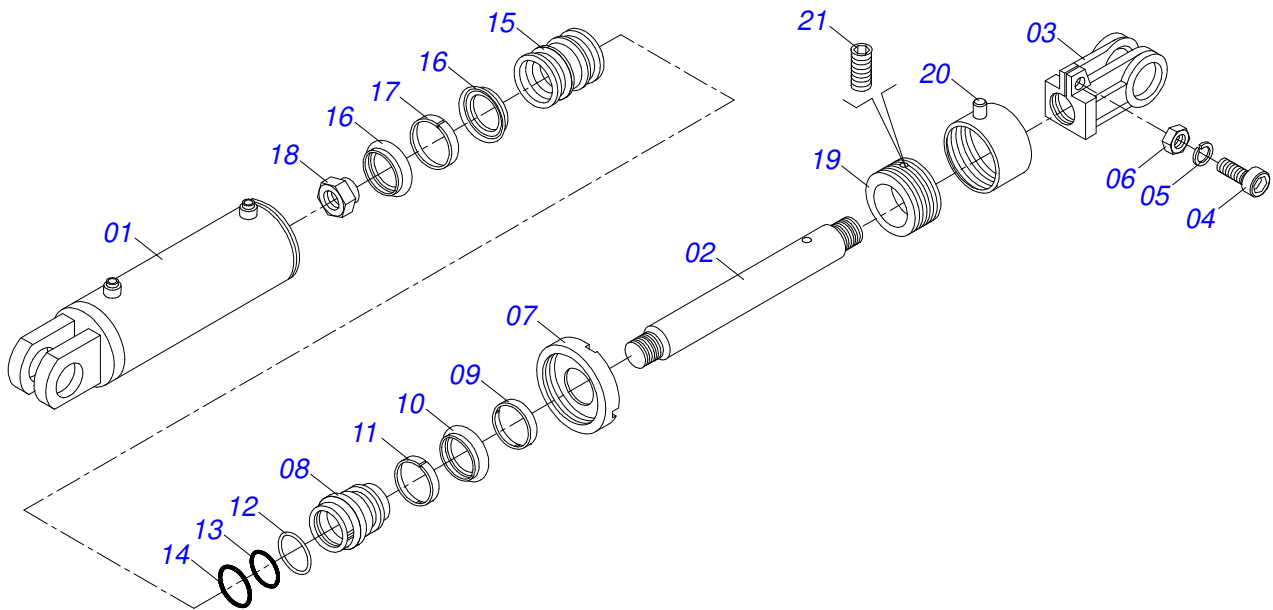


Item	Code	Description	See page
01	0521061863	REAR ROCKER ARM	01
02	0503010278	SEAL	02
03	0503010016	BEARING LM	02
04	0503010022	BEARING LM	02
05	0501010076	FLAT WASHER	02
06	0503030010	7/8" CASTLE NUT	02
07	0503010018	5/32 X 1-1/2 COTTERPIN	02
08	0521010388	PROTECTIVE COVER	02
09	0503011441	SPRING WASHER	06
10	0503013758	1/4" X 1-1/2" BOLT	06
11	0503010002	1800 GREASE FITTING	01
12	0501110746	CARRYING WHEEL HUB	02
12A	0502020605	CARRYING WHEEL HUB	01
12B	0501010127	9/16" X 1-7/8" LUG BOLT	04
12C	0503010035	9/16" CONIC NUT	04
13	1882970002	GREASE SOAP	0.001KI

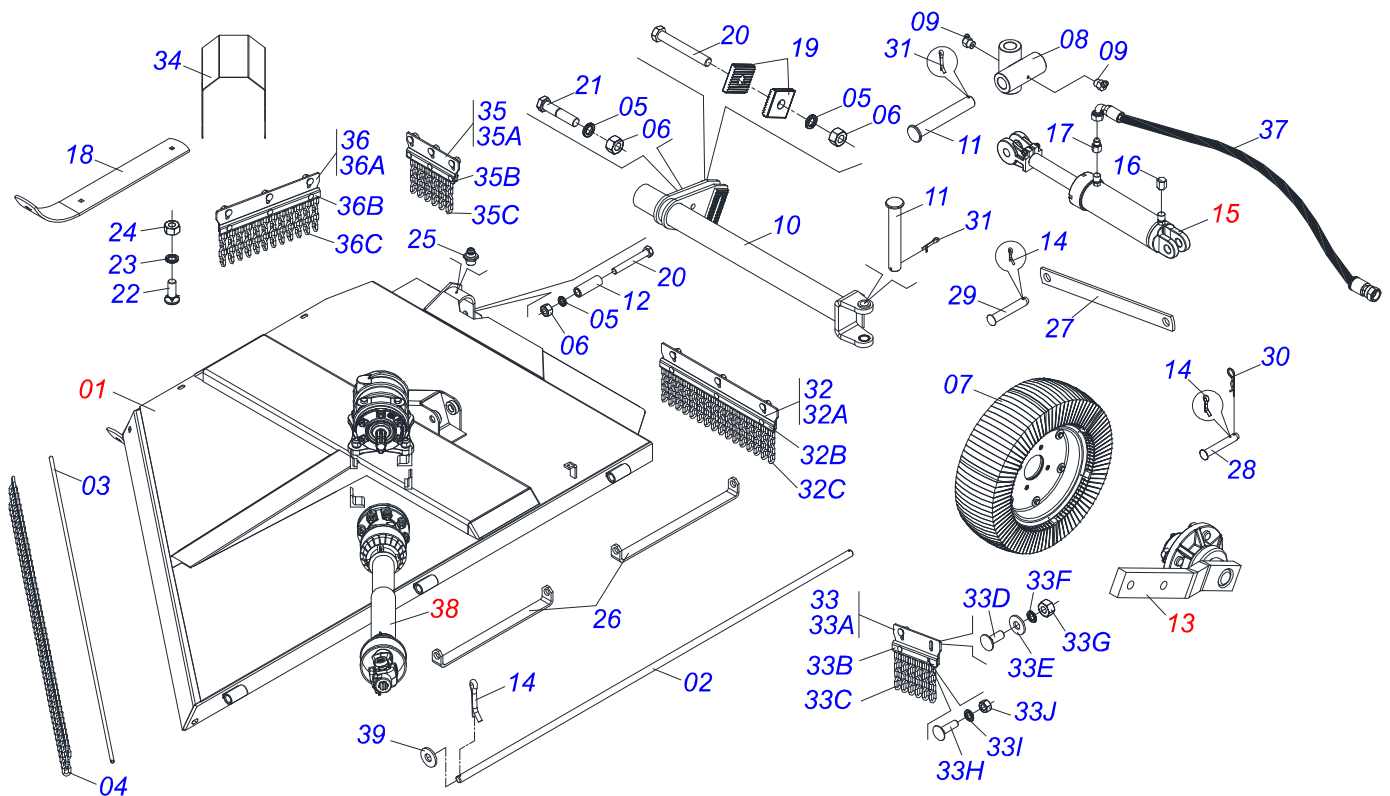


Item	Code	Description	See page	QT
01	0501064255	2.4" X 8" CYLINDER CASE		01
02	0521014292	1.7" X 15" TURNBUCLE WITH HOLES		01
03	0502040493	CLEVIS 26,50 R41		01
04	0511060370	CARRY-W REG OUTER BODY ASSY		01
05	0521014003	REG INNER BODY OF THE CARRY-WHEEL		01
06	0503011148	3/8" X 1/2" BOLT		02
07	0503011094	3/8" X 2" BOLT		01
08	0503010025	3/8 SPRING WASHER		01
09	0503010026	3/8" NUT		01
10	0503030385	CYLINDER PLUG N-002		02
11	0503010042	2-214 N 3006-9B O'RING		01
12	0503010063	1" SELF-ALIGNING NUT		01
13	0571019710	1.7" X 3.4" PISTON		01
14	0503017935	RING		01
15	0503018144	RING		01
16	0571019711	RING SUPPORT		01
17	0503010761	D-1750 SCRAPER RING		01
18	0571019709	DETACHABLE COVER		01
19	0503017936	RING		01
20	0503017938	RING GUIDE		01
21	0503017937	GASKET		01
22	0503017940	8-337 BACK-UP RING		02
23	0503017939	2-337 N 3006-9B O' RING		02
24	0501031796	HYDRAULIC CYLINDER REPAIR KIT		



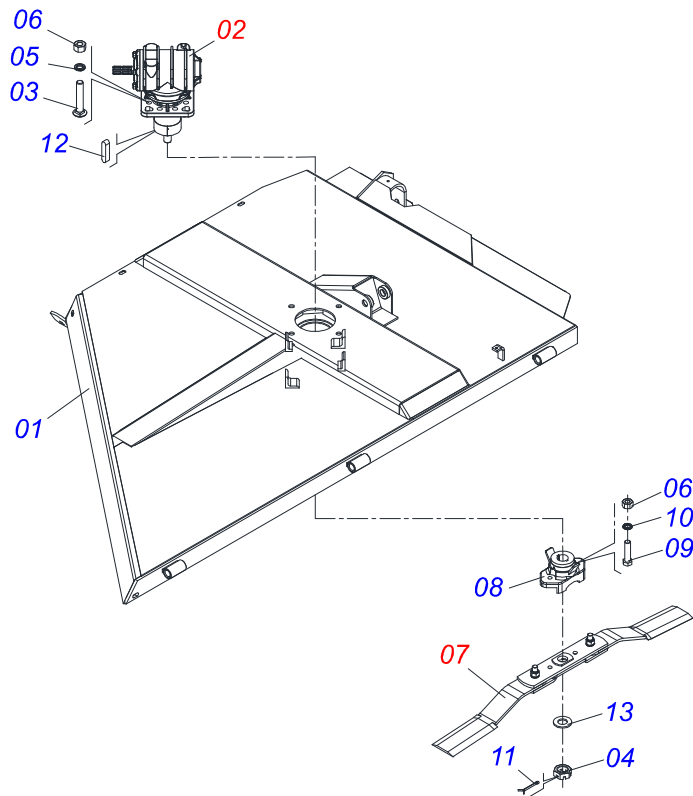


Item	Code	Description	See page	QT
01	0501064255	2.4" X 8" CYLINDER CASE		01
02	0521014292	1.7" X 15" TURNBUCLE WITH HOLES		01
03	0502040493	CLEVIS 26,50 R41		01
04	0503011094	3/8" X 2" BOLT		01
05	0503010025	3/8 SPRING WASHER		01
06	0503010026	3/8" NUT		01
07	0502010993	DETACHABLE COVER		01
08	0502010781	RING SUPPORT		01
09	0503010761	D-1750 SCRAPER RING		01
10	0503010990	GASKET		01
11	0503010949	W2-2000-500 PK RING G.E		01
12	0503011060	8-336 BACK-UP RING		01
13	0503010976	2-336 N 3006-9B O'RING		01
14	0503010042	2-214 N 3006-9B O'RING		01
15	0502010843	1.8" X 3.4" PISTON		01
16	0503010170	PACKING 3120 2750		02
17	0503010948	W4-3346-590 PK RING G.E		01
18	0503010063	1" SELF-ALIGNING NUT		01
19	0521014003	REG INNER BODY OF THE CARRY-WHEEL		01
20	0511060370	CARRY-W REG OUTER BODY ASSY		01
21	0503011148	3/8" X 1/2" BOLT		02
22	0501031796	HYDRAULIC CYLINDER REPAIR KIT		

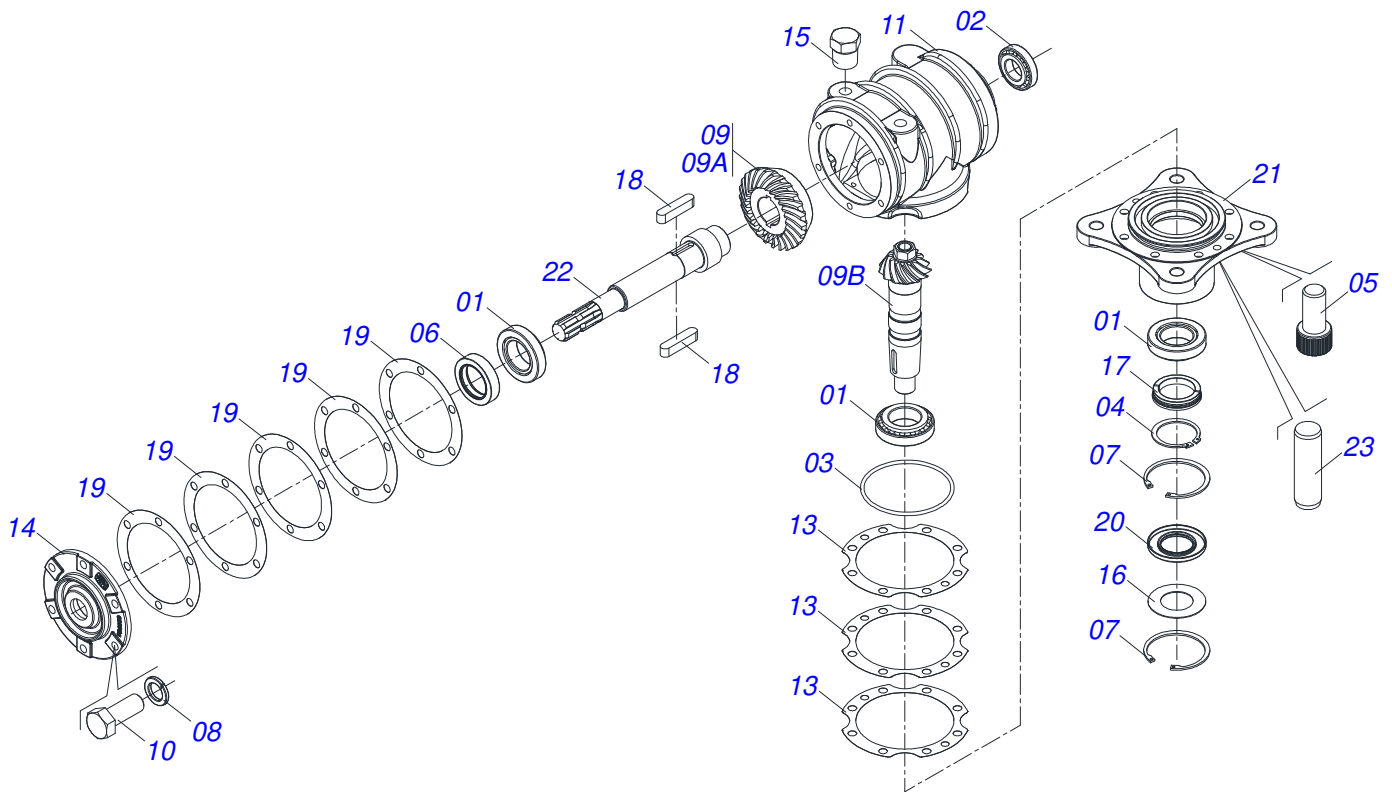


Item	Code	Description	See page	QT
01	0511055031	RIGHT SIDE FRAME	15	01
02	0511017535	ROD		01
03	0511012253	71.2" ROD OF THE CHAIN		01
04	0511011774	8,00 CHAIN 4 LINK		48
05	0503010023	3/4" SPRING WASHER		03
06	0503010014	3/4" HEX NUT		03
07	0501043559	SEGMENTED WHEEL 525		01
08	0511064945	CROSSPIECE		01
09	0503010003	1845 GREASE FITTING		02
10	0511064927	RIGHT SIDE CARRYING WHEELS SUPPORT		01
11	0521018993	CROSSPIECE COUPLING SHAFT		02
12	0511015929	0.8" X 1.2" X 3.6" BUSHING		01
13	0501054971	SIDE WHEEL WITHOUT TIRE	18	01
14	0503010571	1/4" X 1.1/2 COTTERPIN		03
15	0511058442	HYDRAULIC CYLINDER	19	01
16	0511017628	BREATHING HOLE OF THE CYLINDER HIDR		01
17	0511018012	HIDRAULIC ADAPTER		01
18	0521018989	SKID SIDE GUIDE		01
19	0502012231	SQUARE WASHER		02
20	0503013185	3/4" X 5-1/2" BOLT		02
21	0503012334	3/4" UNC X 3.1/2" BOLT		01
22	0503012956	1/2" X 1-1/2" BOLT		01
23	0503010019	1/2" SPRING WASHER		01
24	0503010020	1/2"NUT		01
25	0503010002	1800 GREASE FITTING		01
26	0531018343	SIDE FRAME PROTECTION		02
27	0511011755	LATERAL TRANSPORT LOCK		01
28	0521010586	0.9" X 6.1" COUPLING SHAFT WITH 2 H		01
29	0521010585	0.9" X 5.9" COUPLING SHAFT		01
30	0503030012	HITCH PIN CLIP		01
31	0503010523	1/4" X 2" COTTERPIN		02

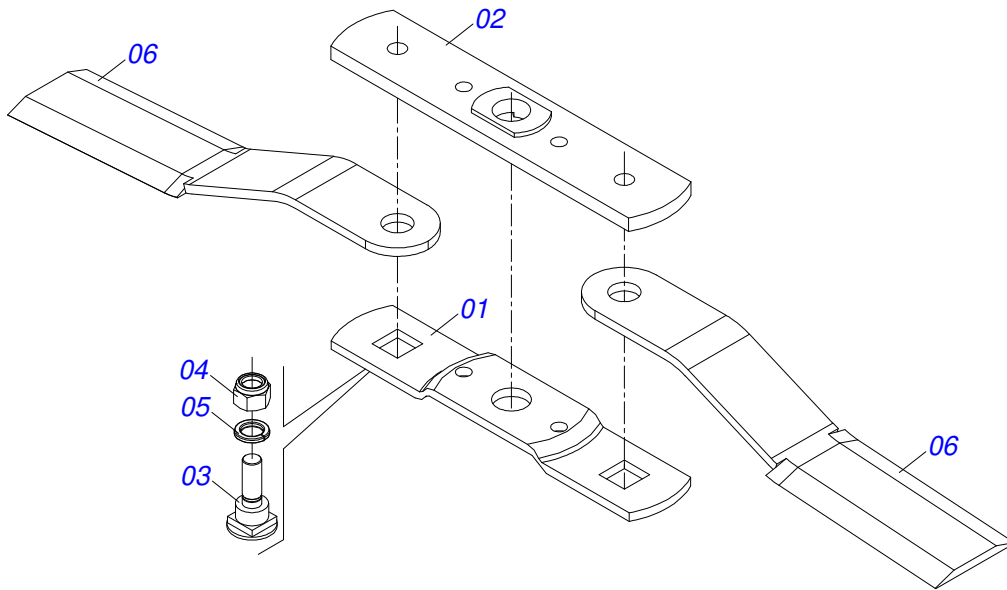
<b>Item</b>	<b>Code</b>	<b>Description</b>	<b>See page</b>	<b>QT</b>
32	0511054962	CURRENT PROTECTION		01
32A	0571015856	CHAIN PROTECTION BODY		01
32B	0571015849	PROTECTION CLAW		01
32C	0511011774	8,00 CHAIN 4 LINK		16
33	0511054961	CURRENT PROTECTION		01
33A	0571015855	CHAIN PROTECTION BODY		01
33B	0571015850	PROTECTION CLAW		01
33C	0511011774	8,00 CHAIN 4 LINK		06
33D	0501011600	1/2" X 1-1/4" BOLT		11
33E	0511017302	FLAT WASHER 13,50 X 32,50 X 3,0 ZN		11
33F	0503010019	1/2" SPRING WASHER		11
33G	0503010020	1/2"NUT		11
33H	0501010942	3/8" X 1-1/4" BOLT		11
33I	0503010025	3/8 SPRING WASHER		11
33J	0503010026	3/8" NUT		11
34	0531018035	COVER OF RIGHT PROTECTION		01
35	0511054963	CURRENT PROTECTION		01
35A	0571015857	CHAIN PROTECTION BODY		01
35B	0571015853	PROTECTION CLAW		01
35C	0511011774	8,00 CHAIN 4 LINK		06
36	0511054960	CURRENT PROTECTION		01
36A	0571015854	CHAIN PROTECTION BODY		01
36B	0571015851	PROTECTION CLAW		01
36C	0511011774	8,00 CHAIN 4 LINK		12
37	0501080396	3/8" X 45" HOSE		01
38	0501049131	DRIVE SHAFT	21	01
39	0511017302	FLAT WASHER 13,50 X 32,50 X 3,0 ZN		01



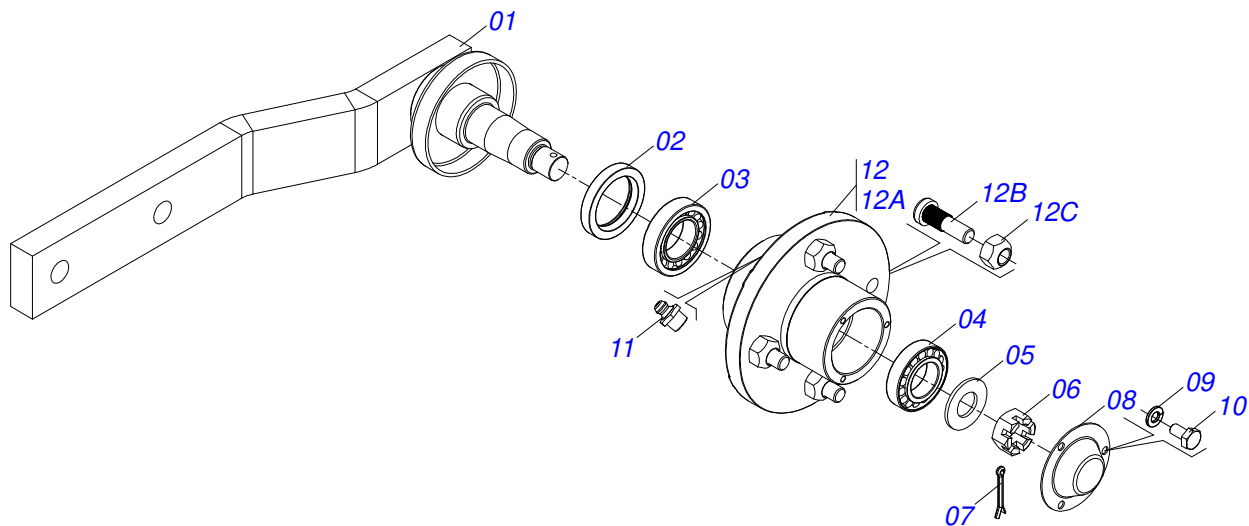
Item	Code	Description	See page	QT
01	0521064848	RIGHT SIDE FRAME		01
02	0501046978	SPEED MULTIPLIER	16	01
03	0503013122	3/4 UNC X 4.1/4 CAPQ G.5 ZNBOLT		04
04	0503011052	1.1/4" X 0.77" CASTLE NUT		01
05	0503011442	3/4" SPRING WASHER		04
06	0503010014	3/4" HEX NUT		06
07	0501056330	CUTTER BLADES ROTARY SUPPORT	17	01
08	0502012453	SUPPORT FLANGE		01
09	0503013394	3/4" X 3" BOLT		02
10	0503011442	3/4" SPRING WASHER		02
11	0503010067	3/16" X 2.1/2" COTTER PIN		01
12	0501010536	KEYWAY SQUARE		02
13	0501017779	32 X 60 X 4.75 FLAT WASHER		01



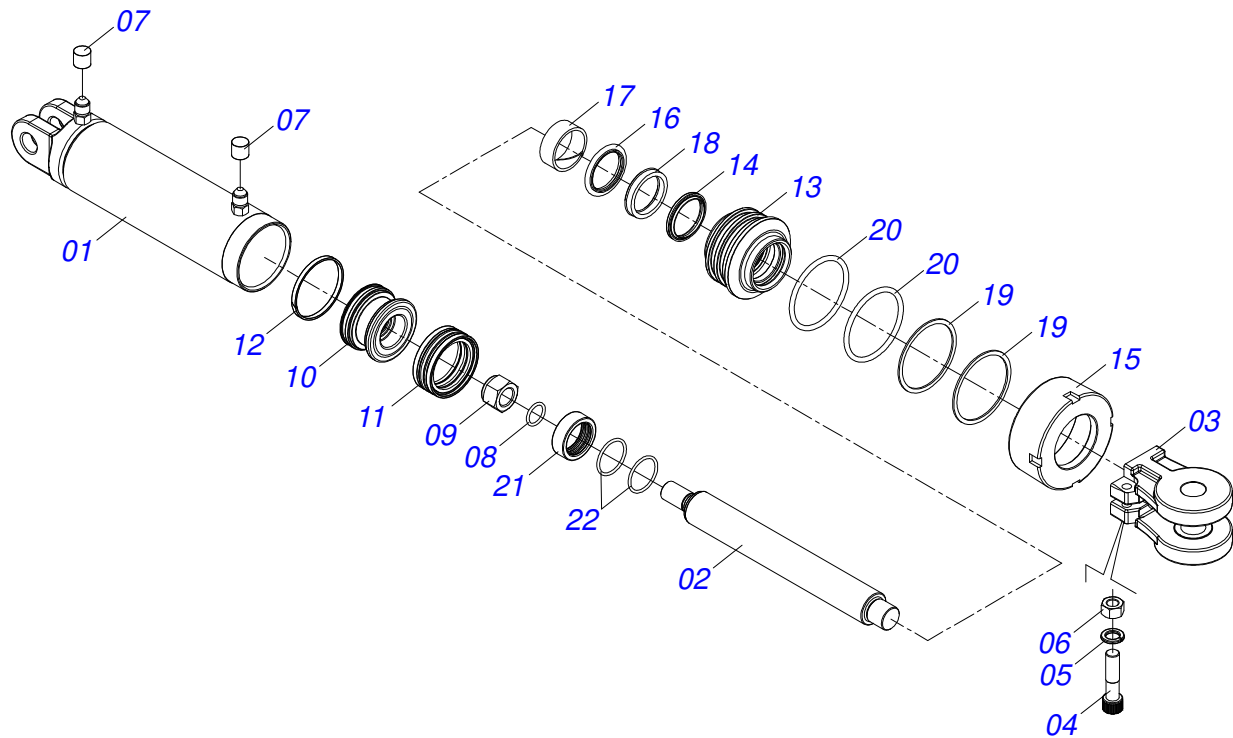
Item	Code	Description	See page	QT
01	0503010006	32210 ROLLER BEARING		03
02	0503010037	30207 ROLLER BEARING		01
03	0503010286	2-355 N 3006-9B O'RING		01
04	0503010396	501060 CLAMPING RING (FOR AXLE)		01
05	0503010562	1/2" X 1" BOLT		08
06	0503011171	00912-BRG SEAL		01
07	0503011190	SEAL RING		02
08	0503011440	SPRING WASHER		06
09	0503060211	CROWN PINION SET		01
09A	0503050069	25Z CONICAL GEAR		01
09B	0503061048	PINION		01
10	0503010395	1/2" X 1-1/4" BOLT		06
11	0502010983	RIGHT MULTIPLIER BOX		01
12	3402301247	MINERAL OIL GREASE		2,5Lts
13	0503030785	7.9" X 5.9" X 0.008" JOINT		03
14	0502010986	SMALLER COVER		01
15	0503031604	1/2" BSP PLUG		02
16	0521018064	FLAT WASHER		01
17	0511010142	LOCK RING		01
18	0501010536	KEYWAY SQUARE		02
19	0503030783	7.1" X 5.3" X 0.008" JOINT		05
20	0503011047	5089 SEAL		01
21	0502011393	LOWER HUB		01
22	0503050068	UPPER AXLE		01
23	0503017877	PIN GUIDE		02



Item	Code	Description	See page	QT
01	0561017368	ROTARY LOWER SUPPORT		01
02	0561017308	SUPPORT UPPER BASE		01
03	0511019000	BOLT		02
04	0503010812	7/8" UNF SELF LOCKING NUT		02
05	0503011447	SPRING WASHER		02
06	0622400051	24.5" X 3.94" X 0.5" ROTARY CUTTER		02

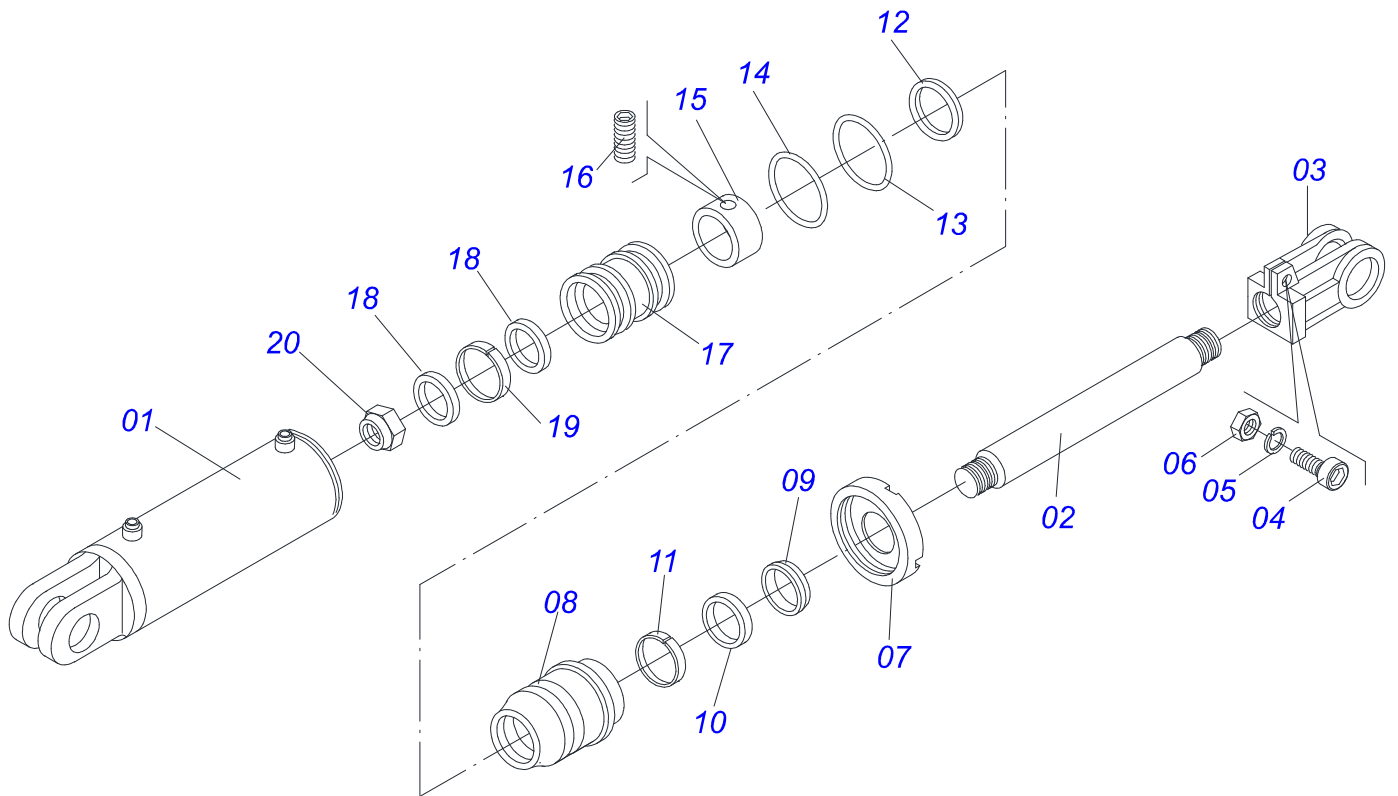


Item	Code	Description	See page
01	0511065148	AXLE SIDE CARRYING-WHEELS ARM	01
02	0503010278	SEAL	01
03	0503010016	BEARING LM	01
04	0503010022	BEARING LM	01
05	0501010076	FLAT WASHER	01
06	0503030010	7/8" CASTLE NUT	01
07	0503010018	5/32 X 1-1/2 COTTERPIN	01
08	0521010388	PROTECTIVE COVER	01
09	0503011441	SPRING WASHER	03
10	0503013758	1/4" X 1-1/2" BOLT	03
11	0503010002	1800 GREASE FITTING	01
12	0501110746	CARRYING WHEEL HUB	01
12A	0501010127	9/16" X 1-7/8" LUG BOLT	04
12B	0503010035	9/16" CONIC NUT	04
13	1882970002	GREASE SOAP	0.13Kg

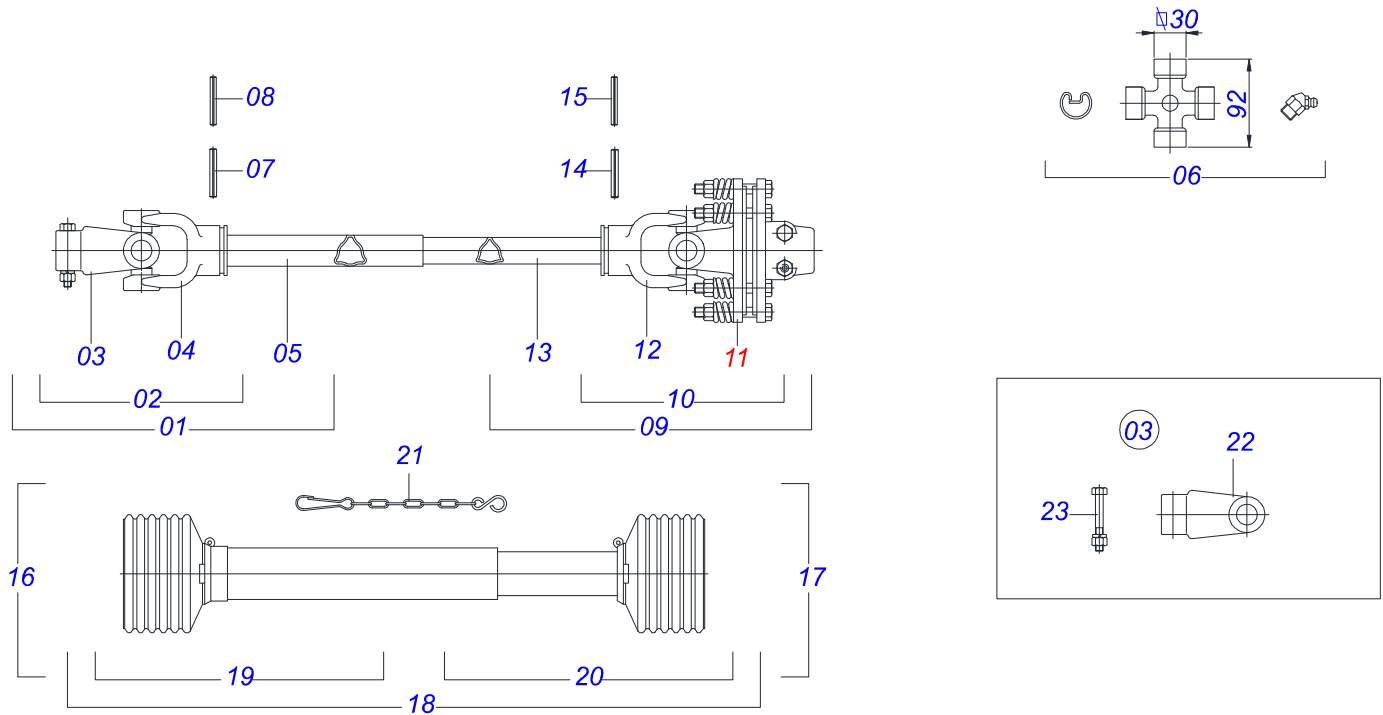


Item	Code	Description	See page	QT
01	0501064255	2.4" X 8" CYLINDER CASE		01
02	0521010421	HYDRAULIC CYLINDER TURNBUCKLE		01
03	0502040493	CLEVIS 26,50 R41		01
04	0503011094	3/8" X 2" BOLT		01
05	0503010025	3/8 SPRING WASHER		01
06	0503010026	3/8" NUT		01
07	0503030385	CYLINDER PLUG N-002		02
08	0503010042	2-214 N 3006-9B O'RING		01
09	0503010063	1" SELF-ALIGNING NUT		01
10	0571019710	1.7" X 3.4" PISTON		01
11	0503017935	RING		01
12	0503018144	RING		01
13	0571019711	RING SUPPORT		01
14	0503010761	D-1750 SCRAPER RING		01
15	0571019709	DETACHABLE COVER		01
16	0503017936	RING		01
17	0503017938	RING GUIDE		01
18	0503017937	GASKET		01
19	0503017940	8-337 BACK-UP RING		02
20	0503017939	2-337 N 3006-9B O' RING		02
21	0581010850	LIMITER		01
22	0503013917	O'RING 2-224		02

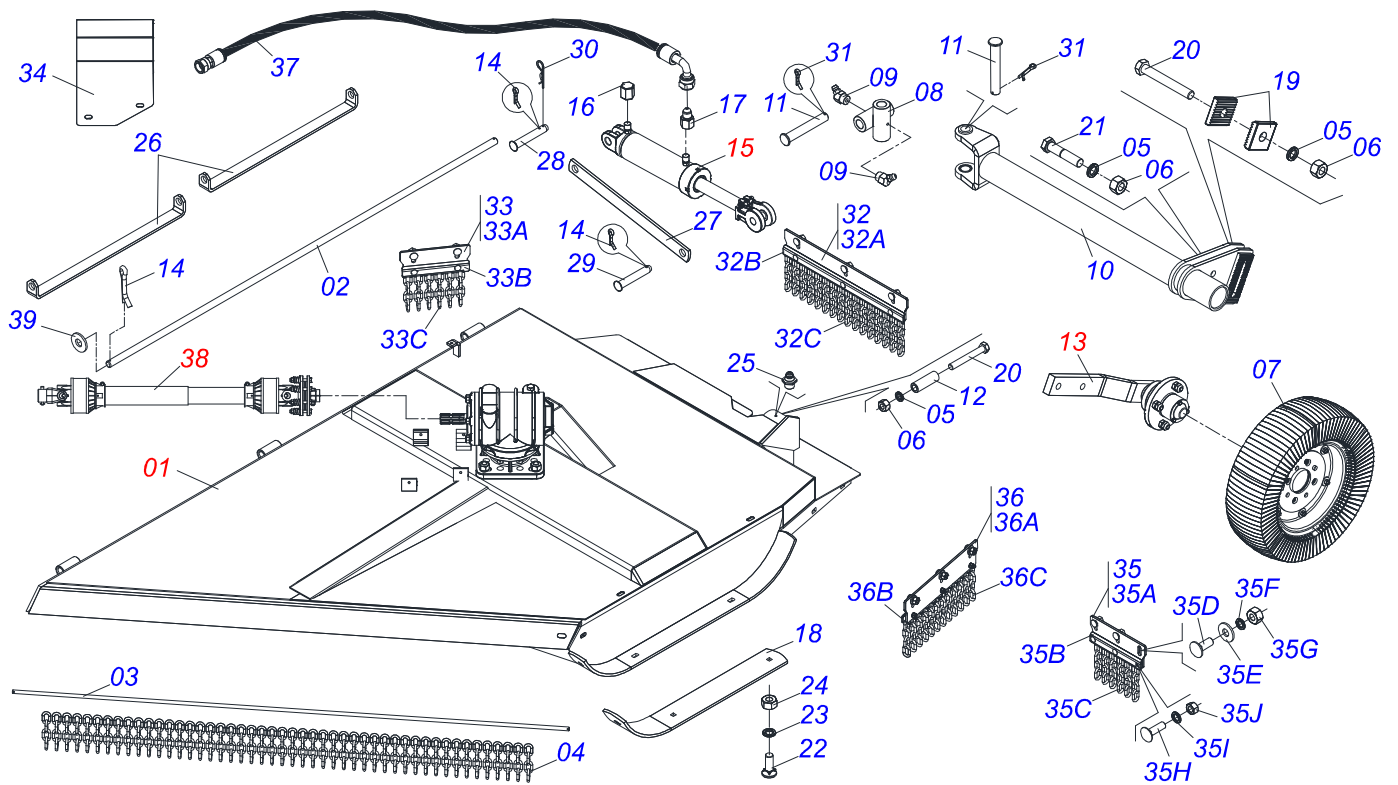




Item	Code	Description	See page
01	0501064255	2.4" X 8" CYLINDER CASE	01
02	0501018532	1.7" X 15.6" TURNBUCLE	01
03	0502040493	CLEVIS 26,50 R41	01
04	0503011094	3/8" X 2" BOLT	01
05	0503010025	3/8 SPRING WASHER	01
06	0503010026	3/8" NUT	01
07	0502010993	DETACHABLE COVER	01
08	0502010781	RING SUPPORT	01
09	0503010761	D-1750 SCRAPER RING	01
10	0503010990	GASKET	01
11	0503010949	W2-2000-500 PK RING G.E	01
12	0503011060	8-336 BACK-UP RING	01
13	0503010976	2-336 N 3006-9B O'RING	01
14	0503010042	2-214 N 3006-9B O'RING	01
15	0531018316	1.8"X 3"X 0.9" SLEEVE	01
16	0503011148	3/8" X 1/2" BOLT	01
17	0502010843	1.8" X 3.4" PISTON	01
18	0503010170	PACKING 3120 2750	02
19	0503010948	W4-3346-590 PK RING G.E	01
20	0503010063	1" SELF-ALIGNING NUT	01
21	0501031796	HYDRAULIC CYLINDER REPAIR KIT	

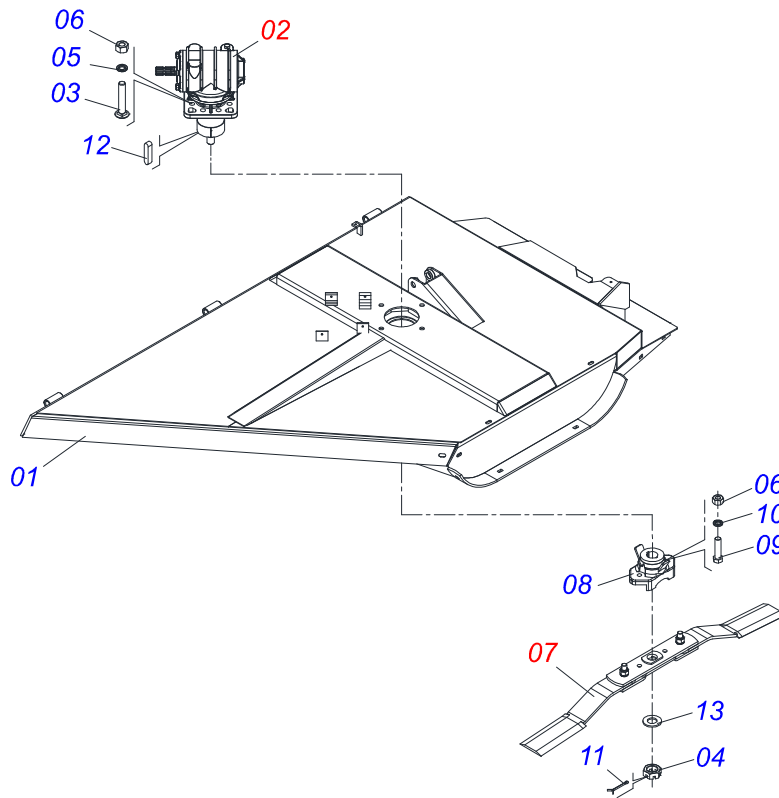


Item	Code	Description	See page	QT
01	0501052534	UNIVERSAL JOINT WITH SLEEVE		01
02	0501052535	UNIVERSAL JOINT		01
03	0501052559	8-40 TERMINAL WITH SCREW		01
04	0503012614	T2-40/CI251 TERMINAL		01
05	0503012615	2.1" X 2.0" X 38" TRIAN FEMALE		01
06	0503012096	CROSSPIECE		02
07	0503011069	0.4" X 2.8" SPRING PIN		01
08	0503010510	0.2" X 2.6" SPRING PIN		01
09	0501052536	UNIVERSAL JOINT WITH CROSS/SHAFT		01
10	0501052537	UNIVERSAL JOINT WITH CROSSPIECE		01
11	0501047953	90 KGM FRICTION	5	01
12	0503012616	T3-40/CI252 TERMINAL		01
13	0503012617	1.8" X 1.7" X 38" TRIAN MALE TU		01
14	0503010361	SPRING PIN		01
15	0503010756	0.2" X 2.4" SPRING PIN		01
16	0501052539	UNIVERSAL JOINT WITH SLEEVE/PROT		01
17	0501052540	UNIVERSAL JOINT WITH SHAFT/PROT		01
18	0503012098	PROTECTION ASSY		01
19	0503012099	PROTECTION FOR UNIV JOINT AND SLEEV		01
20	0503012100	PROTECTION FOR UNIV JOINT AND AXLE		01
21	0503012023	CHAIN FOR PROTECTION		02
22	0502011428	8-40 TERMINAL		01
23	0501047756	1/2" X 3" SET PARTS		01

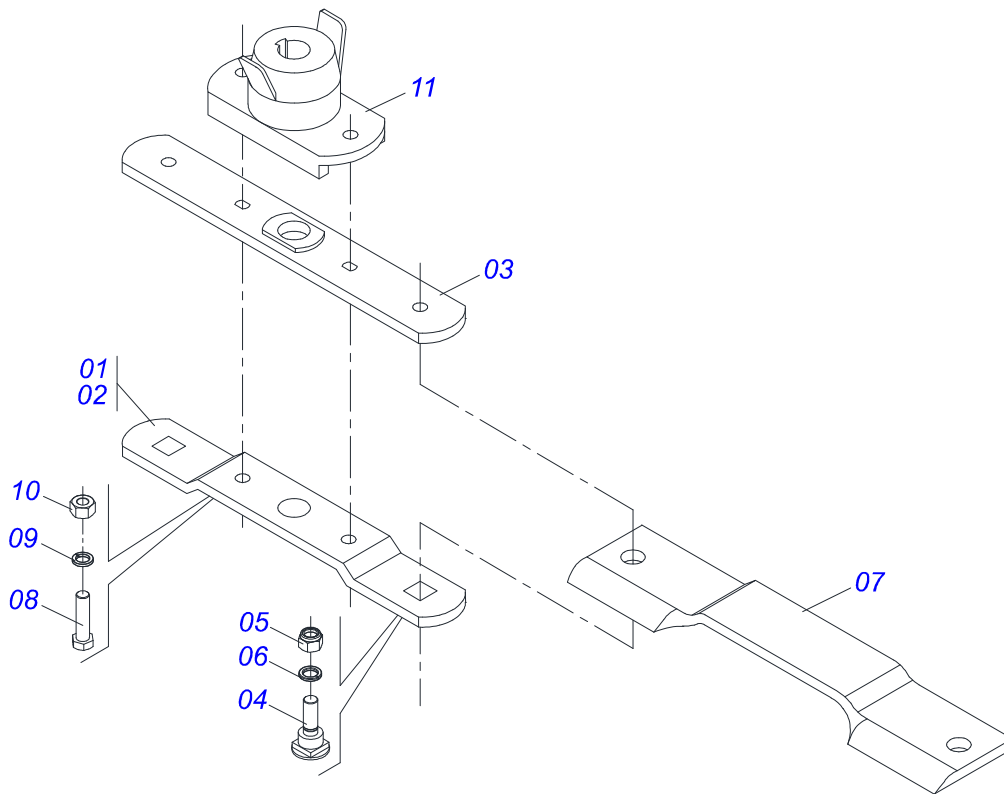


Item	Code	Description	See page	QT
01	0511055032	LEFT SIDE FRAME	23	01
02	0511017535	ROD		01
03	0511012253	71.2" ROD OF THE CHAIN		01
04	0511011774	8,00 CHAIN 4 LINK		48
05	0503010023	3/4" SPRING WASHER		03
06	0503010014	3/4" HEX NUT		03
07	0501043559	SEGMENTED WHEEL 525		01
08	0511064945	CROSSPIECE		01
09	0503010003	1845 GREASE FITTING		02
10	0511064928	LEFT SIDE CARRYING WHEELS SUPPORT		01
11	0521018993	CROSSPIECE COUPLING SHAFT		02
12	0511015929	0.8" X 1.2" X 3.6" BUSHING		01
13	0501054971	SIDE WHEEL WITHOUT TIRE	18	01
14	0503010571	1/4" X 1.1/2 COTTERPIN		03
15	0511058442	HYDRAULIC CYLINDER	19	01
16	0511017628	BREATHING HOLE OF THE CYLINDER HIDE		01
17	0511018012	HIDRAULIC ADAPTER		01
18	0521018989	SKID SIDE GUIDE		01
19	0502012231	SQUARE WASHER		02
20	0503013185	3/4" X 5-1/2" BOLT		02
21	0503012334	3/4" UNC X 3.1/2" BOLT		01
22	0503012956	1/2" X 1-1/2" BOLT		01
23	0503010019	1/2" SPRING WASHER		01
24	0503010020	1/2"NUT		01
25	0503010002	1800 GREASE FITTING		01
26	0531018343	SIDE FRAME PROTECTION		02
27	0511011755	LATERAL TRANSPORT LOCK		01
28	0521010586	0.9" X 6.1" COUPLING SHAFT WITH 2 H		01
29	0521010585	0.9" X 5.9" COUPLING SHAFT		01
30	0503030012	HITCH PIN CLIP		01
31	0503010523	1/4" X 2" COTTERPIN		02

<b>Item</b>	<b>Code</b>	<b>Description</b>	<b>See page</b>	<b>QT</b>
32	0511054962	CURRENT PROTECTION		01
32A	0571015856	CHAIN PROTECTION BODY		01
32B	0571015849	PROTECTION CLAW		01
32C	0511011774	8,00 CHAIN 4 LINK		16
33	0511054961	CURRENT PROTECTION		01
33A	0571015855	CHAIN PROTECTION BODY		01
33B	0571015850	PROTECTION CLAW		01
33C	0511011774	8,00 CHAIN 4 LINK		06
34	0531018036	COVER OF LEFT PROTECTION		01
35	0511054963	CURRENT PROTECTION		01
35A	0571015857	CHAIN PROTECTION BODY		01
35B	0571015853	PROTECTION CLAW		01
35C	0511011774	8,00 CHAIN 4 LINK		06
35D	0501011600	1/2" X 1-1/4" BOLT		11
35E	0511017302	FLAT WASHER 13,50 X 32,50 X 3,0 ZN		11
35F	0503010019	1/2" SPRING WASHER		11
35G	0503010020	1/2"NUT		11
35H	0501010942	3/8" X 1-1/4" BOLT		11
35I	0503010025	3/8 SPRING WASHER		11
35J	0503010026	3/8" NUT		11
36	0511054960	CURRENT PROTECTION		01
36A	0571015854	CHAIN PROTECTION BODY		01
36B	0571015851	PROTECTION CLAW		01
36C	0511011774	8,00 CHAIN 4 LINK		12
37	0501080396	3/8" X 45" HOSE		01
38	0501049131	DRIVE SHAFT	21	01
39	0511017302	FLAT WASHER 13,50 X 32,50 X 3,0 ZN		01



Item	Code	Description	See page	QT
01	0521064849	LEFT SIDE FRAME		01
02	0501046948	MULTIPLIER	6	01
03	0503013122	3/4 UNC X 4.1/4 CAPQ G.5 ZNBOLT		04
04	0503011052	1.1/4" X 0.77" CASTLE NUT		01
05	0503011442	3/4" SPRING WASHER		04
06	0503010014	3/4" HEX NUT		06
07	0501056330	CUTTER BLADES ROTARY SUPPORT	17	01
08	0502012453	SUPPORT FLANGE		01
09	0503013394	3/4" X 3" BOLT		02
10	0503011442	3/4" SPRING WASHER		02
11	0503010067	3/16" X 2.1/2" COTTER PIN		01
12	0501010536	KEYWAY SQUARE		02
13	0501017779	32 X 60 X 4.75 FLAT WASHER		01



Item	Code	Description	See page	QT
01	0501056326	SUPPORT WITH ROTARY CUTTER BLADES		01
02	0561017368	ROTARY LOWER SUPPORT		01
03	0561017308	SUPPORT UPPER BASE		01
04	0511019000	BOLT		02
05	0503010812	7/8" UNF SELF LOCKING NUT		02
06	0503011447	SPRING WASHER		02
07	0622400057	21.6" X 3.94" X 0.5" ROTARY CUTTER		02
08	0503010901	3/4UNC 3.1/2 BOLT		02
09	0503010023	3/4" SPRING WASHER		02
10	0503010014	3/4" HEX NUT		02
11	0502012453	SUPPORT FLANGE		01





***civemasa***

***Technical Publications | Elaboration and Revision***

ALESSANDRA PATRICIA KAWAHARA CARRILI

[www.civemasa.com.br](http://www.civemasa.com.br)

