

PARTS CATALOGUE

ROTARY CUTTERS

RTDC2E 3100 CL

Code: 0501091616



Series: S-0214

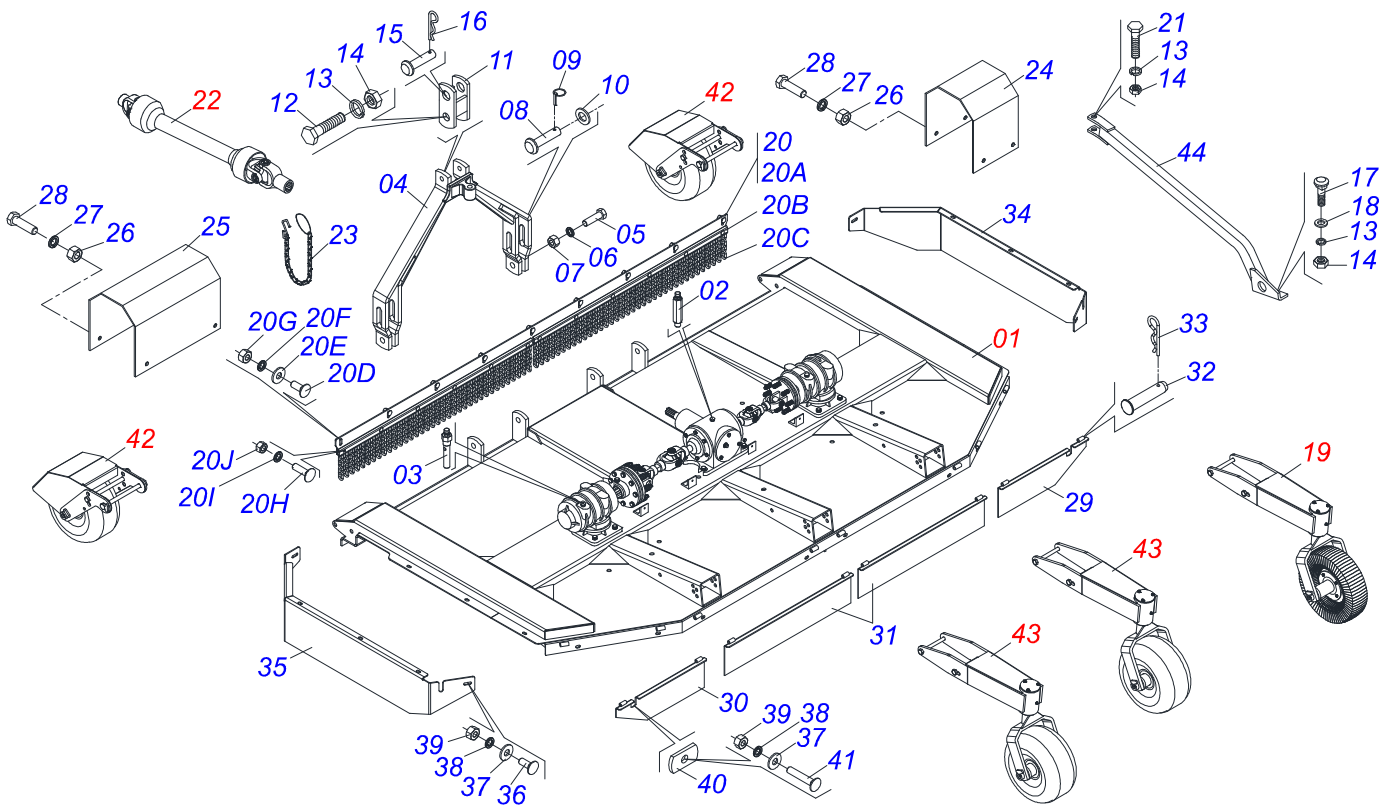
Review: ABRIL/2016

**ORIGINAL PARTS
CIVEMASA**

civemasa

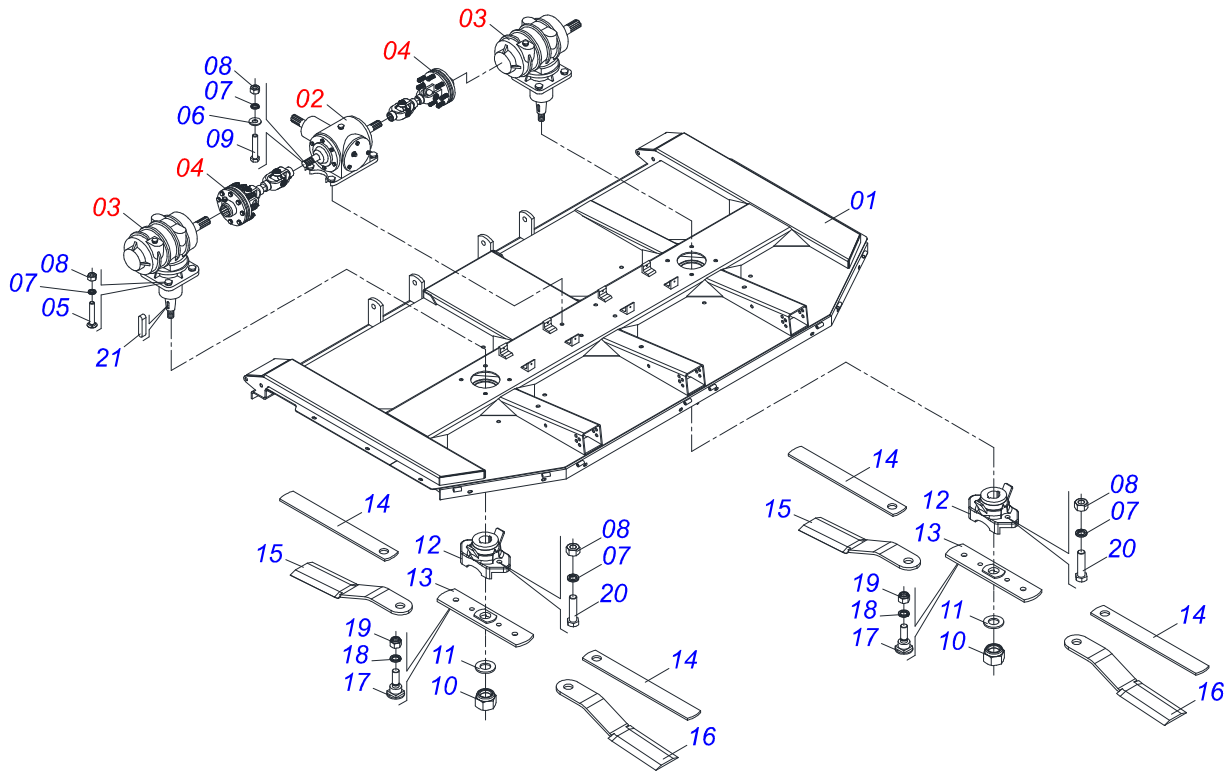
INDEX

0909090921	FRAME	1
0511055334	SEMIFINISHED FRAME	2
0501043535	DOUBLE DISTRIBUTOR	3
0511042525	BOX MULTIPLIER	4
0511041381	DRIVE SHAFT	5
0501047953	90 KGM FRICTION	6
0511044473	FRONT WHEELS ASSY	7
0501047948	DRIVE SHAFT	8
0511044441	CARRYING WHEELS	9
0501043642	RUBBER WHEEL ASSY	10

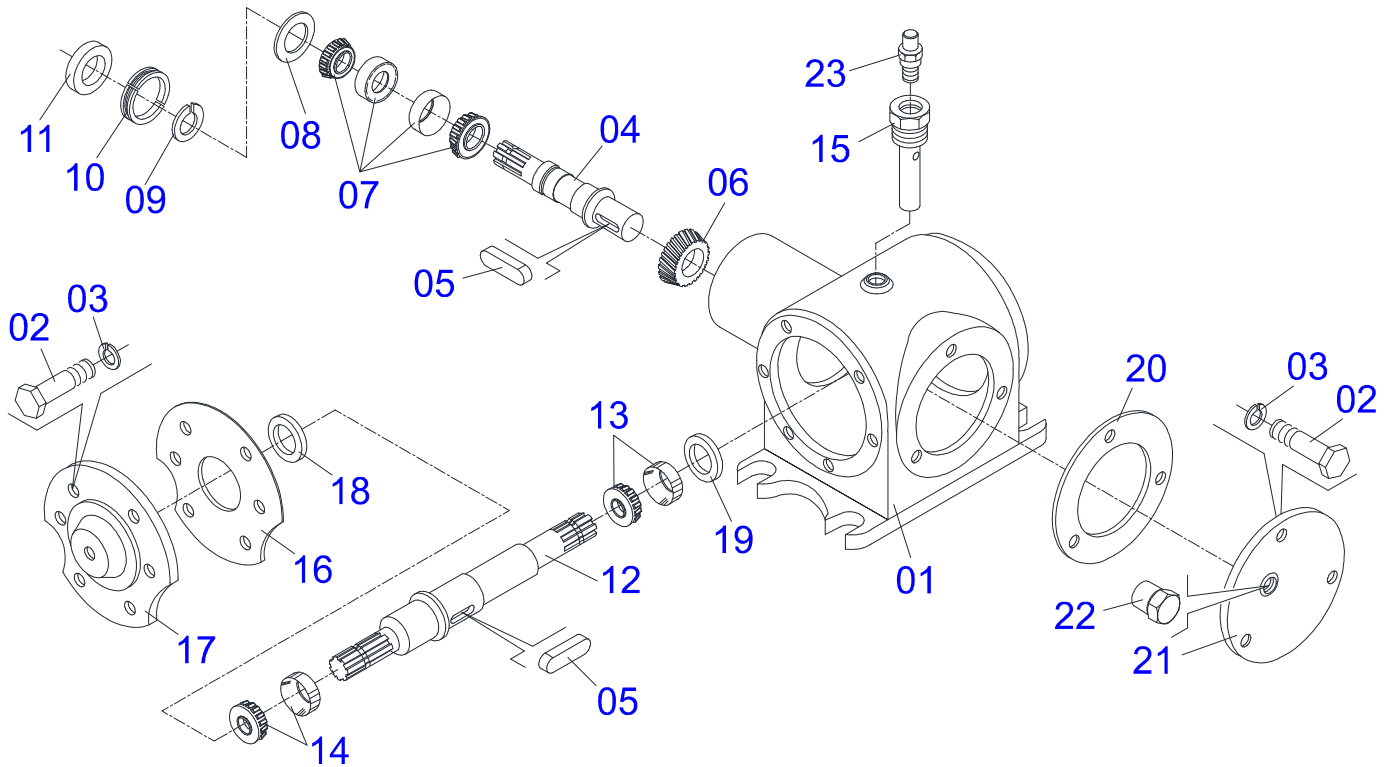


Item	Code	Description	QT
01	0511055334	SEMI-FINISHED FRAME	01
02	0501110843	DOBLE DISTRIBUTOR HOLE	01
03	0501110186	OIL SMALLER LEVEL INDICATOR	01
04	0511062006	DRAWBAR	01
05	0501010171	1" X 3-1/2" BOLT	02
06	0503010012	1" SPRING WASHER	02
07	0501010059	1" NUT	02
08	0521010629	1.1" X 5.1" COUPLING SHAFT	02
09	0501010065	FLAT WASHER	02
10	0503030430	7/16 X 2" PIN LOCK	02
11	0501066445	PIVOT DOUBLE BAR	01
12	0503011198	3/4" X 6" BOLT	01
13	0503010023	3/4" SPRING WASHER	03
14	0503010014	3/4" NUT	03
15	0521010578	0.9" X 4.3" COUPLING SHAFT	01
16	0503031035	HAIR PIN	01
17	0501017305	3/4" X 2-1/4" BOLT	01
18	0501010322	FLAT WASHER	01
19	0501043642	RUBBER WHEEL ASSY	02
20	0511055111		01
21	0501010216	3/4" X 4-1/2" BOLT	01
22	0501047948	DRIVE SHAFT	01
23	0503011981	17.7" CHAIN WITH HOOK/LINK	01
24	0531017847	SMALLER COVER PROTECTION	01
25	0531017848	LARGER COVER PROTECTION	01
26	0503010026	3/8" NUT	08
27	0503010025	3/8" SPRING WHASHER	08
28	0503010256	3/8" X 3/4" BOLT	08
29	0511069883		01
30	0511069884		01
31	0511069882		02
32	0521010551		08
33	0503010577	3/16" X 1-1/4" COTTERPIN	16

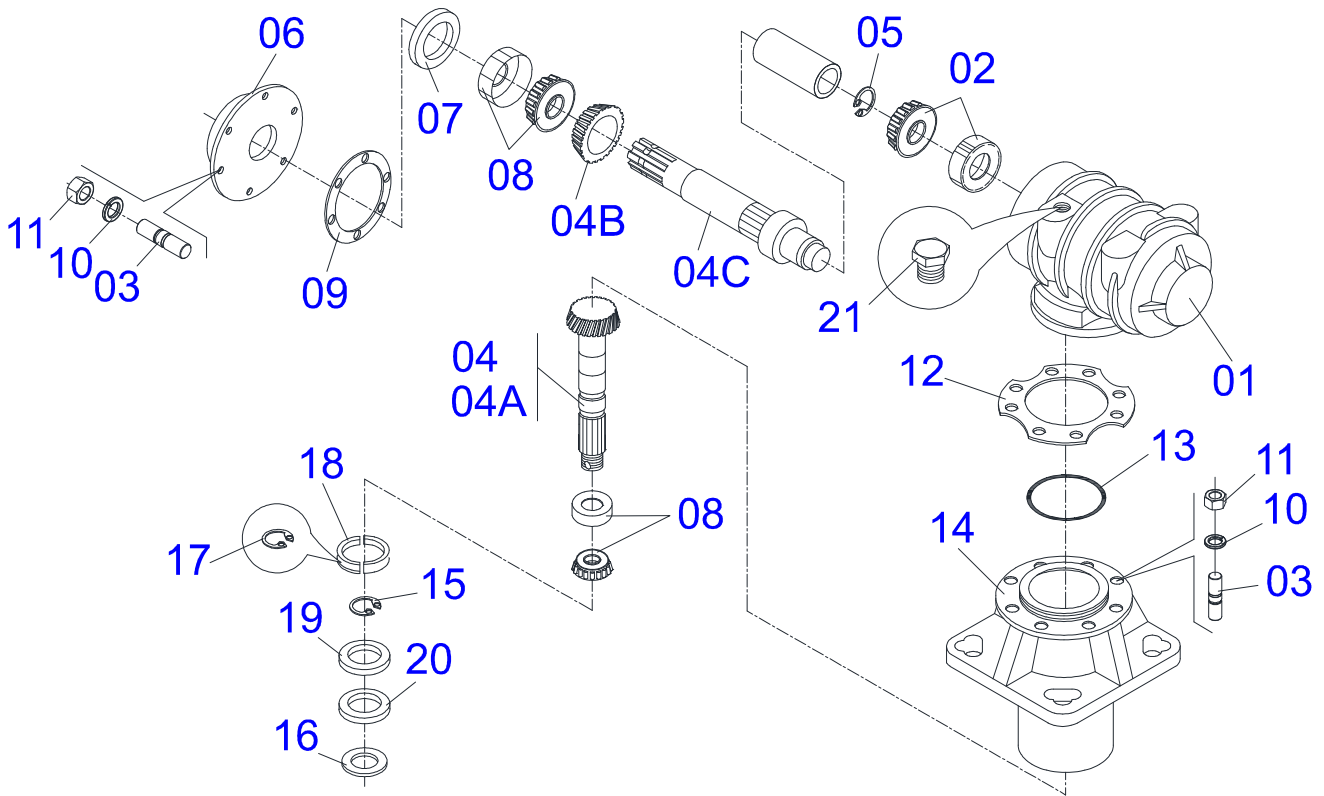
Item	Code	Description	QT
34	0551019817		01
35	0551019819		01
36	0501011600	1/2" X 1-1/4" BOLT	17
37	0511017302	FLAT WASHER	17
38	0503010019	1/2" SPRING WASHER	17
39	0503010020	1/2" NUT	16
40	0551019824	RH PROTECTION LOCK	02
41	0501011194	1/2" X 1-3/4" BOLT	02
42	0511044473	FRONT WHEELS ASSY	02
43	0511044441	CARRYING WHEELS	02
44	0521065849		01



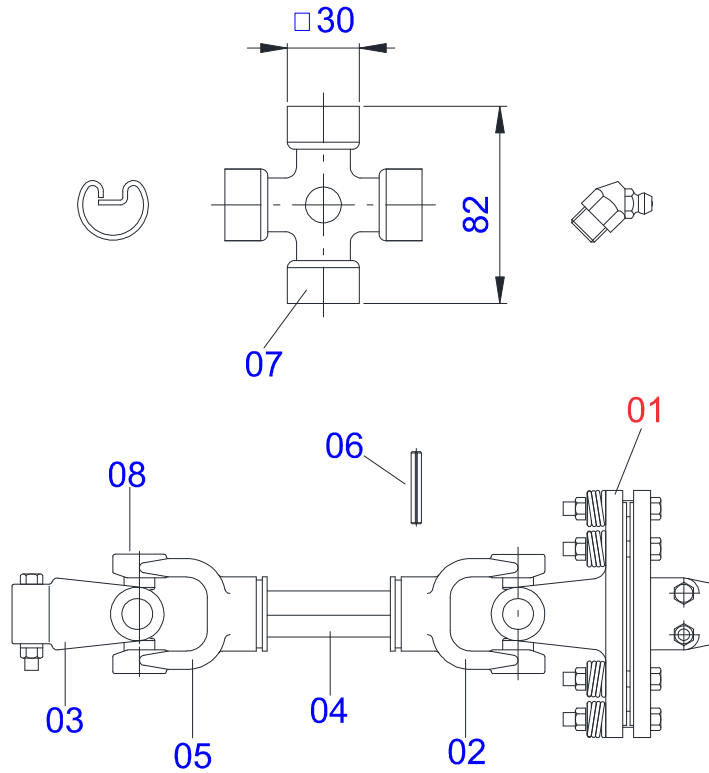
Item	Code	Description	QT
001	0521064891		01
002	0501043535	DOUBLE DISTRIBUTOR	01
003	0511042525	BOX MULTIPLIER	02
004	0511041381	DRIVE SHAFT	02
005	0501010216	3/4" X 4-1/2" BOLT	08
006	0501010322	FLAT WASHER	04
007	0503011442	3/4" SPRING WASHER	16
008	0503010014	3/4" NUT	16
009	0503010797	3/4" X 4" BOLT	04
010	0503010817	1.1/4" UNF SELF ADJUSTING NUT	02
011	0501017779	FLAT WASHER	02
012	0502012453	SUPPORT FLANGE	02
013	0511069195	ROTARY CUTTER FIXER	02
014	0531015055	620 FOLLOWER	04
015	0622400056	24"X4"X0,5" LEFT ROTARY CUT BLADES	02
016	0622400055	RH 24"X4"X0,5" ROTARY CUTTER BLADES	02
017	0541014286	FASTERNER ROCADORES	04
018	0503011438	1" SPRING WASHER	04
019	0503010063	1" SELF-ALIGNING NUT	04
020	0503010901	3/4" X 3-1/2" BOLT	04
021	0501010536	0.4" X 1.7" KEYWAY SQUARE	01



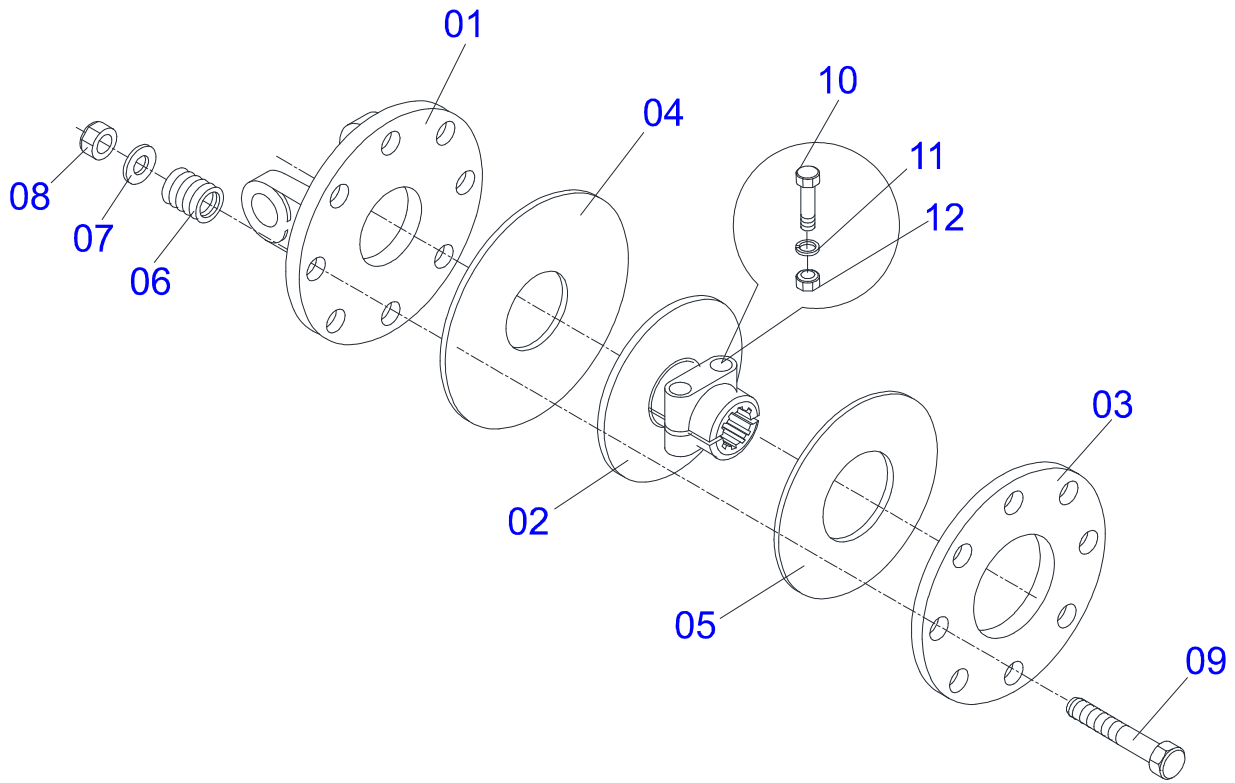
Item	Code	Description	
01	0502010801	HOUSING OF THE DISTRIBUTOR DOUBLE	01
02	0503010751	BOLT	09
03	0503011443	3/8" SPRING WASHER	09
04	0503030111	SMALLER AXLE	01
05	0501012993	0.4" X 1.1"KEYWAY SQUARE	04
06	0503060249	CONICAL GEAR SET FOR DOUBLE DISTRIBUTOR	01
07	0503010102	25577/25523 ROLLER BEARING	02
08	0501010237	FLAT WASHER	01
09	0503010210	LOCK WASHER	01
10	0503010211	KM- 8 LOCKNUT	01
11	0503010079	5042 SEAL	01
12	0511010103	LARGER AXLE	01
13	0503010312	6207 BALL BEARING	01
14	0503010031	368A/362A ROLLER BEARING	01
15	0521014311	DOBLE DISTRIBUTOR HOLE BODY	01
16	0503030228	7.1" X 5.3" X 0.008" JOINT	02
17	0502020250	FRONT COVER	01
18	0503010082	00274-BG SEAL	01
19	0503010079	5042 SEAL	01
20	0503030341	6.4" X 0.008" JOINT	04
21	0502020160	COVER WITH DOUBLE DISTRIBUTOR	01
22	0503031604	1/2" BSP PLUG	01
23	0503010325	VCA-118 VALVE	01



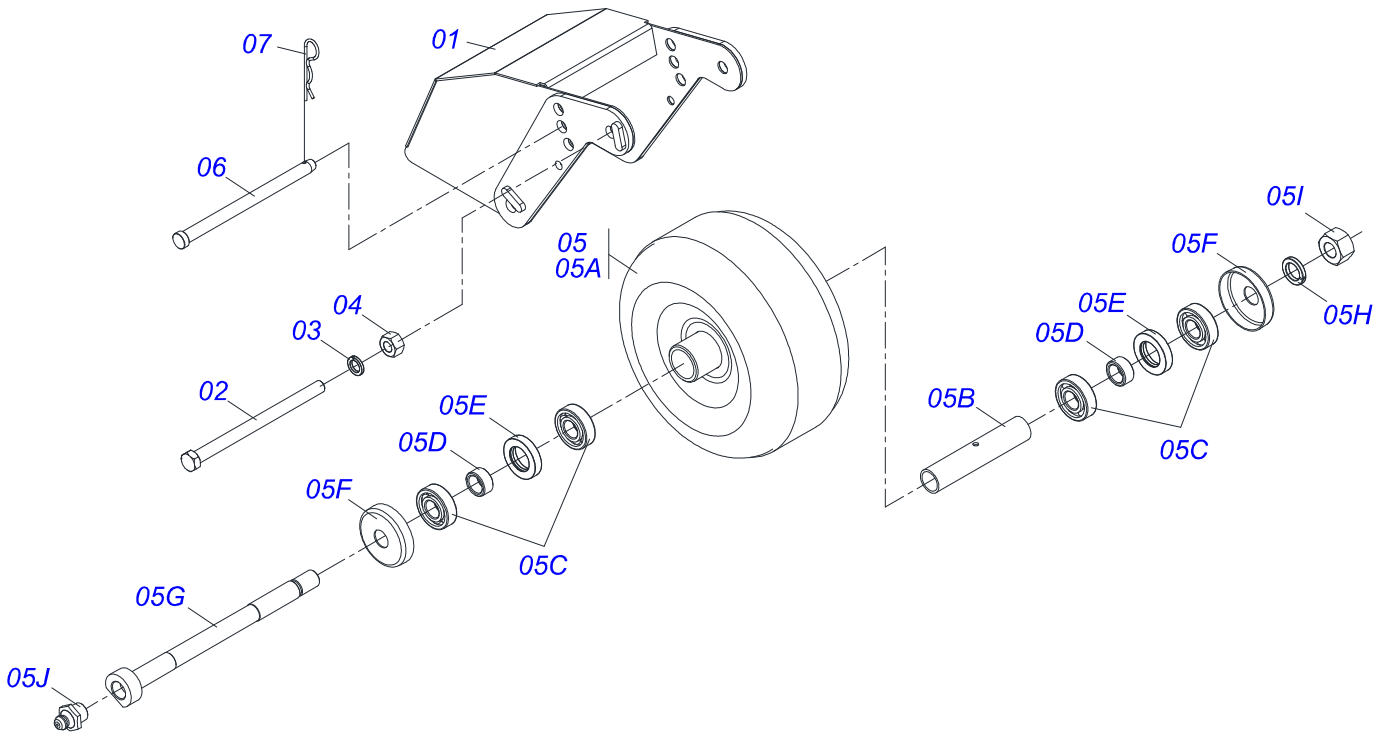
Item	Code	Description	
01	0502012205	BOX MULTIPLIER	01
02	0503010750	30209 BALL BEARING	01
03	0503030084	1/2" X 1/2" X 2.0" STUD	14
04	0503061698	CROWN PINION SET 12Z 12Z AXLE LEFT	01
04A	0503031917	12Z LOWER CONICAL GEAR	01
04B	0503031918	18Z CONICAL GEAR	01
04C	0503032043	UPPER AXLE	01
05	0503014772	501056 CLAMPING RING (FOR AXLE)	01
06	0502012207	COVER MULTIPLIER	01
07	0503012103	5301 -BSEAL	01
08	0503012418	32211 ROLLER BEARING	03
09	0503030783	7.1" X 5.3" X 0.008" JOINT	03
10	0503011440	1/2" SPRING WASHER	14
11	0503010028	1/2" NUT	14
12	0503030785	7.9" X 5.9" X 0.008" JOINT	03
13	0503010286	2-355 N 3006-9B O'RING	01
14	0502012206	LOWER HUB	01
15	0503011420	502100 CLAMPING RING (FOR AXLE)	02
16	0531018823	FLAT WASHER	01
17	0503012311	501065 RENO RING	01
18	0531019302	LOCK RING	01
19	0503013211	6016 BRG SEAL	01
20	0503013201	ARCA 6016 BRG SEAL	01
21	0503031604	1/2" BSP PLUG	01



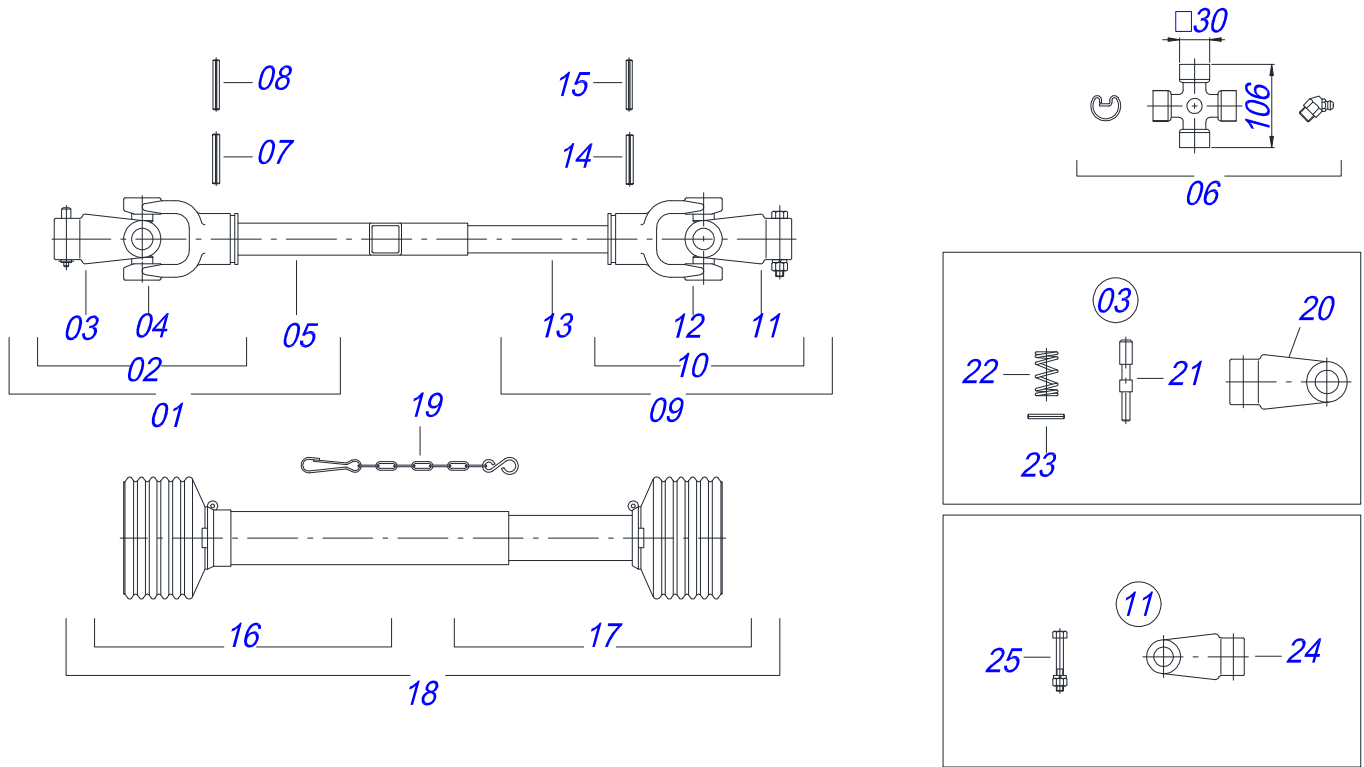
Item	Code	Description	QT
001	0501047953	90 KGM FRICTION	01
002	0503013130	CC266/F TERMINAL	01
003	0503012096	CROSSPIECE	01
004	0503013133	STRIATED AXLE	01
005	0503013131	CC266 TERMINAL	01
006	0503011877	0.3" X 2.4" SPRING PIN	02
007	0503012096	CROSSPIECE	01
008	0503013132	CC292 TERMINAL	01



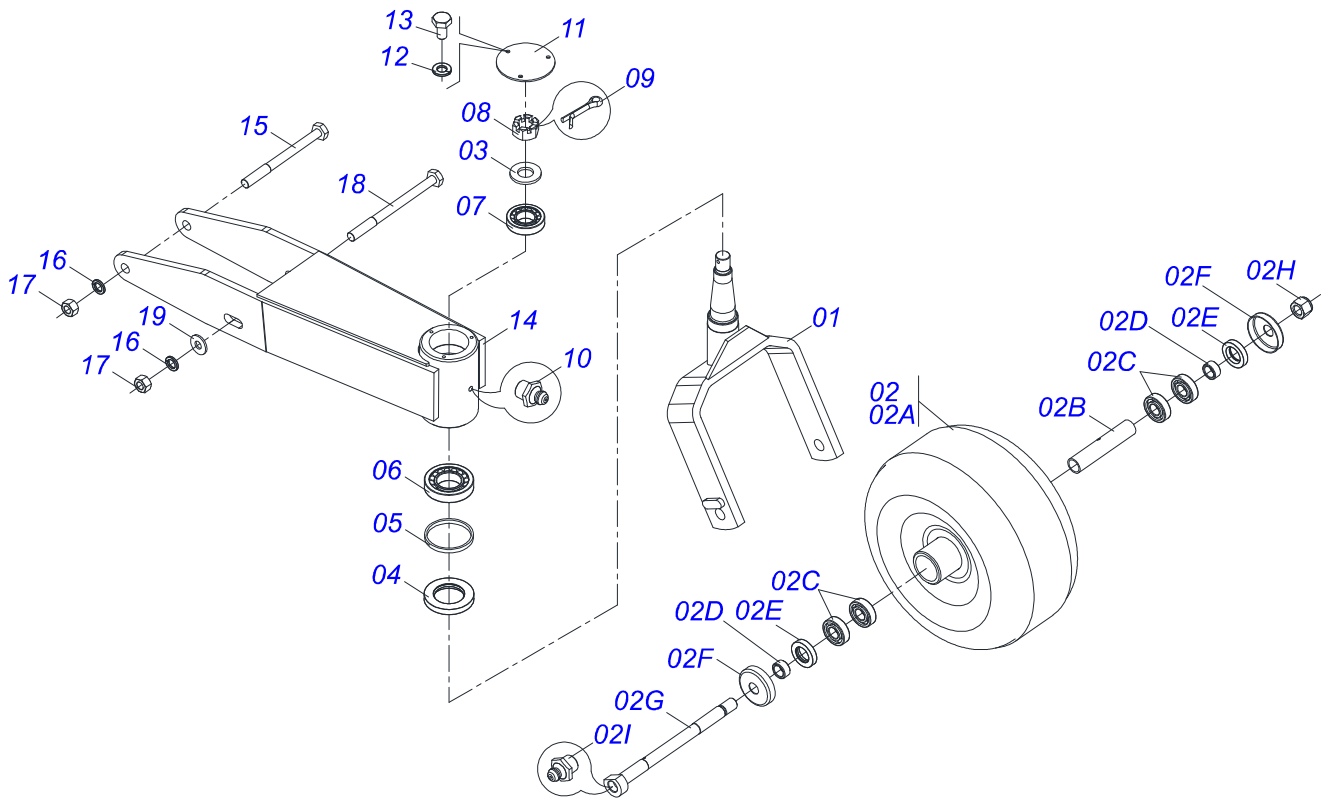
Item	Code	Description	
01	0503012095	FRONT FLANGE	01
02	0503011869	CENTRAL FLANGE	01
03	0503011870	REAR FLANGE	01
04	0503031474	INNER FRICTION DISC	01
05	0503031478	OUTER FRICTION DISC	01
06	0503030630	1.02"X1.3"X0.2" COMPRESSION SPRING	08
07	0511017302	FLAT WASHER	08
08	0503011336	1/2" HEX SELF ADJUSTING NUT	08
09	0503010752	1/2" X 3.1/2" BOLT	08
10	0503010741	1/2" X 2-3/4" BOLT	02
11	0503010019	1/2" SPRING WASHER	02
12	0503010060	1/2" NUT	02



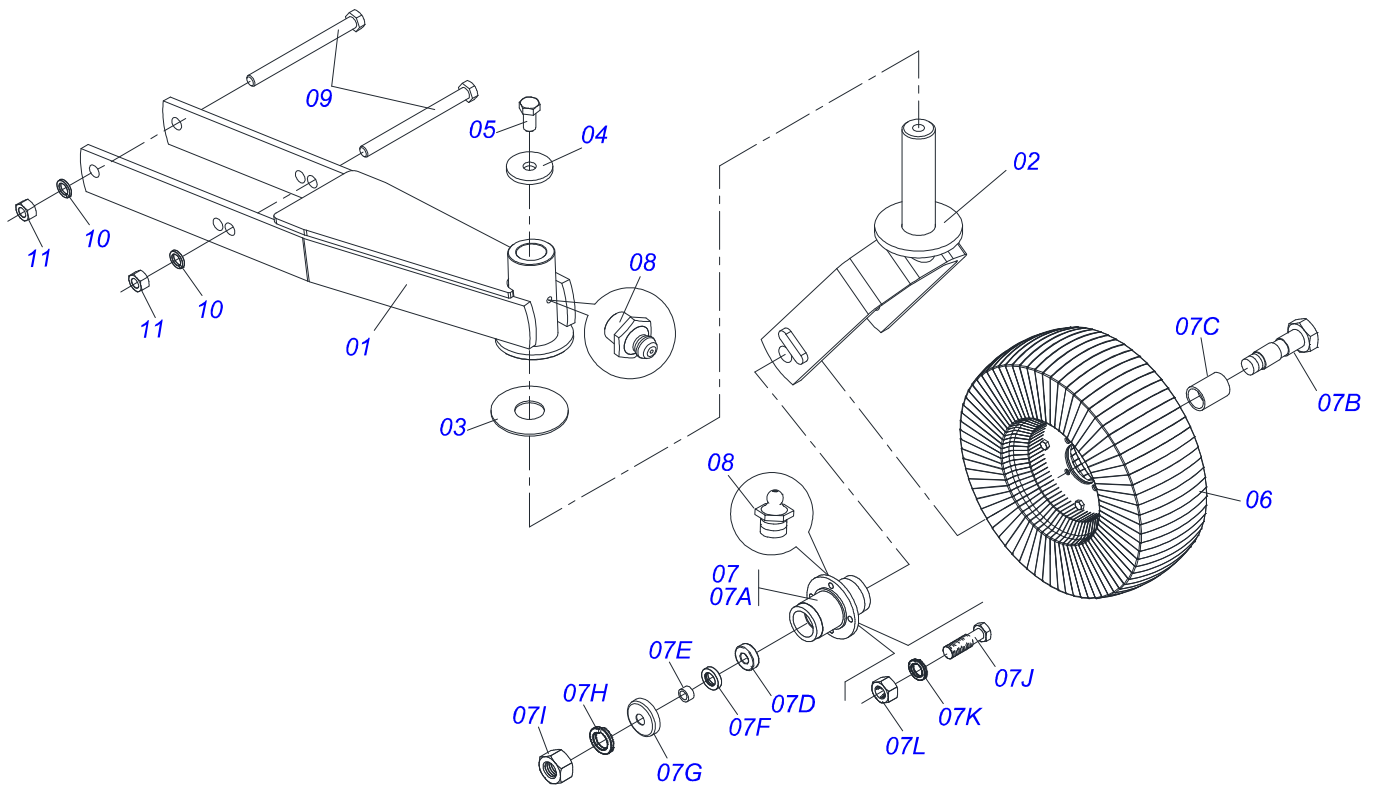
Item	Code	Description	QT
01	0511067120	COVER FRONT WHEEL SUPPORT	01
02	0503012951	3/4" X 10-1/2" BOLT	01
03	0503010023	3/4" SPRING WASHER	01
04	0503010014	3/4" NUT	01
05	0501053885	ARM REAR WHELL	01
05A	0511063509	14" X 8" WHELL	01
05B	0531014502	0.9" X 1.1" X 6.3" SLEEVE	01
05C	0503010269	6204 BALL BEARING	04
05D	0521010487	SPACER WASHER	02
05E	0503010268	00262-B SEAL	02
05F	0511014254	DUST CLOAK	02
05G	0551011854	REAR CARRYING WHEELS AXLE	01
05H	0503010023	3/4" SPRING WASHER	01
05I	0503010014	3/4" NUT	01
05J	0503010002	GREASE FITTING	01
06	0541018559	REAR WHELL CONTROL AXLE	01
07	0503030012	HAIR PIN	01



Item	Code	Description	
01	0501051711	UNIVERSAL JOINT WITH SLEEVE	01
02	0501051708	UNIVERSAL JOINT	01
03	0501050334	1-60 TERMINAL WITH QUICK HITCH	01
04	0502011422	2-60 TERMINAL	01
05	0511013025	35" X 1.8" SQUARESLEEVE	01
06	0503010837	CARDAN CROSSPIECE	02
07	0503010843	0.4" X 3.3" SPRING PIN	01
08	0503011878	0.2" X 3.3" SPRING PIN	01
09	0501051712	UNIVERSAL JOINT WITH SHAFT	01
10	0501051710	UNIVERSAL JOINT	01
11	0501052516	T6-60 TERMINAL WITH SCREW	01
12	0502011424	3-60 TERMINAL	01
13	0511013026	1.4" X 35" SQUARE SHAFT	01
14	0503011069	0.4" X 2.8" SPRING PIN	01
15	0503011805	0.2" X 2.8" SPRING PIN	01
16	0503012075	PROTECTION FOR UNIV JOINT AND SLEEVE	01
17	0503012076	PROTECTION FOR UNIV JOINT AND AXLE	01
18	0503012074	PROTECTION ASSY	01
19	0503012023	CHAIN FOR UNIV JOINT PROTECTION	02
20	0502010568	1-60 STRIATED 1.3/8" TERMINAL	01
23	0521010638	0.5" X 3.3" QUIC HITCH COUPL SHAFT	01
24	0503030518	0.5"X1.0"X 0.1" COMPRESSION SPRING	01
25	0503010838	0.1" X 0.8" SPRING PIN	01



Item	Code	Description	QT
01	0511067159	REAR WHEELS FORK	01
02	0501057218	ARM REAR WHELL	01
02A	0511063509	14" X 8" WHELL	01
02B	0531014502	0.9" X 1.1" X 6.3" SLEEVE	01
02C	0503010269	6204 BALL BEARING	04
02D	0521010487	SPACER WASHER	02
02E	0503010268	00262-B SEAL	02
02F	0511014254	DUST CLOAK	02
02G	0551011854	REAR CARRYING WHEELS AXLE	01
02H	0503011075	3/4" UNC SELF ADJUSTING NUT	01
02I	0503010002	GREASE FITTING	01
03	0511015994	FLAT WASHER	01
04	0503010279	SEAL 00229-B	01
05	0541018986	WASHER	01
06	0503010360	30208 ROLLER BEARING	01
07	0503011290	30206 BALL BEARING	01
08	0503030009	1" X 0.9" CASTLE NUT	01
09	0503010523	1/4" X 2" COTTERPIN	01
10	0503010002	GREASE FITTING	01
11	0541018995	WHEEL BOX COVER	01
12	0503011441	SPRING WASHER	03
13	0503013758	1/4" X 1-1/2" BOLT	03
14	0511067801	REAR WHEEL SUPPORT	01
15	0503010795	5/8" X 7" BOLT	01
16	0503011445	5/8" SPRING WASHER	02
17	0503010013	5/8" NUT	02
18	0503012410	5/8" X 7.1/2" BOLT	01
19	0501012140	FLAT WASHER	01



Item	Code	Description	
01	0501069375	WHEEL SUPPORT	01
02	0501065266	WHELL FORK	01
03	0511013239	FLAT WASHER	01
04	0511010721	FLAT WASHER	01
05	0503010962	5/8" X 1-1/4" BOLT	01
06	0501050433	TIRE WHELL	01
07	0501051587	WHEELS BOX ASSY	01
07A	0502011286	WHEELS BOX ASSY	01
07B	0501017143	WHEEL AXLE	01
07C	0521010460	0.9" X 1.1" X 2.9" SLEEVE	01
07D	0503010269	6204 BALL BEARING	02
07E	0521010487	SPACER WASHER	02
07F	0503010268	00262-B SEAL	02
07G	0511014254	DUST CLOAK	01
07H	0503010023	3/4" SPRING WASHER	01
07I	0503010014	3/4" NUT	04
07J	0501010080	3/8" X 1-1/2" BOLT	04
07K	0503010025	3/8" SPRING WHASHER	04
07L	0503010026	3/8" NUT	02
08	0503010002	GREASE FITTING	01
09	0503010795	5/8" X 7" BOLT	02
10	0503010027	5/8" SPRING WASHER	02
11	0503010013	5/8" NUT	02



email: civemasa@civemasa.com.br

www.civemasa.com.br

Phone: +55 16.3382.8222

Fax: +55 16.3382.8355

MARCHESAN IMPLEMENTOS E MÁQUINAS AGRÍCOLAS "TATU" S.A.

Av. Marchesan, 1979 - Post Office box, 131 - Cep 15994-900 - Matão - Sp - Brasil

CNPJ 52.311.289/0001-63 | Inst. Est.441.000.151.114

Drafting and Illustration = GASPARI
e.mail = jgaspari@marchesan.com.br

**ORIGINAIS PARTS
CIVEMASA**

The Civemasa logo, identical to the one at the top of the page, is positioned at the bottom right of the page. It features the word "civemasa" in a bold, italicized, lowercase sans-serif font, with three vertical bars above the letters "i", "v", and "e" in orange, green, and orange colors.