

ROTARY CUTTERS

RTDC2 1700

Code: 0501091615
Series: S-0214
Revision: 00
Revision Date: AGOSTO/2021

PARTS CATALOGUE

CIVEMASA

PRODUCTS

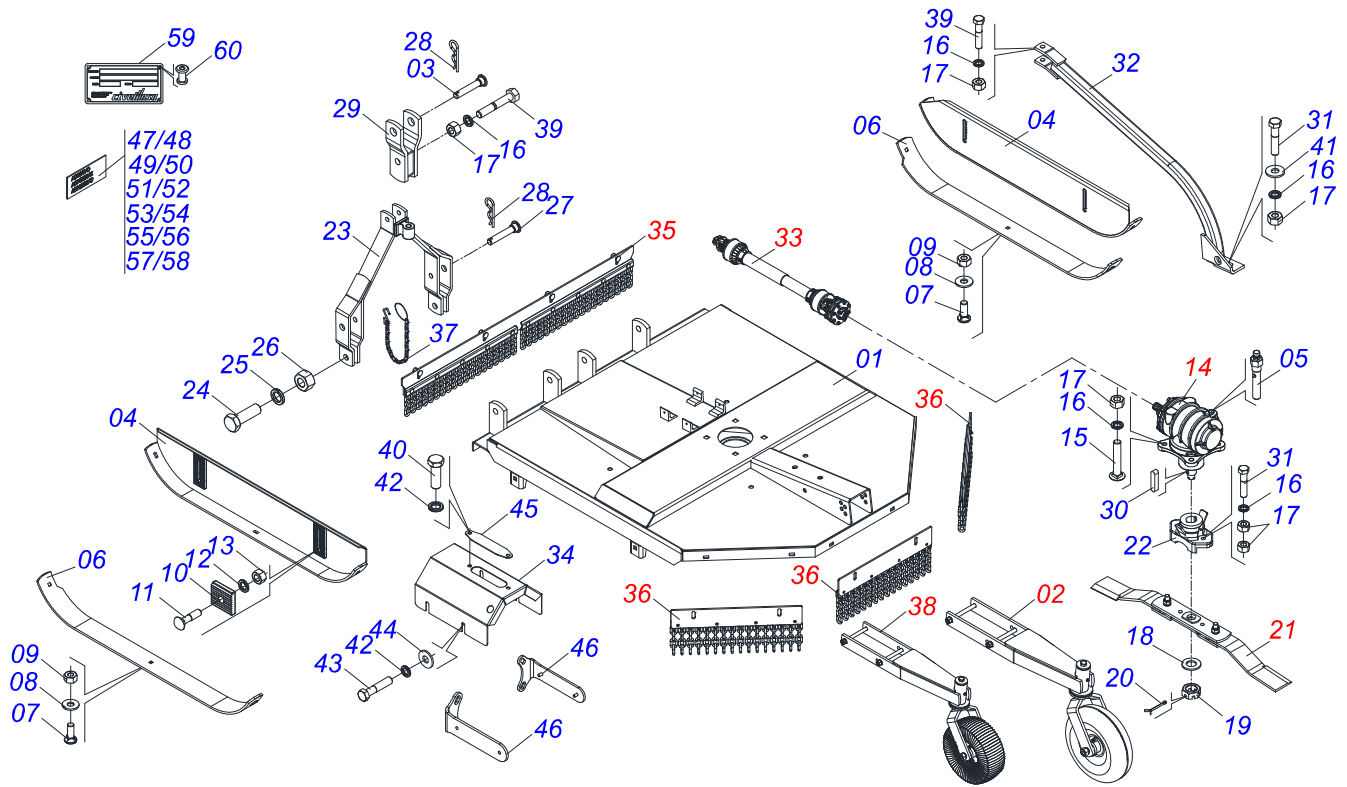
Code	Description
0121540028	RTDC2 1700 C/R S-0214
0121540031	RTDC2 1700 C/R C/PROT CORR C/RS S-0214
0121540031C	RTDC2 1700 C/R C/PROT CORR C/RS EXP S-0214
0121540029	RTDC2 1700 C/R S/PROT EXP S-0214
0121540029C	RTDC2 1700 C/R S/PROT EXP S-0214
0121540035C	RTDC2 1700 S/R C/PROT C/RS DM EXP S-0214
0121540035	RTDC2 1700 S/R C/PROT C/RS S-0214

ATTENTION: IMPORTANT

Civemasa reserves the right to improve and / or modify the technical features of its products, without obligation to do the same with those products already sold and without prior knowledge of the dealer or the consumer.

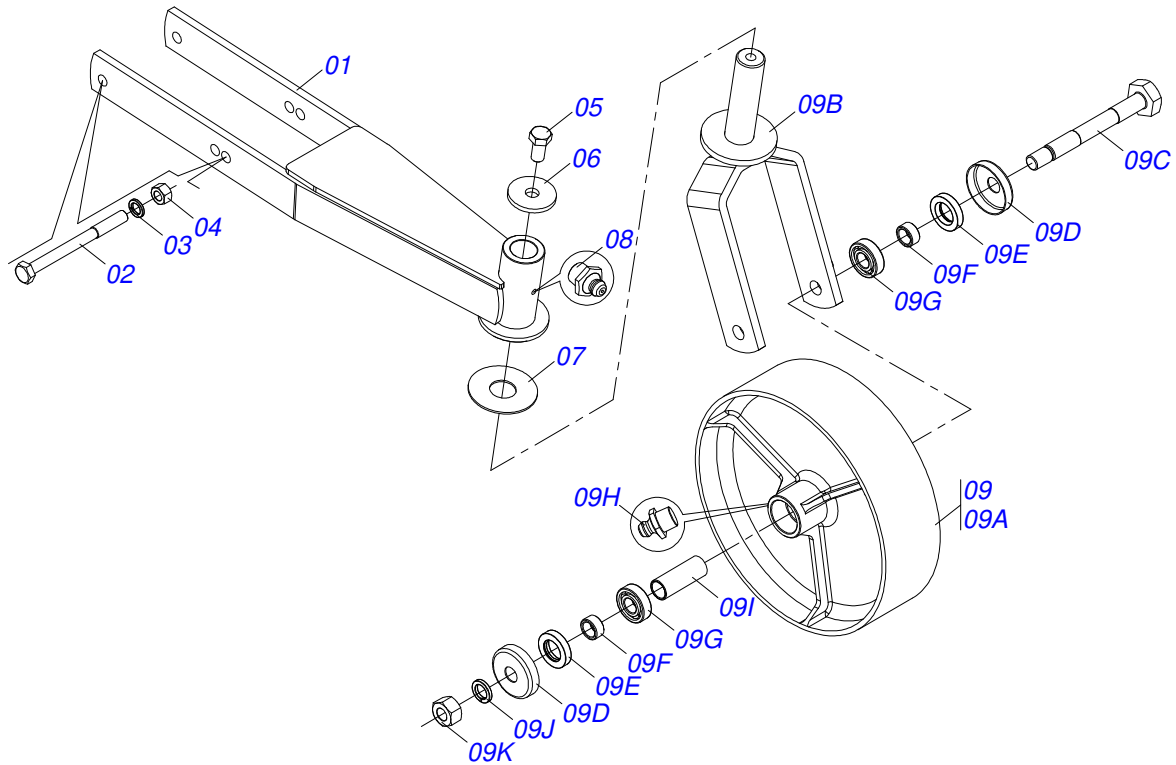
INDEX

0909094515	FRAME	1
0511047301	CARRYING WHEELS ASSY	2
0501046851	MULTIPLIER	3
0501056337	SUPPORT	4
0501047949	DRIVE SHAFT	5
0501043660	FRICTION	6
0511056658	CHAIN PROTECTION	7
0521050680	FRONT CURRENT PROTECTION (1805)	8
0511056655	CHAIN PROTECTION	9
0521050679	REAR CURRENT PROTECTION (910)	10
0501043642	RUBBER WHEEL ASSY	11

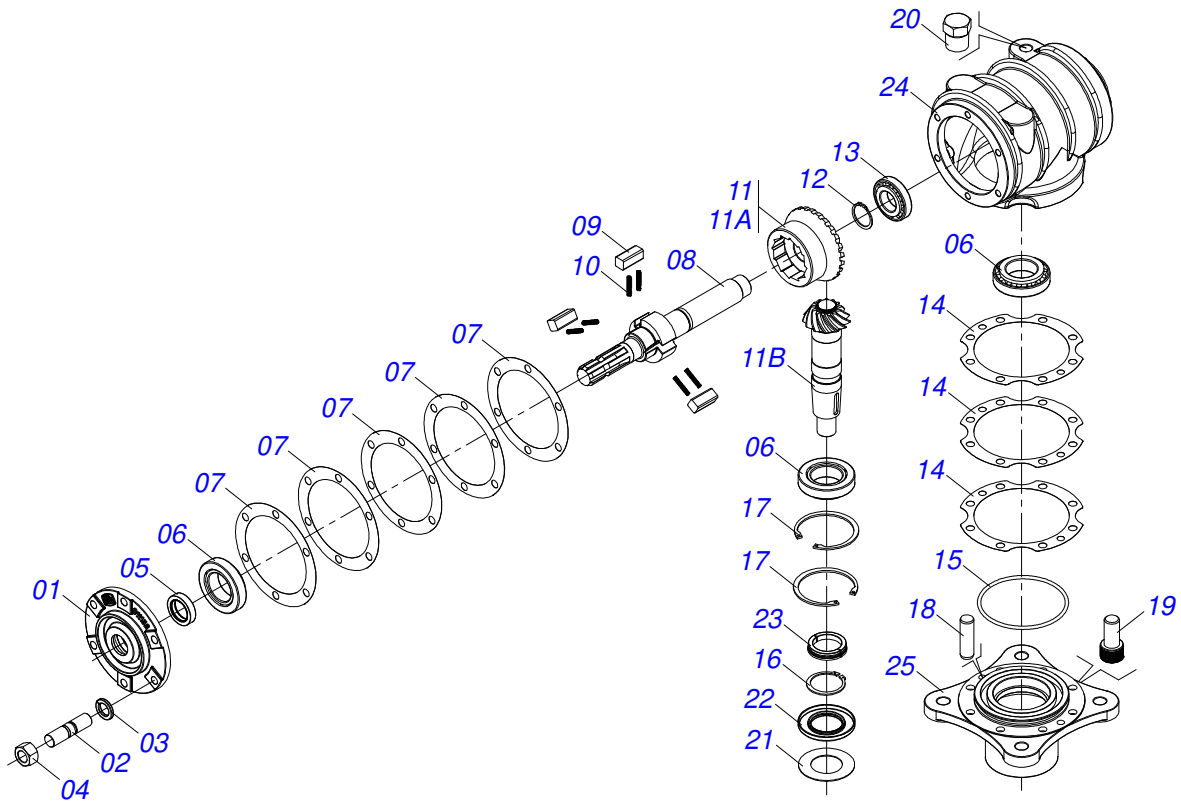


Item	Code	Description	See page	QT
01	0521065599	FRAME		01
02	0511047301	CARRYING WHEELS ASSY	2	01
03	0521010578	COUPLING SHAFT		01
04	0521066191	SKATE 1270		02
04.	0511064762	50"SKATE		02
05	0501110186	OIL SMALLER LEVEL INDICATOR		01
06	0531019433	SKID GUIDE		02
07	0503012956	1/2" X 1-1/2" BOLT		06
08	0511017302	FLAT WASHER		06
09	0503010020	1/2"NUT		06
10	0502010083	SQUARE WASHER		04
11	0501014177	5/8" X 2-1/2" BOLT		04
12	0503010027	5/8" SPRING WASHER		04
13	0503010013	5/8" NUT		04
14	0501046851	MULTIPLIER	3	01
15	0503013122	3/4 UNC X 4.1/4 CAPQ G.5 ZNBOLT		04
16	0503010023	3/4" SPRING WASHER		07
17	0503010014	3/4" NUT		07
18	0501017779	32 X 60 X 4.75 FLAT WASHER		01
19	0503011052	1.1/4" X 0.77" CASTLE NUT		01
20	0503010131	3/16" X 1-1/2" COTTERPIN		01
21	0501056337	SUPPORT	4	01
22	0502012453	SUPPORT FLANGE		01
23	0501067832	DRAWBAR		01
24	0503011432	BOLT		02
25	0503010012	1" SPRING WASHER		02
26	0501010059	1.5/8 NUT		02
27	0521010596	COUPLING SHAFT		02
28	0503031035	HAIR PIN		02
29	0501066445	PIVOT DOUBLE BAR		01
29.	0502040922	HEADER SUPPLEMENT		04

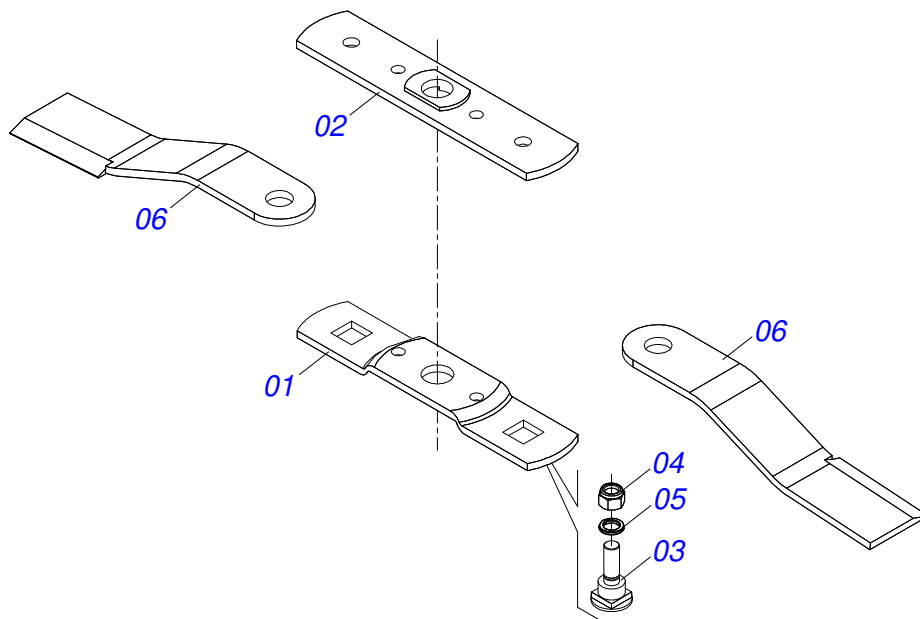
Item	Code	Description	See page	QT
30	0501010536	KEYWAY SQUARE		01
31	0503010901	3/4UNC 3.1/2 BOLT		01
32	0521065849	ATTACHMENT BAR		01
32.	0521066524	ATTACHMENT BAR		01
33	0501047949	DRIVE SHAFT	5	01
34	0531017832	PROTECTION COVER		01
34.	0581011777	BODY LOWER PROTECTION COAT		01
34..	0501110998	CARDAN TOP PROTECTION COVER		01
35	0511056658	CHAIN PROTECTION	7	01
35.	0521050680	FRONT CURRENT PROTECTION (1805)	8	01
36	0511056655	CHAIN PROTECTION	9	03
36.	0521050679	REAR CURRENT PROTECTION (910)	10	03
37	0503011981	17.7" CHAIN WITH HOOK/LINK		01
38	0501043642	RUBBER WHEEL ASSY	11	01
39	0501010216	3/4" X 4-1/2" BOLT		02
40	0503010256	3/8" X 3/4" BOLT		04
41	0501010322	FLAT WASHER		01
42	0503010025	3/8" SPRING WASHER		06
43	0503010237	3/8" X 1" BOLT		04
44	0501010984	FLAT WASHER		04
45	0581012546	LUBRICATION AXIS TRANSMISSION		01
46	0501110996	LOWER SUPPORT COVER PROTECTION WITH RIVET		02
47	0503031127	ADHESIVE LABEL		01
48	0503031427	ADHESIVE LABEL		01
49	0503031428	READ MANUAL DECAL		01
50	0503031930	ADHESIVE LABEL		01
51	0503031931	ADHESIVE LABEL		01
52	0503032534	ADHESIVE LABEL		01
53	0503032949	ADHESIVE LABEL		01
54	0503034078	LIFTING POINTS DECAL		01
55	0503033238	BADGE		01
56	0503034457	BADGE		01
57	0503033647	APPROVED BADGE		01
58	0503034247	ADHESIVE LABEL POINT LUBRICATION		01
59	0503034004	ALUMINUM IDENTIFICATION LABEL		01
60	0503010001	3.2 X 5.5 RIVET		04



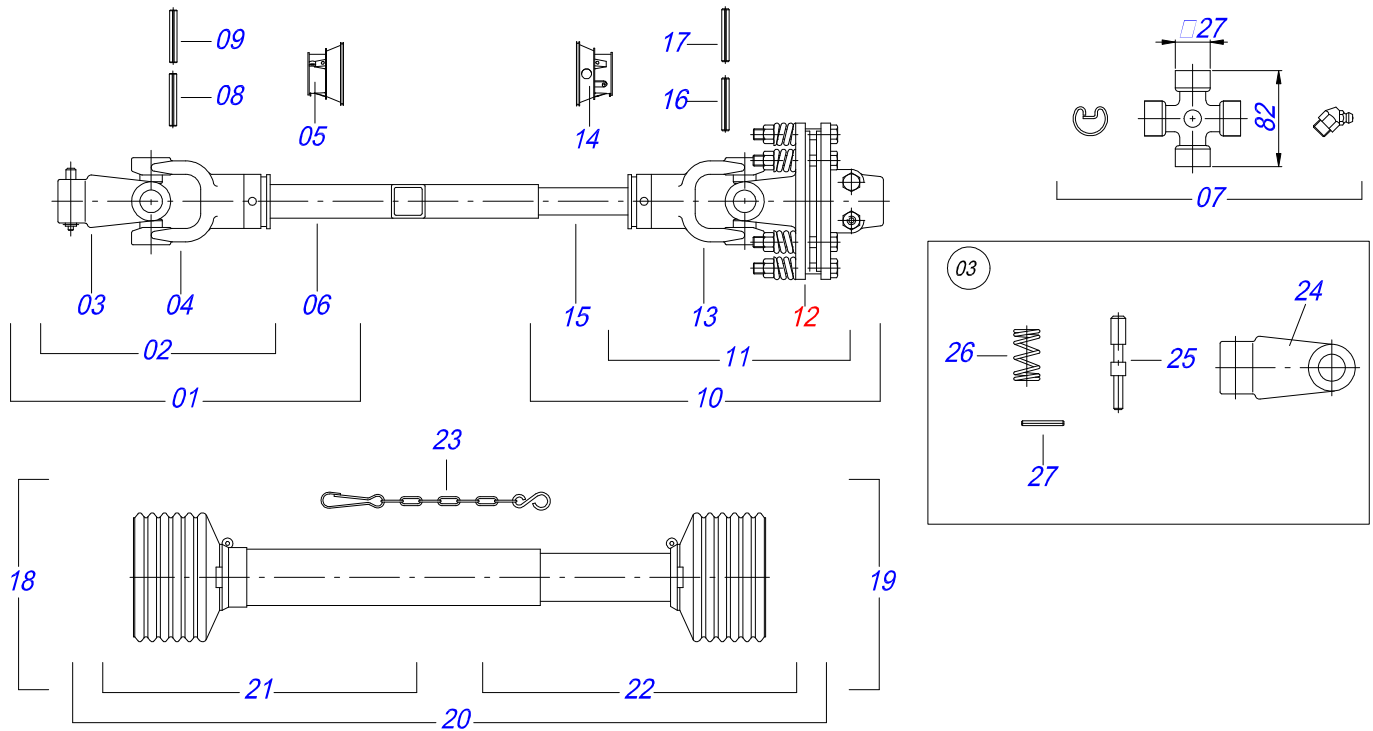
Item	Code	Description	See page	QT
01	0521065281	WHEEL SUPPORT	01	
02	0503010795	5/8" X 7" BOLT	02	
03	0503010027	5/8" SPRING WASHER	02	
04	0503010013	5/8" NUT	02	
05	0503010962	5/8" X 1-1/4" BOLT	01	
06	0511010721	FLAT WASHER	01	
07	0511013239	FLAT WASHER	01	
08	0503010002	1800 GREASE FITTING	01	
09	0501058460	CARRYING WHEELS	01	
09A	0502012519	350 X 100 WHEEL	01	
09B	0501065266	WHELL FORK	01	
09C	0501017143	WHEEL AXLE	01	
09D	0511014254	DUST CLOAK	02	
09E	0503010268	00262-B SEAL	02	
09F	0521010487	SPACER WASHER	02	
09G	0503010269	6204 BALL BEARING	02	
09H	0503010002	1800 GREASE FITTING	01	
09I	0521010460	0.9" X 1.1" X 2.9" SLEEVE	01	
09J	0503011442	3/4" SPRING WASHER	01	
09K	0503010014	3/4" NUT	01	



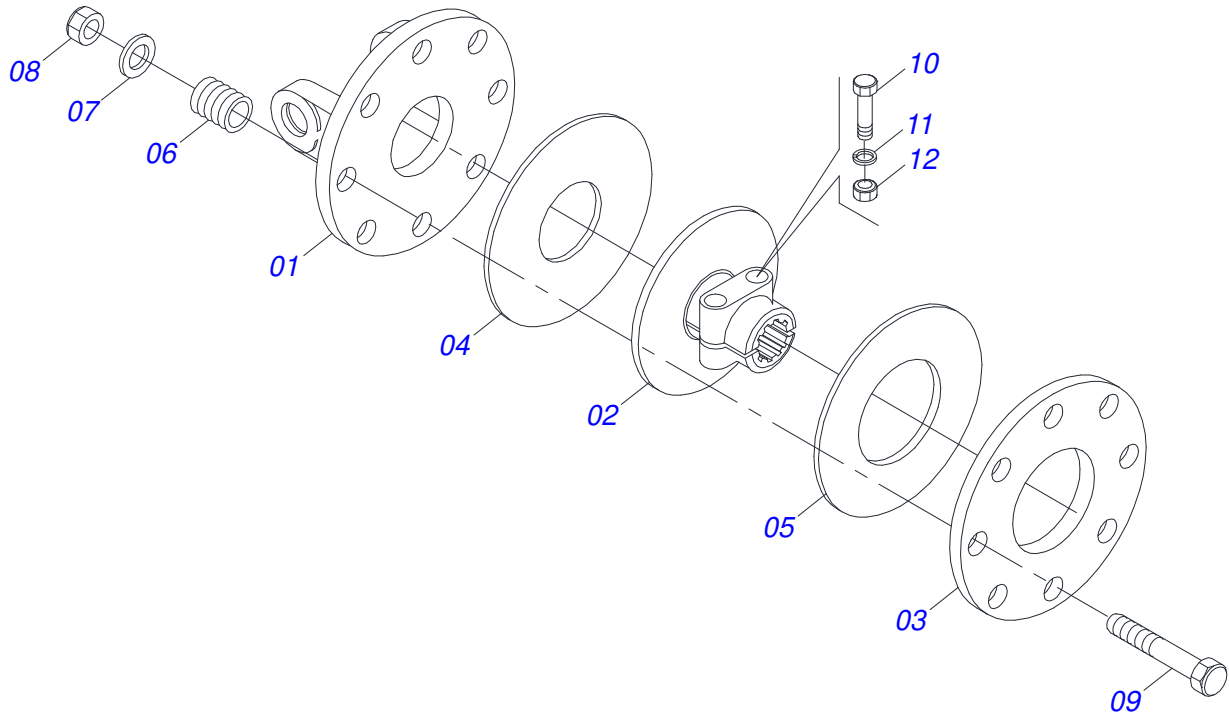
Item	Code	Description	See page	QT
01	0502011152	SMALLER COVER		01
02	0503030084	1/2" X 1/2" X 2.0" STUD		06
03	0503011440	SPRING WASHER		06
04	0503010028	1/2" NUT		06
05	0503011171	00912-BRG SEAL		01
06	0503010006	32210 ROLLER BEARING		03
07	0503030783	7.1" X 5.3" X 0.008" JOINT		05
08	0503050063	UPPER AXLE		01
09	0501010649	RATCHET CLICK		03
10	0503030051	0.2" X 1" X 0.1" COMPRESSION SPRING		06
11	0503060210	CROWN PINION SET		01
11A	0503050074	25Z CONICAL GEAR		01
11B	0503061048	PINION		01
12	0503010217	501040 CLAMPING RING (FOR AXLE)		01
13	0503010037	30207 ROLLER BEARING		01
14	0503030785	7.9" X 5.9" X 0.008" JOINT		03
15	0503010286	2-355 N 3006-9B O'RING		01
16	0503010396	501060 CLAMPING RING (FOR AXLE)		01
17	0503011190	SEAL RING		02
18	0503017877	PIN GUIDE		02
19	0503010562	1/2" X 1" BOLT		08
20	0503031604	1/2" BSP PLUG		01
21	0521018064	FLAT WASHER		01
22	0503011047	5089 SEAL		01
23	0511010142	LOCK RING		01
24	0502010984	LEFT MULTIPLIER BOX		01
25	0502011393	LOWER HUB		01



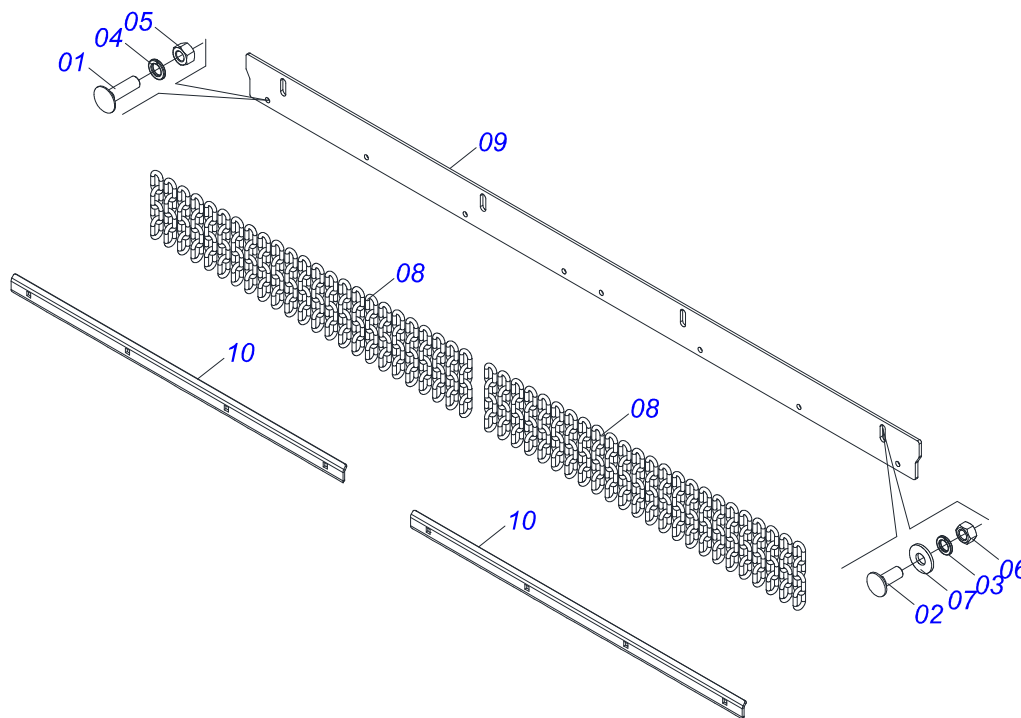
Item	Code	Description	See page	QT
01	0561017369	ROTARY LOWER SUPPORT LOWER		01
02	0561017307	SUPPORT UPPER BASE		01
03	0511019000	BOLT		02
04	0503010812	7/8" UNF SELF LOCKING NUT		02
05	0503011447	SPRING WASHER		02
06	0622400054	24.5" X 3.94" X 0.5" ROTARY CUTTER		02



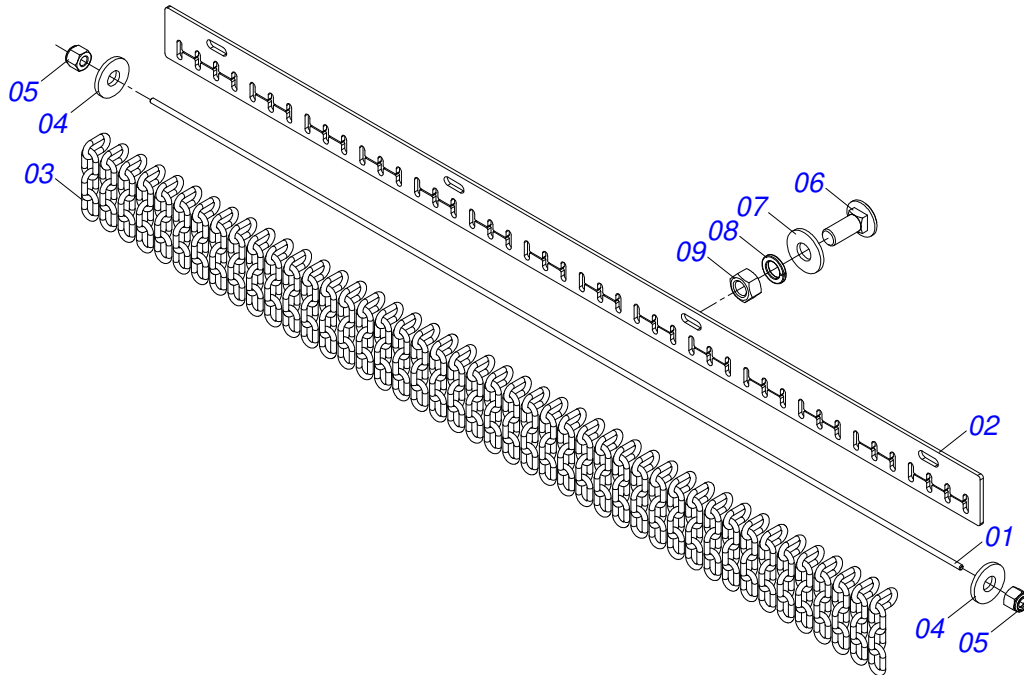
Item	Code	Description	See page	QT
01	0501051715	UNIVERSAL JOINT		01
02	0501050265	UNIVERSAL JOINT		01
03	0501050333	1-40 TERMINAL WITH HITCH		01
04	0502010565	2-40 TERMINAL W/ SH 1.5"/1.5"		01
05	0503012069	ADAPTER FOR BUSHING PROTECT		01
06	0501017429	31" X 1.5" SQUARE SLEEVE		01
07	0503010836	CARDAN CROSSPIECE		02
08	0503011069	0.4" X 2.8" SPRING PIN		01
09	0503010510	0.2" X 2.6" SPRING PIN		01
10	0501051716	UNIVERSAL JOINT WITH SHAFT		01
11	0501050466	UNIVERSAL JOINT WITH CROSSPIECE		01
12	0501043660	FRICITION	6	01
13	0502010566	3-40 TERMINAL WITH SH 1.2"/1.2"		01
14	0503012070	ADAPTER FOR AXLE PROTECTION		01
15	0501017425	1.2" X 31.5" SQUARE SHAFT		01
16	0503010361	SPRING PIN		01
17	0503010756	0.2" X 2.4" SPRING PIN		01
18	0501051701	UNIVERSAL JOINT WITH SLEEVE/PROT		01
19	0501051702	UNIVERSAL JOINT WITH AXLE/PROT		01
20	0503012077	PROTECTION ASSY		01
21	0503012078	PROTECTION FOR UNIV JOINT AND SLEEV		01
22	0503012079	PROTECTION FOR UNIV JOINT AND AXLE		01
23	0503012023	CHAIN FOR PROTECTION		02
24	0502010563	1-40 STRIATED 1.3/8" TERMINAL		01
25	0521010638	0.5" X 3.3" QUIC HITCH COUPL SHAFT		01
26	0503030518	0.5"X1.0"X 0.1" COMPRESSION SPRING		01
27	0503010838	0.1" X 0.8" SPRING PIN		01



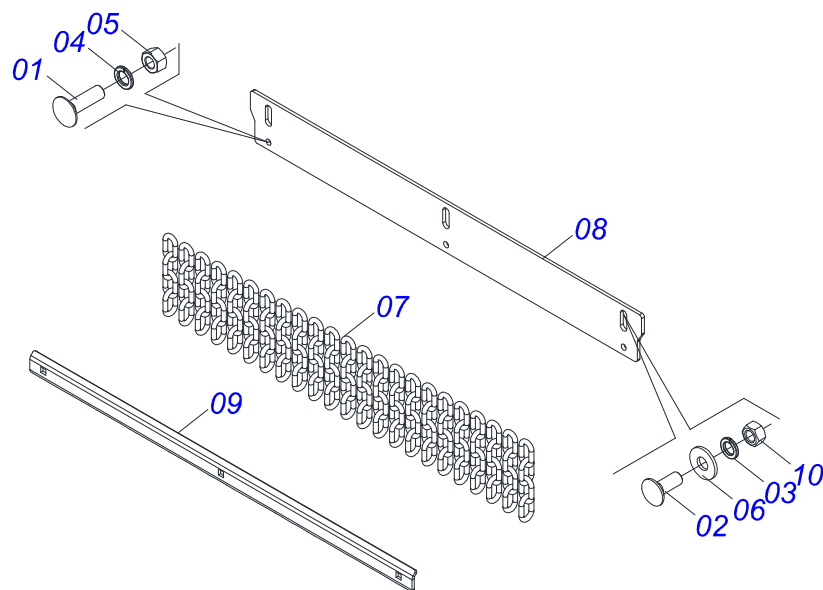
Item	Code	Description	See page	QT
01	0503011869	CENTRAL FLANGE		01
02	0503031478	OUTER FRICTION DISC		01
03	0503011870	REAR FLANGE		01
04	0503031474	INNER FRICTION DISC		01
05	0503011868	FRONT FLANGE		01
06	0503010752	1/2" X 3.1/2" BOLT		08
07	0503030630	1.02"X1.3"X0.2" COMPRESSION SPRING		08
08	0511017302	FLAT WASHER		08
09	0503011336	1/2" HEX SELF ADJUSTING NUT		08
10	0503010741	1/2" X 2-3/4" BOLT		02
11	0503010019	1/2" SPRING WASHER		02
12	0503010060	1/2" NUT		02



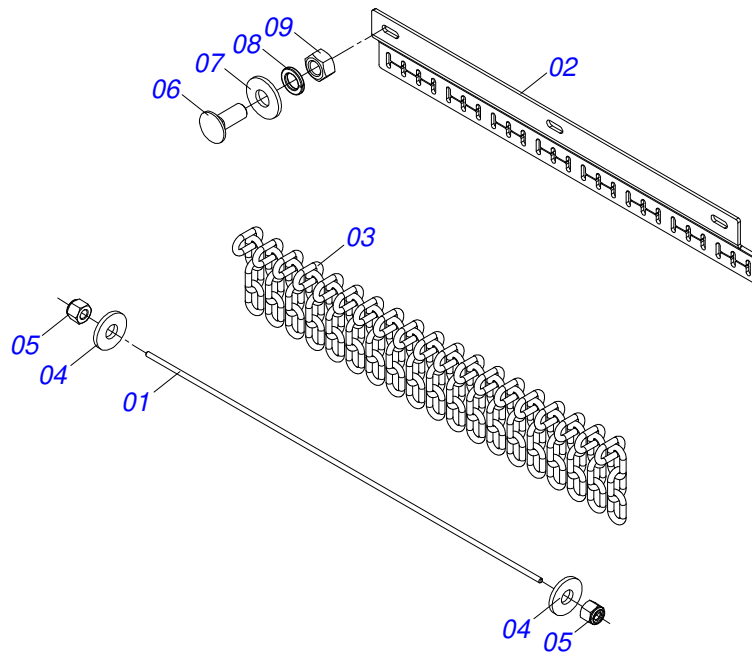
Item	Code	Description	See page	QT
01	0501010942	3/8" X 1-1/4" BOLT		08
02	0501011600	1/2" X 1-1/4" BOLT		04
03	0503010019	1/2" SPRING WASHER		04
04	0503010025	3/8" SPRING WASHER		08
05	0503010026	3/8" NUT		08
06	0503012682	1/2" BSW NUT		04
07	0511017302	FLAT WASHER		04
08	0511011774	8,00 CHAIN 4 LINK		48
09	0571017744	CHAIN PROTECTION BODY		01
10	0571017743	PROTECTION CLAW		02



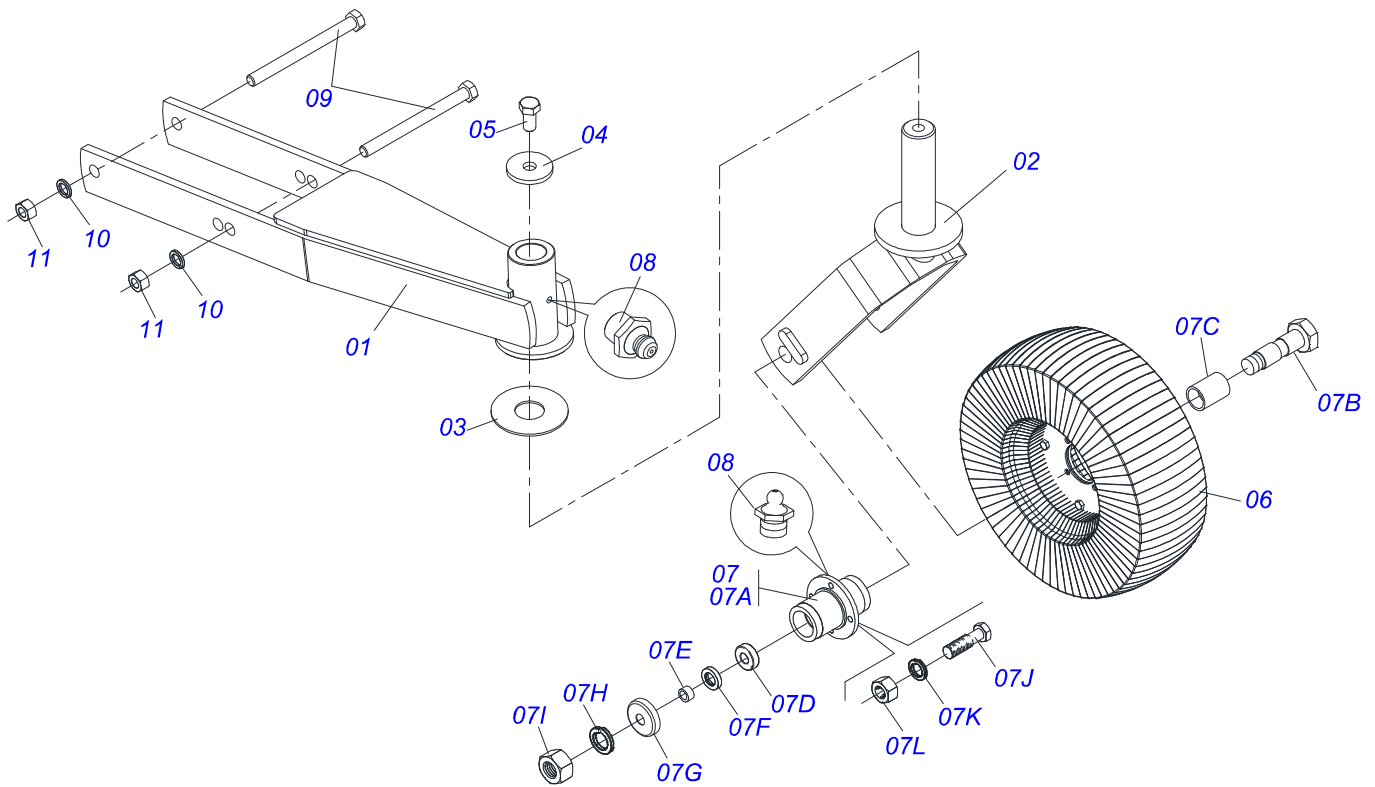
Item	Code	Description	See page	QT
01	0581013929	CURRENT PROTECTION ROD (1805)	01	
02	0581013928	BODY FRONT CURRENT PROTECTION (1805)	01	
03	0511011774	8,00 CHAIN 4 LINK	50	
04	0501010984	FLAT WASHER	02	
05	0503013759	NUT	02	
06	0501011600	1/2" X 1-1/4" BOLT	04	
07	0511017302	FLAT WASHER	04	
08	0503010019	1/2" SPRING WASHER	04	
09	0503012682	1/2" BSW NUT	04	



Item	Code	Description	See page	QT
01	0501010942	3/8" X 1-1/4" BOLT		03
02	0501011600	1/2" X 1-1/4" BOLT		03
03	0503010019	1/2" SPRING WASHER		03
04	0503010025	3/8" SPRING WASHER		03
05	0503010026	3/8" NUT		03
06	0511017302	FLAT WASHER		03
07	0511011774	8,00 CHAIN 4 LINK		23
08	0571017739	CHAIN PROTECTION BODY		01
09	0571017738	PROTECTION CLAW		01
10	0503012682	1/2" BSW NUT		03



Item	Code	Description	See page	QT
01	0581013927	ROD CURRENT PROTECTION (910)		01
02	0581013926	BODY REAR CURRENT PROTECTION (910)		01
03	0511011774	8,00 CHAIN 4 LINK		25
04	0501010984	FLAT WASHER		02
05	0503013759	NUT		02
06	0501011600	1/2" X 1-1/4" BOLT		03
07	0511017302	FLAT WASHER		03
08	0503010019	1/2" SPRING WASHER		03
09	0503012682	1/2" BSW NUT		03



Item	Code	Description	See page	QT
01	0501069375	WHEEL SUPPORT		01
02	0501065266	WHELL FORK		01
03	0511013239	FLAT WASHER		01
04	0511010721	FLAT WASHER		01
05	0503010962	5/8" X 1-1/4" BOLT		01
06	0501050433	TIRE WHELL		01
07	0501051587	WHEELS BOX ASSY		01
07A	0502011286	WHEELS BOX ASSY		01
07B	0501017143	WHEEL AXLE		01
07C	0521010460	0.9" X 1.1" X 2.9" SLEEVE		01
07D	0503010269	6204 BALL BEARING		02
07E	0521010487	SPACER WASHER		02
07F	0503010268	00262-B SEAL		02
07G	0511014254	DUST CLOAK		01
07H	0503010023	3/4" SPRING WASHER		01
07I	0503010014	3/4" NUT		04
07J	0501010080	3/8" BOLT		04
07K	0503010025	3/8" SPRING WASHER		04
07L	0503010026	3/8" NUT		02
08	0503010002	1800 GREASE FITTING		01
09	0503010795	5/8" X 7" BOLT		02
10	0503010027	5/8" SPRING WASHER		02
11	0503010013	5/8" NUT		02



civemasa

Technical Publications | Elaboration and Revision
ALESSANDRA PATRICIA KAWAHARA CARRILI

www.civemasa.com.br

