

ROTARY CUTTERS

RTDC2 1500

Code: 0501091613
Series: S-0214
Revision: 00
Revision Date: AGOSTO/2021

PARTS CATALOGUE

CIVEMASA

A solid orange horizontal bar at the top left of the page.

PRODUCTS

Code	Description
0121540030	RTDC2 1500 C/R C/PROT CORR S-0214
0121540027	RTDC2 1500 C/R S/PROT EXP S-0214
0121540027C	RTDC2 1500 C/R S/PROT EXP S-0214
0121540037	RTDC2 1500 S/R C/PROT CORR S-0214
0121540026	RTDC2 1500 S/R S/PROT EXP S-0214

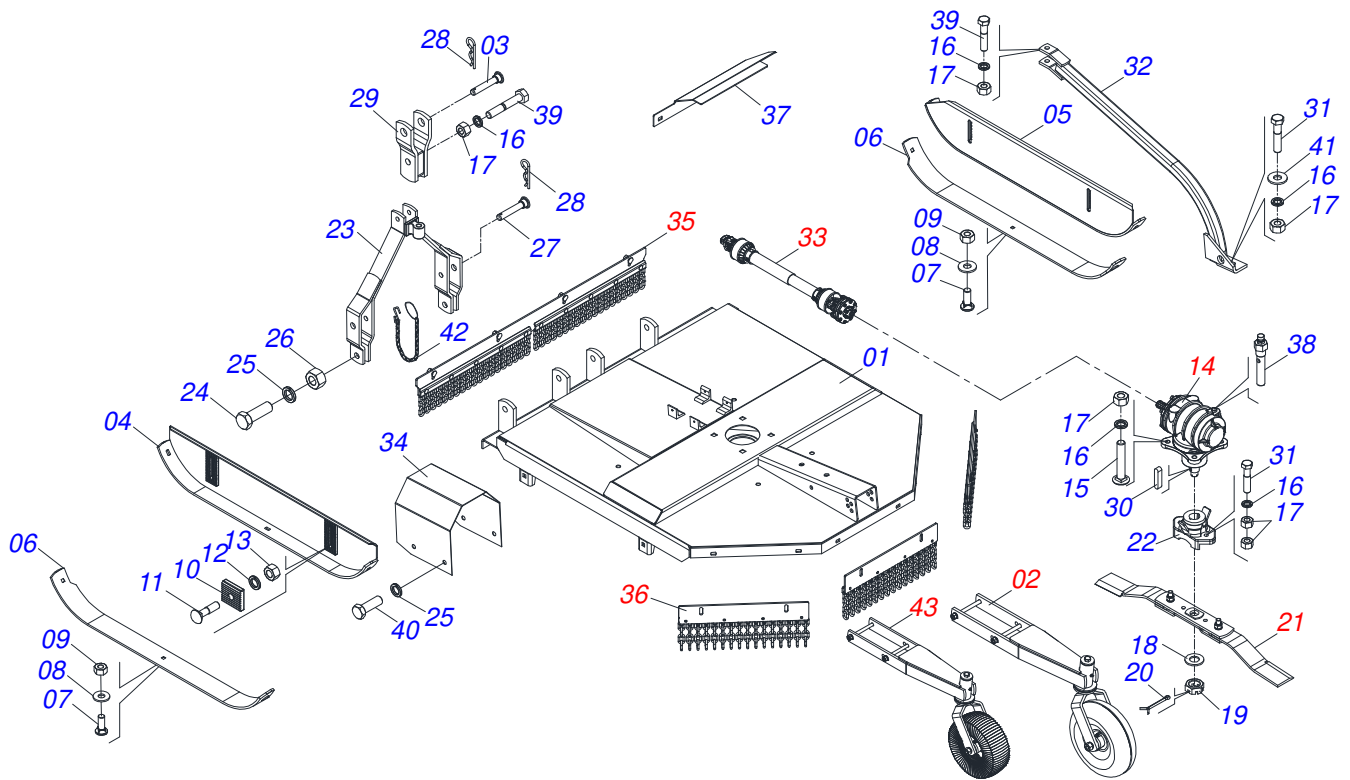
ATTENTION: IMPORTANT

Civemasa reserves the right to improve and / or modify the technical features of its products, without obligation to do the same with those products already sold and without prior knowledge of the dealer or the consumer.



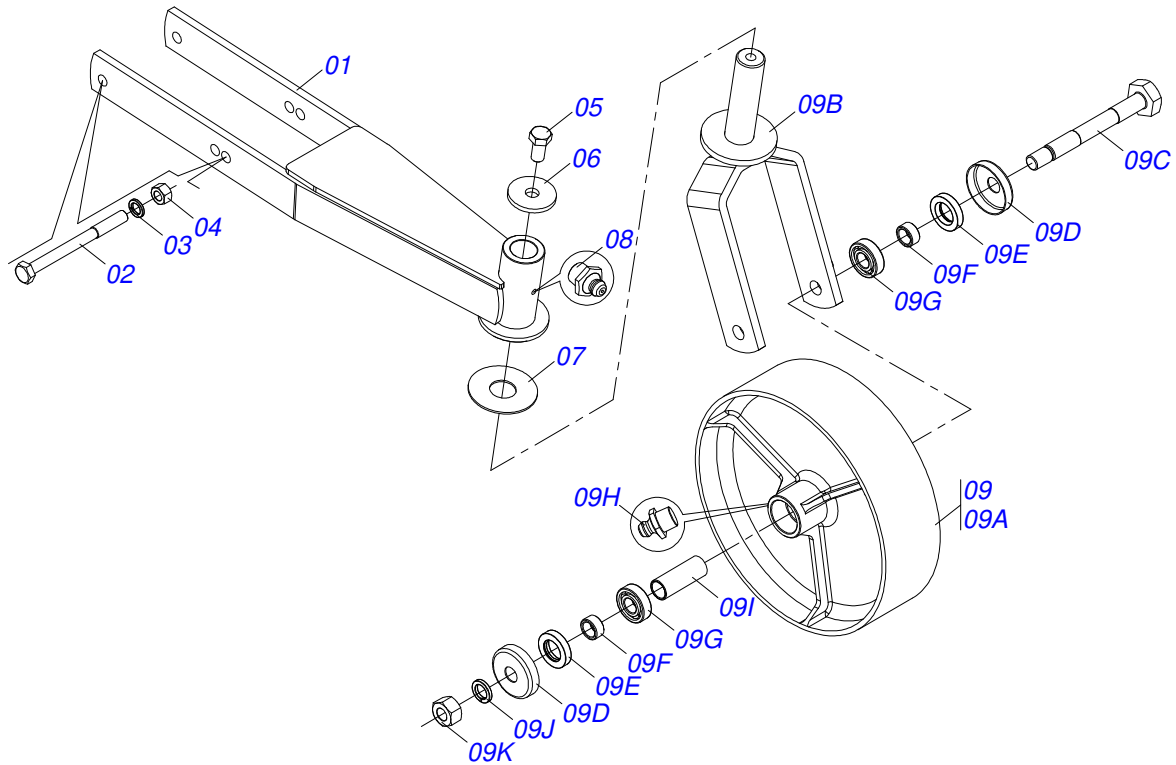
INDEX

0909091220	FRAME	1
0511047301	CARRYING WHEELS ASSY	2
0501043642	RUBBER WHEEL ASSY	3
0501056321	SUPPORT ROTARY CUTTER BLADES	4
0501047949	DRIVE SHAFT	5
0501047949(STU)	CARDAN	6
0511056592	CHAIN PROTECTION	7
0511056593	CHAIN PROTECTION	8
0501043660	FRICTION	9
0501046851	MULTIPLIER	10

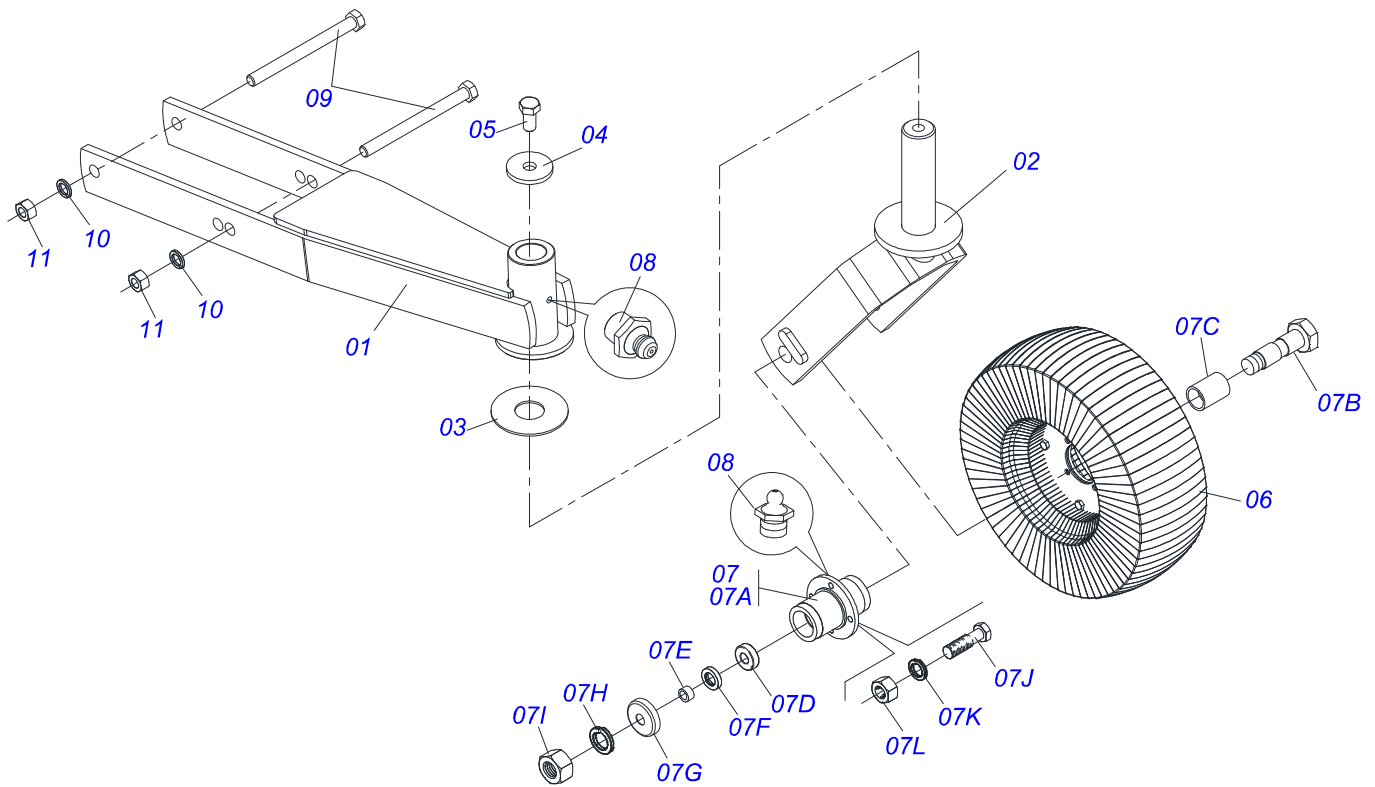


Item	Code	Description	See page	QT
01	0521065560	FRAME		01
02	0511047301	CARRYING WHEELS ASSY	2	01
03	0521010578	COUPLING SHAFT		01
04	0521066191	SKATE 1270		01
05	0521067012	RIGHT SKATE (1270)		01
06	0531019433	SKID GUIDE		02
07	0503012956	1/2" X 1-1/2" BOLT		06
08	0511017302	FLAT WASHER		06
09	0503010020	1/2"NUT		06
10	0502010083	SQUARE WASHER		04
11	0501014177	5/8" X 2-1/2" BOLT		04
12	0503010027	5/8" SPRING WASHER		04
13	0503010013	5/8" NUT		04
14	0501046851	MULTIPLIER	10	01
15	0503013122	3/4 UNC X 4.1/4 CAPQ G.5 ZNBOLT		04
16	0503010023	3/4" SPRING WASHER		07
17	0503010014	3/4" NUT		07
18	0501017779	32 X 60 X 4.75 FLAT WASHER		01
19	0503011052	1.1/4" X 0.77" CASTLE NUT		01
20	0503010131	3/16" X 1-1/2" COTTERPIN		01
21	0501056321	SUPPORT ROTARY CUTTER BLADES	4	01
22	0502012453	SUPPORT FLANGE		01
23	0501067832	DRAWBAR		01
24	0501010276	BOLT		02
25	0503010012	1" SPRING WASHER		02
26	0501010059	1.5/8 NUT		02
27	0521010596	COUPLING SHAFT		02
28	0503031035	HAIR PIN		02
29	0501060330	PIVOT DOUBLE BAR		01
30	0501010536	KEYWAY SQUARE		01
31	0503010901	3/4UNC 3.1/2 BOLT		01

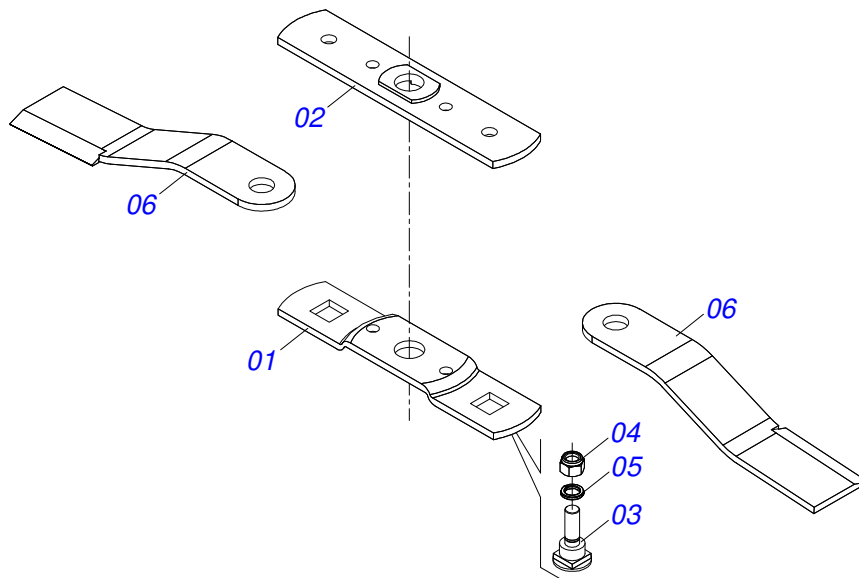
Item	Code	Description	See page	QT
32	0521065849	ATTACHMENT BAR		01
33	0501047949	DRIVE SHAFT	5	01
34	0531017832	PROTECTION COVER		01
35	0511056593	CHAIN PROTECTION	8	01
36	0511056592	CHAIN PROTECTION	7	03
37	0581011895	FRONT PROTETION FRAME		01
38	0501110186	OIL SMALLER LEVEL INDICATOR		01
39	0501010216	3/4" X 4-1/2" BOLT		02
40	0503010256	3/8" X 3/4" BOLT		04
41	0501010322	FLAT WASHER		01
42	0503011981	17.7" CHAIN WITH HOOK/LINK		01
43	0501043642	RUBBER WHEEL ASSY	3	01



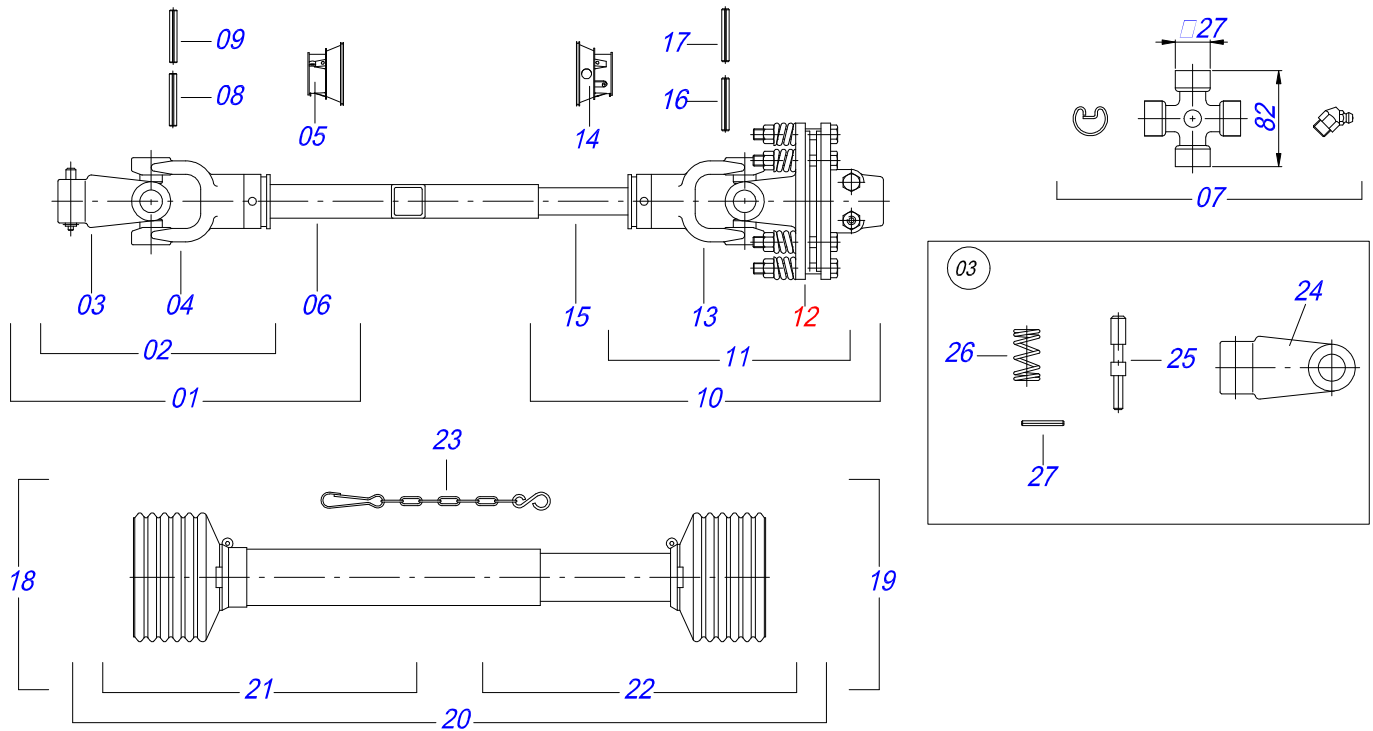
Item	Code	Description	See page	QT
01	0521065281	WHEEL SUPPORT		01
02	0503010795	5/8" X 7" BOLT		02
03	0503010027	5/8" SPRING WASHER		02
04	0503010013	5/8" NUT		02
05	0503010962	5/8" X 1-1/4" BOLT		01
06	0511010721	FLAT WASHER		01
07	0511013239	FLAT WASHER		01
08	0503010002	1800 GREASE FITTING		01
09	0501058460	CARRYING WHEELS		01
09A	0502012519	350 X 100 WHEEL		01
09B	0501065266	WHELL FORK		01
09C	0501017143	WHEEL AXLE		01
09D	0511014254	DUST CLOAK		02
09E	0503010268	00262-B SEAL		02
09F	0521010487	SPACER WASHER		02
09G	0503010269	6204 BALL BEARING		02
09H	0503010002	1800 GREASE FITTING		01
09I	0521010460	0.9" X 1.1" X 2.9" SLEEVE		01
09J	0503011442	3/4" SPRING WASHER		01
09K	0503010014	3/4" NUT		01



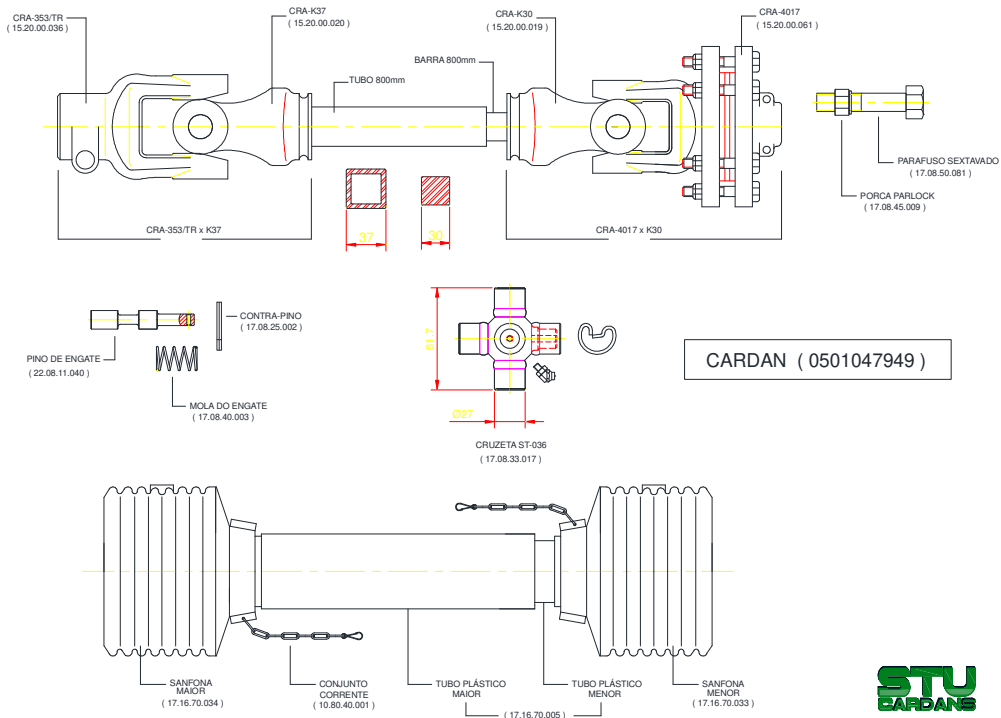
Item	Code	Description	See page	QT
01	0501069375	WHEEL SUPPORT		01
02	0501065266	WHELL FORK		01
03	0511013239	FLAT WASHER		01
04	0511010721	FLAT WASHER		01
05	0503010962	5/8" X 1-1/4" BOLT		01
06	0501050433	TIRE WHELL		01
07	0501051587	WHEELS BOX ASSY		01
07A	0502011286	WHEELS BOX ASSY		01
07B	0501017143	WHEEL AXLE		01
07C	0521010460	0.9" X 1.1" X 2.9" SLEEVE		01
07D	0503010269	6204 BALL BEARING		02
07E	0521010487	SPACER WASHER		02
07F	0503010268	00262-B SEAL		02
07G	0511014254	DUST CLOAK		01
07H	0503010023	3/4" SPRING WASHER		01
07I	0503010014	3/4" NUT		04
07J	0501010080	3/8" BOLT		04
07K	0503010025	3/8" SPRING WASHER		04
07L	0503010026	3/8" NUT		02
08	0503010002	1800 GREASE FITTING		01
09	0503010795	5/8" X 7" BOLT		02
10	0503010027	5/8" SPRING WASHER		02
11	0503010013	5/8" NUT		02



Item	Code	Description	See page	QT
01	0561017368	ROTARY LOWER SUPPORT		01
02	0561017308	SUPPORT UPPER BASE		01
03	0511019000	BOLT		02
04	0503010812	7/8" UNF SELF LOCKING NUT		02
05	0503011447	SPRING WASHER		02
06	0622400054	24.5" X 3.94" X 0.5" ROTARY CUTTER		02



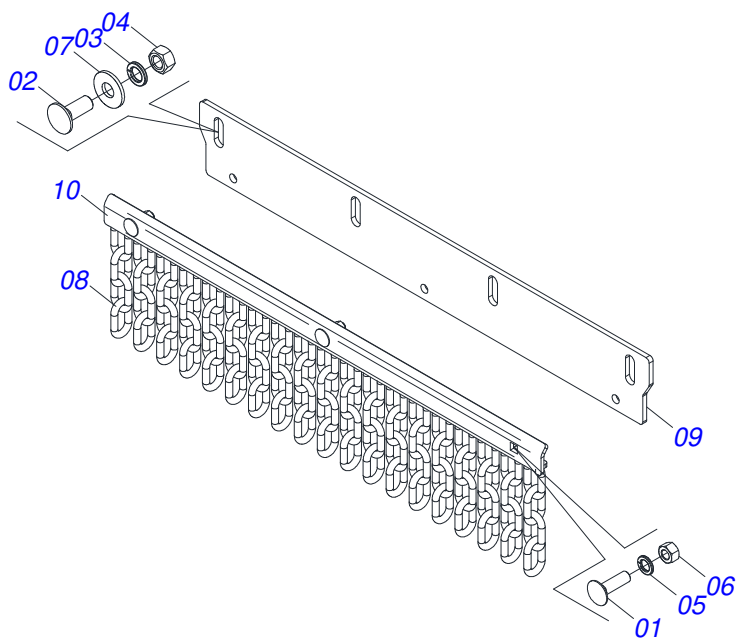
Item	Code	Description	See page	QT
01	0501051715	UNIVERSAL JOINT		01
02	0501050265	UNIVERSAL JOINT		01
03	0501050333	1-40 TERMINAL WITH HITCH		01
04	0502010565	2-40 TERMINAL W/ SH 1.5"/1.5"		01
05	0503012069	ADAPTER FOR BUSHING PROTECT		01
06	0501017429	31" X 1.5" SQUARE SLEEVE		01
07	0503010836	CARDAN CROSSPIECE		02
08	0503011069	0.4" X 2.8" SPRING PIN		01
09	0503010510	0.2" X 2.6" SPRING PIN		01
10	0501051716	UNIVERSAL JOINT WITH SHAFT		01
11	0501050466	UNIVERSAL JOINT WITH CROSSPIECE		01
12	0501043660	FRICITION	9	01
13	0502010566	3-40 TERMINAL WITH SH 1.2"/1.2"		01
14	0503012070	ADAPTER FOR AXLE PROTECTION		01
15	0501017425	1.2" X 31.5" SQUARE SHAFT		01
16	0503010361	SPRING PIN		01
17	0503010756	0.2" X 2.4" SPRING PIN		01
18	0501051701	UNIVERSAL JOINT WITH SLEEVE/PROT		01
19	0501051702	UNIVERSAL JOINT WITH AXLE/PROT		01
20	0503012077	PROTECTION ASSY		01
21	0503012078	PROTECTION FOR UNIV JOINT AND SLEEV		01
22	0503012079	PROTECTION FOR UNIV JOINT AND AXLE		01
23	0503012023	CHAIN FOR PROTECTION		02
24	0502010563	1-40 STRIATED 1.3/8" TERMINAL		01
25	0521010638	0.5" X 3.3" QUIC HITCH COUPL SHAFT		01
26	0503030518	0.5"X1.0"X 0.1" COMPRESSION SPRING		01
27	0503010838	0.1" X 0.8" SPRING PIN		01



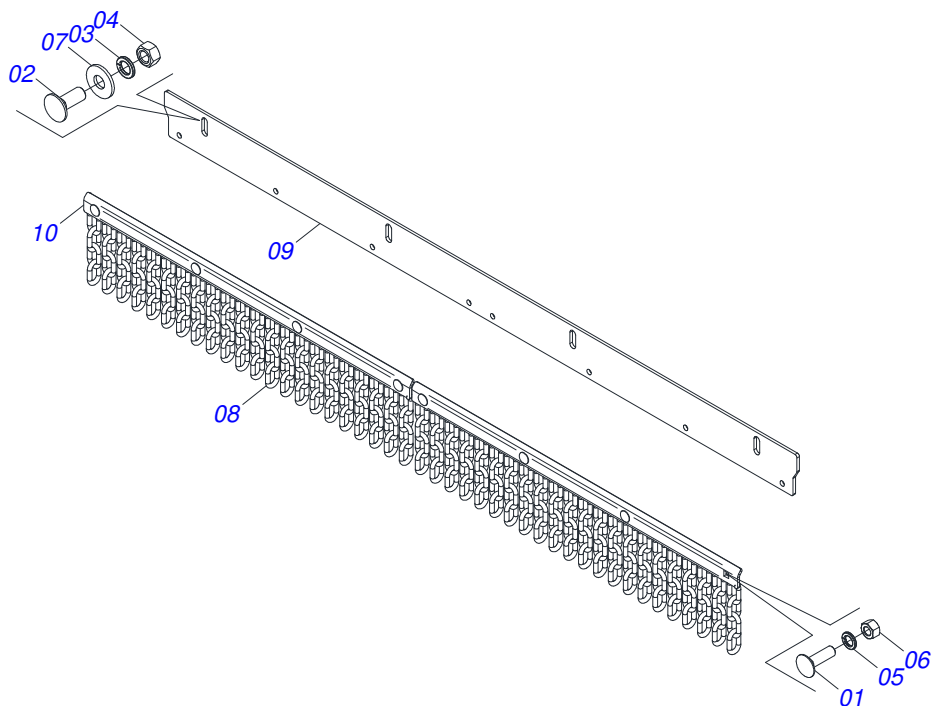
CARDAN (0501047949)



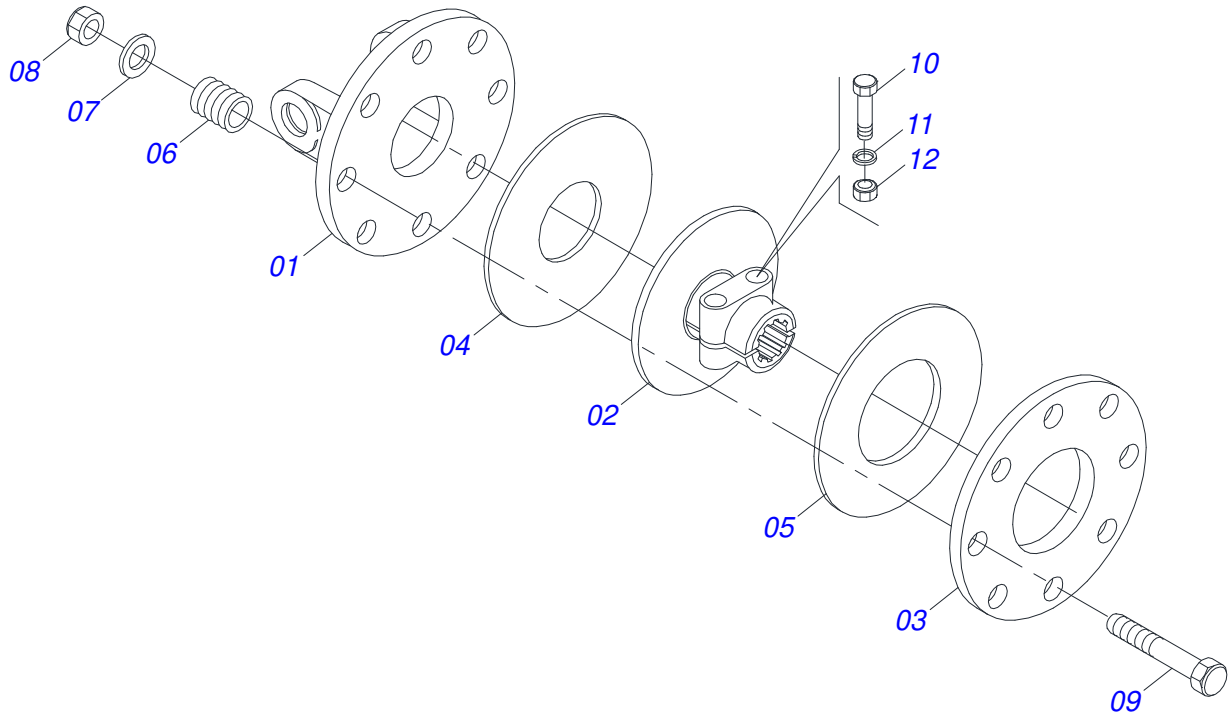
Item	Code	Description	See page	QT
1	0501047949(STU)	CARDAN	6	



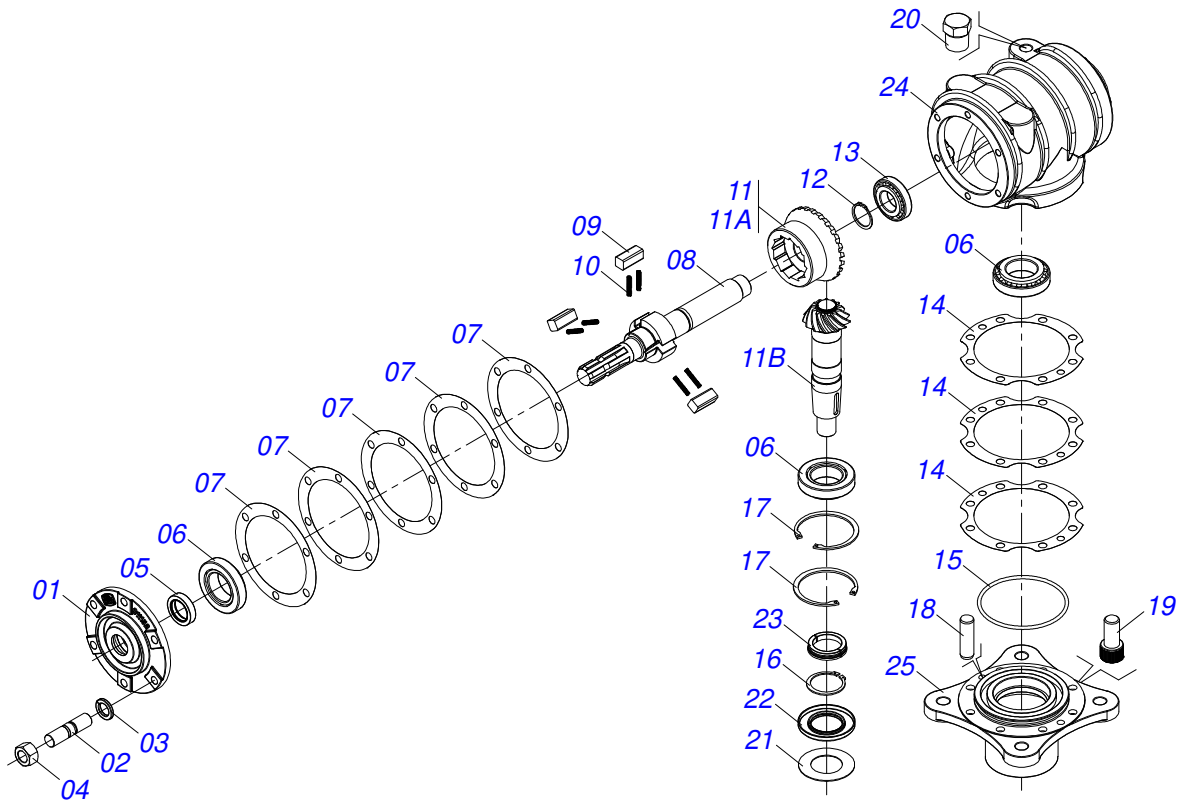
Item	Code	Description	See page	QT
01	0501010942	3/8" X 1-1/4" BOLT		03
02	0501011600	1/2" X 1-1/4" BOLT		04
03	0503010019	1/2" SPRING WASHER		04
04	0503012682	1/2" BSW NUT		04
05	0503010025	3/8" SPRING WASHER		03
06	0503010026	3/8" NUT		03
07	0511017302	FLAT WASHER		04
08	0511011774	8,00 CHAIN 4 LINK		19
09	0571017654	CHAIN PROTECTION BODY		01
10	0571017653	PROTECTION CLAW		01



Item	Code	Description	See page	QT
01	0501010942	3/8" X 1-1/4" BOLT	08	
02	0501011600	1/2" X 1-1/4" BOLT	04	
03	0503010019	1/2" SPRING WASHER	04	
04	0503012682	1/2" BSW NUT	04	
05	0503010025	3/8" SPRING WASHER	08	
06	0503010026	3/8" NUT	08	
07	0511017302	FLAT WASHER	04	
08	0511011774	8,00 CHAIN 4 LINK	44	
09	0571017657	CHAIN PROTECTION BODY	01	
10	0571017658	PROTECTION CLAW	02	



Item	Code	Description	See page	QT
01	0503011869	CENTRAL FLANGE		01
02	0503031478	OUTER FRICTION DISC		01
03	0503011870	REAR FLANGE		01
04	0503031474	INNER FRICTION DISC		01
05	0503011868	FRONT FLANGE		01
06	0503010752	1/2" X 3.1/2" BOLT		08
07	0503030630	1.02"X1.3"X0.2" COMPRESSION SPRING		08
08	0511017302	FLAT WASHER		08
09	0503011336	1/2" HEX SELF ADJUSTING NUT		08
10	0503010741	1/2" X 2-3/4" BOLT		02
11	0503010019	1/2" SPRING WASHER		02
12	0503010060	1/2" NUT		02



Item	Code	Description	See page	QT
01	0502011152	SMALLER COVER	01	
02	0503030084	1/2" X 1/2" X 2.0" STUD	06	
03	0503011440	SPRING WASHER	06	
04	0503010028	1/2" NUT	06	
05	0503011171	00912-BRG SEAL	01	
06	0503010006	32210 ROLLER BEARING	03	
07	0503030783	7.1" X 5.3" X 0.008" JOINT	05	
08	0503050063	UPPER AXLE	01	
09	0501010649	RATCHET CLICK	03	
10	0503030051	0.2" X 1" X 0.1" COMPRESSION SPRING	06	
11	0503060210	CROWN PINION SET	01	
11A	0503050074	25Z CONICAL GEAR	01	
11B	0503061048	PINION	01	
12	0503010217	501040 CLAMPING RING (FOR AXLE)	01	
13	0503010037	30207 ROLLER BEARING	01	
14	0503030785	7.9" X 5.9" X 0.008" JOINT	03	
15	0503010286	2-355 N 3006-9B O'RING	01	
16	0503010396	501060 CLAMPING RING (FOR AXLE)	01	
17	0503011190	SEAL RING	02	
18	0503017877	PIN GUIDE	02	
19	0503010562	1/2" X 1" BOLT	08	
20	0503031604	1/2" BSP PLUG	01	
21	0521018064	FLAT WASHER	01	
22	0503011047	5089 SEAL	01	
23	0511010142	LOCK RING	01	
24	0502010984	LEFT MULTIPLIER BOX	01	
25	0502011393	LOWER HUB	01	



civemasa

Technical Publications | Elaboration and Revision
ALESSANDRA PATRICIA KAWAHARA CARRILI

www.civemasa.com.br

