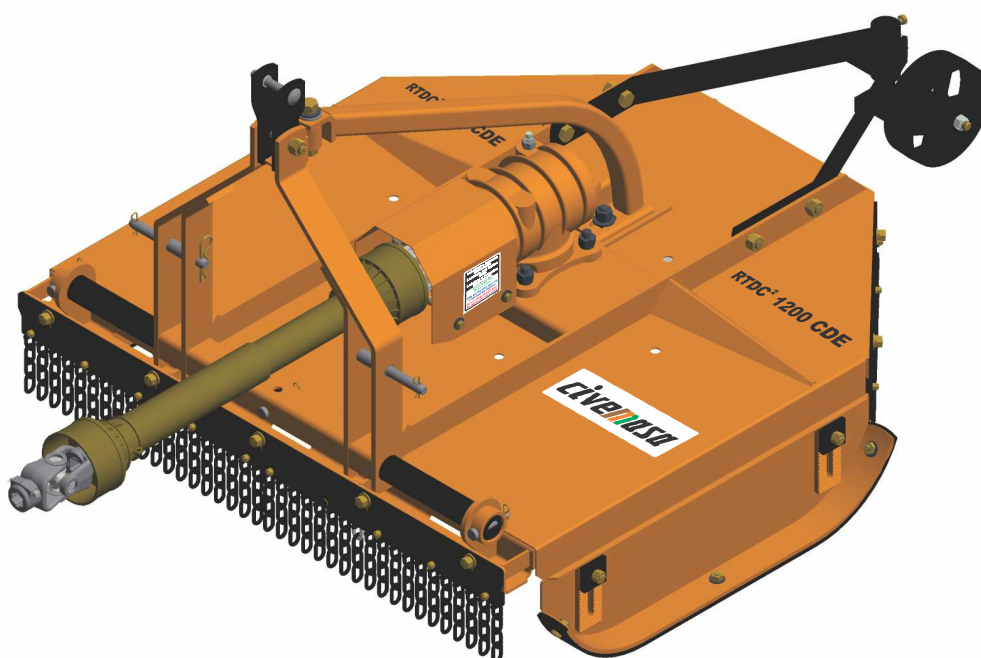


PARTS CATALOGUE

ROTARY CUTTERS

RTDC2 1200 CDE

Code: 0501091611



Series: S-0214

Review: MARÇO/2016

ORIGINAL PARTS
CIVEMASA

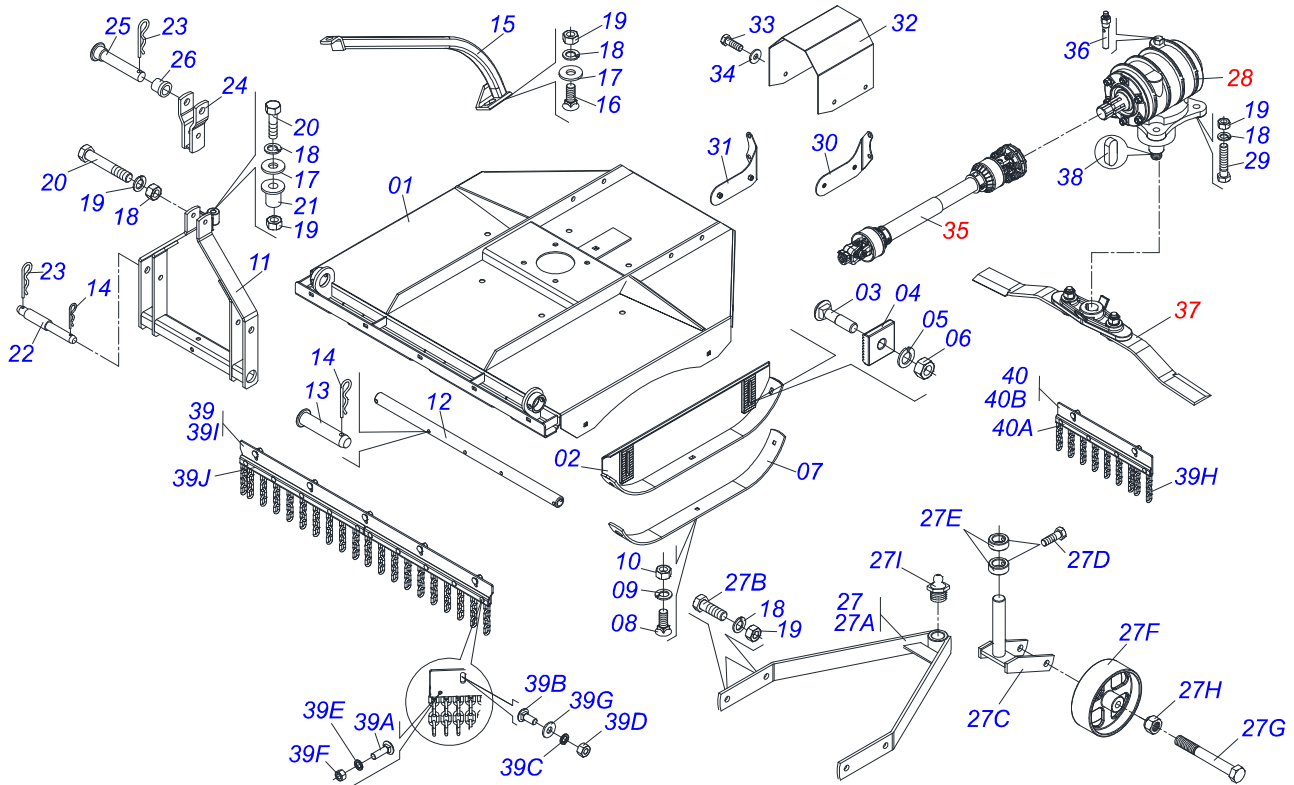
civemasa

INDEX

0909090887	FRAME	1
0501058161	CUTTER COMPLETE SUPPORT	2
0501047949	DRIVE SHAFT	3
0909090701	CARDAN 40 X 800 T1/FRI CP 0501047949 (STU)	4
0501043660	FRICION	5
0501046851	MULTIPLIER	6
0909091430	(SHEET METAL SUPPORT)SPARE	7

ATTENTION: **IMPORTANT**

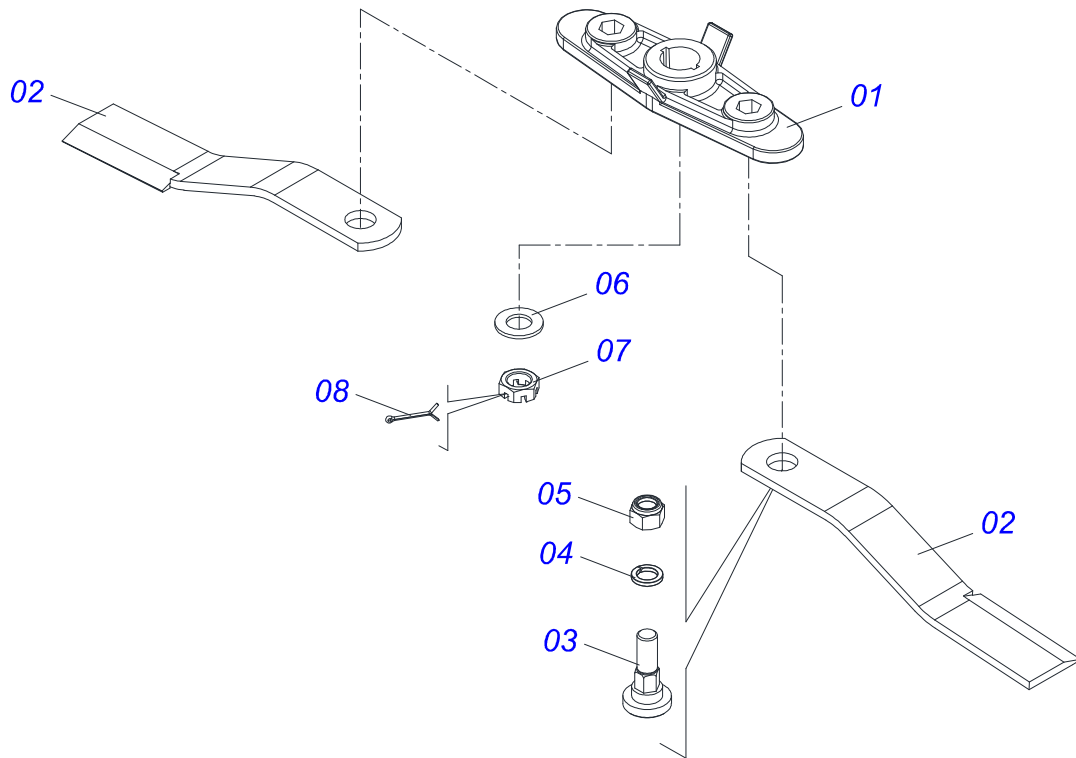
CIVEMASA RESERVES THE RIGHT AT ANY TIME TO MAKE IMPROVEMENTS IN THE DESIGN, MATERIAL OR SPECIFICATIONS OF MACHINERY, EQUIPMENT OR PARTS WITHOUT THEREBY BECOMING LIABLE TO MAKE SIMILAR CHANGES IN MACHINERY, EQUIPMENT OR PARTS PREVIOUSLY SOLD.



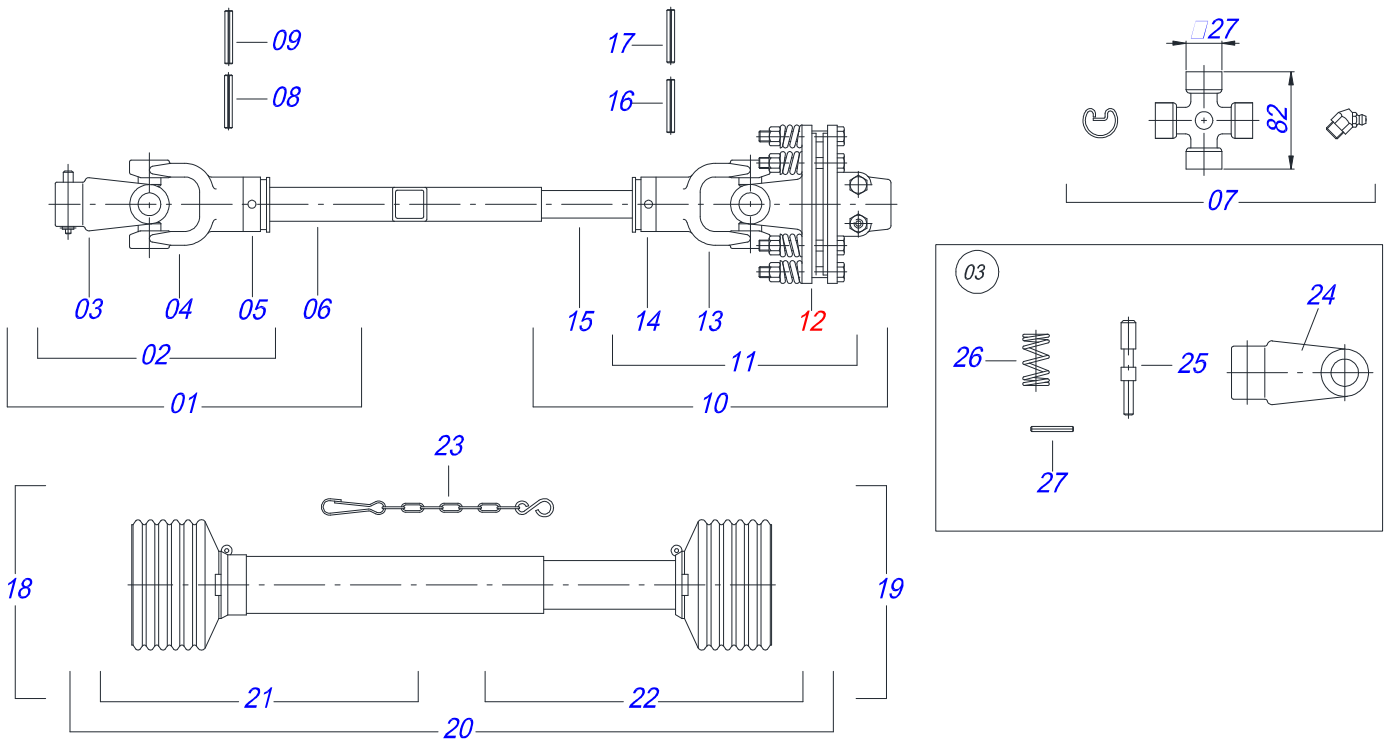
Item	Code	Description	QT
01	0521064704	FRAME	01
02	0511064760	930 SKID	02
03	0501014177	5/8" X 2-1/2" BOLT	04
04	1902010083	SQUARE WASHER	04
05	0503010027	5/8" SPRING WASHER	04
06	0503010013	5/8" NUT	04
07	0561011661	SKID GUIDE	02
08	0503012956	1/2" X 1-1/2" BOLT	06
09	0511017302	FLAT WASHER	06
10	0503010020	1/2" NUT	06
11	0511067766	DRAWBAR	01
12	0561011662	PIVOT FIXER TUBE	01
13	0551011714	COUPLING SHAFT	03
14	0503030168	HAIR PIN	05
15	0521060420	FRENCH HAND	01
16	0501017305	3/4" X 2-1/4" BOLT	01
17	0501010322	FLAT WASHER	02
18	0503010023	3/4" SPRING WASHER	07
19	0503010014	3/4" NUT	07
20	0501010216	3/4" X 4-1/2" BOLT	02
21	0561011699	SLEVE FIXATION	01
22	0521013311	RC2 1300 AXLE	02
23	0503031035	HAIR PIN	03
24	0501060330	PIVOT DOUBLE BAR	01
25	0521013938	HITCH AXLE	01
26	0521010443	1" SLEEVE	01
27	0501058820	SET WHEEL ASSY	01
27A	0511069419	DEPTH ARM FIXER	01
27B	0501010098	3/4" X 2" BOLT	04
27C	0511069421	REAR WHEELS FORK	01
27D	0501018535	1/2" X 1" BOLT	02
27E	0551018422	SLEEVE 38,5 X 61 X 25	02
27F	0502020106	WHEEL	01

FRAME

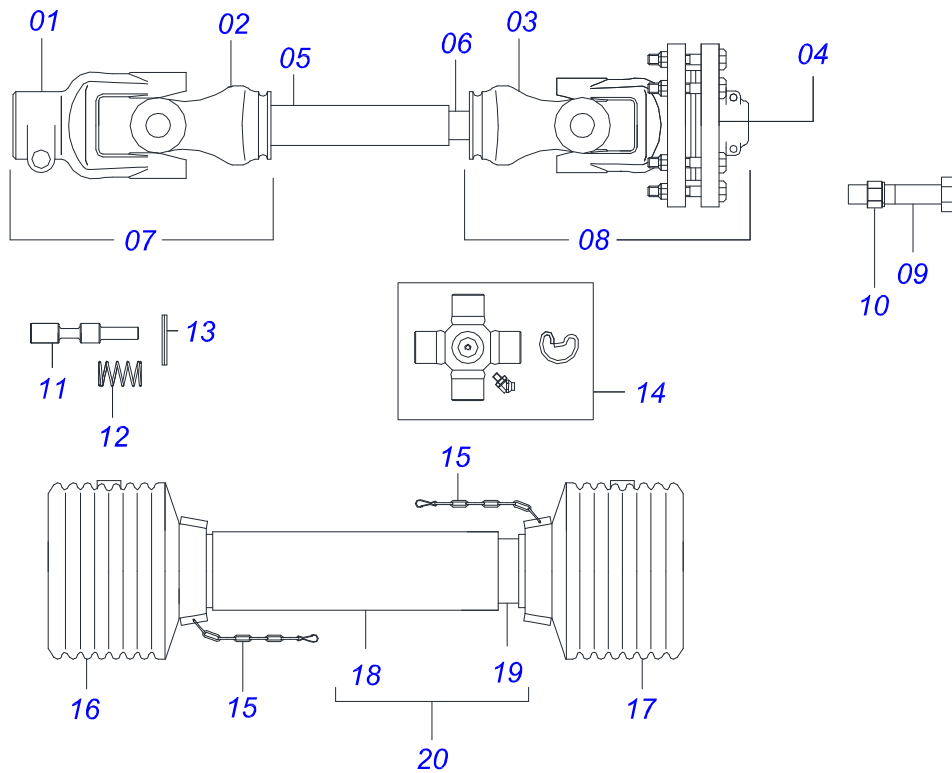
Item	Code	Description	QT
27G	0503011198	3/4" X 6" BOLT	01
27H	0503011255	3/4" LOCK NUT	01
27I	0503010002	GREASE FITTING	01
28	0501046851	MULTIPLIER	01
29	0503013390	3/4" UNC BOLT	04
30	0511069475	LH FIXER COVER	01
31	0511069476	RIGHT COVER FIXER	01
32	0531017832	PROTECTION COVER	01
33	0503010256	3/8" X 3/4" BOLT	04
34	0501010984	FLAT WASHER	04
35	0501047949	DRIVE SHAFT	01
36	0501110186	OIL SMALLER LEVEL INDICATOR	01
37	0501058161	CUTTER COMPLETE SUPPORT	01
38	0501010536	0.4" X 1.7" KEYWAY SQUARE	02
39	0511054731	CURRENT PROTECTION	01
39A	0501010942	3/8" X 1-1/4" BOLT	22
39B	0501011600	1/2" X 1-1/4" BOLT	11
39C	0503010019	1/2" SPRING WASHER	11
39D	0503010020	1/2" NUT	11
39E	0503010025	3/8" SPRING WHASHER	22
39F	0503010026	3/8" NUT	22
39G	0511017302	FLAT WASHER	11
39H	0511011774	8,00 CHAIN 4 LINK	86
39I	0571015427	CHAIN PROTECTION BODY	01
39J	0571015430	CLAW PROTECTION CHAIN	02
40	0511054751	CURRENT PROTECTION	03
40A	0571015267	CLAW PROTECTION CHAIN	03
40B	0571015268	CHAIN PROTECTION BODY	03



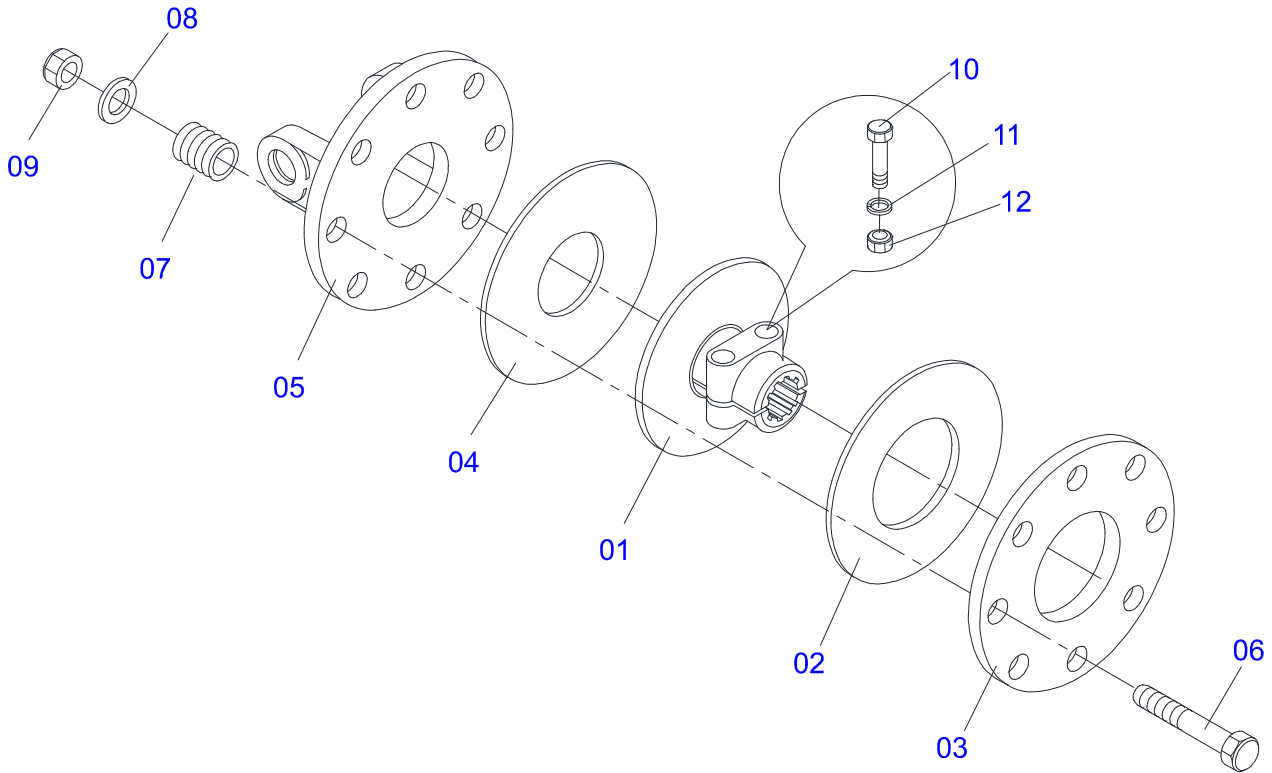
Item	Code	Description	QT
01	0502012508	FIXER SUPPORT CUTTERS	01
02	0622340091	ROTARY CUTTER CM 520 X 3" X 1/2" RC 1200L	02
03	0541013328	FASTERNER ROCADORES	02
04	0503011438	1" SPRING WASHER	02
05	0503010063	1" SELF-ALIGNING NUT	02
06	0501017779	FLAT WASHER	01
07	0503011052	1.1/4" X 0.77" CASTLE NUT	01
08	0503010067	3/16" X 2.1/2" COTTER PIN	01



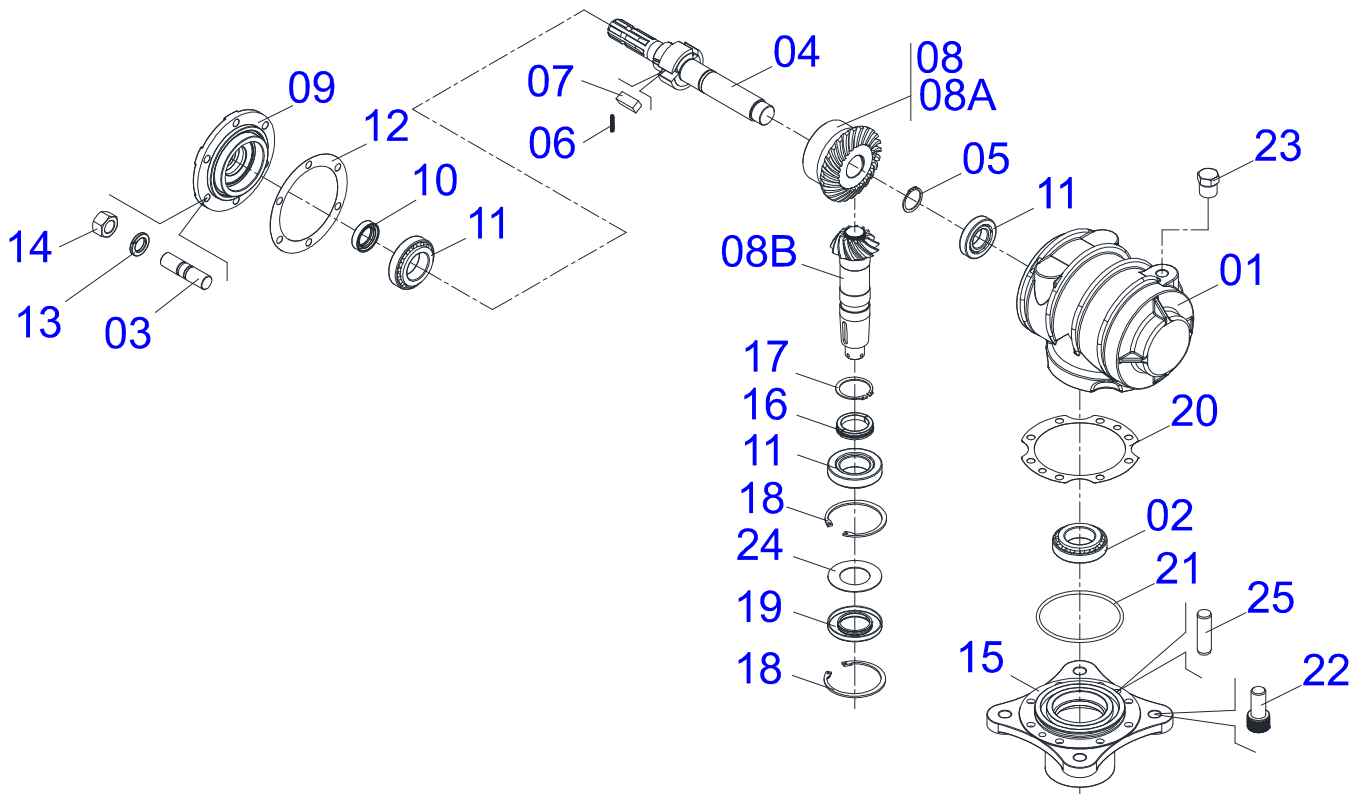
Item	Code	Description	QT
01	0501051715	UNIVERSAL JOINT	01
02	0501050265	UNIVERSAL JOINT	01
03	0501050333	1-40 TERMINAL WITH HITCH	01
04	0502010565	2-40 TERMINAL W/ SH 1.5"/1.5"	01
05	0503012069	ADAPTER FOR BUSHING PROTECT	01
06	0501017429	31" X 1.5" SQUARE SLEEVE	01
07	0503010836	CARDAN CROSSPIECE	02
08	0503011069	0.4" X 2.8" SPRING PIN	01
09	0503010510	0.2" X 2.6" SPRING PIN	01
10	0501051716	UNIVERSAL JOINT WITH SHAFT	01
11	0501050466	UNIVERSAL JOINT WITH CROSSPIECE	01
12	0501043660	FRICTION	01
13	0502010566	3-40 TERMINAL W/ SH 1.2"/1.2"	01
14	0503012070	ADAPTER FOR AXLE PROTECTION	01
15	0501017425	1.2" X 31.5" SQUARE SHAFT	01
16	0503010361	0.4" X 2.4" SPRING PIN	01
17	0503010756	0.2" X 2.4" SPRING PIN	01
18	0501051701	UNIVERSAL JOINT WITH SLEEVE/PROT	01
19	0501051702	UNIVERSAL JOINT WITH AXLE/PROT	01
20	0503012077	PROTECTION ASSY	01
21	0503012078	PROTECTION FOR UNIV JOINT AND SLEEV	01
22	0503012079	PROTECTION FOR UNIV JOINT AND AXLE	01
23	0503012023	CHAIN FOR UNIV JOINT PROTECTION	02
24	0502010563	1-40 STRIATED 1.3/8" TERMINAL	01
25	0521010638	0.5" X 3.3" QUIC HITCH COUPL SHAFT	01
26	0503030518	0.5"X1.0"X 0.1" COMPRESSION SPRING	01
27	0503010838	0.1" X 0.8" SPRING PIN	01



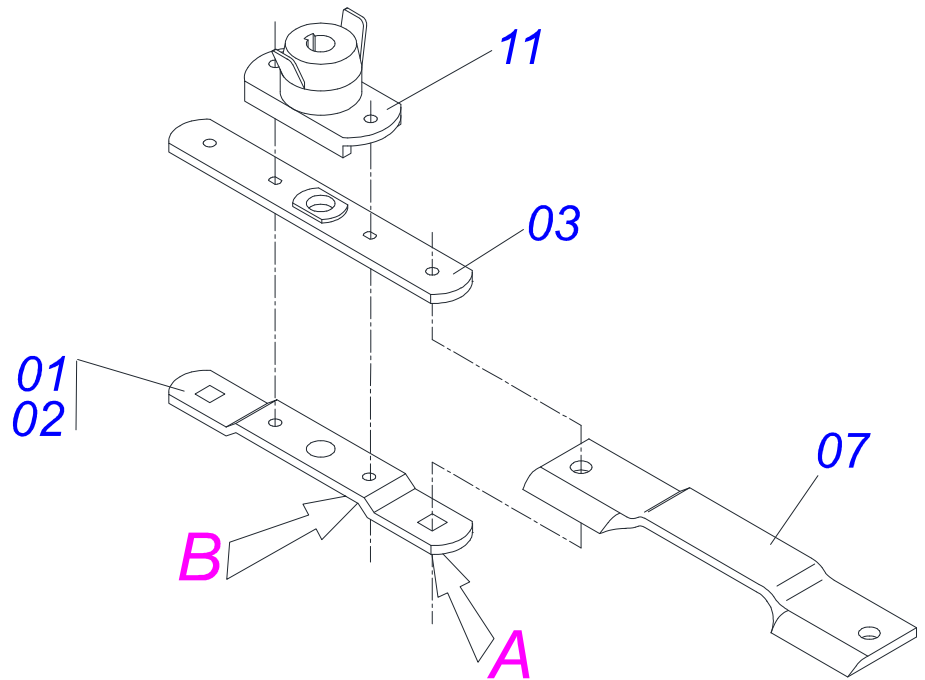
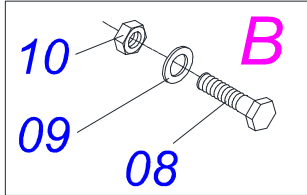
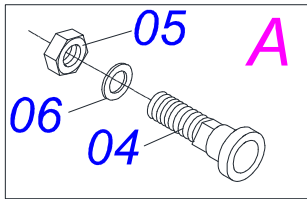
Item	Code	Description	QT
01	0503017647	TERMINAL	01
02	0503017648	TERMINAL	01
03	0503017649	TERMINAL	01
04	0503062339	FRICTION	01
05	0503017652	TUBE	01
06	0503017653	BAR	01
07	0503062340	JOINT	01
08	0503062341	JOINT	01
09	0503017645	HEXAGON BOLT	06
10	0503017646	NUT	06
11	0503017626	COUPLING SHAFT	01
12	0503017627	HITCH SPRING	01
13	0503017628	COTTERPIN	01
14	0503017644	CROSSPIECE	02
15	0503017631	CHAIN ASSY	01
16	0503017632	COVER	01
17	0503017633	COVER	01
18	0503017677	PLASTIC TUBE	01
19	0503017678	PLASTIC TUBE	01
20	0503062352	COMPLETE PROTECTION	01



Item	Code	Description	QT
01	0503011869	CENTRAL FLANGE	01
02	0503031478	OUTER FRICTION DISC	01
03	0503011870	REAR FLANGE	01
04	0503031474	INNER FRICTION DISC	01
05	0503011868	FRONT FLANGE	01
06	0503010752	1/2" X 3.1/2" BOLT	08
07	0503030630	1.02"X1.3"X0.2" COMPRESSION SPRING	08
08	0511017302	FLAT WASHER	08
09	0503011336	1/2" HEX SELF ADJUSTING NUT	08
10	0503010741	1/2" X 2-3/4" BOLT	02
11	0503010019	1/2" SPRING WASHER	02
12	0503010060	1/2" NUT	02



Item	Code	Description	
01	0502010984	LEFT MULTIPLIER BOX	01
02	0503010037	30207 ROLLER BEARING	01
03	0503030084	1/2" X 1/2" X 2.0" STUD	06
04	0503050063	UPPER AXLE	01
05	0503010217	501040 CLAMPING RING (FOR AXLE)	01
06	0503030051	0.2" X 1" X 0.1" COMPRESSION SPRING	06
07	0501010649	RATCHET CLICK	03
08	0503060210	CROWN PINION SET	01
08A	0503050074	25Z CONICAL GEAR	01
08B	0503061048	PINION	01
09	0502011152	SMALLER COVER	01
10	0503011171	00912-BRG SEAL	01
11	0503010006	32210 ROLLER BEARING	03
12	0503030783	7.1" X 5.3" X 0.008" JOINT	01
13	0503010019	1/2" SPRING WASHER	06
14	0503010028	1/2" NUT	06
15	0502011393	LOWER HUB	01
16	0511010142	LOCK RING	01
17	0503010396	501060 CLAMPING RING (FOR AXLE)	01
18	0503011190	502090 CLAMPING RING (FOR AXLE)	02
19	0503011047	5089 SEAL	01
20	0503030785	7.9" X 5.9" X 0.008" JOINT	01
21	0503010286	2-355 N 3006-9B O-RING	01
22	0503010562	1/2" X 1" BOLT	08
23	0503031604	1/2" BSP PLUG	01
24	0521018064	FLAT WASHER	01
25	0503017877	PIN GUIDE	02



Item	Code	Description	QT
01	0501056326	SUPPORT WITH ROTARY CUTTER BLADES	01
02	0561017368	ROTARY LOWER SUPPORT	01
03	0561017308	SUPPORT UPPER BASE	01
04	0511019000	BOLT	02
05	0503010812	7/8" UNF SELF ADJUSTING NUT	02
06	0503011447	7/8" SPRING WASHER	02
07	0622400057	21.6" X 3.94" X 0.5" ROTARY CUTTER	02
08	0503010901	3/4" X 3-1/2" BOLT	02
09	0503010023	3/4" SPRING WASHER	02
10	0503010014	3/4" NUT	02



email: civemasa@civemasa.com.br

www.civemasa.com.br

Phone: +55 16.3382.8222

Fax: +55 16.3382.8355

MARCHESAN IMPLEMENTOS E MÁQUINAS AGRÍCOLAS "TATU" S.A.

Av. Marchesan, 1979 - Post Office box, 131 - Cep 15994-900 - Matão - Sp - Brasil

CNPJ 52.311.289/0001-63 | Inst. Est.441.000.151.114

Drafting and Illustration = GASPARI
e.mail = jgaspari@marchesan.com.br

ORIGINAIS PARTS
CIVEMASA

The Civemasa logo, identical to the one at the top of the page, is positioned at the bottom right of the page. It features the word "civemasa" in a bold, italicized, lowercase sans-serif font, with a green and orange graphic element above the letters "i", "e", and "a".