

PARTS CATALOGUE

HOIST MOUNTED TYPE

GCAG RO 2000

Code: 0501091610



Series: S-0114

Review: ABRIL/2016

**ORIGINAL PARTS
CIVEMASA**

civemasa

PRODUCTS

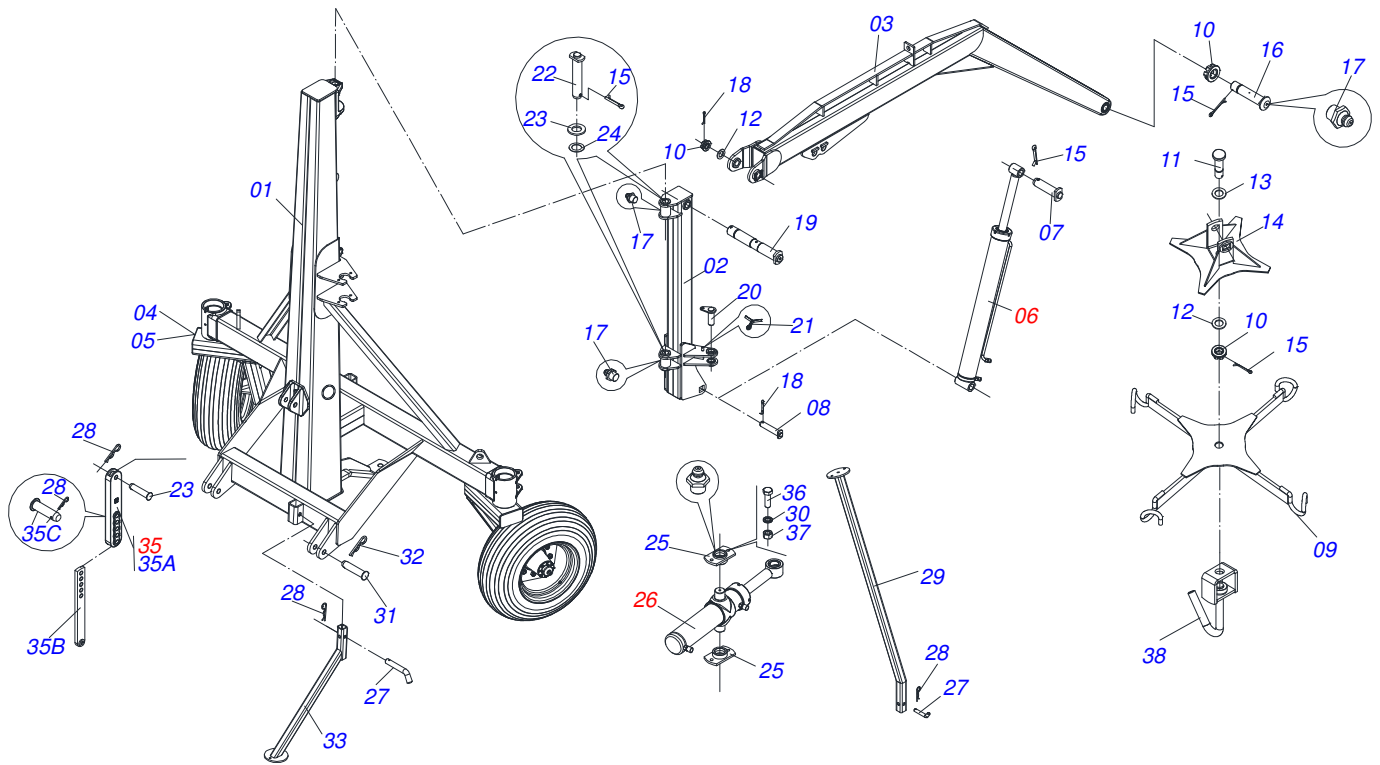
Code	Description
0121380012	GCAG RO 2000 C/PN VALV SEG S-0114
0121380013	GCAG RO 2000 S/PN C/VALV SEG S-0114
0121380015	GCAG RO 2000 C/RODA S/PN VALV SEG S-0114

ATTENTION: **IMPORTANT**

CIVEMASA RESERVES THE RIGHT AT ANY TIME TO MAKE IMPROVEMENTS IN THE DESIGN, MATERIAL OR SPECIFICATIONS OF MACHINERY, EQUIPMENT OR PARTS WITHOUT THEREBY BECOMING LIABLE TO MAKE SIMILAR CHANGES IN MACHINERY, EQUIPMENT OR PARTS PREVIOUSLY SOLD.

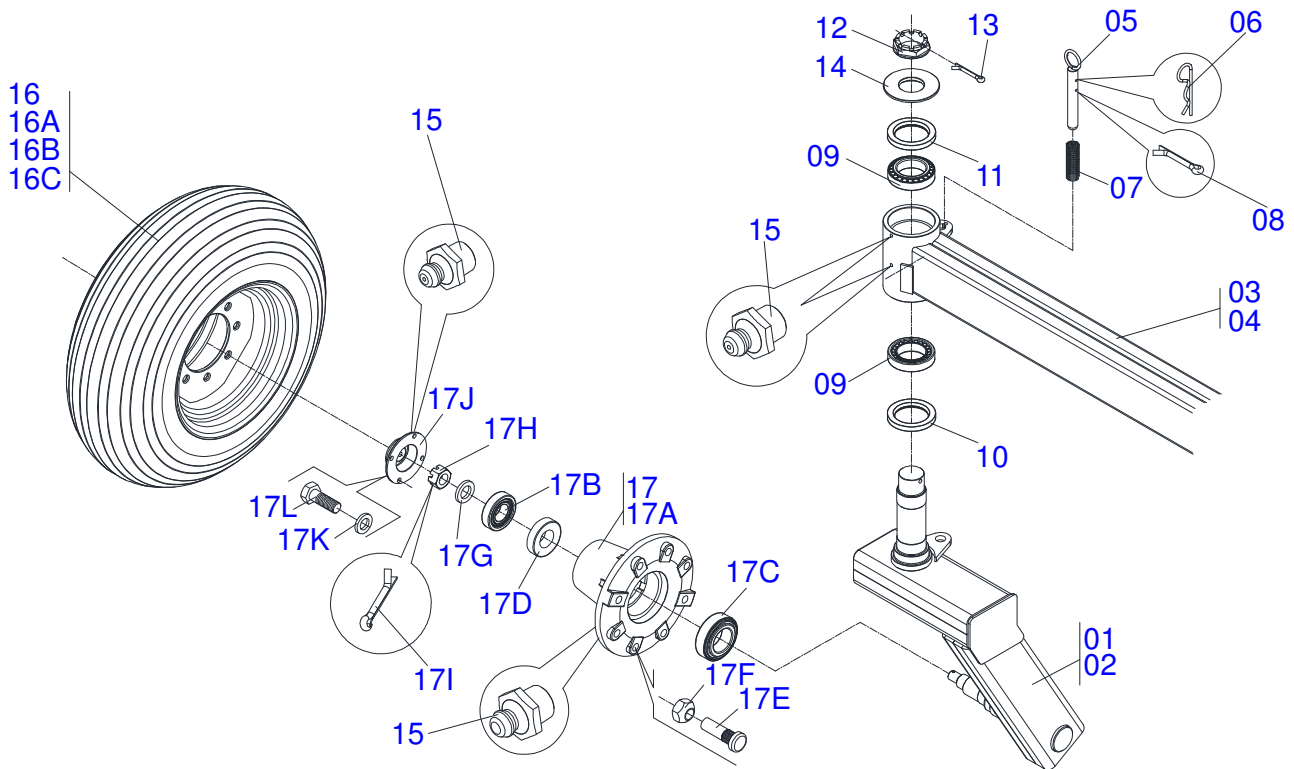
INDEX

0909090928	GCAG RO 2000	1
0909090933	CARRYING-WHEELS ARM ASSY	2
0909093252	HYDRAULIC CIRCUIT	3
0511058407	HYDRAULIC CYLINDER	4
0511058445	HYDRAULIC CYLINDER	5
0503060244	RODA C/ PNEU11L-15 10L 8F COMP GCRO	6

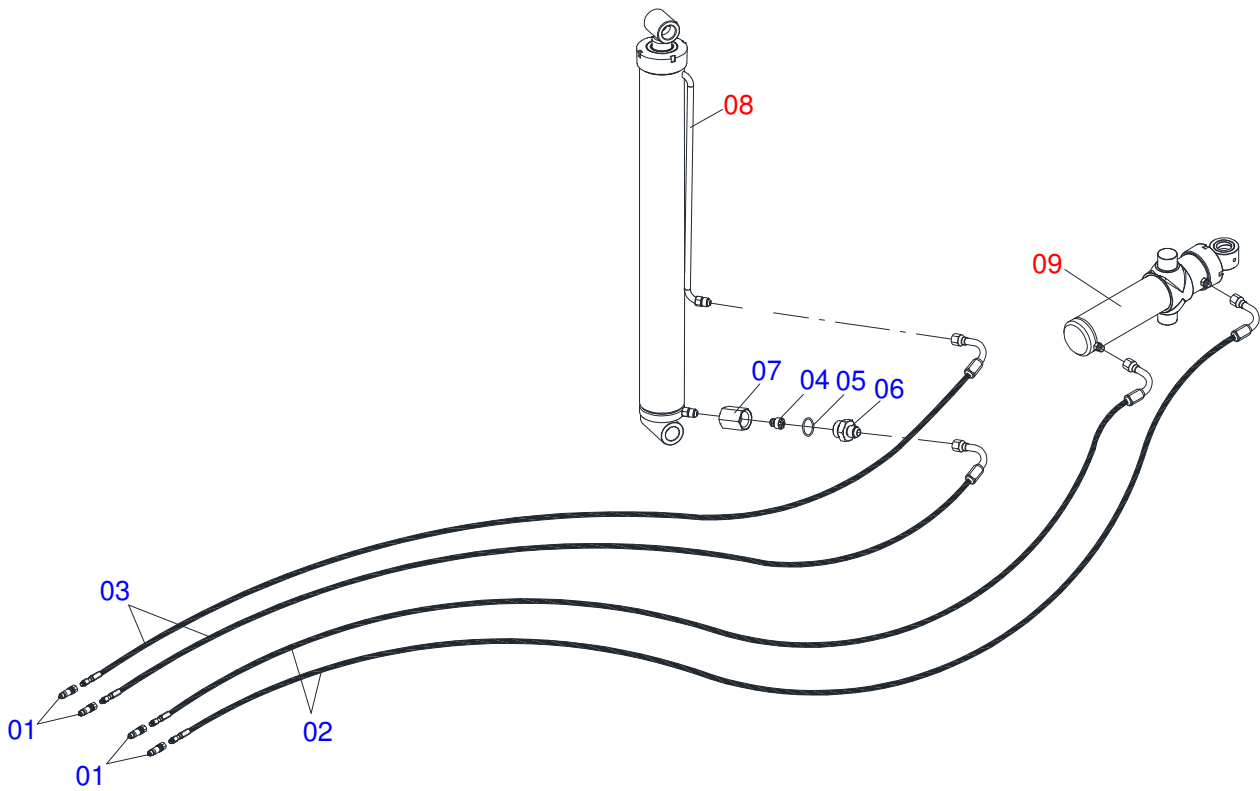


Item	Code	Description	QT
01	0521062374	TOWER	01
02	0521061767	SWIVEL TOWER	01
03	0521060226	CHARGING BAR	01
04	0511054563	RH WHEEL ARM	01
05	0511054564	LH WHEEL ARM	01
06	0511058407	HYDRAULIC CYLINDER	01
07	0521063226	COUPLING SHAFT	01
08	0521063227	COUPLING SHAFT	01
09	0521060235	CROSSPIECE	01
10	0501011301	1.1/2 UNC 6FPP 2.5/16 NUT	03
11	0581011022	COUPLING SHAFT	01
12	0501012916	FLAT WASHER 38,50 X 66 X 4,75 ZN	02
13	0501012916	FLAT WASHER 38,50 X 66 X 4,75 ZN	01
14	0521060317	U COUPLING FOR CROSSPIECE	01
15	0503010073	3/8 X 3-1/2 COTTERPIN	06
16	0521012828	1.5" X 6.8" PIVOT SHAFT	01
17	0503010002	1800 GREASE FITTING	09
18	0503010073	3/8 X 3-1/2 COTTERPIN	03
19	0521062101	PIVOT SHAFT	01
20	0521062127	PIVOT SHAFT	01
21	0503010257	1/8" X 1" COTTERPIN	01
22	0521063228	COUPLING SHAFT	02
23	0551012215	FLAT WASHER	02
24	0511019685	FLAT WASHER	02
25	0511061810	HYDRAULIC CYLINDER FRANGE	02
26	0511058445	HYDRAULIC CYLINDER	01
27	0501011075	PIN	02
28	0503030012	HAIR PIN	02
29	0521064328	PLOUGH SUPPORT	01
30	0503010019	1/2" SPRING WASHER	04
31	0521010596	COUPLING SHAFT	02
32	0503031035	HAIR PIN	03
33	0521060304	PLOUGH SUPPORT FRONT	01

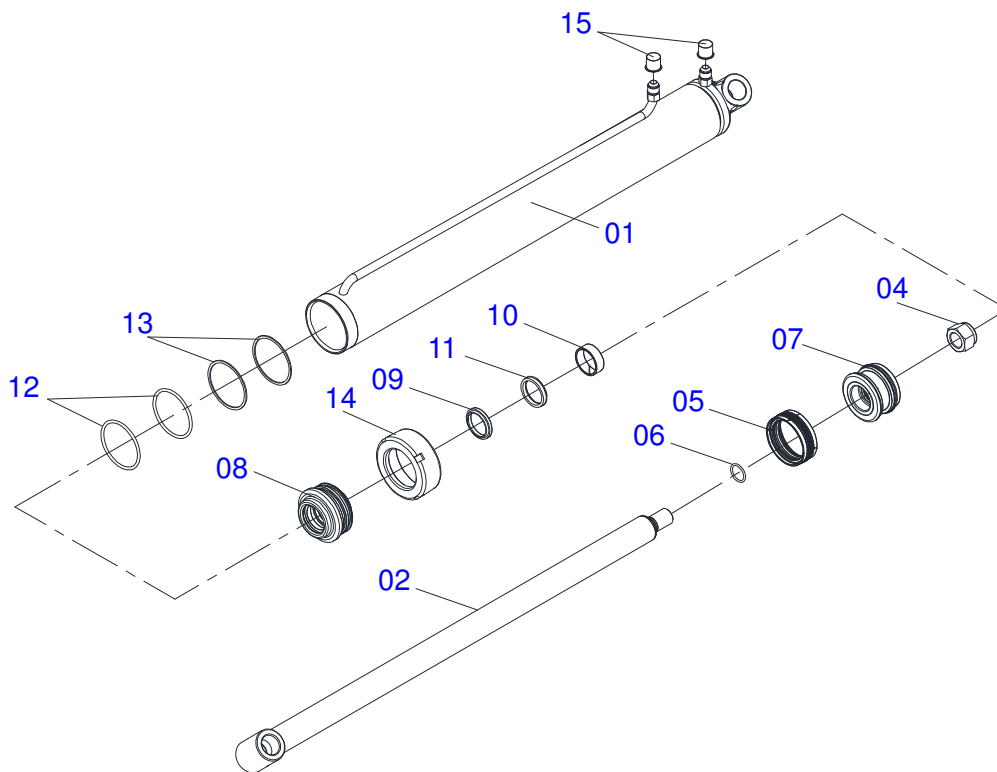
Item	Code	Description	QT
34	0521010579	COUPLING SHAFT	01
35	0521040658	ADJUSTMENT BAR	01
35A	0502012380	3P ADJUSTMENT BAR GUIDES	01
35B	0511065014	ADJUSTMENT BAR	01
35C	0521010575	C0.9" X 3.3" COUPLING SHAFT	01
36	0503010920	1/2" X 1.1/2" BOLT	04
37	0503010060	1/2" NUT	04
38	0521066708	HOOK HITCH	01



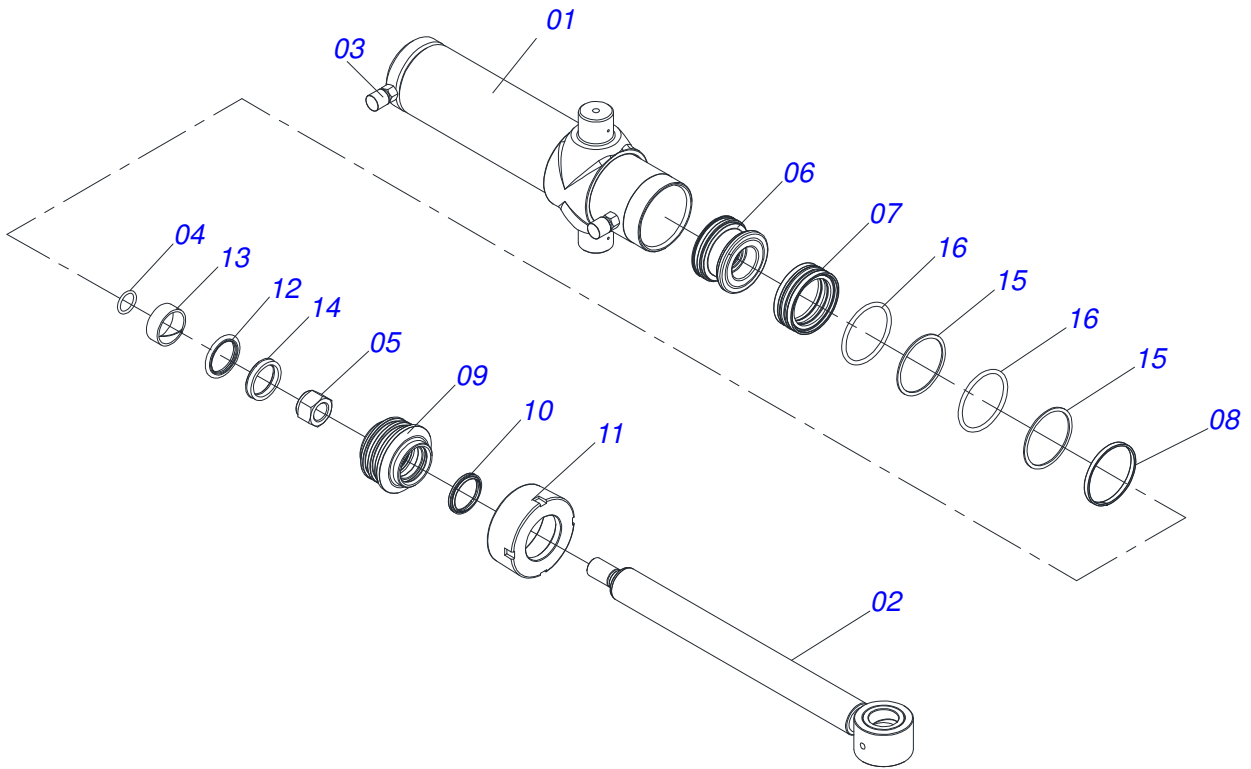
Item	Code	Description	QT
01	0521060221	RIGHT CARRYING-WHEELS SUPPORT	01
02	0521060219	LEFT CARRYING-WHEELS SUPPORT	01
03	0521060211	RIGHT ARM	01
04	0521060212	LEFT ARM	01
05	0521064320	LOCK PIN	02
06	0503030012	HAIR PIN	02
07	0503030978	COMPRES SPRING	02
08	0503010131	3/16" X 1-1/2" COTTERPIN	02
09	0503010059	33287/33462 ROLLER BEARING	02
10	0503010050	SEAL 00085-B	02
11	0503012314	2-248 1G05195 O'RING	01
12	0502040080	2.1/2" UM FLANGE NUT	01
13	0503010073	3/8 X 3-1/2 COTTERPIN	01
14	0541016926	HUB COVER	01
15	0503010002	1800 GREASE FITTING	04
16	0503060244	RODA C/ PNEU11L-15 10L 8F COMP GCRO	02
16A	0503012108	RODA 10 LB X 15 X 8F X 203 GCRO	02
16B	0503010860	CAMARA AR 11L 15	01
16C	0503010858	CANVAS TIRE	01
17	0501058791	STUB SHAFT & HUB ASSY	01
17A	0502012260	CAIXA RODADO TRANSPORTE GCRO 2240	01
17B	0503010008	ROLAMENTO 3780/37203	01
17C	0503011156	ROLAMENTO 2780/2720 IMP	01
17D	0503013314	RETENTOR 5166-GB 63,5 X 110 X 13 ARCA	01
17E	0501010186	PARAFUSO ROD 5/8UNF X 2.1/8CR	08
17F	0503010064	5/8 UNF CONIC NUT	08
17G	0511012492	ARRUELA LISA 28 X 46 X 6,30	01
17H	0503030009	1" CASTLE NUT	01
17I	0503010018	5/32 X 1-1/2 COTTERPIN	01
17J	0502020591	PROTECCION COVER	01
17K	0503011444	SPRING WASHER	04
17L	0503010358	5/16" X 5/8" BOLT	04



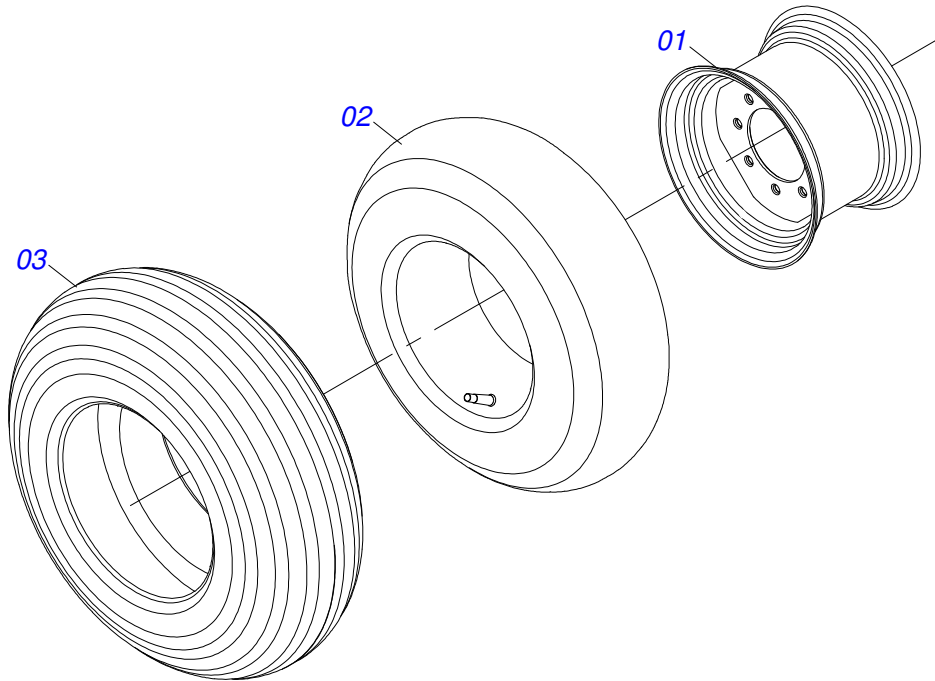
Item	Code	Description	QT
01	0501053834	QUICK CONECTION (MALE) 1/2	04
02	0501081417	3/8 X 2500 TC- TM HOSE	02
03	0501080097	1/2" X 98" TC-TM HOSE ASSY	02
04	0503016854	VALVE ASSY	01
05	0503013467	2123 29,82X2,62 O'RING	01
06	0571014683	NIPLE	01
07	0571014684	FIXER ADAPTER	01
08	0511058407	HYDRAULIC CYLINDER	01
09	0511058445	HYDRAULIC CYLINDER	01



Item	Code	Description	QT
001	0521061768	101,6 X 1056 CYLINDER CASE	01
002	0521061769	50,8 X 1088 ROD	01
003	0503010002	1800 GREASE FITTING	02
004	0503010817	1-1/4" SELF-ADJUSTING NUT	01
005	0503015633	SELEMASTER SEALING	01
006	0503010345	2-218 N 3006-9B O-RING	01
007	0502012842	50,80 X 101,60 PISTON	01
008	0581010678	50,80 X 101 RING SUPPORT	01
009	0503015636	SCRAPER SEAL	01
010	0503018025	RING GUIDE	01
011	0503018026	1870-2000-375 B GASKET	01
012	0503010338	2-342 N 3006-9B O-RING	02
013	0503011061	8-342 BACK-UP RING	02
014	0502012822	101,60 MOBILE COVER	01
015	0503030387	PLUG	02



Item	Code	Description	QT
001	0521061771	CYLINDER CASE	01
002	0521061770	44.45 X 517 ROD	01
003	0503030385	PLUG	02
004	0503010042	2-214 N 3006-9B O-RING	01
005	0503010063	1" SELF-ALIGNING NUT	01
006	0571019710	1.7" X 3.4" PISTON	01
007	0503017935	RING	01
008	0503018144	RING	01
009	0571019711	RING SUPPORT	01
010	0503010761	D-1750 SCRAPER RING	01
011	0571019709	DETACHABLE COVER	01
012	0503017936	RING	01
013	0503017938	RING GUIDE	01
014	0503017937	GASKET	01
015	0503017940	8-337 BACK-UP RING	02
016	0503017939	2-337 N 3006-9B O' RING	02
017	0503010002	1800 GREASE FITTING	01



Item	Code	Description	QT
01	0503012108	RODA 10 LB X 15 X 8F X 203 GCRO	01
02	0503010860	CAMARA AR 11L 15	01
03	0503010858	CANVAS TIRE	01



email: civemasa@civemasa.com.br

www.civemasa.com.br

Phone: +55 16.3382.8222

Fax: +55 16.3382.8355

MARCHESAN IMPLEMENTOS E MÁQUINAS AGRÍCOLAS "TATU" S.A.

Av. Marchesan, 1979 - Post Office box, 131 - Cep 15994-900 - Matão - Sp - Brasil

CNPJ 52.311.289/0001-63 | Inst. Est.441.000.151.114

Technical Publications: Elaboration

MARINA PEREZ NIZA

Technical Publications: Revision

ALESSANDRA PATRICIA KAWAHARA CARRILI

Contact Catálogo:

E-mail = jgaspari@marchesan.com.br

**ORIGINAIS PARTS
CIVEMASA**

