

**HOIST MOUNTED TYPE**

## GCAG 2000

**Code:** 0501091609  
**Series:** S-0114  
**Revision:** 00  
**Revision Date:** MARÇO/2016

# PARTS CATALOGUE


***CIVEMASA***

# PRODUCTS

<b>Code</b>	<b>Description</b>
0121380011	GCAG 2000 C/PN VALV SEG S-0114

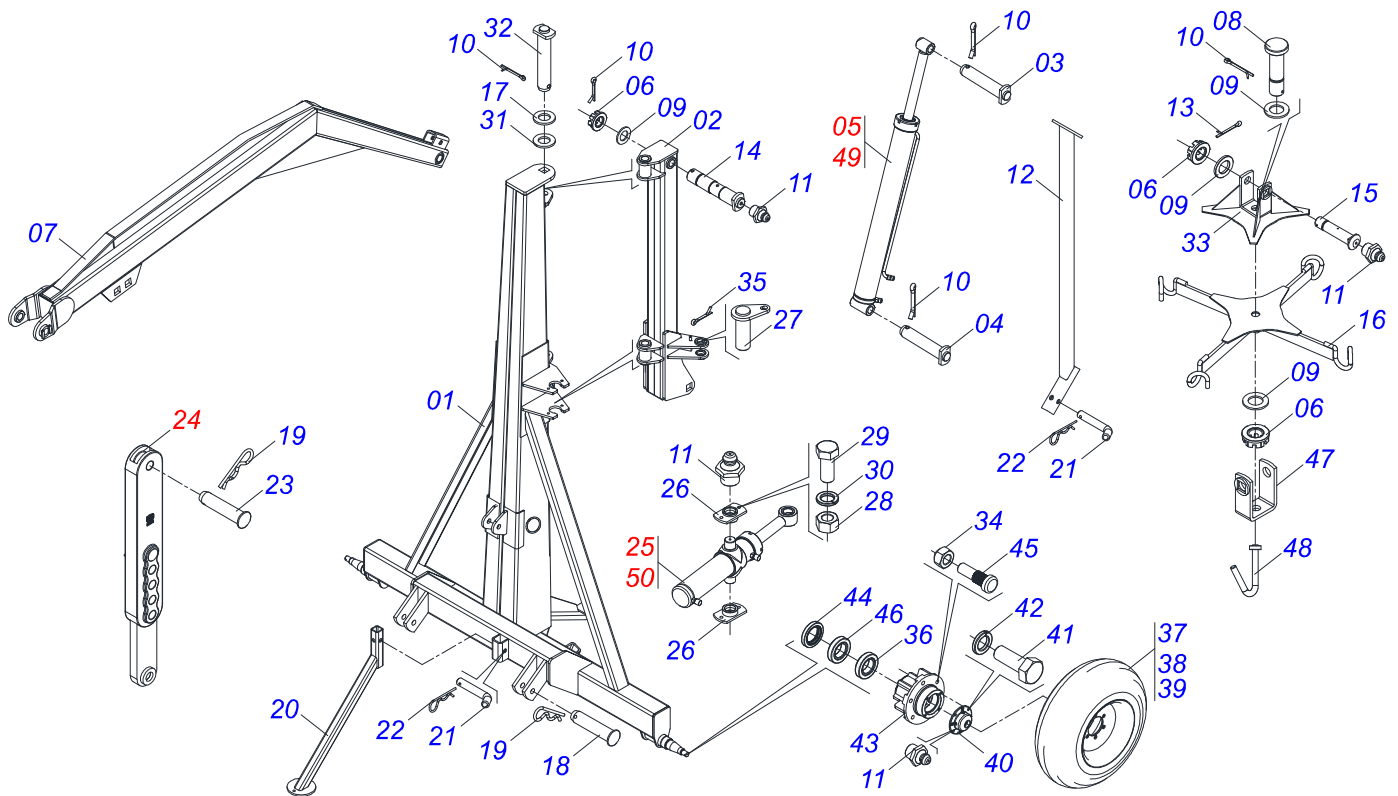
## **ATTENTION: IMPORTANT**

CIVEMASA reserves the right to improve and/or modify the technical features of its products, without obligation to do the same with those products already sold and without prior knowledge of the dealer or the customer. The photos are only illustrative.



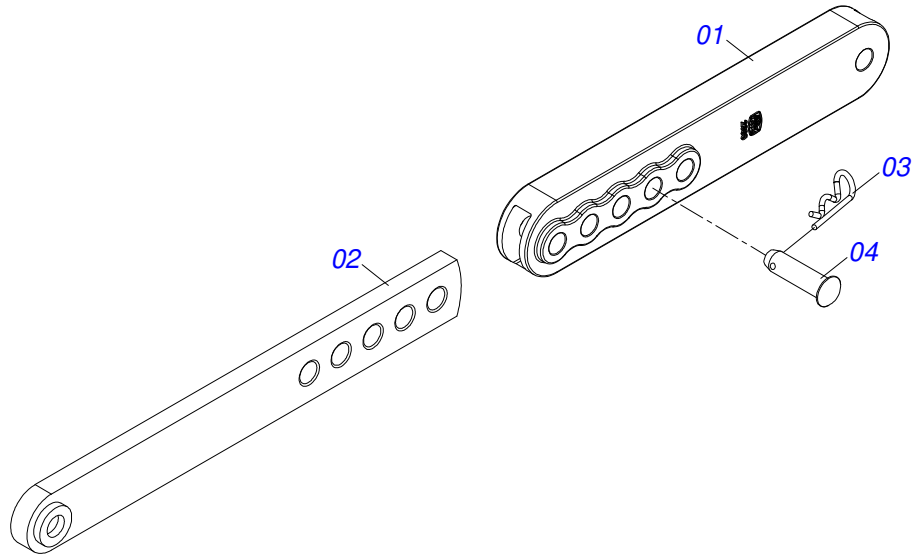
# INDEX

0909092227	GCAG 2000	.....	1
0521040658	ADJUSTMENT BAR	.....	2
0909093252	HYDRAULIC CIRCUIT	.....	3
0501053834	MALE QUICK COUPLER	.....	4
0511048829	HYDRAULIC CYLINDER 44,45 X 85,7 X 205 X 322	.....	5
0511048828	HYDRAULIC CYLINDER 50,8 X 101,6 X 1140 X 882	.....	6
0511058407	HYDRAULIC CYLINDER 50,8X101,6X1139X883	.....	7
0511058445	HYDRAULIC CYLINDER 44,45X85,7X205X322	.....	8

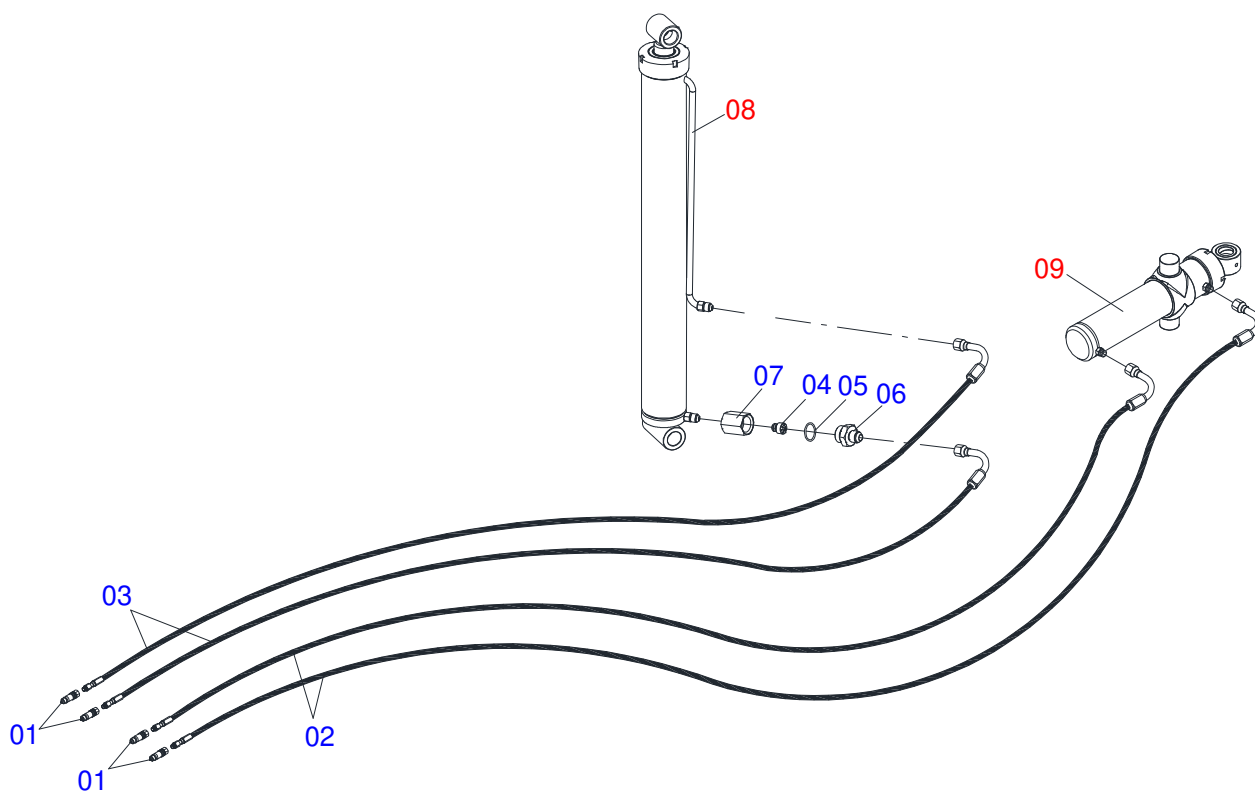


Item	Code	Description	See page	QT
01	0521062837	TOWER		01
02	0521061767	TURNING TOWER		01
03	0521063226	COUPLING SHAFT		01
04	0521063227	COUPLING SHAFT		01
05	0511048828	HYDRAULIC CYLINDER 50,8 X 101,6 X 1140 X 882	6	01
06	0501011301	1.1/2 UNC 6FPP 2.5/16 NUT		03
07	0521060226	CHARGING BAR		01
08	0521010555	1-1/2" X 5.5" COUPLING SHAFT		01
09	0501012916	FLAT WASHER 40 X 66 X 4,75 ZN		02
10	0503010073	3/8" X 3.1/2" SPLIT PIN		04
11	0503010002	1800 GREASE FITTING		07
12	0521064328	PLOUGH SUPPORT		01
13	0503010010	1/4" X 2.1/2" SPLIT PIN		03
14	0521062101	PIVOT SHAFT 38,10 X 251		01
15	0521012828	1.5" X 6.8" PIVOT SHAFT		01
16	0521060235	CROSSPIECE		01
17	0551012215	FLAT WASHER		02
18	0521010596	COUPLING SHAFT		02
19	0503031035	HITCH PIN CLIP		03
20	0521060304	PLOUGH SUPPORT FRONT		01
21	0501011075	PIN		02
22	0503030012	HITCH PIN CLIP		02
23	0521010579	COUPLING SHAFT		01
24	0521040658	ADJUSTMENT BAR	2	01
25	0511048829	HYDRAULIC CYLINDER 44,45 X 85,7 X 205 X 322	5	01
26	0511061810	HYDRAULIC CYLINDER FIXING FLANGE		02
27	0521062127	PIVOT SHAFT		01
28	0503010060	1/2 UNC G.5 ZN HEX NUT		04
29	0503010920	1/2 UNC X 1.1/2 C S G.5 ZN BOLT		04
30	0503010019	1/2" SPRING WASHER		04
31	0511019685	FLAT WASHER		02

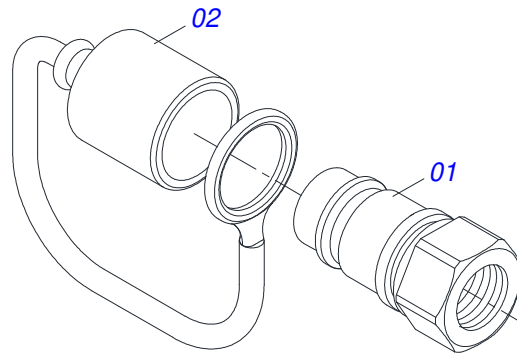
Item	Code	Description	See page	QT
32	0521063228	COUPLING SHAFT		02
33	0521060317	U COUPLING FOR CROSSPIECE		01
34	0503010035	9/16" CONIC NUT		12
35	0503010257	1/8" X 1" SPLIT PIN		01
36	0503010006	32210 ROLLER BEARING		02
37	0503011468	WEEL		02
38	0503010858	CANVAS TIRE		02
39	0503010860	AIR CHAMBER 11L 15		02
40	0502020591	PROTECCION COVER		02
41	0503010358	5/16" X 5/8" BOLT		08
42	0503010179	LOCK WASHER 5/16 ZN 1K01528		08
43	0501110728	WHEEL HUB		02
44	0503012928	SEAL		02
45	0501010127	9/16" X 1-7/8" LUG BOLT		12
46	0503010037	30207 ROLLER BEARING		01
47	0501069721	U COUPLING FOR CROSSPIECE		01
48	0501064475	1-1/4" HOOK		01
49	0511058407	HYDRAULIC CYLINDER 50,8X101,6X1139X883	7	01
50	0511058445	HYDRAULIC CYLINDER 44,45X85,7X205X322	8	01



Item	Code	Description	See page	QT
001	1902012380	3P ADJUSTMENT BAR GUIDES		01
002	0511065014	ADJUSTMENT BAR		01
003	0503031035	HITCH PIN CLIP		01
004	0521010575	C0.9" X 3.3" COUPLING SHAFT		01

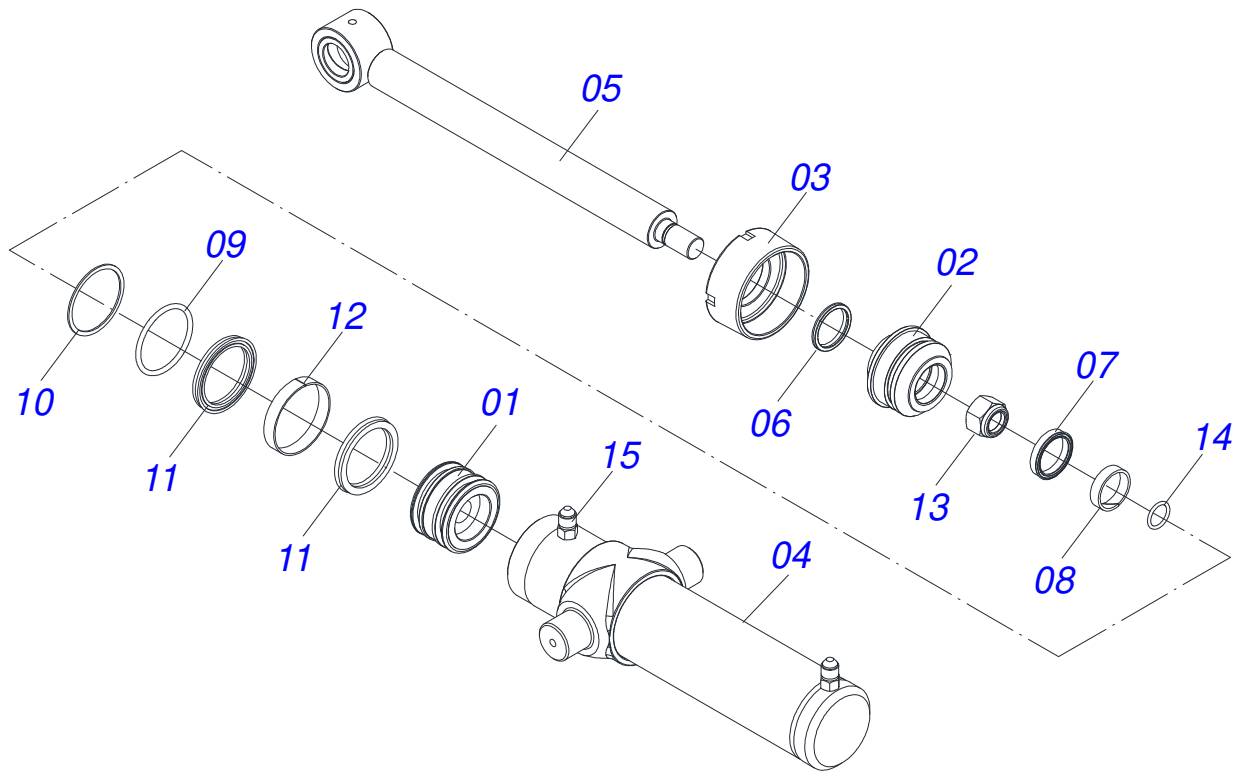


Item	Code	Description	See page	QT
01	0501053834	MALE QUICK COUPLER	4	04
02	0501081417	3/8 X 2500 TC- TM HOSE		02
03	0501080097	HOSE 1/2 X 2500 TC-TM		02
04	0503016854	SAFETY VALVE		01
05	0503013467	2123 29,82X2,62 O'RING		01
06	0571014683	NIPLE		01
07	0571014684	FIXER ADAPTER		01
08	0511058407	HYDRAULIC CYLINDER 50,8X101,6X1139X883	7	01
09	0511058445	HYDRAULIC CYLINDER 44,45X85,7X205X322	8	01

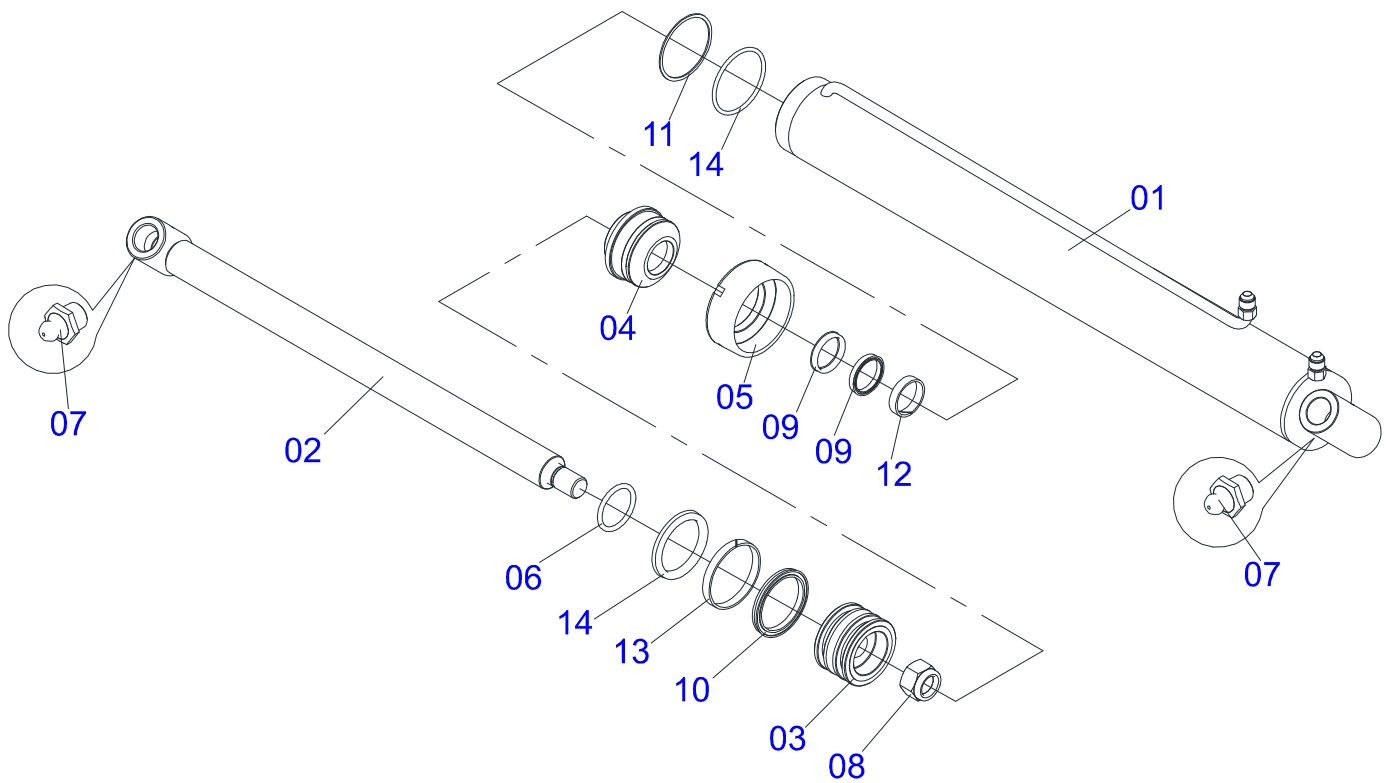


Item	Code	Description	See page	QT
01	0503011627	MALE QUICK COUPLER AGR 1/2 NPT		01
02	0503011882	MALE QUICK COUPLER CAP		01

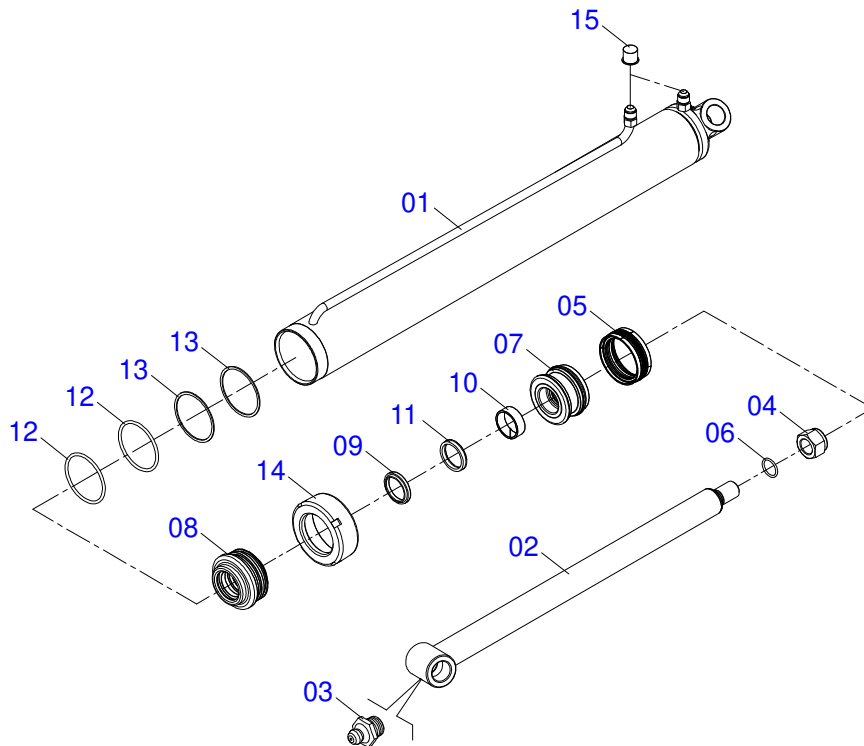




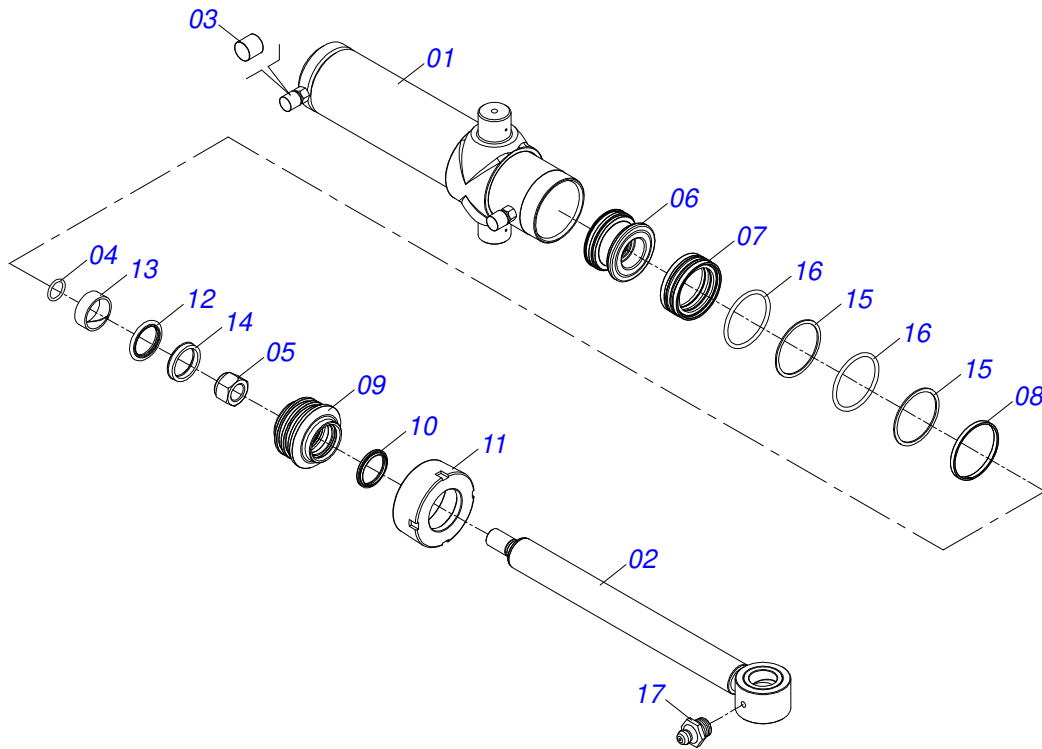
Item	Code	Description	See page	QT
01	0502010843	1.8" X 3.4" PISTON		01
02	0502010781	RING SUPPORT		01
03	0502010993	MOBILE LID		01
04	0521061771	CYLINDER CASE		01
05	0521061770	44,45 X 517 ROD		01
06	0503010761	D-1750 SCRAPER RING		01
07	0521061770	44,45 X 517 ROD		01
08	0503010949	W2-2000-500 PK RING G.E		01
09	0503010976	2-336 N 3006-9B O'RING		01
10	0503011060	8-336 BACK-UP RING		01
11	0503010170	PACKING 3120 2750		01
12	0503010948	W4-3346-590 PK RING G.E		01
13	0503010063	1" SELF-ALIGNING NUT		01
14	0503010042	2-214 N 3006-9B O'RING		01
15	0503030385	CYLINDER PLUG N-002		02



Item	Code	Description	See page	QT
01	0521061768	101,6 X 1056 CYLINDER CASE		01
02	0521061769	50,8 X 1088 ROD		01
03	0502010992	2.0" X 4.0" PISTON		01
04	0502010778	2" X 4.2" RING SUPPORT		01
05	0502010017	4" LID		01
06	0503010345	2-218 N 3006-9B O'RING		01
07	0503010002	1800 GREASE FITTING		02
08	0503010817	1.1/4" SELF LOCKING NUT		01
09	0503010991	1870-2000-375-B GASKET		02
10	0503010043	PACKING 3750-3250		02
11	0503011061	8-342 BACK-UP RING		01
12	0503010952	W2-2250-500 RING		01
13	0503010994	W2-4000-500 PK RING G.E		01
14	0503010338	2-342 N 3006-9B O'RING		01



Item	Code	Description	See page	QT
001	0521061768	101,6 X 1056 CYLINDER CASE		01
002	0521061769	50,8 X 1088 ROD		01
003	0503010002	1800 GREASE FITTING		02
004	0503010817	1.1/4" SELF LOCKING NUT		01
005	0503015633	SELEMASTER SEALING		01
006	0503010345	2-218 N 3006-9B O'RING		01
007	0502012842	50,80 X 101,60 PISTON		01
008	0581010678	50,80 X 101 RING SUPPORT		01
009	0503015636	SCRAPER SEAL		01
010	0503018025	RING GUIDE		01
011	0503018026	1870-2000-375 B GASKET		01
012	0503010338	2-342 N 3006-9B O'RING		02
013	0503011061	8-342 BACK-UP RING		02
014	0502012822	101.60 END CAP		01
015	0503030387	PLUG		02



Item	Code	Description	See page	QT
001	0521061771	CYLINDER CASE		01
002	0521061770	44,45 X 517 ROD		01
003	0503030385	CYLINDER PLUG N-002		02
004	0503010042	2-214 N 3006-9B O'RING		01
005	0503010063	1" SELF-ALIGNING NUT		01
006	0571019710	1.7" X 3.4" PISTON		01
007	0503017935	RING		01
008	0503018144	RING		01
009	0571019711	RING SUPPORT		01
010	0503010761	D-1750 SCRAPER RING		01
011	0571019709	DETACHABLE COVER		01
012	0503017936	RING		01
013	0503017938	RING GUIDE		01
014	0503017937	GASKET		01
015	0503017940	8-337 BACK-UP RING		02
016	0503017939	2-337 N 3006-9B O' RING		02
017	0503010002	1800 GREASE FITTING		01





***civemasa***

**Technical Publications | Elaboration and Revision**

MARINA PEREZ NIZA

[www.civemasa.com.br](http://www.civemasa.com.br)

