

PARTS CATALOGUE

HOIST MOUNTED TYPE

GCAG LD

Code: 0501091608



Series: S-0114

Review: MARÇO/2016

**ORIGINAL PARTS
CIVEMASA**

civemasa

PRODUCTS

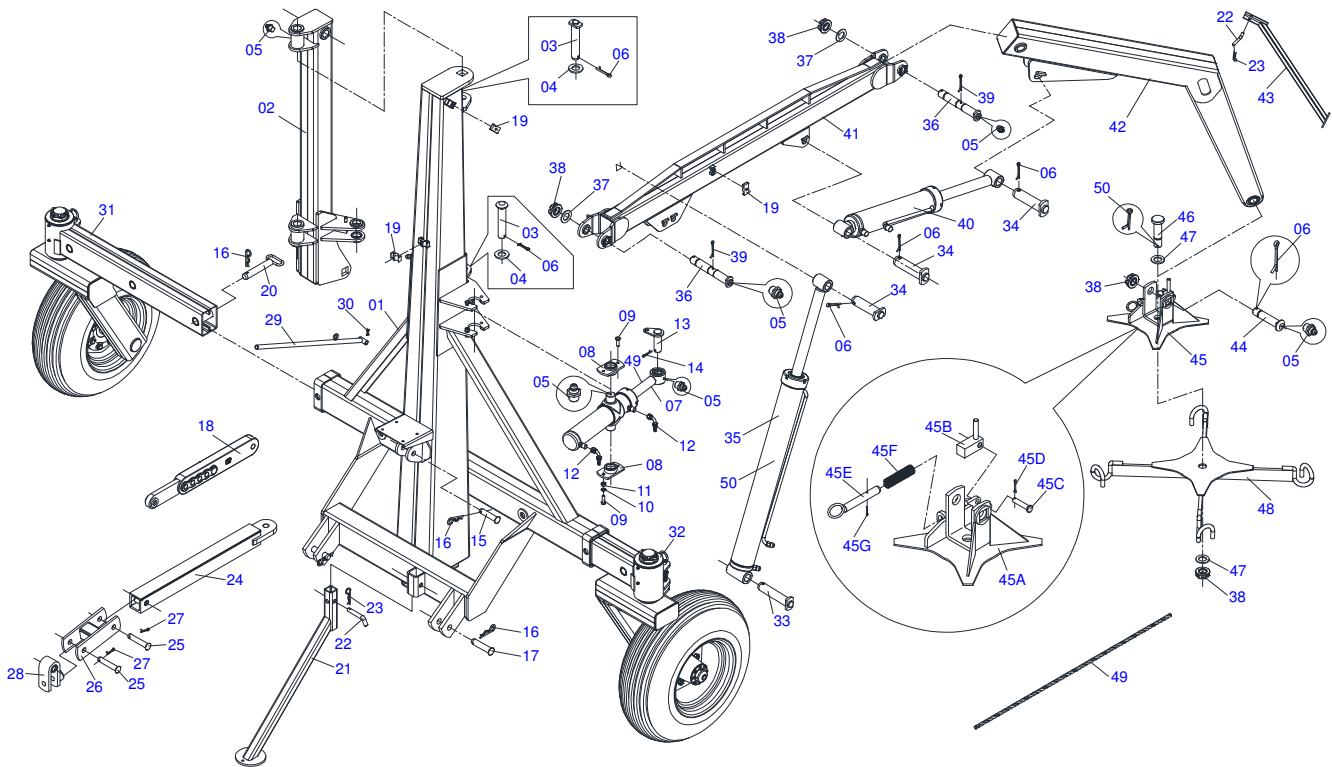
Code	Description
0121380010	GCAG LD C/PN VALV SEG S-0114

ATTENTION: *IMPORTANT*

CIVEMASA RESERVES THE RIGHT AT ANY TIME TO MAKE IMPROVEMENTS IN THE DESIGN, MATERIAL OR SPECIFICATIONS OF MACHINERY, EQUIPMENT OR PARTS WITHOUT THEREBY BECOMING LIABLE TO MAKE SIMILAR CHANGES IN MACHINERY, EQUIPMENT OR PARTS PREVIOUSLY SOLD.

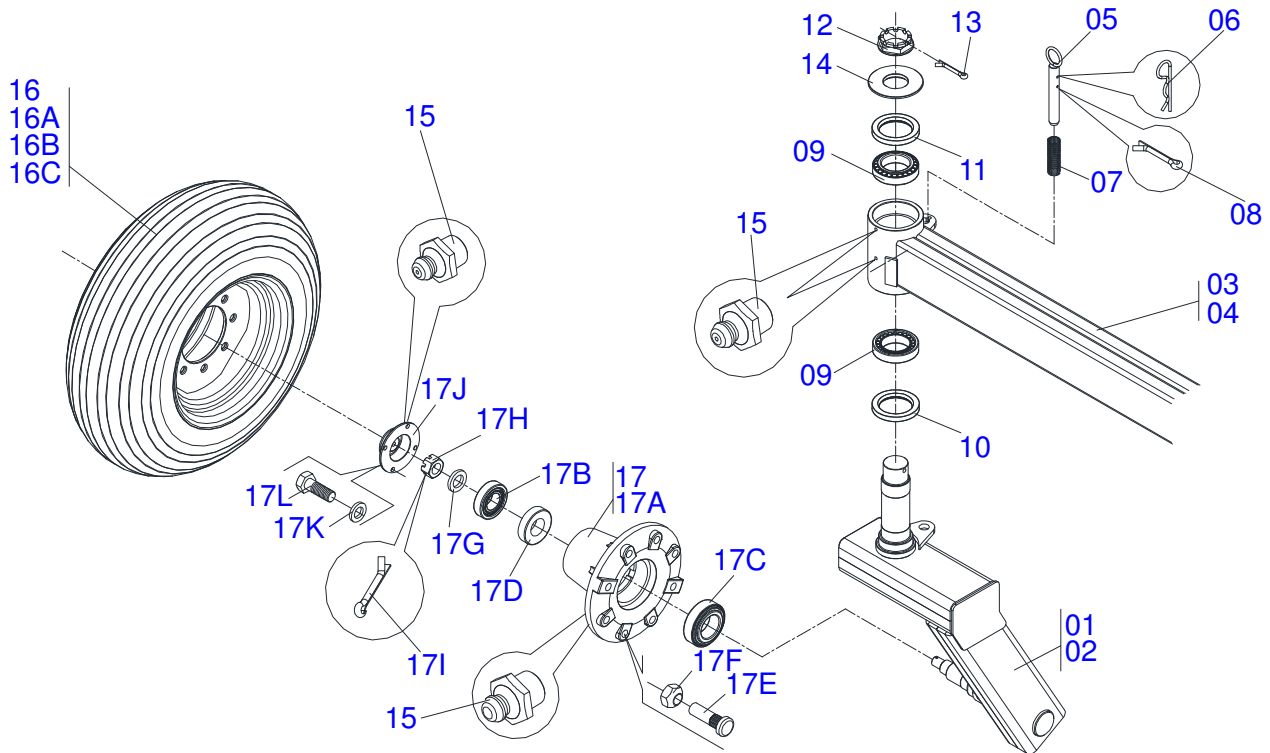
INDEX

0909091765	GCAG LD	1
0909093243	CARRYING-WHEELS ARM ASSY	2
0511048828	HYDRAULIC CYLINDER	3
0511048829	HYDRAULIC CYLINDER	4
0909093263	HYDRAULIC CIRCUIT	5

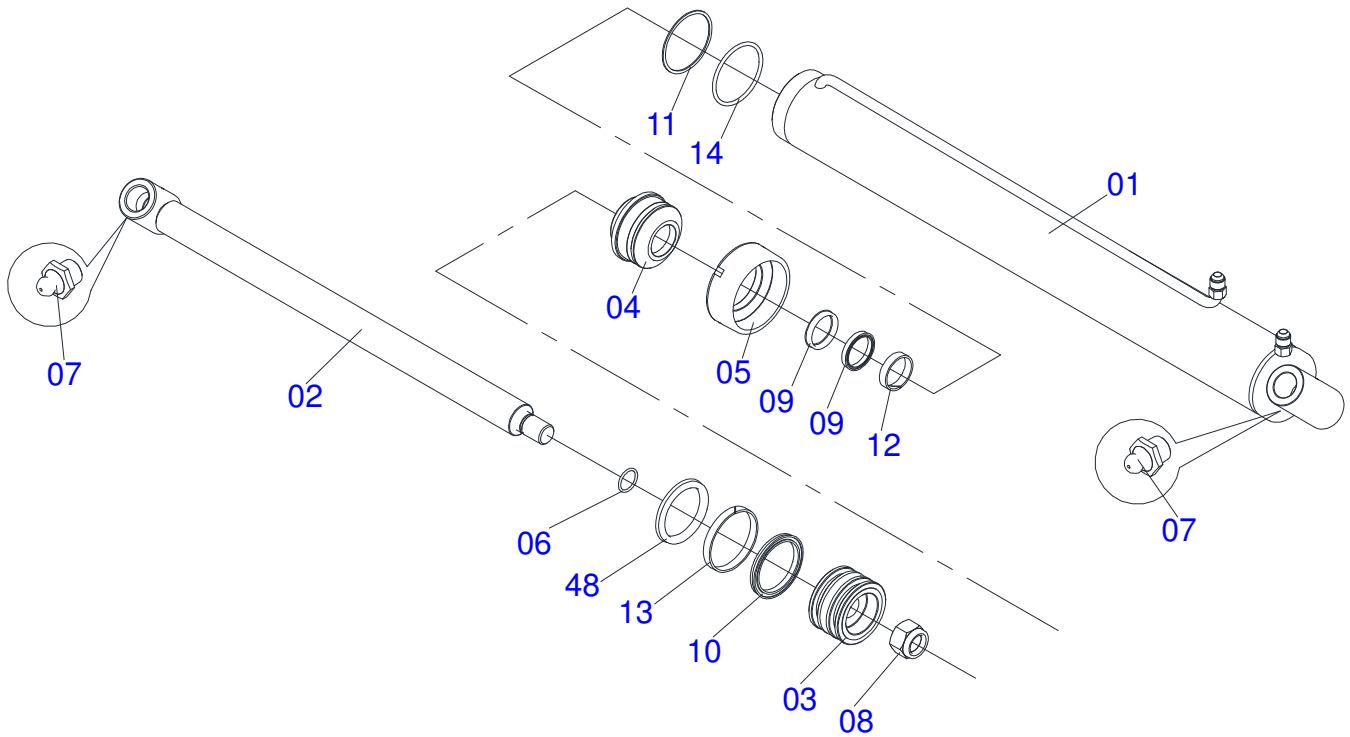


Item	Code	Description	QT
01	0521064382	CHARGING BAR TOWER	01
02	0521061767	SWIVEL TOWER	02
03	0521063228	COUPLING SHAFT	02
04	0551012215	FLAT WASHER	02
05	0503010002	1800 GREASE FITTING	08
06	0503010073	3/8 X 3-1/2 COTTERPIN	01
07	0511048829	HYDRAULIC CYLINDER	02
08	0511061810	HYDRAULIC CYLINDER FRANGE	02
09	0503010920	1/2" X 1.1/2" BOLT	02
10	0503010019	1/2" SPRING WASHER	02
11	0503010060	1/2" NUT	02
12	0503031133	FEMALE TERMINAL	01
13	0521062127	PIVOT SHAFT	02
14	0503010257	1/8" X 1" COTTERPIN	01
15	0521010579	COUPLING SHAFT	05
16	0503031035	HAIR PIN	02
17	0521010596	COUPLING SHAFT	01
18	0521040658	ADJUSTMENT BAR	01
19	0502012702	BODY SUPPORT CLAMP	02
20	0501069080	COUPLING SHAFT	01
21	0521060304	PLOUGH SUPPORT FRONT	01
22	0501011075	PIN	01
23	0503030012	HAIR PIN	01
24	0521062037	DRAWBAR ASSY	02
25	0521010582	COUPLING SHAFT	01
26	0521062036	HITCH ARTICULACION	02
27	0503010523	1/4" X 2" COTTERPIN	01
28	0521065106	U COUPLING TRACTOR	01
29	0561019051	ROPE	01
30	0503010071	3/16" X 1" COTTERPIN	01
31	0501058715	RH WHEEL ARM	01
32	0501058716	LH WHEEL ARM	01
33	0521063227	COUPLING SHAFT	03

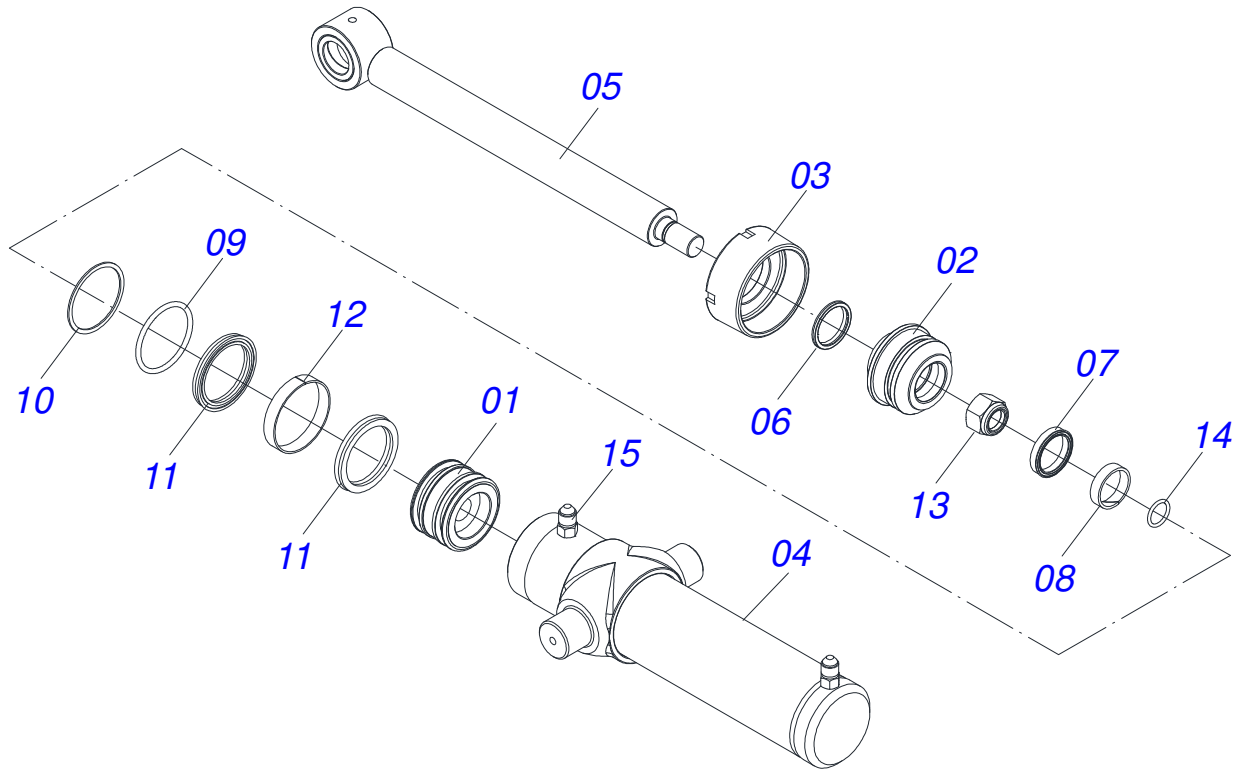
Item	Code	Description	QT
34	0521063226	COUPLING SHAFT	01
35	0511048828	HYDRAULIC CYLINDER	01
36	0521062101	PIVOT SHAFT	01
37	0501012916	FLAT WASHER 38,50 X 66 X 4,75 ZN	01
38	0501011301	1.1/2 UNC 6FPP 2.5/16 NUT	01
39	0503011345	1/4" X 3-1/2" COTTERPIN	01
40	0511049187	HYDRAULIC CYLINDER	01
41	0521064392	REAR FRAME	01
42	0521064402	FRONT BOOM BODY	01
43	0521064328	PLOUGH SUPPORT	01
44	0521012828	1.5" X 6.8" PIVOT SHAFT	01
45	0511050583	U HOOK	01
45A	0521062040	U COUPLING FOR CROSSPIECE	01
45B	0521062039	GATG LD RESET	01
45C	0541011345	16 X 68 PLUGER	01
45E	0501068990	COUPLING SHAFT	01
45F	0503030517	1.27" X 4.72"X 0.9" SPRING	01
45G	0503010362	1/8" X 1.1/4" COTTERPIN	01
46	0521010555	1-1/2" X 5.5" COUPLING SHAFT	01
46D	0503010018	5/32 X 1-1/2 COTTERPIN	01
47	0501012916	FLAT WASHER 38,50 X 66 X 4,75 ZN	02
48	0521060235	CROSSPIECE	01
49	0511058445	HYDRAULIC CYLINDER	01
50	0511058407	HYDRAULIC CYLINDER	01



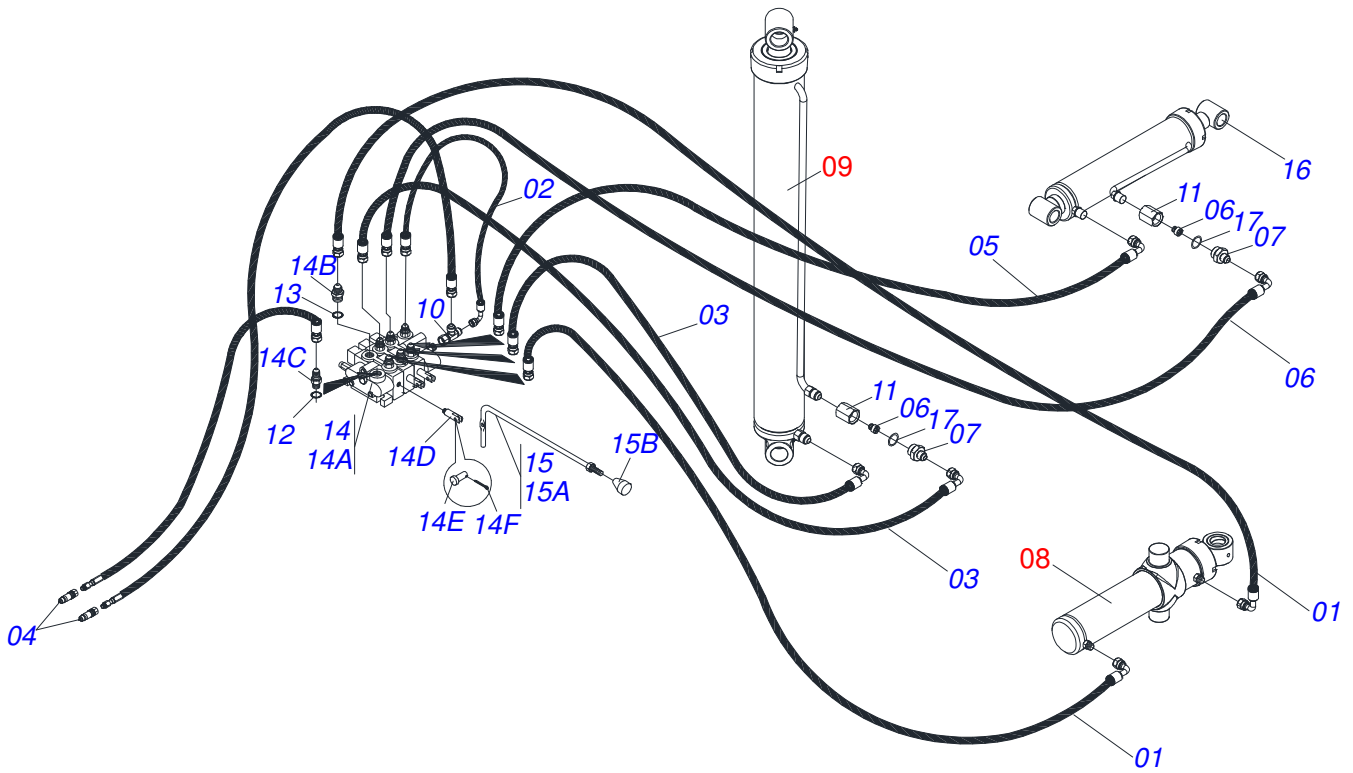
Item	Code	Description	QT
01	0521060221	RIGHT CARRYING-WHEELS SUPPORT	01
02	0521060219	LEFT CARRYING-WHEELS SUPPORT	01
03	0521060211	RIGHT ARM	01
04	0521060212	LEFT ARM	01
05	0511064229	LOCK PIN	02
06	0503030012	HAIR PIN	02
07	0503030978	COMPRES SPRING	02
08	0503010131	3/16" X 1-1/2" COTTERPIN	02
09	0503010059	33287/33462 ROLLER BEARING	02
10	0503010050	SEAL 00085-B	02
11	0503012314	2-248 1G05195 O'RING	01
12	0502040080	2.1/2" UM FLANGE NUT	01
13	0503010073	3/8 X 3-1/2 COTTERPIN	01
14	0541016926	HUB COVER	01
15	0503010002	1800 GREASE FITTING	04
16	0503060414	WHEEL AND TIRE	02
16A	0503012108	RODA 10 LB X 15 X 8F X 203 GCRO	02
16B	0503010860	CAMARA AR 11L 15	01
16C	0503010858	CANVAS TIRE	01
17	0501058791	STUB SHAFT & HUB ASSY	01
17A	0502012260	CAIXA RODADO TRANSPORTE GCRO 2240	01
17B	0503010008	ROLAMENTO 3780/37203	01
17C	0503011156	ROLAMENTO 2780/2720 IMP	01
17D	0503013314	RETENTOR 5166-GB 63,5 X 110 X 13 ARCA	01
17E	0501010186	PARAFUSO ROD 5/8UNF X 2.1/8CR	08
17F	0503010064	5/8 UNF CONIC NUT	08
17G	0511012492	ARRUELA LISA 28 X 46 X 6,30	01
17H	0503030009	1" CASTLE NUT	01
17I	0503010018	5/32 X 1-1/2 COTTERPIN	01
17J	0502020591	PROTECCION COVER	01
17K	0503011444	SPRING WASHER	04
17L	0503010358	5/16" X 5/8" BOLT	04



Item	Code	Description	QT
01	0521061768	101,6 X 1056 CYLINDER CASE	01
02	0521061769	50,8 X 1088 ROD	01
03	0502010992	2.0" X 4.0" PISTON	01
04	0502010778	2" X 4.2" RING SUPPORT	01
05	0502010017	4" HEAD	01
06	0503010345	2-218 N 3006-9B O'RING	01
07	0503010002	1800 GREASE FITTING	02
08	0503010817	1-1/4" SELF-ADJUSTING NUT	01
09	0503010991	PACKING 1870-2000-375-B	02
10	0503010043	PACKING 3750-3250	02
11	0503011061	8-342 BACK-UP RING	01
12	0503010952	W2-2250-500 PK RING G.E	01
13	0503010994	W2-4000-500 PK RING G.E	01
14	0503010338	2-342 N 3006-9B O'RING	01



Item	Code	Description	QT
01	0502010843	1.8" X 3.4" PISTON	01
02	0502010781	RING SUPPORT	01
03	0502010993	DETACHABLE COVER	01
04	0521061771	CYLINDER CASE	01
05	0521061770	44,45 X 517 ROD	01
06	0503010761	D-1750 SCRAPER RING	01
07	0521061770	44,45 X 517 ROD	01
08	0503010949	W2-2000-500 PK RING G.E	01
09	0503010976	2-336 N 3006-9B O'RING	01
10	0503011060	8-336 BACK-UP RING	01
11	0503010170	PACKING 3120 2750	01
12	0503010948	W4-3346-590 PK RING G.E	01
13	0503010063	1" SELF-ALIGNING NUT	01
14	0503010042	2-214 N 3006-9B O'RING	01
15	0503030385	PLUG	02



Item	Code	Description	QT
001	0501080055	3/8" X 1000 TR-TC HOSE	02
002	0501080285	1/2" X 16" TR-TC HOSE ASSY	01
003	0501080230	1/2 X 1450 TR-TC HOSE	02
004	0501080335	1/2" X 63" TC-TM HOSE ASSY	02
005	0501081237	TR-TM HOSE ASSY	02
006	0503016854	VALVE ASSY	02
007	0571014683	NIPLE	02
008	0511048829	HYDRAULIC CYLINDER	01
009	0511048828	HYDRAULIC CYLINDER	01
010	0503012341	T 7/8" ADAPOR GIRAT NUT	01
011	0571014684	FIXER ADAPTER	02
012	0503010045	2-116 N 3006-9B O-RING	04
013	0503011030	2-014 N 3006-9B O-RING	02
014	0511049267	COMMAND TRIPLE ASSY 3/8"	01
14A	0503061965	TRIPLE CONTROL	01
14B	0501011460	7/8 NF REDUCTION NIPPLE	07
14C	0501010617	3/4" NIPPLE	02
14D	0503012763	LOWER LEVER	03
14E	0521010532	0.3" X 0.9" COUPLING SHAFT	03
14F	0503010140	1/8" X 3/4" COTTERPIN	03
15	0511047872	CONTROL LEVER ASSY	03
15A	0521060682	CONTROL VALVE LEVER	03
16	0511049187	HYDRAULIC CYLINDER	01
17	0503013467	2123 29,82X2,62 O-RING	02



email: civemasa@civemasa.com.br

www.civemasa.com.br

Phone: +55 16.3382.8222

Fax: +55 16.3382.8355

MARCHESAN IMPLEMENTOS E MÁQUINAS AGRÍCOLAS "TATU" S.A.

Av. Marchesan, 1979 - Post Office box, 131 - Cep 15994-900 - Matão - Sp - Brasil

CNPJ 52.311.289/0001-63 | Inst. Est.441.000.151.114

Technical Publications: Elaboration

MARINA PEREZ NIZA

Technical Publications: Revision

ALESSANDRA PATRICIA KAWAHARA CARRILI

Contact Catálogo:

E-mail = jgaspari@marchesan.com.br

ORIGINAIS PARTS
CIVEMASA