

PARTS CATALOGUE

REAR SCRAPER PULL TYPE

Code:

0501091605

Product:

LTM 5000 S



Series:

S-0515

Revision:

00

Revision Date:


ABRIL/2016

PRODUCTS

Code	Description
0121300004	LTM 5000 S S-0515

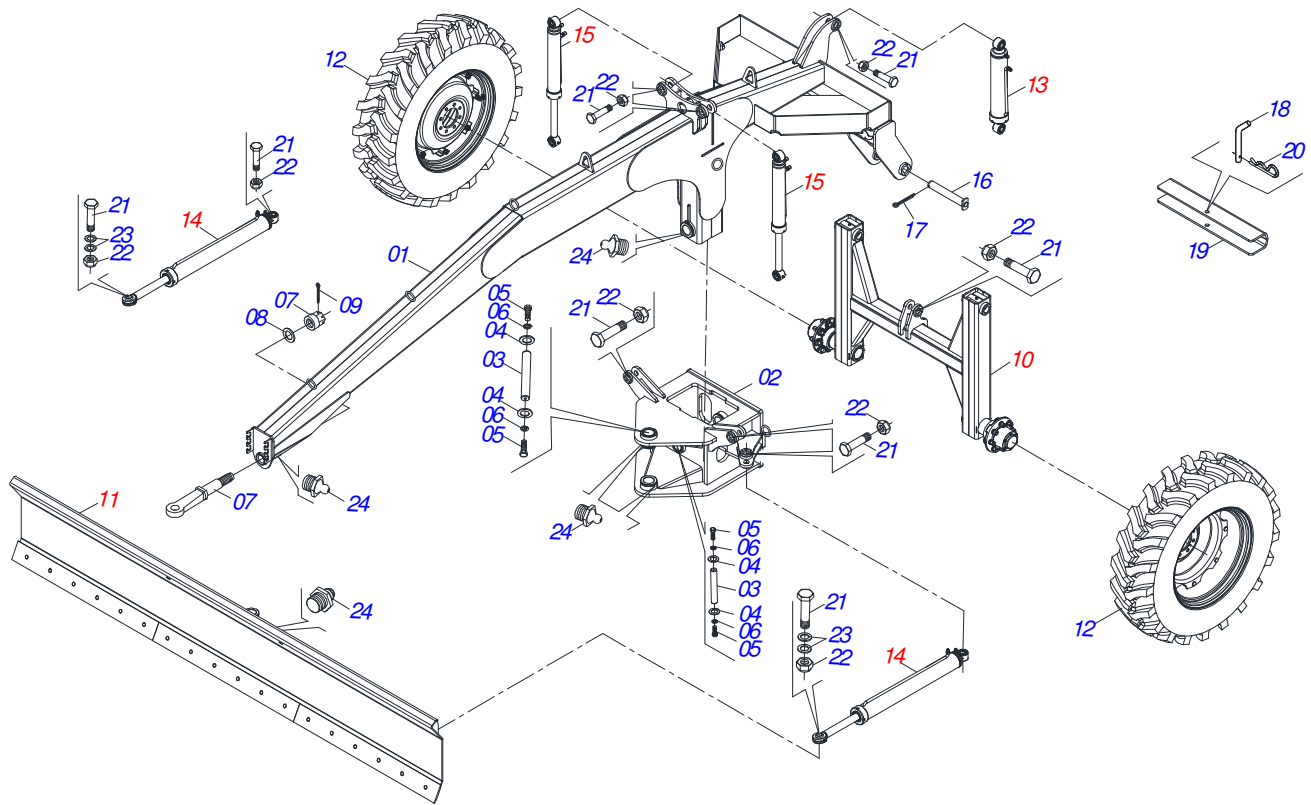
ATTENTION: IMPORTANT

Civemasa reserves the right to improve and / or modify the technical features of its products, without obligation to do the same with those products already sold and without prior knowledge of the dealer or the consumer.

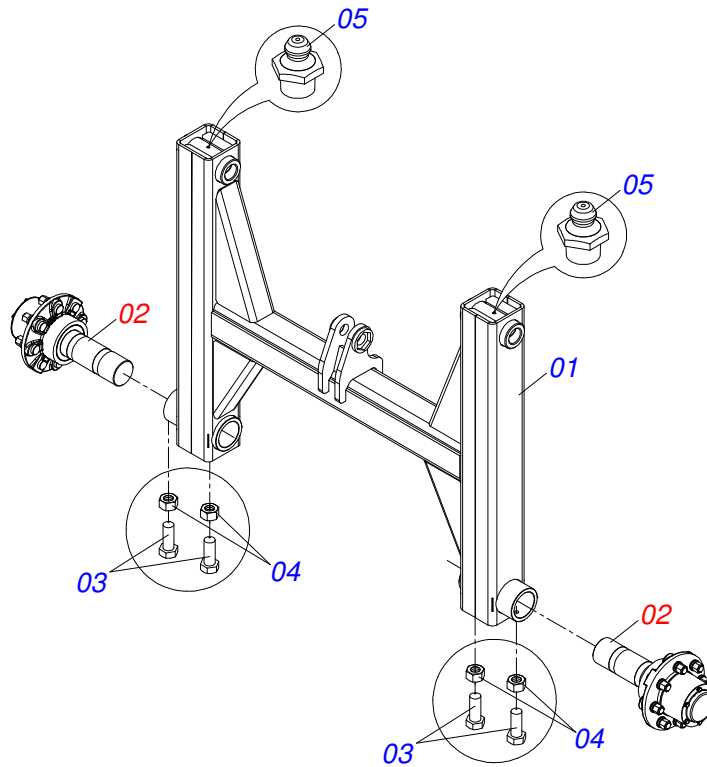


INDEX

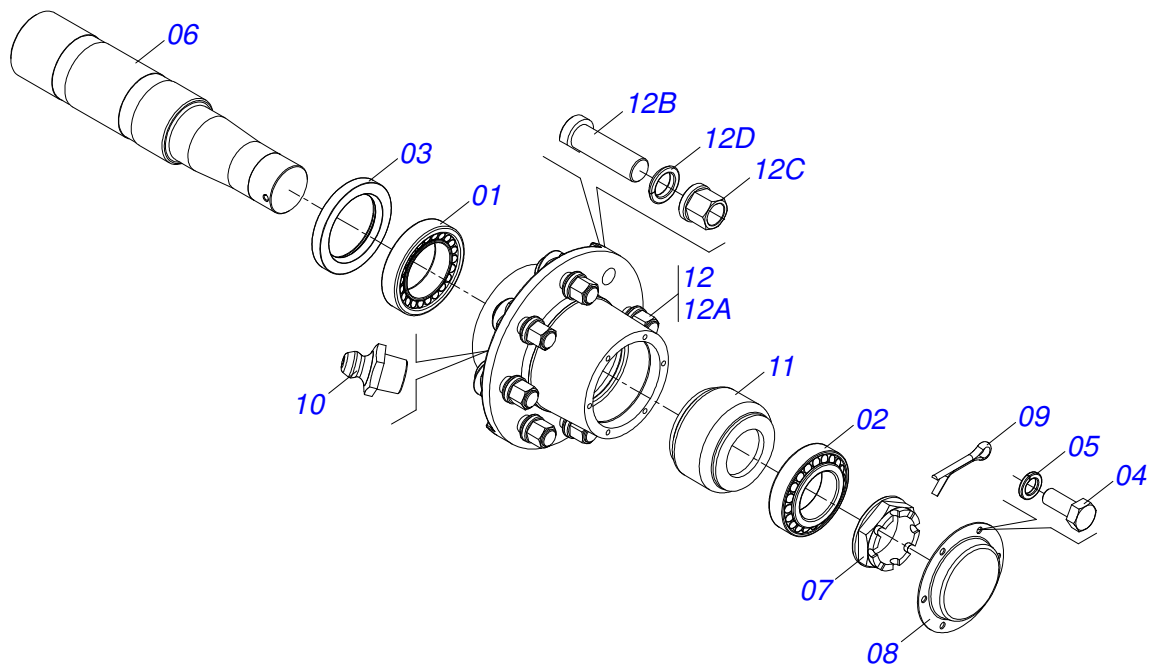
0909090927	LTM 5000 S COMPLETA	1
0521045486	WHEELED WITHOUT TIRE	2
0511050710	WHEELED WITHOUT TIRE (430)	3
0521045644	DOZER BLADE ASSY	4
0521045491	HYDRAULIC CYLINDER 44,45 X 101,60 X 711 X 425	5
0511058457	HYDRAULIC CYLINDER	6
0521045490	HYDRAULIC CYLINDER 50,80 X 101,60 X 1130 X 813	7
0909091869	HYDRAULIC CIRCUIT	8



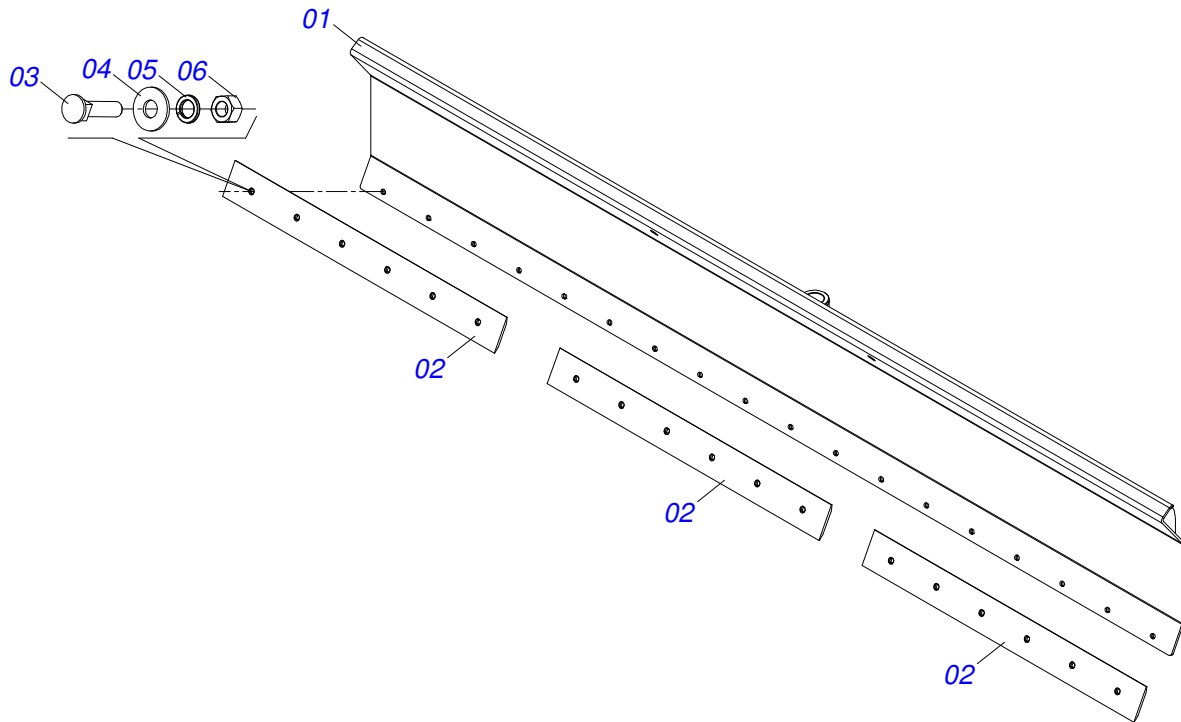
Item	Code	Description	See page	QT
01	0521066181	FRAME		01
02	0521065915	FIXER SUPPORT DOZER BLADE		01
03	0541011899	2.9" X 20" COUPLING SHAFT		02
04	0511013244	FLAT WASHER		04
05	0503011250	1" X 2" BOLT		04
06	0503010012	1" SPRING WASHER		04
07	0503061649	PONTEIRA HITCH SILPA		01
08	0511019776	FLAT WASHER		01
09	0503012213	1/4" COTTERPIN		01
10	0521045486	WHEELED WITHOUT TIRE	2	01
11	0521045644	DOZER BLADE ASSY	4	01
12	0511057177	WHEEL AND TIRE 14,9 X 28 8 CANVAS		02
13	0521045491	HYDRAULIC CYLINDER 44,45 X 101,60 X 711 X 425	5	01
14	0521045490	HYDRAULIC CYLINDER 50,80 X 101,60 X 1130 X 813	7	02
15	0511058457	HYDRAULIC CYLINDER	6	02
16	0521063252	50,85 X 332 AXLE		02
17	0503010073	3/8 X 3-1/2 COTTERPIN		02
18	0541016844	FIXER LOCK		01
19	0571018950	LOCK TRANSPORT 430 X 47		01
20	0503030285	HAIR PIN		01
21	0571018948	1.1/4 UNF X 112 BOLT		10
22	0503010044	1-1/4" SELF LOCKING NUT		10
23	0571019268	FLAT WASHER 38,50 X 50 X 6,30		04
24	0503010002	1800 GREASE FITTING		07



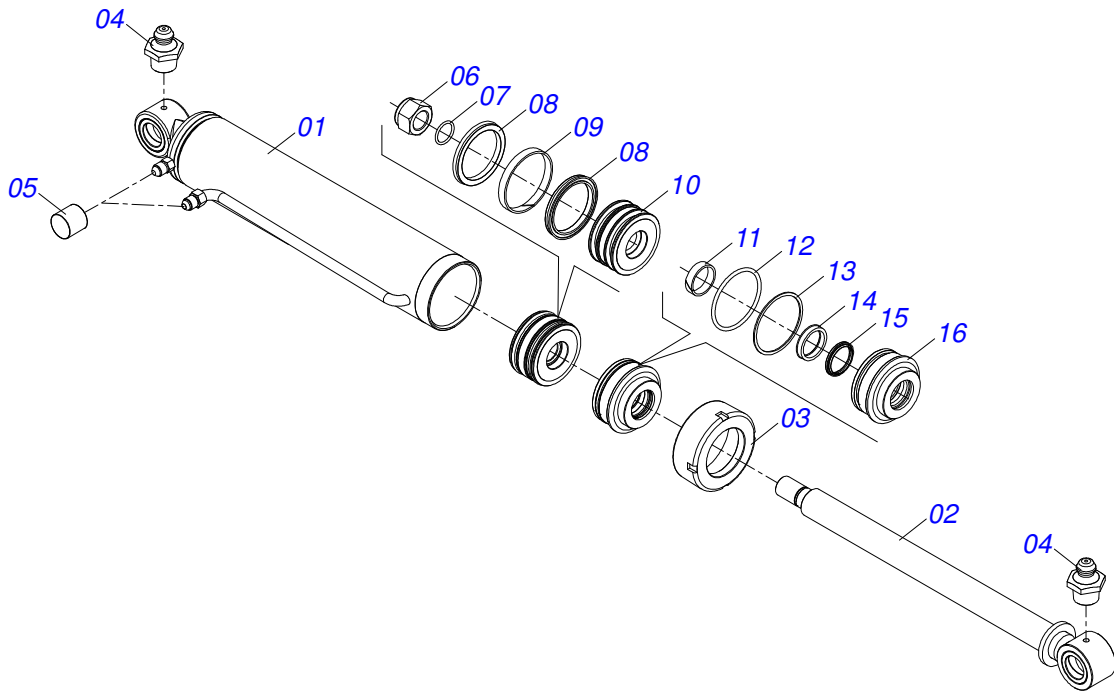
Item	Code	Description	See page	QT
01	0521065912	WHEEL LTA		01
02	0511050710	WHEELED WITHOUT TIRE (430)	3	02
03	0571018726	BOLT 5/8 UNC X 1.3/4 CS		04
04	0503010013	5/8" NUT		04
05	0503010002	1800 GREASE FITTING		02



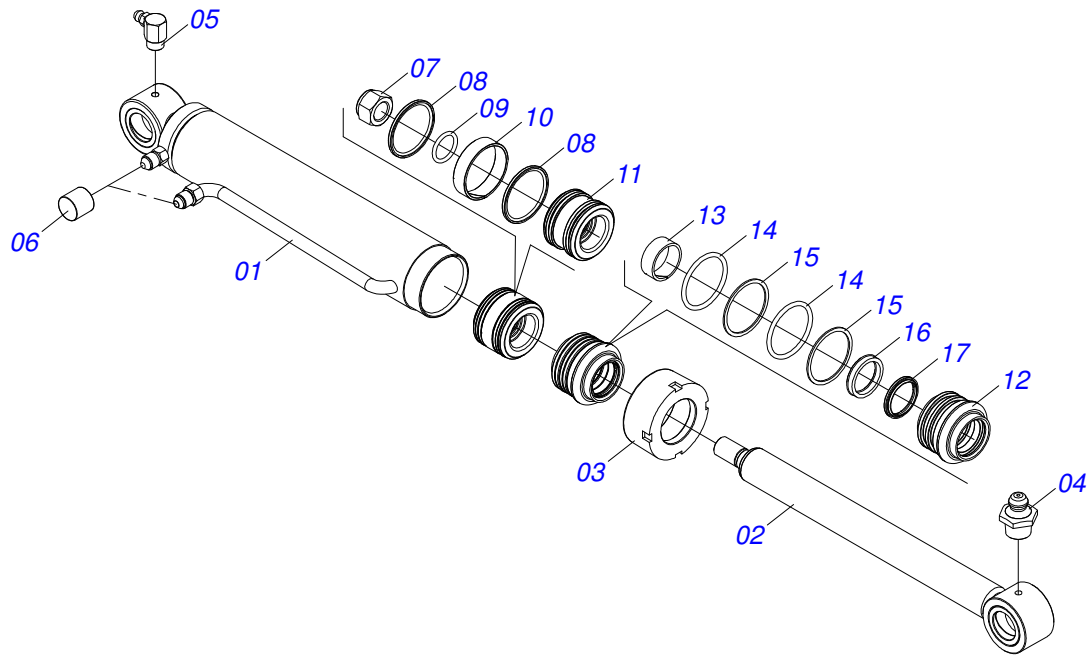
Item	Code	Description	See page	QT
01	0503010059	33287/33462 ROLLER BEARING		01
02	0503010007	3982/3920 ROLLER BEARING		01
03	0503010050	SEAL 00085-B		01
04	0503010240	5/16" X 3/4" BOLT		06
05	0503011444	SPRING WASHER		06
06	0561018159	POINT AXIS 88,80 X 430		01
07	0502040080	2.1/2" SLOTTED NUT		01
08	0541013225	WHEEL BOX COVER		01
09	0503012231	1/4" X 3" COTTERPIN		01
10	0503010002	1800 GREASE FITTING		01
11	1882970002	GREASE SOAP		00
12	0501110751	HUB AND SPINDLE WITH BOLT		01
12A	0502040522	HUB CARRYING-WHEELS		01
12B	0503011339	M22 X 1,5 X 72 BOLT		08
12C	0503011341	M22 X 0.6" NUT GR8 NUT		08
12D	0503011340	SPHERICAL SPRING WASHER		08



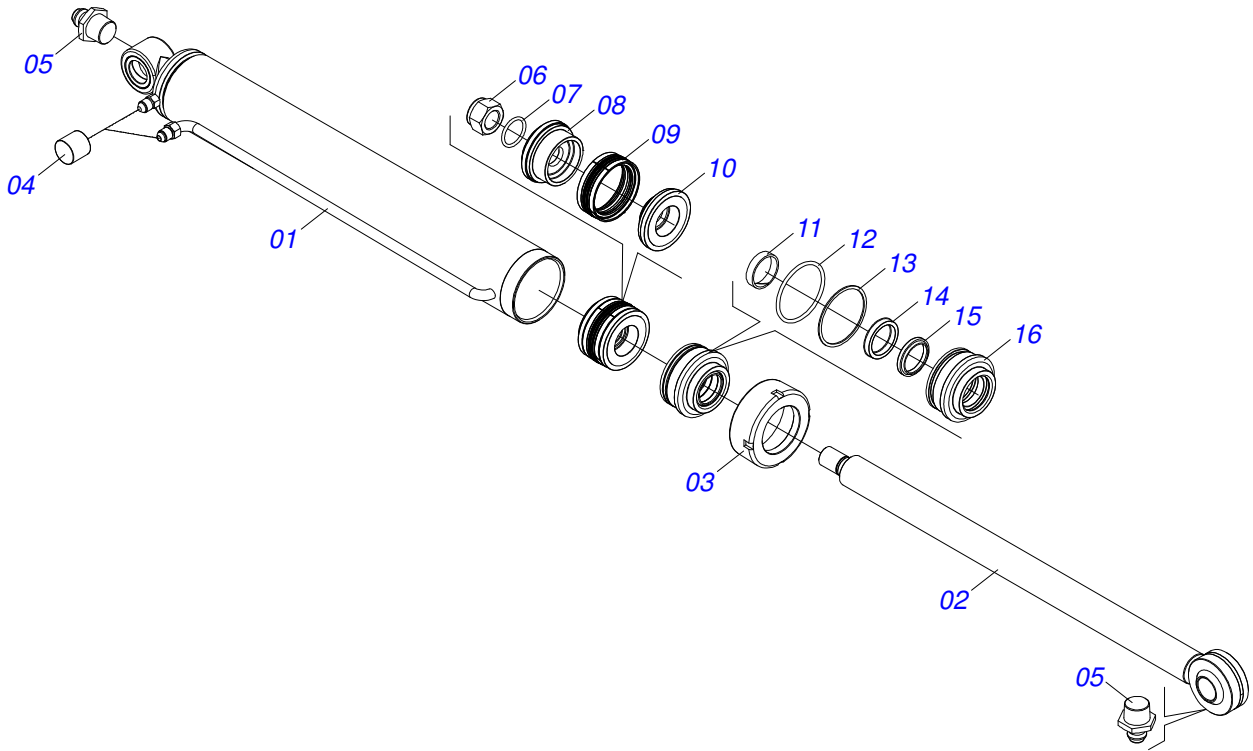
Item	Code	Description	See page	QT
01	0521065905	DOZER BLADE 4480 X 722		01
02	0571018949	SCRAPER 1500 X 6 X 1/2		03
03	0501012240	5/8" X 2-1/2" BOLT		18
04	0571010265	16.5 X 40 X 3 FLAT WASHER		18
05	0503010027	5/8" SPRING WASHER		18
06	0503010013	5/8" NUT		18



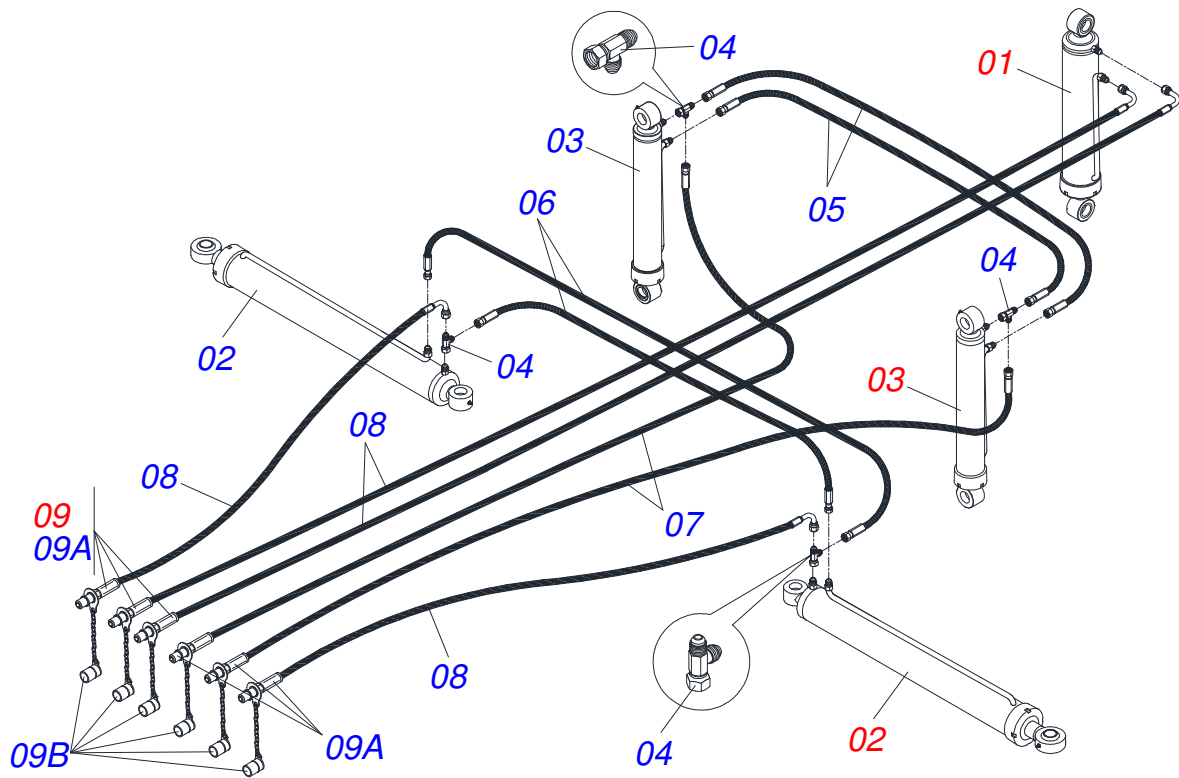
Item	Code	Description	See page	QT
01	0521065925	CASE 101,60 X 532		01
02	0521065969	TURNBUCLE 44,45 X 602		01
03	0502010017	4" HEAD		01
04	0503010002	1800 GREASE FITTING		02
05	0503030385	CYLINDER PLUG N-002		02
06	0503010817	1.1/4" SELF LOCKING NUT		01
07	0503010345	2-218 N 3006-9B O'RING		01
08	0503010043	PACKING 3750-3250		02
09	0503010994	W2-4000-500 PK RING G.E		01
10	0571015240	PISTON		01
11	0503010949	W2-2000-500 PK RING G.E		01
12	0503010338	2-342 N 3006-9B O'RING		01
13	0503011061	8-342 BACK-UP RING		01
14	0503010990	GASKET		01
15	0503010761	D-1750 SCRAPER RING		01
16	0571015239	RING SUPPORT		01



Item	Code	Description	See page	QT
01	0511063212	3" X 23" CYLINDER CASE		01
02	0501068711	1.7" X 22" TURNBUCLE		01
03	0502011899	MOBILE COVER		01
04	0503010002	1800 GREASE FITTING		01
05	0503010004	1890 GREASE FITTING		01
06	0503030385	CYLINDER PLUG N-002		02
07	0503010063	1" SELF-ALIGNING NUT		01
08	0503018138	RING BS		02
09	0503010042	2-214 N 3006-9B O-RING		01
10	0503018140	RING GUIDE		01
11	0581010304	PISTON		01
12	0581010301	RING SUPPORT		01
13	0503017938	RING GUIDE		01
14	0503010343	2-334 N 3006-9B O-RING		02
15	0503011059	8-334 BACK-UP RING		02
16	0503017937	GASKET		01
17	0503010761	D-1750 SCRAPER RING		01



Item	Code	Description	See page	QT
01	0521065923	CASE 101,6 X 930		01
02	0521065924	TURNBUCLE 63,50 X 1004		01
03	0502010017	4" HEAD		01
04	0503030385	CYLINDER PLUG N-002		02
05	0503010002	1800 GREASE FITTING		02
06	0503010817	1.1/4" SELF LOCKING NUT		01
07	0503010345	2-218 N 3006-9B O'RING		01
08	0561016387	PISTON BODY		01
09	0503015633	SELEMASTER SEALING		01
10	0561016389	PISTON BODY		01
11	0503015634	RING SLYDRING		01
12	0503010338	2-342 N 3006-9B O'RING		01
13	0503011061	8-342 BACK-UP RING		01
14	0503015635	U-CUP SEAL		01
15	0503015636	SCRAPER SEAL		01
16	0502012642	SUPPORT OF THE RINGS		01



Item	Code	Description	See page	QT
01	0521045491	HYDRAULIC CYLINDER 44,45 X 101,60 X 711 X 425	5	01
02	0521045490	HYDRAULIC CYLINDER 50,80 X 101,60 X 1130 X 813	7	02
03	0511058457	HYDRAULIC CYLINDER	6	02
04	0503011968	3/4" 8R6X-S T ADAPTER WITH SWIVEL NUT		04
05	0501080105	TR-TR HOSE ASSY		02
06	0501080047	3/8" X 67" TR-TR HOSE ASSY		02
07	0501080409	3/8" X 6000 TC-TM HOSE		02
08	0501080477	HOSE 3/8 X 7012 TC-TM		04
09	0501053834	MALE QUICK COUPLER WITH CAP - 1/2 NPT		06
09A	0503011627	MALE QUICK COUPLER AGR 1/2 NPT		06
09B	0503011882	MALE QUICK COUPLER CAP		06



CIVEMASA

www.civemasa.com.br



Technical Publications | Elaboration and Revision
MARINA PEREZ NIZA