

PARTS CATALOGUE

RAHC 3009A

Code: 0501091604



Series: S-0406

Review: MAIO/2016

ORIGINAL PARTS
CIVEMASA

civemasa

PRODUCTS

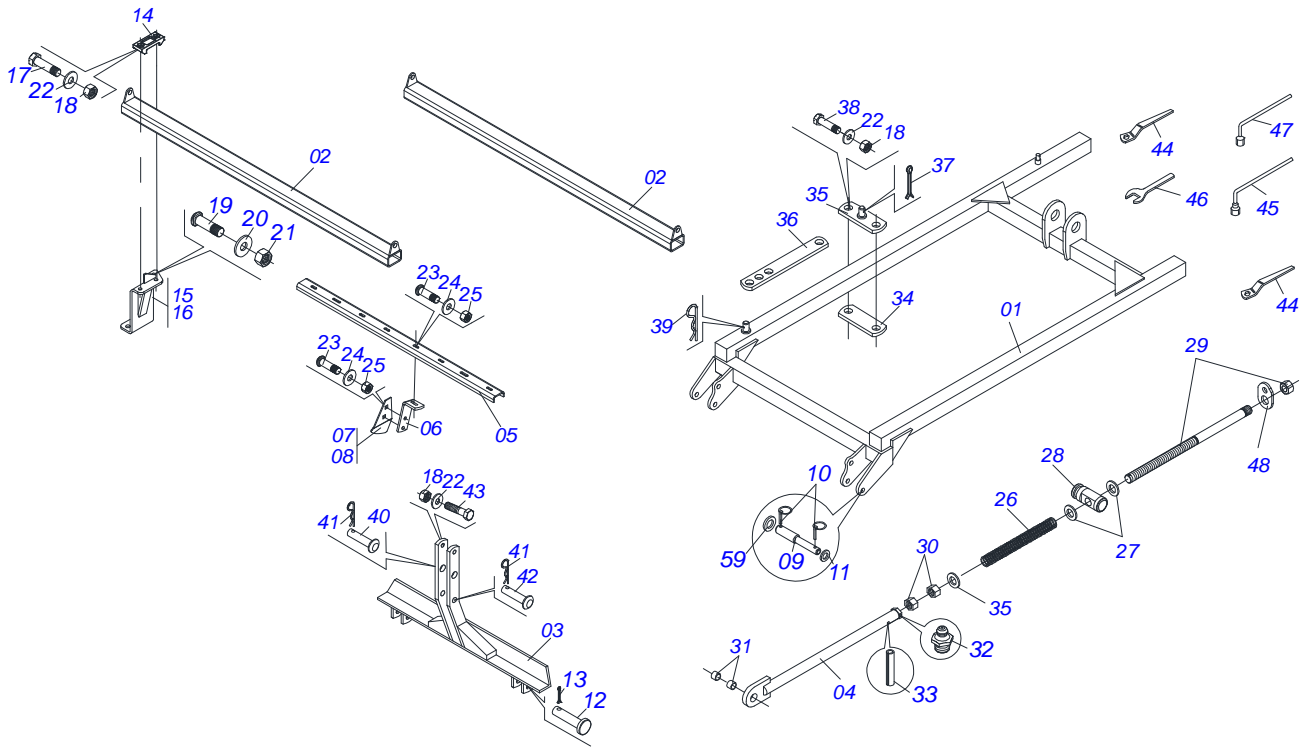
Code	Description
0121250010	RAHC 3009A 20X24X6,00 DM MT

ATTENTION: **IMPORTANT**

CIVEMASA RESERVES THE RIGHT AT ANY TIME TO MAKE IMPROVEMENTS IN THE DESIGN, MATERIAL OR SPECIFICATIONS OF MACHINERY, EQUIPMENT OR PARTS WITHOUT THEREBY BECOMING LIABLE TO MAKE SIMILAR CHANGES IN MACHINERY, EQUIPMENT OR PARTS PREVIOUSLY SOLD.

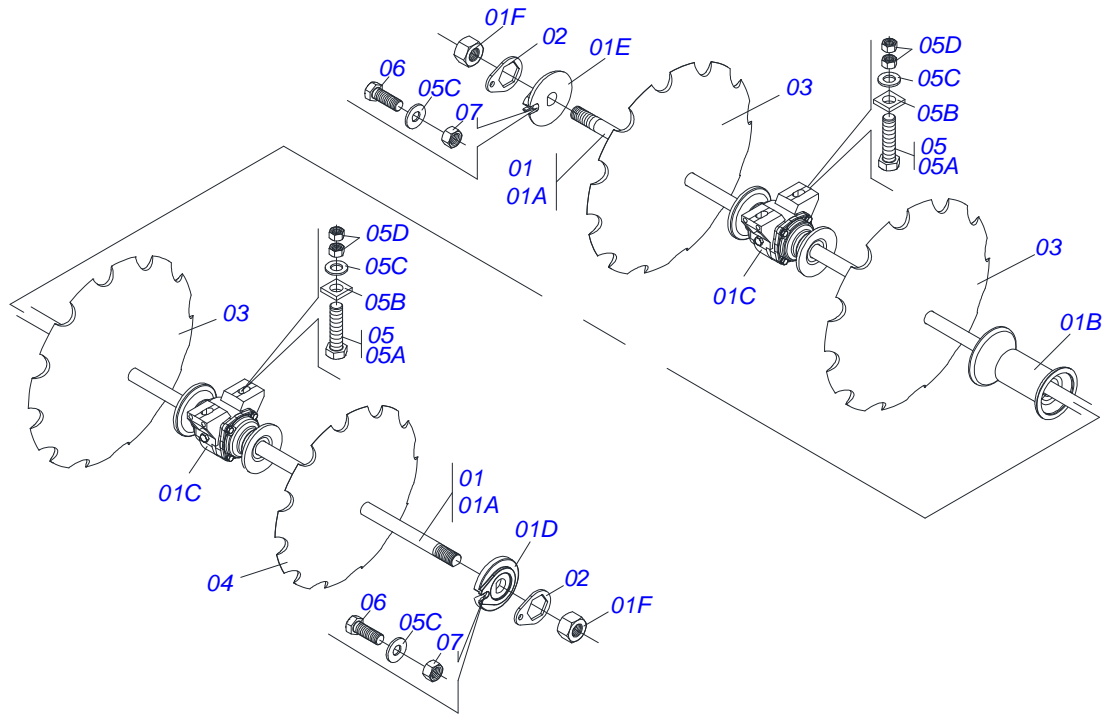
INDEX

0909094782	RAHC 3009A	1
0909094783	SECTION DISCS FRONTS	2
0909094785	REAR GANG DISC	3
0501046311	OIL BATH BEARING	4

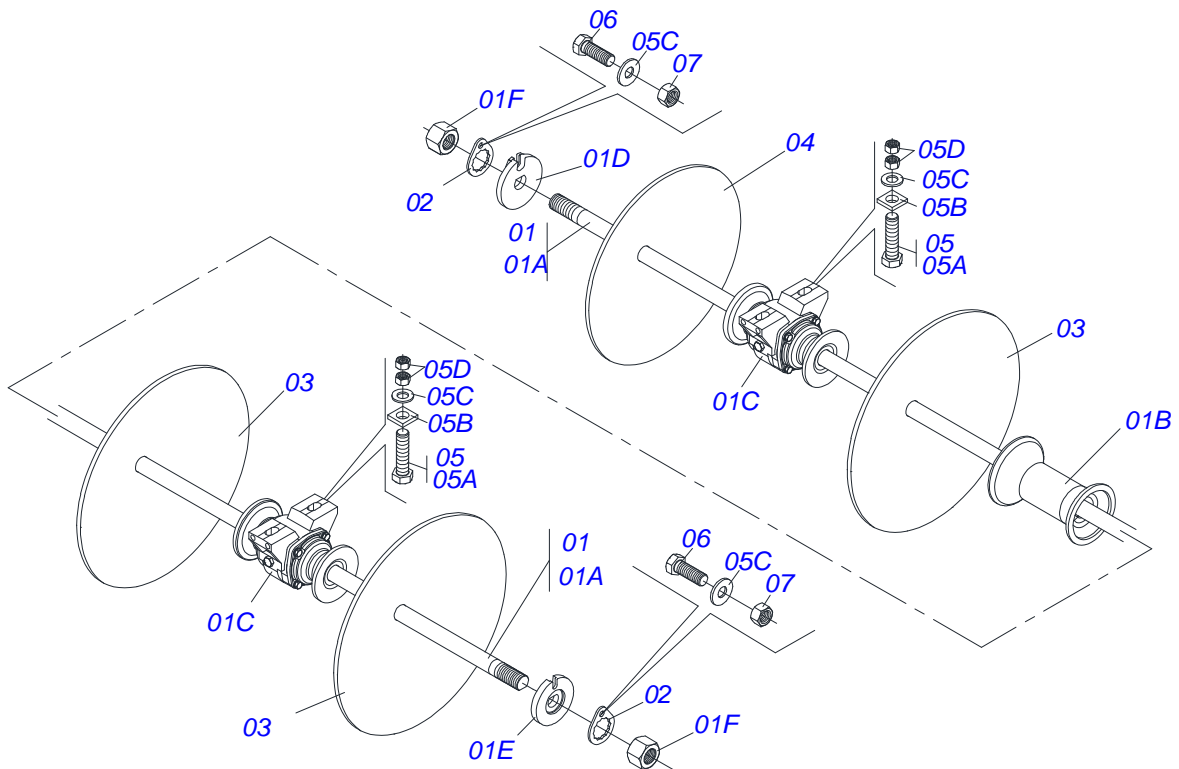


Item	Code	Description	QT
01	0521066200	FRAME	01
02	0511068468	TUBE	02
03	0511067675	DRAWBAR	01
04	0511067670	1270 ADJUSTMENT BAR	01
05	0551014637	BAR FIX CLEANER	02
06	0541015258	SCRAPER BODY	20
07	0541015256	SHOVEL SCRAPER	10
08	0541015257	SHOVEL SCRAPER	10
09	0551011381	LOWER PIN	02
10	0503030430	7/16 X 2" PIN LOCK	04
11	0511017480	FLAT WASHER	02
12	0551011458	28,50 X 90 PLUGER	02
13	0503010571	1/4" X 1.1/2" COTTERPIN	02
14	0502012323	BRACKET FIXER	06
15	0511065942	RIGHT FRONT BRACKET REAR LEFT	03
16	0511065266	LEFT FRONT BRACKET REAR RIGHT	03
17	0503013113	1" X 6" BOLT	12
18	0501010059	1" NUT	21
19	0503013842	5/8" UNC X 1-3/4" BOLT	06
20	0501012140	FLAT WASHER	06
21	0503010013	5/8" NUT	06
22	0541010210	FLAT WASHER	21
23	0501010243	1/2" X 1-1/2" BOLT	60
24	0511017302	FLAT WASHER	60
25	0503010020	1/2" NUT	60
26	0503032857	40 X 510 X 12,7 COMPRESSION SPRING	01
27	0501012694	FLAT WASHER	02
28	0501018141	GUIDE	01
29	0501069398	CRANK	01
30	0521011696	1.1/2" LEFT 38 NUT	02
31	0551016903	26,5 X 44,45 X 28 SLEEVE	02
32	0503010002	GREASE FITTING	01
33	0503010292	0.2" X 1.6" SPRING PIN	01

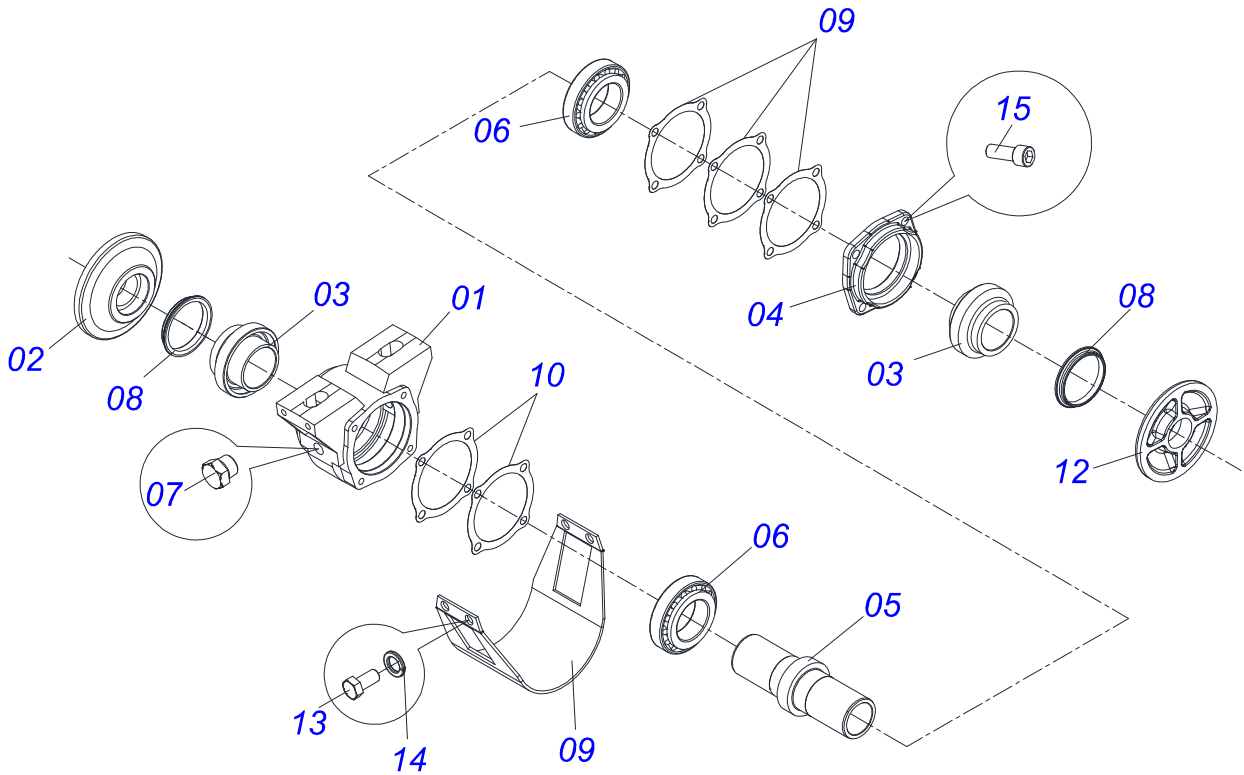
Item	Code	Description	QT
34	0551011384	FRAME LOCK PLATE	06
35	0511067691	FRAME LOCK PLATE	02
36	0551011379	REGULATOR PLATE FRAME	02
37	0503010131	3/16" X 1-1/2" COTTERPIN	02
38	0503014180	1" X 10 BOLT	08
39	0503030012	HAIR PIN	02
40	0521010545		01
41	0503031035	HAIR PIN	02
42	0521010580	COUPLING SHAFT	01
43	0501010372	1" X 5-1/2" BOLT	01
44	0501011432	1-1/2" AND 1-5/8 CABLE FLAT WRENCH	02
45	0501061617	1" WRENCH CYLINDRICAL HEX	01
46	0511010153	2-5/16" FIXED WRENCH	01
47	0501068273	5/8" WRENCH CABLE CYLINDRICAL	01
48	0551016902	LIFT EAR	01



Item	Code	Description	QT
01	0511024924	1.1/2 X 2195 AXLE	01
01A	0501043757	1-1/2" X 86" AXLE WITH NUTS	01
01B	0502010621	8.8" 1-1/2" SPACER	07
01C	0501046311	OIL BATH BEARING	03
01D	0502010871	1-1/2" EXTERNAL AXLE WASHER	01
01E	0502010872	1-1/2" INNER AXLE WASHER	01
01F	0501010110	1.1/2" NUT	02
02	0501018592	1-5/8" 2.4" NUT LOCK	02
03	0602030421	24" X 6 NOTCHED DISC	10
04	0602029413	DR22X6 C74AF02FR1.9/16 10REC TATU	01
05	0501058802	5/8 UNC X 2.3/4 BOLT ASSY	06
05A	0503015154	5/8" X 2.3/4" BOLT	06
05B	0501010947	5/8" SQUARE WASHER	06
05C	0501012140	FLAT WASHER	08
05D	0503010013	5/8" NUT	12
06	0503011267	5/8" X 1.1/2" BOLT	02
07	0503010013	5/8" NUT	02



Item	Code	Description	QT
01	0511024924	1.1/2 X 2195 AXLE	01
01A	0501043757	1-1/2" X 86" AXLE WITH NUTS	01
01B	0502010621	8.8" 1-1/2" SPACER	07
01C	0501046311	OIL BATH BEARING	03
01D	0502010871	1-1/2" EXTERNAL AXLE WASHER	01
01E	0502010872	1-1/2" INNER AXLE WASHER	01
01F	0501010110	1.1/2" NUT	02
02	0501018592	1-5/8" 2.4" NUT LOCK	02
03	0601031116	24 X 6 PLAIN DISC	10
04	0601029409	DL22X6 C74AF02FR1.9/16 TATU	01
05	0501058802	5/8 UNC X 2.3/4 BOLT ASSY	06
05A	0503015154	5/8" X 2.3/4" BOLT	06
05B	0501010947	5/8" SQUARE WASHER	06
05C	0501012140	FLAT WASHER	08
05D	0503010013	5/8" NUT	12
06	0503011267	5/8" X 1.1/2" BOLT	02
07	0503010013	5/8" NUT	02



Item	Code	Description	QT
01	0502011751	OIL HOUSING BEARING	01
02	0502010604	OUTER FLANGE	01
03	0502010821	SEAL RETAINER	02
04	0502020424	HOUSING CAP DM	01
05	0502040611	AXLE	01
06	0503010006	32210 ROLLER BEARING	02
07	0503010856	3/8" OIL PLUG	01
08	0503030026	SEAL # LP JB-253	04
09	0503030013	4.4" X 3.5" X 0.004" JOINT	03
10	0503030684	4.4" X 3.5" X 0.004" JOINT	02
11	0511010829	BEARING GUARD	01
12	0502010605	INNER FLANGE	01
13	0503011334	3/8" X 3/4" BOLT	04
14	0503010025	3/8" SPRING WHASHER	04
15	0503010134	3/8" X 1" BOLT	04



email: civemasa@civemasa.com.br

www.civemasa.com.br

Phone: +55 16.3382.8222

Fax: +55 16.3382.8355

MARCHESAN IMPLEMENTOS E MÁQUINAS AGRÍCOLAS "TATU" S.A.

Av. Marchesan, 1979 - Post Office box, 131 - Cep 15994-900 - Matão - Sp - Brasil

CNPJ 52.311.289/0001-63 | Inst. Est.441.000.151.114

Drafting and Illustration = GASPARI
e.mail = jgaspari@marchesan.com.br

**ORIGINAIS PARTS
CIVEMASA**

The Civemasa logo, identical to the one at the top of the page, is positioned at the bottom right of the page. It features the word "civemasa" in a bold, italicized, lowercase sans-serif font, with three vertical bars above the letters "i", "v", and "e" in green, orange, and green.