

PARTS CATALOGUE

TINE CULTIVATORS

CCA 13 E 19

Code: 0501091603



Series: S-1089

Review: MAIO/2016

**ORIGINAL PARTS
CIVEMASA**

civemasa

PRODUCTS

Code	Description	
0121260004	CCA 13 3,70 HL	S-0608
0121260005	CCA 19 5,50 HL	S-0608
0121260003	CCA 15 4,20 HL	S-0608
0121260002	CCA 11 3,20 HL	S-0608
0121260001	CCA 10 3,20 HL	S-0608

ATTENTION: **IMPORTANT**

CIVEMASA RESERVES THE RIGHT AT ANY TIME TO MAKE IMPROVEMENTS IN THE DESIGN, MATERIAL OR SPECIFICATIONS OF MACHINERY, EQUIPMENT OR PARTS WITHOUT THEREBY BECOMING LIABLE TO MAKE SIMILAR CHANGES IN MACHINERY, EQUIPMENT OR PARTS PREVIOUSLY SOLD.

INDEX

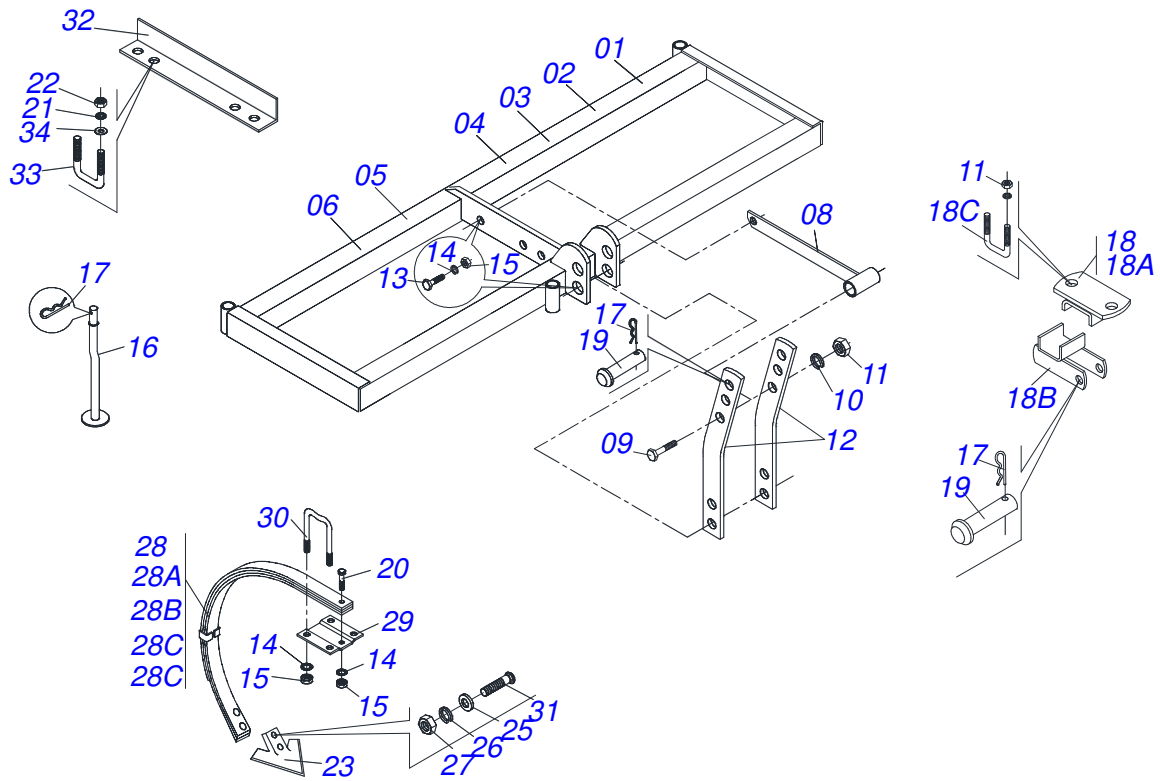
0909094377

CCA

..... 1

ORIGINAL PARTS
CIVEMASA

civemasa



Item	Code	Description	13	19
01	0501061036	2300 FRAME	00	00
02	0501060827	2800 FRAME	00	00
03	0501060828	3200 FRAME	00	00
04	0501062520	3700 FRAME	01	00
05	0501061098	4200 FRAME	00	00
06	0501066593	4600 FRAME	00	00
07	0501066585	5500 FRAME	00	01
08	0501064601	ATTACHMENT BAR	01	01
09	0501010216	3/4" X 4-1/2" BOLT	01	01
10	0503010023	SPRING WASHER	05	05
11	0503010014	3/4" NUT	05	05
12	0501019055	CAB SEMI	02	02
13	0503010232	5/8" X 1.3/4" BOLT	05	05
14	0503010027	SPRING WASHER	70	100
15	0503010014	3/4" NUT	70	100
16	0501062412	PLOUGH SUPPORT 725	01	01
17	0503031035	HAIR PIN	04	04
18	0501040967	LOWER HITCH ASSY	02	02
18A	0501060838	STAPLE GUIDE	01	01
18B	0501060837	LOWER HITCH	01	01
18C	0521010657	3/4" FASTENER	01	01
19	0521010577	0.9" X 4.1" COUPLING SHAFT	03	03
20	0501010100	5/8 UNC X 2 C S G.5 BOLT	13	19
21	0503010019	1/2" SPRING WASHER	26	54
22	0503010060	1/2" NUT	26	54
23	0621010002	CULTIVATOR HOES	13	19
24	0501011962	7/16" X 1-1/4" BOLT	26	38
25	0501012803	FLAT WASHER	26	38
26	0503010180	7/16" SPRING WASHER	26	38
27	0503010244	7/16" NUT	26	38
28	0501047894	ARCH KIT	13	19
28A	0501016738	TURNBUCKLE LARGER BODY	01	01
28B	0501016739	TURNBUCKLE MIDDLE BODY	01	01

Item	Code	Description	13 19
28C	0501016774	SMALLER TURNBUCLE BODY	01 01
28D	0501016775	SPINDLE CLAMP	01 01
29	0501010497	5/8" SMALLER STAPLE GUIDE	13 19
30	0521010670	5/8" FASTENER	26 38
31	0501011963	7/16" X 1-1/2" BOLT	13 19
32	0511016905	FRAME LOCK	00 04
33	0521010656	1/2" X 4.3" X 3.3" FASTENER	00 08
34	0511017302	FLAT WASHER	00 16



email: civemasa@civemasa.com.br

www.civemasa.com.br

Phone: +55 16.3382.8222

Fax: +55 16.3382.8355

MARCHESAN IMPLEMENTOS E MÁQUINAS AGRÍCOLAS "TATU" S.A.

Av. Marchesan, 1979 - Post Office box, 131 - Cep 15994-900 - Matão - Sp - Brasil

CNPJ 52.311.289/0001-63 | Inst. Est.441.000.151.114

Technical Publications: Elaboration

MARINA PEREZ NIZA

Technical Publications: Revision

ALESSANDRA PATRICIA KAWAHARA CARRILI

Contact Catálogo:

E-mail = jgaspari@marchesan.com.br

ORIGINAIS PARTS
CIVEMASA