

**DISK HARROWS**

**GPCR 16/18/20/24/30D**  
**GPCR 16/18/20/24/30D**

**Code:** 0501091598  
**Series:** S-0301  
**Revision:** 00  
**Revision Date:** AUGUST/2021

**PARTS**  
**CATALOGUE**

***CIVEMASA***

# PRODUCTS

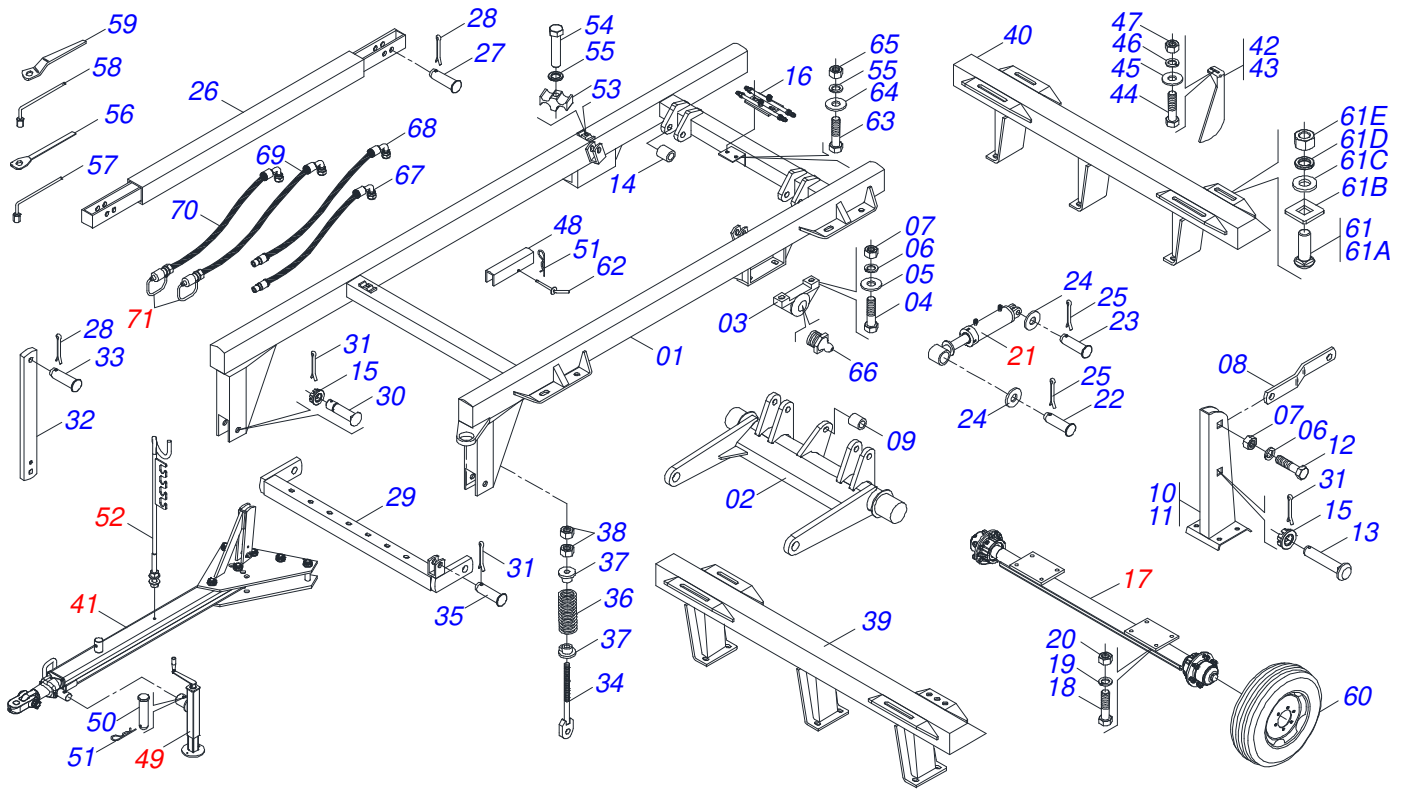
Code	Working Width	Description
0121010013		GPCR 16 X 28 X 7,50 DM S-0301
0121010009		GPCR 18 32X9,0 REC DM DESM 61470092
0121010124		GPCR 18 X 34 X 9,00MM DM ESP S0301
0121010001		GPCR 20 28X7,5 REC DM DESM 61470029
0121010015		GPCR 20 32X12,0 REC DM S-0301
0121010008		GPCR 20 32X9,0 REC DM DESM 61470083
0121010128		GPCR 20 X 34 X 9,00 DM S-0301
0121010003		GPCR 24 28X7,5 REC DM DESM 61470047
0121010006		GPCR 24 32X9,0 REC DM DESM 61470065
0121010012		GPCR 30 X 32 X 9,00 CM S-0301
0121010014		GPCR 30 X 32 X 9,00 DM S-0301
0121010016		GPCR 30 X 34 X 9,00 DM S-0301

## ATTENTION: IMPORTANT

CIVEMASA reserves the right to improve and/or modify the technical features of its products, without obligation to do the same with those products already sold and without prior knowledge of the dealer or the customer. The photos are only illustrative.

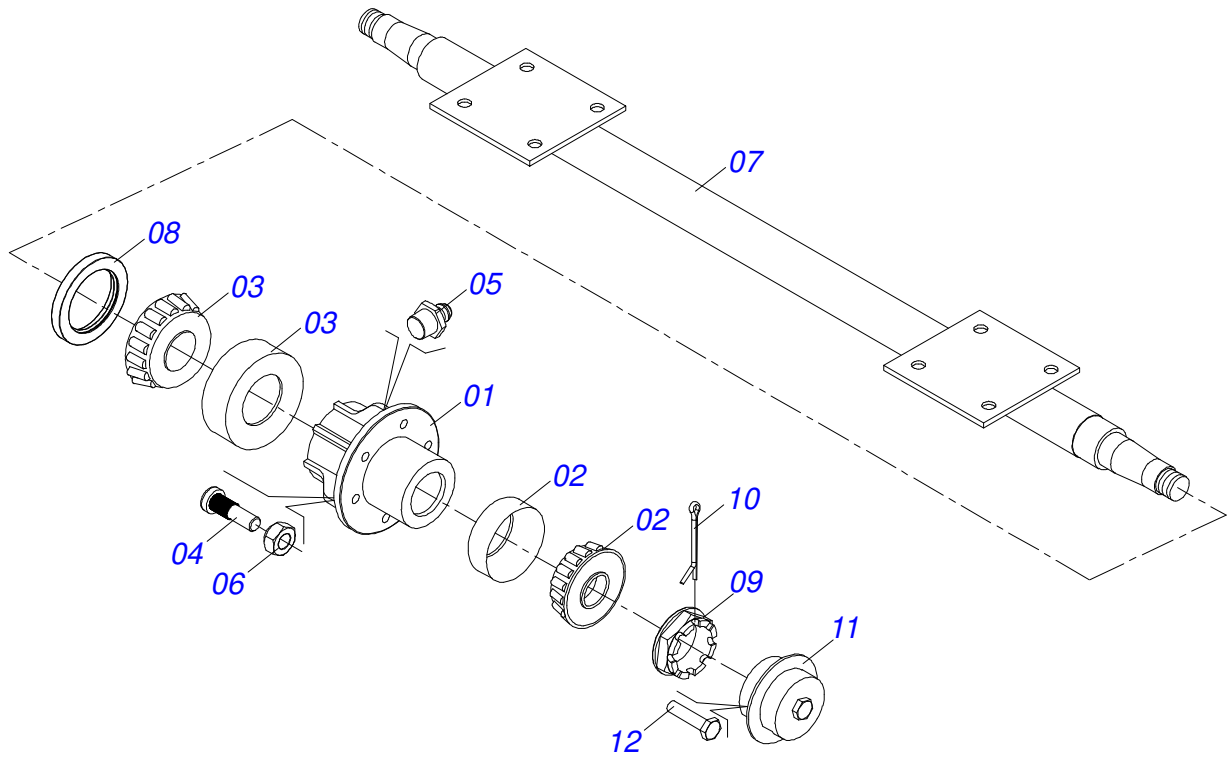
# INDEX

0909099183	ASSY FRAME 16/18/20/24/30D	.....	1
0501047809	3" X 85"STUB SHAFT & HUB ASSY	.....	2
0511059181	HYDRAULIC CYLINDER 50,80 X 101,60 X 515 X 248	.....	3
0511041570	DRAWBAR ASSY 3"	.....	4
0511048088	DRAWBAR JACK	.....	5
0501040257	ASSY 3/4 X 38 HOSE SUPPORT	.....	6
0503060005	29.5"X0.63"-10L WHEEL WITH TIRE ASSY	.....	7
0501053834	MALE QUICK COUPLER	.....	8
0909099188		.....	9
0501046926	BEARING	.....	10
0501046917	CM GX 330 X 2.1/8 C/PROT IMP BEARING	.....	11

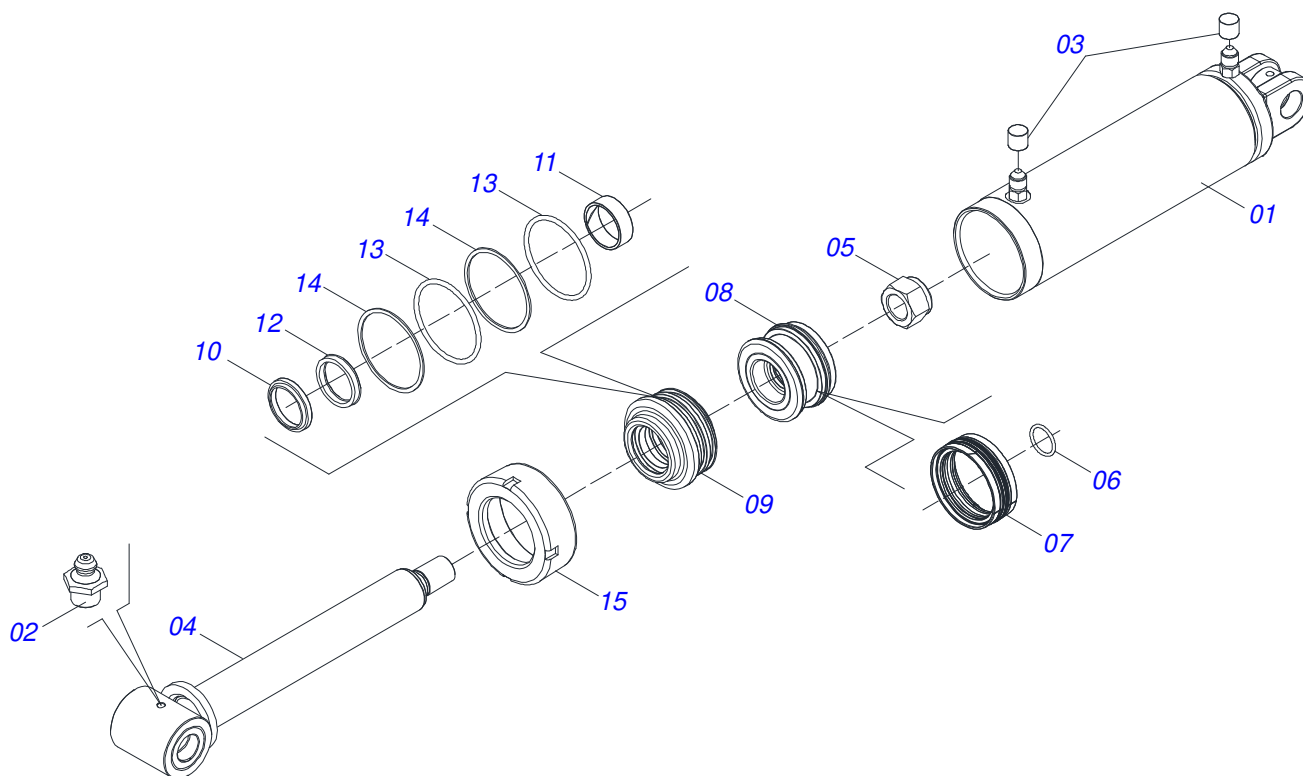


Item	Code	Description	See page	16	18	20	24	30
01	0521063448	FRAME RSPR 10A16		01	01	00	00	00
01.	0521063924	FRAME		00	00	01	01	01
02	0501067244	WHEELS		01	01	01	01	01
03	0502010972	ARTICULACION BEARING		02	02	02	02	02
04	0503011432	BOLT		06	06	06	06	06
05	0501010065	1" SPRING WASHER		04	04	04	04	04
06	0503011438	SPRING WASHER		12	12	12	12	12
07	0501010059	1.5/8 NUT		08	08	08	08	08
08	0501110404	SUPPORT BAR		02	02	02	02	02
09	0511019921	1.3" X 0.1" X 1" SLEEVE		02	02	02	02	02
10	0501068260	RIGHT SUSPENSION TOWER		01	01	01	01	01
11	0501068261	LEFT SUSPENSION TOWER		01	01	01	01	01
12	0511017974	1" U BOLT SUSPENSION TOWER		02	02	02	02	02
13	0511018006	1-1/2 X 4.13" U BOLT OF SUSP TOWER		02	02	02	02	02
14	0521010737	50,4/50,6X 38,5 X 35 SLEEVE		06	06	06	06	06
15	0501011301	1.1/2" UNC 6FPP 2.5/16" NUT		09	09	09	09	09
16	0501068706	DOUBLE CONNECTION		01	01	01	01	01
17	0501047809	3" X 85"STUB SHAFT & HUB ASSY	2	02	02	02	02	02
18	0501010098	BOLT 3/4" UNC X 2 C S G.5 ZN		08	08	08	08	08
19	0503011442	3/4" SPRING WASHER		08	08	08	08	08
20	0503010014	3/4" ZN G.5 (HEAVY) UNC HEX NUT		08	08	08	08	08
21	0511059181	HYDRAULIC CYLINDER 50,80 X 101,60 X 515 X 248	3	02	02	02	02	02
22	0521010547	1.2" X 6.5" COUPLING SHAFT		02	02	02	02	02
23	0511810174	COUPLING SHAFT		02	02	02	02	02
24	0501017779	FLAT WASHER 32 X 60 X 4,75		04	04	04	04	04
25	0503010523	1/4" X 2" SPLIT PIN		07	07	07	07	07
26	0501067243	STABILIZER BAR		01	01	01	01	01
27	0521010575	C0.9" X 3.3" COUPLING SHAFT		02	02	02	02	02
28	0503010571	1/4" X 1.1/2" SPLIT PIN		04	04	04	04	04
29	0501067241	OFFSET BAR		01	01	01	01	01

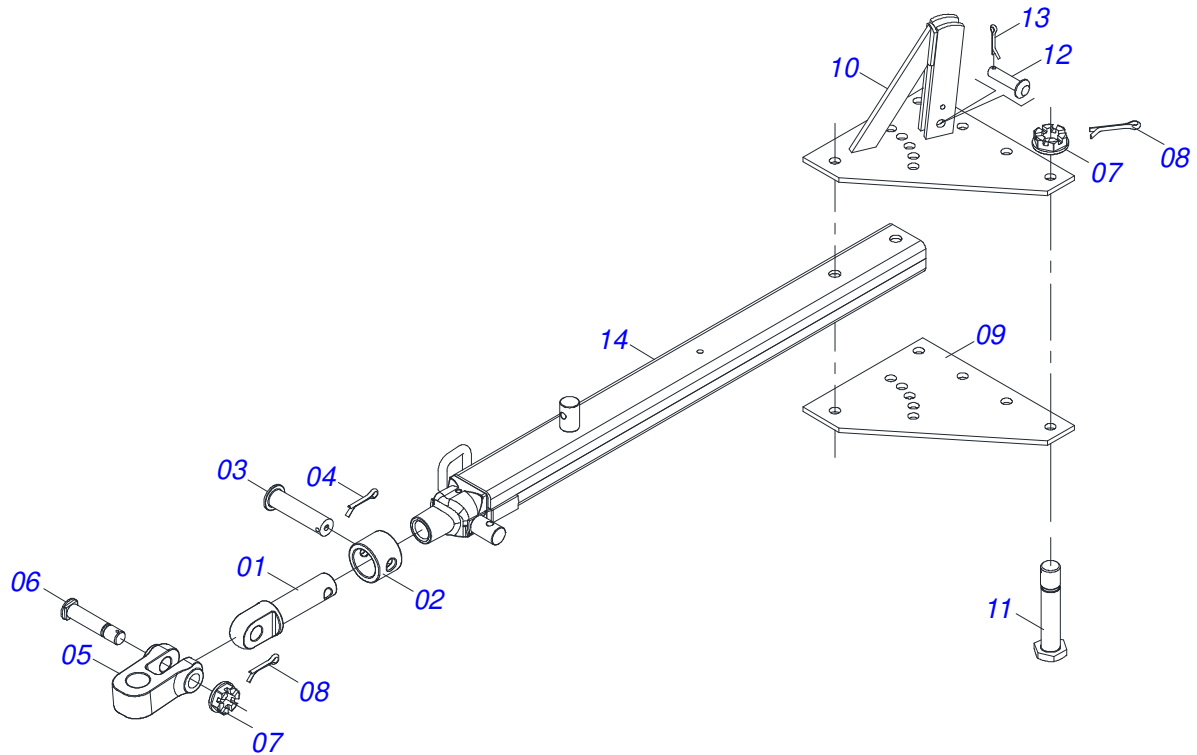
Item	Code	Description	See page	16	18	20	24	30
30	0521812052	PIVOT SHAFT		02	02	02	02	02
31	0503010534	3/8" X 2.1/2" SPLIT PIN		02	02	02	02	02
32	0511016121	STABILIZER BAR TOWER		01	01	01	01	01
33	0521810575	COUPLING SHAFT		02	02	02	02	02
34	0501066362	SPRING ROD		01	01	01	01	01
35	0521010592	1.1" X 3.1" COUPLING SHAFT		01	01	01	01	01
36	0503031341	2.7 X 8 X 0.5 COMPRESSION SPRING		01	01	01	01	01
37	0502020394	SPRING SUPPORT		02	02	02	02	02
38	0501010087	1.1/4" NUT		02	02	02	02	02
39	0521064607	FRONT FRAME		01	00	00	00	00
39.	0531060277	FRONT FRAME - 14D		00	01	00	00	00
39..	0521064611	FRONT FRAME - 20D		00	00	01	00	00
39...	0521064613	FRONT FRAME - 24D		00	00	00	01	00
39....	0521065986	FRAME FRONT - 30		00	00	00	00	01
40	0521064608	REAR FRAME		01	00	00	00	00
40.	0531060276	REAR FRAME - 14D		00	01	00	00	00
40..	0521064612	REAR FRAME - 20D		00	00	01	00	00
40...	0521064614	REAR FRAME - 24D		00	00	00	01	00
40....	0521065995	REAR FRAME - 30D		00	00	00	00	01
41	0511041570	DRAWBAR ASSY 3"	4	01	01	01	01	01
42	0501060423	FRONT SCRAPER		08	09	10	12	15
43	0501060424	REAR SCRAPER		08	09	10	12	15
44	0503010233	5/8" X 2-1/2" BOLT		16	18	20	24	30
45	0501012140	FLAT WASHER 16,50 X 40 X 4,00 ZN		16	18	20	24	30
46	0503010027	5/8 SPRING WASHER		16	18	20	24	30
47	0503010013	5/8" UNC G.5 ZN HEX NUT		16	18	20	24	30
48	0501066386	TRANSPORT LOCK 9.54"		02	02	02	02	02
49	0511048088	DRAWBAR JACK	5	01	01	01	01	01
50	0561014251	COUPLING SHAFT		01	01	01	01	01
51	0503030168	HITCH PIN CLIP		02	02	02	02	02
52	0501040257	ASSY 3/4 X 38 HOSE SUPPORT	6	01	01	01	01	01
53	0502012702	BODY SUPPORT CLAMP		02	02	02	02	02
54	0503012555	SCREW 7/16 UNC X 2 CS RT G.7 ZN		03	03	03	03	03
55	0503010180	7/16" SPRING WASHER		03	03	03	03	03
56	0501061044	2-1/8" AND 2-1/2" CABLE FLAT WRENCH		01	01	01	01	01
57	0501061045	1" WRENCH CYLINDRICAL		01	01	01	01	01
58	0503016137	1-1/4" WRENCH CABLE CYLINDER		01	01	01	01	01
59	0501011432	1-1/2" AND 1-5/8 GANG BOLT WRENCH		01	01	01	01	01
60	0503060005	29.5"X0.63"-10L WHEEL WITH TIRE ASSY	7	04	04	04	04	04
61	0501041102	1-1/4" X 3-3/4" ASSY BOLT		08	08	08	08	08
61A	0501015348	1-1/4" X 3-3/4" BOLT		08	08	08	08	08
61B	0501010953	1-1/4" SQUARE WASHER		08	08	08	08	08
61C	0531010713	FLAT WASHER		08	08	08	08	08
61D	0503010070	SPRING WASHER		08	08	08	08	08
61E	0501010087	1.1/4" NUT		08	08	08	08	08
62	0501068994	8,30 X 78 LOCK PIN		02	02	02	02	02
63	0503010237	3/8" X 1" BOLT		02	02	02	02	02
64	0501010984	10,50 X 27 X 3,00 FLAT WASHER		02	02	02	02	02
65	0503010026	3/8" NUT		02	02	02	02	02
66	0503010002	1800 GREASE FITTING		05	05	05	05	05
67	0501080054	3/8" X 17" TR-TC HOSE ASSY		02	02	02	02	02
68	0501080413	3/8" X 27" TR-TC HOSE		02	02	02	02	02
69	0501080458	3/8" X 315" TC-TM HOSE ASSY		01	01	01	01	01
70	0501080459	3/8" X 322" TC-TM HOSE ASSY		01	01	01	01	01
71	0501053834	MALE QUICK COUPLER	8	02	02	02	02	02
72	0503010025	3/8 SPRING WASHER		02	02	02	02	02



Item	Code	Description	See page	QT
01	0502011389	BOX		02
02	0503010006	32210 ROLLER BEARING		02
03	0503010005	32212 ROLLER BEARING		02
04	0501010186	WHEEL BOLT 5/8"UNF X 2.1/8CR		12
05	0503010002	1800 GREASE FITTING		02
06	0503010064	5/8 UNF CONIC NUT		12
07	0501067004	3" X 85" AXLE		01
08	0503011866	SEAL 00573-B WITH HOLE		02
09	0501010888	1.3/4" 2.5/16" CASTLE NUT		02
10	0503010010	SPLIT PIN 1/4" X 2.1/2"		02
11	0502020593	COVER		02
12	0503010295	SCREW 5/16 UNC X 5/8 CS G.2 ZN		02

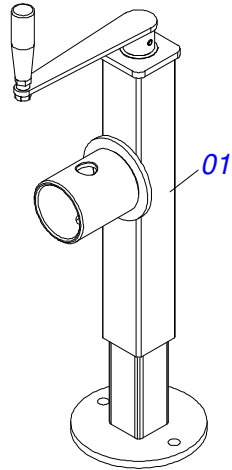


Item	Code	Description	See page	QT
01	0501067256	4" X 16" CYLINDER CASE		01
02	0503010002	1800 GREASE FITTING		02
03	0503030385	CYLINDER PLUG N-002		02
04	0521066345	50,80 X 452 TURNBUCLE		01
05	0503010817	SELF LOCKING NUT 1.1/4 UNF ALTA G.5 ZN		01
06	0503010345	2-218 N 3006-9B O-RING		01
07	0503015633	SELEMASTER SEALING		01
08	0502012842	50,80 X 101,60 PISTON		01
09	0581010678	50,80 X 101 RING SUPPORT		01
10	0503015636	SCRAPER SEAL		01
11	0503018025	RING GUIDE W2-2250-750		01
12	0503018026	GASKET 1870-2000-375 B POLYMAX		01
13	0503010338	2-342 N 3006-9B O-RING		02
14	0503011061	8-342 BACK-UP RING		02
15	0502012822	END CAP 4"		01

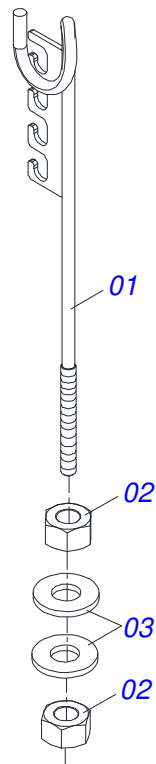


Item	Code	Description	See page	QT
01	0502040223	DRAWBOLT		01
02	0502040327	HITCH LOCK RING		01
03	0511014902	COUPLING SHAFT		01
04	0503010571	1/4" X 1.1/2" SPLIT PIN		01
05	1902040733	U COUPLING HOOK		01
06	0521012545	COUPLING SHAFT		01
07	0501011301	1.1/2" UNC 6FPP 2.5/16" NUT		07
08	0503010010	SPLIT PIN 1/4" X 2.1/2"		07
09	0511016137	UPPER /LOWER PLATE		01
10	0501067250	UPPER PLATE WITH SUPPORT		01
11	0501016419	1-1/2" X 7.5" BOLT		06
12	0521010779	31.75 X 95 COUPLING SHAFT		01
13	0503010523	1/4" X 2" SPLIT PIN		01
14	0501069323	TRACTION BAR		01

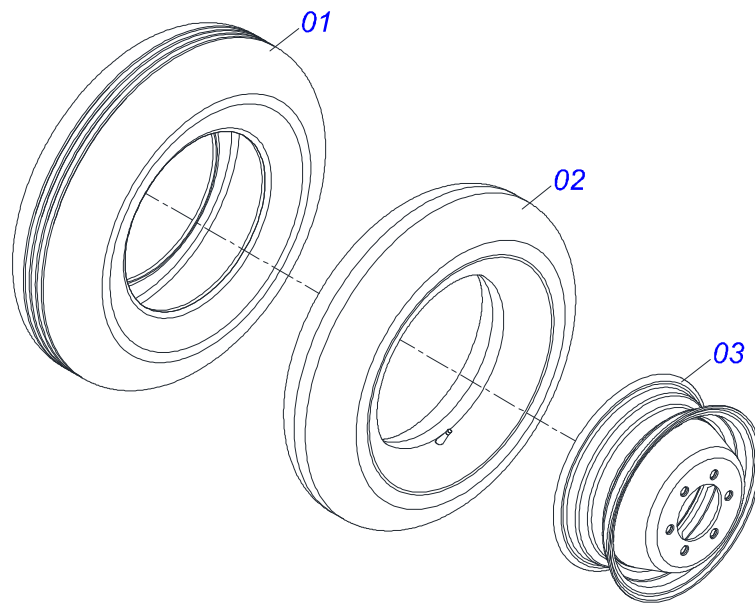




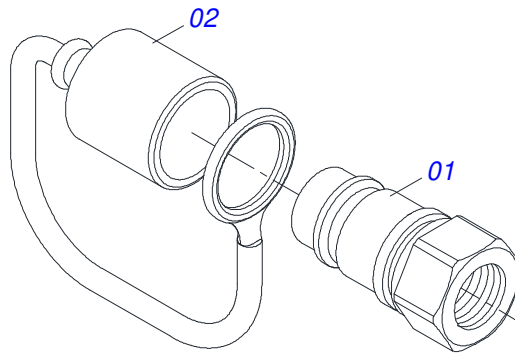
Item	Code	Description	See page	QT
01	0503062227	DRAWBAR JACK		01



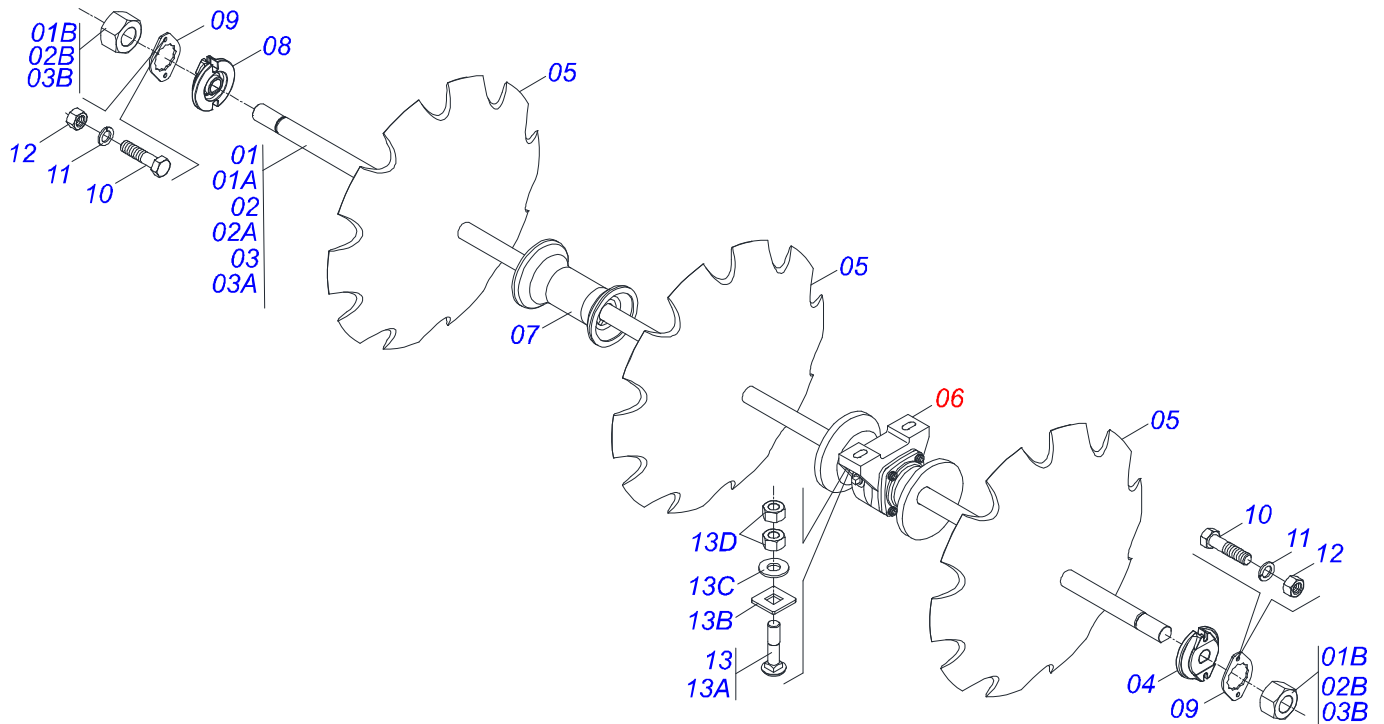
Item	Code	Description	See page	QT
01	0511067334	HOSE SUPPORT		01
02	0503010014	3/4" ZN G.5 (HEAVY) UNC HEX NUT		02
03	0501010322	20,50 X 46 X 4,00 ZN FLAT WASHER		02



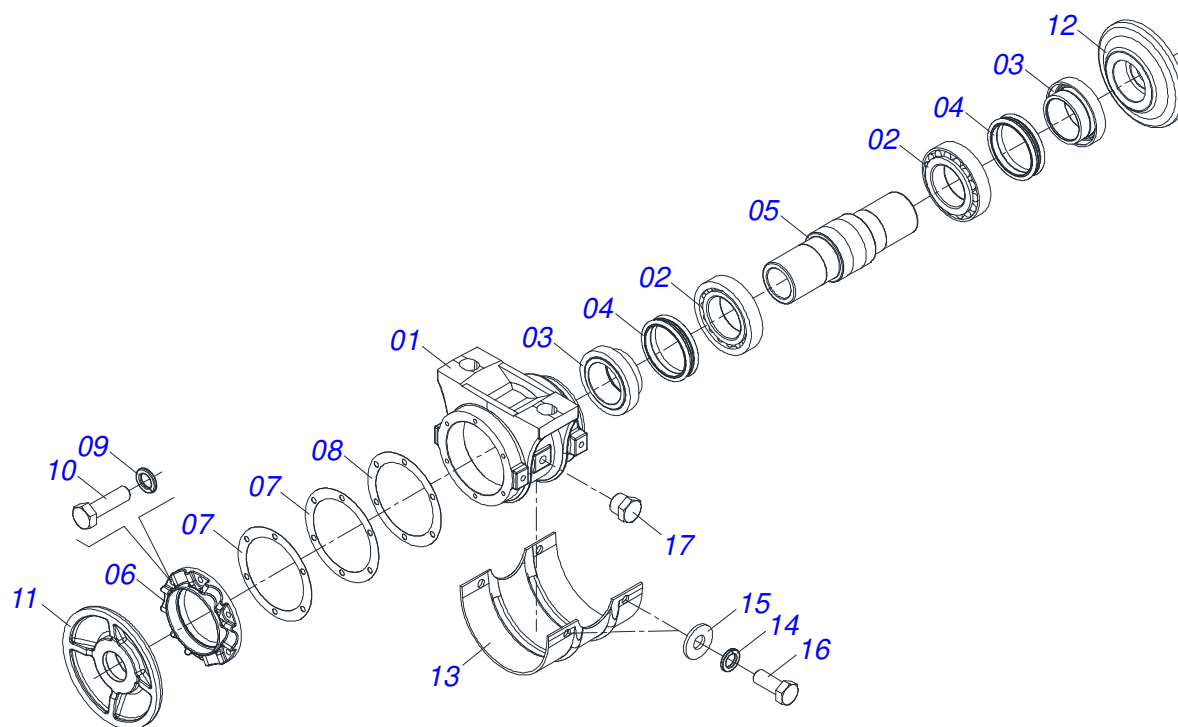
Item	Code	Description	See page	QT
01	0503010120	CANVAS TIRE		01
02	0503010033	7.50 X 16 INNER TIRE		01
03	0501061845	0.2"X0.6"X5.1"X6F0.6"X6.8"-D WHEEL		01



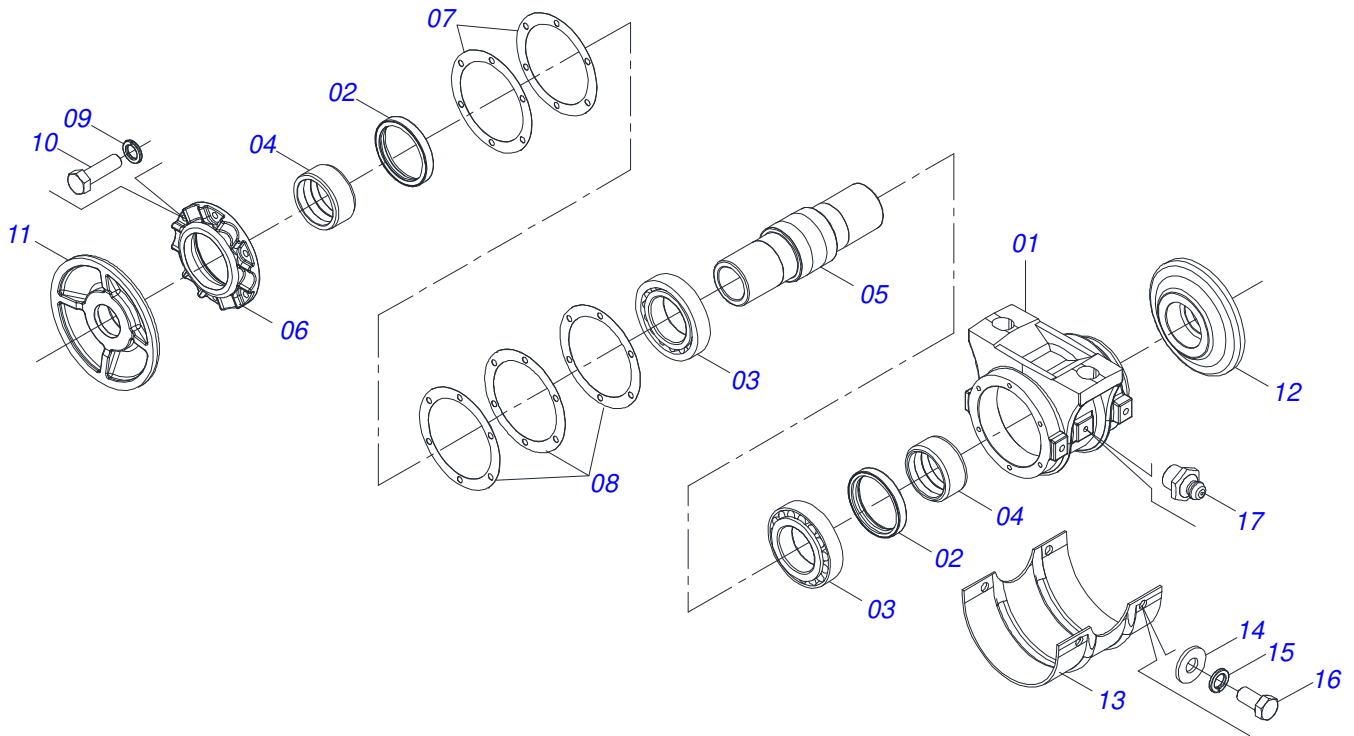
Item	Code	Description	See page	QT
01	0503011627	MALE QUICK COUPLER AGR 1/2 NPT		01
02	0503011882	MALE QUICK COUPLER CAP		01



Item	Code	Description	See page	16	18	20	24	30
01	0501041515	2-1/8" X 102" AXLE WITH NUTS		02	00	00	00	00
01A	0501013761	2-1/8" X 102" AXLE		01	00	00	00	00
01B	0502040063	2-1/8" X 54 99 NUT		02	00	00	00	00
02	0511047064	2-1/8" X 1580 AXLE		00	02	02	00	02
02A	0551017147	2-1/8" X 1580 AXLE		00	01	01	00	01
02B	0502040063	2-1/8" X 54 99 NUT		00	02	02	00	02
03	0511042123	2-1/8" X 76" AXLE WITH NUTS		00	00	00	04	00
03A	0501013759	2-1/8" X 76" AXLE		00	00	00	01	00
03B	0502040063	2-1/8" X 54 99 NUT		00	00	00	02	00
04	0502010594	2-1/8" EXTERNAL AXLE WASHER		02	02	04	06	00
05	0602037002	28" X 0.3" NOTCHED DISC BLADE		16	00	00	12	00
05.	0602046013	34" X 0.3" NOTCHED DISC BLADE		00	18	00	00	00
05..	0602044200	DR32X12 C120AF04FR2.3/16 10REC TATU		00	00	20	00	00
05...	0602044001	32" X 0.3" NOTCHED DISC BLADE		00	00	00	30	00
06	0501046926	BEARING	10	08	08	08	08	12
06.	0501046917	CM GX 330 X 2.1/8 C/PROT IMP BEARING	11	08	08	08	08	00
07	0502010643	13" 2-1/8" SPACER		06	08	08	12	12
08	0502010595	2-1/8" INNER AXLE WASHER		02	02	04	04	06
09	0501010348	2-1/8" TO 2-1/2" NUT LOCK		08	08	08	08	12
10	0503010232	5/8" X 1.3/4" BOLT		16	16	16	16	24
11	0503010027	5/8 SPRING WASHER		16	16	16	16	24
12	0503010013	5/8" UNC G.5 ZN HEX NUT		16	16	16	16	24
13	0501042139	1" X 4.3" ASSY BOLT		16	16	16	16	24
13A	0501010952	1" X 4.3" BOLT		16	16	16	16	24
13B	0501010951	1" SQUARE WASHER		16	16	16	16	24
13C	0501011445	FLAT WASHER		16	16	16	16	24
13D	0501010059	1.5/8 NUT		32	32	32	32	48



Item	Code	Description	See page	QT
01	0502010742	HOUSING DM		01
02	0503010117	32216 ROLLER BEARING		02
03	0502040123	SEAL RETAINER		02
04	0503030028	JB-257 SEAL		02
05	0502040034	BEARING AXLE		01
06	0502010645	HOUSING CAP DM		01
07	0503030536	7.1" X 5.5" X 0.01" JOINT		02
08	0503030686	7.1" X 5.5" X 0.004" JOINT		01
09	0503011443	SPRING WASHER 3/8"		06
10	0503010751	C3/8" X 1.1/4" HEX BOLT G.5		06
11	0502040260	OUTER FLANGE		01
12	0502040261	INNER FLANGE		01
13	0511013169	PROTECTION COVER BEARING		01
14	0503010019	1/2" SPRING WASHER		04
15	0511017302	FLAT WASHER 13,50 X 32,50 X 3,0 ZN		04
16	0503010834	1/2 X 1 BOLT		04
17	0503010856	OIL PLUG R 3/8 BSPT		02

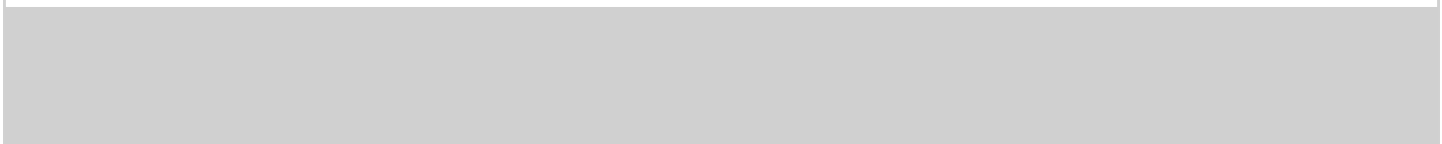


Item	Code	Description	See page	QT
01	0502010739	HOUSING CM		01
02	0503010094	02060-GB SEAL		02
03	0503010117	32216 ROLLER BEARING		02
04	0521010488	SPACER		02
05	0502040034	BEARING AXLE		01
06	0502010661	HOUSING CAP CM		01
07	0503030686	7.1" X 5.5" X 0.004" JOINT		01
08	0503030536	7.1" X 5.5" X 0.01" JOINT		02
09	0503011443	SPRING WASHER 3/8"		06
10	0503010751	C3/8" X 1.1/4" HEX BOLT G.5		06
11	0502040260	OUTER FLANGE		01
12	0502040261	INNER FLANGE		01
13	0511013169	PROTECTION COVER BEARING		01
14	0511017302	FLAT WASHER 13,50 X 32,50 X 3,0 ZN		04
15	0503010019	1/2" SPRING WASHER		04
16	0503010834	1/2 X 1 BOLT		04
17	0503010002	1800 GREASE FITTING		02
18	1882970002	GREASE		0,8 Kgs



# **ANNOTATION**

A series of horizontal lines for writing, starting below the title and extending to the bottom of the page.







***civemasa***

**Technical Publications | Elaboration and Revision**

MARINA PEREZ NIZA

[www.civemasa.com.br](http://www.civemasa.com.br)

