

DISK HARROWS

GDMC 64/68/72/76/80/84D

Code: 0501091596
Series: S-0813
Revision: 00
Revision Date: FEVEREIRO/2016

PARTS CATALOGUE

CIVEMASA




PRODUCTS

Code	Description
0120900030	GDMC 64 X 22 X 4,50 DM PA S-0813
0120900031	GDMC 68 X 22 X 4,50 DM PA S-0813
0120900032	GDMC 72 X 22 X 4,50 DM PA S-0813
0120900033	GDMC 76 X 22 X 4,50 DM PA S-0813
0120900034	GDMC 80 X 22 X 4,50 DM PA S-0813
0120900035	GDMC 84 X 22 X 4,50 DM PA S-0813

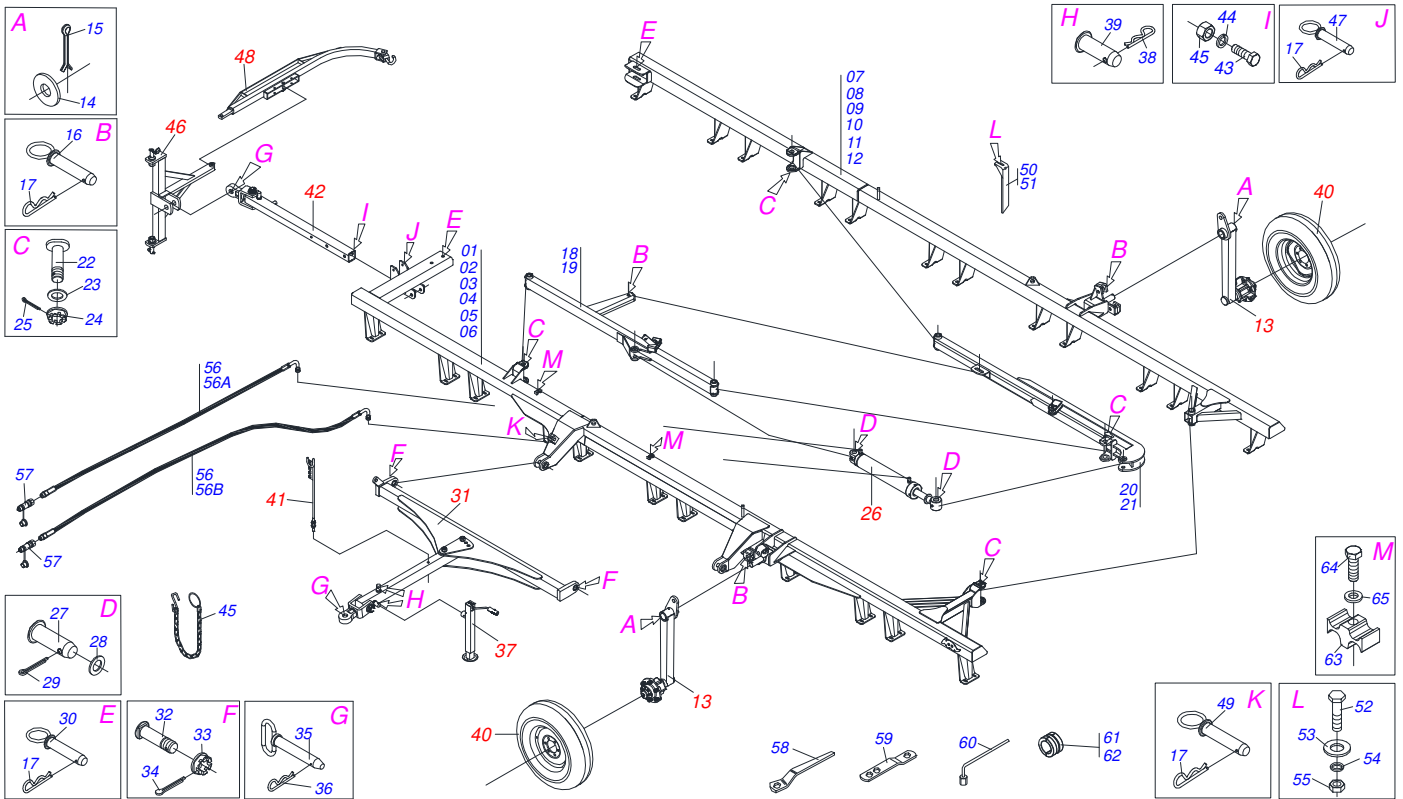
ATTENTION: IMPORTANT

CIVEMASA reserves the right to improve and/or modify the technical features of its products, without obligation to do the same with those products already sold and without prior knowledge of the dealer or the consumer. The photos are only illustrative.



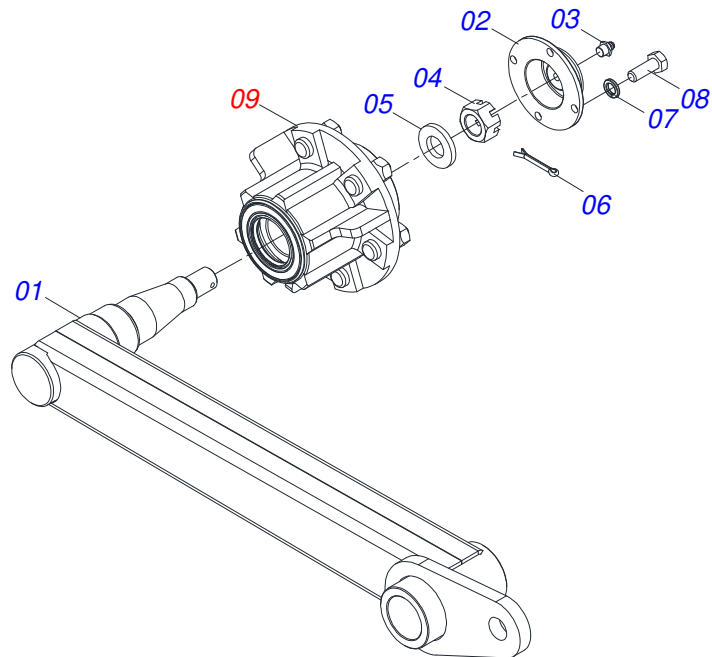
INDEX

0909090152	ASSY FRAME - 64/68/72/76/80/84D	1
0511050078	WHEEL WITH HUB	2
0501051142	CARRYING WHEEL HUB	3
0511048104	44,45 X 85,72 HYDRAULIC CYLINDER	4
0521042319	ASSY HEADER	5
0503062157	HEADER JACK	6
0503060091	L29.5"X0.63"-10L WHEEL AND	7
0501040257	3/4 X 1200 HOSE HOLDER A	8
0501044359	DRAWBAR ASSY	9
0521053943	HITCH WITH ASSY ROTULA SUPPORT	10
0501053527	HEADER WITH EAR HITCH	11
0521042072	FRAME ASSY	12
0501053834	MALE QUICK COUPLER WITH CAP - 1/2 NPT	13
0909090861	64D - DISC SECTION	14
0909090860	68D - DISC SECTION	15
0909090859	72D - DISC SECTION	16
0909090858	76D - DISC SECTION	17
0909090857	80D - DISC SECTION	18
0909090856	84D - DISC SECTION	19
0501047055	BEARING	20

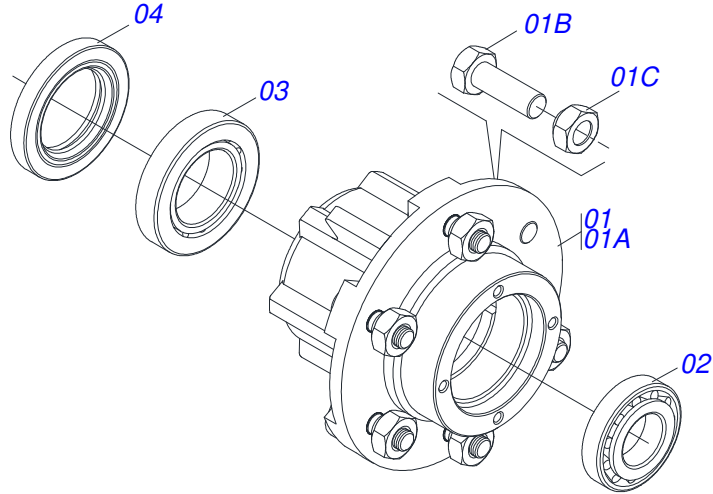


Item	Code	Description	See page	64	68	72	76	80	84
01	0521064103	REAR FRAME		01	00	00	00	00	00
02	0521064105	REAR FRAME		00	01	00	00	00	00
03	0521064107	REAR FRAME		00	00	01	00	00	00
04	0521064109	REAR FRAME		00	00	00	01	00	00
05	0521064111	REAR FRAME		00	00	00	00	01	00
06	0521064113	REAR FRAME		00	00	00	00	00	01
07	0521064136	REAR FRAME		01	00	00	00	00	00
08	0521064137	REAR FRAME		00	01	00	00	00	00
09	0521064138	REAR FRAME		00	00	01	00	00	00
10	0521064139	REAR FRAME		00	00	00	01	00	00
11	0521064140	REAR FRAME		00	00	00	00	01	00
12	0521064141	REAR FRAME		00	00	00	00	00	01
13	0511050078	WHEEL WITH HUB	2	02	02	02	02	02	02
14	0501015875	FLAT WASHER		02	02	02	02	02	02
15	0503010534	3/8 X 2-1/2 COTTERPIN		02	02	02	02	02	02
16	0501068992	0.9" X 4.5" COUPLING SHAFT		03	03	03	03	03	03
17	0503030012	HAIR PIN		06	06	06	06	06	06
18	0521061561	FRONT STABILIZER BAR		01	01	01	00	00	00
19	0521064099	FRONT STABILIZER BAR		00	00	00	01	01	01
20	0521061558	REAR STABILIZER BAR		01	01	01	00	00	00
21	0521064098	REAR STABILIZER BAR		00	00	00	01	01	01
22	0531019497	1.5" X 9.2" ARTICULATED AXIS		03	03	03	03	03	03
23	0531019540	FLAT WASHER		03	03	03	03	03	03
24	0501011301	1.1/2 UNC 6FPP 2.5/16 NUT		03	03	03	03	03	03
25	0503010010	1/4" X 2.1/2" COTTERPIN		03	03	03	03	03	03
26	0511048104	44,45 X 85,72 HYDRAULIC CYLINDER	4	01	01	01	01	01	01
27	0521013077	1.2" X 5.7" PIVOT SHAFT		04	04	04	04	04	04
28	0501010086	FLAT WASHER		04	04	04	04	04	04
29	0503010523	1/4" X 2" COTTERPIN		04	04	04	04	04	04
30	0521064090	COUPLING SHAFT		01	01	01	01	01	01
31	0521042319	ASSY HEADER	5	01	01	01	01	01	01

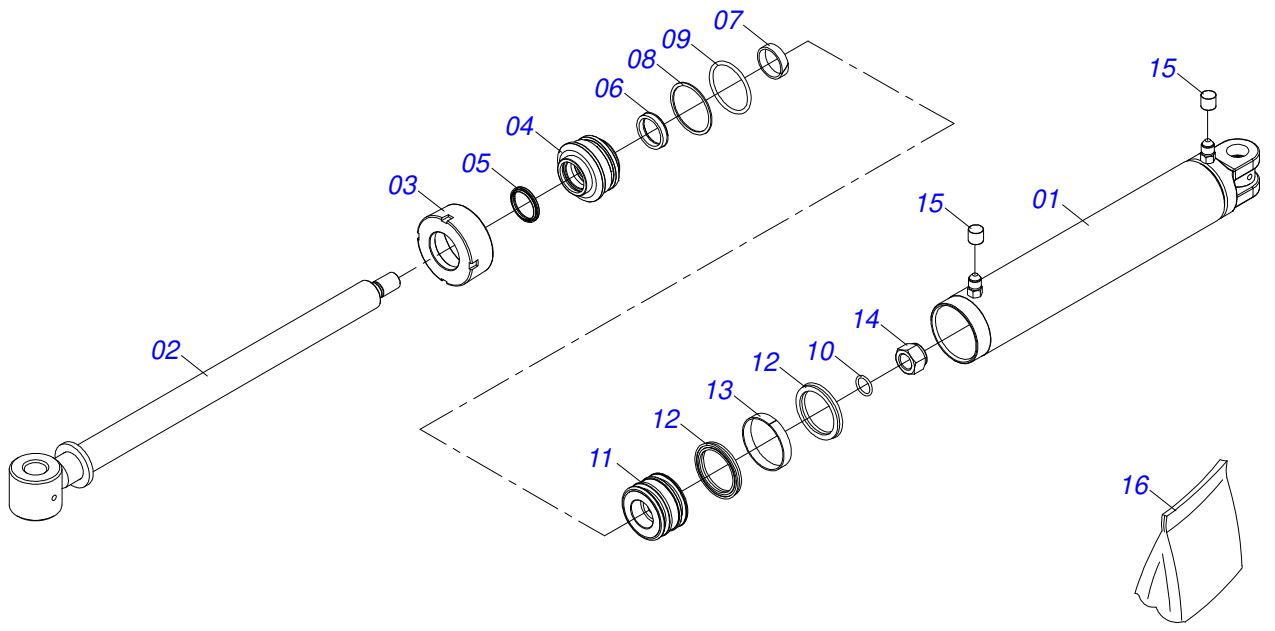
Item	Code	Description	See page	64	68	72	76	80	84
32	0551013708	COUPLING SHAFT		02	02	02	02	02	02
33	0501011301	1.1/2 UNC 6FPP 2.5/16 NUT		02	02	02	02	02	02
34	0503010010	1/4" X 2.1/2" COTTERPIN		02	02	02	02	02	02
35	0501069080	COUPLING SHAFT		01	01	01	01	01	01
36	0503031035	HAIR PIN		01	01	01	01	01	01
37	0503062157	HEADER JACK	6	01	01	01	01	01	01
38	0503030168	HAIR PIN		01	01	01	01	01	01
39	0521010549	COUPLING SHAFT		01	01	01	01	01	01
40	0503060091	L29.5"X0.63"-10L WHEEL AND	7	02	02	02	02	02	02
41	0501040257	3/4 X 1200 HOSE HOLDER A	8	01	01	01	01	01	01
42	0501044359	DRAWBAR ASSY	9	01	01	01	01	01	01
43	0501010334	1" X 7" BOLT		02	02	02	02	02	02
44	0503010012	1" SPRING WASHER		02	02	02	02	02	02
45	0501010059	1.5/8 NUT		02	02	02	02	02	02
46	0501053527	HEADER WITH EAR HITCH	11	01	01	01	01	01	01
47	0521064088	LOCK AXLE		01	01	01	01	01	01
48	0521042072	FRAME ASSY	12	01	01	01	01	01	01
49	0521064089	COUPLING SHAFT		01	01	01	01	01	01
50	0501063962	REAR SCRAPER		23	25	27	27	29	29
51	0501063963	FRONT SCRAPER		23	25	27	27	29	29
52	0503011082	C1/2" X 1.3/4" SCREW		92	100	114	114	116	116
53	0511017302	FLAT WASHER		92	100	114	114	116	116
54	0503010019	1/2" SPRING WASHER		92	100	114	114	116	116
55	0503010060	1/2" NUT		92	100	114	114	116	116
56	0511053553	HOSE KIT		01	01	01	00	00	00
56.	0511053554	HOSE KIT		00	00	00	01	01	01
56A	0501080778	3/8" X 256" TC-TM HOSE ASSY		01	01	01	00	00	00
56A.	0501081360	TC-TM HOSE ASSY		00	00	00	01	01	01
56B	0501080477	HOSE 3/8 X 7012 TC-TM		01	01	01	00	00	00
56B.	0501080458	3/8" X 315" TC-TM HOSE ASSY		00	00	00	01	01	01
57	0501053834	MALE QUICK COUPLER WITH CAP - 1/2 NPT	13	02	02	02	02	02	02
58	0501011432	1-1/2" AND 1-5/8 GANG BOLT WRENCH		02	02	02	02	02	02
59	0501068273	5/8" WRENCH		01	01	01	01	01	01
60	0501061617	1" GANG BOLT WRENCH		01	01	01	01	01	01
61	0501047895	ROD STOP		06	06	06	06	06	06
62	0501047885	ROD STOP		04	04	04	04	04	04
63	0502012702	BODY SUPPORT CLAMP		02	02	02	02	02	02
64	0503012555	SCREW 7/16 UNC X 2 CS RT G.7 ZN		02	02	02	02	02	02
65	0503010180	7/16" SPRING WASHER		02	02	02	02	02	02
66	0503013150	1300 X 3/8 CHAIN		01	01	01	01	01	01



Item	Code	Description	See page	QT
01	0521061622	WHEEL SUPPORT		01
02	0502020591	PROTECCION COVER		01
03	0503010002	1800 GREASE FITTING		01
04	0503030009	1" CASTLE NUT		01
05	0501016545	FLAT WASHER		01
06	0503010018	5/32 X 1-1/2 COTTERPIN		01
07	0503011444	SPRING WASHER		04
08	0503010358	5/16" X 5/8" BOLT		04
09	0501051142	CARRYING WHEEL HUB	3	01

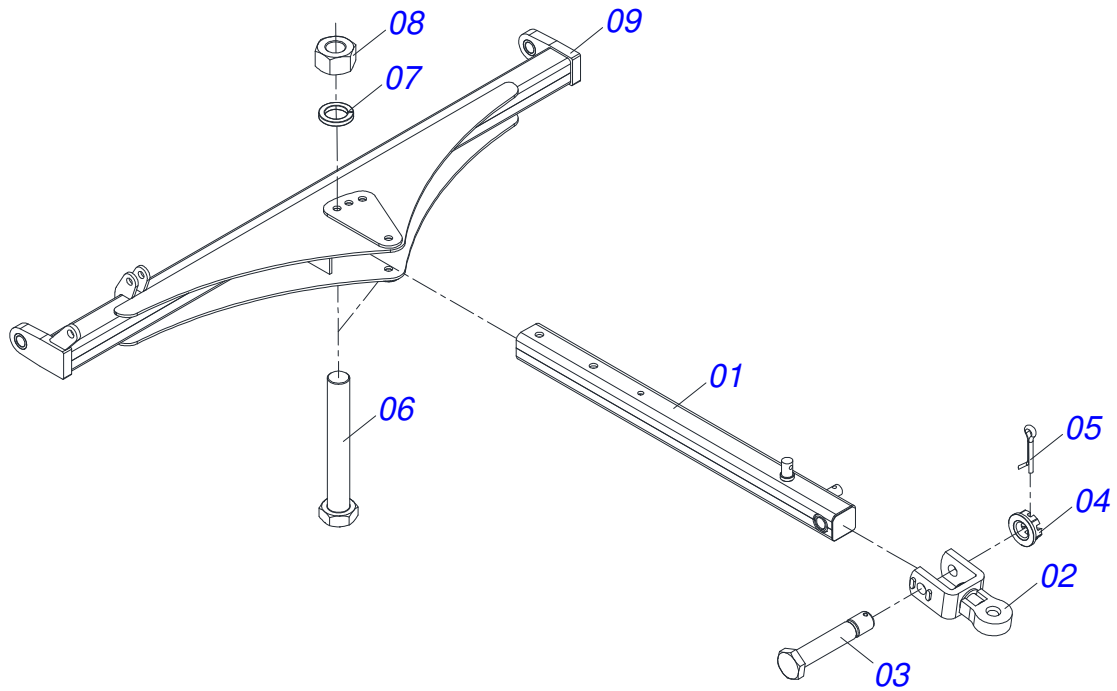


Item	Code	Description	See page	QT
01	0501110728	WHEEL HUB		01
01A	0502011121	CARRYING WHEEL HUB		01
01B	0501010127	9/16" X 1-7/8" LUG BOLT		06
01C	0503010035	9/16" CONIC NUT		06
02	0503010037	30207 ROLLER BEARING		01
03	0503010006	32210 ROLLER BEARING		01
04	0503012928	SEAL		01

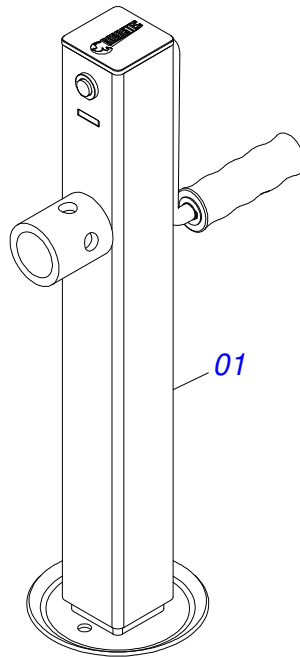


Kit de Reparo

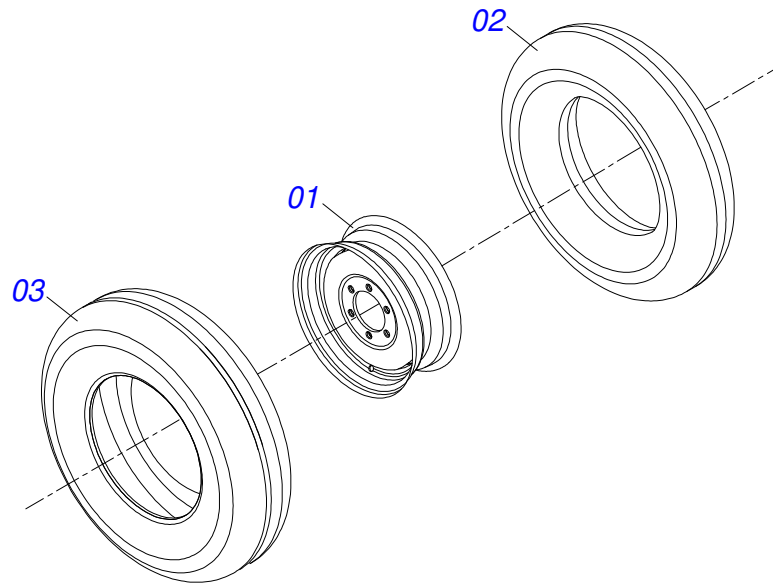
Item	Code	Description	See page	QT
01	0521061064	85,72 X 510 CYLINDER CASE		01
02	0521061065	44,45 X 697 TURNBUCLE		01
03	0502010993	DETACHABLE COVER		01
04	0502010781	RING SUPPORT		01
05	0503010761	D-1750 SCRAPER RING		01
06	0503010990	GASKET		01
07	0503010949	W2-2000-500 PK RING G.E		01
08	0503011060	8-336 BACK-UP RING		01
09	0503010976	2-336 N 3006-9B O'RING		01
10	0503010042	2-214 N 3006-9B O'RING		01
11	0502010843	1.8" X 3.4" PISTON		01
12	0503010170	PACKING 3120 2750		02
13	0503010948	W4-3346-590 PK RING G.E		01
14	0503010063	1" SELF-ALIGNING NUT		01
15	0503030385	CYLINDER PLUG N-002		02
16	0501031796	HYDRAULIC CYLINDER REPAIR KIT		01



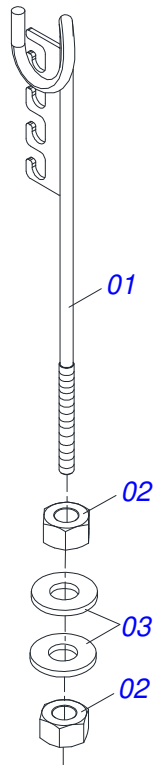
Item	Code	Description	See page	QT
01	0501066715	DRAWBAR ASSY		01
02	0501062869	TRACTOR HITCH		01
03	0501017291	1-1/2" X 8.1" BOLT		01
04	0501011301	1.1/2 UNC 6FPP 2.5/16 NUT		01
05	0503010010	1/4" X 2.1/2" COTTERPIN		01
06	0501010334	1" X 7" BOLT		02
07	0503011438	SPRING WASHER		02
08	0501010059	1.5/8 NUT		02
09	0521064097	OFFSET BAR		01



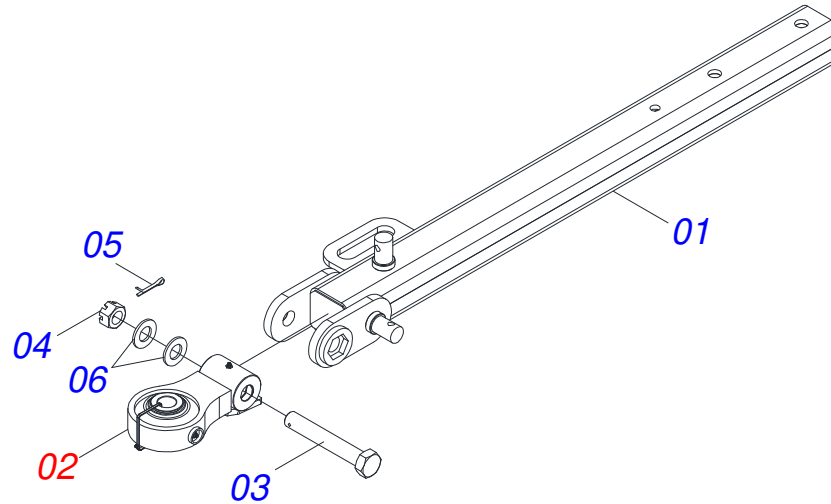
Item	Code	Description	See page	QT
01	0503062157	HEADER JACK	6	01



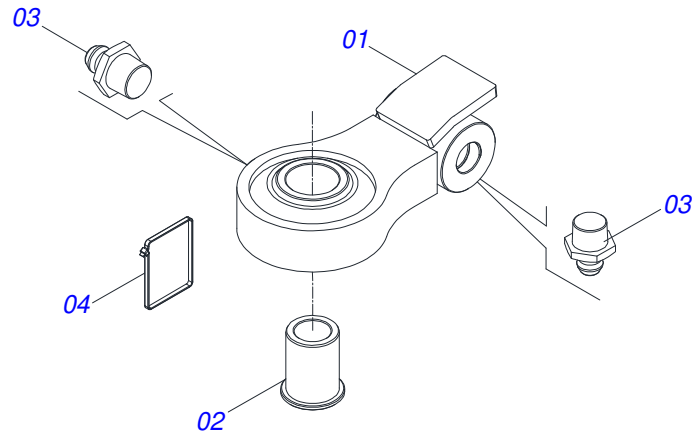
Item	Code	Description	See page	QT
01	0503010893	WHEEL		01
02	0503010033	7.50 X 16 INNER TIRE		01
03	0503010120	CANVAS TIRE		01



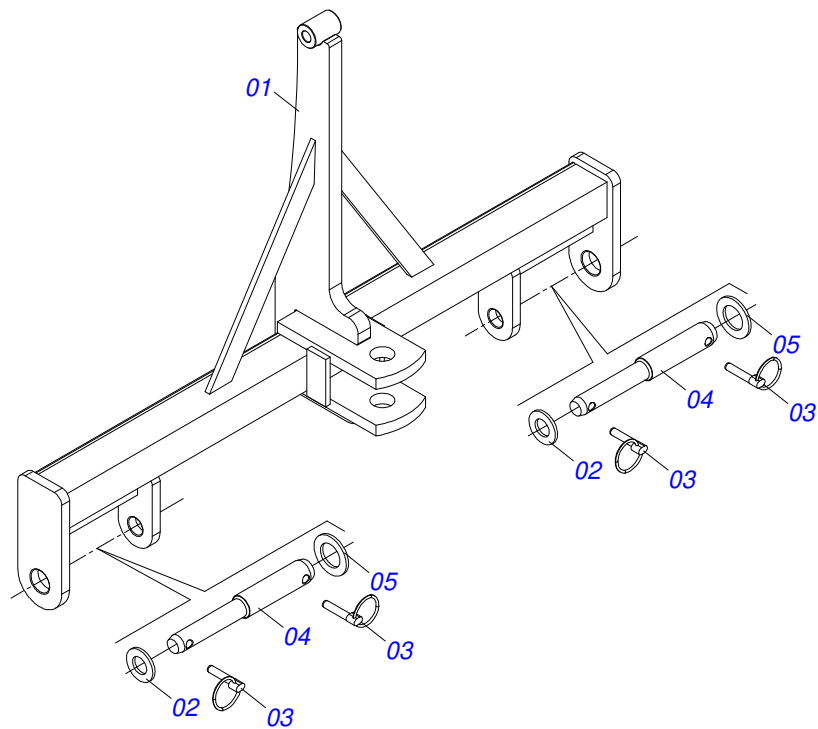
Item	Code	Description	See page	QT
01	0511067334	HOSE SOPPORT ASSY		01
02	0503010014	3/4" NUT		02
03	0501010322	FLAT WASHER		02



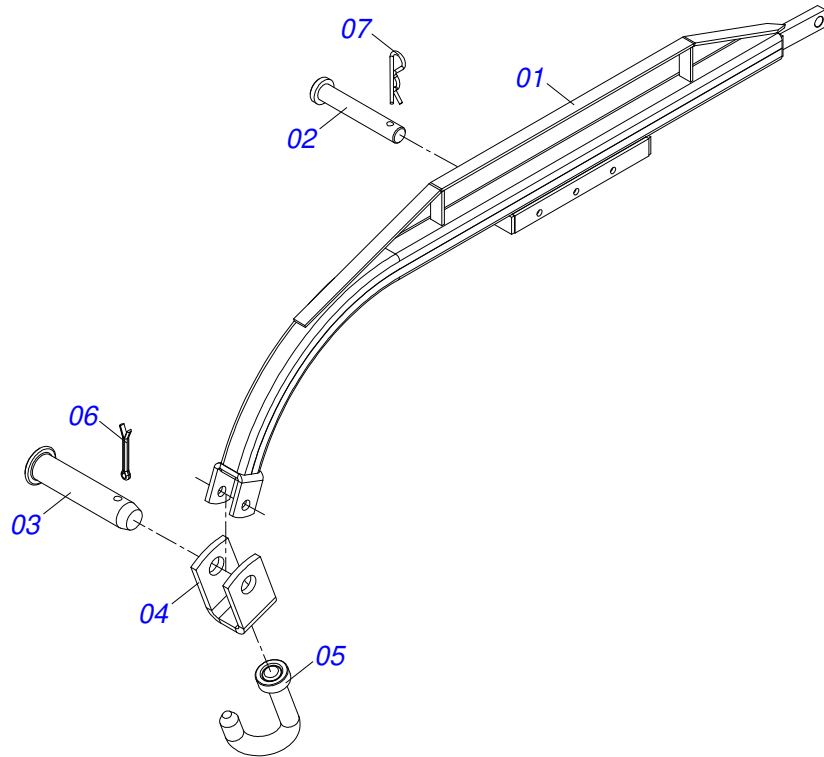
Item	Code	Description	See page	QT
01	0501066715	DRAWBAR ASSY		01
02	0521053943	HITCH WITH ASSY ROTULA SUPPORT	10	01
03	0501017291	1-1/2" X 8.1" BOLT		01
04	0501011301	1.1/2 UNC 6FPP 2.5/16 NUT		01
05	0503010010	1/4" X 2.1/2" COTTERPIN		01
06	0501017779	32 X 60 X 4.75 FLAT WASHER		02



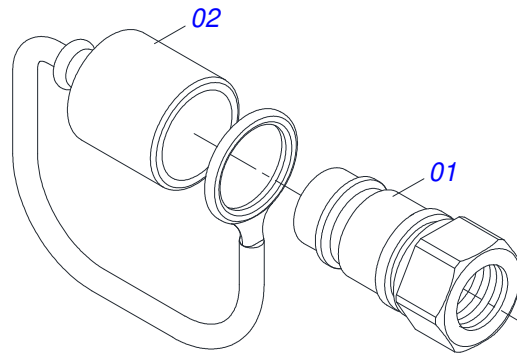
Item	Code	Description	See page	QT
01	0521069166	HITCH		01
02	0581018413	SLEEVE		01
03	0503010002	1800 GREASE FITTING		02
04	0503016033	4.8 X 1.3 X 300 MM NYLON CLAMP		01



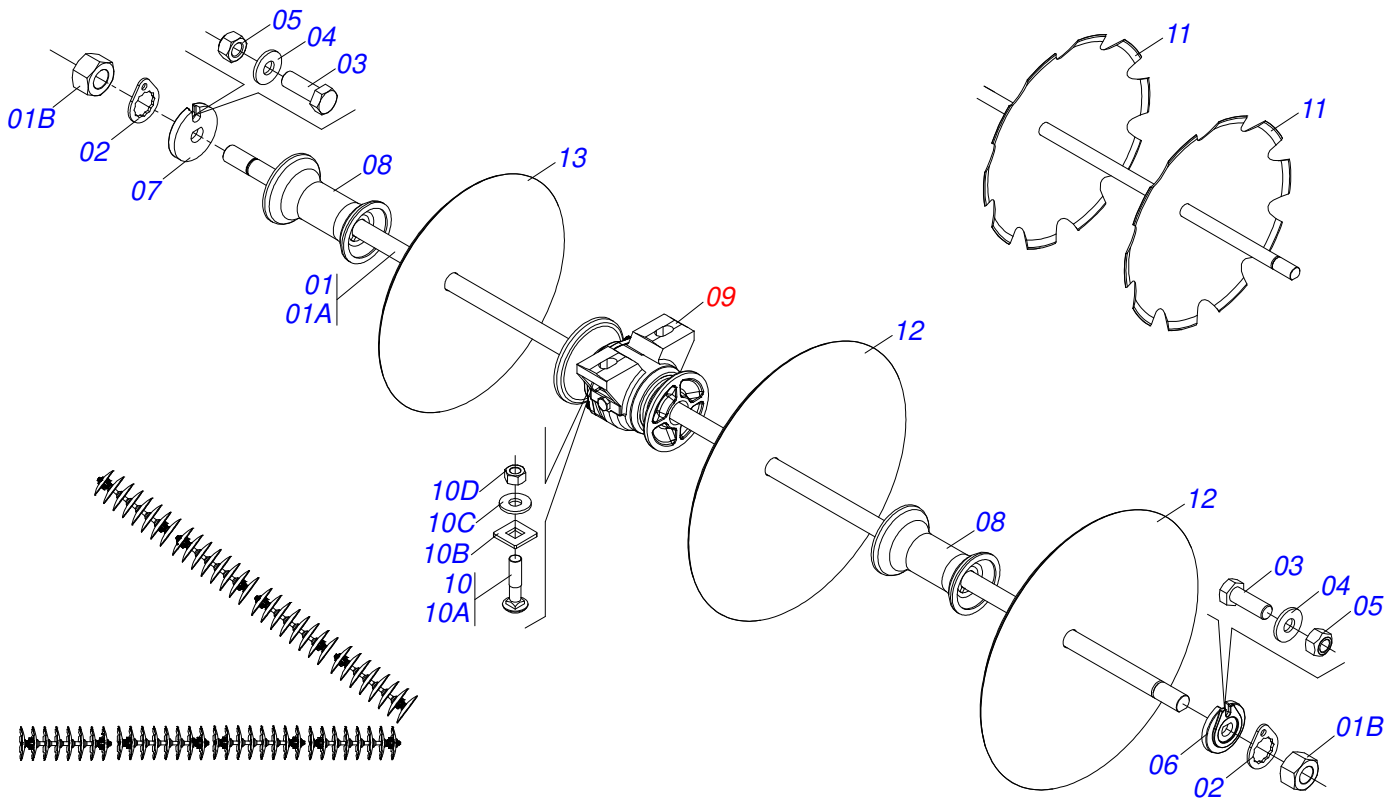
Item	Code	Description	See page	QT
01	0511062944	DRAWBAR		01
02	0501012916	FLAT WASHER 38,50 X 66 X 4,75 ZN		02
03	0503030430	7/16 X 2" PIN LOCK		04
04	0541015542	1.1/8" HITCH AXLE		02
05	0511017480	FLAT WASHER		02



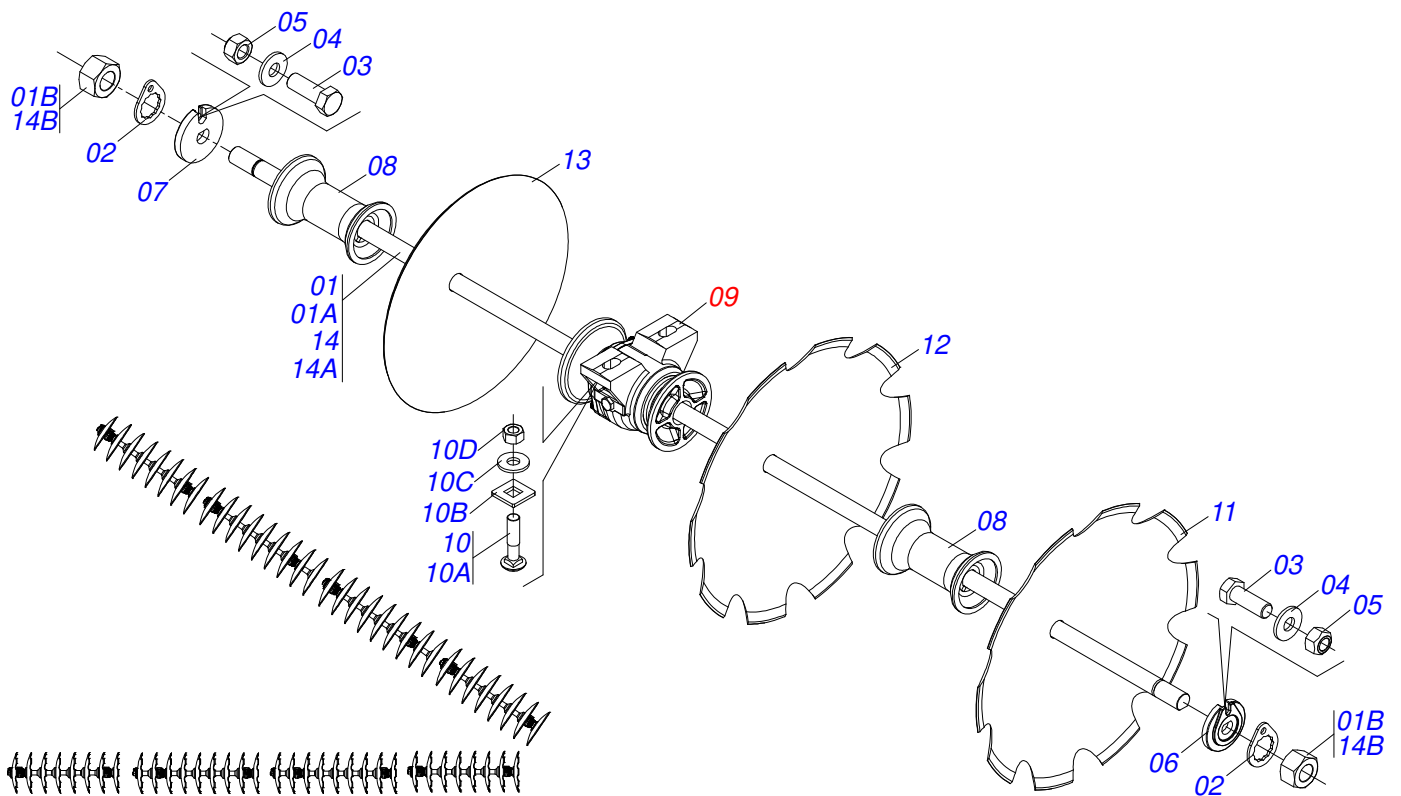
Item	Code	Description	See page	QT
01	0501062595	FRAME GAT 800		01
02	0501011388	COUPLING SHAFT		01
03	0521010579	COUPLING SHAFT		01
04	0511016686	U HOOK		01
05	0501067537	25,4 X 100 HOOK		01
06	0503010018	5/32 X 1-1/2 COTTERPIN		01
07	0503030168	HAIR PIN		01



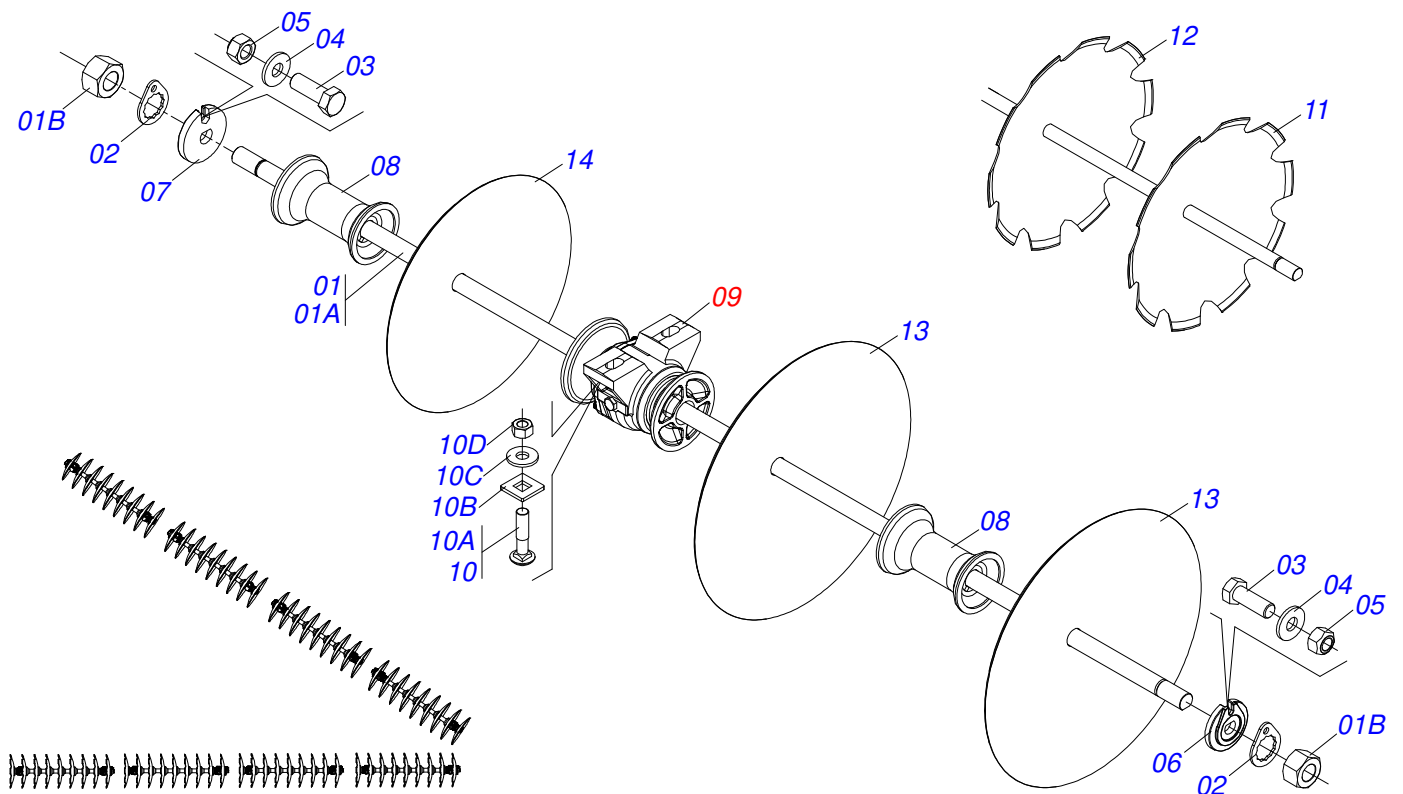
Item	Code	Description	See page	QT
01	0503011627	MALE QUICK COUPLER AGR 1/2 NPT		01
02	0503011882	MALE QUICK COUPLER CAP		01



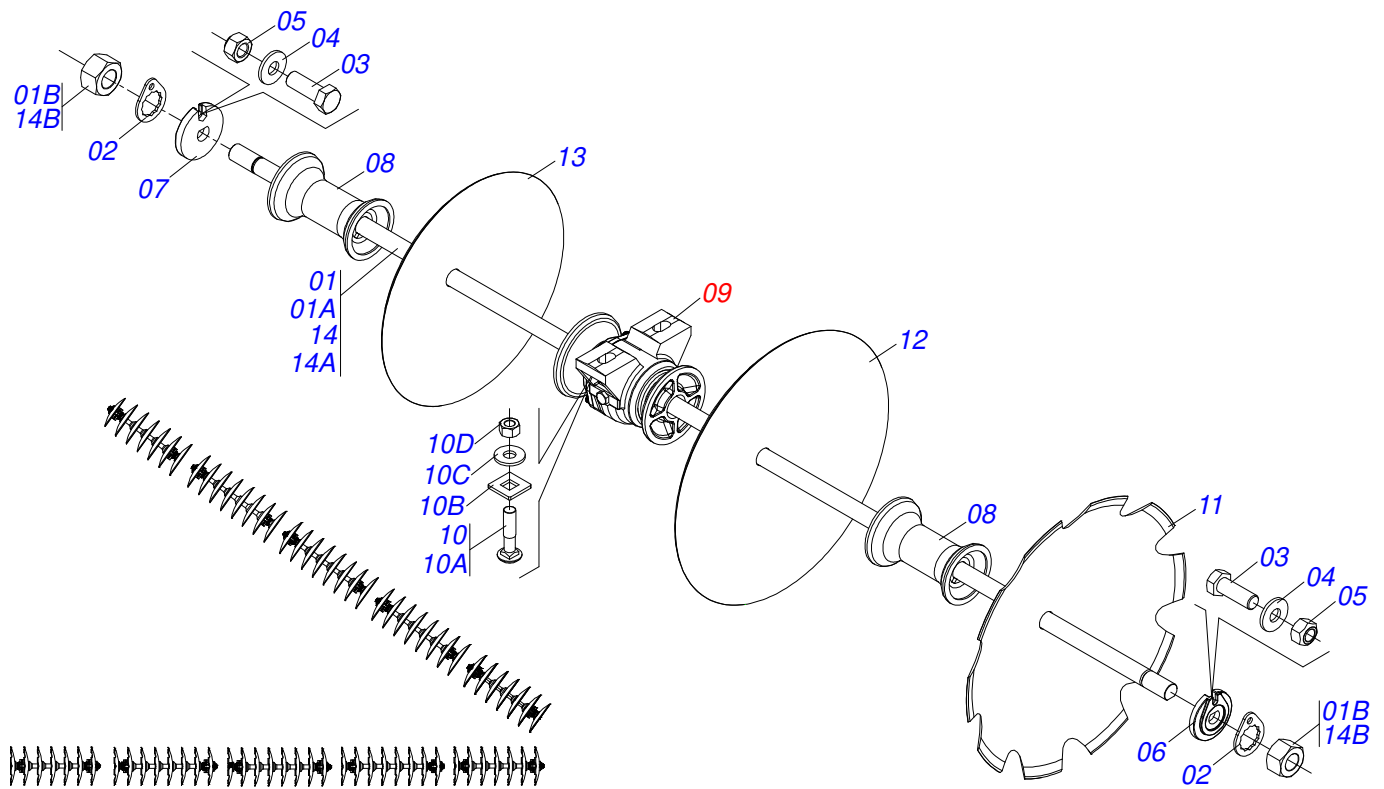
Item	Code	Description	See page	QT
01	0501043697	1.1/2" X 1505 AXLE ASSY		08
01A	0511012601	1.1/2" X 1505 AXLE		08
01B	0501010110	1.1/2" NUT		16
02	0501018592	1.5/8" NUT LOCK		16
03	0503011267	BOLT 5/8 UNC X 1.1/2 C S G.5 ZN		16
04	0501012140	FLAT WASHER		16
05	0503010013	5/8" NUT		16
06	0502010872	1-1/2" INNER AXLE WASHER		08
07	0502010871	1-1/2" EXTERNAL AXLE WASHER		08
08	0502010627	SPACER		40
09	0501047055	BEARING	20	16
10	0501058802	5/8 UNC X 2.3/4 BOLT ASSY		32
10A	0503015154	5/8" X 2.3/4" BOLT		32
10B	0501010947	5/8 NUT LOCK		32
10C	0501012140	FLAT WASHER		32
10D	0503010013	5/8" NUT		64
11	0602030446	24" X 4,75 NOTCHED DISC BLADE		32
11.	0602029416	DR22X4,5 C64AF02FR1.9/16 10REC TATU		32
12	0601031039	DL24X4,75 C72AF02FR1.9/16 TATU TERR		30
12.	0601029413	DL22X4,5 C64AF02FR1.9/16 TATU		30
13	0601027299	DL20X4,5 C57AF02FR1.9/16 TATU		02



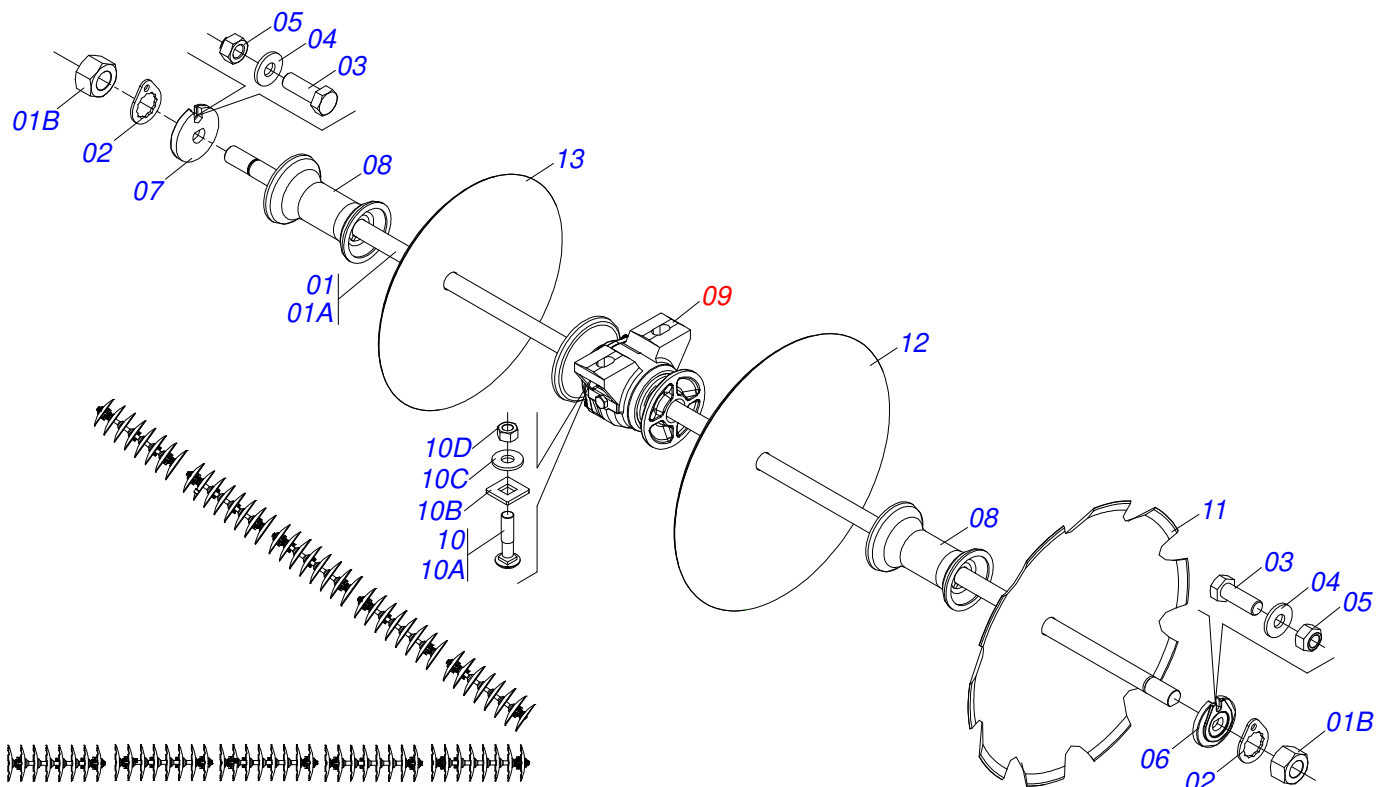
Item	Code	Description	See page	QT
01	0501043697	1.1/2" X 1505 AXLE ASSY		04
01A	0511012601	1.1/2" X 1505 AXLE		04
01B	0501010110	1.1/2" NUT		08
02	0501018592	1.5/8" NUT LOCK		16
03	0503011267	BOLT 5/8 UNC X 1.1/2 C S G.5 ZN		16
04	0501012140	FLAT WASHER		16
05	0503010013	5/8" NUT		16
06	0502010872	1-1/2" INNER AXLE WASHER		08
07	0502010871	1-1/2" EXTERNAL AXLE WASHER		08
08	0502010627	SPACER		44
09	0501047055	BEARING	20	16
10	0501058802	5/8 UNC X 2.3/4 BOLT ASSY		32
10A	0503015154	5/8" X 2.3/4" BOLT		32
10B	0501010947	5/8 NUT LOCK		32
10C	0501012140	FLAT WASHER		32
10D	0503010013	5/8" NUT		64
11	0602029416	DR22X4,5 C64AF02FR1.9/16 10REC TATU		34
12	0602029302	DR22X4,5 C63AF02FQ29,77XFC32,94 L.M		32
13	0601027299	DL20X4,5 C57AF02FR1.9/16 TATU		02
14	0501046884	1.1/2 X 1705 AXLE W/NUT		04
14A	0501018720	1.1/2 X 1705 AXLE		04
14B	0501010110	1.1/2" NUT		08



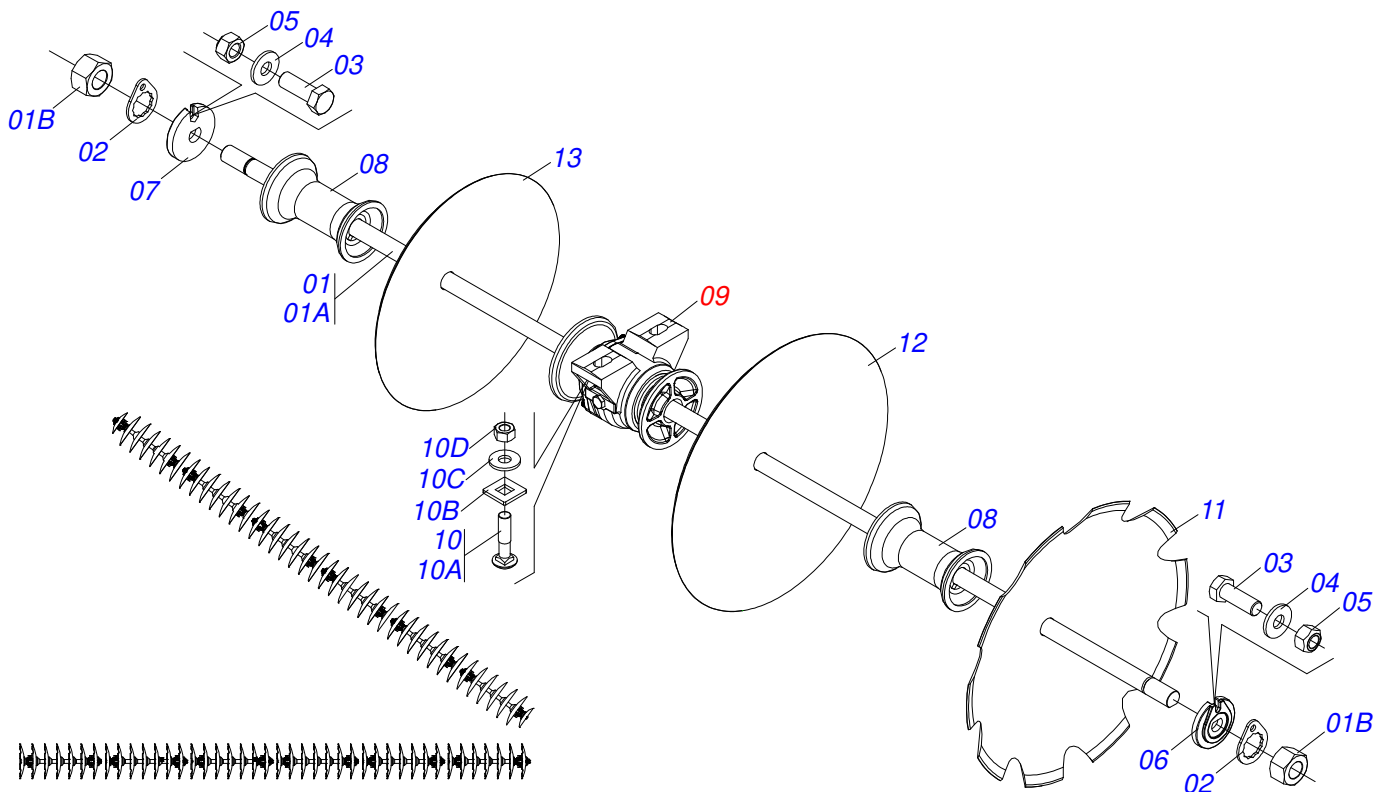
Item	Code	Description	See page	QT
01	0501046884	1.1/2 X 1705 AXLE W/NUT		08
01A	0501018720	1.1/2 X 1705 AXLE		08
01B	0501010110	1.1/2" NUT		16
02	0501018592	1.5/8" NUT LOCK		16
03	0503011267	BOLT 5/8 UNC X 1.1/2 C S G.5 ZN		16
04	0501012140	FLAT WASHER		16
05	0503010013	5/8" NUT		16
06	0502010872	1-1/2" INNER AXLE WASHER		08
07	0502010871	1-1/2" EXTERNAL AXLE WASHER		08
08	0502010627	SPACER		48
09	0501047055	BEARING	20	16
10	0501058802	5/8 UNC X 2.3/4 BOLT ASSY		32
10A	0503015154	5/8" X 2.3/4" BOLT		32
10B	0501010947	5/8 NUT LOCK		32
10C	0501012140	FLAT WASHER		32
10D	0503010013	5/8" NUT		64
11	0602030446	24" X 4,75 NOTCHED DISC BLADE		36
11.	0602029416	DR22X4,5 C64AF02FR1.9/16 10REC TATU		70
12	0602027343	DR20X4,5 C57AF02FR1.9/16 10R TATU		02
13	0601029413	DL22X4,5 C64AF02FR1.9/16 TATU		34
13.	0601031114	24" X 4,75 PLAIN DISC BLADE		34
14	0601027299	DL20X4,5 C57AF02FR1.9/16 TATU		02



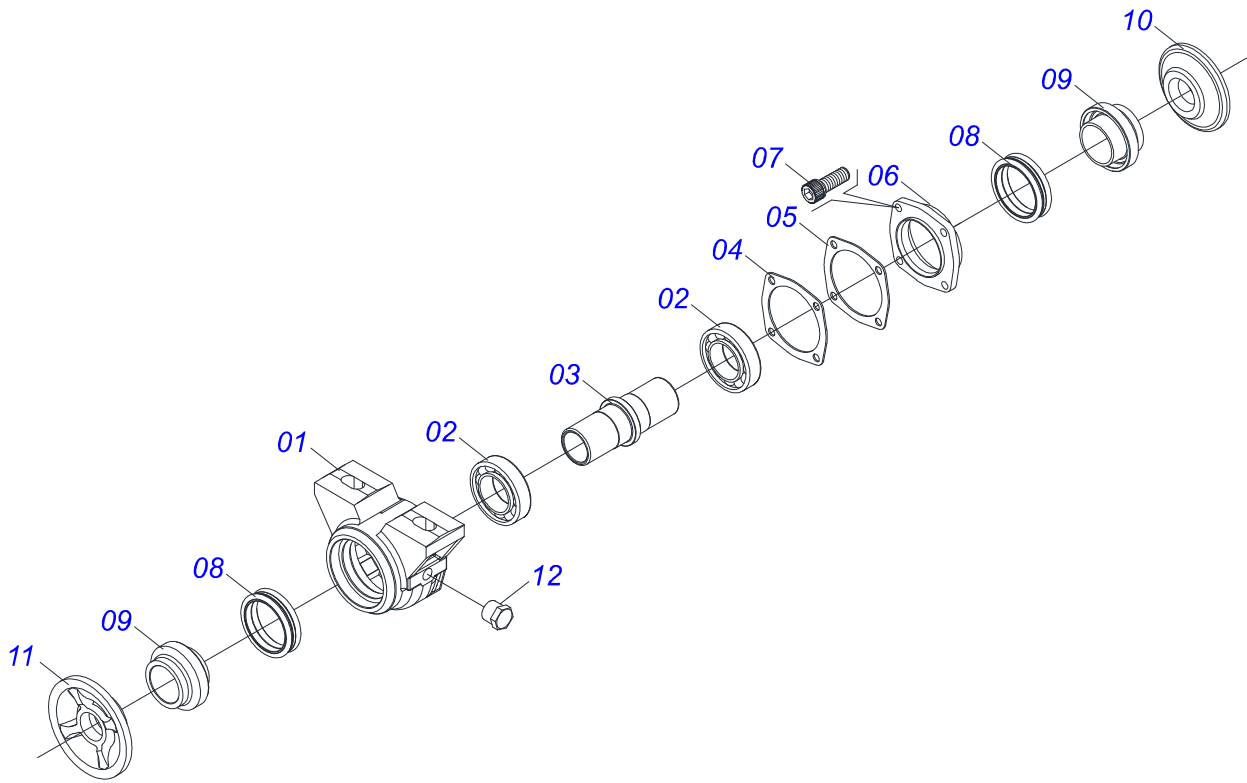
Item	Code	Description	See page	QT
01	0501043697	1.1/2" X 1505 AXLE ASSY		06
01A	0511012601	1.1/2" X 1505 AXLE		06
01B	0501010110	1.1/2" NUT		12
02	0501018592	1.5/8" NUT LOCK		20
03	0503011267	BOLT 5/8 UNC X 1.1/2 C S G.5 ZN		20
04	0501012140	FLAT WASHER		20
05	0503010013	5/8" NUT		20
06	0502010872	1-1/2" INNER AXLE WASHER		10
07	0502010871	1-1/2" EXTERNAL AXLE WASHER		10
08	0502010627	SPACER		46
09	0501047055	BEARING	20	20
10	0501058802	5/8 UNC X 2.3/4 BOLT ASSY		40
10A	0503015154	5/8" X 2.3/4" BOLT		40
10B	0501010947	5/8 NUT LOCK		40
10C	0501012140	FLAT WASHER		40
10D	0503010013	5/8" NUT		80
11	0602029416	DR22X4,5 C64AF02FR1.9/16 10REC TATU		38
12	0601029413	DL22X4,5 C64AF02FR1.9/16 TATU		36
13	0601027299	DL20X4,5 C57AF02FR1.9/16 TATU		02
14	0501044105	1.1/2 X 1305 AXLE W/NUT		04
14A	0511011914	1.1/2 X 1305 AXLE		04
14B	0501010110	1.1/2" NUT		08



Item	Code	Description	See page	QT
01	0501043697	1.1/2" X 1505 AXLE ASSY		10
01A	0511012601	1.1/2" X 1505 AXLE		10
01B	0501010110	1.1/2" NUT		20
02	0501018592	1.5/8" NUT LOCK		20
03	0503011267	BOLT 5/8 UNC X 1.1/2 C S G.5 ZN		20
04	0501012140	FLAT WASHER		20
05	0503010013	5/8" NUT		20
06	0502010872	1-1/2" INNER AXLE WASHER		10
07	0502010871	1-1/2" EXTERNAL AXLE WASHER		10
08	0502010627	SPACER		50
09	0501047055	BEARING	20	20
10	0501058802	5/8 UNC X 2.3/4 BOLT ASSY		40
10A	0503015154	5/8" X 2.3/4" BOLT		40
10B	0501010947	5/8 NUT LOCK		40
10C	0501012140	FLAT WASHER		40
10D	0503010013	5/8" NUT		80
11	0602029416	DR22X4,5 C64AF02FR1.9/16 10REC TATU		40
12	0601029413	DL22X4,5 C64AF02FR1.9/16 TATU		38
13	0601027299	DL20X4,5 C57AF02FR1.9/16 TATU		02



Item	Code	Description	See page	QT
01	0501044105	1.1/2 X 1305 AXLE W/NUT		12
01A	0511011914	1.1/2 X 1305 AXLE		12
01B	0501010110	1.1/2" NUT		24
02	0501018592	1.5/8" NUT LOCK		24
03	0503011267	BOLT 5/8 UNC X 1.1/2 C S G.5 ZN		24
04	0501012140	FLAT WASHER		24
05	0503010013	5/8" NUT		24
06	0502010872	1-1/2" INNER AXLE WASHER		12
07	0502010871	1-1/2" EXTERNAL AXLE WASHER		12
08	0502010627	SPACER		48
09	0501047055	BEARING	20	24
10	0501058802	5/8 UNC X 2.3/4 BOLT ASSY		48
10A	0503015154	5/8" X 2.3/4" BOLT		48
10B	0501010947	5/8 NUT LOCK		48
10C	0501012140	FLAT WASHER		48
10D	0503010013	5/8" NUT		96
11	0602029416	DR22X4,5 C64AF02FR1.9/16 10REC TATU		42
12	0601029413	DL22X4,5 C64AF02FR1.9/16 TATU		40
13	0601027299	DL20X4,5 C57AF02FR1.9/16 TATU		02



Item	Code	Description	See page	QT
01	0502010540	HOUSING DM		01
02	0503010006	32210 ROLLER BEARING		02
03	0502040061	AXLE		01
04	0503030013	4.4" X 3.5" X 0.004" JOINT		03
05	0503030684	4.4" X 3.5" X 0.004" JOINT		02
06	0502020424	HOUSING CAP		01
07	0503010134	3/8" X 1" BOLT		04
08	0503030026	SEAL LP JB-253		02
09	0502010541	SEAL RETAINER		02
10	0502010604	OUTER FLANGE		01
11	0502010605	INNER FLANGE		01
12	0503010856	OIL PLUG		02



civemasa

Technical Publications | Elaboration and Revision
LUIZ CANDIDO

www.civemasa.com.br

