

DISK HARROWS

GIPCR 300 - 14/16/18/20/22/24/26/30D

Code: 0501091595
Series: S-1004
Revision: 00
Revision Date: FEVEREIRO/2022

PARTS CATALOGUE

CIVEMASA

PRODUCTS

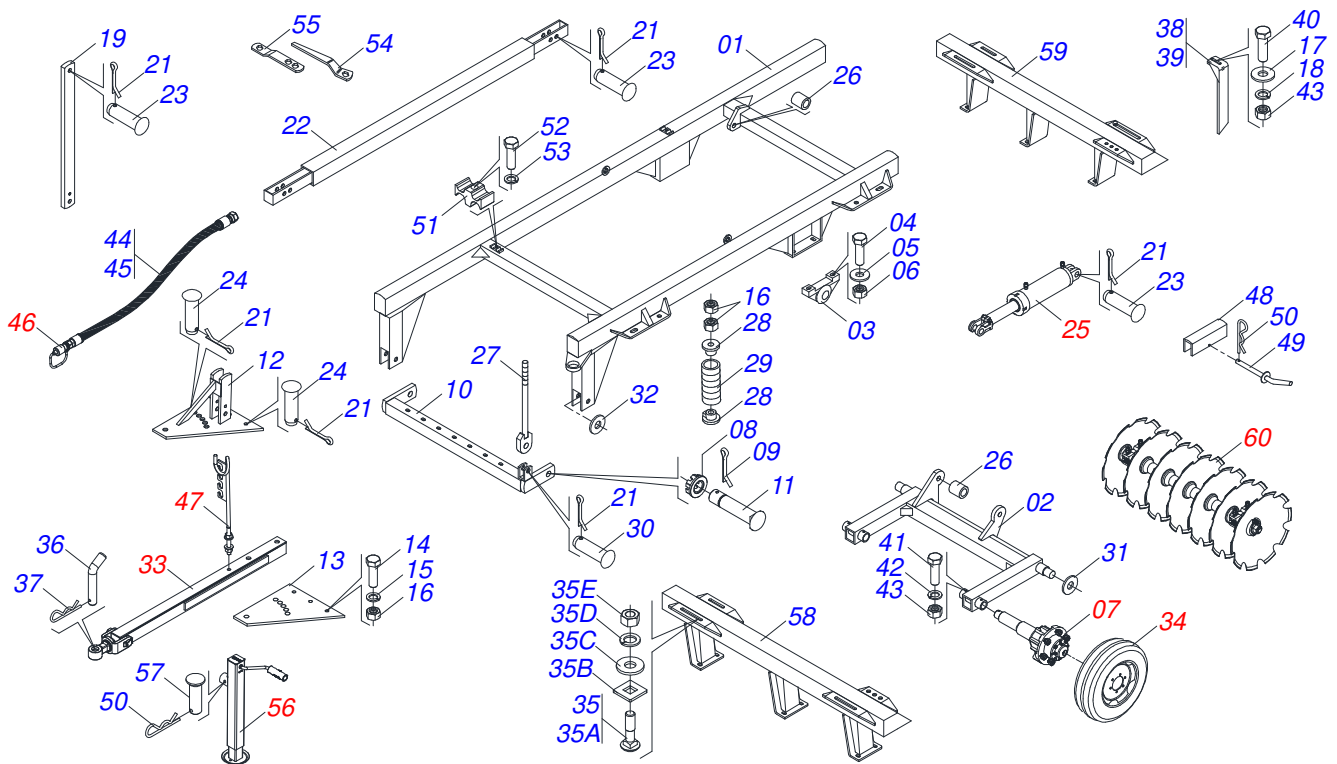
Code	Description
0120880011	GIPCR 300 14 X 30 X 7,50 DR DM E 1 .3/4 S-1004
0120880005C	GIPCR 300 16X28X7,50 DR DM E 1.3/4 61340038 S-1004
0120880005	GIPCR 300 16X28X7,50 DR DM E 1.3/4 61340038 S-1004
0120880008	GIPCR 300 16X30X7,50 DM DR 61340029 S-1004
0120880015	GIPCR 300 18X28X7,50 DR DM E 1.3/4 S-1004
0120880014	GIPCR 300 20 X 28 X 7,5 DR DM S-1004
0120880014C	GIPCR 300 20 X 28 X 7,5 DR DM EXP S-1004
0120880012	GIPCR 300 20 X 30 X 7,5 DR DM S-1004
0120880006	GIPCR 300 22X28X7,50 DM 61340083 S-1004
0120880009	GIPCR 300 22X30X7,50 DM 61340294 S-1004
0120880002	GIPCR 300 24X30X7,50 DM 61340056 S-1004
0120880001	GIPCR 300 26X28X7,50 DM RD 61340047 S-1004
0120880007	GIPCR 300 26X30X7,50 DM 61340019 S-1004
0120880010	GIPCR 300 30 X 30 X 7,50 DM RD DR S-1004
0120880004	GIPCR 30018X30X7,50 DR DM E 1. 3/4 61340074 S-1004

ATTENTION: IMPORTANT

CIVEMASA reserves the right to improve and/or modify the technical features of its products, without obligation to do the same with those products already sold and without prior knowledge of the dealer or the consumer. The photos are only illustrative.

INDEX

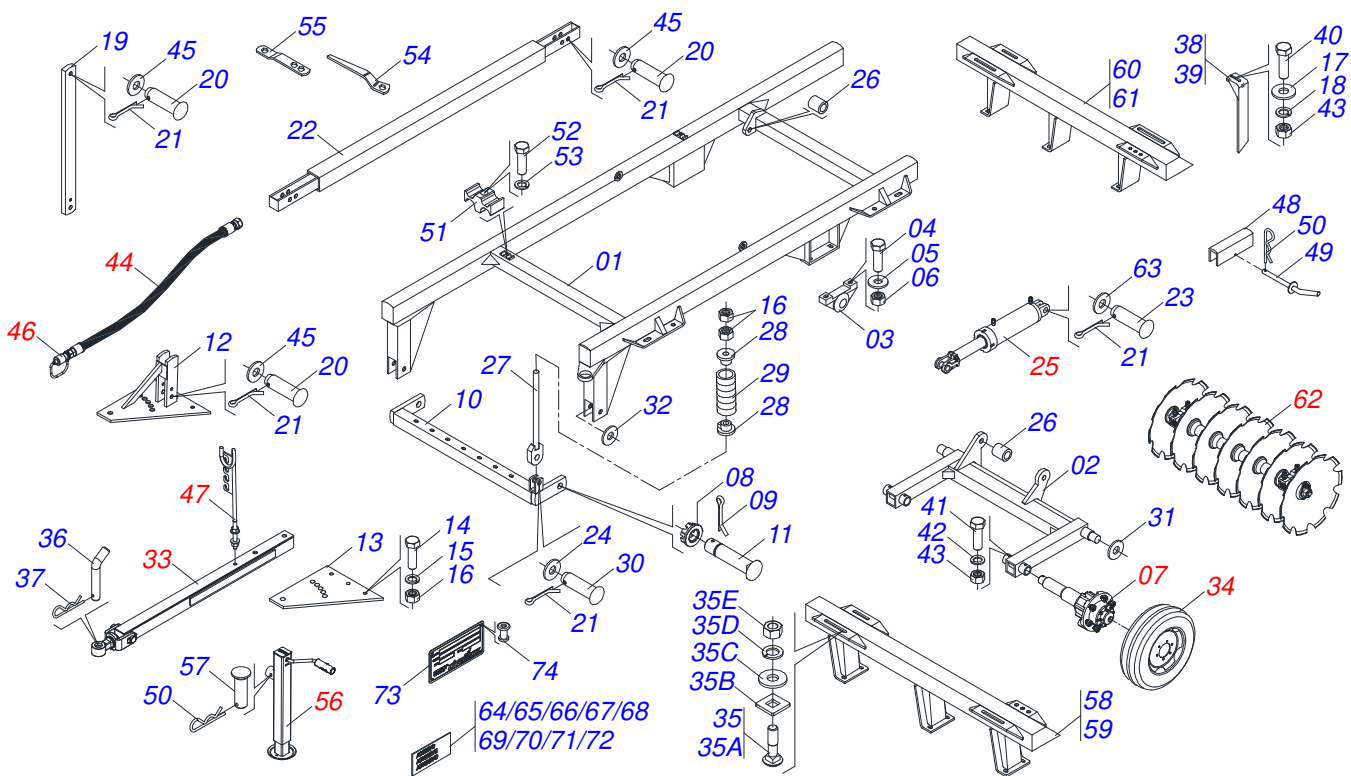
0909090941	ASSY FRAME 14D	1
0909090942	ASSY FRAME 16/18D	2
0909090943	ASSY FRAME 20/22/24/26/30D	3
0501051634	TSTUB SHAFT & HUB ASSY	4
0501051142	CARRYING WHEEL HUB	5
0511058298	HYDRAULIC CYLINDER	6
0511059180	HYDRAULIC CYLINDER	7
0501048420	HYDRAULIC CYLINDER	8
0501044359	DRAWBAR ASSY	9
0521053943	HITCH WITH ASSY ROTULA SUPPORT	10
0503060091	L29.5"X0.63"-10L WHEEL AND	11
0503011360	HOSE KIT	12
0501053834	MALE QUICK COUPLER WITH CAP - 1/2 NPT	13
0501040257	3/4 X 1200 HOSE HOLDER A	14
0503062157	HEADER JACK	15
0909091125	GANG DISC 14/16/18/20/22/24/26/30D	16
0511042128	AGRICULTURAL BEARING	17



Item	Code	Description	See page	QT
01	0521063058	FRAME		01
02	0501066950	CARRYING-WHEELS		01
03	0502010006	ARTICULACION BEARING		02
04	0503010797	3/4" X 4" BOLT		04
05	0501010322	FLAT WASHER		04
06	0503010014	3/4" NUT		08
07	0501051634	TSTUB SHAFT & HUB ASSY	4	01
08	0501011301	1.1/2 UNC 6FPP 2.5/16 NUT		03
09	0503010010	1/4" X 2.1/2" COTTERPIN		03
10	0501060370	OFFSET BAR		01
11	0521017538	11-1/2" X 5" COUPLING SHAFT		02
12	0501066099	UPPER PLATE WITH SUPPORT		01
13	0501010241	UPPER /LOWER PLATE		01
14	0503011198	C3/4" X 6" SCREW		03
15	0503011442	3/4" SPRING WASHER		04
16	0503010014	3/4" NUT		04
17	0511017302	FLAT WASHER		32
18	0503010019	1/2" SPRING WASHER		32
19	0511012972	TSTABILIZER BAR TOWER		01
20	0521010576	0.9" X 3.7" COUPLING SHAFT		01
21	0503010571	1/4" X 1.1/2 COTTERPIN		06
22	0511066932	CSTABILIZER BARCOTTERPIN		01
23	0521010575	C0.9" X 3.3" COUPLING SHAFT		03
24	0521012534	0.9" X 6.1" AXLE		01
25	0511058298	HYDRAULIC CYLINDER	6	01
26	0511019920	SLEEVE 32,7 X 38,8 X 25,40		03
27	0501064698	SPRING ROD		01
28	0502020392	SPRING SUPPORT		02
29	0503030441	12.7" X 5.7" X 0.5"SPRING		01
30	0521010592	1.1" X 3.1" COUPLING SHAFT		01
31	0501017579	FLAT WASHER		02

ASSY FRAME 14D

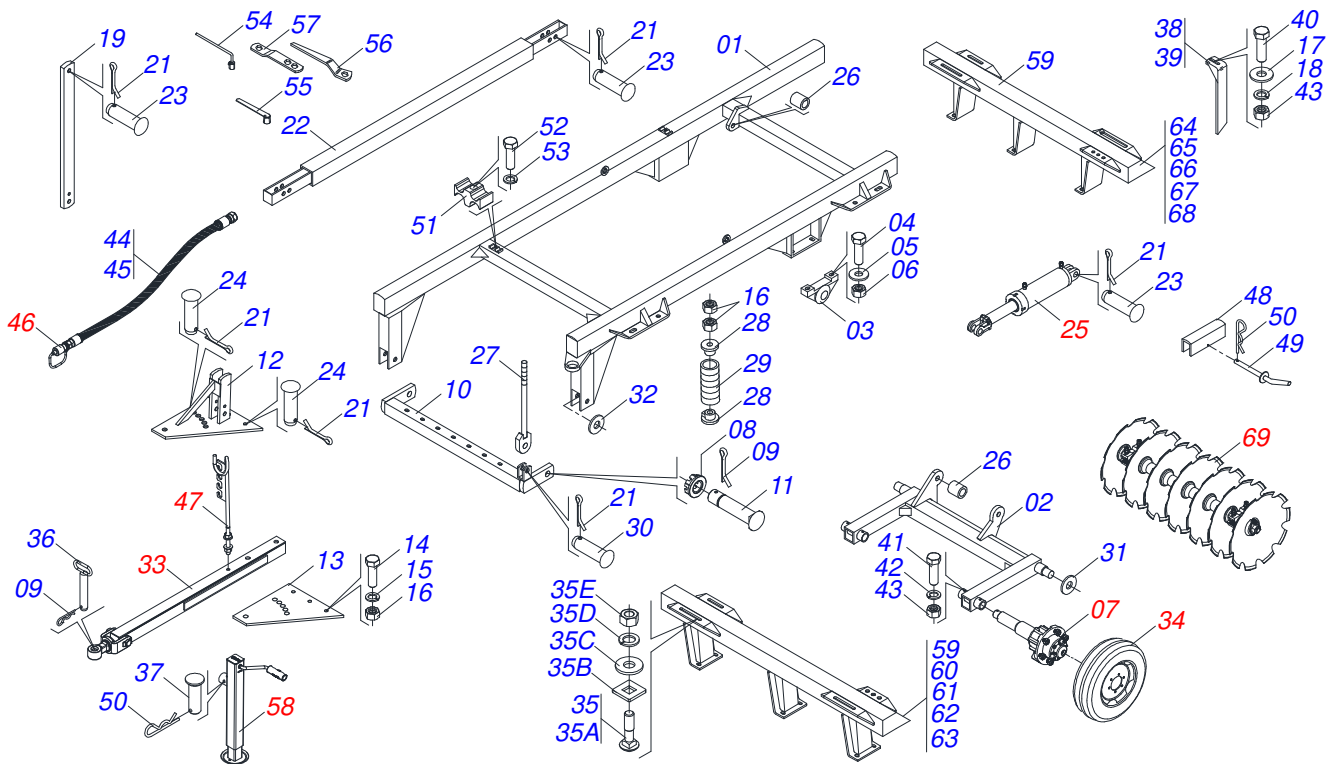
Item	Code	Description	See page	QT
32	0511019880	FLAT WASHER		02
33	0501044359	DRAWBAR ASSY	9	01
34	0503060091	L29.5"X0.63"-10L WHEEL AND	11	02
35	0501040877	C1" X 3-1/4" ASSY BOLT		08
35A	0501010171	BOLT 1 UNC X 3.1/2 C S G.5		01
35B	0502012861	1" SQUARE WASHER		01
35C	0501010065	1" SPRING WASHER		01
35D	0503010012	1" SPRING WASHER		01
35E	0501010059	1.5/8 NUT		01
36	0521010453	AXI SHAFT		01
37	0503031035	HAIR PIN		01
38	0501064168	REAR SCRAPER		04
39	0501064167	REAR SCRAPER		04
40	0503010740	BOLT 1/2 UNC X 2 CS G.5 ZN		08
41	0503010547	1/2" X 4" BOLT		02
42	0503010019	1/2" SPRING WASHER		10
43	0503010060	1/2" NUT		10
44	0501080443	3/8 X 6000 TR-TM HOSE		01
45	0501080421	3/8" X 230" TR-TM HOSE ASS		01
46	0501053834	MALE QUICK COUPLER WITH CAP - 1/2 NPT	13	02
47	0501040257	3/4 X 1200 HOSE HOLDER A	14	01
48	0511010839	TRANSPORT LOCK 7.9" X 2.1" X 0.4"		01
49	0501068994	0.3" X 3.1"LOCK PIN		01
50	0503030168	HAIR PIN		02
51	0502012702	BODY SUPPORT CLAMP		02
52	0503012555	SCREW 7/16 UNC X 2 CS RT G.7 ZN		02
53	0503010180	7/16" SPRING WASHER		02
54	0501011431	1-3/4" GANG BOLT WRENCH		02
55	0511018451	5/8" X 3/4" X 1" UNIVERSAL		01
56	0503062157	HEADER JACK	15	01
57	0521010549	COUPLING SHAFT		01
58	0511064954	FRONT FRAME		01
59	0511064955	REAR FRAME		01
60	0909091125	GANG DISC 14/16/18/20/22/24/26/30D	16	01



Item	Code	Description	See page	16	18
01	0501065574	FRAME		01	00
01.	0521065511	FRAME		00	01
02	0501065518	CARRYING-WHEELS		01	01
03	0502010006	ARTICULACION BEARING		02	02
04	0503010797	3/4" X 4" BOLT		04	04
05	0501010322	FLAT WASHER		04	04
06	0503010014	3/4" NUT		08	08
07	0501051634	TSTUB SHAFT & HUB ASSY	4	02	02
08	0501011301	1.1/2 UNC 6FPP 2.5/16 NUT		03	03
09	0503010010	1/4" X 2.1/2" COTTERPIN		03	03
10	0501066262	OFFSET BAR		01	01
11	0521817538	COUPLING SHAFT		02	02
12	0501066235	UPPER PLATE WITH SUPPORT		01	01
13	0511013000	UPPER /LOWER PLATE		01	01
14	0501010334	1" X 7" BOLT		04	04
15	0503011438	SPRING WASHER		12	12
16	0501010059	1.5/8 NUT		12	12
17	0511017302	FLAT WASHER		32	32
18	0503010019	1/2" SPRING WASHER		32	32
19	0511012972	TSTABILIZER BAR TOWER		01	01
20	0521810576	COUPLING SHAFT		03	03
21	0503010571	1/4" X 1.1/2 COTTERPIN		06	06
22	0511066932	CSTABILIZER BARCOTTERPIN		01	01
23	0521810779	AXIS JUNCTION 31.75 X 95 HOLE 80 SA ATCR		02	02
24	0561011883	FLAT WASHER		01	01
25	0511059180	HYDRAULIC CYLINDER	7	01	01
26	0511019920	SLEEVE 32,7 X 38,8 X 25,40		03	03
27	0501064698	SPRING ROD		01	01
28	1902020392	SPRING SUPPORT		02	02
29	0503030441	12.7" X 5.7" X 0.5"SPRING		01	01
30	0521810592	COUPLING SHAFT		01	01

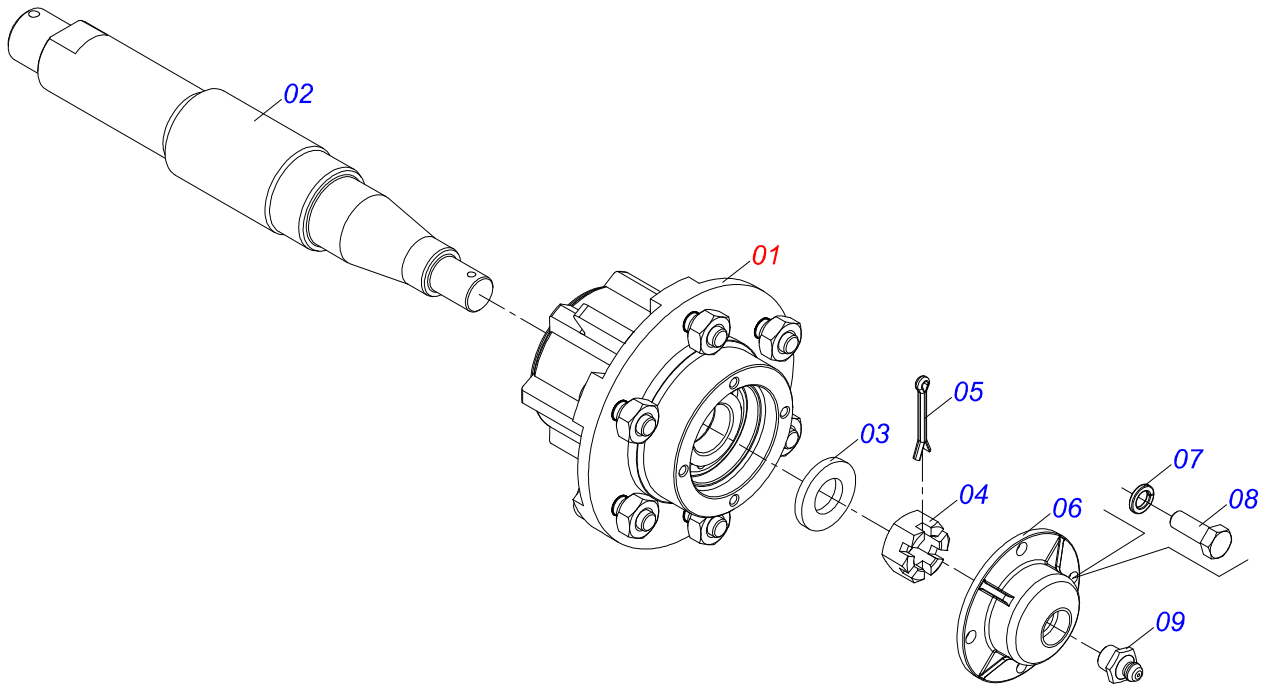
ASSY FRAME 16/18D

Item	Code	Description	See page	16	18
31	0501017579	FLAT WASHER		02	02
32	0511019880	FLAT WASHER		02	02
33	0501044359	DRAWBAR ASSY	9	01	01
34	0503060091	L29.5"X0.63"-10L WHEEL AND	11	02	02
35	0501040877	C1" X 3-1/4" ASSY BOLT		08	08
35A	0501010171	BOLT 1 UNC X 3.1/2 C S G.5		08	08
35B	0502012861	1" SQUARE WASHER		08	08
35C	0501010065	1" SPRING WASHER		08	08
35D	0503010012	1" SPRING WASHER		08	08
35E	0501010059	1.5/8 NUT		08	08
36	0521010453	AXI SHAFT		01	01
37	0503031035	HAIR PIN		01	01
38	0501064168	REAR SCRAPER		04	05
39	0501064167	REAR SCRAPER		04	05
40	0503010740	BOLT 1/2 UNC X 2 CS G.5 ZN		08	10
41	0503010547	1/2" X 4" BOLT		02	02
42	0503011440	SPRING WASHER		10	12
43	0503010060	1/2" NUT		10	12
44	0503011360	HOSE KIT	12	01	01
45	0501011445	FLAT WASHER		03	03
46	0501053834	MALE QUICK COUPLER WITH CAP - 1/2 NPT	13	02	02
47	0501040257	3/4 X 1200 HOSE HOLDER A	14	01	01
48	0511010839	TRANSPORT LOCK 7.9" X 2.1" X 0.4"		01	01
49	0501068994	0.3" X 3.1"LOCK PIN		01	01
50	0503030168	HAIR PIN		02	02
51	0502012702	BODY SUPPORT CLAMP		02	02
52	0503012555	SCREW 7/16 UNC X 2 CS RT G.7 ZN		02	02
53	0503010180	7/16" SPRING WASHER		02	02
54	0501011431	1-3/4" GANG BOLT WRENCH		02	02
55	0511018451	5/8" X 3/4" X 1" UNIVERSAL		01	01
56	0503062157	HEADER JACK	15	01	01
57	0521010549	COUPLING SHAFT		01	01
58	0521064198	FRONT FRAME		01	00
59	0521064199	FRONT FRAME ASSY		00	01
60	0511064957	REAR FRAME		01	00
61	0511064959	REAR FRAME		00	01
62	0909091125	GANG DISC 14/16/18/20/22/24/26/30D	16	01	01
63	0501017779	32 X 60 X 4.75 FLAT WASHER		02	02
64	0503033038	DANGER SIGN		01	01
65	0503031827	LUBRICATE AND RETIGHTEN DAILY DECAL		01	01
66	0503034078	LIFTING POINTS DECAL		04	04
67	0503031739	ADHESIVE LABEL		01	01
68	0503033647	APPROVED BADGE		01	01
69	0503031738	ADHESIVE LABEL		01	01
70	0503031428	READ MANUAL DECAL		01	01
71	0503034096	GIPCR 300 EMBLEM		01	01
72	0503034499	HOSE IDENTIFICATION DECAL		01	01
73	0503034004	ALUMINUM IDENTIFICATION LABEL		01	01
74	0503010001	3.2 X 5.5 RIVET		04	04



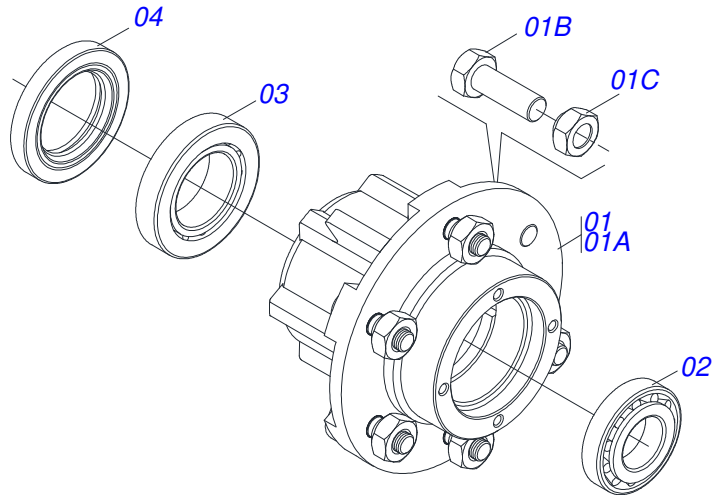
Item	Code	Description	See page	20	22	24	26	30
01	0521062612	FRAME		01	01	01	01	01
02	0501065518	CARRYING-WHEELS		01	01	01	01	01
03	0502010006	ARTICULACION BEARING		02	02	02	02	02
04	0503010797	3/4" X 4" BOLT		04	04	04	04	04
05	0501010322	FLAT WASHER		04	04	04	04	04
06	0503010014	3/4" NUT		08	08	08	08	08
07	0501054931	STUB SHAFT & HUB		02	02	02	02	02
08	0501011301	1.1/2 UNC 6FPP 2.5/16 NUT		03	03	03	03	03
09	0503010010	1/4" X 2.1/2" COTTERPIN		03	03	03	03	03
10	0501066262	OFFSET BAR		01	01	01	01	01
11	0521017538	11-1/2" X 5" COUPLING SHAFT		02	02	02	02	02
12	0501066235	UPPER PLATE WITH SUPPORT		01	01	01	01	01
13	0511013000	UPPER /LOWER PLATE		01	01	01	01	01
14	0501010334	1" X 7" BOLT		04	04	04	04	04
15	0503011438	SPRING WASHER		12	12	12	12	12
16	0501010059	1.5/8 NUT		12	12	12	12	12
17	0511017302	FLAT WASHER		32	32	32	32	32
18	0503010019	1/2" SPRING WASHER		32	32	32	32	32
19	0511012972	TSTABILIZER BAR TOWER		01	01	01	01	01
20	0521010576	0.9" X 3.7" COUPLING SHAFT		01	01	01	01	01
21	0503010571	1/4" X 1.1/2 COTTERPIN		06	06	06	06	06
22	0511066932	CSTABILIZER BARCOTTERPIN		01	01	01	01	01
23	0521010575	C0.9" X 3.3" COUPLING SHAFT		03	03	03	03	03
24	0521012534	0.9" X 6.1" AXLE		01	01	01	01	01
25	0501048420	HYDRAULIC CYLINDER	8	01	01	01	01	01
26	0511019920	SLEEVE 32,7 X 38,8 X 25,40		03	03	03	03	03
27	0501064698	SPRING ROD		01	01	01	01	01
28	0502020392	SPRING SUPPORT		02	02	02	02	02
29	0503030441	12.7" X 5.7" X 0.5"SPRING		01	01	01	01	01
30	0521010592	1.1" X 3.1" COUPLING SHAFT		01	01	01	01	01
31	0501017579	FLAT WASHER		02	02	02	02	02

Item	Code	Description	See page	20	22	24	26	30
32	0511019880	FLAT WASHER		02	02	02	02	02
33	0501044359	DRAWBAR ASSY	9	01	01	01	01	01
34	0503060091	L29.5"X0.63"-10L WHEEL AND	11	02	02	02	02	02
35	0501040877	C1" X 3-1/4" ASSY BOLT		08	08	08	08	08
35A	0501010171	BOLT 1 UNC X 3.1/2 C S G.5		08	08	08	08	08
35B	0502012861	1" SQUARE WASHER		08	08	08	08	08
35C	0501010065	1" SPRING WASHER		08	08	08	08	08
35D	0503010012	1" SPRING WASHER		08	08	08	08	08
35E	0501010059	1.5/8 NUT		08	08	08	08	08
36	0501069080	COUPLING SHAFT		01	01	01	01	01
37	0521010549	COUPLING SHAFT		01	01	01	01	01
38	0501064168	REAR SCRAPER		05	07	08	09	11
39	0501064167	REAR SCRAPER		05	07	08	09	11
40	0503010740	BOLT 1/2 UNC X 2 CS G.5 ZN		10	14	16	18	22
41	0503010547	1/2" X 4" BOLT		02	02	02	02	22
42	0503010019	1/2" SPRING WASHER		12	16	18	20	24
43	0503010060	1/2" NUT		12	16	18	20	24
44	0501080443	3/8 X 6000 TR-TM HOSE		01	01	01	01	01
45	0501080421	3/8" X 230" TR-TM HOSE ASS		01	01	01	01	01
46	0501053834	MALE QUICK COUPLER WITH CAP - 1/2 NPT	13	02	02	02	02	02
47	0501040257	3/4 X 1200 HOSE HOLDER A	14	01	01	01	01	01
48	0511010839	TRANSPORT LOCK 7.9" X 2.1" X 0.4"		01	01	01	01	01
49	0501068994	0.3" X 3.1"LOCK PIN		01	01	01	01	01
50	0503030168	HAIR PIN		02	02	02	02	02
51	0502012702	BODY SUPPORT CLAMP		02	02	02	02	02
52	0503012555	SCREW 7/16 UNC X 2 CS RT G.7 ZN		02	02	02	02	02
53	0503010180	7/16" SPRING WASHER		02	02	02	02	02
54	0503016140	3/4" WRENCH CABLE CYLINDRICAL		01	01	01	01	01
55	0501061617	1" GANG BOLT WRENCH		01	01	01	01	01
56	0501011431	1-3/4" GANG BOLT WRENCH		02	02	02	02	02
57	0511018451	5/8" X 3/4" X 1" UNIVERSAL		01	01	01	01	01
58	0503062157	HEADER JACK	15	01	01	01	01	01
59	0521067498	FRONT FRAME 20		01	00	00	00	00
60	0521064200	FRONT FRAME		00	01	00	00	00
61	0521064201	FRONT FRAME 3300		00	00	01	00	00
62	0521064202	FRONT FRAME		00	00	00	01	00
63	0521066099	FRONT FRAME		00	00	00	00	01
64	0521067497	REAR FRAME 20		01	00	00	00	00
65	0511064963	REAR FRAME		00	01	00	00	00
66	0511064965	REAR FRAME		00	00	01	00	00
67	0511064967	REAR FRAME		00	00	00	01	00
68	0521066100	REAR FRAME		00	00	00	00	01
69	0909091125	GANG DISC 14/16/18/20/22/24/26/30D	16	01	01	01	01	01

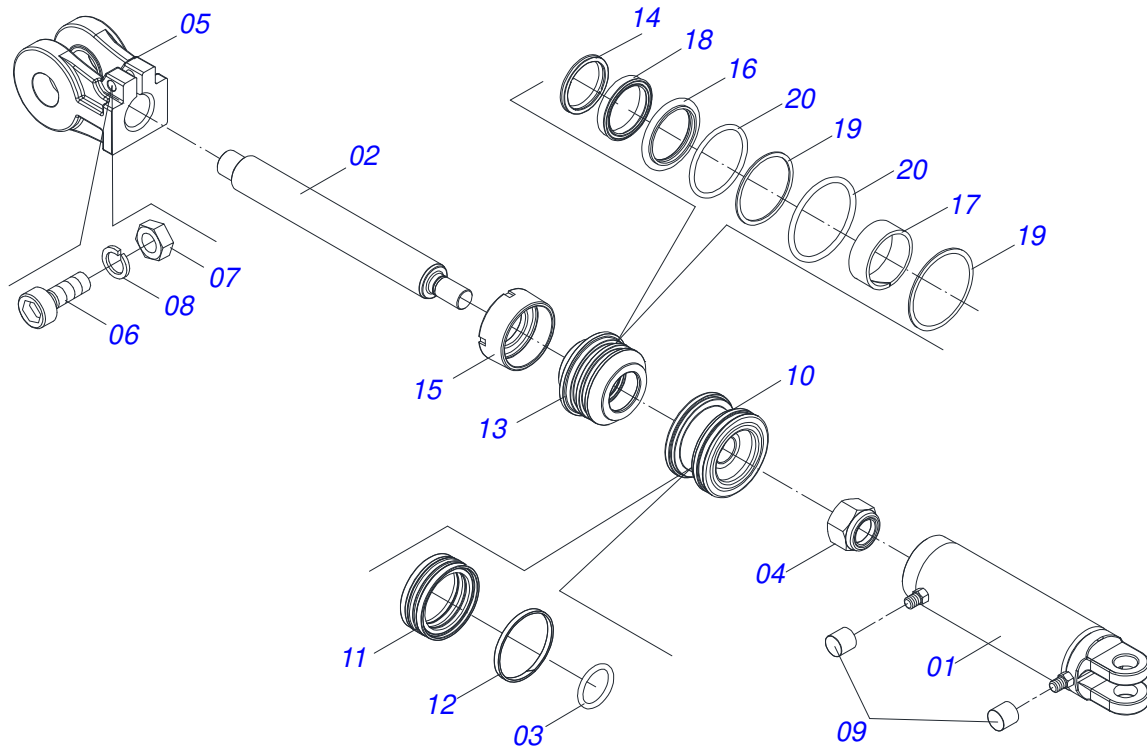


Item	Code	Description	See page	QT
01	0501051142	CARRYING WHEEL HUB	5	01
02	0521010821	2.5" X 16.5" AXLE		01
03	0501016545	FLAT WASHER		01
04	0503030009	1" CASTLE NUT		01
05	0503010018	5/32 X 1-1/2 COTTERPIN		01
06	0502020591	PROTECCION COVER		01
07	0503011444	SPRING WASHER		04
08	0503010358	5/16" X 5/8" BOLT		04
09	0503010002	1800 GREASE FITTING		01

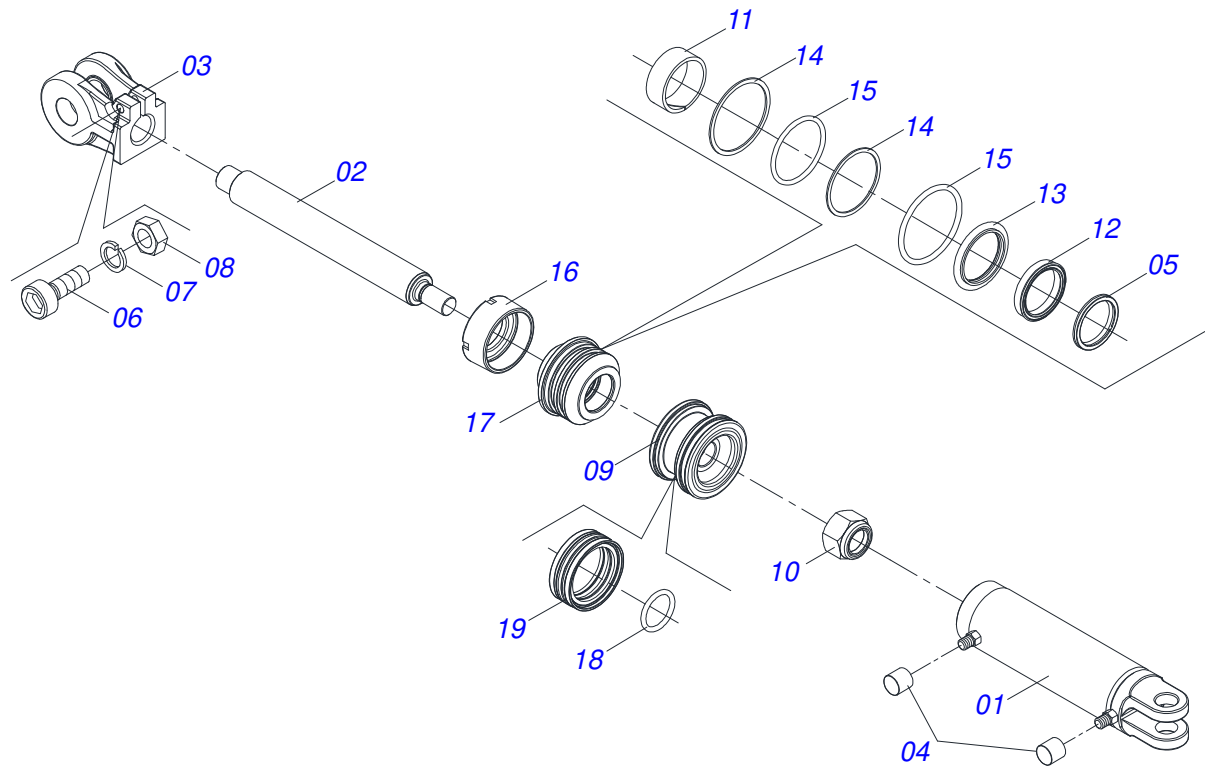
CARRYING WHEEL HUB



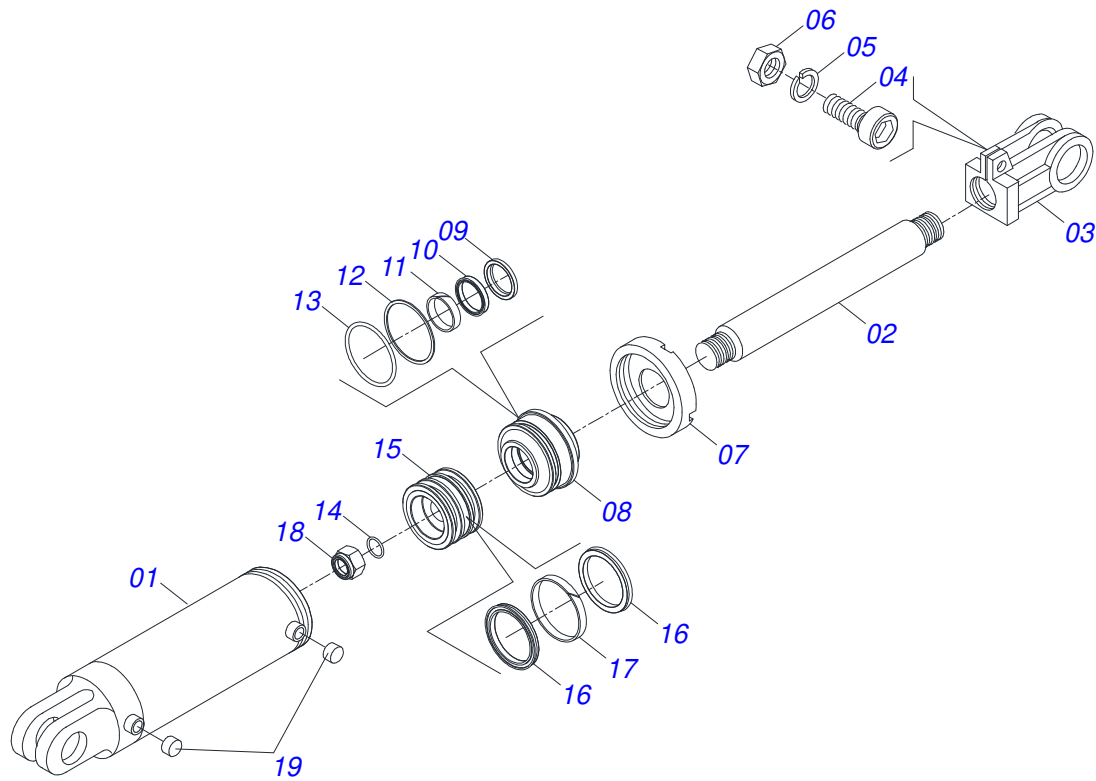
Item	Code	Description	See page	QT
01	0501110728	WHEEL HUB		01
01A	0502011121	CARRYING WHEEL HUB		01
01B	0501010127	9/16" X 1-7/8" LUG BOLT		06
01C	0503010035	9/16" CONIC NUT		06
02	0503010037	30207 ROLLER BEARING		01
03	0503010006	32210 ROLLER BEARING		01
04	0503012928	SEAL		01



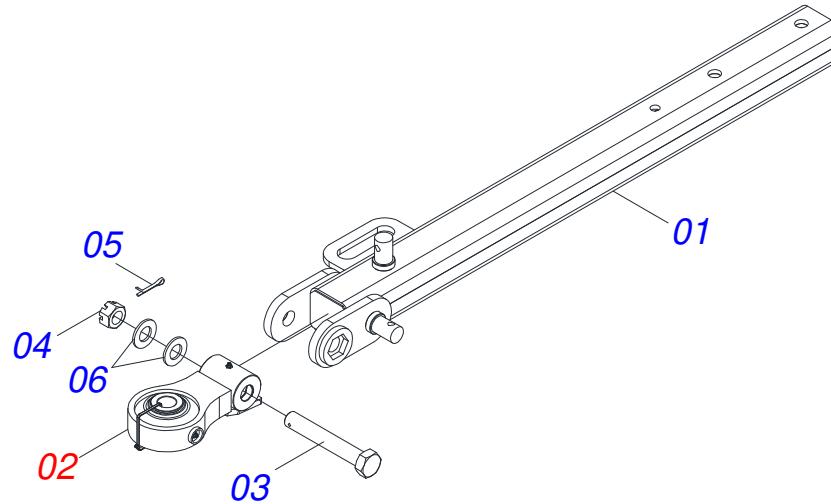
Item	Code	Description	See page	QT
01	0511061588	3.4" X 16" CYLINDER CASE		01
02	0521010421	HYDRAULIC CYLINDER TURNBUCKLE		01
03	0503010042	2-214 N 3006-9B O'RING		01
04	0503010063	1" SELF-ALIGNING NUT		01
05	0502040747	32.54 CLEVIS CLAMP		01
06	0503011094	3/8" X 2" BOLT		01
07	0503010026	3/8" NUT		01
08	0503010025	3/8" SPRING WASHER		01
09	0503030385	CYLINDER PLUG N-002		02
10	0571019710	1.7" X 3.4" PISTON		01
11	0503017935	RING		01
12	0503018144	RING		01
13	0571019711	RING SUPPORT		01
14	0503010761	D-1750 SCRAPER RING		01
15	0571019709	DETACHABLE COVER		01
16	0503017936	RING		01
17	0503017938	RING GUIDE		01
18	0503017937	GASKET		01
19	0503017940	8-337 BACK-UP RING		02
20	0503017939	2-337 N 3006-9B O' RING		02



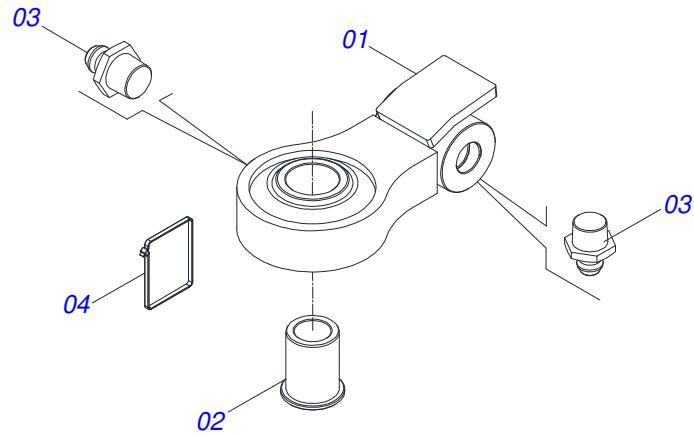
Item	Code	Description	See page	QT
01	0511070658	CYLINDER CASE	01	01
02	0571019958	HYDRAULIC CYLINDER TURNBUCKLE	01	01
03	0502040747	32.54 CLEVIS CLAMP	01	01
04	0503030385	CYLINDER PLUG N-002	02	02
05	0503010039	D-2000 SCRAPER RING	01	01
06	0503011094	3/8" X 2" BOLT	01	01
07	0503011443	3/8" SPRING WASHER	01	01
08	0503010026	3/8" NUT	01	01
09	0502012820	50.80 X 101.60 PISTON	01	01
10	0503010817	1.1/4" SELF LOCKING NUT	01	01
11	0503018025	RING GUIDE	01	01
12	0503018026	1870-2000-375 B GASKET	01	01
13	0503018024	RING BS	01	01
14	0503010338	2-342 N 3006-9B O'RING	02	02
15	0503011061	8-342 BACK-UP RING	02	02
16	0502012822	101.60 END CAP	01	01
17	0502012821	50.80 X 101.60 RING SUPPORT	01	01
18	0503018029	2-217 O'RING	01	01
19	0503015633	SELEMASTER SEALING	01	01



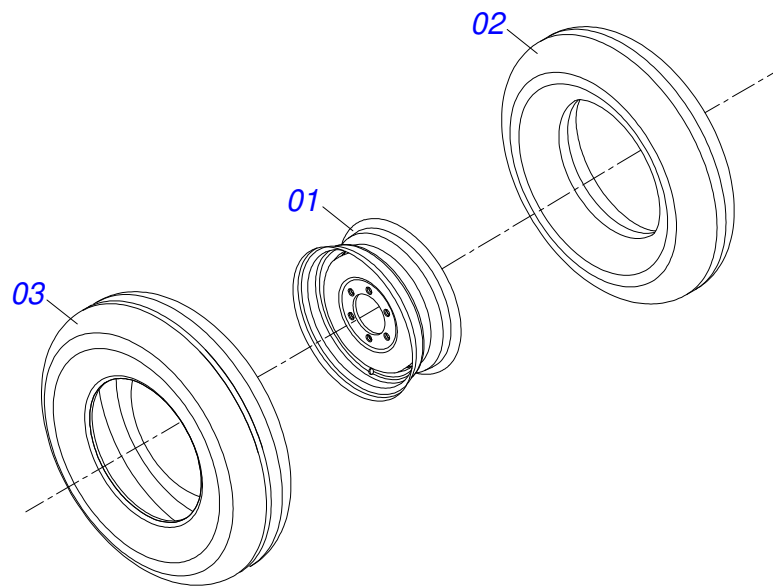
Item	Code	Description	See page	QT
01	0501069906	4" X 16" CYLINDER CASE		01
02	0521010422	HYDRAULIC CYLINDER TURNBUCKLE		01
03	0502040747	32.54 CLEVIS CLAMP		01
04	0503011094	3/8" X 2" BOLT		01
05	0503010025	3/8" SPRING WASHER		01
06	0503010026	3/8" NUT		01
07	0502010017	4" HEAD		01
08	0502010778	2" X 4.2" RING SUPPORT		01
09	0503010039	D-2000 SCRAPER RING		01
10	0503010991	1870-2000-375-B GASKET		01
11	0503010952	W2-2250-500 RING		01
12	0503011061	8-342 BACK-UP RING		01
13	0503010338	2-342 N 3006-9B O'RING		01
14	0503010345	2-218 N 3006-9B O'RING		01
15	0502010992	2.0" X 4.0" PISTON		01
16	0503010043	PACKING 3750-3250		02
17	0503010994	W2-4000-500 PK RING G.E		01
18	0503010817	1.1/4" SELF LOCKING NUT		01
19	0503030385	CYLINDER PLUG N-002		02
20	0501031799	HYDRAULIC CYLINDER REPAIR KIT		01



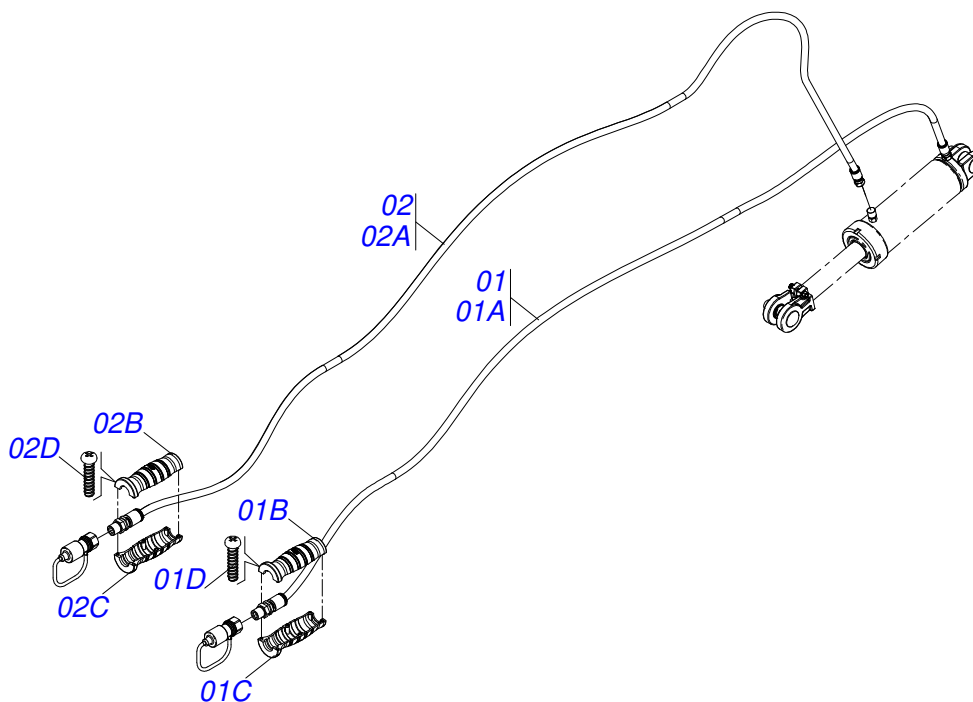
Item	Code	Description	See page	QT
01	0501066715	DRAWBAR ASSY		01
02	0521053943	HITCH WITH ASSY ROTULA SUPPORT	10	01
03	0501017291	1-1/2" X 8.1" BOLT		01
04	0501011301	1.1/2 UNC 6FPP 2.5/16 NUT		01
05	0503010010	1/4" X 2.1/2" COTTERPIN		01
06	0501017779	32 X 60 X 4.75 FLAT WASHER		02



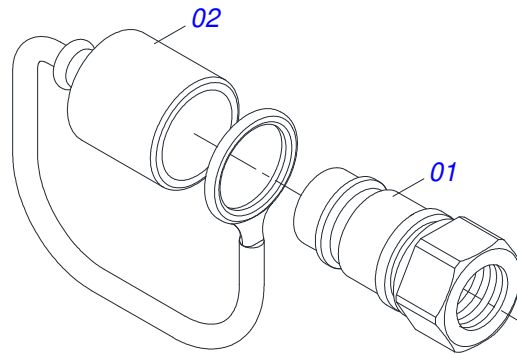
Item	Code	Description	See page	QT
01	0521069166	HITCH		01
02	0581018413	SLEEVE		01
03	0503010002	1800 GREASE FITTING		02
04	0503016033	4.8 X 1.3 X 300 MM NYLON CLAMP		01



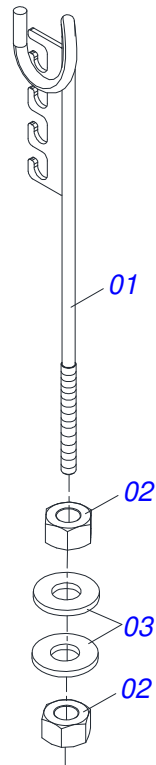
Item	Code	Description	See page	QT
01	0503010893	WHEEL		01
02	0503010033	7.50 X 16 INNER TIRE		01
03	0503010120	CANVAS TIRE		01



Item	Code	Description	See page	QT
01	0521056233	3/8 X 6000 TR-TM HOSE BLACK / RED		01
01A	0501080443	3/8 X 6000 TR-TM HOSE		01
01B	0503034495	HYDRAULIC HOSE GRIP (RED)		01
01C	0503034492	HYDRAULIC HOSE GRIP (BLACK)		01
01D	0503018952	PLASTIC BOLT		06
02	0521055893	3/8 X 5850 TR-TM HOSE BLACK / BLUE		01
02A	0501080421	3/8" X 230" TR-TM HOSE ASS		01
02B	0503034492	HYDRAULIC HOSE GRIP (BLACK)		01
02C	0503034494	HYDRAULIC HOSE GRIP (BLUE)		01
02D	0503018952	PLASTIC BOLT		06

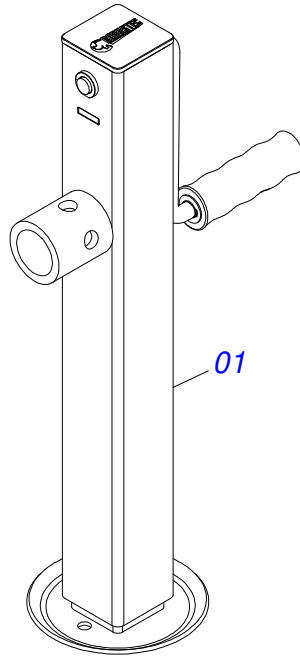


Item	Code	Description	See page	QT
01	0503011627	MALE QUICK COUPLER AGR 1/2 NPT		01
02	0503011882	MALE QUICK COUPLER CAP		01

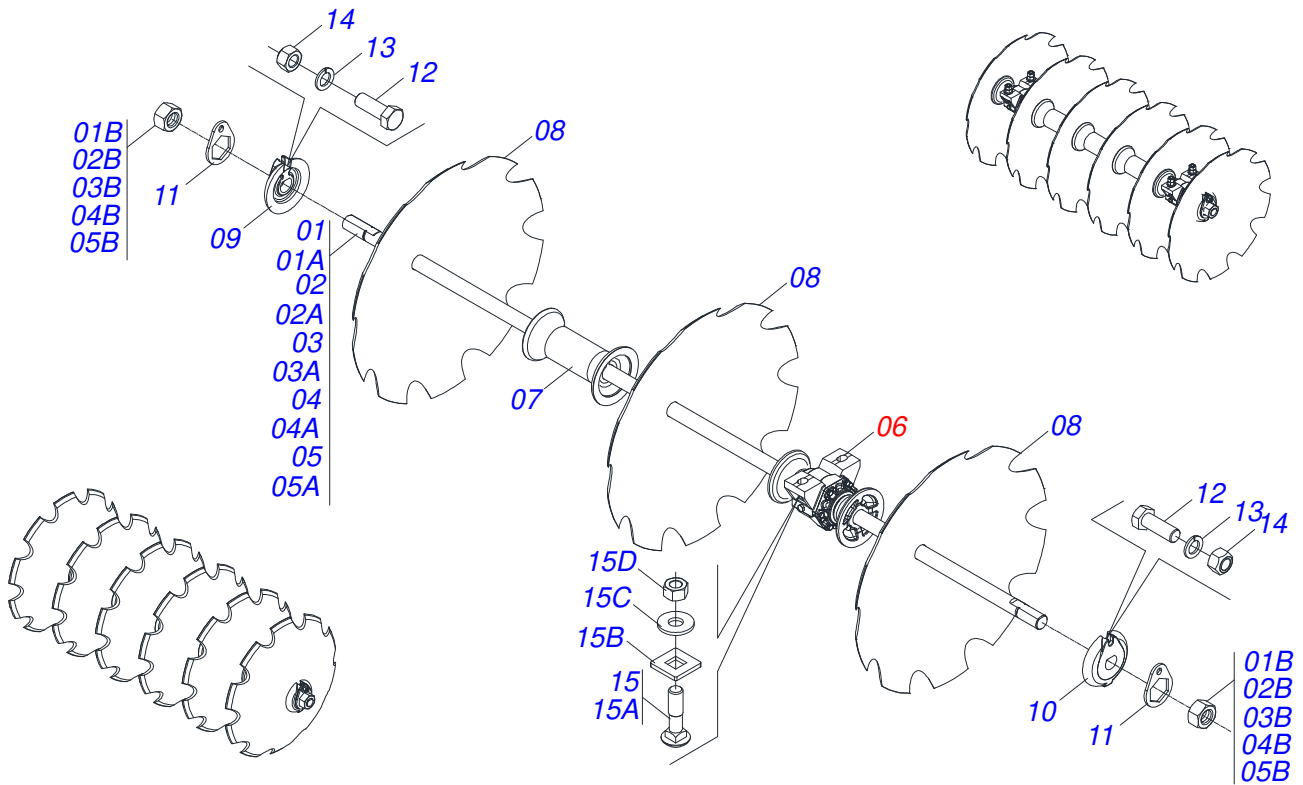


Item	Code	Description	See page	QT
01	0511067334	HOSE SOPPORT ASSY		01
02	0503010014	3/4" NUT		02
03	0501010322	FLAT WASHER		02

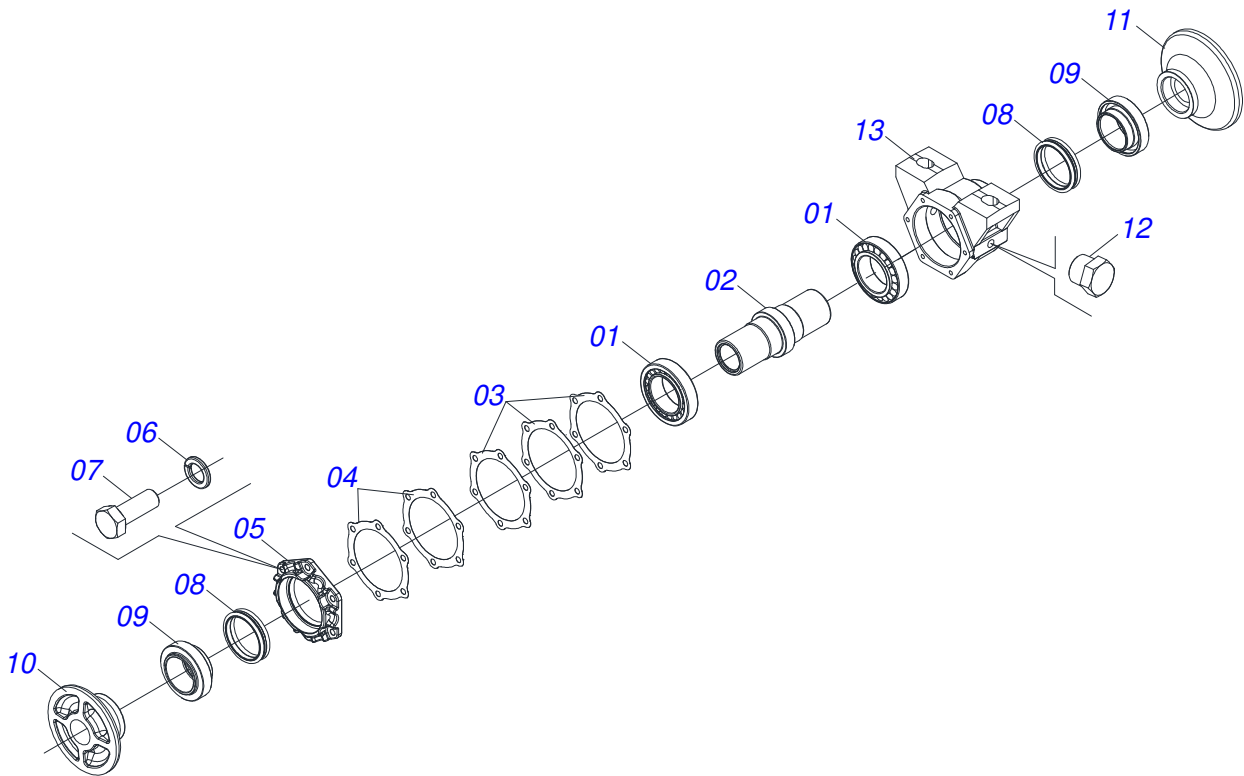
HEADER JACK



Item	Code	Description	See page	QT
01	0503062157	HEADER JACK	15	01



Item	Code	Description	See page	14	16	18	20	22	24	26	30
01	0521045355	1.3/4 7 FPP X 1060 AXLE		00	02	00	00	00	00	00	00
01A	0541010243	1.3/4 7FPP X 1060 AXLE		00	01	00	00	00	00	00	00
01B	0501010333	1.3/4" NUT		00	02	00	00	00	00	00	00
02	0511044994	1.3/4 7FPP X 2260AXLE		00	02	00	00	00	00	00	00
02A	0541010271	1.3/4 7FPP X 2260 AXLE		00	01	00	00	00	00	00	00
02B	0501010333	1.3/4" NUT		00	02	00	00	00	00	00	00
03	0511044700	1.3/4" X 1360MM AXLE		00	00	02	04	02	00	06	06
03A	0541010244	1.3/4 X 1360 AXLE		00	00	01	01	01	00	01	01
03B	0501010333	1.3/4" NUT		00	00	02	02	02	00	02	02
04	0511044701	1.3/4" X 1660 AXLE WITH NUT		00	00	00	00	04	04	02	00
04A	0541010245	1.3/4 X 1660 AXLE		00	00	00	00	01	01	01	00
04B	0501010333	1.3/4" NUT		00	00	00	00	02	02	02	00
05	0511044702	1.3/4" X 1960 AXLE ASSY		02	00	00	00	00	00	02	00
05A	0541010246	1.3/4" X 1960 AXLE		01	00	00	00	00	00	01	00
05B	0501010333	1.3/4" NUT		02	00	00	00	00	00	02	00
06	0511042128	AGRICULTURAL BEARING	17	04	04	04	06	06	06	08	12
07	0502012193	292 X 1.3/4" SPACER		08	08	06	10	12	14	12	12
08	0602040112	DR30X7,5 C122AF02FR1.13/16 10R TATU		14	00	00	00	00	00	00	00
08.	0602047001	DR30X7,75 C122AF02FR1.13/16 10R TATU		00	16	00	00	22	00	26	00
08..	0602040041	30X7,5 C105AF04FR1.13/16 10R T/CV NOTCHED DISC		00	00	18	20	00	24	00	30
09	0502012222	1-3/4" EXTERNAL AXLE WASHER		02	02	04	04	04	04	06	06
10	0502012221	1-1/2" INNER AXLE WASHER		02	02	04	04	04	04	06	06
11	0511014339	1-5/8" 2.8" NUT LOCK		04	04	08	08	08	08	12	12
12	0503011267	BOLT 5/8 UNC X 1.1/2 C S G.5 ZN		04	04	08	08	08	08	12	12
13	0503010027	5/8" SPRING WASHER		04	04	08	08	08	08	12	12
14	0503010013	5/8" NUT		04	04	08	08	08	08	12	12
15	0511040034	3/4" X 3-1/4" BOLT ASSY		12	12	16	16	16	16	18	24
15A	0501017303	3/4" X 3-1/4" BOLT		12	12	16	16	16	16	18	24
15B	0501010949	3/4" SQUARE WASHER		12	12	16	16	16	16	18	24
15C	0501010322	FLAT WASHER		12	12	16	16	16	16	18	24
15D	0503010014	3/4" NUT		12	12	16	16	16	16	18	24



Item	Code	Description	See page	QT
001	0503010104	3984/3920 ROLLER BEARING		02
002	0502010824	AXLE CM/DM		01
003	0503030030	5.6" X 4.4" X 0.01" GASKET		03
004	0503030685	5.5" X 4.4" X 0.003" GASKET		02
005	0502020161	WEAR PLATE BEARING		01
006	0503011443	3/8" SPRING WASHER		06
007	0503010237	3/8" X 1" BOLT		06
008	0503030027	DUO-CONE SEAL		02
009	0502010823	SEAL RETAINER		02
010	0502012194	INNER FLANGE		01
011	0502012195	BEARING OUTER FLANGE		01
012	0503010856	OIL PLUG		02
013	0502020477	HOUSING DM		01



civemasa

Technical Publications | Elaboration and Revision

MARINA PEREZ NIZA

www.civemasa.com.br

