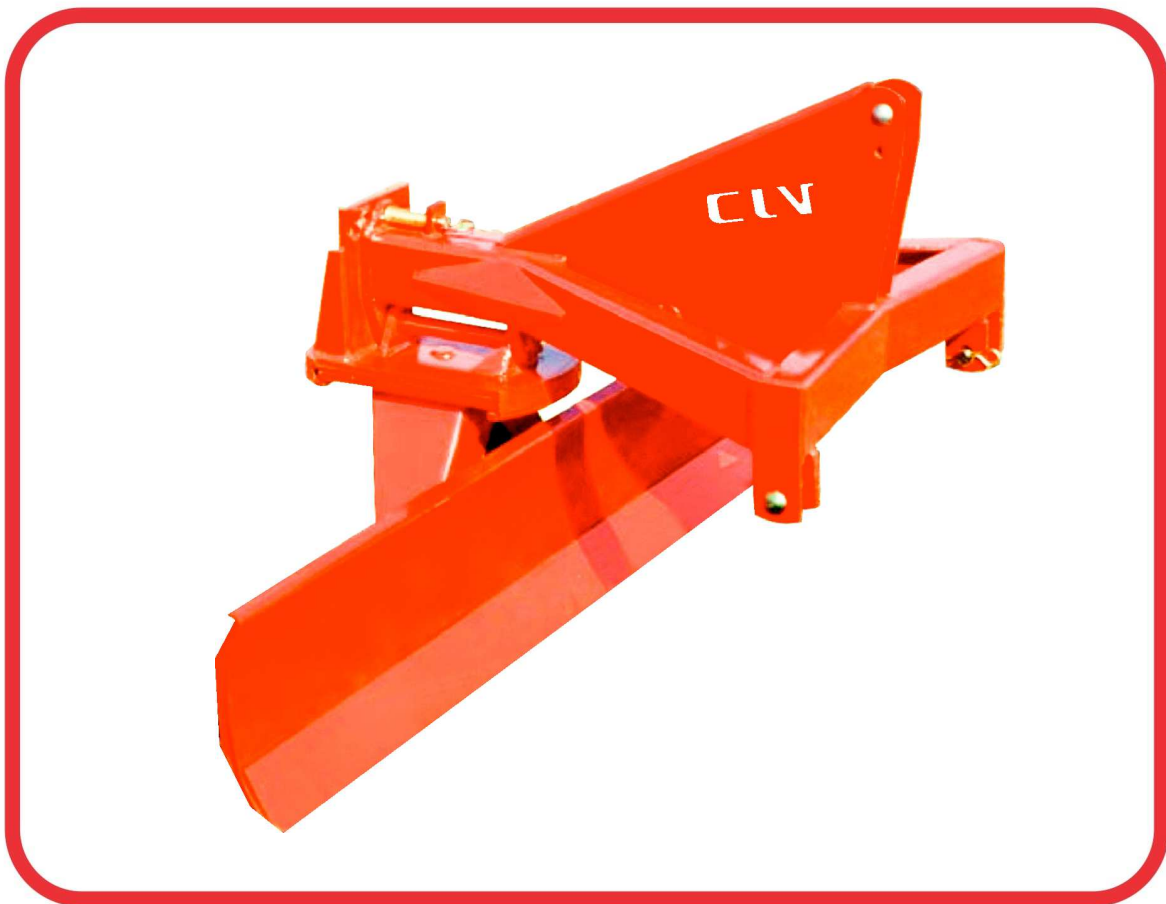


PARTS CATALOGUE

REAR SCRAPER PULL TYPE

LTC 1800

Code: 0501091593



Series: S-0997

Review: MAIO/2016

**ORIGINAL PARTS
CIVEMASA**

civemasa

PRODUCTS

Code	Description	
0120520002	LTC 1800	6153593

ATTENTION: **IMPORTANT**

CIVEMASA RESERVES THE RIGHT AT ANY TIME TO MAKE IMPROVEMENTS IN THE DESIGN, MATERIAL OR SPECIFICATIONS OF MACHINERY, EQUIPMENT OR PARTS WITHOUT THEREBY BECOMING LIABLE TO MAKE SIMILAR CHANGES IN MACHINERY, EQUIPMENT OR PARTS PREVIOUSLY SOLD.

INDEX

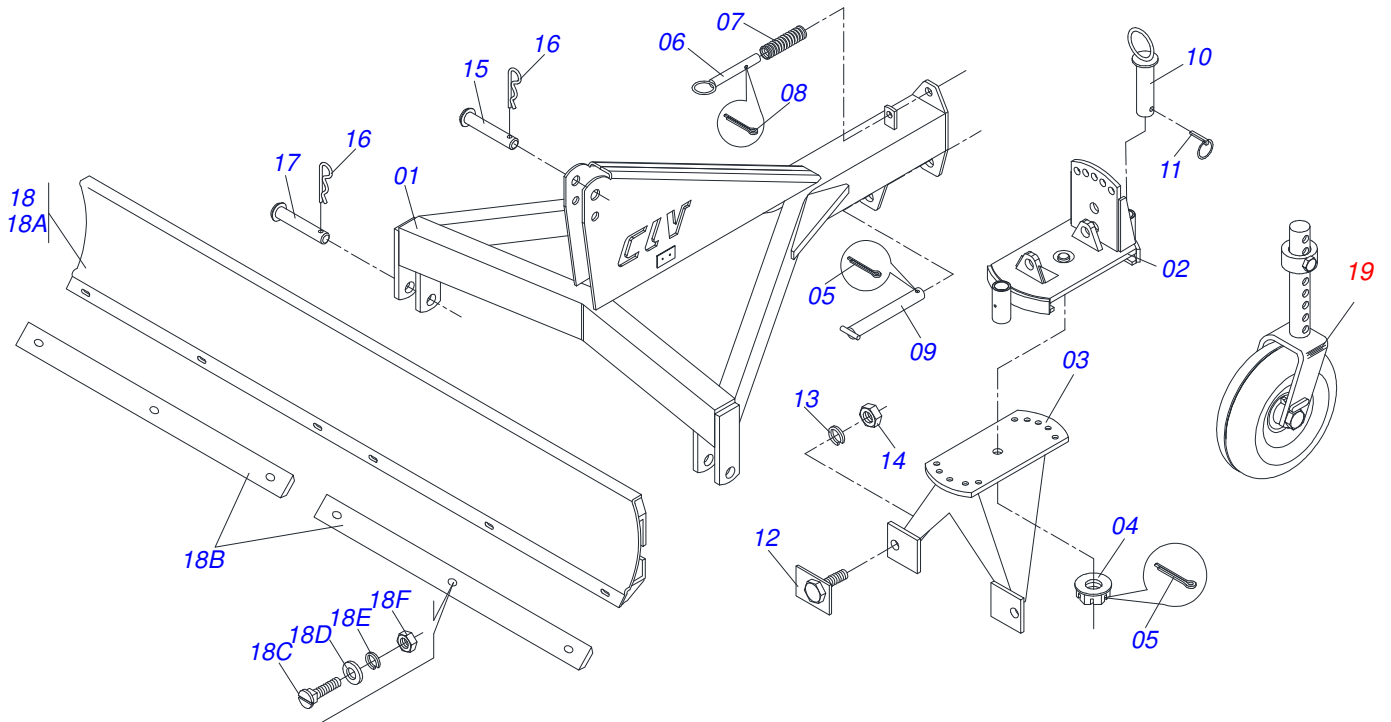
0909093051
0511047879

FRAME LTC 1800
WHEEL FORK ASSY

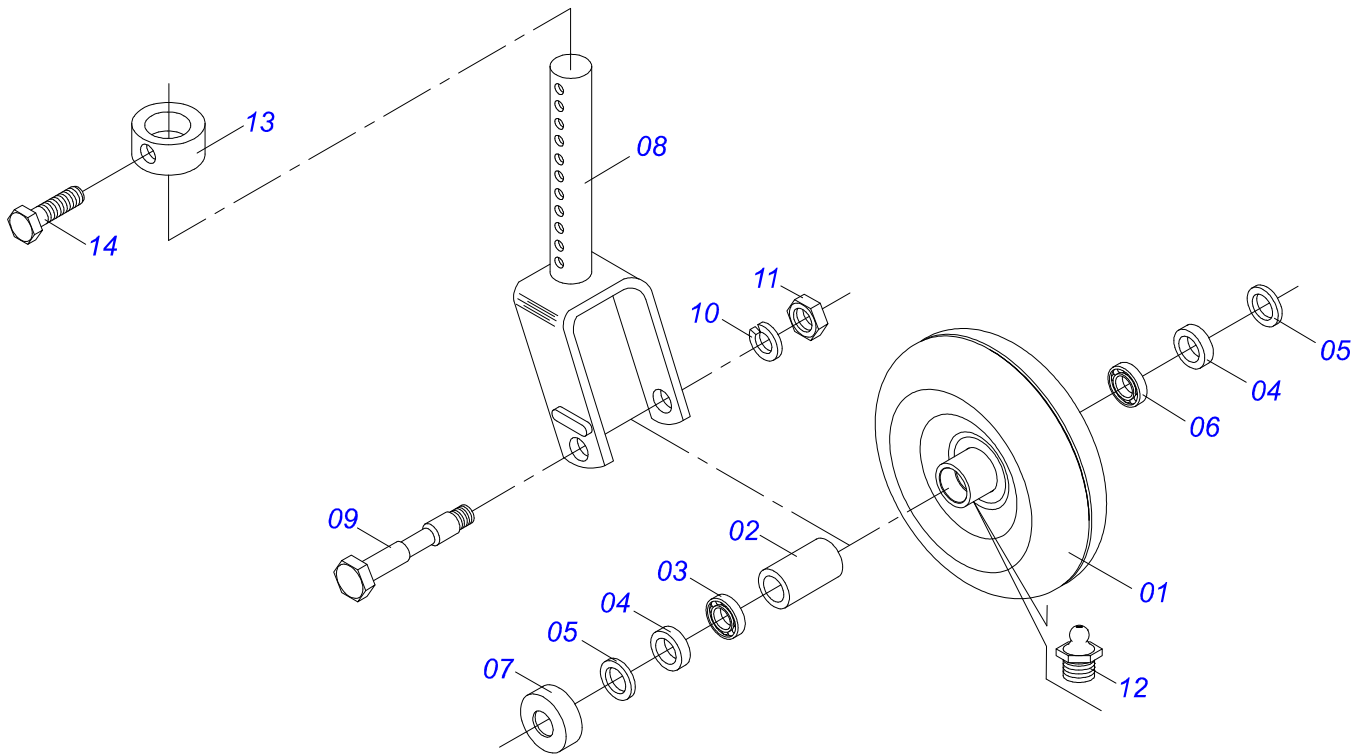
..... 1
..... 2

ORIGINAL PARTS
CIVEMASA

civemasa



Item	Code	Description	QT
01	0521064295	FRAME	01
02	0501063730	REGULATOR BASE	01
03	0501061016	SUPPORT	01
04	0501011301	1.1/2 UNC 6FPP 2.5/16 NUT	01
05	0503010010	1/4" X 2.1/2" COTTERPIN	02
06	0501068990	COUPLING SHAFT	01
07	0503030517	1.27" X 4.72"X 0.9" SPRING	01
08	0503010018	5/32 X 1-1/2 COTTERPIN	01
09	0501062976	PIVOT SHAFT	01
10	0501069239	COUPLING SHAFT	01
11	0503030119	LOCK PIN	01
12	0501061017	ADJUSTMENT LOCKNUT	02
13	0503011438	SPRING WASHER	02
14	0501010059	1.5/8 NUT	02
15	0521010579	COUPLING SHAFT	01
16	0503031035	HAIR PIN	03
17	0521010595	1.1" X 4.3" COUPLING SHAFT	02
18	0501047772	1800 MM BLADE SUPPORT	01
18A	0501068676	70.87" BLADE SUPPORT	01
18B	0521010198	SCRAPER 900 PT S-0997	02
18C	0503012956	1/2" X 1-1/2" BOLT	06
18D	0511017302	FLAT WASHER	06
18E	0503011440	SPRING WASHER	06
18F	0503010020	1/2"NUT	06
19	0511047879	WHEEL FORK ASSY	



Item	Code	Description	QT
01	0501063309	13.8" X 4.33" WHEEL ASSY	01
02	0521010460	0.9" X 1.1" X 2.9" SLEEVE	01
03	0503010269	6204 BALL BEARING	01
04	0521010487	SPACER WASHER	02
05	0503010268	00262-B SEAL	02
06	0503010269	6204 BALL BEARING	01
07	0511014254	DUST CLOAK	02
08	0501066590	WHEEL FORK	01
09	0501017143	WHEEL AXLE	01
10	0503011442	3/4" SPRING WASHER	01
11	0503010014	3/4" NUT	01
12	0503010002	1800 GREASE FITTING	02
13	0502040462	45,4 SLEEVE	02
14	0501018535	1/2 X 1 BOLT	02



email: civemasa@civemasa.com.br

www.civemasa.com.br

Phone: +55 16.3382.8222

Fax: +55 16.3382.8355

MARCHESAN IMPLEMENTOS E MÁQUINAS AGRÍCOLAS "TATU" S.A.

Av. Marchesan, 1979 - Post Office box, 131 - Cep 15994-900 - Matão - Sp - Brasil

CNPJ 52.311.289/0001-63 | Inst. Est.441.000.151.114

Technical Publications: Elaboration

MARINA PEREZ NIZA

Technical Publications: Revision

ALESSANDRA PATRICIA KAWAHARA CARRILI

Contact Catálogo:

E-mail = jgaspari@marchesan.com.br

**ORIGINAIS PARTS
CIVEMASA**