

**FURROWER**

## SATP - 2L

**Code:** 0501091590  
**Series:** S-0207  
**Revision:** 00  
**Revision Date:** AGOSTO/2021

# PARTS CATALOGUE

***CIVEMASA***




# PRODUCTS

Code	Description
0120850116	SATP 2L 2H 61600459 S-0207
0120850119	SATP 2L 2H BH 61601083 S-0207
0120850093C	SATP 2L 2H DC 61600937 EXP S-0207
0120850093	SATP 2L 2H DC 61600937 S-0207
0120850120	SATP 2L 2H DC BH S-0207

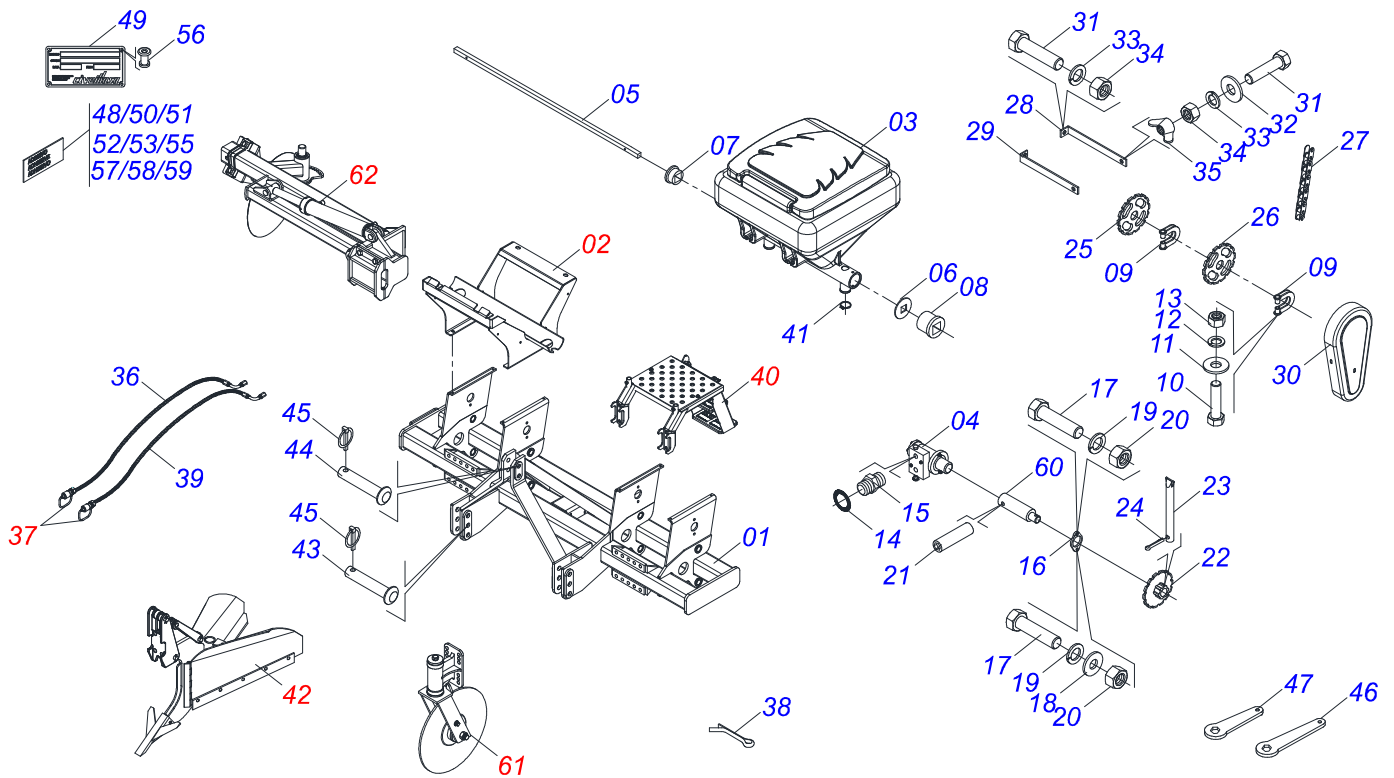
## ATTENTION: IMPORTANT

Civemasa reserves the right to improve and / or modify the technical features of its products, without obligation to do the same with those products already sold and without prior knowledge of the dealer or the consumer.



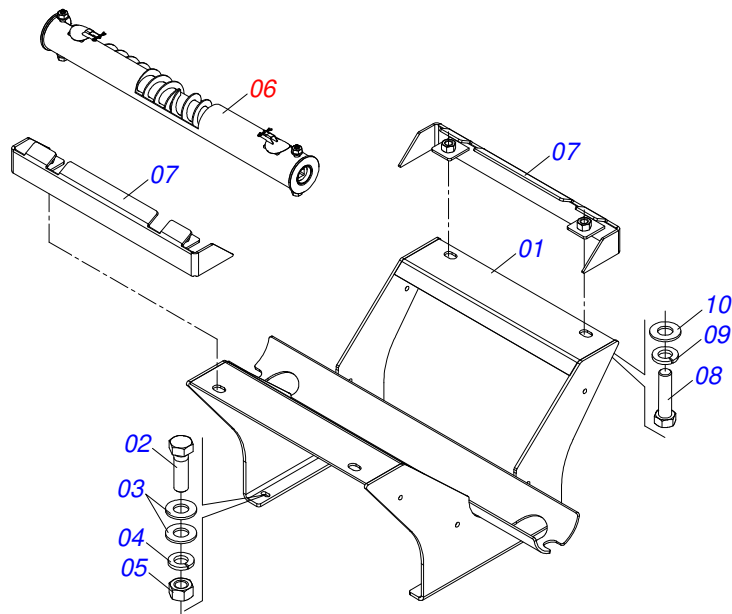
# INDEX

0909094462	ASSY FRAME	.....	1
0511045972	SILO SUPPORT ASSY	.....	2
0501057636	ASSY PARTS BEAN	.....	3
0501053834	MALE QUICK COUPLER WITH CAP - 1/2 NPT	.....	4
0501057649	PLATFORM ASSY	.....	5
0501057647	LADDER ASSY	.....	6
0511045142	FURROWER ARM ASSY	.....	7
0511045143	FURROWER ARM	.....	8
0909094463	MARKER HIDRAULICO	.....	9
0511058449	HYDRAULIC CYLINDER	.....	10

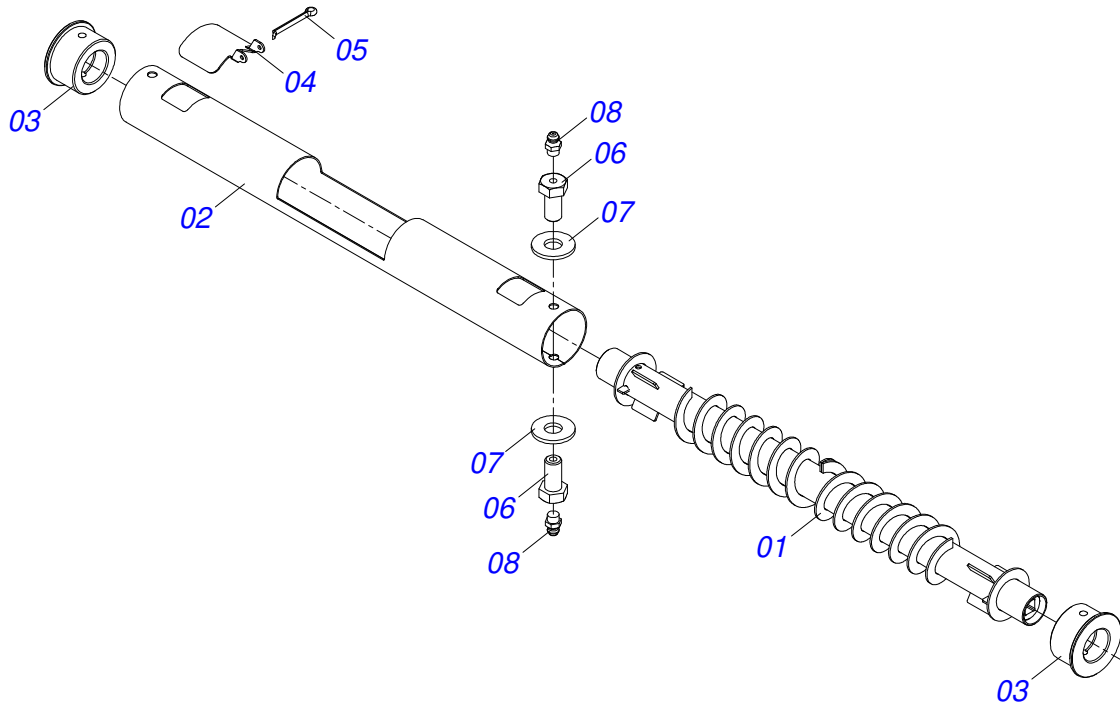


Item	Code	Description	See page	QT
01	0511068794	CHASSI		01
02	0511045972	SILO SUPPORT ASSY	2	02
03	0503061670	COVER ORANGE BOX FERTIL YELLOW		02
04	0503012829	VALVE HYDRAULIC MOTOR ASSY		01
05	0521013959	3/4" X 30.2" SQUARE SHAFT		01
06	0521018630	1.4" X SQUARE 0.8" WASHER		04
07	0503031527	AGRICULTURAL BEARING		02
08	0503030275	AGRICULTURAL BEARING		01
09	0521010691	AXLE FASTENER		02
10	0503010373	SCREW 1/4 UNC X 2 CS G.2 ZN		02
11	0511017303	FLAT WASHER		02
12	0503010143	1/4" SPRING WASHER		02
13	0503010144	1/4" NUT		02
14	0503010045	O'RING		02
15	0501010590	NIPPLE		02
16	0541019115	HYDRAULIC MOTOR FLANGE		01
17	0503011172	BOLT 1/2 UNC X 2.1/2 C S G.5 ZN		02
18	0511017302	FLAT WASHER		01
19	0503010019	1/2" SPRING WASHER		02
20	0503010060	1/2" NUT		02
21	0503011807	SCREW M8 X 1,25X10		02
22	0502011317	10Z P 1.2" RH 1.3/8" GEAR		01
23	0521010530	COUPLING SHAFT		01
24	0503010140	1/8" X 3/4" COTTERPIN		01
25	0502011318	10Z GEAR		01
26	0502011349	18Z P 1.2" SH 3/4" GEAR		01
27	0503014266	2050 CHAIN X 31 LINK + MENDING+REDUCTION		01
28	0551015602	CHAIN CAP UPPER SUPPORT		02
29	0551015603	CHAIN CAP LOWER SUPPORT		01
30	0503032927	CHAIN CAP BLACK		01
31	0503011087	3/8" X 1" BOLT		05

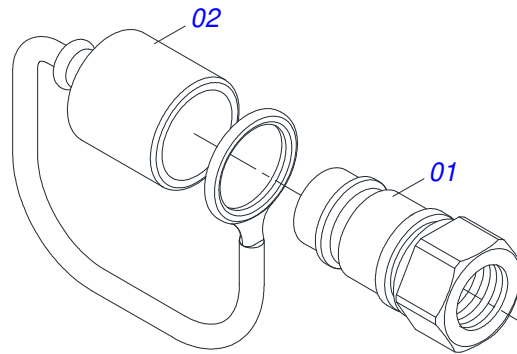
Item	Code	Description	See page	QT
32	0501010984	FLAT WASHER		03
33	0503010025	3/8" SPRING WASHER		05
34	0503010026	3/8" NUT		02
35	0503010209	3/8" UNC BUTTERFLY NUT		03
36	0501080630	1/2" X 78" TC-TM HOSE ASSY		02
37	0501053834	MALE QUICK COUPLER WITH CAP - 1/2 NPT	4	02
38	0503010257	1/8" X 1" COTTERPIN		02
39	0501082219	HOSE 2.1/2 X 1430		04
40	0501057649	PLATFORM ASSY	5	01
41	0503011266	CLAMP 2.1/4" A 3" 57-76		04
42	0511045142	FURROWER ARM ASSY	7	02
43	0521012124	COUPLING SHAFT		02
44	0521012533	COUPLING SHAFT		01
45	0503030085	LOCK PIN		03
46	0521012126	1.3" CABLE FLAT WRENCH HEX		01
47	0521012199	1.6" GANG BOLT WRENCH		01
48	0503033323	BADGE		02
49	0503034004	ALUMINUM IDENTIFICATION LABEL		01
50	0503032930	ADHESIVE LABEL DANGER		04
51	0503031428	READ MANUAL DECAL		01
52	0503033038	DANGER SIGN		01
53	0503031827	LUBRICATE AND RETIGHTEN DAILY DECAL		01
54	0511022307	BOX WITH 02 POINTS		01
55	0503033237	ADHESIVE LABEL		02
56	0503010001	3.2 X 5.5 RIVET		04
57	0503034816	BADGE		01
58	0503033246	ADHESIVE LABEL		01
59	0503031739	ADHESIVE LABEL		01
60	0531062076	HIDRAULIC MOTOR AXLE		01
61	0511044355	24" BLADE DISC ASSY		02
62	0909094463	MARKER HIDRAULICO	9	02



Item	Code	Description	See page	QT
01	0511068657	SILO SUPPORT		01
02	0503010849	3/8" X 1-1/2" BOLT		04
03	0501010984	FLAT WASHER		08
04	0503010025	3/8" SPRING WASHER		04
05	0503010026	3/8" NUT		04
06	0501057636	ASSY PARTS BEAN	3	01
07	0511068656	FERTILIZER BEAM LOCK		02
08	0503010233	5/8" X 2-1/2" BOLT		04
09	0503010027	5/8" SPRING WASHER		04
10	0501012140	FLAT WASHER		04

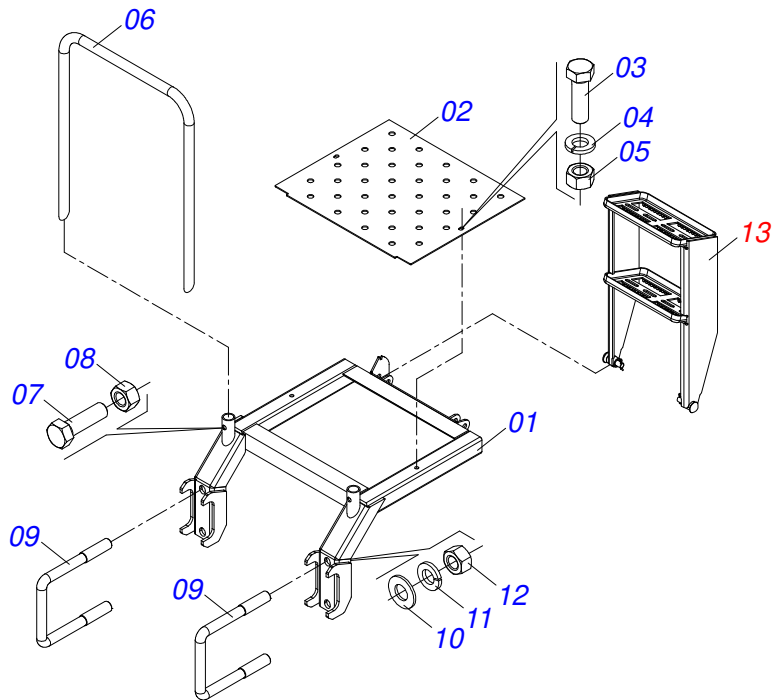


Item	Code	Description	See page	QT
01	0511068620	FERTILIZER CONDUCTOR		01
02	0551015492	TUBE COATED		01
03	0551015225	FERTILIZER CONDUCTOR BEARING		02
04	0581019213	FERTILIZER DISTRIBUTOR COVER		02
05	0503010362	1/8" X 1.1/4" COTTERPIN		02
06	0541014215	BEARING BOLT		04
07	0511017302	FLAT WASHER		04
08	0503010691	1/4" GREASE FITTING		04

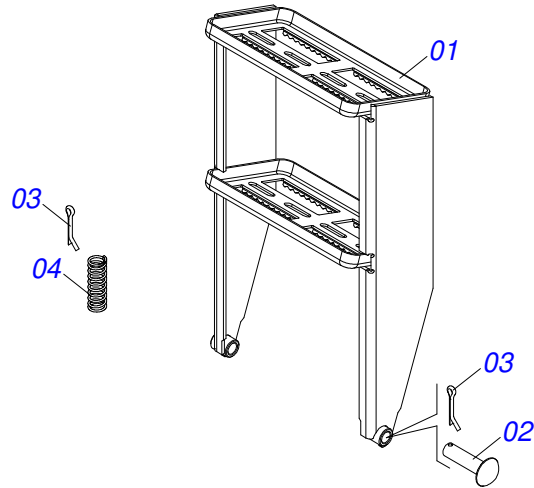


Item	Code	Description	See page	QT
01	0503011627	MALE QUICK COUPLER AGR 1/2 NPT		01
02	0503011882	MALE QUICK COUPLER CAP		01

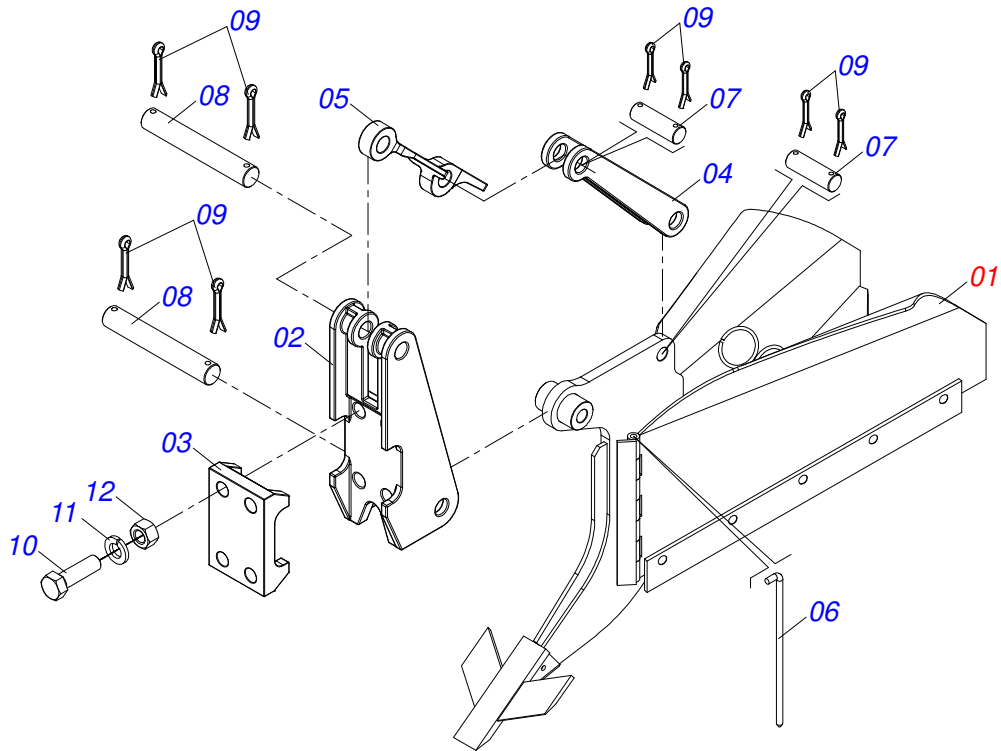




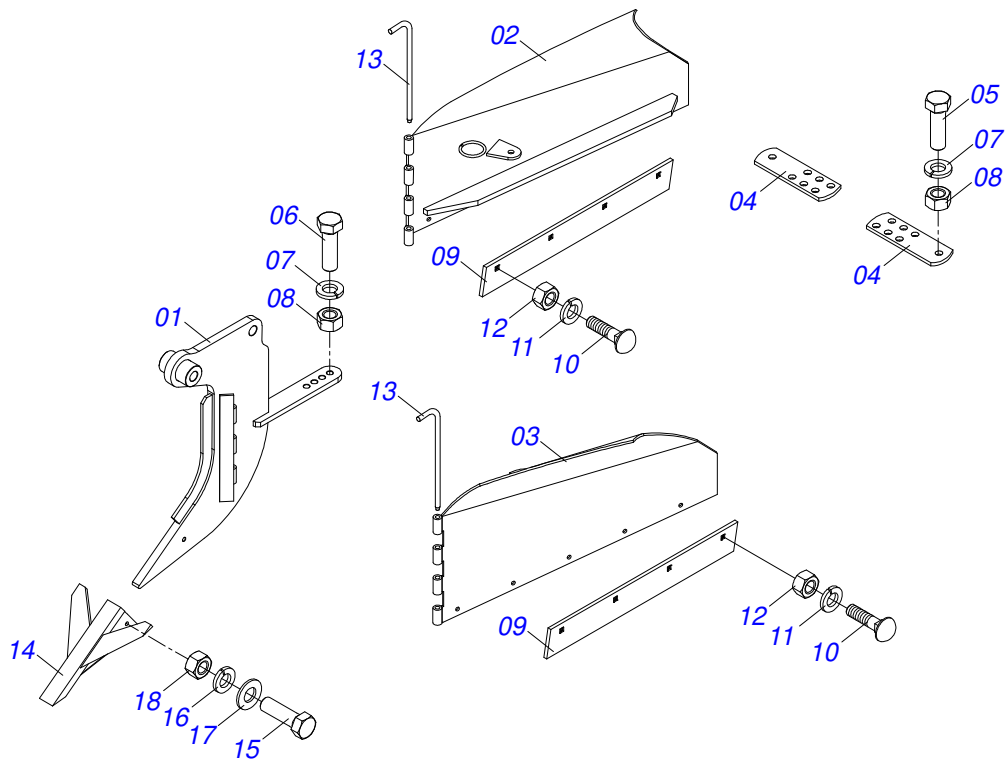
Item	Code	Description	See page	QT
01	0511068710	PLATFORM SACM/SA-T S-0207		01
02	0541018908	PLATFORM BODY		01
03	0503011268	3/8" X 2-1/2" BOLT		02
04	0503010025	3/8" SPRING WASHER		02
05	0503010026	3/8" NUT		02
06	0551015666	HANDRAIL BODY		01
07	0503011267	BOLT 5/8 UNC X 1.1/2 C S G.5 ZN		02
08	0503010013	5/8" NUT		02
09	0521014574	3/4" FASTENE		02
10	0501010322	FLAT WASHER		04
11	0503010023	3/4" SPRING WASHER		04
12	0503010014	3/4" NUT		04
13	0501057647	LADDER ASSY	6	01



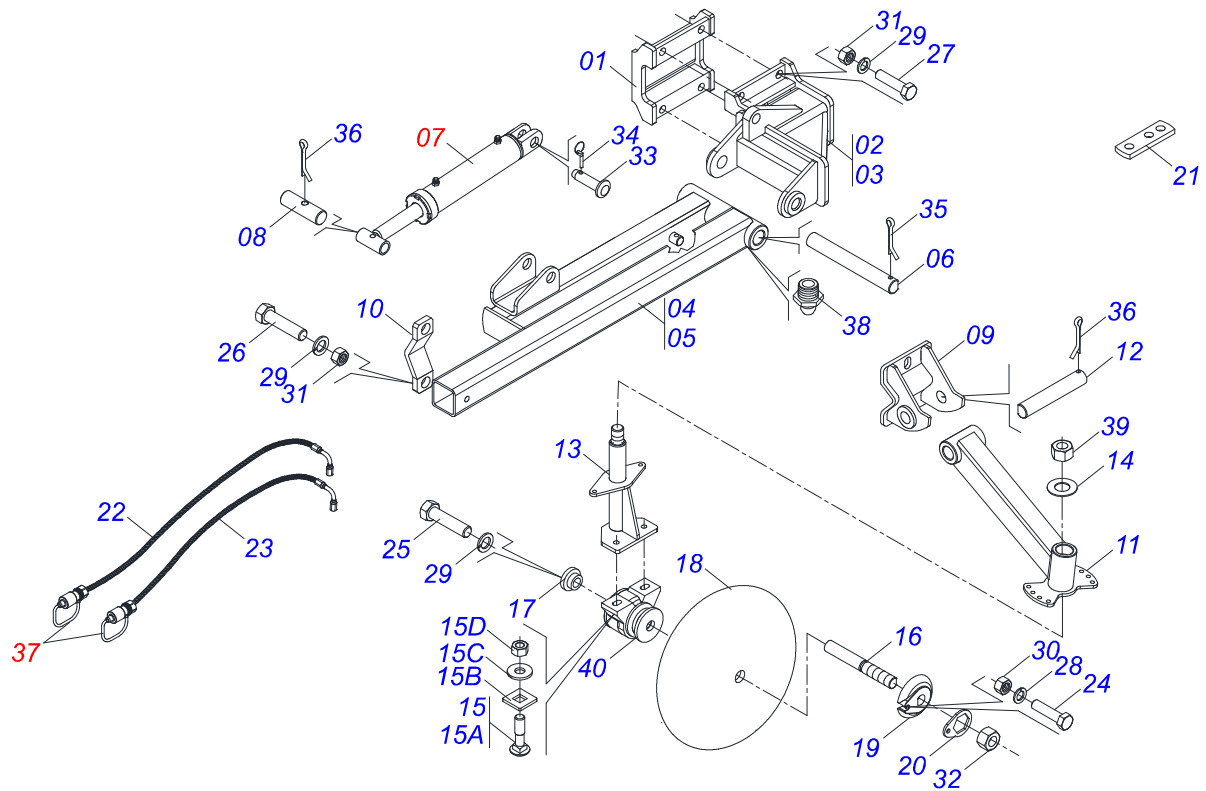
Item	Code	Description	See page	QT
01	0501069281	RIGHT LADDER		01
02	0521010542	COUPLING SHAFT		02
03	0503010257	1/8" X 1" COTTERPIN		03
04	0503030190	0.5" X 1.6" X 0.05" SPRING		01



Item	Code	Description	See page	QT
01	0511045143	FURROWER ARM	8	01
02	0502011165	REAR FIXER		01
03	0502011166	FRONT FIXER		01
04	0502011164	SUPPORT SPRING		01
05	0521011631	AUTOMATIC RESET		01
06	0521012821	PIVOT SHAFT		02
07	0511015689	1.1" X 3.5" COUPLING SHAFT		02
08	0511015688	1.1" X 7.1" COUPLING SHAFT		02
09	0503010571	1/4" X 1.1/2 COTTERPIN		08
10	0511019527	1" X 8" BOLT		04
11	0503011438	SPRING WASHER		04
12	0503010340	1" NUT		04

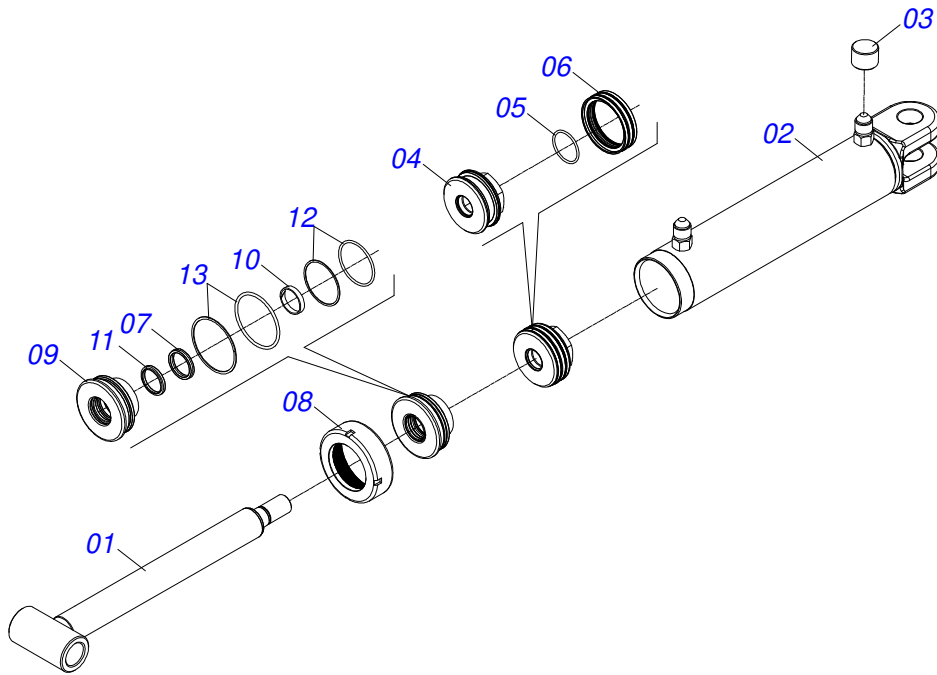


Item	Code	Description	See page	QT
01	0501069713	FURROWER ARM		01
02	0511067531	WING RIGHT SET		01
03	0511067530	WING LEFT SET		01
04	0551011638	ADJUSTMENT BAR		02
05	0501010100	SCREW 5/8 UNC X 2 CS G.5 ZN		02
06	0503010233	5/8" X 2-1/2" BOLT		01
07	0503010027	5/8" SPRING WASHER		03
08	0503010013	5/8" NUT		03
09	0551013447	SCRAPER		02
10	0503012956	1/2" X 1-1/2" BOLT		10
11	0503010019	1/2" SPRING WASHER		10
12	0503012682	1/2" BSW NUT		10
13	0521012821	PIVOT SHAFT		02
14	0511067839	POINT PLOW ALADA UNIVERSAL		01
15	0503011236	3/8" X 2" BOLT		01
16	0501010984	FLAT WASHER		01
17	0503010025	3/8" SPRING WASHER		01
18	0503010026	3/8" NUT		01



Item	Code	Description	See page	QT
01	0511067457	ROW MARKER FIXER		02
02	0511067458	SUPPORT RIGHT BOLLARD		01
03	0511067459	LEFT SUPPORT ROW MARKER		01
04	0511067460	RIGHT ARM ROW MARKER		01
05	0511067461	LH ARM ROW MARKER		01
06	0521012187	WHEEL AXLE ARM		02
07	0511058449	HYDRAULIC CYLINDER	10	02
08	0511015779	1" X 4.2" AXLE		02
09	0511067462	ARM SUPPORT OSCILLATING		02
10	0502010175	HITCH CLAMP		02
11	0511067463	OSCILLATING ARM ROW MARKER		02
12	0551010402	34,93 X 160,50/161 AXLE		02
13	0511063099	DISC REG SUPPORT LOWER		02
14	0521012120	WASHER		02
15	0501048963	5/8" X 2-1/2" BOLT ASSY		04
15A	0501014177	5/8" X 2-1/2" BOLT		01
15B	0501010947	5/8 NUT LOCK		01
15C	0501012140	FLAT WASHER		01
15D	0503010013	5/8" NUT		02
16	0521015310	1.1/4 UNC X 206 AXLE		02
17	0521015311	WASHER		02
18	0601025115	DL18X3 C44AF02FR33,33 EZZE-ON		02
19	0502010835	1-1/4" EXTERNAL AXLE WASHER		02
20	0501010455	1.1/4" NUT LOCK		02
21	0561019087	DRAWBAR TRANSPORT LOCK		02
22	0501080473	3/8" X 120" TC-TM HOSE		02
23	0501080722	3/8 X 3300 TC-TM HOSE ASSY		02
24	0501010161	1/2" X 1.1/4" BOLT		02
25	0501010098	3/4" UNC BOLT		02
26	0503010901	3/4UNC 3.1/2 BOLT		04
27	0503011084	3/4" X 5" BOLT		08

Item	Code	Description	See page	QT
28	0503010019	1/2" SPRING WASHER		02
29	0503010023	3/4" SPRING WASHER		14
30	0503010060	1/2" NUT		02
31	0503010014	3/4" NUT		12
32	0501010087	1.1/4" NUT		02
33	0521010577	0.9" X 4.1" COUPLING SHAFT		02
34	0503030085	LOCK PIN		02
35	0503010571	1/4" X 1.1/2 COTTERPIN		02
36	0503010523	1/4" X 2" COTTERPIN		06
37	0501053834	MALE QUICK COUPLER WITH CAP - 1/2 NPT	4	04
38	0503010002	1800 GREASE FITTING		02
39	0501010110	1.1/2" NUT		02
40	0501049010	BEARING		02



Item	Code	Description	See page	QT
01	0521066635	TURNBUCKLE		01
02	0511062810	2.5" X 15"CYLINDER CASE		01
03	0503030385	CYLINDER PLUG N-002		02
04	0502012837	PISTON		01
05	0503011109	2-119 N 3006-9B O'RING		01
06	0503018005	RING		01
07	0503018003	GASKET		01
08	0502010471	MOBILE COVER		01
09	0581010668	RING SUPPORT		01
10	0503010163	D-1500 SCRAPER RING		01
11	0503018004	RING		01
12	0503018163	BACK-UP RING		02
13	0503018162	O'RING		02







***civemasa***

**Technical Publications | Elaboration and Revision**

MARINA PEREZ NIZA

[www.civemasa.com.br](http://www.civemasa.com.br)

