

**TERRACING PLOW**

**TCL - 16/18D**

**Code:** 0501091589

**Series:** S-0214

**Revision:** 00

**Revision Date:** MARCO/2016

# PARTS CATALOGUE

***CIVEMASA***

A solid orange horizontal bar is positioned at the top left of the page, above the "PRODUCTS" heading.

# PRODUCTS

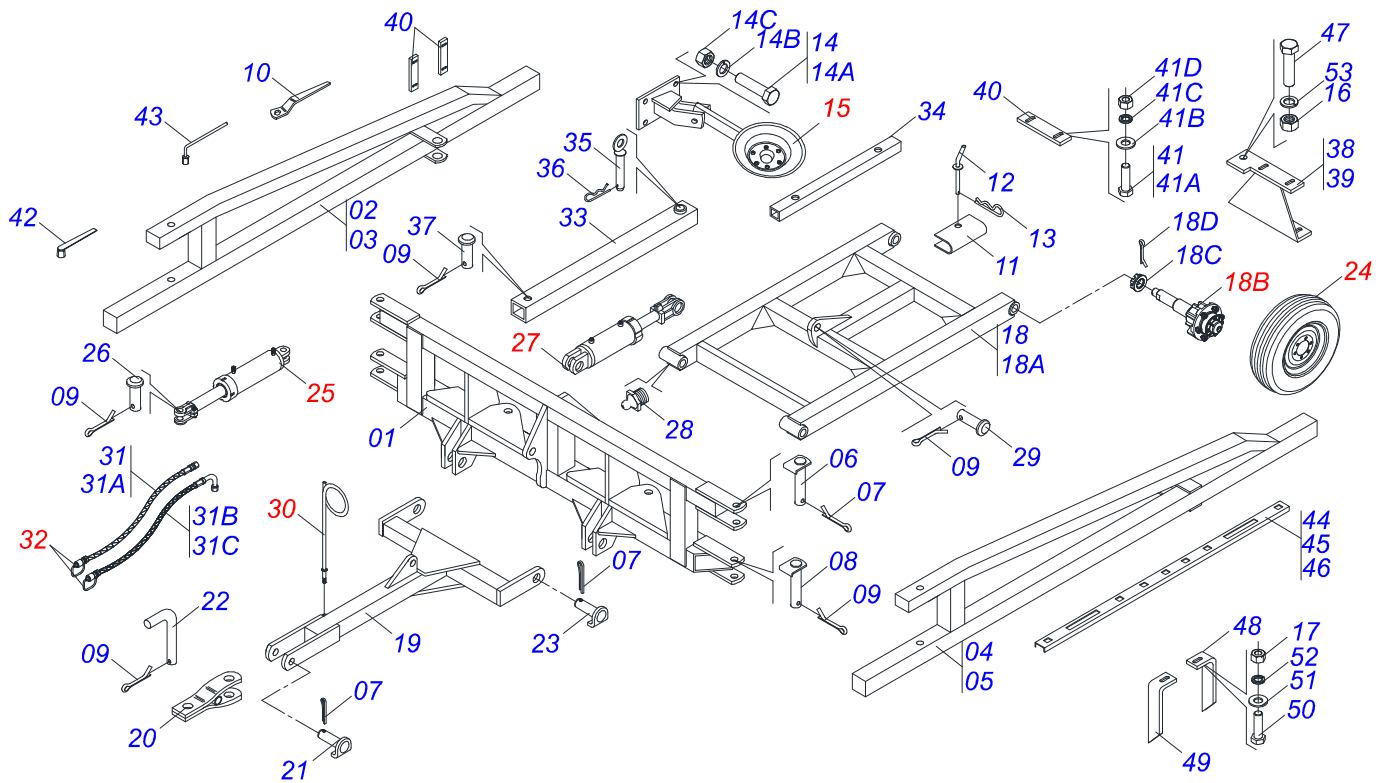
<b>Code</b>	<b>Description</b>
0120810001	TCL 16 X 26 X 6,0 L DESMON 61320019
0120810009	TCL 16 X 26 X 6,00 DM P11L15 S-0214
0120810010	TCL 18 X 26 X 6,00 DM P11L15 S-0214

## **ATTENTION: IMPORTANT**

Civemasa reserves the right to improve and / or modify the technical features of its products, without obligation to do the same with those products already sold and without prior knowledge of the dealer or the consumer.

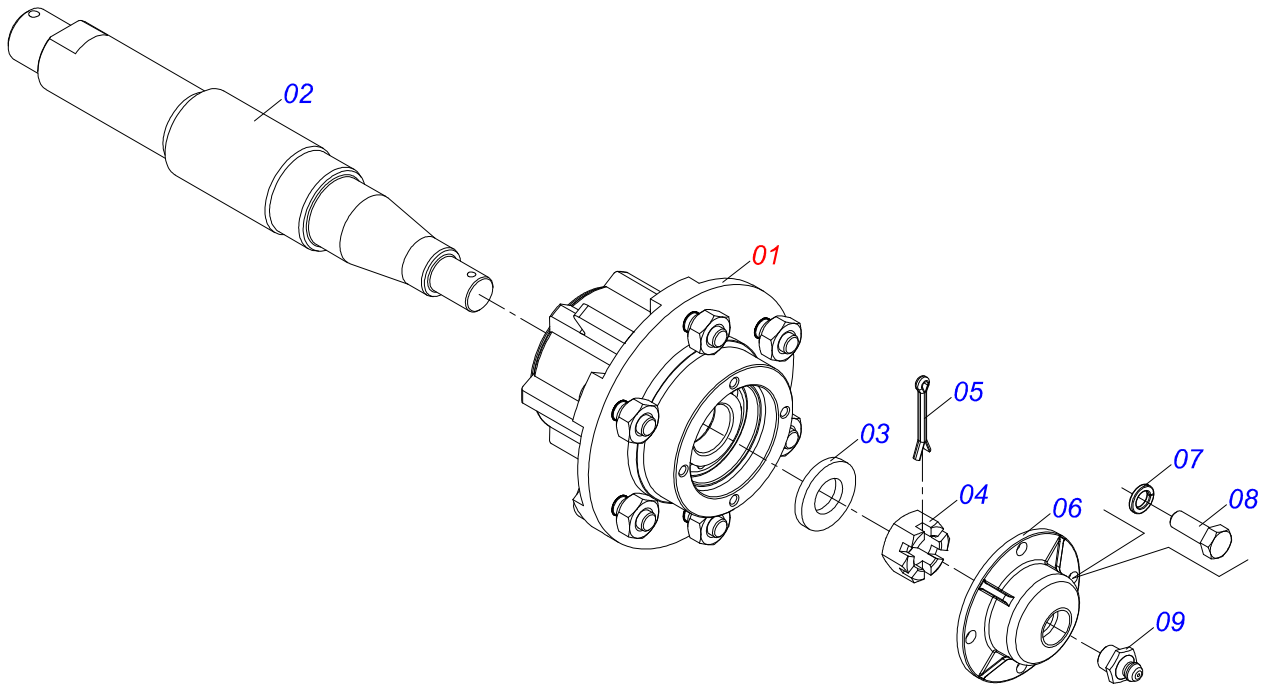
# INDEX

0909090339	FRAME ASSY	.....	1
0501051634	TSTUB SHAFT & HUB ASSY	.....	2
0501051142	CARRYING WHEEL HUB	.....	3
0503060091	L29.5"X0.63"-10L WHEEL AND	.....	4
0501049338	HYDRAULIC CYLINDER 44,45 X 85,72 X 515 X 203	.....	5
0511045849	50,8 X 101,6 X 680 X 397 HYDRAULIC CYLINDER	.....	6
0501040257	3/4 X 1200 HOSE HOLDER A	.....	7
0501053834	MALE QUICK COUPLER WITH CAP - 1/2 NPT	.....	8
0909090451	FURROW WHEEL	.....	9
0909090452	GANG DISC	.....	10
0909090453	AGRICULTURAL BEARING	.....	11
0909090454	225 X 1.5/8" OIL BATH BEARING	.....	12

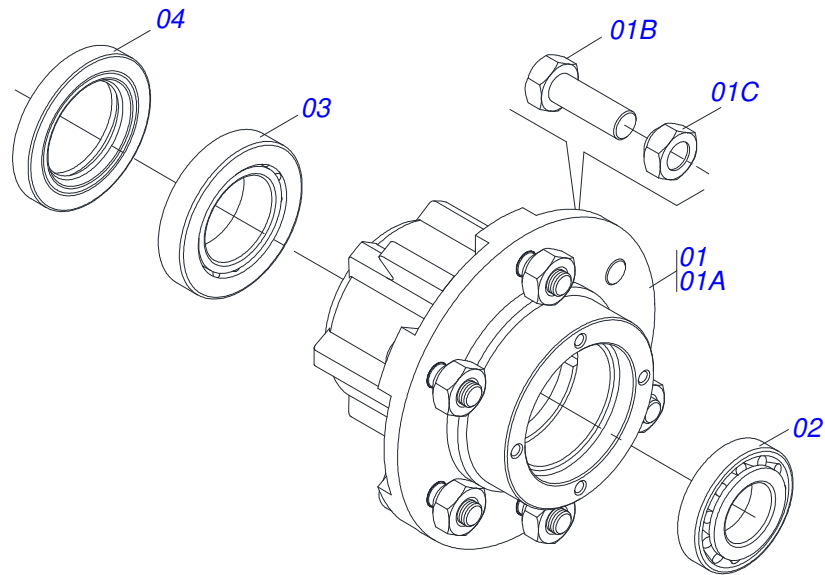


Item	Code	Description	See page	16	18
01	0521062935	FRONT FRAME		01	01
02	0501066500	RIGHT SIDE FRAME		01	00
03	0501066502	RIGHT SIDE FRAME		00	01
04	0501066501	LEFT SIDE FRAME		01	00
05	0501066503	LEFT SIDE FRAME		00	01
06	0501064138	1.4" X 4.7" COUPLING SHAFT		02	02
07	0503010534	3/8 X 2-1/2 COTTERPIN		11	11
08	0521010581	0.9" X 4.9" COUPLING SHAFT		02	02
09	0503010523	1/4" X 2" COTTERPIN		09	09
10	0501011431	1-3/4" GANG BOLT WRENCH		02	02
11	0551015095	TRANSPORT LOCK		01	01
12	0541016844	FIXER LOCK		02	02
13	0503030168	HAIR PIN		01	01
14	0501041894	1" X 7" ASSY BOLT		08	08
14A	0501010334	1" X 7" BOLT		08	08
14B	0503010012	1" SPRING WASHER		08	08
14C	0501010059	1.5/8 NUT		08	08
15	0909090451	FURROW WHEEL	9	01	01
16	0503010014	3/4" NUT		04	06
17	0503010060	1/2" NUT		24	26
18	0511045888	WHEEL SUPPORT ASSY		01	01
18A	0511068568	WHEEL SUPPORT		01	01
18B	0501051634	TSTUB SHAFT & HUB ASSY	2	02	02
18C	0501011301	1.1/2 UNC 6FPP 2.5/16 NUT		02	02
18D	0503010010	1/4" X 2.1/2" COTTERPIN		02	02
19	0501064288	DRAWBAR		01	01
20	0501064172	TRACTOR HITCH		01	01
21	0501064139	1.4" X 6.35" COUPLING SHAFT		01	01
22	0521010453	AXI SHAFT		01	01
23	0501064137	1.4" X 4.13" COUPLING SHAFT		02	02
24	0503060091	L29.5"X0.63"-10L WHEEL AND	4	02	02

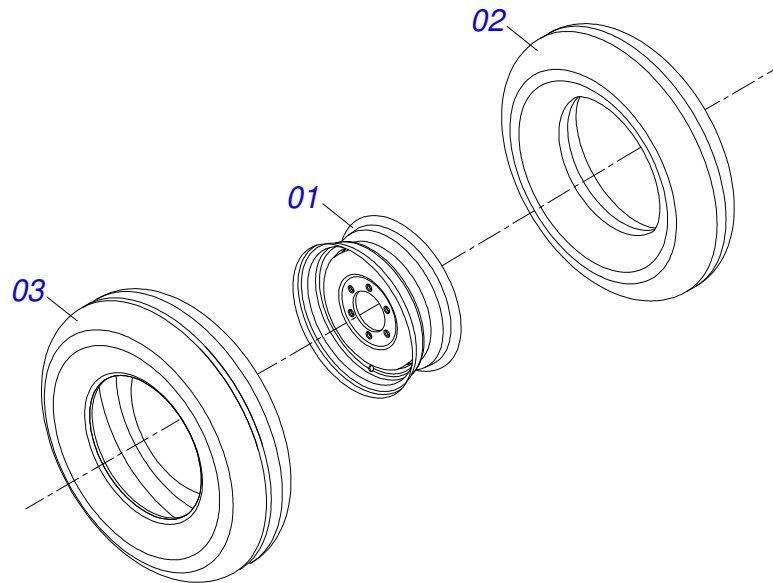
Item	Code	Description	See page	16	18
25	0501049338	HYDRAULIC CYLINDER 44,45 X 85,72 X 515 X 203	5	01	01
26	0521012538	1.2" X 3.5" COUPLING SHAFT		02	02
27	0511045849	50,8 X 101,6 X 680 X 397 HYDRAULIC CYLINDER	6	01	01
28	0503010002	1800 GREASE FITTING		02	02
29	0521012538	1.2" X 3.5" COUPLING SHAFT		02	02
30	0501040257	3/4 X 1200 HOSE HOLDER A	7	01	01
31	0501051039	HOSE ASSY		01	01
31A	0501080384	TR-TM HOSE ASSY		02	02
31B	0501080365	HOSE 3/8 X 3500 TC-TM		01	01
31C	0501080385	3/8" X 149" TC-TM HOSE ASSY		01	01
32	0501053834	MALE QUICK COUPLER WITH CAP - 1/2 NPT	8	04	04
33	0501069011	BODY TAB REGULATOR		02	02
34	0511068596	ADJUSTMENT BAR ASSY		02	02
35	0501068995	25 X 110 MM LOCK AXLE		02	02
36	0503031035	HAIR PIN		02	02
37	0521010579	COUPLING SHAFT		02	02
38	0501066459	RH BRACKET		02	03
39	0501066460	LH BRACKET		02	03
40	0501013907	FIXER PLATE		02	03
41	0501040733	1" X 8" ASSY BOLT		08	12
41A	0501014172	1" X 8" BOLT		08	12
41B	0501010065	1" SPRING WASHER		16	20
41C	0503011438	SPRING WASHER		16	20
41D	0501010059	1.5/8 NUT		16	20
42	0501061617	1" GANG BOLT WRENCH		01	01
43	0501061609	3/4" WRENCH CABLE CYLINDRICAL		01	01
44	0511014062	106" BAR FIXER SCRAPER		02	00
45	0521012744	105" BAR FIXER SCRAPER		02	00
46	0511014063	121" BAR FIXER SCRAPER		00	02
47	0501010827	3/4" X 2-3/4" BOLT		04	06
48	0501018409	FRONT SCRAPER BODY		12	13
49	0501018410	REAR SCRAPER BODY		12	13
50	0503011082	C1/2" X 1.3/4" SCREW		24	26
51	0511017302	FLAT WASHER		24	26
52	0503010019	1/2" SPRING WASHER		24	26
53	0501010322	FLAT WASHER		04	06



Item	Code	Description	See page	QT
01	0501051142	CARRYING WHEEL HUB	3	01
02	0521010821	2.5" X 16.5" AXLE		01
03	0501016545	FLAT WASHER		01
04	0503030009	1" CASTLE NUT		01
05	0503010018	5/32 X 1-1/2 COTTERPIN		01
06	0502020591	PROTECCION COVER		01
07	0503011444	SPRING WASHER		04
08	0503010358	5/16" X 5/8" BOLT		04
09	0503010002	1800 GREASE FITTING		01

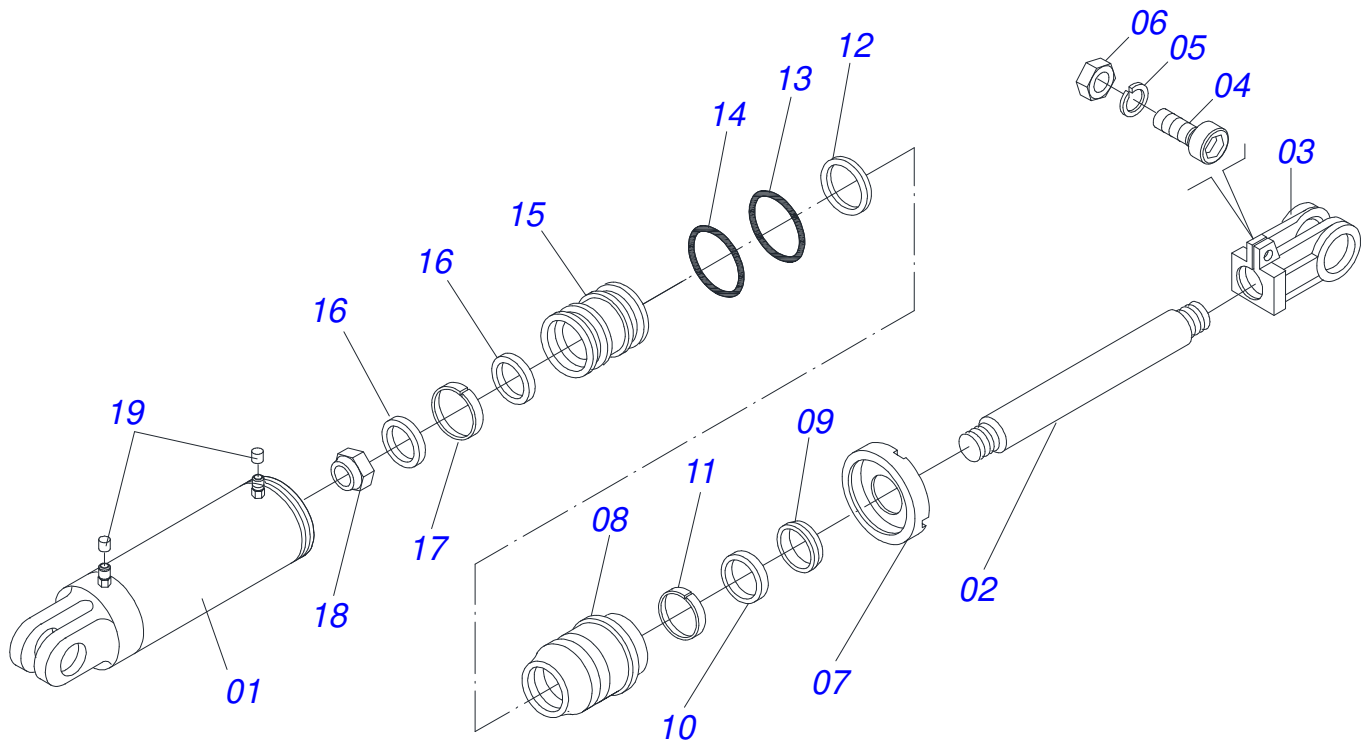


Item	Code	Description	See page	QT
01	0501110728	WHEEL HUB		01
01A	0502011121	CARRYING WHEEL HUB		01
01B	0501010127	9/16" X 1-7/8" LUG BOLT		06
01C	0503010035	9/16" CONIC NUT		06
02	0503010037	30207 ROLLER BEARING		01
03	0503010006	32210 ROLLER BEARING		01
04	0503012928	SEAL		01

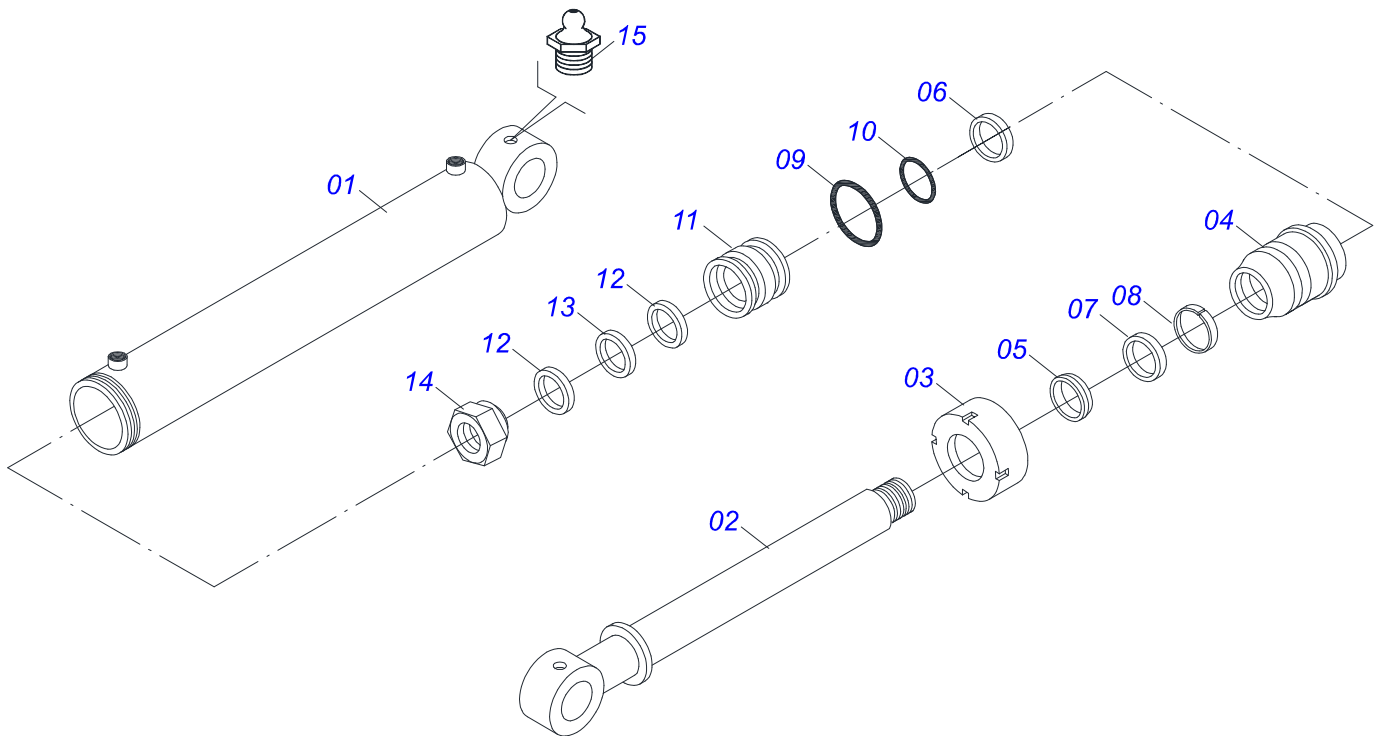


Item	Code	Description	See page	QT
01	0503010893	WHEEL		01
02	0503010033	7.50 X 16 INNER TIRE		01
03	0503010120	CANVAS TIRE		01

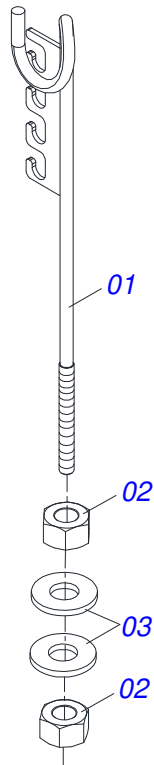




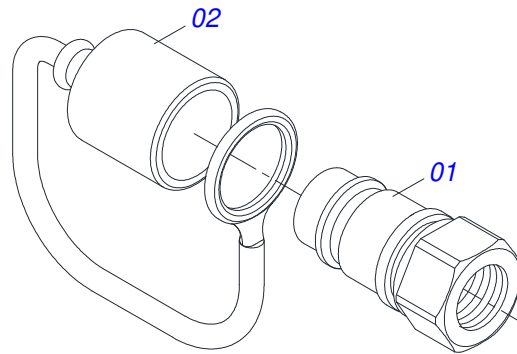
Item	Code	Description	See page	QT
01	0511061588	3.4" X 16" CYLINDER CASE		01
02	0521010421	HYDRAULIC CYLINDER TURNBUCKLE		01
03	0502040747	32.54 CLEVIS CLAMP		01
04	0503011094	3/8" X 2" BOLT		01
05	0503010025	3/8" SPRING WASHER		01
06	0503010026	3/8" NUT		01
07	0502010993	DETACHABLE COVER		01
08	0502010781	RING SUPPORT		01
09	0503010761	D-1750 SCRAPER RING		01
10	0503010990	GASKET		01
11	0503010949	W2-2000-500 PK RING G.E		01
12	0503011060	8-336 BACK-UP RING		01
13	0503010976	2-336 N 3006-9B O'RING		01
14	0503010042	2-214 N 3006-9B O'RING		01
15	0502010843	1.8" X 3.4" PISTON		01
16	0503010170	PACKING 3120 2750		02
17	0503010948	W4-3346-590 PK RING G.E		01
18	0503010063	1" SELF-ALIGNING NUT		01
19	0503030385	CYLINDER PLUG N-002		02
20	0501031796	HYDRAULIC CYLINDER REPAIR KIT		01



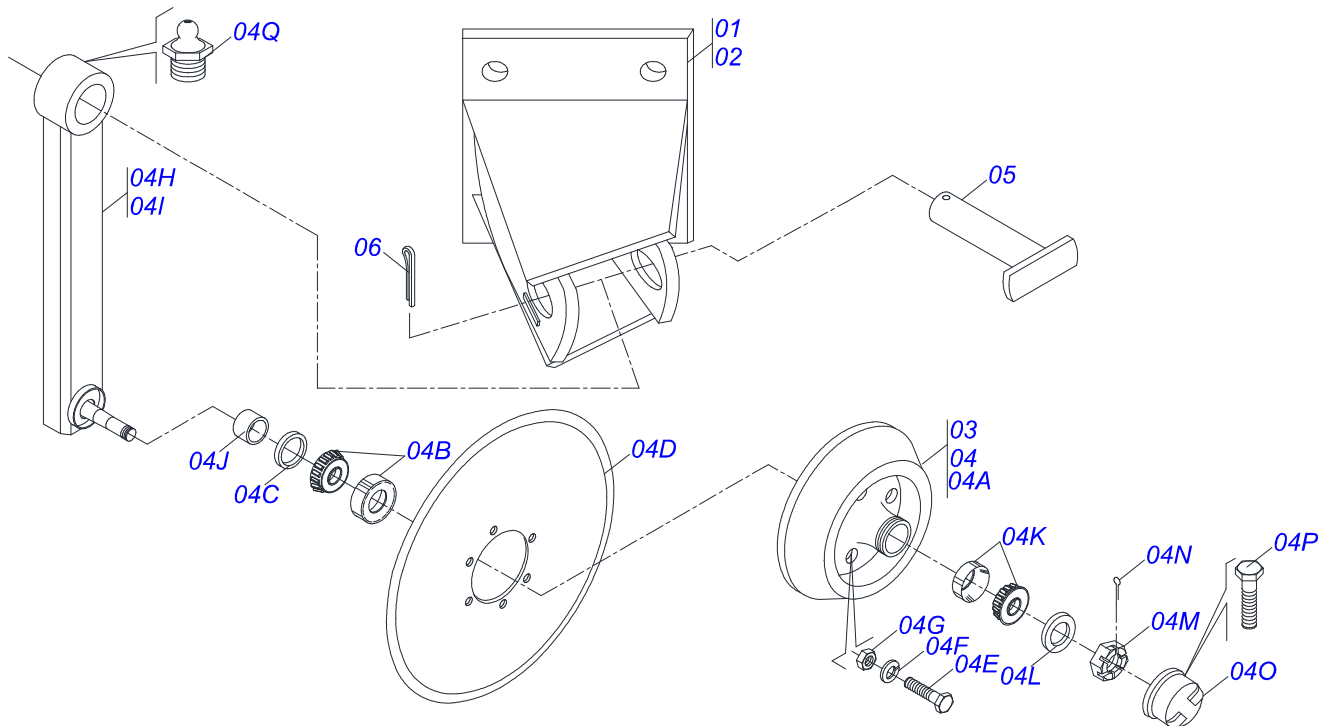
Item	Code	Description	See page	QT
01	0511068567	101,6 X 515 CYLINDER CASE		01
02	0511068566	TURNBUCLE WITH BUSHING		01
03	0502010017	4" HEAD		01
04	0502010778	2" X 4.2" RING SUPPORT		01
05	0503010039	D-2000 SCRAPER RING		01
06	0503010991	1870-2000-375-B GASKET		01
07	0503010952	W2-2250-500 RING		01
08	0503011061	8-342 BACK-UP RING		01
09	0503010338	2-342 N 3006-9B O'RING		01
10	0503010345	2-218 N 3006-9B O'RING		01
11	0502010992	2.0" X 4.0" PISTON		02
12	0503010043	PACKING 3750-3250		02
13	0503010994	W2-4000-500 PK RING G.E		01
14	0503010817	1.1/4" SELF LOCKING NUT		01
15	0503010002	1800 GREASE FITTING		02



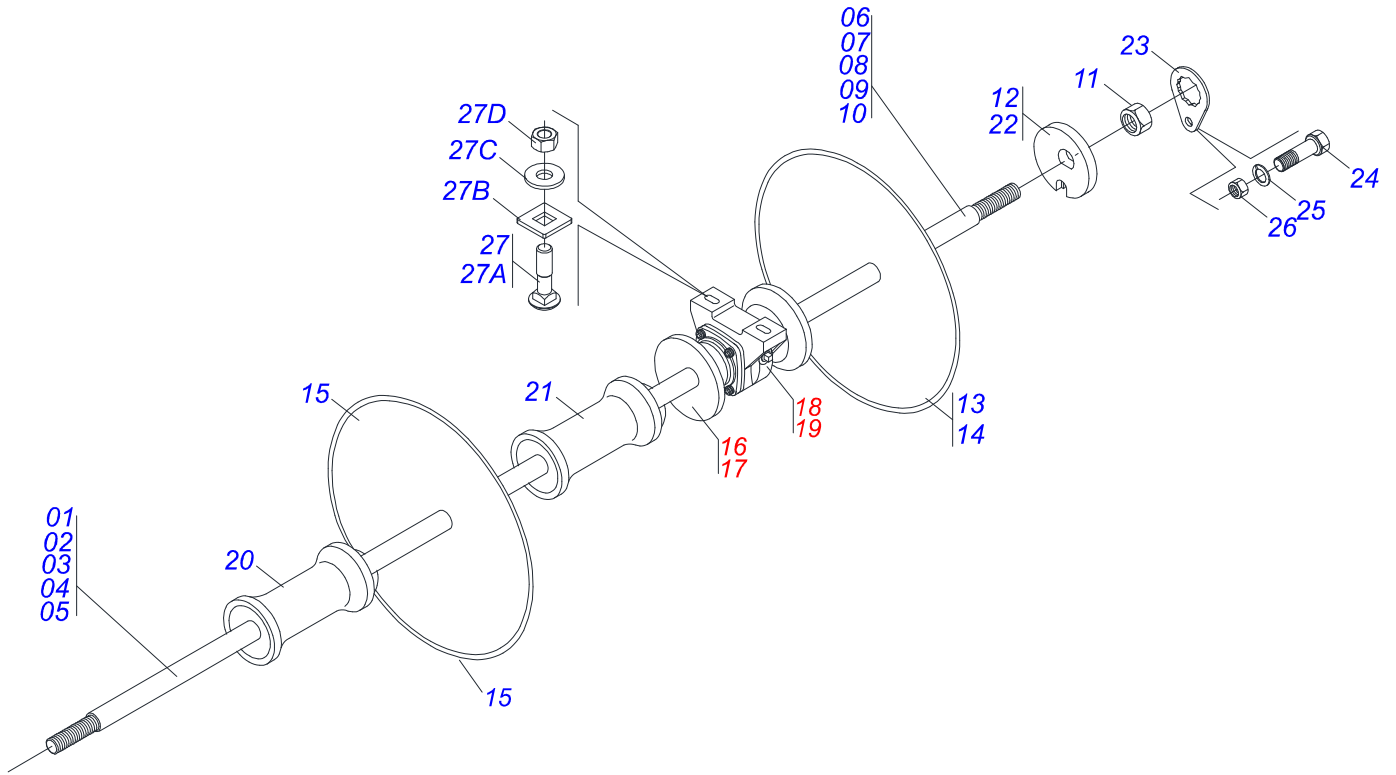
Item	Code	Description	See page	QT
01	0511067334	HOSE SOPPORT ASSY		01
02	0503010014	3/4" NUT		02
03	0501010322	FLAT WASHER		02



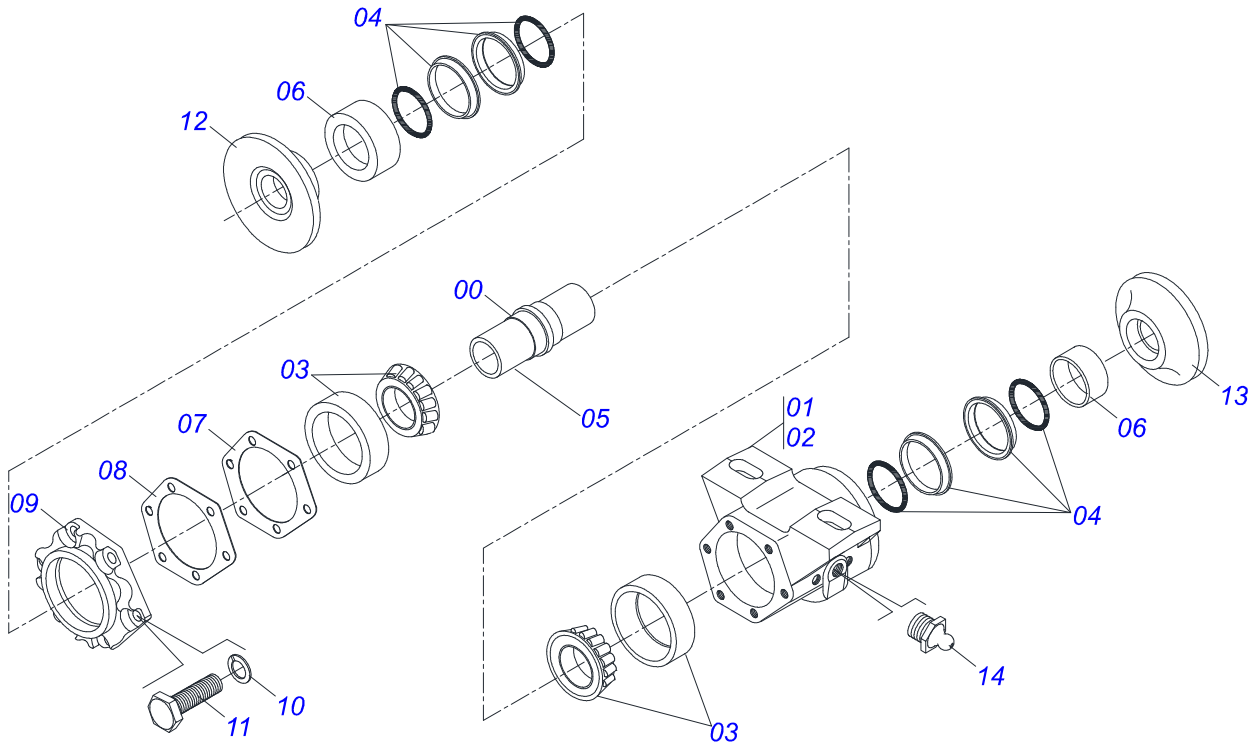
Item	Code	Description	See page	QT
01	0503011627	MALE QUICK COUPLER AGR 1/2 NPT		01
02	0503011882	MALE QUICK COUPLER CAP		01



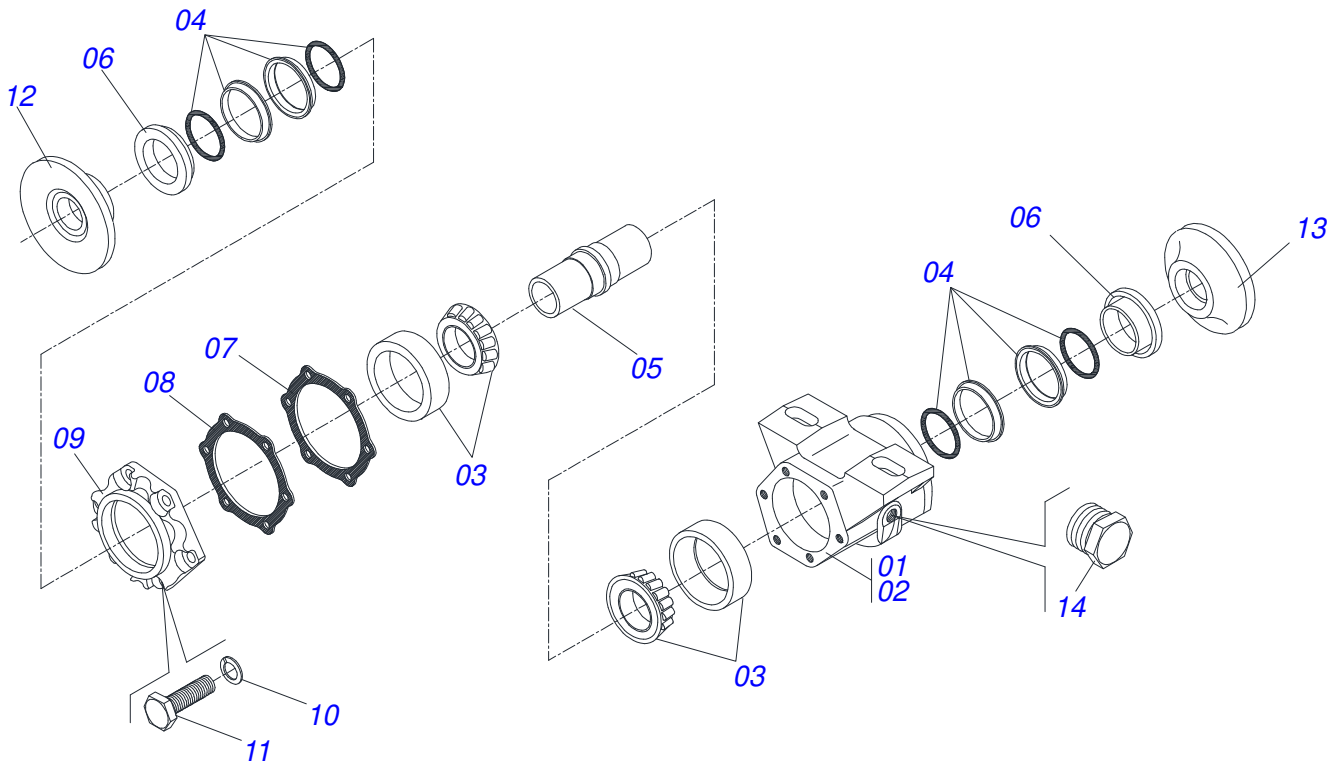
Item	Code	Description	See page	14	16	18	20	22	24
01	0501065583	FURROW WHEEL RIGHT SUPPORT		01	01	01	01	01	01
02	0501065584	FURROW WHEEL LEFT SUPPORT		01	01	01	01	01	01
03	0501050447	RH FURROW WHEEL ASSY		01	01	01	01	01	01
04	0501050448	LH FURROW WHEEL ASSY		01	01	01	01	01	01
04A	0502020405	FURROW WHEEL HUB		02	02	02	02	02	02
04B	0503010102	25577/25523 ROLLER BEARING		02	02	02	02	02	02
04C	0503010804	00547-B SEAL		02	02	02	02	02	02
04D	0603027001	20"x 0.2" PLAIN COULTTER BLADE		02	02	02	02	02	02
04E	0503011082	C1/2" X 1.3/4" SCREW		12	12	12	12	12	12
04F	0503010019	1/2" SPRING WASHER		12	12	12	12	12	12
04G	0503010060	1/2" NUT		12	12	12	12	12	12
04H	0501065586	RH ARM		01	01	01	01	01	01
04I	0501065585	LH ARM		01	01	01	01	01	01
04J	0501015722	SPACING BUSHING		02	02	02	02	02	02
04K	0503010745	BEARING 25877/25821		02	02	02	02	02	02
04L	0501010065	1" SPRING WASHER		02	02	02	02	02	02
04M	0503030009	1" CASTLE NUT		02	02	02	02	02	02
04N	0503010018	5/32 X 1-1/2 COTTERPIN		02	02	02	02	02	02
04O	0502020008	COVER AF		02	02	02	02	02	02
04P	0503010011	5/16" X 1/2" BOLT		02	02	02	02	02	02
04Q	0503010002	1800 GREASE FITTING		04	04	04	04	04	04
05	0521010643	1.5" X 7.6" COUPLING SHAFT		02	02	02	02	02	02
06	0503010534	3/8 X 2-1/2 COTTERPIN		02	02	02	02	02	02



Item	Code	Description	See page	14	16	18	20	22	24
01	0501046863	1-5/8" X 99" AXLE		02	00	00	00	00	00
02	0501046865	1-5/8" X 115" AXLE		00	02	00	00	00	00
03	0501046866	1-5/8" X 130" AXLE		00	00	02	00	00	00
04	0501046858	1-5/8" X 68.11" AXLE		00	00	00	04	00	00
05	0501046862	1-5/8" X 83.86" AXLE		00	00	00	00	02	04
06	0501019023	1-5/8" X 99.6" AXLE		02	00	00	00	00	00
07	0501019024	1-5/8" X 115.3" AXLE		00	02	00	00	00	00
08	0501019022	1-5/8" X 130.3" AXLE		00	00	02	00	00	00
09	0501019021	1-5/8" X 68.11" AXLE		00	00	00	04	00	00
10	0501019025	1-5/8" X 88.86" AXLE		00	00	00	00	02	04
11	0502040640	1.5/8" 2.3/4" NUT		04	04	04	08	08	08
12	0502011048	1-5/8" EXTERNAL AXLE WASHER		02	02	02	04	04	04
13	0601033005	26" X 0.2" PLAIN DISC BLADE		12	14	16	18	20	22
14	0601030005	24" X 0.2" PLAIN DISC BLADE		02	02	02	02	02	02
15	0602037004	28" X 0.2" NOTCHED DISC BLADE		00	00	00	18	00	00
16	0501043085	CM GX 8.86" 1-1/8" BEARING ASSY		02	02	03	04	04	04
17	0501043086	CM GX 8.86" 1-5/8" BEARING ASSY		02	02	03	04	04	04
18	0501043197	8.86" X 1-5/8" OIL BATH BEARING		02	02	03	04	04	04
19	0501043198	8.86" X 1-5/8" OIL BATH BEARING		02	02	03	04	04	04
20	0502010701	SPACER		04	04	06	08	08	08
21	0502010702	SPACER		08	10	10	08	10	10
22	0502011047	1-5/8" INNER AXLE WASHER		02	02	02	04	04	04
23	0511014339	1-5/8" 2.8" NUT LOCK		04	04	04	08	08	08
24	0503011267	BOLT 5/8 UNC X 1.1/2 C S G.5 ZN		04	04	04	08	08	08
25	0503010027	5/8" SPRING WASHER		04	04	04	08	08	08
26	0503010013	5/8" NUT		04	04	04	08	08	08
27	0511040034	3/4" X 3-1/4" BOLT ASSY		08	08	12	16	16	16
27A	0501017303	3/4" X 3-1/4" BOLT		08	08	12	16	16	16
27B	0501010949	3/4" SQUARE WASHER		08	08	12	16	16	16
27C	0501010322	FLAT WASHER		08	08	12	16	16	16
27D	0503010014	3/4" NUT		16	16	24	32	32	32



Item	Code	Description	See page	QT
00	0501043085	CM GX 8.86" 1-1/8" BEARING ASSY		01
00A	0501043086	CM GX 8.86" 1-5/8" BEARING ASSY		01
01	0502020479	BEARING HOUSING, FG		01
02	0502020480	BEARING HOUSING, RG		01
03	0503010005	32212 ROLLER BEARING		02
04	0503010087	02017-GB GREASE SEAL		02
05	0502010899	AXLE CM/DM		01
06	0501010986	SPACER		01
07	0503030685	5.5" X 4.4" X 0.003" GASKET		01
08	0503030030	5.6" X 4.4" X 0.01" GASKET		03
09	0502020523	BEARING CAP		01
10	0503011443	3/8" SPRING WASHER		06
11	0503011087	3/8" X 1" BOLT		06
12	0502040239	OUTER FLANGE		01
13	0502040240	INNER FLANGE		01
14	0503010002	1800 GREASE FITTING		01



Item	Code	Description	See page	QT
00	0501043197	8.86" X 1-5/8" OIL BATH BEARING		01
00A	0501043198	8.86" X 1-5/8" OIL BATH BEARING		01
01	0502020481	HOUSING DM		01
02	0502020482	HOUSING DM		01
03	0503010005	32212 ROLLER BEARING		02
04	0503030027	DUO-CONE SEAL		02
05	0502010899	AXLE CM/DM		01
06	0502040287	SEAL RETAINER		02
07	0503030685	5.5" X 4.4" X 0.003" GASKET		01
08	0503030030	5.6" X 4.4" X 0.01" GASKET		02
09	0502020161	WEAR PLATE BEARING		01
10	0503011443	3/8" SPRING WASHER		06
11	0503011087	3/8" X 1" BOLT		06
12	0502040239	OUTER FLANGE		01
13	0502040240	INNER FLANGE		01
14	0503010856	OIL PLUG		01







***civemasa***

**Technical Publications | Elaboration and Revision**  
JOSÉ DOMINGOS GASPARI

[www.civemasa.com.br](http://www.civemasa.com.br)

