

# PARTS CATALOGUE

## DISK PLOW

**Code:**

0501091588

**Product:**

AFCD



**Series:**

S-0404

**Revision:**

00

**Revision Date:**

MARÇO/2016

# PRODUCTS

Code	Description		
0120750022	AFCD 2 X 28 X 6,00 S/R	S-0404	
0120750008	AFCD 3 X 26 X 4,75 C/R	61210029	S-0404
0120750009	AFCD 3 X 26 X 4,75 S/R	61210110	S-0404
0120750021	AFCD 3 X 26 X 6,00 S/R	S-0404	
0120750010	AFCD 3 X 28 X 6,00 C/R	61210065	S-0404
0120750013	AFCD 4 X 26 X 4,75 S/R	61210139	S-0404
0120750017	AFCD 4 X 26 X 6,00 S/R	61210175	S-0404
0120750017C	AFCD 4 X 26 X 6,00 S/R	61210175	S-0404 EXP
0120750014	AFCD 4 X 28 X 6,00 C/R	61210074	S-0404
0120750001	AFCD 4 X 28 X 6,00 S/R	61210148	S-0404
0120750018	AFCD 5 X 26 X 6,00 S/R	61210184	S-0404
0120750018C	AFCD 5 X 26 X 6,00 S/R	61210184	S-0404 EXP
0120750016	AFCD 5 X 28 X 6,00 C/R	61210083	S-0404
0120750002	AFCD 5 X 28 X 6,00 S/R	61210166	S-0404

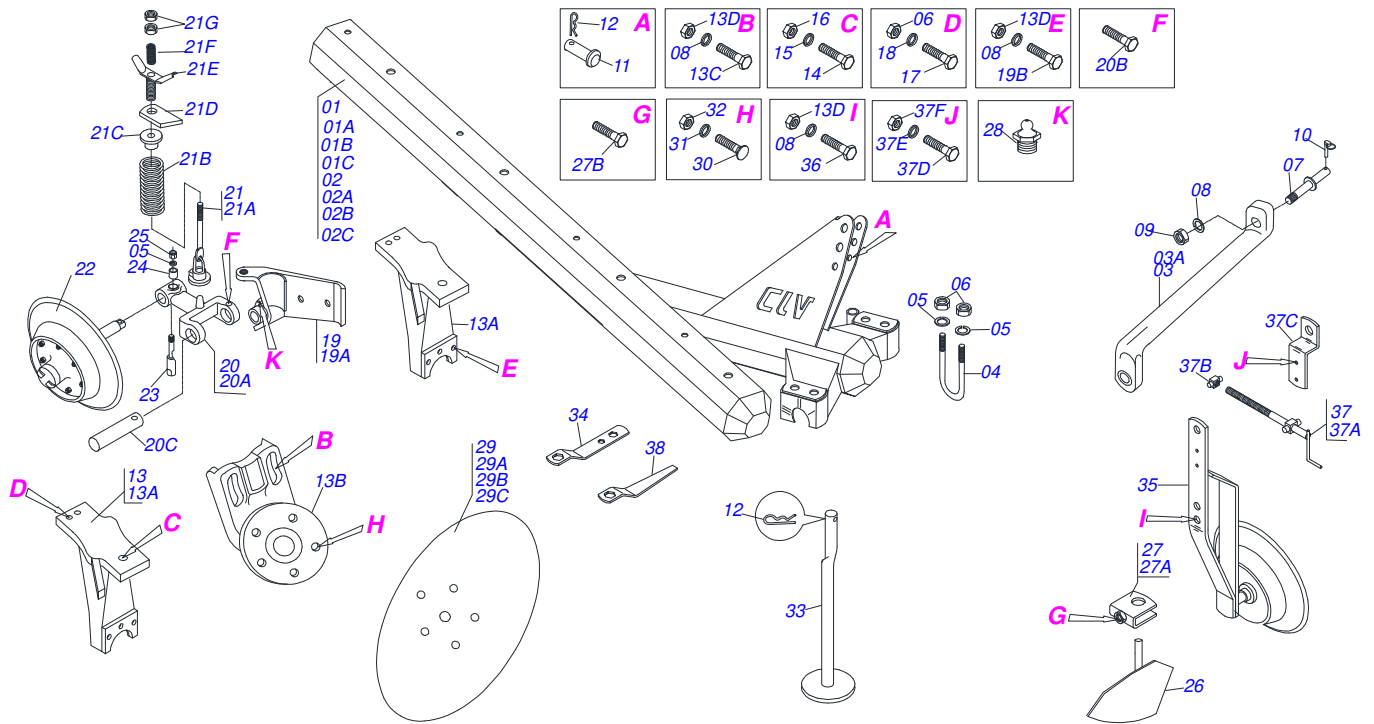
## ATTENTION: IMPORTANT

Civemasa reserves the right to improve and / or modify the technical features of its products, without obligation to do the same with those products already sold and without prior knowledge of the dealer or the consumer.



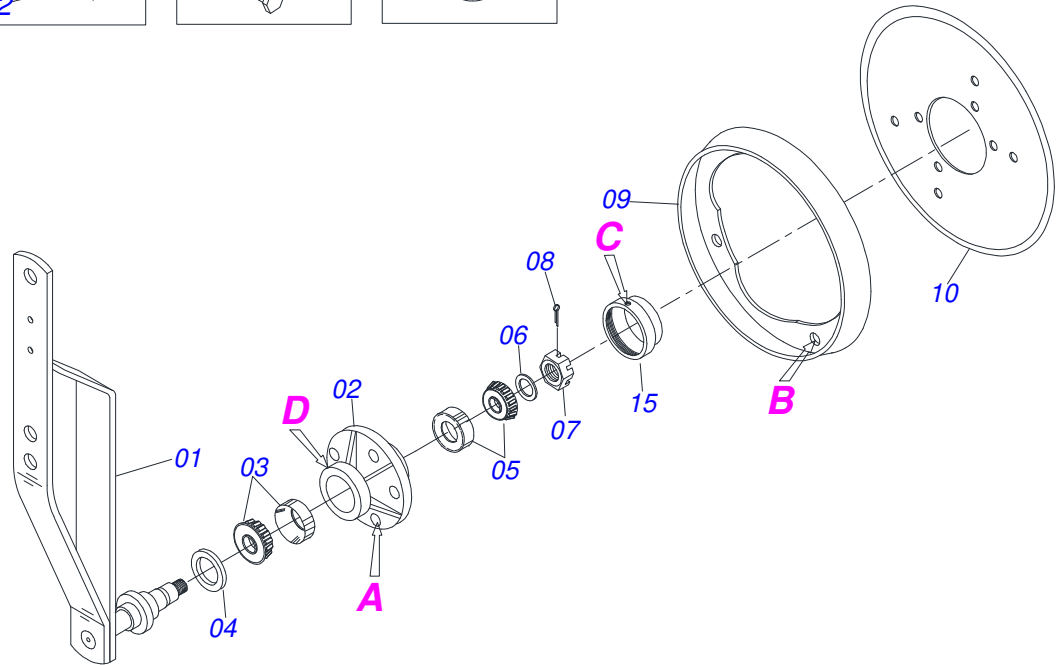
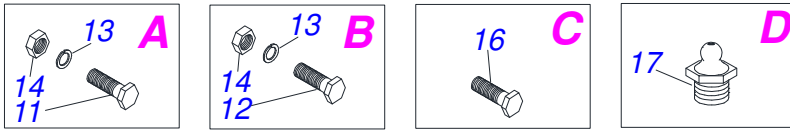
# INDEX

0909094513	AFCD	.....	1
0501040004	DEPTH WHEEL	.....	2
0501040003	FURROW WHEEL	.....	3
0501051553	DISC HUB ASSY	.....	4

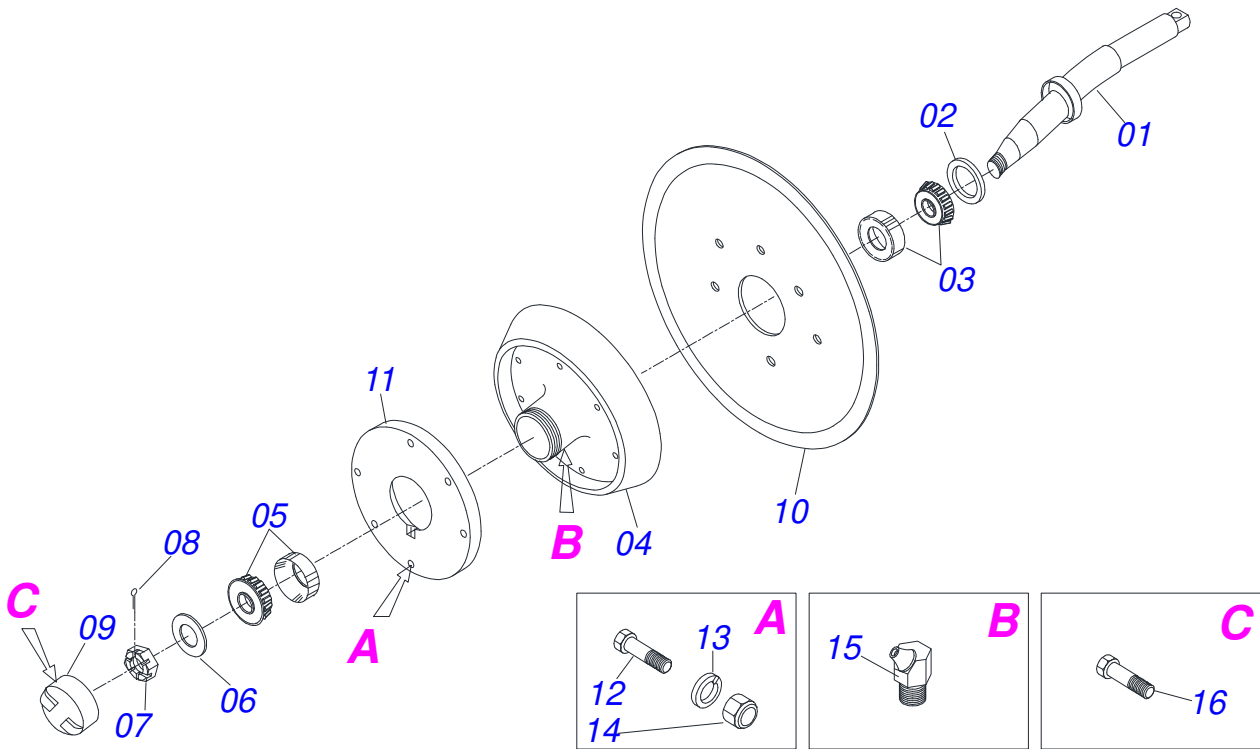


Item	Code	Description	See page	02	03	04	05
01	0511049158	FRAME AFCD2 C/R		01	00	00	00
01A	0511049160	FRAME AFCD3 C/R		00	01	00	00
01B	0511049162	FRAME AFCD4 C/R		00	00	01	00
01C	0511049164	FRAME AFCD5 C/R		00	00	00	01
02	0521064674	FRAME AFCD2 S/R		01	00	00	00
02A	0521064408	FRAME AFCD3 S/R		00	01	00	00
02B	0521062735	FRAME AFCD4 S/R		00	00	01	00
02C	0521064678	FRAME AFCD5 S/R		00	00	00	01
03	0501010001	26" CRANKSHAFT		01	01	00	00
03A	0501010002	30" CRANKSHAFT		00	00	01	01
04	0521010658	3/4 X 5.8" X 2.7" FASTENER		02	02	04	04
05	0503010023	3/4" SPRING WASHER		04	04	09	09
06	0503010014	3/4" NUT		06	07	13	14
07	0521010635	2" X 5.7" COUPLING SHAFT		02	02	02	02
08	0503010012	1" SPRING WASHER		07	09	11	13
09	0503010340	1" NUT		02	02	02	02
10	0503030430	7/16 X 2" PIN LOCK		02	02	02	02
11	0521010579	COUPLING SHAFT		01	01	01	01
12	0503031035	HAIR PIN		02	02	02	02
13	0501046697	PLOUGH SUPPORT WITH HUB		01	02	03	04
13A	0501061367	PLOUGH SUPPORT		01	02	03	04
13B	0501051553	DISC HUB ASSY	4	01	02	03	04
13C	0501010392	1" X 5" BOLT		02	04	06	08
13D	0501010059	1.5/8 NUT		05	07	09	11
14	0501014174	1-1/4" X 9.5" BOLT		02	03	04	05
15	0501017779	32 X 60 X 4.75 FLAT WASHER		02	03	04	05
16	0501010087	1.1/4" NUT		02	03	04	05
17	0501010066	3/4" X 9" BOLT		02	02	02	02
18	0501010067	22.5 X 56 X 4.75 FLAT WASHER		02	03	04	05
19	0501046640	PLOUGH SUPPORT WITH HUB		01	01	01	01
19A	0501060025	FURROW WHEEL FOR AF/AFC		01	01	01	01

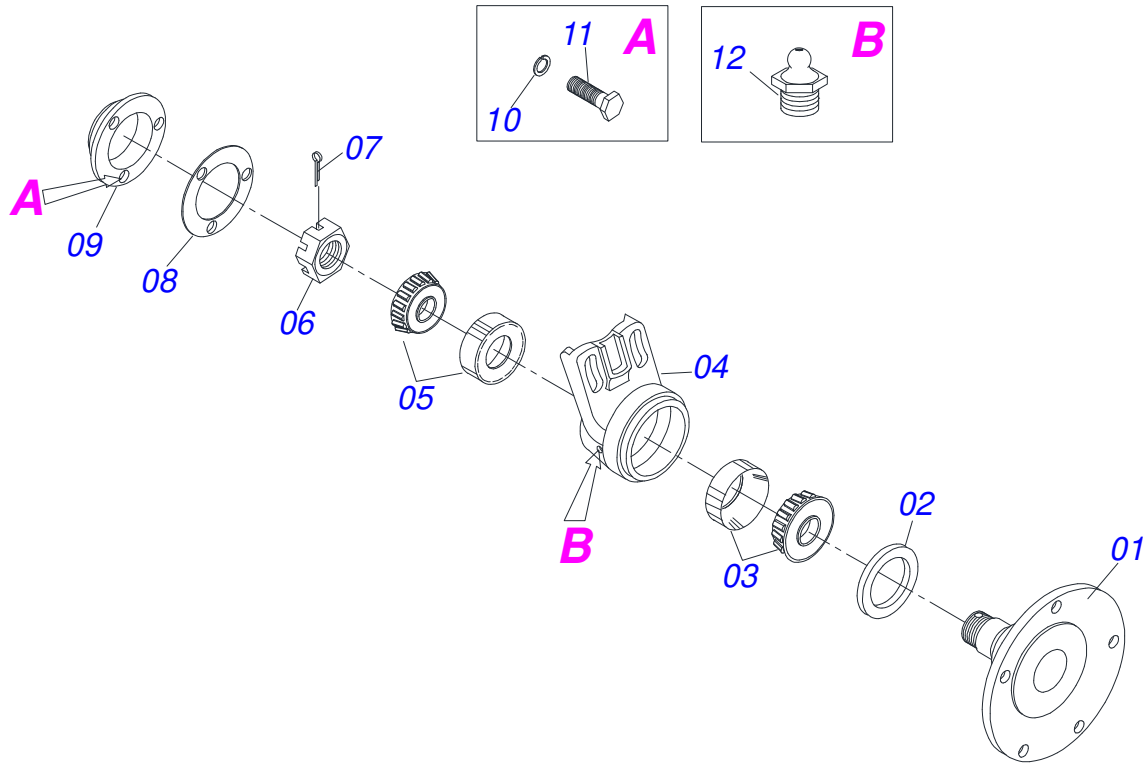
Item	Code	Description	See page	02	03	04	05
19B	0501010191	1" X 6" BOLT		02	02	02	02
20	0501040564	FORK ASS'Y		01	01	01	01
20A	0502040003	FORK		01	01	01	01
20B	0501010063	1/2" X 1-1/2" BOLT		01	01	01	01
20C	0501017548	PIVOT SHAFT		01	01	01	01
21	0501040565	ADJUSTER ASSY		01	01	01	01
21A	0501069015	LOWER REGULATOR SPRING		01	01	01	01
21B	0503030441	12.7" X 5.7" X 0.5"SPRING		01	01	01	01
21C	0502040302	SPRING SUPPORT		01	01	01	01
21D	0501010190	LOCK LOCKNUT		01	01	01	01
21E	0501060027	REGULATOR BOLT		01	01	01	01
21F	0503030008	101" X 1"X0.1" COMPRESSSION SPRING		01	01	01	01
21G	0503010013	5/8" NUT		02	02	02	02
22	0501040003	FURROW WHEEL	3	01	01	01	01
23	0501010007	FURROW WHEEL SHAFT LOCK		01	01	01	01
24	0521010679	SLEEVE LOCK		01	01	01	01
25	0503010335	3/4"NUT		01	01	01	01
26	0501060028	DISC SCRAPER		02	03	04	05
27	0501040025	SCRAPER U BOLT WITH NUT		02	03	04	05
27A	0501060029	U BOLT WITH NUT		02	03	04	05
27B	0503010232	5/8" X 1.3/4" BOLT		02	03	04	05
28	0503010002	1800 GREASE FITTING		01	01	01	01
29	0601036001	24"X 0.2" PLAIN DISC BLADE		02	03	04	05
29A	0601036002	26"X 0.2" PLAIN DISC BLADE		02	03	04	05
29B	0601039002	28" X 0.2" PLAIN DISC BLADE		02	03	04	05
29C	0601042003	30"X 0.3" PLAIN DISC BLADE		02	03	04	05
30	0503012956	1/2" X 1-1/2" BOLT		10	15	20	25
31	0503010019	1/2" SPRING WASHER		10	15	20	25
32	0503010020	1/2"NUT		10	15	20	25
33	0501062412	PLOUGH SUPPORT 725		01	01	01	01
34	0511018451	5/8" X 3/4" X 1" UNIVERSAL		01	01	01	01
35	0501040004	DEPTH WHEEL	2	01	01	01	01
36	0501010079	1" X 4" BOLT		01	01	01	01
37	0501040562	CRANK FOR DEPTH CTRL WHEEL		01	01	01	01
37A	0501060041	CRANK		01	01	01	01
37B	0502020013	ADJUSTMENT NUT		01	01	01	01
37C	0501010010	CRANK SUPPORT		01	01	01	01
37D	0501010080	3/8" BOLT		04	04	04	04
37E	0503010025	3/8" SPRING WASHER		04	04	04	04
37F	0503010026	3/8" NUT		04	04	04	04
38	0501010198	1-1/4" CABLE FLAT WRENCH		01	01	01	01



Item	Code	Description	See page	QT
01	0501061400	SUPPORT		01
02	0502020620	CARRYING WHEEL HUB		01
03	0503010016	BEARING LM		01
04	0503010278	SEAL		01
05	0503010022	BEARING LM		01
06	0501010076	FLAT WASHER		01
07	0503030010	7/8" CASTLE NUT		01
08	0503010018	5/32 X 1-1/2 COTTERPIN		01
09	0502020010	ROD STOP		02
10	0603025003	18"X 0.2" PLAIN COULTER BLADE		01
11	0503010238	BOLT 1/2 UNC X 1.3/4 CS G.2 ZN		04
12	0501010063	1/2" X 1-1/2" BOLT		04
13	0503010019	1/2" SPRING WASHER		04
14	0503010060	1/2" NUT		04
15	0502020589	COVER		01
16	0503010011	5/16" X 1/2" BOLT		01
17	0503010002	1800 GREASE FITTING		01



Item	Code	Description	See page	QT
00	0501040003	FURROW WHEEL	3	01
01	0501110021	FURROW WHEEL SHAFT		01
02	0503010528	SEAL # 00838-B		01
03	0503010015	BEARING LM 501349/501314		01
04	0502020612	DISC HUB		01
05	0503010016	BEARING LM		01
06	0501010065	1" SPRING WASHER		01
07	0503030009	1" CASTLE NUT		01
08	0503010018	5/32 X 1-1/2 COTTERPIN		01
09	0502020589	COVER		01
10	0603027002	20" X 0.2" PLAIN DISC BLADE		01
11	0502020021	COUNTERBALANCE		01
12	0501011536	1/2" X 2-3/4" BOLT		06
13	0503010019	1/2" SPRING WASHER		06
14	0503010060	1/2" NUT		06
15	0503010002	1800 GREASE FITTING		01
16	0503010011	5/16" X 1/2" BOLT		01



Item	Code	Description	See page	QT
00	0501051553	DISC HUB ASSY	4	01
01	0502040091	DISC DISH FOR AF		01
02	0503011866	SEAL 00573-B WITH HOLE		01
03	0503010005	32212 ROLLER BEARING		01
04	0502011276	DISC HUB		01
05	0503010006	32210 ROLLER BEARING		01
06	0501010888	1.3/4" 2.5/16" CASTLE NUT		01
07	0503010010	1/4" X 2.1/2" COTTERPIN		01
08	0503030227	4.8" X 3.5" X 0.02" JOINT		01
09	0502040715	COVER		01
10	0503010179	5/16" ZN SPRING WASHER		03
11	0503010240	5/16" X 3/4" BOLT		03
12	0503010002	1800 GREASE FITTING		01







***CIVEMASA***

[www.civemasa.com.br](http://www.civemasa.com.br)



**Technical Publications | Elaboration and Revision**  
MARINA PEREZ NIZA