

**DISK HARROWS**

**GACCR - 12/14/16/18/20/22/24/25/28/29D**

**Code:** 0501091586  
**Series:** S-1090  
**Revision:** 00  
**Revision Date:** FEVEREIRO/2021

# PARTS CATALOGUE

***CIVEMASA***

# PRODUCTS

<b>Code</b>	<b>Description</b>
0120700096	GACCR 22 X 28 X 6,00 CM S-1090
0120700092	GACCR 22 X 28 X 6,00 DM S-1090
0120700073	GACCR 12 X 26 X 6,00 DM
0120700071	GACCR 14 X 24 X 6,00 CM
0120700016	GACCR 14 X 26 X 6,0 R DESM 61310019
0120700043	GACCR 14 X 26 X 6,00 CM 61310294
0120700050	GACCR 14 X 26 X 6,00 CM CP 61310330
0120700056	GACCR 14 X 26 X 6,00 CM CP ESP 9,5
0120700056C	GACCR 14 X 26 X 6,00 CM CP ESP9,5 EXP S-1090
0120700072	GACCR 14 X 26 X 6,00 DM
0120700010	GACCR 14X24X6,0 R DM 61310092
0120700011	GACCR 16 X 24 X 6,0 R DM 61310101
0120700011C	GACCR 16 X 24 X 6,0 R DM 61310101 EXP S-1090
0120700051	GACCR 16 X 26 X 6,0 CM CP 61310349
0120700057C	GACCR 16 X 26 X 6,0 CM CP ESP EXP S-1090
0120700057	GACCR 16 X 26 X 6,0 DR CM CP ESP S-1090
0120700001	GACCR 16 X 26 X 6,0 R 61310029
0120700005	GACCR 16 X 26 X 6,0 R DM 61310056
0120700005C	GACCR 16 X 26 X 6,0 R DM 61310056 EXP
0120700099	GACCR 16 X 26 X 6,00 CM S-1090
0120700084	GACCR 16 X 28 X 7,50 DM S-1090
0120700012	GACCR 18 X 24 X 6,0 R 61310110
0120700012C	GACCR 18 X 24 X 6,0 R 61310110 EXP S-1090
0120700002	GACCR 18 X 26 X 6,0 R DESM 61310038
0120700006	GACCR 18 X 26 X 6,0 R DESM 61310065
0120700006C	GACCR 18 X 26 X 6,0 R DM 61310065 EXP S-1090
0120700047	GACCR 18 X 26 X 6,0R CM CP
0120700058C	GACCR 18 X 26 X 6,0R CM CP ESP EXP S-1090
0120700058	GACCR 18 X 26 X 6,0R CM CP ESPECIAL
0120700055	GACCR 18 X 26 X 6,0R DM CP 61310377

## ATTENTION: IMPORTANT

CIVEMASA reserves the right to improve and/or modify the technical features of its products, without obligation to do the same with those products already sold and without prior knowledge of the dealer or the consumer. The photos are only illustrative.

# PRODUCTS

0120700093	GACCR 18 X 28 X 6,00 CM	S-1090
0120700091	GACCR 18 X 28 X 6,00 DM	S-1090
0120700009	GACCR 20 X 24 X 6,0 R DESM 61310083	
0120700007C	GACCR 20 X 26 X 6,0 R DM 61310074	EXP
0120700059C	GACCR 20 X 26 X 6,0 R CM CP ESP	EXP S-1090
0120700003	GACCR 20 X 26 X 6,0 R DESM 61310047	
0120700007	GACCR 20 X 26 X 6,0 R DESM 61310074	
0120700048	GACCR 20 X 26 X 6,0R CM CP	
0120700059	GACCR 20 X 26 X 6,0R CM CP ESPECIAL	
0120700094	GACCR 20 X 28 X 6,0 DR CM S-1090	
0120700078	GACCR 20 X 28 X 6,0 DR DM	S-1090
0120700013	GACCR 22 X 24 X 6,0 R DESM 61310129	
0120700097C	GACCR 22 X 26 X 6,0 DM DR	EXP S-1090
0120700097	GACCR 22 X 26 X 6,0 DM DR	S-1090
0120700053	GACCR 22 X 26 X 6,00 CM CP 61310368	
0120700060C	GACCR 22 X 26 X 6,00 CM CP ESP	EXP S-1090
0120700060	GACCR 22 X 26 X 6,00 CM CP ESPECIAL	
0120700014	GACCR 24 X 24 X 6,0 R DESM 61310139	
0120700089	GACCR 24 X 26 X 6,00 CM	S-1090
0120700089C	GACCR 24 X 26 X 6,00 CM	EXP S-1090
0120700054C	GACCR 24 X 26 X 6,00 CM C/P	EXP S-1090
0120700049	GACCR 24 X 26 X 6,0R CM CP 61310321	
0120700095	GACCR 24 X 28 X 6,00 CM	S-1090
0120700090	GACCR 24 X 28 X 6,00 DM	S-1090
0120700070	GACCR 25 X 26 X 6,00 DM	
0120700052C	GACCR 28 X 26 X 6,0 CM CP	EXP S-1090
0120700042	GACCR 28 X 26 X 6,00 CM	61310285
0120700052	GACCR 28 X 26 X 6,00 CM CP	
0120700085	GACCR 28 X 28 X 6,0 DM	S-1090
0120700098	GACCR 28 X 28 X 6,00 CM DR	S-1090
0120700085C	GACCR 28 X 28 X 6,00 DM	EXP S-1090

## ATTENTION: IMPORTANT


CIVEMASA reserves the right to improve and/or modify the technical features of its products, without obligation to do the same with those products already sold and without prior knowledge of the dealer or the consumer. The photos are only illustrative.

# PRODUCTS

0120700086	GACCR 28 X 28 X 7,5 DM	S-1090
0120700077	GACCR 29 X 26 X 6,0 DM	C/PROT

## **ATTENTION: IMPORTANT**

CIVEMASA reserves the right to improve and/or modify the technical features of its products, without obligation to do the same with those products already sold and without prior knowledge of the dealer or the consumer. The photos are only illustrative.



# INDEX

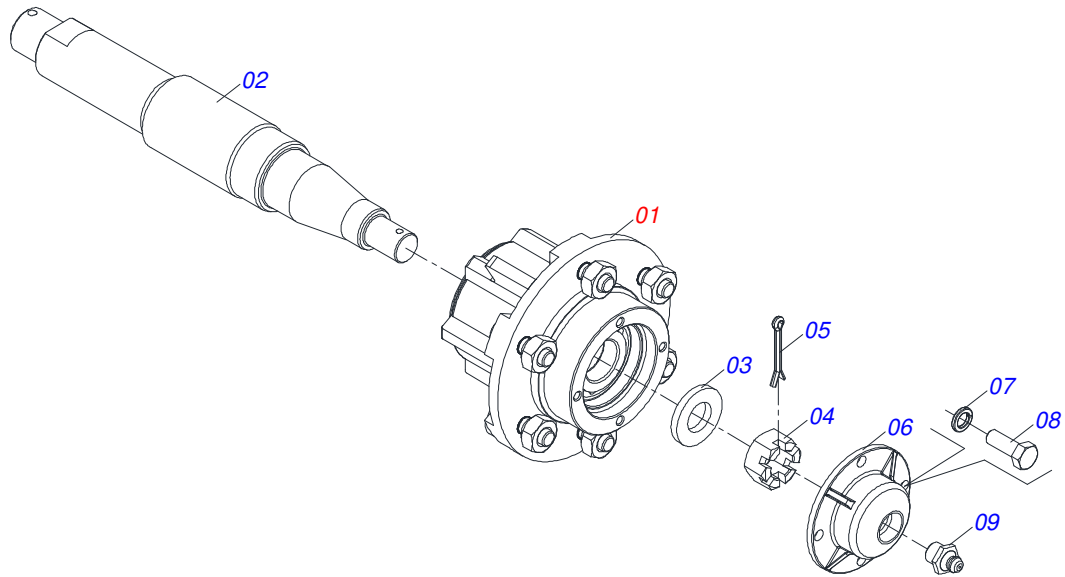
0909091787	ASSY FRAME - 12/14/16/18/20/22/24/25/28/29D	.....	1
0501051636	STUB SHAFT & HUB ASSY	.....	2
0501051634	TSTUB SHAFT & HUB ASSY	.....	3
0501051142	CARRYING WHEEL HUB	.....	4
0501049338	HYDRAULIC CYLINDER 44,45 X 85,72 X 515 X 203	.....	5
0501048420	HYDRAULIC CYLINDER	.....	6
0501041096	DRAWBAR ASSY	.....	7
0521048502	ASSY TRACTION BAR	.....	8
0503060094	WHEEL AND TIRE ASSY	.....	9
0503060091	L29.5"X0.63"-10L WHEEL AND	.....	10
0503011360	HOSE KIT	.....	11
0501053834	MALE QUICK COUPLER	.....	12
0503062157	HEADER JACK	.....	13
0909091788	GANG DISC 12/14/16/18/20/22/24/25/28/29	.....	14
0909090022	GANG DISC 12/14/16/18/20/22/24/25/28/29	.....	15
0501042963	9" X 1-5/8" OIL BATH BEARING	.....	16
0501046914	CM GX 9" 1-5/8" SD PR BEARING ASSY	.....	17



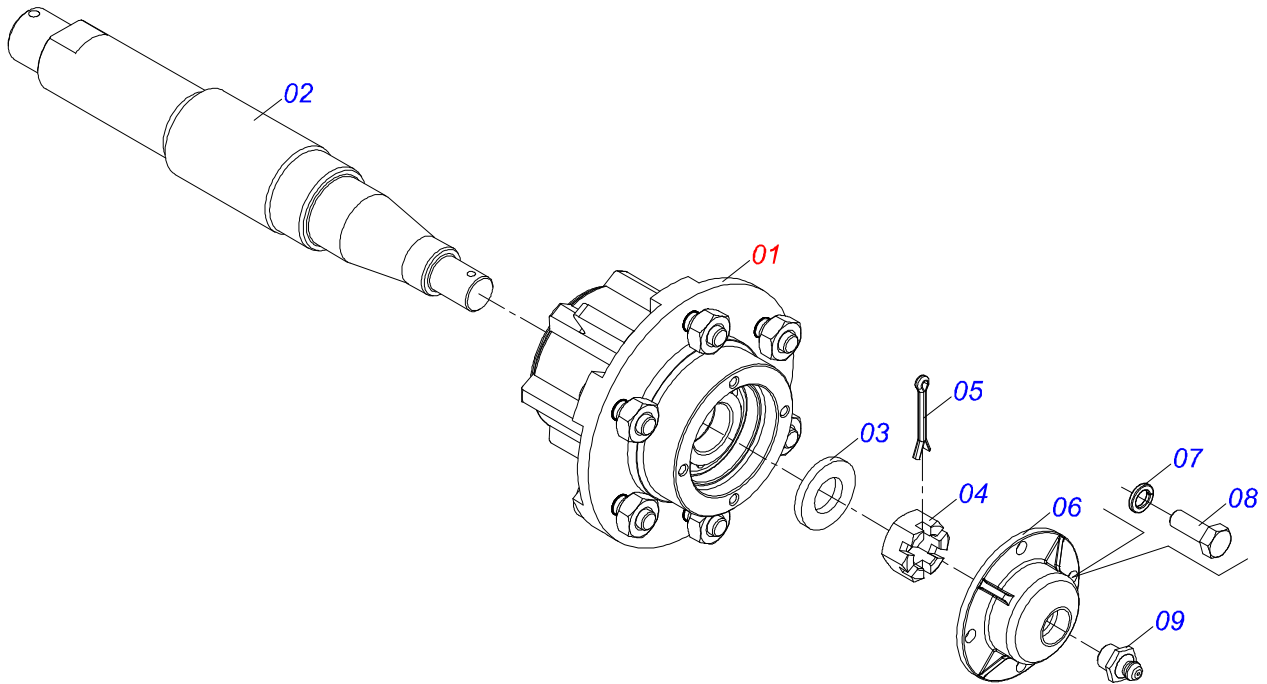
Item	Code	Description	See page	12	14	16	18	20	22	24	25	28	29D
25	0501064697	STABILIZER BAR		01	01	01	01	00	00	00	00	00	00
26	0501064696	STABILIZER BAR		00	00	00	00	01	01	01	01	01	01
27	0521012538	1.2" X 3.5" COUPLING SHAFT		04	04	04	04	04	04	04	04	04	04
28	0521010584	C0.9" X 5.7" COUPLING SHAFT		01	01	01	01	01	01	01	01	01	01
29	0501049338	HYDRAULIC CYLINDER 44,45 X 85,72 X 515 X 203	5	01	01	01	01	00	00	00	00	00	00
30	0501048420	HYDRAULIC CYLINDER	6	00	00	00	00	01	01	01	01	01	01
31	0511019920	SLEEVE 32,70 X 38,80 X 25,40		01	01	01	01	01	01	01	01	01	01
32	0501064698	SPRING ROD		01	01	01	01	01	01	01	01	01	01
33	0502020392	SPRING SUPPORT		02	02	02	02	02	02	02	02	02	02
34	0503030441	12.7" X 5.7" X 0.5"SPRING		01	01	01	01	01	01	01	01	01	01
35	0521010592	1.1" X 3.1" COUPLING SHAFT		01	01	01	01	01	01	01	01	01	01
36	0521063170	FRONT FRAME		01	00	00	00	00	00	00	00	00	00
36.	0521062634	FRONT FRAME 14		00	01	00	00	00	00	00	00	00	00
36..	0521063256	FRONT FRAME 16		00	00	01	00	00	00	00	00	00	00
36...	0521063562	FRONT FRAME 18		00	00	00	01	00	00	00	00	00	00
37	0521065456	FRONT FRAME		00	00	00	00	01	00	00	00	00	00
37.	0521065554	FRONT FRAME 22		00	00	00	00	00	01	00	00	00	00
37..	0521062589	FRONT FRAME 24		00	00	00	00	00	00	01	01	00	00
37...	0521063217	FRONT FRAME 28		00	00	00	00	00	00	00	00	01	01
38	0521063177	REAR FRAME 12		01	00	00	00	00	00	00	00	00	00
38.	0521065434	REAR FRAME 14		00	01	00	00	00	00	00	00	00	00
38..	0521063257	REAR FRAME 16		00	00	01	00	00	00	00	00	00	00
38...	0521063563	REAR FRAME 18		00	00	00	01	00	00	00	00	00	00
39	0521065457	ASSY REAR		00	00	00	00	01	00	00	00	00	00
39.	0521065553	REAR FRAME 22		00	00	00	00	00	01	00	00	00	00
39..	0521065602	REAR FRAME 24		00	00	00	00	00	00	01	00	00	00
39...	0521062590	ASSY REAR		00	00	00	00	00	00	00	01	00	00
40	0521065603	REAR FRAME 28		00	00	00	00	00	00	00	00	01	00
40.	0521063218	ASSY REAR		00	00	00	00	00	00	00	00	00	01
41	0501041096	DRAWBAR ASSY	7	01	01	01	00	00	00	00	00	00	00
41.	0521048502	ASSY TRACTION BAR	8	00	00	00	01	01	01	01	01	01	01
42	0503060094	WHEEL AND TIRE ASSY	9	02	02	02	00	00	00	00	00	00	00
42..	0503060091	L29.5"X0.63"-10L WHEEL AND	10	00	00	00	02	02	02	02	02	02	02
43	0501014309	C1" X 3-1/4" BOLT		08	08	08	08	08	08	08	08	08	08
44	0501010951	1" SQUARE WASHER		08	08	08	08	08	08	08	08	08	08
45	0501010065	1" SPRING WASHER		08	08	08	08	08	08	08	08	08	08
46	0501064168	REAR SCRAPER		03	04	04	05	05	05	07	07	08	09
47	0501064167	REAR SCRAPER		03	04	04	05	05	05	07	07	08	09
48	0503011082	C1/2" X 1.3/4" SCREW		12	16	16	20	20	20	24	00	00	00
49	0503010740	BOLT 1/2 UNC X 2 CS G.5 ZN		00	00	00	00	00	00	00	24	32	36
50	0501010122	FLAT WASHER		12	16	16	20	20	20	24	24	32	36
51	0503010019	1/2" SPRING WASHER		12	16	16	20	20	20	24	24	32	36
52	0503010060	1/2" NUT		12	16	16	20	20	20	24	24	32	36
53	0503011360	HOSE KIT	11	01	01	01	01	01	01	01	01	01	01
54	0501053834	MALE QUICK COUPLER	12	02	02	02	02	02	02	02	02	02	02
55	0501040257	3/4 X 1200 HOSE HOLDER A		01	01	01	01	01	01	01	01	01	01
56	0511010420	8.5" X 1.8" TRANSPORT LOCK		01	01	01	01	01	01	01	01	01	01
57	0501068994	0.3" X 3.1"LOCK PIN		01	01	01	01	01	01	01	01	01	01
58	0503030168	CUPILLA		01	01	01	01	01	01	01	01	01	01
59	0502010477	HOSE CLAMP		02	02	02	02	02	02	02	02	02	02
60	0503012555	SCREW 7/16 UNC X 2 CS RT G.7 ZN		02	02	02	02	02	02	02	02	02	02
61	0503010180	7/16" SPRING WASHER		02	02	02	02	02	02	02	02	02	02
62	0501061609	3/4" WRENCH CABLE CYLINDRICAL		01	01	01	01	01	01	01	01	01	01
63	0501061617	1" GANG BOLT WRENCH		01	01	01	01	01	01	01	01	01	01
64	0501011431	1-3/4" GANG BOLT WRENCH		02	02	02	02	02	02	02	02	02	02
65	0511018451	5/8" X 3/4" X 1" UNIVERSAL		01	01	01	01	01	01	01	01	01	01
66	0501040343	DRAWBOLT ASSY		01	01	01	01	01	01	01	00	00	00
66A	0521010453	AXI SHAFT		01	01	01	01	01	01	01	00	00	00
66B	0503031035	HAIR PIN		01	01	01	01	01	01	01	00	00	00





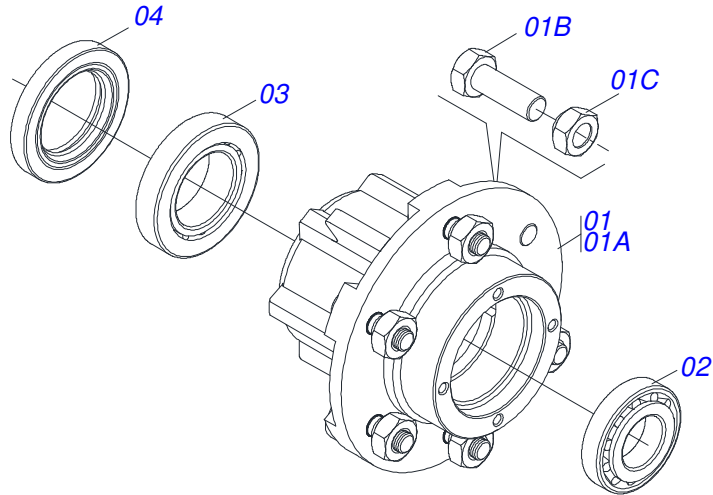


Item	Code	Description	See page	QT
001	0501051142	CARRYING WHEEL HUB	4	01
002	0521010822	AXLE 63,5 X 520		01
003	0501016545	FLAT WASHER		01
004	0503030009	1" CASTLE NUT		01
005	0503010018	5/32 X 1-1/2 COTTERPIN		01
006	0502020591	PROTECCION COVER		01
007	0503011444	SPRING WASHER		04
008	0503010358	5/16" X 5/8" BOLT		04
009	0503010002	1800 GREASE FITTING		01

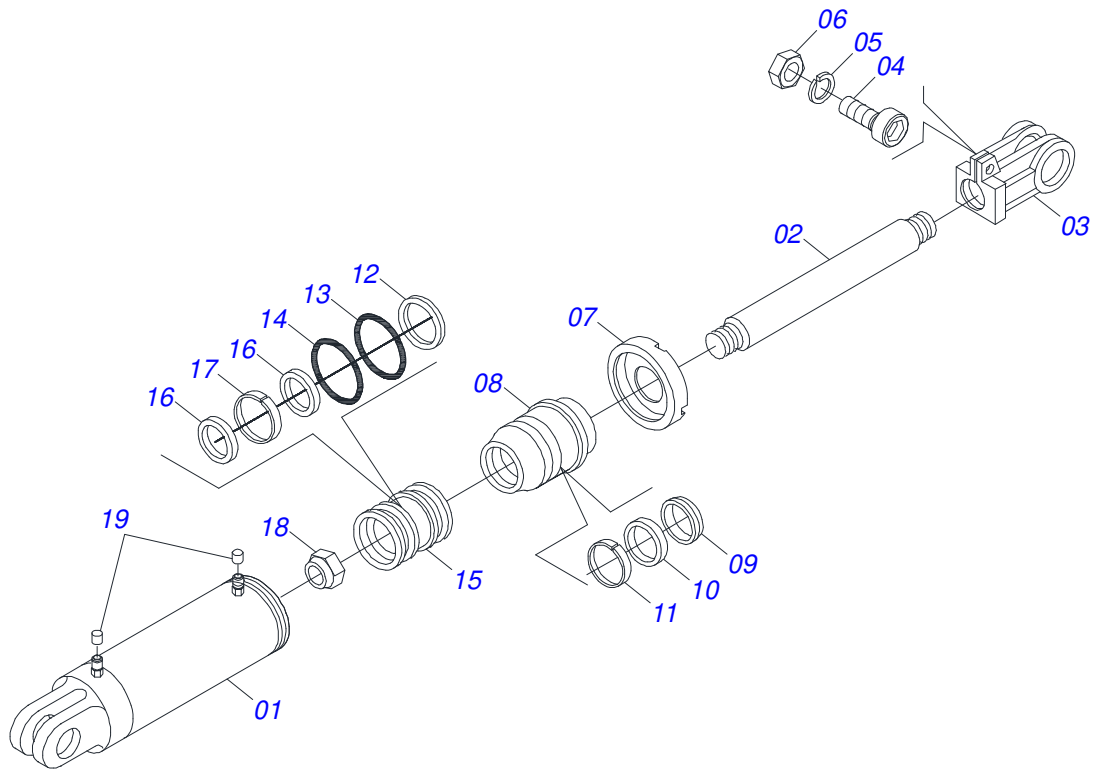


Item	Code	Description	See page	QT
01	0501051142	CARRYING WHEEL HUB	4	01
02	0521010821	2.5" X 16.5" AXLE		01
03	0501016545	FLAT WASHER		01
04	0503030009	1" CASTLE NUT		01
05	0503010018	5/32 X 1-1/2 COTTERPIN		01
06	0502020591	PROTECCION COVER		01
07	0503011444	SPRING WASHER		04
08	0503010358	5/16" X 5/8" BOLT		04
09	0503010002	1800 GREASE FITTING		01

**CARRYING WHEEL HUB**

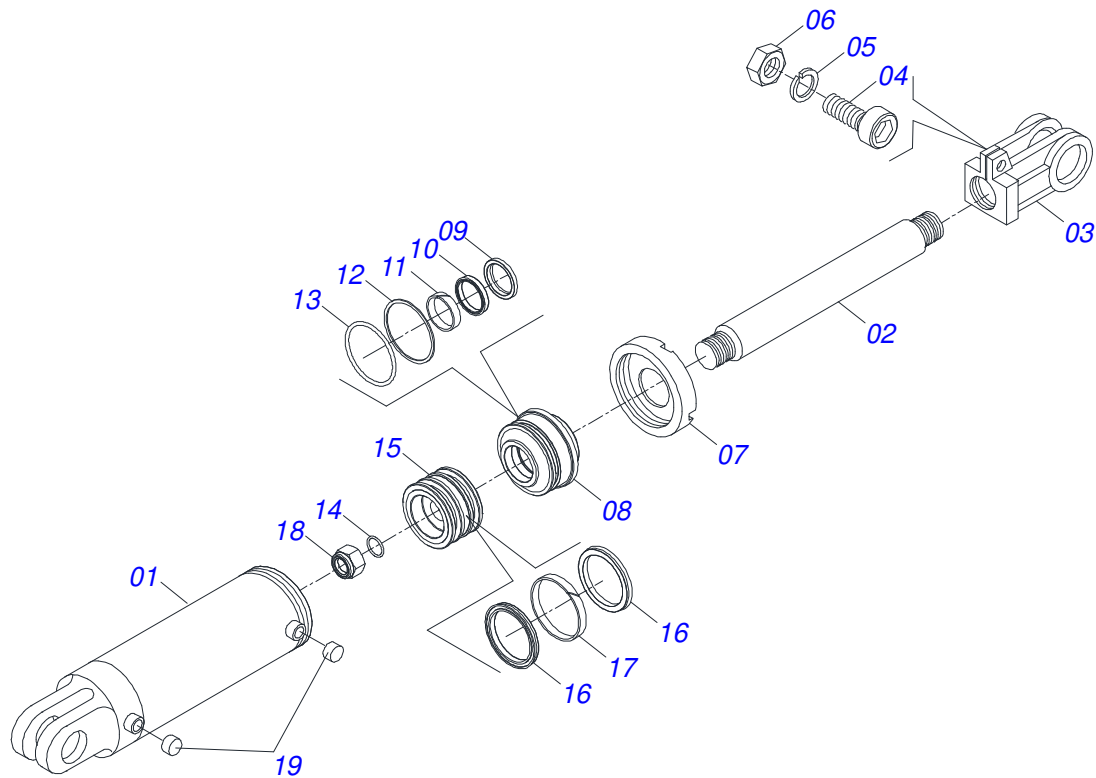


Item	Code	Description	See page	QT
01	0501110728	WHEEL HUB		01
01A	0502011121	CARRYING WHEEL HUB		01
01B	0501010127	9/16" X 1-7/8" LUG BOLT		06
01C	0503010035	9/16" CONIC NUT		06
02	0503010037	30207 ROLLER BEARING		01
03	0503010006	32210 ROLLER BEARING		01
04	0503012928	SEAL		01



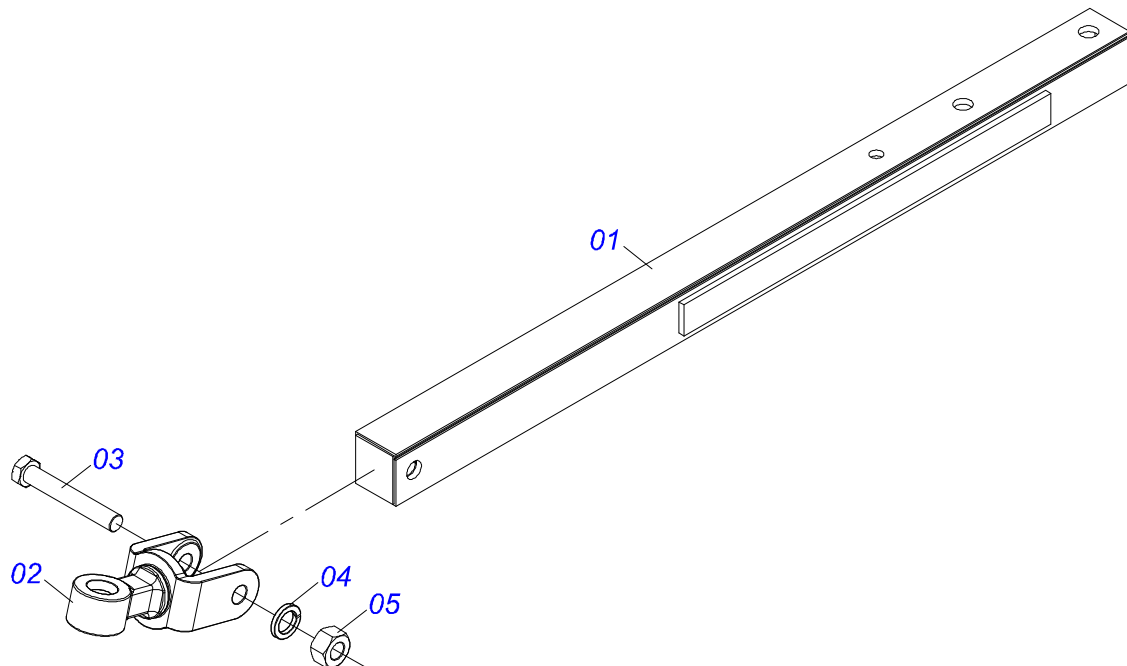
Item	Code	Description	See page	QT
01	0511061588	3.4" X 16" CYLINDER CASE		01
02	0521010421	HYDRAULIC CYLINDER TURNBUCKLE		01
03	0502040747	32.54 CLEVIS CLAMP		01
04	0503011094	3/8" X 2" BOLT		01
05	0503010025	3/8" SPRING WASHER		01
06	0503010026	3/8" NUT		01
07	0502010993	DETACHABLE COVER		01
08	0502010781	RING SUPPORT		01
09	0503010761	D-1750 SCRAPER RING		01
10	0503010990	GASKET		01
11	0503010949	W2-2000-500 PK RING G.E		01
12	0503011060	8-336 BACK-UP RING		01
13	0503010976	2-336 N 3006-9B O'RING		01
14	0503010042	2-214 N 3006-9B O'RING		01
15	0502010843	1.8" X 3.4" PISTON		01
16	0503010170	PACKING 3120 2750		02
17	0503010948	W4-3346-590 PK RING G.E		01
18	0503010063	1" SELF-ALIGNING NUT		01
19	0503030385	CYLINDER PLUG N-002		02
20	0501031796	HYDRAULIC CYLINDER REPAIR KIT		01

**HYDRAULIC CYLINDER**

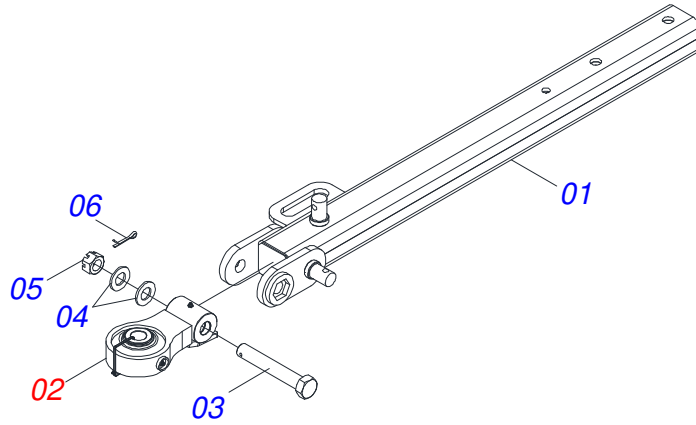


Item	Code	Description	See page	QT
01	0501069906	4" X 16" CYLINDER CASE		01
02	0521010422	HYDRAULIC CYLINDER TURNBUCKLE		01
03	0502040747	32.54 CLEVIS CLAMP		01
04	0503011094	3/8" X 2" BOLT		01
05	0503010025	3/8" SPRING WASHER		01
06	0503010026	3/8" NUT		01
07	0502010017	4" HEAD		01
08	0502010778	2" X 4.2" RING SUPPORT		01
09	0503010039	D-2000 SCRAPER RING		01
10	0503010991	1870-2000-375-B GASKET		01
11	0503010952	W2-2250-500 RING		01
12	0503011061	8-342 BACK-UP RING		01
13	0503010338	2-342 N 3006-9B O'RING		01
14	0503010345	2-218 N 3006-9B O'RING		01
15	0502010992	2.0" X 4.0" PISTON		01
16	0503010043	PACKING 3750-3250		02
17	0503010994	W2-4000-500 PK RING G.E		01
18	0503010817	1.1/4" SELF LOCKING NUT		01
19	0503030385	CYLINDER PLUG N-002		02
20	0501031799	HYDRAULIC CYLINDER REPAIR KIT		01

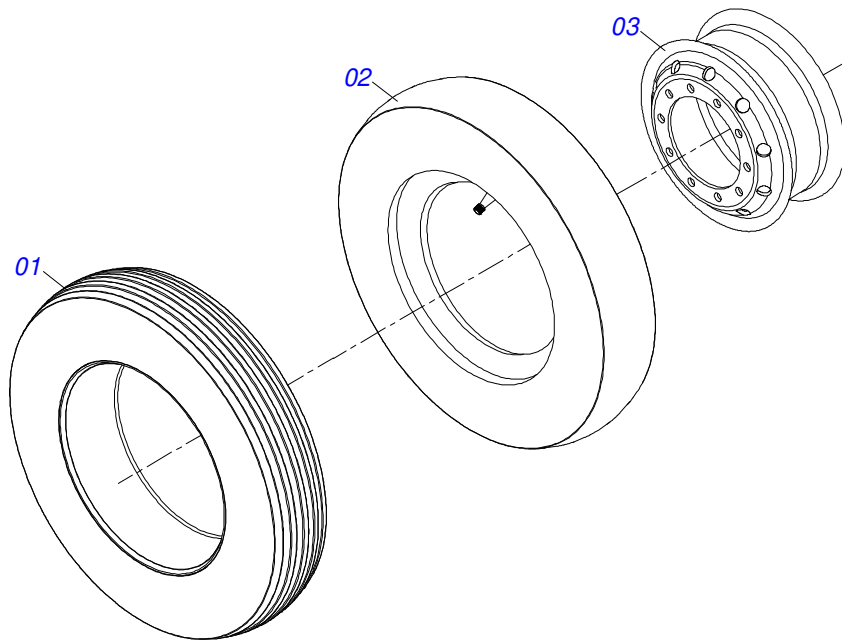
**DRAWBAR ASSY**



Item	Code	Description	See page	QT
01	0501060188	DRAWBAR ASSY		01
02	0521061775	TRACTOR HITCH		01
03	0501010060	1" X 6-1/2" BOLT		01
04	0503011438	SPRING WASHER		01
05	0501010059	1.5/8 NUT		01

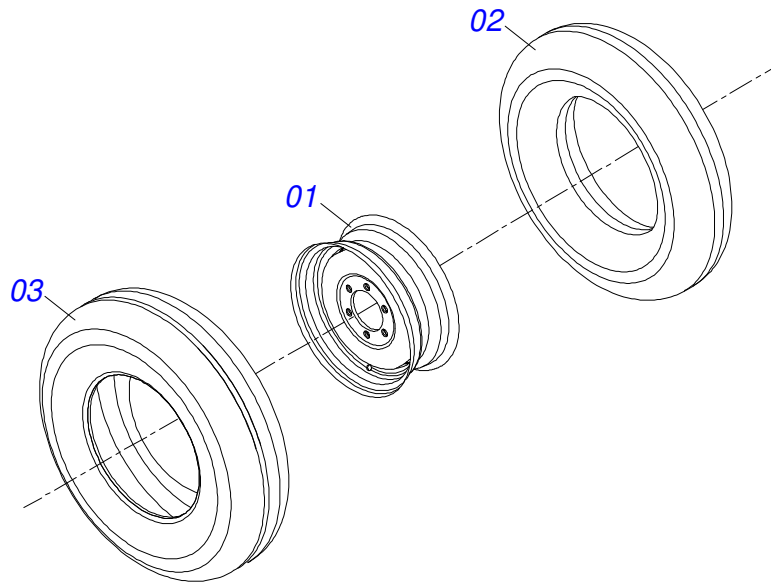


Item	Code	Description	See page	QT
01	0521069165	DRAWBAR ASSY		01
02	0521057520	HITCH ASSY		01
03	0581015973	1.1/4 UNC X 8 C S G5 SCREW		01
04	0501017779	32 X 60 X 4.75 FLAT WASHER		02
05	0503013026	1.1/4" CASTLE NUT		01
06	0503010010	1/4" X 2.1/2" COTTERPIN		01

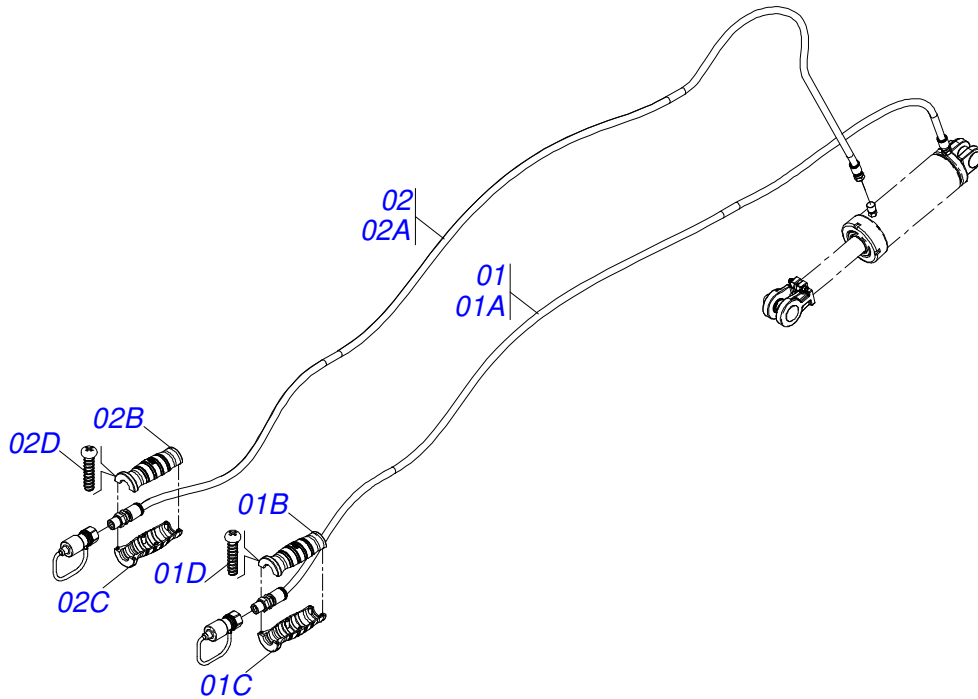


Item	Code	Description	See page	QT
01	0503010065	CANVAS TIRE		01
02	0503010068	6.00 X 16 INNER TIRE		01
03	0503010894	0.2"X0.6"X4.6"X6F0.6"X6" WHEEL		01

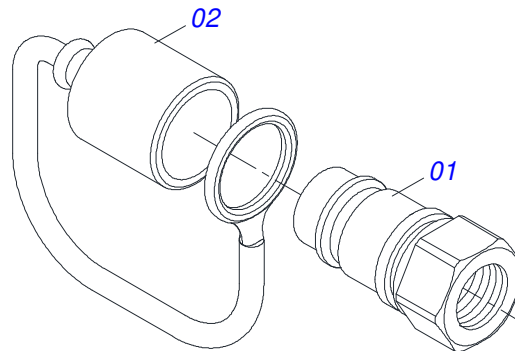




Item	Code	Description	See page	QT
01	0503010893	WHEEL		01
02	0503010033	7.50 X 16 INNER TIRE		01
03	0503010120	CANVAS TIRE		01



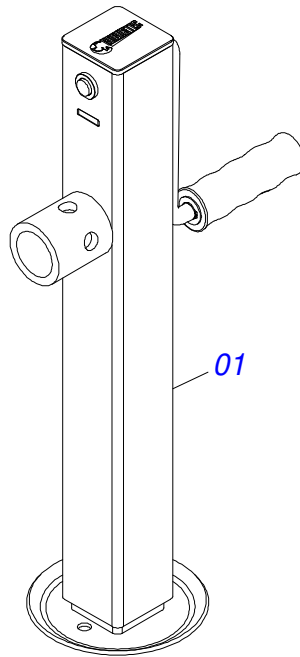
Item	Code	Description	See page	QT
01	0521056233	3/8 X 6000 TR-TM HOSE BLACK / RED		01
01A	0501080443	3/8 X 6000 TR-TM HOSE		01
01B	0503034495	HYDRAULIC HOSE GRIP (RED)		01
01C	0503034492	HYDRAULIC HOSE GRIP (BLACK)		01
01D	0503018952	PLASTIC BOLT		06
02	0521055893	3/8 X 5850 TR-TM HOSE BLACK / BLUE		01
02A	0501080421	3/8" X 230" TR-TM HOSE ASS		01
02B	0503034492	HYDRAULIC HOSE GRIP (BLACK)		01
02C	0503034494	HYDRAULIC HOSE GRIP (BLUE)		01
02D	0503018952	PLASTIC BOLT		06



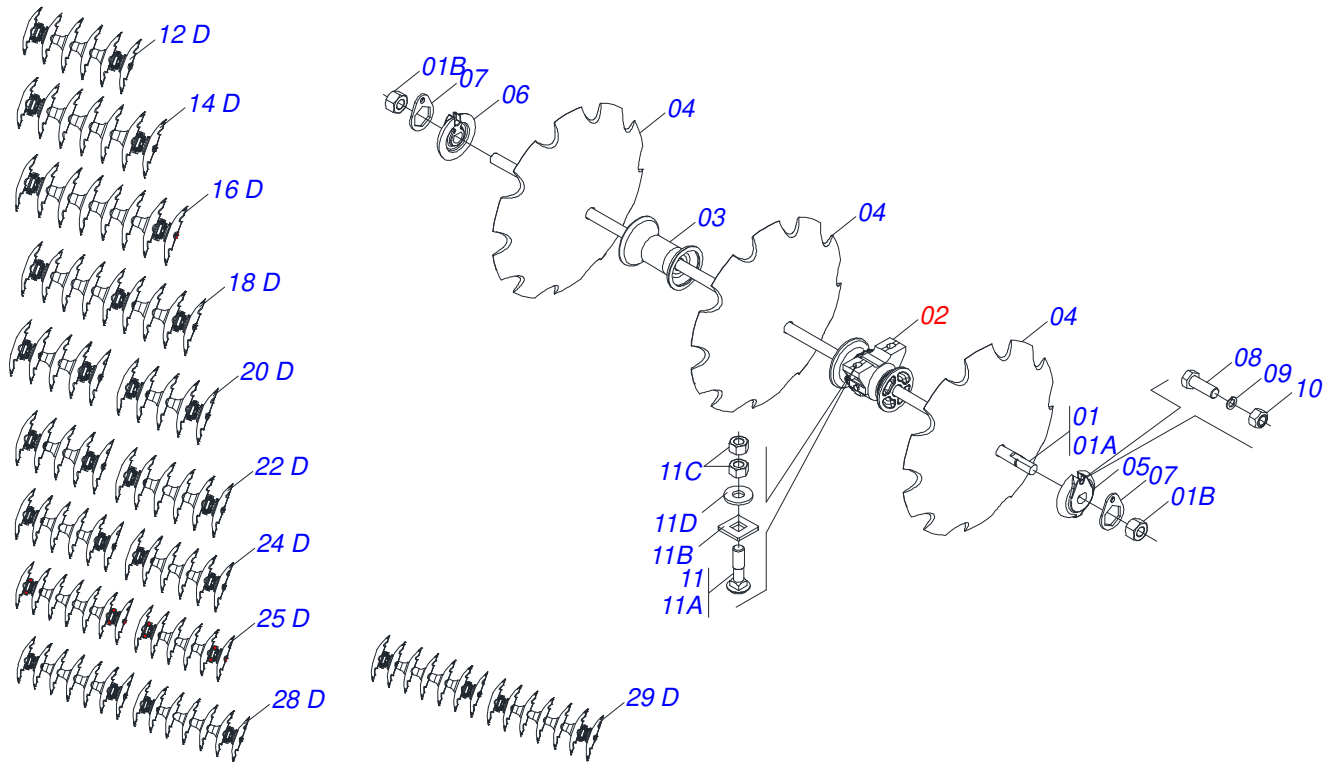
Item	Code	Description	See page	QT
01	0503011627	MALE QUICK COUPLER AGR 1/2 NPT		01
02	0503011882	MALE QUICK COUPLER CAP		01

**HEADER JACK**

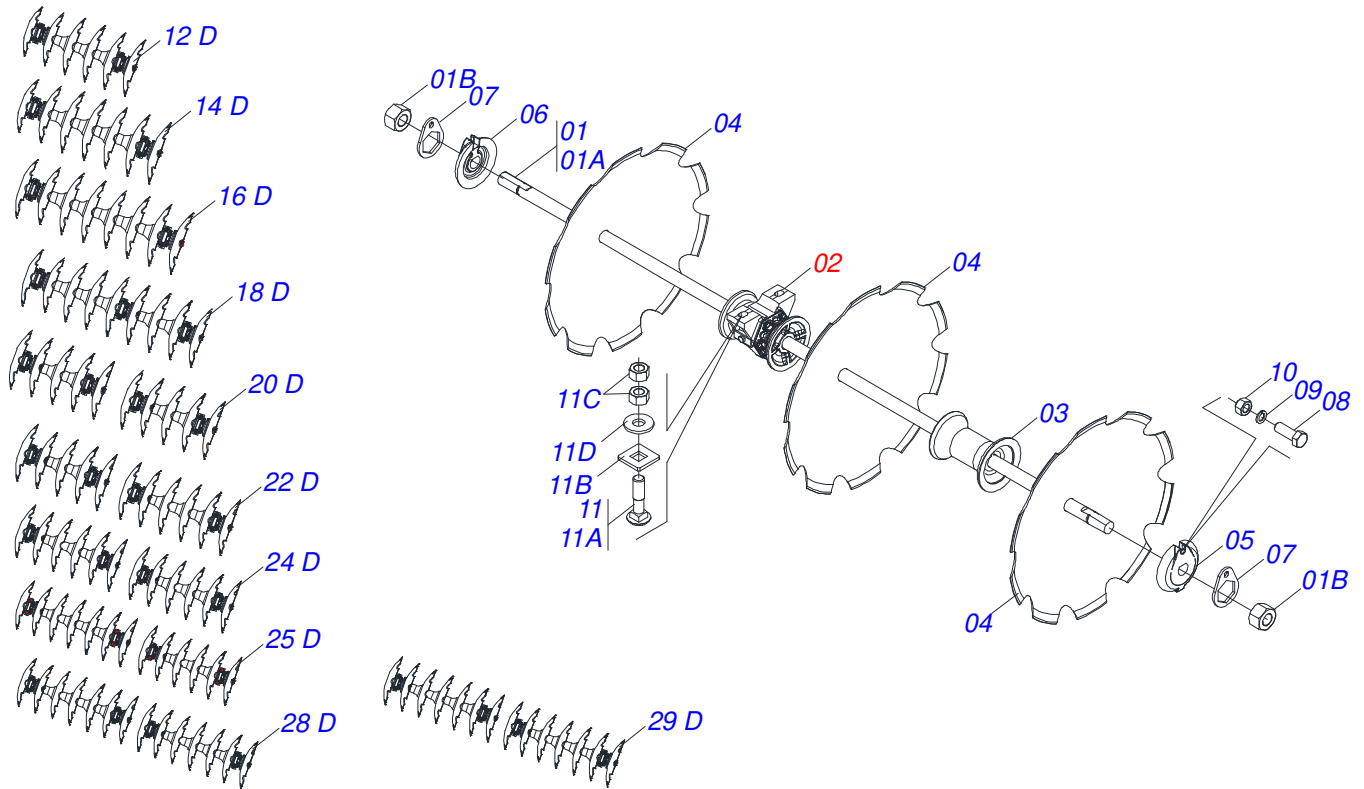
0503062157



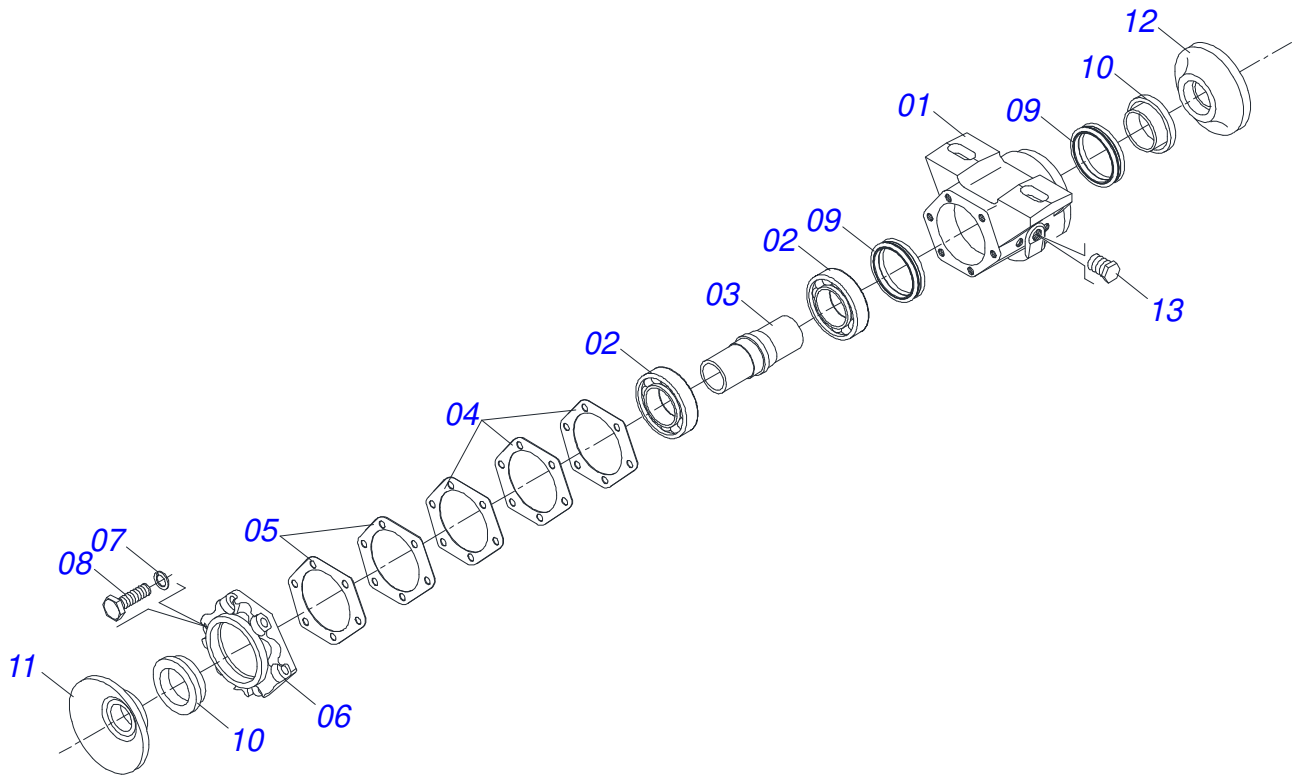
Item	Code	Description	See page	QT
01	0503062157	HEADER JACK	13	01



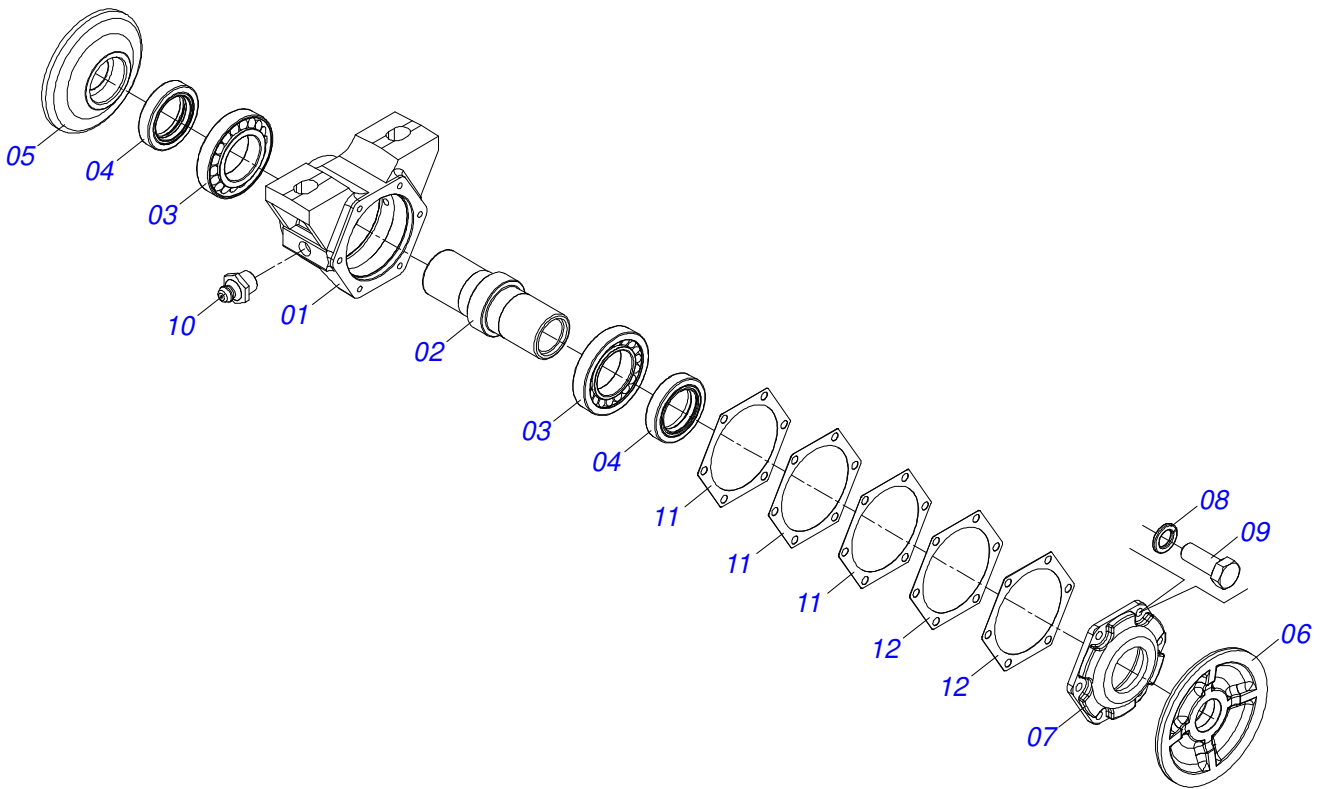
Item	Code	Description	See page	12	14	16	18	20	22	24	25	28	29
01	0501046855	1-5/8" X 52" AXLE WITH NUTS 2-3/4		01	00	00	00	00	01	02	02	00	00
01.	0501046854	1-5/8" X 48" AXLE WITH NUTS 2-3/4		00	02	00	00	00	00	00	00	00	00
01..	0501046859	1-5/8" X 70" AXLE WITH NUTS 2-3/4"		00	00	02	00	00	00	00	00	00	00
01...	0501046860	1-5/8" X 79" AXLE WITH NUTS 2-3/4"		00	00	00	02	00	00	00	00	00	00
01....	0501046853	1-5/8" X 43" AXLE WITH NUTS 2-3/4		00	00	00	00	02	01	00	00	00	00
01.....	0501046857	1-5/8" X 61" AXLE WITH NUTS 2-3/4"		00	00	00	00	00	00	00	01	02	02
01A	0501015237	1-5/8" X 52" AXLE		01	00	00	00	00	01	02	02	00	00
01A.	0501019016	1-5/8 X 48" AXLE		00	01	00	00	00	00	00	00	00	00
01A..	0501015631	1-5/8" X 70" AXLE		00	00	01	00	00	00	00	00	00	00
01A...	0501015329	1-5/8 X 79" AXLE		00	00	00	01	00	00	00	00	00	00
01A....	0501015029	1-5/8" X 43" AXLE		00	00	00	00	02	01	00	00	00	00
01A.....	0501015632	1-5/8" X 61" AXLE		00	00	00	00	00	00	00	01	02	02
01B	0502040640	1.5/8" 2.3/4" NUT		04	04	04	04	08	08	08	08	08	08
02	0501042963	9" X 1-5/8" OIL BATH BEARING	16	02	02	02	03	04	04	04	04	04	04
02.	0501046914	CM GX 9" 1-5/8" SD PR BEARING ASSY	17	02	02	02	03	04	04	04	04	04	04
03	0502010626	8.9" 1-5/8" SPACER		03	04	05	05	04	05	06	07	08	08
04	0602030005	24" X 0.2" NOTCHED DISC BLADE		06	07	08	09	10	10	12	12	14	14
04.	0602037004	28" X 0.2" NOTCHED DISC BLADE		06	07	08	09	10	10	12	12	14	14
04..	0602033005	26" X 0.2" NOTCHED DISC BLADE		06	07	08	09	10	10	12	12	14	14
05	0502011048	1-5/8" EXTERNAL AXLE WASHER		04	04	04	04	08	08	08	08	08	08
06	0502011047	1-5/8" INNER AXLE WASHER		04	04	04	04	08	08	08	08	08	08
07	0511014339	1-5/8" 2.8" NUT LOCK		04	04	04	04	08	08	08	08	08	08
08	0503010232	5/8" X 1.3/4" BOLT		04	04	04	04	08	08	08	08	08	08
09	0503010027	5/8" SPRING WASHER		04	04	04	04	08	08	08	08	08	08
10	0503010013	5/8" NUT		04	04	04	04	08	08	08	08	08	08
11	0511040034	3/4" X 3-1/4" BOLT ASSY		04	04	04	04	08	08	08	08	08	08
11A	0501017303	3/4" X 3-1/4" BOLT		04	04	04	04	08	08	08	08	08	08
11B	0501010949	3/4" SQUARE WASHER		04	04	04	04	08	08	08	08	08	08
11C	0503010014	3/4" NUT		08	08	08	08	16	16	16	16	16	16
11D	0501010322	FLAT WASHER		04	04	04	04	08	08	08	08	08	08



Item	Code	Description	See page	12	14	16	18	20	22	24	25	28	29
01	0501046855	1-5/8" X 52" AXLE WITH NUTS 2-3/4		01	00	00	00	00	01	02	02	00	00
01.	0501046854	1-5/8" X 48" AXLE WITH NUTS 2-3/4		00	02	00	00	00	00	00	00	00	00
01..	0501046859	1-5/8" X 70" AXLE WITH NUTS 2-3/4"		00	00	02	00	00	00	00	00	00	00
01...	0501046860	1-5/8" X 79" AXLE WITH NUTS 2-3/4"		00	00	00	02	00	00	00	00	00	00
01....	0501046853	1-5/8" X 43" AXLE WITH NUTS 2-3/4		00	00	00	00	02	01	00	00	00	00
01.....	0501046857	1-5/8" X 61" AXLE WITH NUTS 2-3/4"		00	00	00	00	00	00	00	01	02	02
01A	0501015237	1-5/8" X 52" AXLE		01	00	00	00	00	01	02	02	00	00
01A.	0501019016	1-5/8 X 48" AXLE		00	01	00	00	00	00	00	00	00	00
01A..	0501015631	1-5/8" X 70" AXLE		00	00	01	00	00	00	00	00	00	00
01A...	0501015329	1-5/8 X 79" AXLE		00	00	00	01	00	00	00	00	00	00
01A....	0501015029	1-5/8" X 43" AXLE		00	00	00	00	02	01	00	00	00	00
01A.....	0501015632	1-5/8" X 61" AXLE		00	00	00	00	00	00	00	01	02	02
01B	0502040640	1.5/8" 2.3/4" NUT		04	04	04	04	08	08	08	08	08	08
02	0501042963	9" X 1-5/8" OIL BATH BEARING	16	02	02	02	03	04	04	04	04	04	04
02.	0501046914	CM GX 9" 1-5/8" SD PR BEARING ASSY	17	02	02	02	03	04	04	04	04	04	04
03	0502010626	8.9" 1-5/8" SPACER		03	04	05	05	04	05	06	07	08	08
04	0602030005	24" X 0.2" NOTCHED DISC BLADE		06	07	08	09	10	10	12	12	14	14
04.	0602037004	28" X 0.2" NOTCHED DISC BLADE		06	07	08	09	10	10	12	12	14	14
04..	0602033005	26" X 0.2" NOTCHED DISC BLADE		06	07	08	09	10	10	12	12	14	14
05	0502011048	1-5/8" EXTERNAL AXLE WASHER		04	04	04	04	08	08	08	08	08	08
06	0502011047	1-5/8" INNER AXLE WASHER		04	04	04	04	08	08	08	08	08	08
07	0511014339	1-5/8" 2.8" NUT LOCK		04	04	04	04	08	08	08	08	08	08
08	0503010232	5/8" X 1.3/4" BOLT		04	04	04	04	08	08	08	08	08	08
09	0503010027	5/8" SPRING WASHER		04	04	04	04	08	08	08	08	08	08
10	0503010013	5/8" NUT		04	04	04	04	08	08	08	08	08	08
11	0511040034	3/4" X 3-1/4" BOLT ASSY		04	04	04	04	08	08	08	08	08	08
11A	0501017303	3/4" X 3-1/4" BOLT		04	04	04	04	08	08	08	08	08	08
11B	0501010949	3/4" SQUARE WASHER		04	04	04	04	08	08	08	08	08	08
11C	0503010014	3/4" NUT		08	08	08	08	16	16	16	16	16	16
11D	0501010322	FLAT WASHER		04	04	04	04	08	08	08	08	08	08



Item	Code	Description	See page	QT
001	0502020446	HOUSING DM		01
002	0503010113	30212 ROLLER BEARING		02
003	0502010639	AXLE FOR CM/DM		01
004	0503031972	137 X 113,2 X 0,3 JOINT		03
005	0503031973	137 X 113,2 X 0,1 JOINT		02
006	0502012445	BEARING COVER BOX (BOX SLIGHTLY)		01
007	0503011443	3/8" SPRING WASHER		06
008	0503010237	3/8" X 1" BOLT		06
009	0503030027	DUO-CONE SEAL		02
010	0502010633	SEAL RETAINER		02
011	0502040239	OUTER FLANGE		01
012	0502040240	INNER FLANGE		01
013	0503010856	OIL PLUG		01



Item	Code	Description	See page	QT
01	0502020448	HOUSING CM		01
02	0502010639	AXLE FOR CM/DM		01
03	0503010113	30212 ROLLER BEARING		02
04	0503010327	SEAL 00556-GB		02
05	0502040240	INNER FLANGE		01
06	0502040239	OUTER FLANGE		01
07	0502020457	HOUSING CAP CM		01
08	0503011443	3/8" SPRING WASHER		06
09	0503010237	3/8" X 1" BOLT		06
10	0503010002	1800 GREASE FITTING		02
11	0503031972	137 X 113,2 X 0,3 JOINT		03
12	0503031973	137 X 113,2 X 0,1 JOINT		02







***civemasa***

***Technical Publications | Elaboration and Revision***

LUIZ CANDIDO

[www.civemasa.com.br](http://www.civemasa.com.br)

