

ROTARY CUTTERS

RTDC2 1200

Code: 0501091580
Series: S-0214
Revision: 00
Revision Date: AGOSTO/2021

PARTS CATALOGUE

CIVEMASA




PRODUCTS

Code	Description
0121540011C	RTDC2 1200 C/R C/PROT CORR EXP S-0214
0121540011	RTDC2 1200 C/R C/PROT CORR S-0214
0121540013	RTDC2 1200 C/R S/PROT CORR EXP S0214
0121540012	RTDC2 1200 S/R C/PROT CORR S-0214
0121540014	RTDC2 1200 S/R S/PROT CORR EXP S0214

ATTENTION: IMPORTANT

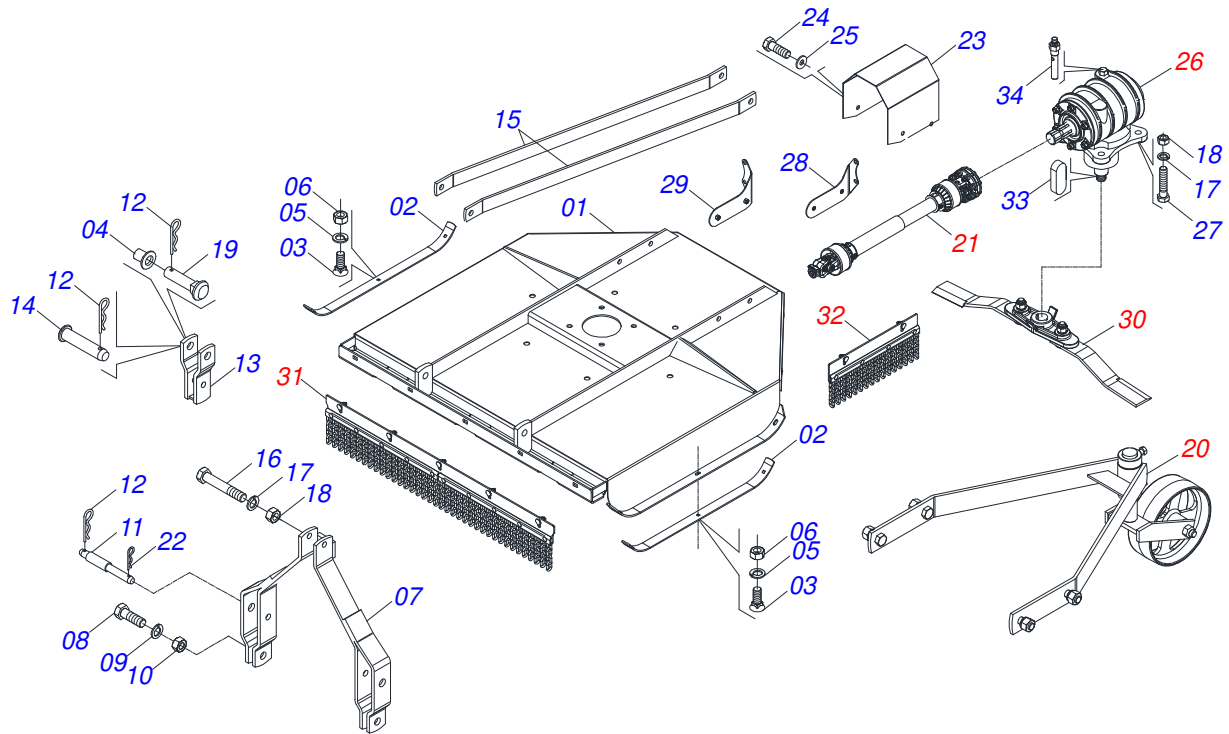
Civemasa reserves the right to improve and / or modify the technical features of its products, without obligation to do the same with those products already sold and without prior knowledge of the dealer or the consumer.





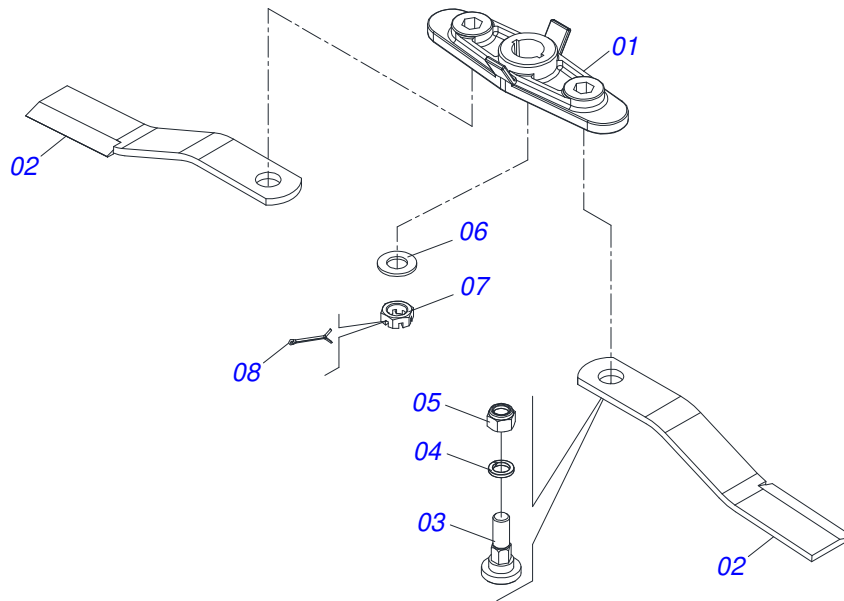
INDEX

0909090032	FRAME	1
0501058161	CUTTER COMPLETE SUPPORT	2
0501058820	SET WHEEL ASSY	3
0501047949	DRIVE SHAFT	4
0909090701	CARDAN 40 X 800 T1/FRI CP 0501047949 (STU)	5
0501043660	FRICTION	6
0501046851	MULTIPLIER	7
0909091430	(SHEET METAL SUPPORT)SPARE	8
0511054731	CURRENT PROTECTION	9
0511054751	CURRENT PROTECTION	10

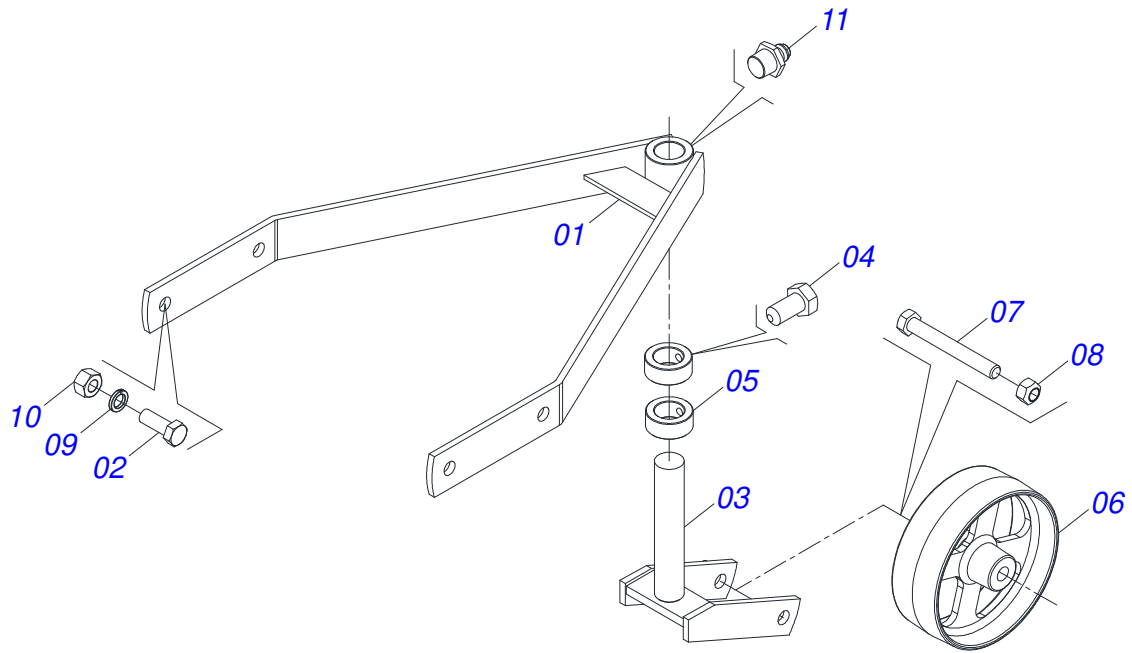


Item	Code	Description	See page	QT
01	0521064703	FRAME		01
02	0571015573	1/2" X 1.2" WITH HOLE BOLT		02
03	0503011426	7/16" X 1-1/4" BOLT		06
04	0521010443	1" SLEEVE		01
05	0503010180	7/16" SPRING WASHER		06
06	0503010244	7/16" NUT		06
07	0511069422	DRAWBAR		01
08	0501010276	BOLT		02
09	0503010012	1" SPRING WASHER		02
10	0501010059	1.5/8 NUT		02
11	0521013311	RC2 1300 AXLE		02
12	0503031035	HAIR PIN		03
13	0501060330	PIVOT DOUBLE BAR		01
14	0521010578	COUPLING SHAFT		01
15	0571015571	FRENCH HAND		02
16	0503011084	3/4" X 5" BOLT		01
17	0503010023	3/4" SPRING WASHER		09
18	0503010014	3/4" NUT		09
19	0501017591	DRAWBOLT		01
20	0501058820	SET WHEEL ASSY	3	01
21	0501047949	DRIVE SHAFT	4	01
22	0503030168	HAIR PIN		02
23	0531017832	PROTECTION COVER		01
24	0503010256	3/8" X 3/4" BOLT		04
25	0501010984	FLAT WASHER		04
26	0501046851	MULTIPLIER	7	01
27	0503013390	3/4" UNC BOLT		04
28	0511069475	LH FIXER COVER		01
29	0511069476	RIGHT COVER FIXER		01
30	0501058161	CUTTER COMPLETE SUPPORT	2	01
31	0511054731	CURRENT PROTECTION	9	01

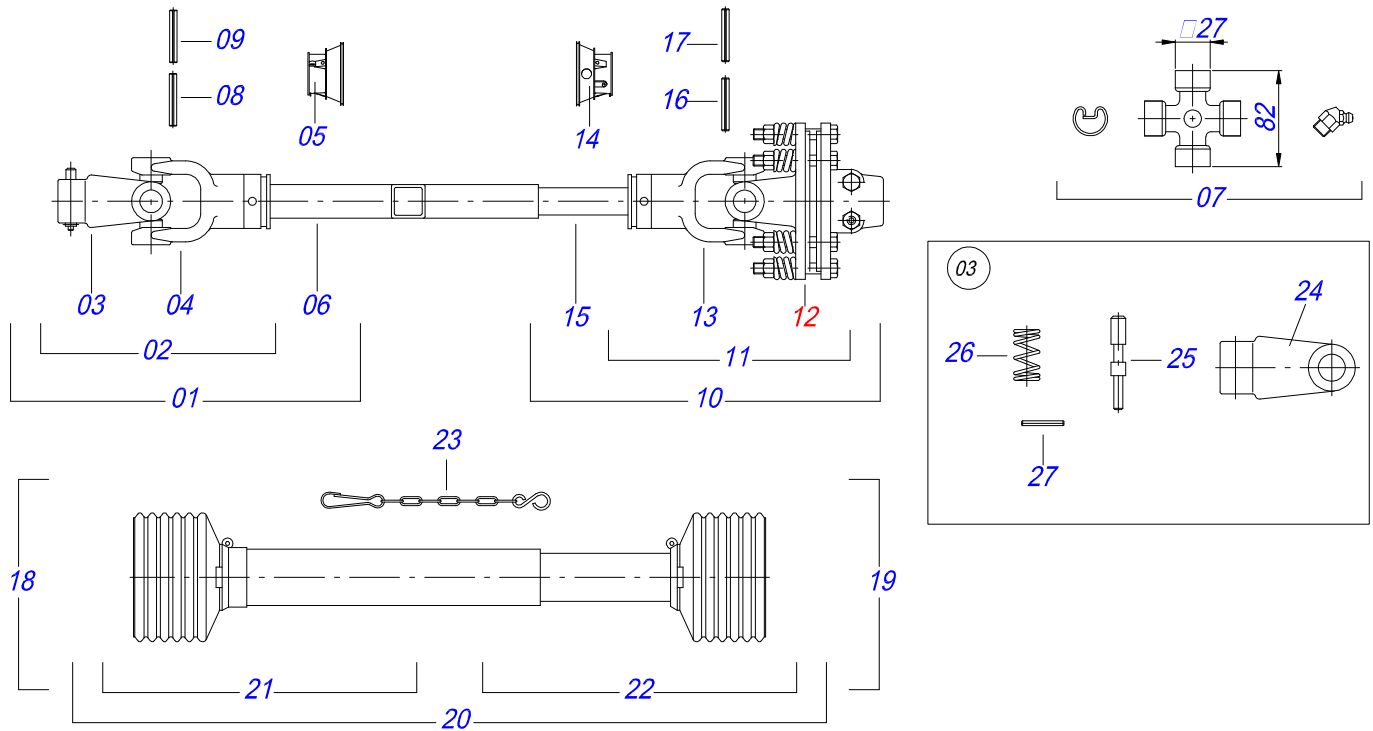
Item	Code	Description	See page	QT
32	0511054751	CURRENT PROTECTION	10	03
33	0501010536	KEYWAY SQUARE		02
34	0501110186	OIL SMALLER LEVEL INDICATOR		01



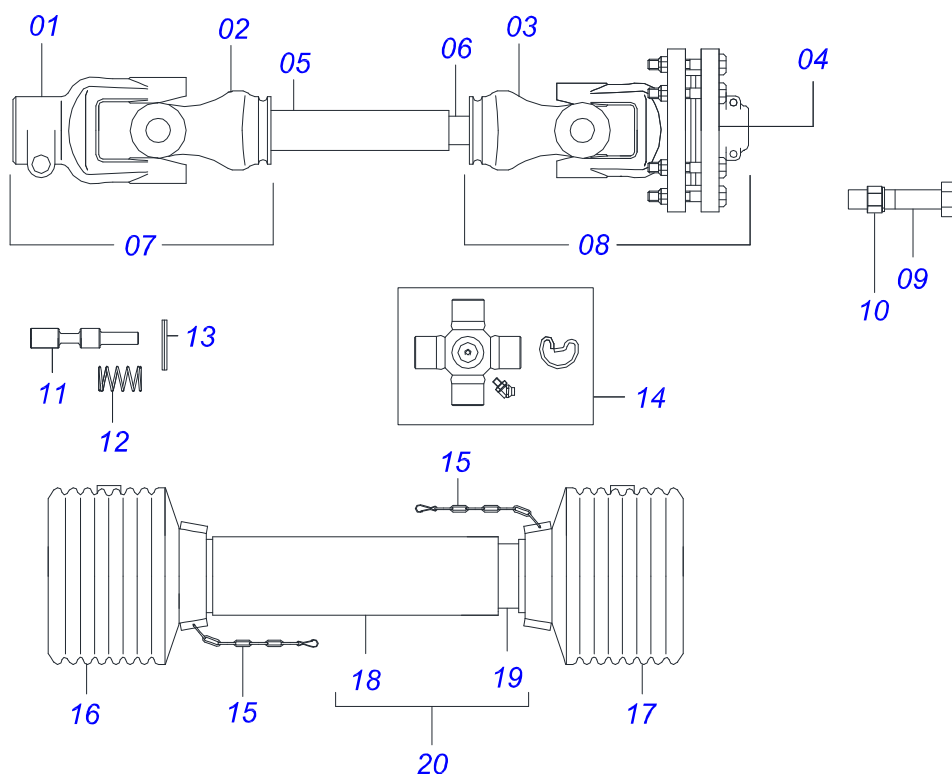
Item	Code	Description	See page	QT
01	0502012508	FIXER SUPPORT CUTTERS		01
02	0622340091	ROTARY CUTTER CM 520 X 3" X 1/2" RC 1200L		02
03	0541013328	FASTERNER ROCADORES		02
04	0503011438	SPRING WASHER		02
05	0503010063	1" SELF-ALIGNING NUT		02
06	0501017779	32 X 60 X 4.75 FLAT WASHER		01
07	0503011052	1.1/4" X 0.77" CASTLE NUT		01
08	0503010067	3/16" X 2.1/2" COTTER PIN		01



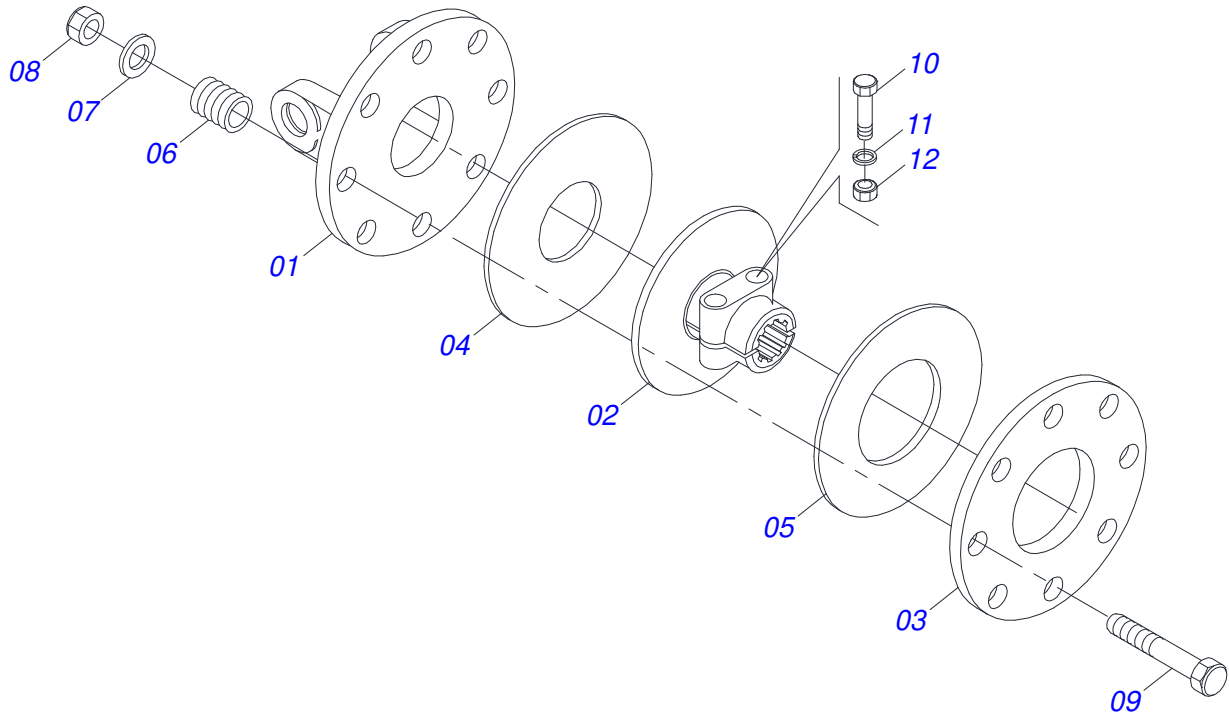
Item	Code	Description	See page	QT
01	0511069419	DEPTH ARM FIXER		01
02	0501010098	3/4" UNC BOLT		04
03	0511069421	REAR WHEELS FORK		01
04	0501018535	1/2 X 1 BOLT		02
05	0551018422	SLEEVE 38,5 X 61 X 25		02
06	0502020106	WHEEL		01
07	0503011198	C3/4" X 6" SCREW		01
08	0503011255	3/4" LOCK NUT		01
09	0503010023	3/4" SPRING WASHER		04
10	0503010014	3/4" NUT		04
11	0503010002	1800 GREASE FITTING		01



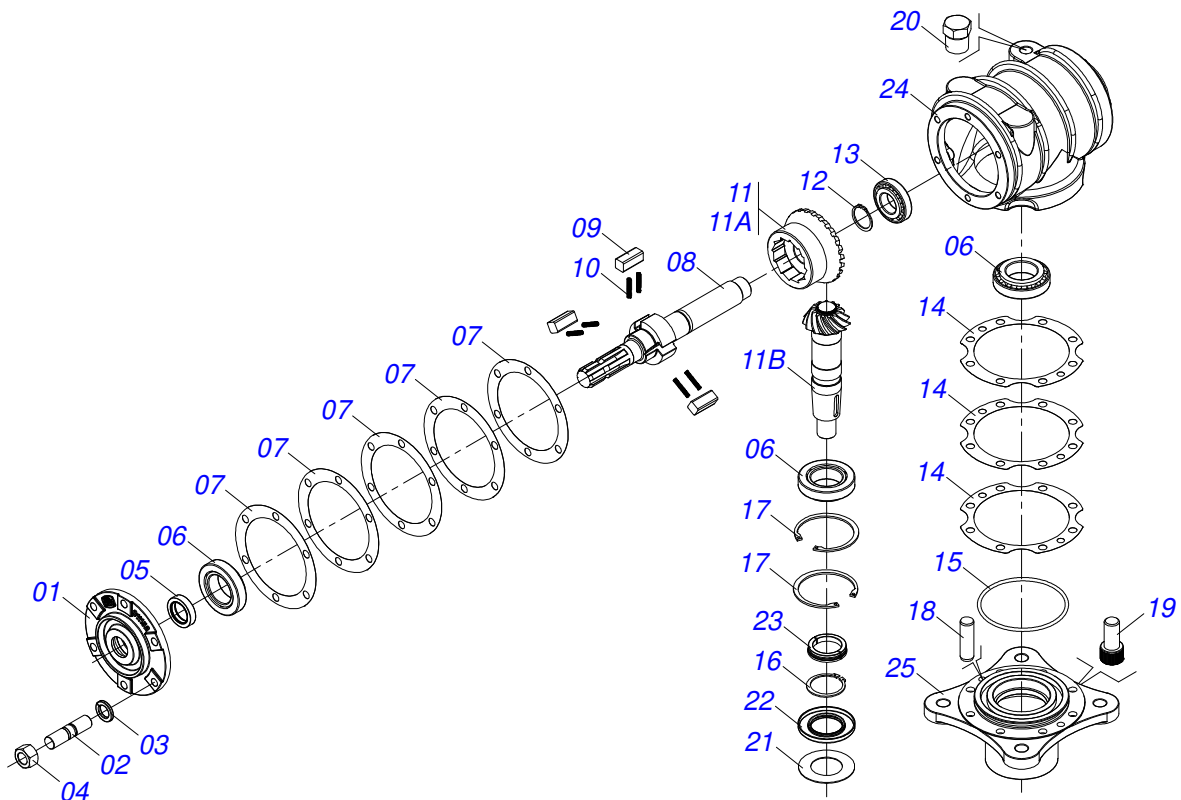
Item	Code	Description	See page	QT
01	0501051715	UNIVERSAL JOINT		01
02	0501050265	UNIVERSAL JOINT		01
03	0501050333	1-40 TERMINAL WITH HITCH		01
04	0502010565	2-40 TERMINAL W/ SH 1.5"/1.5"		01
05	0503012069	ADAPTER FOR BUSHING PROTECT		01
06	0501017429	31" X 1.5" SQUARE SLEEVE		01
07	0503010836	CARDAN CROSSPIECE		02
08	0503011069	0.4" X 2.8" SPRING PIN		01
09	0503010510	0.2" X 2.6" SPRING PIN		01
10	0501051716	UNIVERSAL JOINT WITH SHAFT		01
11	0501050466	UNIVERSAL JOINT WITH CROSSPIECE		01
12	0501043660	FRICITION	6	01
13	0502010566	3-40 TERMINAL WITH SH 1.2"/1.2"		01
14	0503012070	ADAPTER FOR AXLE PROTECTION		01
15	0501017425	1.2" X 31.5" SQUARE SHAFT		01
16	0503010361	SPRING PIN		01
17	0503010756	0.2" X 2.4" SPRING PIN		01
18	0501051701	UNIVERSAL JOINT WITH SLEEVE/PROT		01
19	0501051702	UNIVERSAL JOINT WITH AXLE/PROT		01
20	0503012077	PROTECTION ASSY		01
21	0503012078	PROTECTION FOR UNIV JOINT AND SLEEV		01
22	0503012079	PROTECTION FOR UNIV JOINT AND AXLE		01
23	0503012023	CHAIN FOR PROTECTION		02
24	0502010563	1-40 STRIATED 1.3/8" TERMINAL		01
25	0521010638	0.5" X 3.3" QUIC HITCH COUPL SHAFT		01
26	0503030518	0.5"X1.0"X 0.1" COMPRESSION SPRING		01
27	0503010838	0.1" X 0.8" SPRING PIN		01



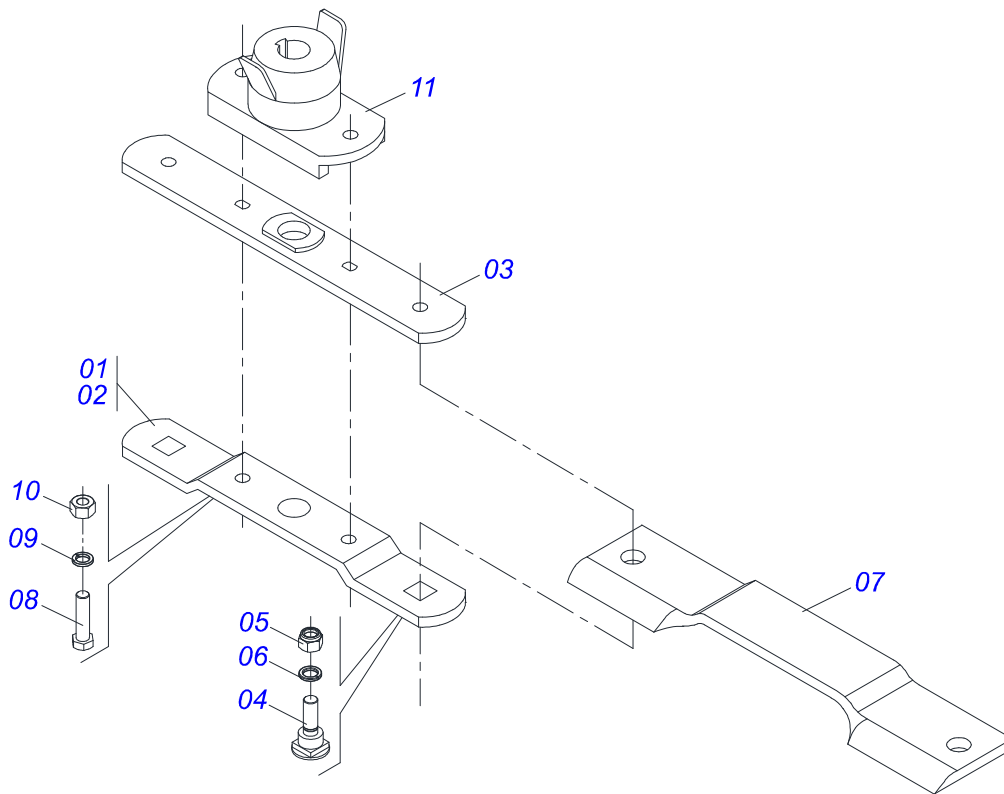
Item	Code	Description	See page	QT
01	0503017647	TERMINAL		01
02	0503017648	TERMINAL		01
03	0503017649	TERMINAL		01
04	0503062339	FRICTION		01
05	0503017652	TUBE		01
06	0503017653	BAR		01
07	0503062340	JOINT		01
08	0503062341	JOINT		01
09	0503017645	HEXAGON BOLT		06
10	0503017646	NUT		06
11	0503017626	COUPLING SHAFT		01
12	0503017627	HITCH SPRING		01
13	0503017628	COTTERPIN		01
14	0503017644	CROSSPIECE		02
15	0503017631	CHAIN ASSY		01
16	0503017632	COVER		01
17	0503017633	COVER		01
18	0503017677	PLASTIC TUBE		01
19	0503017678	PLASTIC TUBE		01
20	0503062352	COMPLETE PROTECTION		01



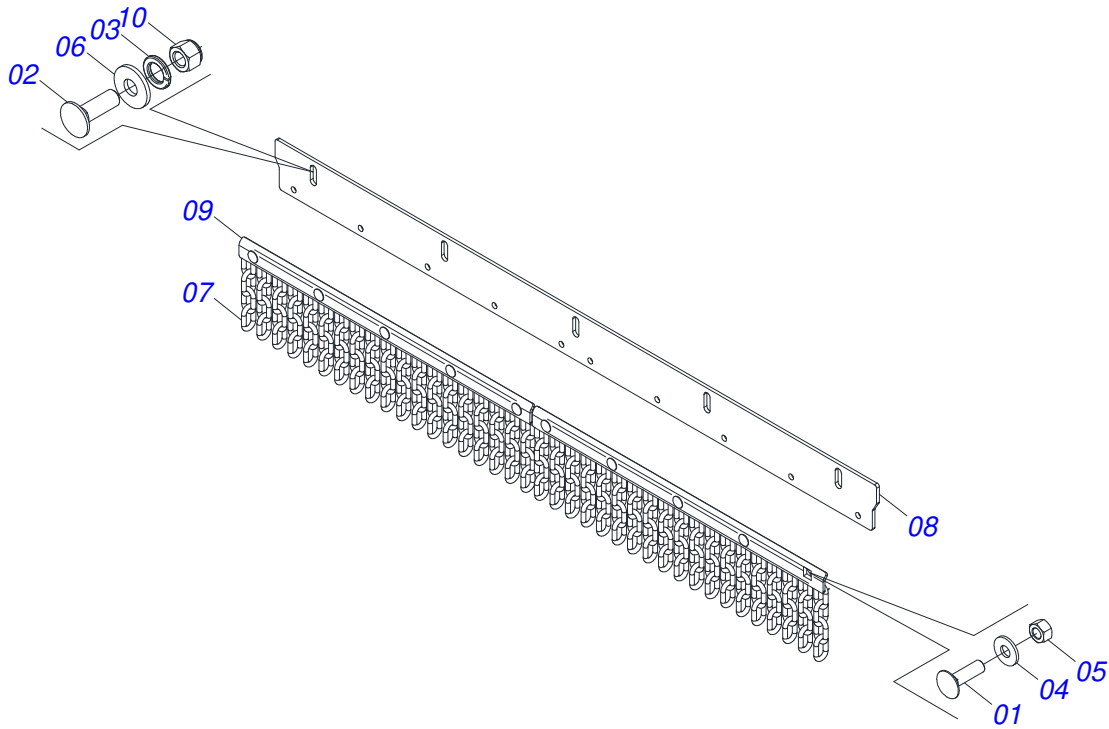
Item	Code	Description	See page	QT
01	0503011869	CENTRAL FLANGE		01
02	0503031478	OUTER FRICTION DISC		01
03	0503011870	REAR FLANGE		01
04	0503031474	INNER FRICTION DISC		01
05	0503011868	FRONT FLANGE		01
06	0503010752	1/2" X 3.1/2" BOLT		08
07	0503030630	1.02"X1.3"X0.2" COMPRESSION SPRING		08
08	0511017302	FLAT WASHER		08
09	0503011336	1/2" HEX SELF ADJUSTING NUT		08
10	0503010741	1/2" X 2-3/4" BOLT		02
11	0503010019	1/2" SPRING WASHER		02
12	0503010060	1/2" NUT		02



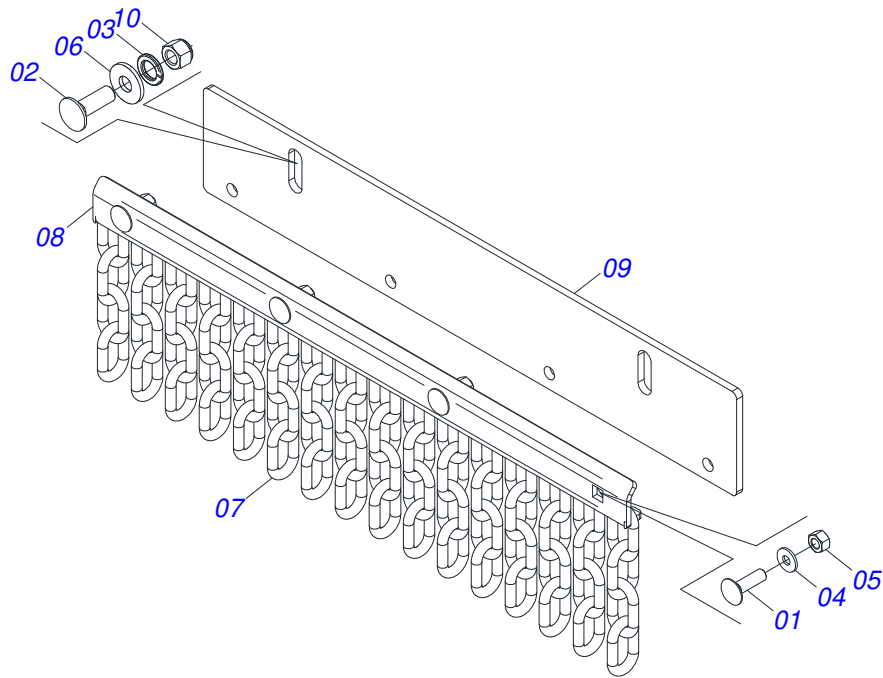
Item	Code	Description	See page	QT
01	0502011152	SMALLER COVER	01	
02	0503030084	1/2" X 1/2" X 2.0" STUD	06	
03	0503011440	SPRING WASHER	06	
04	0503010028	1/2" NUT	06	
05	0503011171	00912-BRG SEAL	01	
06	0503010006	32210 ROLLER BEARING	03	
07	0503030783	7.1" X 5.3" X 0.008" JOINT	05	
08	0503050063	UPPER AXLE	01	
09	0501010649	RATCHET CLICK	03	
10	0503030051	0.2" X 1" X 0.1" COMPRESSION SPRING	06	
11	0503060210	CROWN PINION SET	01	
11A	0503050074	25Z CONICAL GEAR	01	
11B	0503061048	PINION	01	
12	0503010217	501040 CLAMPING RING (FOR AXLE)	01	
13	0503010037	30207 ROLLER BEARING	01	
14	0503030785	7.9" X 5.9" X 0.008" JOINT	03	
15	0503010286	2-355 N 3006-9B O-RING	01	
16	0503010396	501060 CLAMPING RING (FOR AXLE)	01	
17	0503011190	SEAL RING	02	
18	0503017877	PIN GUIDE	02	
19	0503010562	1/2" X 1" BOLT	08	
20	0503031604	1/2" BSP PLUG	01	
21	0521018064	FLAT WASHER	01	
22	0503011047	5089 SEAL	01	
23	0511010142	LOCK RING	01	
24	0502010984	LEFT MULTIPLIER BOX	01	
25	0502011393	LOWER HUB	01	



Item	Code	Description	See page	QT
01	0501056326	SUPPORT WITH ROTARY CUTTER BLADES		01
02	0561017368	ROTARY LOWER SUPPORT		01
03	0561017308	SUPPORT UPPER BASE		01
04	0511019000	BOLT		02
05	0503010812	7/8" UNF SELF LOCKING NUT		02
06	0503011447	SPRING WASHER		02
07	0622400057	21.6" X 3.94" X 0.5" ROTARY CUTTER		02
08	0503010901	3/4UNC 3.1/2 BOLT		02
09	0503010023	3/4" SPRING WASHER		02
10	0503010014	3/4" NUT		02
11	0502012453	SUPPORT FLANGE		01



Item	Code	Description	See page	QT
01	0501010942	3/8" X 1-1/4" BOLT		10
02	0501011600	1/2" X 1-1/4" BOLT		05
03	0503010019	1/2" SPRING WASHER		05
04	0503010025	3/8" SPRING WASHER		10
05	0503010026	3/8" NUT		10
06	0511017302	FLAT WASHER		05
07	0511011774	8,00 CHAIN 4 LINK		38
08	0571015427	CHAIN PROTECTION BODY		01
09	0571015430	CLAW PROTECTION CHAIN		02
10	0503012682	1/2" BSW NUT		05



Item	Code	Description	See page	QT
01	0501010942	3/8" X 1-1/4" BOLT		04
02	0501011600	1/2" X 1-1/4" BOLT		02
03	0503010019	1/2" SPRING WASHER		02
04	0503010025	3/8" SPRING WASHER		04
05	0503010026	3/8" NUT		04
06	0511017302	FLAT WASHER		02
07	0511011774	8,00 CHAIN 4 LINK		16
08	0571015267	CLAW PROTECTION CHAIN		01
09	0571015268	CHAIN PROTECTION BODY		01
10	0503012682	1/2" BSW NUT		02



civemasa

Technical Publications | Elaboration and Revision
ALESSANDRA PATRICIA KAWAHARA CARRILI

www.civemasa.com.br

