

**DISK HARROWS**

**GDL 20/24/28/32/36/42D - 32/36/42D - PA**

**Code:** 0501091578

**Series:** S-0814

**Revision:** 00

**Revision Date:** MARÇO/2022

**PARTS  
CATALOGUE**

***CIVEMASA***

# PRODUCTS

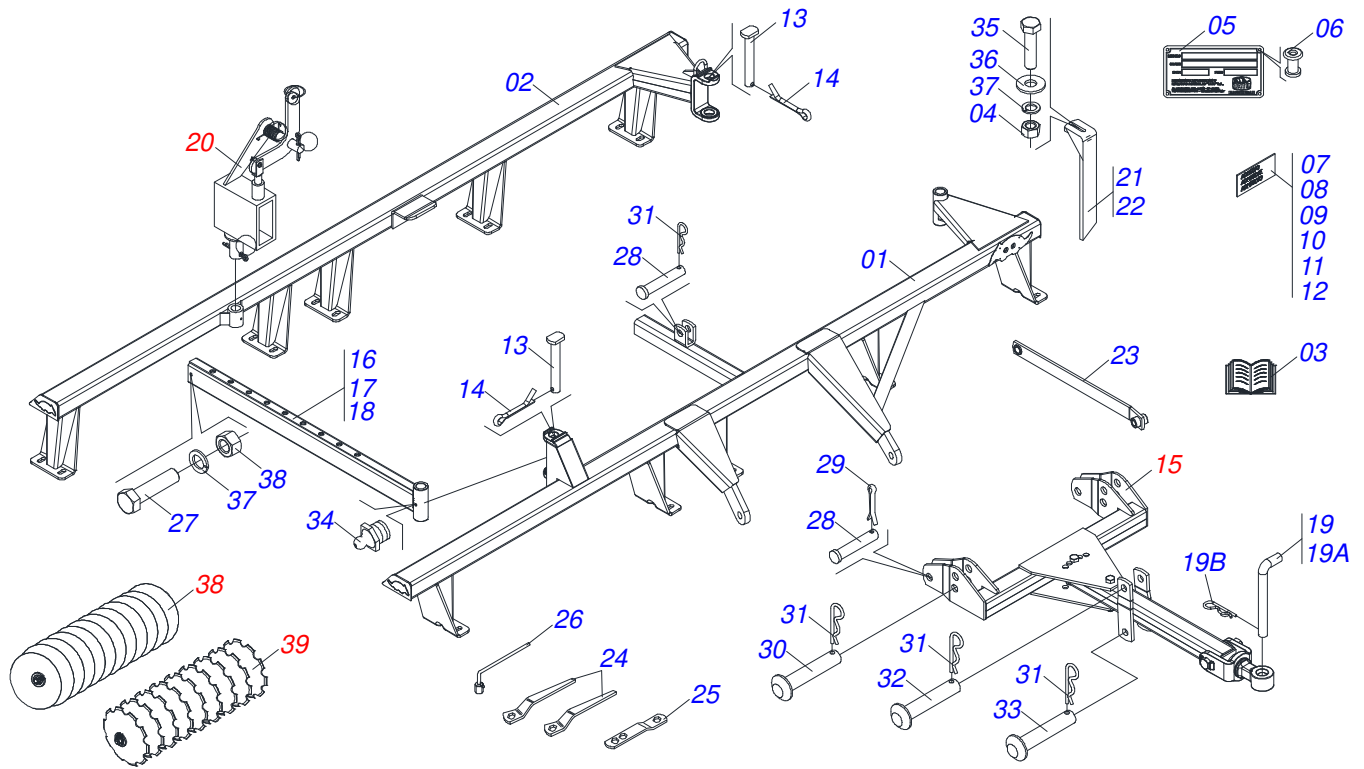
Code	Description
0121470014	GDL 20 X 20 X 3,5 DM MT S-0814
0121470015	GDL 24 X 20 X 3,50 DM MT S-0814
0121470016	GDL 24 X 22 X 3,50 DM DR S-0814
0121470017	GDL 28 X 20 X 3,50 DM MT S-0814
0121470018	GDL 28 X 22 X 3,50 DM DR S-0814
0121470047	GDL 28 X 22 X 3,50 MT DM E 1.1/4 S-0814
0121470019	GDL 32 X 20 X 3,50 CM MT S-0814
0121470020	GDL 32 X 20 X 3,50 DM MT S-0814
0121470033	GDL 32 X 20 X 3,50 DM MT PA S-0814
0121470021	GDL 32 X 22 X 3,50 DM DR S-0814
0121470046	GDL 32 X 22 X 3,50 MT DM E 1.1/4 S-0814
0121470048	GDL 32 X 22 X 4,50 MT CM E 1.1/4 S-0814
0121470022	GDL 36 X 20 X 3,5 MA MT S-0814
0121470023	GDL 36 X 20 X 3,50 CM MT S-0814
0121470025	GDL 36 X 20 X 3,50 DM DR S-0814
0121470024	GDL 36 X 20 X 3,50 DM MT S-0814
0121470034	GDL 36 X 20 X 3,50 DM MT PA S-0814
0121470026	GDL 36 X 22 X 3,5 DM MT S-0814
0121470027	GDL 36 X 22 X 3,50 DM DR S-0814
0120890012	GDL 36 X 22 X 4,50 MT CM E 1.1/4 S-0814
0121470028	GDL 42 X 20 X 3,50 DM MT S-0814
0121470035	GDL 42 X 20 X 3,50 DM MT PA S-0814
0121470029	GDL 42 X 22 X 3,50 CM MT S-0814
0121470039	GDL 42 X 22 X 3,50 DM DR PA S-0814
0121470030	GDL 42 X 22 X 3,50 DM MT S-0814
0121470031	GDL 42 X 22 X 4,00 DM MT S-0814
0121470049	GDL 42 X 22 X 4,50 MT CM E 1.1/4 S-0814

## ATTENTION: IMPORTANT

CIVEMASA reserves the right to improve and/or modify the technical features of its products, without obligation to do the same with those products already sold and without prior knowledge of the dealer or the consumer. The photos are only illustrative.

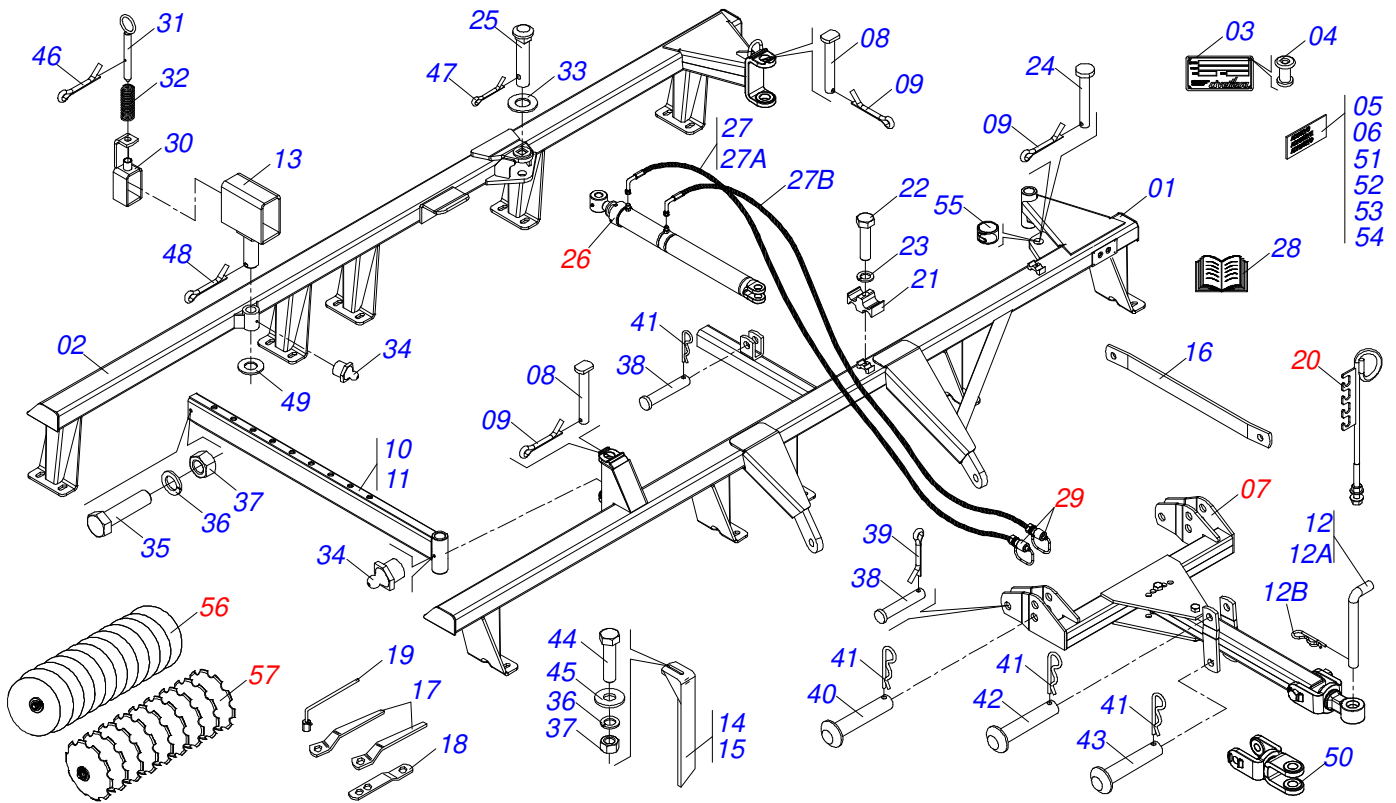
# INDEX

0909090882	ASSY FRAME 20/24/28/32/36/42D	.....	1
0909090883	ASSY FRAME 32/36/42D - PA	.....	2
0501043381	DRAWBAR ASSY	.....	3
0501043278	ADJUSTMENT ASSY	.....	4
0501040257	3/4 X 1200 HOSE HOLDER A	.....	5
0501053834	MALE QUICK COUPLER	.....	6
0521044668	HYDRAULIC CYLINDER Ø44,45XØ76,20X990X165	.....	7
0511058458	HYDRAULIC CYLINDER 44,45 X 76,20 X 990 X 165	.....	8
0909090153	REAR DISKS SECTION	.....	9
0909090235	FRONT DISK SECTION	.....	10
0501040130	FRICTION BEARING	.....	11
0501046920	1-1/4"BATH BEARING	.....	12
0501046911	CM GX 7" 1-1/4" PR BEARING ASSY	.....	13
0521047188	AGRICULTURAL BEARING DMO 182 X 1.1/4 WITH SUPPORT WITH PROTECTION	.....	14
0521050841	AGRICULTURAL BEARING DMO 182 X 1.1/4 IMPORTED	.....	15



Item	Code	Description	See page	20	24	28	32	36	42
01	0521065371	FRAME FRONT		01	00	00	00	00	00
01.	0521065369	FRAME FRONT		00	01	00	00	00	00
01..	0521065367	FRAME FRONT		00	00	01	00	00	00
01...	0521065355	FRAME FRONT		00	00	00	01	00	00
01....	0521065357	FRAME FRONT		00	00	00	00	01	00
01.....	0521065359	FRAME FRONT		00	00	00	00	00	01
02	0521065372	FRAME REAR		01	00	00	00	00	00
02.	0521065370	FRAME REAR		00	01	00	00	00	00
02..	0521065368	FRAME REAR		00	00	01	00	00	00
02...	0521065354	FRAME REAR		00	00	00	01	00	00
02....	0521065336	FRAME REAR		00	00	00	00	01	00
02.....	0521065358	FRAME REAR		00	00	00	00	00	01
03	0511031511	BAG WITH INSTRUCTION MANUAL		01	01	01	01	01	01
04	0503010060	1/2" NUT		29	33	41	45	53	61
05	0503034004	ALUMINUM IDENTIFICATION LABEL		01	01	01	01	01	01
06	0503010001	3.2 X 5.5 RIVET		04	04	04	04	04	04
07	0503033644	GDL EMBLEM		01	01	01	01	01	01
08	0503033647	APPROVED BADGE		01	01	01	01	01	01
09	0503033404	CIVEMASA BADGE		01	01	01	01	01	01
10	0503033644	GDL EMBLEM		01	01	01	01	01	01
11	0503033404	CIVEMASA BADGE		01	01	01	01	01	01
12	0503031428	READ MANUAL DECAL		01	01	01	01	01	01
13	0521010644	1.5" X 8.4" COUPLING SHAFT		02	02	02	02	02	02
14	0503010534	3/8 X 2-1/2 COTTERPIN		02	02	02	02	02	02
15	0501043381	DRAWBAR ASSY	3	01	01	01	01	01	01
16	0501065297	1445 ADJUSTMENT BAR		01	01	00	00	00	00
17	0501065295	1945 ADJUSTMENT BAR		00	00	01	01	00	00
18	0501065296	2245 ADJUSTMENT BAR		00	00	00	00	01	01
19	0501040343	DRAWBOLT ASSY		01	01	01	01	01	01
19A	0521010453	AXI SHAFT		01	01	01	01	01	01
19B	0503031035	HITCH PIN CLIP		01	01	01	01	01	01

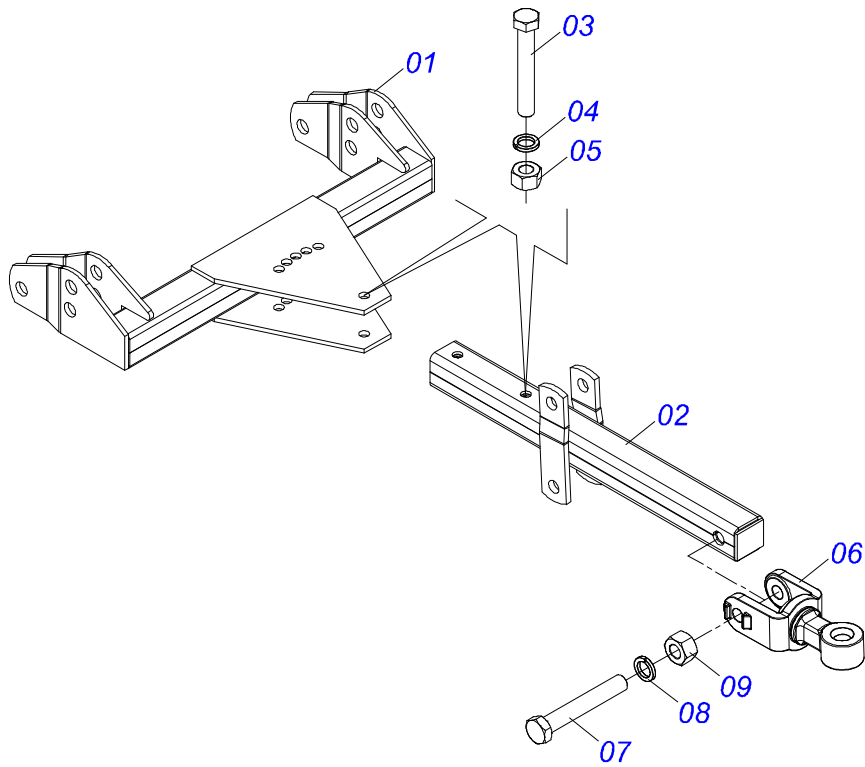
Item	Code	Description	See page	20	24	28	32	36	42
20	0501043278	ADJUSTMENT ASSY	4	01	01	01	01	01	01
21	0501063963	FRONT SCRAPER		07	08	10	11	13	15
22	0501063962	REAR SCRAPER		07	08	10	11	13	15
23	0521063407	FRENCH HAND		01	01	01	01	01	01
24	0501010198	1-1/4" CABLE FLAT WRENCH		02	02	02	02	02	02
25	0511018451	5/8" X 3/4" X 1" UNIVERSAL		01	01	01	01	01	01
26	0501068273	5/8" WRENCH		01	01	01	01	01	01
27	0503010741	1/2" X 2-3/4" BOLT		01	01	01	01	01	01
28	0521010592	1.1" X 3.1" COUPLING SHAFT		03	03	03	03	03	03
29	0503010571	1/4" X 1.1/2 COTTERPIN		02	02	02	02	02	02
30	0521010593	1.1" X 3.9" COUPLING SHAFT		02	02	02	02	02	02
31	0503031035	HITCH PIN CLIP		05	05	05	05	05	05
32	0521010580	COUPLING SHAFT		01	01	01	01	01	01
33	0521010581	0.9" X 4.9" COUPLING SHAFT		01	01	01	01	01	01
34	0503010002	1800 GREASE FITTING		03	03	03	03	03	03
35	0503011082	C1/2" X 1.3/4" SCREW		28	32	40	44	52	60
36	0511017302	FLAT WASHER		28	32	40	44	52	60
37	0503010019	1/2" SPRING WASHER		29	33	41	45	53	61
38	0909090153	REAR DISKS SECTION	9	01	01	01	01	01	01
39	0909090235	FRONT DISK SECTION	10	01	01	01	01	01	01



Item	Code	Description	See page	32	36	42
01	0521065365	FRAME FRONT		01	00	00
01.	0521065363	FRAME FRONT		00	01	00
01..	0521065361	FRAME FRONT		00	00	01
02	0521065366	FRAME REAR		01	00	00
02.	0521065364	FRAME REAR		00	01	00
02..	0521065362	FRAME REAR		00	00	01
03	0503034004	ALUMINUM IDENTIFICATION LABEL		01	01	01
04	0503010001	3.2 X 5.5 RIVET		04	04	04
05	0503033644	GDL EMBLEM		01	01	01
06	0503033647	APPROVED BADGE		01	01	01
07	0501043381	DRAWBAR ASSY	3	01	01	01
08	0521010644	1.5" X 8.4" COUPLING SHAFT		02	02	02
09	0503010534	3/8 X 2-1/2 COTTERPIN		03	03	03
10	0501065295	1945 ADJUSTMENT BAR		01	00	00
11	0501065296	2245 ADJUSTMENT BAR		00	01	01
12	0501040343	DRAWBOLT ASSY		01	01	01
12A	0521010453	AXI SHAFT		01	01	01
12B	0503031035	HITCH PIN CLIP		01	01	01
13	0521065232	BAR GUIDE ESTABILIZER PA		01	01	01
14	0501063963	FRONT SCRAPER		11	13	15
15	0501063962	REAR SCRAPER		11	13	15
16	0521063407	FRENCH HAND		01	01	01
17	0501010198	1-1/4" CABLE FLAT WRENCH		02	02	02
18	0511018451	5/8" X 3/4" X 1" UNIVERSAL		01	01	01
19	0501068273	5/8" WRENCH		01	01	01
20	0501040257	3/4 X 1200 HOSE HOLDER A	5	01	01	01
21	0502012702	BODY SUPPORT CLAMP		02	02	02
22	0503012555	SCREW 7/16 UNC X 2 CS RT G.7 ZN		02	02	02
23	0503010180	7/16" SPRING WASHER		02	02	02
24	0521012538	1.2" X 3.5" COUPLING SHAFT		01	01	01
25	0521013077	1.2" X 5.7" PIVOT SHAFT		01	01	01

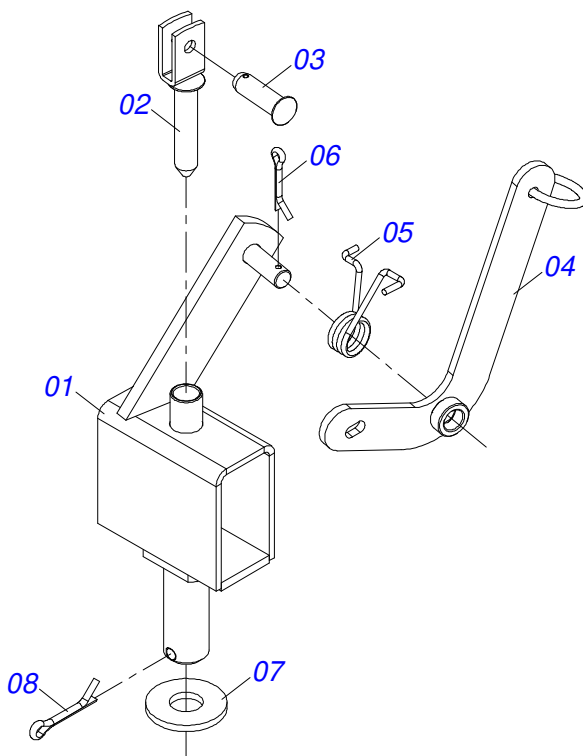
Item	Code	Description	See page	32	36	42
26	0521044668	HYDRAULIC CYLINDER Ø44,45XØ76,20X990X165	7	01	01	01
26.	0511058458	HYDRAULIC CYLINDER 44,45 X 76,20 X 990 X 165	8	01	01	01
27	0511056370	HOSES GAME		01	01	01
27A	0501081551	HOSE		01	01	01
27B	0501080366	HOSE 3/8 TC-TM 4800		01	01	01
28	0511031511	BAG WITH INSTRUCTION MANUAL		01	01	01
29	0501053834	MALE QUICK COUPLER	6	02	02	02
30	0521065233	BOX LIMITER COURSE		01	01	01
31	0521065234	AXLE LOCK BAR ADJUSTMENT		01	01	01
32	0503034060	COMPRESSION SPRING		01	01	01
33	0551019529	FLAT WASHER		01	01	01
34	0503010002	1800 GREASE FITTING		04	04	04
35	0503010741	1/2" X 2-3/4" BOLT		01	01	01
36	0503010019	1/2" SPRING WASHER		45	53	61
37	0503010060	1/2" NUT		45	53	61
38	0521010592	1.1" X 3.1" COUPLING SHAFT		03	03	03
39	0503010571	1/4" X 1.1/2 COTTERPIN		02	02	02
40	0521010593	1.1" X 3.9" COUPLING SHAFT		02	02	02
41	0503031035	HITCH PIN CLIP		05	05	05
42	0521010580	COUPLING SHAFT		01	01	01
43	0521010581	0.9" X 4.9" COUPLING SHAFT		01	01	01
44	0503011082	C1/2" X 1.3/4" SCREW		44	52	60
45	0511017302	FLAT WASHER		44	52	60
46	0503010131	3/16" X 1-1/2" COTTERPIN		01	01	01
47	0503010523	1/4" X 2" COTTERPIN		01	01	01
48	0503010073	3/8 X 3-1/2 COTTERPIN		01	01	01
49	0501012916	FLAT WASHER 38,50 X 66 X 4,75 ZN		01	01	01
50	0501060190	TRACTOR HITCH		01	01	01
51	0503033404	CIVEMASA BADGE		01	01	01
52	0503033644	GDL EMBLEM		01	01	01
53	0503033404	CIVEMASA BADGE		01	01	01
54	0503031428	READ MANUAL DECAL		01	01	01
55	0511019920	SLEEVE 32,70 X 38,80 X 25,40		01	01	01
56	0909090153	REAR DISKS SECTION	9	01	01	01
57	0909090235	FRONT DISK SECTION	10	01	01	01

**DRAWBAR ASSY**

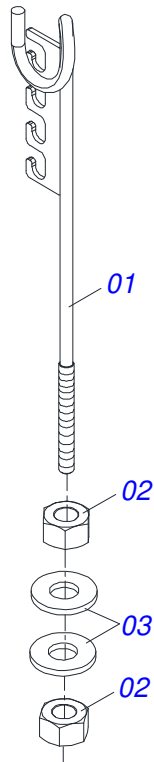


Item	Code	Description	See page	QT
001	0501065004	OFFSET BAR		01
002	0501060670	DRAWBAR ASSY		01
003	0503011084	3/4" X 5" BOLT		02
004	0503011442	3/4" SPRING WASHER		02
005	0503010014	3/4" NUT		02
006	0521061775	TRACTOR HITCH		01
007	0501010060	1" X 6-1/2" BOLT		01
008	0503011438	SPRING WASHER		01
009	0501010059	1.5/8 NUT		01

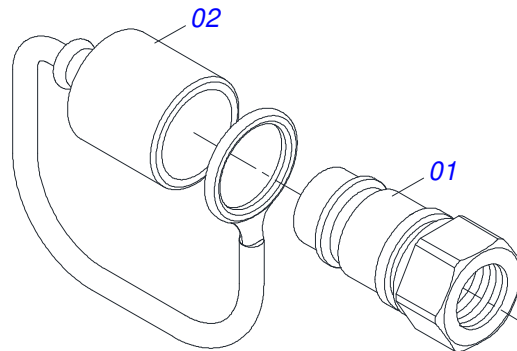




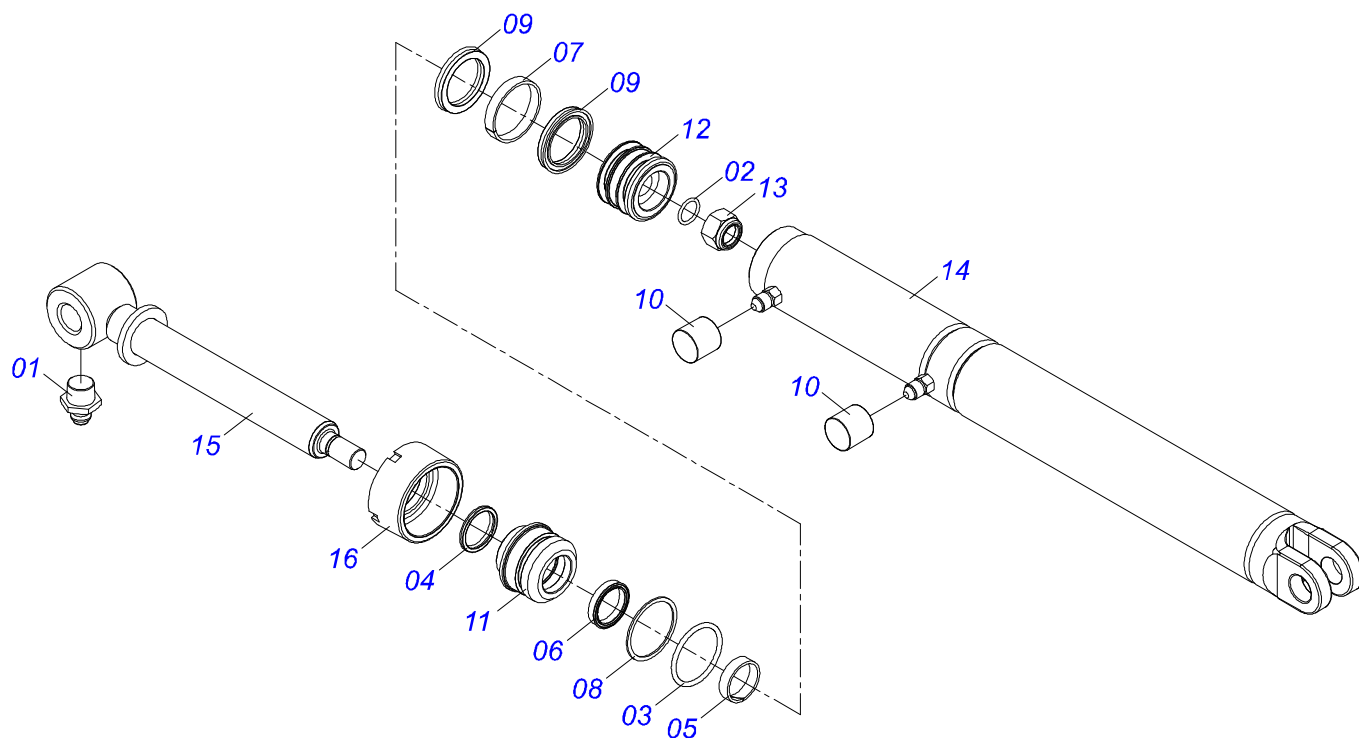
Item	Code	Description	See page	QT
01	0501063302	ADJUSTMENT		01
02	0501063078	ADJUSTMENT LOCK		01
03	0521010624	0.4" X 1.5" COUPLING SHAFT		01
04	0501068981	ADJUSTMENT LEVER		01
05	0503030025	1.4" X 0.2" TORSION SPRING		01
06	0503010071	3/16" X 1" COTTERPIN		02
07	0501012916	FLAT WASHER 38,50 X 66 X 4,75 ZN		01
08	0503010073	3/8 X 3-1/2 COTTERPIN		01



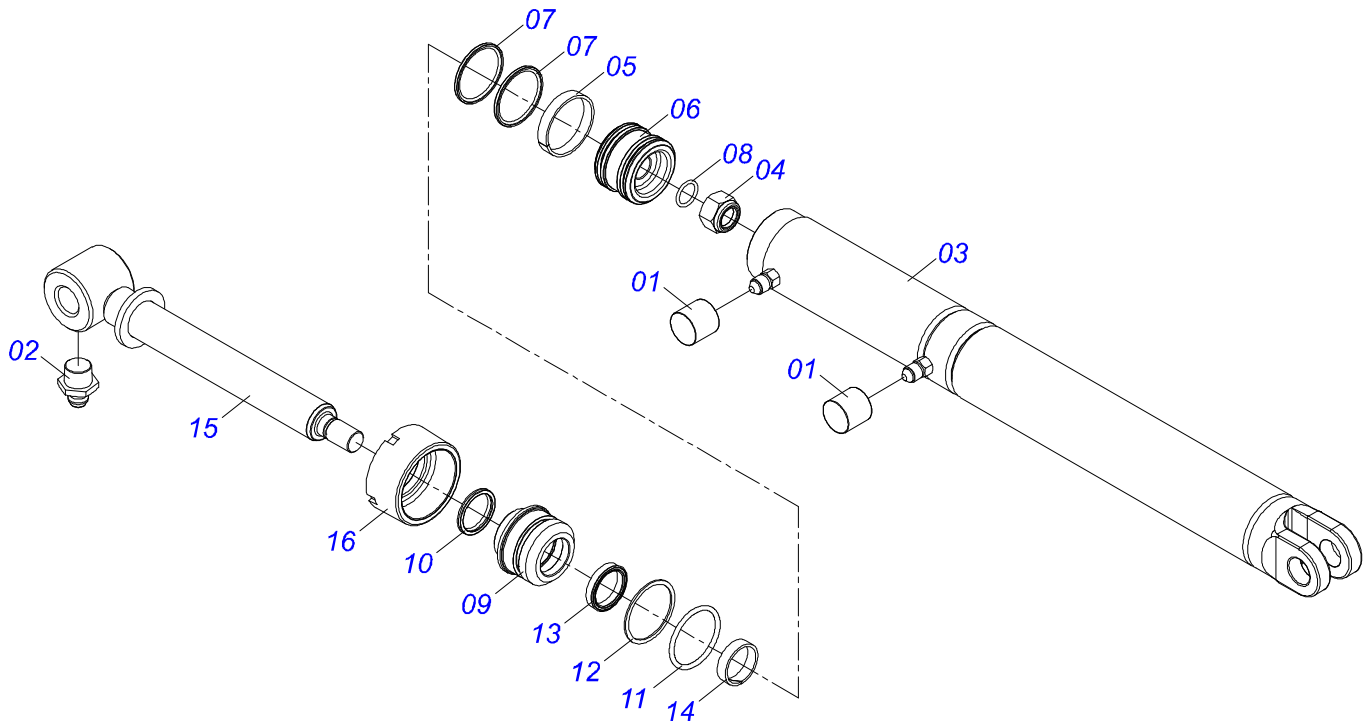
Item	Code	Description	See page	QT
01	0511067334	HOSE SUPPORT		01
02	0503010014	3/4" NUT		02
03	0501010322	FLAT WASHER		02



Item	Code	Description	See page	QT
01	0503011627	MALE QUICK COUPLER AGR 1/2 NPT		01
02	0503011882	MALE QUICK COUPLER CAP		01

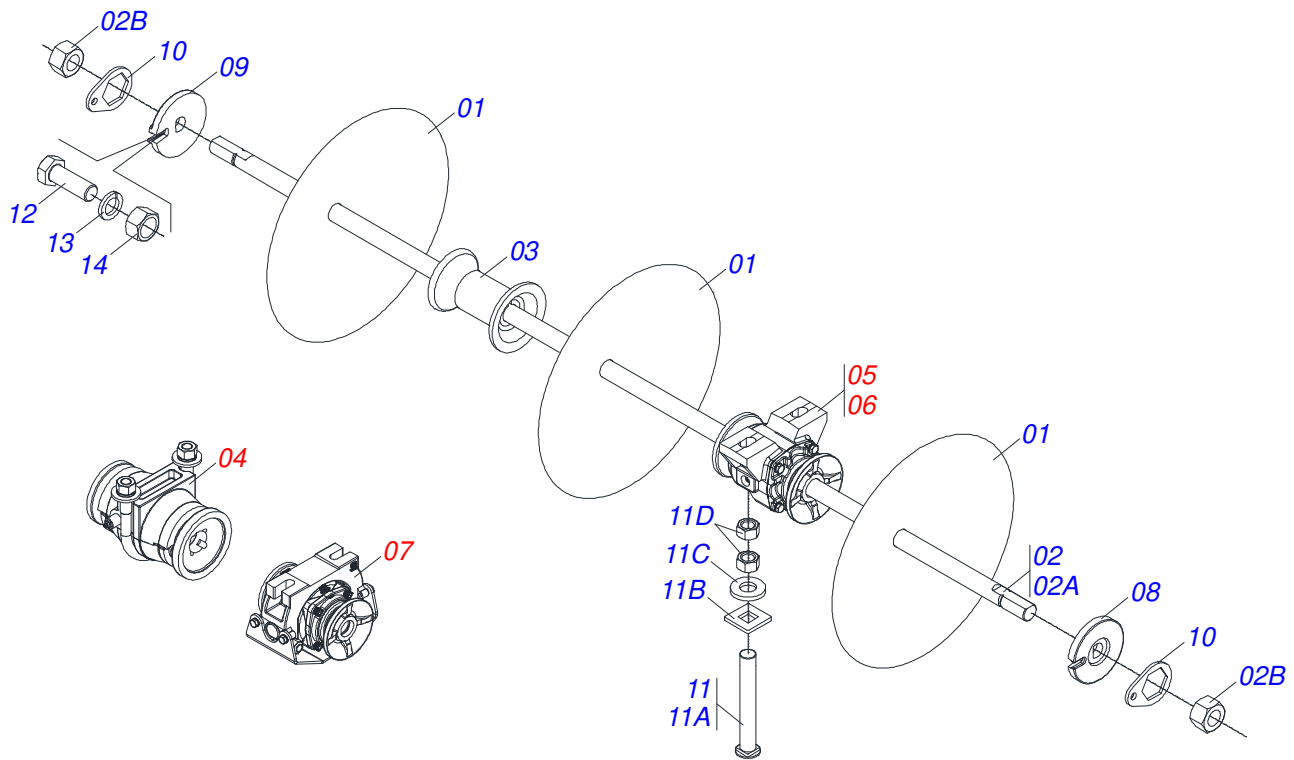


Item	Code	Description	See page	QT
01	0503010002	1800 GREASE FITTING		01
02	0503010042	2-214 N 3006-9B O'RING		01
03	0503010343	2-334 N 3006-9B O'RING		01
04	0503010761	D-1750 SCRAPER RING		01
05	0503010949	W2-2000-500 PK RING G.E		01
06	0503010990	GASKET		01
07	0503010992	W2-3000-500 PK RING G.E		01
08	0503011059	8-334 BACK-UP RING		01
09	0503012768	3750-2250 GASKET		02
10	0503030385	CYLINDER PLUG N-002		02
11	0502011897	RING SUPPORT		01
12	0502011898	1.8" X 3.0" PISTON		01
13	0503010063	1" SELF-ALIGNING NUT		01
14	0521065231	CYLINDER CASE		01
15	0521065230	TURNBUCLE		01
16	0502011899	MOBILE COVER		01



Item	Code	Description	See page	QT
001	0503030385	CYLINDER PLUG N-002		02
002	0503010002	1800 GREASE FITTING		01
003	0521065231	CYLINDER CASE		01
004	0503010063	1" SELF-ALIGNING NUT		01
005	0503018140	RING GUIDE		01
006	0581010304	PISTON		01
007	0503018138	RING BS		02
008	0503010042	2-214 N 3006-9B O'RING		01
009	0581010301	RING SUPPORT		01
010	0503010761	D-1750 SCRAPER RING		01
011	0503010343	2-334 N 3006-9B O'RING		02
012	0503011059	8-334 BACK-UP RING		02
013	0503017937	GASKET		01
014	0503017938	RING GUIDE		01
015	0521065230	TURNBUCLE		01
016	0502011899	MOBILE COVER		01

**REAR DISKS SECTION**



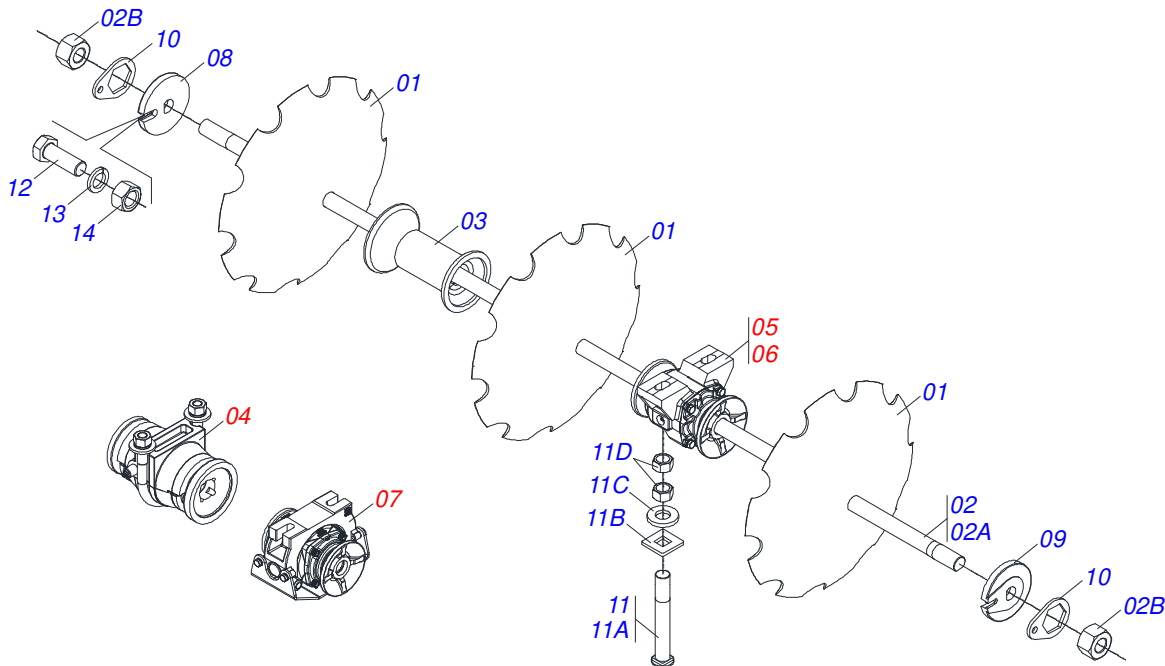
Item	Code	Description	See page	20	24	28	32	36	42
01	0601025115	DL18X3 C44AF02FR33,33 EZZE-ON		08	10	12	14	16	19
01.	0601023131	DL16X3 C35AF02FR1.5/16 TATU		02	02	02	02	02	02
01..	0601029418	DL 22 X 3,5 C64AF02FR1.5/16 D126		08	10	12	14	16	19
01...	0601027301	DL 20 X 3,5 C57AF02FR1.5/16		02	02	02	02	02	02
01....	0601027305	DL20X4 C57AF02FR1.5/16		08	10	12	14	16	19
01.....	0601027304	DL 20 X 4,5 C57AF02FR1.5/16		08	10	12	14	16	19
01.....	0601025251	DL 18 X 3,5 C45AF02FR1.5/16		08	10	12	14	16	19
01.....	0601029417	DL 22 X 4,5 C64AF02FR1.5/16		08	10	12	14	16	19
02	0501040694	1-1/4" X 66" AXLE WITH NUTS		01	00	00	00	00	00
02.	0501040253	1-1/4" X 80" AXLE WITH NUTS		00	01	00	00	00	01
02..	0501041160	1-1/4" X 93.5" AXLE WITH NUTS		00	00	01	00	00	00
02...	0501040695	1-1/4" X 52" AXLE WITH NUTS		00	00	00	02	00	00
02....	0501040696	1-1/4" X 59" AXLE WITH NUTS		00	00	00	00	02	01
02A	0501010439	1-1/4" X 66" AXLE		01	00	00	00	00	00
02A.	0501010440	1-1/4" X 80" AXLE		00	01	00	00	00	00
02A..	0501012749	1-1/4" X 93.5" AXLE		00	00	01	00	00	00
02A...	0501010437	1-1/4" X 52" AXLE		00	00	00	01	00	00
02A....	0501010438	1-1/4" X 59" AXLE		00	00	00	00	02	02
02B	0501010087	1.1/4" NUT		02	02	02	04	04	04
03	0502020068	6.57" SPACER		07	08	10	10	12	14
04	0501040130	FRICITION BEARING	11	02	03	03	04	04	05
05	0501046911	CM GX 7" 1-1/4" PR BEARING ASSY	13	02	03	03	04	04	05
06	0501046920	1-1/4" BATH BEARING	12	02	03	03	04	04	05
07	0521047188	AGRICULTURAL BEARING DMO 182 X 1.1/4 WITH SUPPORT WITH PROTECTION	14	02	03	03	04	04	05
08	0502010834	1-1/4" INNER AXLE WASHER		01	01	01	02	02	02
09	0502010835	1-1/4" EXTERNAL AXLE WASHER		01	01	01	02	02	02
10	0501010455	1.1/4" NUT LOCK		02	02	02	04	04	04
11	0501058802	5/8 UNC X 2.3/4 BOLT ASSY		04	06	06	08	08	10
11A	0503015154	5/8" X 2.3/4" BOLT		04	06	06	08	08	10
11B	0501010947	5/8 NUT LOCK		04	06	06	08	08	10
11C	0501012140	FLAT WASHER		04	06	06	08	08	10

**REAR DISKS SECTION**

0909090153

<b>Item</b>	<b>Code</b>	<b>Description</b>	<b>See page</b>	<b>20</b>	<b>24</b>	<b>28</b>	<b>32</b>	<b>36</b>	<b>42</b>
11D	0503010013	5/8" NUT		08	12	12	16	16	20
12	0503010395	1/2" X 1-1/4" BOLT		02	02	02	04	04	04
13	0503010019	1/2" SPRING WASHER		02	02	02	04	04	04
14	0503010060	1/2" NUT		02	02	02	04	04	04

**FRONT DISK SECTION**



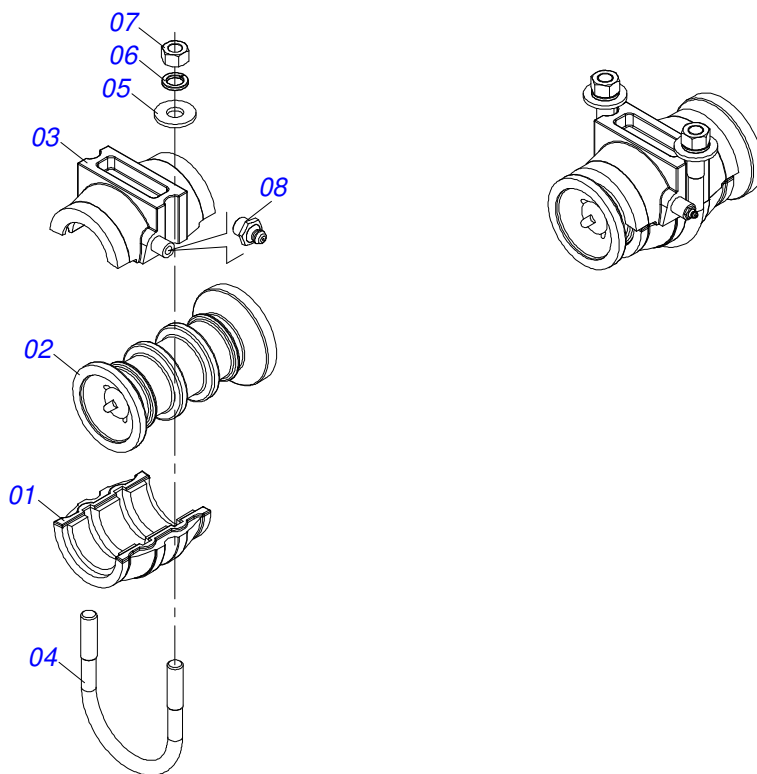
Item	Code	Description	See page	20	24	28	32	36	42
01	0602025002	18" X 0.2" NOTCHED DISC BLADE		10	12	14	16	18	21
01.	0602027002	20" X 0.2" NOTCHED DISC BLADE		10	12	14	16	18	21
01..	0602029384	22" X 3.5MM NOTCHED DISC BLADE		10	12	14	16	18	21
01...	0602029417	DR22X4 C64AF02FR1.5/16 10REC		10	12	14	16	18	21
01....	0602027354	DR20X4		10	12	14	16	18	21
01.....	0602027342	DR 20 X 4,5 C57AF02FR1.5/16 10R		10	12	14	16	18	21
01.....	0602029421	DR 22 X 4,5 C64AF02FR1.5/16 10R		10	12	14	16	18	21
01.....	0602027340	DR 20 X 3,5 C57AF02FR1.5/16 10R		20	24	28	32	36	42
01.....	0602025259	DR 18 X 3 C45AF02FR1.5/16 9R		20	24	28	32	36	42
02	0501040694	1-1/4" X 66" AXLE WITH NUTS		01	00	00	00	00	00
02.	0501040253	1-1/4" X 80" AXLE WITH NUTS		00	01	00	00	00	01
02..	0501041160	1-1/4" X 93.5" AXLE WITH NUTS		00	00	01	00	00	00
02...	0501040695	1-1/4" X 52" AXLE WITH NUTS		00	00	00	02	00	00
02....	0501040696	1-1/4" X 59" AXLE WITH NUTS		00	00	00	00	02	01
02A	0501010439	1-1/4" X 66" AXLE		01	00	00	00	00	00
02A.	0501010440	1-1/4" X 80" AXLE		00	01	00	00	00	00
02A..	0501012749	1-1/4" X 93.5" AXLE		00	00	01	00	00	00
02A...	0501010437	1-1/4" X 52" AXLE		00	00	00	01	00	00
02A....	0501010438	1-1/4" X 59" AXLE		00	00	00	00	02	01
02B	0501010087	1.1/4" NUT		02	02	02	04	04	04
03	0502020068	6.57" SPACER		07	08	10	10	12	14
04	0501040130	FRICITION BEARING	11	02	03	03	04	04	05
05	0501046920	1-1/4"BATH BEARING	12	02	03	03	04	04	05
06	0501046911	CM GX 7" 1-1/4" PR BEARING ASSY	13	02	03	03	04	04	05
07	0521047188	AGRICULTURAL BEARING DMO 182 X 1.1/4 WITH SUPPORT WITH PROTECTION	14	02	03	03	04	04	05
08	0502010834	1-1/4" INNER AXLE WASHER		01	01	01	02	02	02
09	0502010835	1-1/4" EXTERNAL AXLE WASHER		01	01	01	02	02	02
10	0501010455	1.1/4" NUT LOCK		02	02	02	04	04	04
11	0501058802	5/8 UNC X 2.3/4 BOLT ASSY		04	06	06	08	08	10
11A	0503015154	5/8" X 2.3/4" BOLT		04	06	06	08	08	10
11B	0501010947	5/8 NUT LOCK		04	06	06	08	08	10



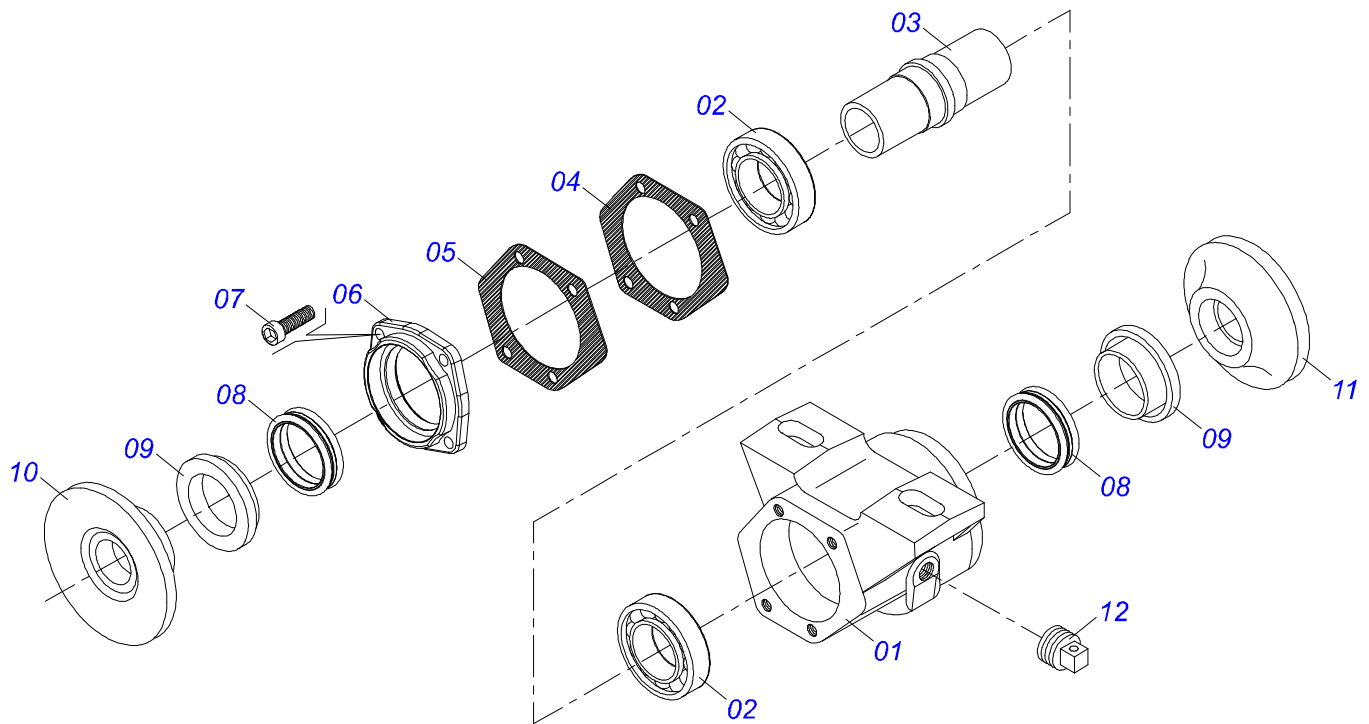
**FRONT DISK SECTION**

0909090235

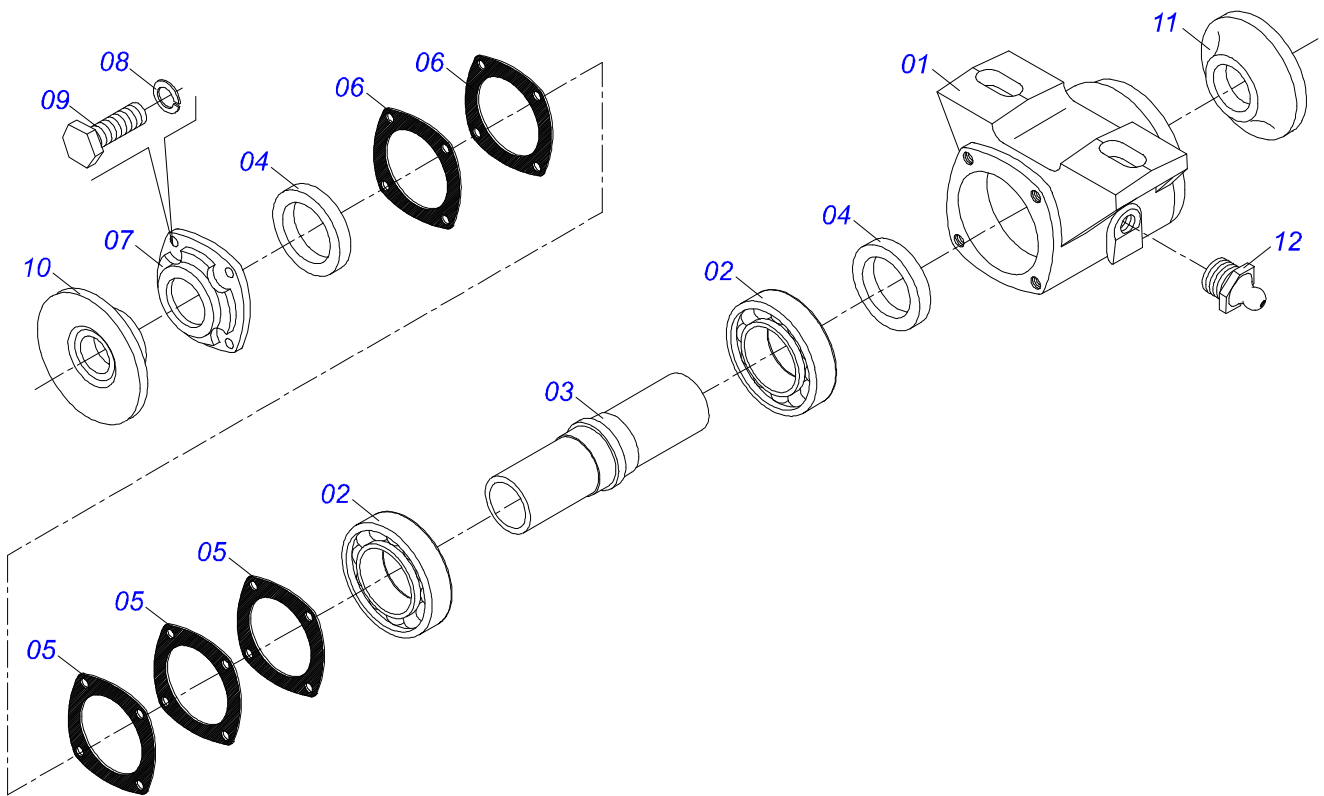
<b>Item</b>	<b>Code</b>	<b>Description</b>	<b>See page</b>	<b>20</b>	<b>24</b>	<b>28</b>	<b>32</b>	<b>36</b>	<b>42</b>
11C	0501012140	FLAT WASHER		04	06	06	08	08	10
11D	0503010013	5/8" NUT		08	12	12	16	16	20
12	0503010395	1/2" X 1-1/4" BOLT		02	02	02	04	04	04
13	0503010019	1/2" SPRING WASHER		02	02	02	04	04	04
14	0503010060	1/2" NUT		02	02	02	04	04	04



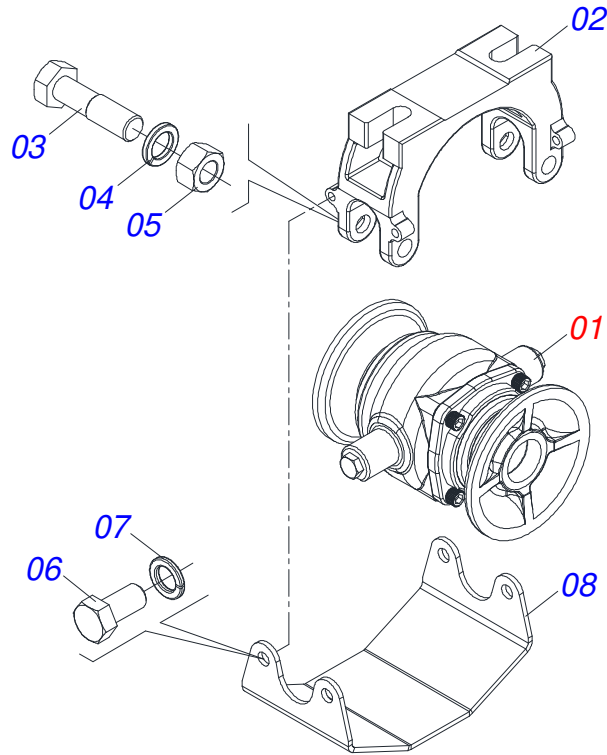
Item	Code	Description	See page	QT
01	0502030006	LOWER COVER HOUSING		01
02	0502030007	REEL		01
03	0502030004	UPPER COVER HOUSING		01
04	0521012326	5/8 UNC X 138 X 117 FASTENER		01
05	0501012140	FLAT WASHER		02
06	0503010027	5/8" SPRING WASHER		02
07	0503010013	5/8" NUT		02
08	0503010002	1800 GREASE FITTING		01



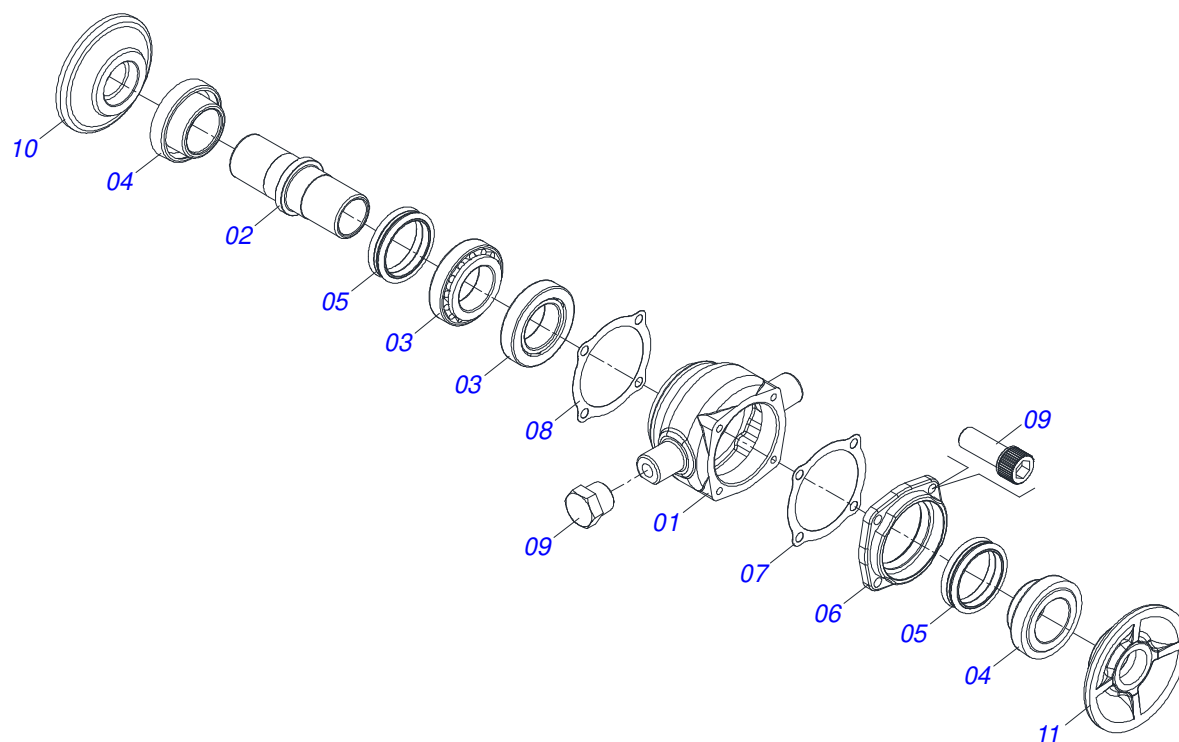
Item	Code	Description	See page	QT
01	0502010540	HOUSING DM		01
02	0503010111	30210 ROLLER BEARING		02
03	0502040218	AXLE		01
04	0503030013	4.4" X 3.5" X 0.004" JOINT		02
05	0503030684	4.4" X 3.5" X 0.004" JOINT		01
06	0502020424	HOUSING CAP		01
07	0503010134	3/8" X 1" BOLT		04
08	0503030026	SEAL LP JB-253		02
09	0502010541	SEAL RETAINER		02
10	0502010073	OUTER FLANGE		01
11	0502010074	INNER FLANGE		01
12	0503010856	OIL PLUG		01



Item	Code	Description	See page	QT
01	0502020313	HOUSING CM		01
02	0503010111	30210 ROLLER BEARING		02
03	0502040218	AXLE		01
04	0503010468	SEAL 01199-GB		02
05	0503030013	4.4" X 3.5" X 0.004" JOINT		03
06	0503030684	4.4" X 3.5" X 0.004" JOINT		02
07	0502020273	HOUSING CAP CM		01
08	0503010025	3/8" SPRING WASHER		04
09	0503010237	3/8" X 1" BOLT		04
10	0502010073	OUTER FLANGE		01
11	0502010074	INNER FLANGE		01
12	0503010002	1800 GREASE FITTING		02



Item	Code	Description	See page	QT
01	0521050841	AGRICULTURAL BEARING DMO 182 X 1.1/4 IMPORTED	15	01
02	0502012854	BEARING SUPPORT		01
03	0501011541	5/8" X 3" BOLT		02
04	0503010027	5/8" SPRING WASHER		02
05	0503010013	5/8" NUT		02
06	0503011334	BOLT 3/8 UNC X 3/4 CS G.5 ZN		04
07	0503010025	3/8" SPRING WASHER		04
08	0581014143	SWIVEL OIL BATH BEARING WEAR PLATE		01



Item	Code	Description	See page	QT
01	0502012839	BEARING HOUSING		01
02	0502040060	AXLE CM/DM 182/192,5 SKF 32210		01
03	0503010006	32210 ROLLER BEARING		02
04	0502010541	SEAL RETAINER		02
05	0503030026	SEAL LP JB-253		02
06	0502020424	HOUSING CAP		01
07	0503030013	4.4" X 3.5" X 0.004" JOINT		02
08	0503030684	4.4" X 3.5" X 0.004" JOINT		01
09	0503010134	3/8" X 1" BOLT		04
10	0502010073	OUTER FLANGE		01
11	0502010074	INNER FLANGE		01
12	3402301275	TATU OIL		0,13LT





***civemasa***

**Technical Publications | Elaboration and Revision**

ALESSANDRA PATRICIA KAWAHARA CARRILI

[www.civemasa.com.br](http://www.civemasa.com.br)

