

PARTS CATALOGUE

LIME AND FERTILIZER SPREADER

DFSC 2.5 MC

Code: 0501091575



Series: S-0114

Review: FEVEREIRO/2016

**ORIGINAL PARTS
CIVEMASA**

civemasa

PRODUCTS

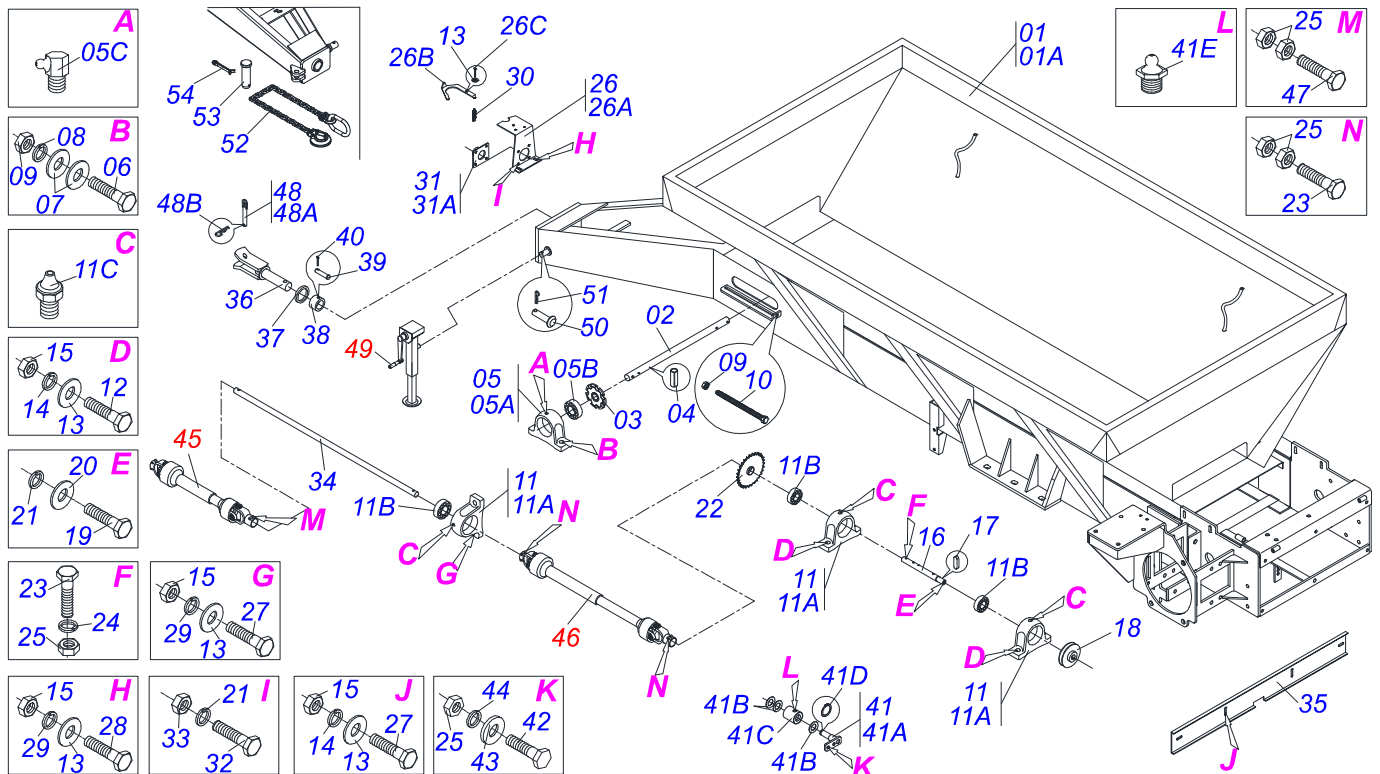
Code	Description
0120430011	DFSC 2.5 MC

ATTENTION: *IMPORTANT*

CIVEMASA RESERVES THE RIGHT AT ANY TIME TO MAKE IMPROVEMENTS IN THE DESIGN, MATERIAL OR SPECIFICATIONS OF MACHINERY, EQUIPMENT OR PARTS WITHOUT THEREBY BECOMING LIABLE TO MAKE SIMILAR CHANGES IN MACHINERY, EQUIPMENT OR PARTS PREVIOUSLY SOLD.

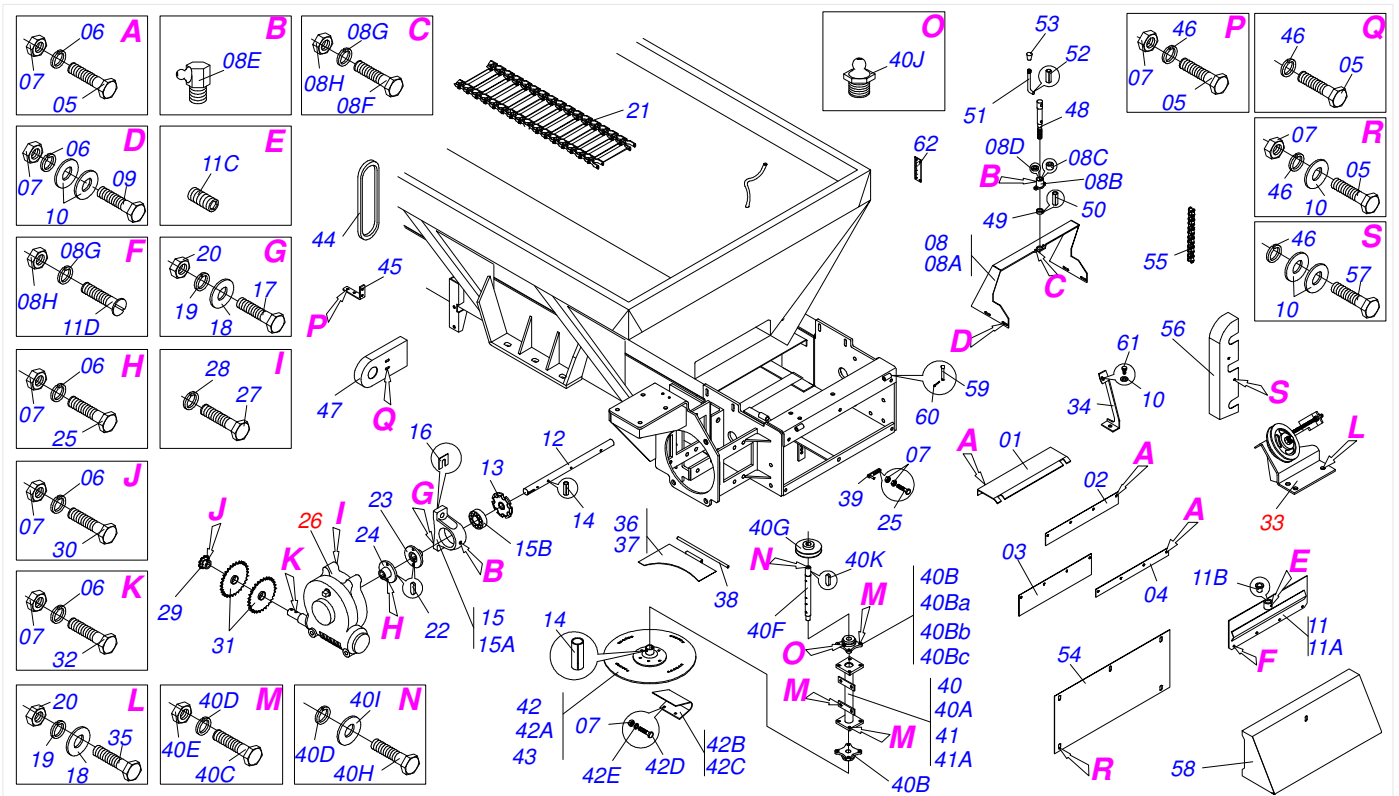
INDEX

0909090871	DFSC 2500 MC (FRONT)	1
0909093404	DCA2 2500 MC (BACK)	2
0501047985	REDUCER	3
0909090354	BELT TENSIONER	4
0501048241	DRIVE SHAFT	5
0501048409	DRIVE SHAFT	6
0511041259	DRAWBAR JACK ASSY	7
0909093412	WHEELS ASSY	8
0909093413	KIT WITH BRAKE	9
0909093414	SET SÚPER REDUCCIÓN	10



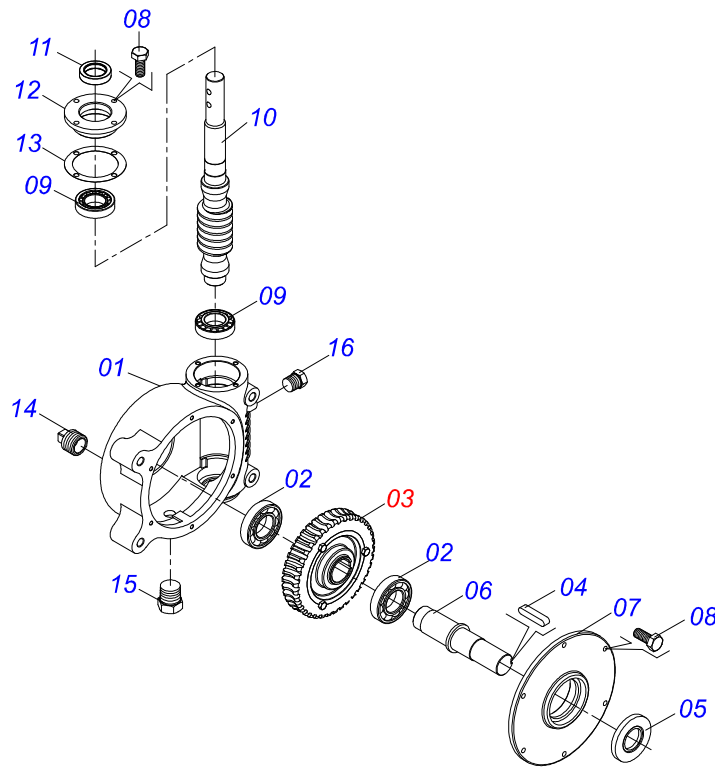
Item	Code	Description	QT
01	0521063301	FRAME	01
01A	0501069224	DCA2 2500 MC S-0598 BUCKET	01
02	0511016482	DRIVEN AXLE	01
03	0502040728	7Z GEAR	02
04	0503010361	SPRING PIN	02
05	0501044308	AGRICULTURAL BEARING ASSY	02
05A	0502011050	AGRICULTURAL HOUSING BEARING	04
05B	0503011163	1108/UCR BEARING ASSY	04
05C	0503010004	1890 GREASE FITTING	05
06	0503010899	5/8" X 2-1/4" BOLT	04
07	0501012140	FLAT WASHER	08
08	0503011445	SPRING WASHER	04
09	0503010013	5/8" NUT	06
10	0501067853	ROD STABILIZER	02
11	0511041213	AGRICULTURAL BEARING	03
11A	0502011954	AGRICULTURAL HOUSING BEARING	03
11B	0503011884	BALL BEARING	03
11C	0503010691	1/4" GREASE FITTING	03
12	0503010740	1/2" X 2" BOLT	06
13	0511017302	FLAT WASHER	11
14	0503011440	SPRING WASHER	06
15	0503010060	1/2" NUT	10
16	0521011063	TRANSMISSION AXLE	01
17	0501010536	KEYWAY SQUARE	01
18	0502011361	REEL 1C 5.5" X 1.1" PULLEY	01
19	0503010355	7/16" X 1" BOLT	01
20	0511014052	FLAT WASHER	01
21	0503011446	SPRING WASHER	09
22	0501069020	35Z GEAR	01
23	0503011268	3/8" X 2-1/2" BOLT	03
24	0503011443	SPRING WASHER	01
25	0503010026	3/8" NUT	09
26	0501056885	CARDAN LEVER SUPPORT	01

Item	Code	Description	QT
26A	0501066588	CARDAN LARGE SUPPORT	01
26B	0511014066	CARDAN SMALLE SUPPORT	01
26C	0503010257	1/8" X 1" COTTERPIN	01
27	0503010920	1/2" X 1.1/2" BOLT	04
28	0503011082	C1/2" X 1.3/4" BOLT	02
29	0503010019	1/2" SPRING WASHER	04
30	0503030198	0.6" X 2.4" X 0.1" EXTENSION SPRING	01
31	0501044306	BATH BEARING	01
31A	0503011146	HOUSING BEARING	01
32	0503011102	PARAFUSO 7/16 UNC X 1.1/4 C S G.5	04
33	0503010244	7/16" NUT	04
34	0521012443	TRANSMISSION AXLE	01
35	0501019838	BAMPER	01
36	0501069166	TRACTOR HITCH	01
37	0521015342	WASHER SPACER	01
38	0521010681	BUSHING COUPLING BODY	01
39	0521010639	COUPLING SHAFT	01
40	0503010571	1/4" X 1.1/2 COTTERPIN	01
41	0501050829	CHAIN TENSIONER	01
41A	0501067692	BELT TENSIONER BODY	01
41B	0511015098	FLAT WASHER	03
41C	0511017041	TENSIONER ROLD	01
41D	0503010302	501019 SEAL RING	01
41E	0503010002	1800 GREASE FITTING	01
42	0503010237	3/8" X 1" BOLT	22
43	0501010984	FLAT WASHER	20
44	0503010025	3/8 SPRING WASHER	49
45	0501048241	DRIVE SHAFT	01
46	0501048409	DRIVE SHAFT	01
47	0503010765	3/8" X 3" BOLT	01
48	0501047881	COUPLING SHAFT	01
48A	0501068989	COUPLING SHAFT	01
48B	0503031035	HAIR PIN	01
49	0511041259	DRAWBAR JACK ASSY	01
50	0521010549	COUPLING SHAFT	01
51	0503030168	HAIR PIN	01
52	0503013150	1300 X 3/8 CHAIN	01
53	0581011220	COUPLING SHAFT	01
54	0503010131	3/16" X 1-1/2" COTTERPIN	01

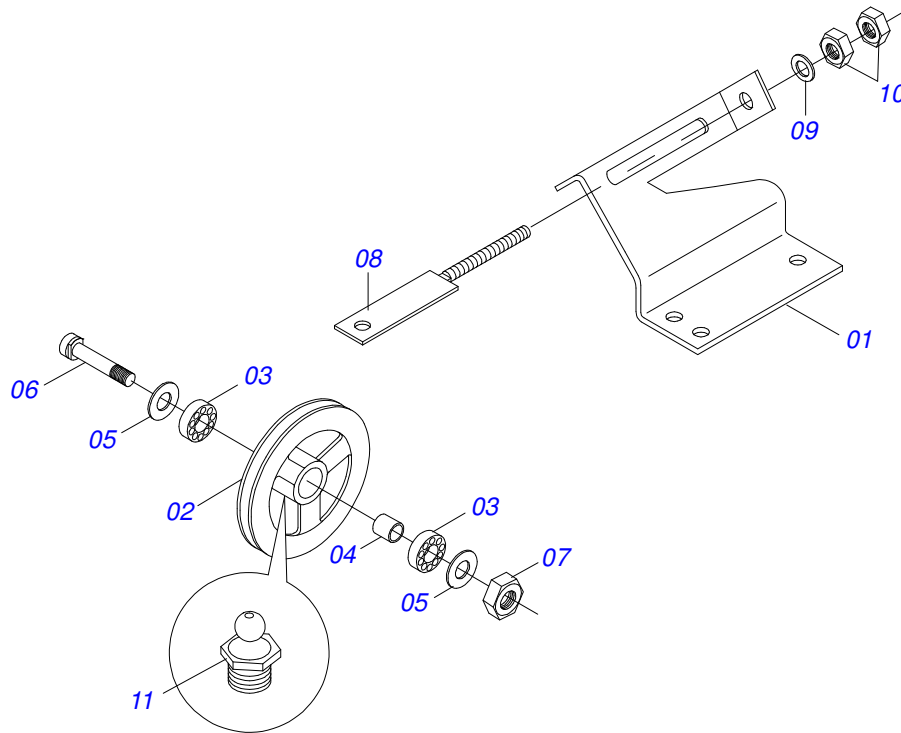


Item	Code	Description	QT
01	0501067379	MAT REAR PROTECTION	01
02	0511014562	PROTECTION SMALLER	02
03	0511011866	PROTECTION LARGER	01
04	0511016575	RUBBER COVER FIXER	03
05	0503010237	3/8" X 1" BOLT	20
06	0503011443	SPRING WASHER	35
07	0503010026	3/8" NUT	58
08	0501054846	SLUICE VALVE SUPPORT	01
08A	0501069841	SLUICE VALVE SUPPORT	01
08B	0502010581	ROD BEARING	01
08C	0521010457	SLEEVE	01
08D	0521010458	SLEEVE	01
08E	0503010004	1890 GREASE FITTING	03
08F	0503010358	5/16" X 5/8" BOLT	02
08G	0503011444	SPRING WASHER	06
08H	0503010337	5/16" NUT	06
09	0503010751	C3/8" X 1.1/4" HEX BOLT G.5	04
10	0501010984	FLAT WASHER	15
11	0501054847	SLUICE VALVE COVER ASSY	01
11A	0501069181	SLUICE VALVE COVER	01
11B	0501019831	ADJUSTING NUT	01
11C	0503011148	3/8" X 1/2" BOLT	01
11D	0503010546	5/16" X 7/8" BOLT	04
12	0511016481	MOTOR SHAFT	01
13	0502040728	7Z GEAR	04
14	0503010361	SPRING PIN	06
15	0501044308	AGRICULTURAL BEARING ASSY	02
15A	0502011050	AGRICULTURAL HOUSING BEARING	02
15B	0503011163	1108/UCR BEARING ASSY	02
16	0501010794	HIDR CHOCK REGULATOR	04
17	0503010740	1/2" X 2" BOLT	04
18	0511017302	FLAT WASHER	11
19	0503011440	SPRING WASHER	11

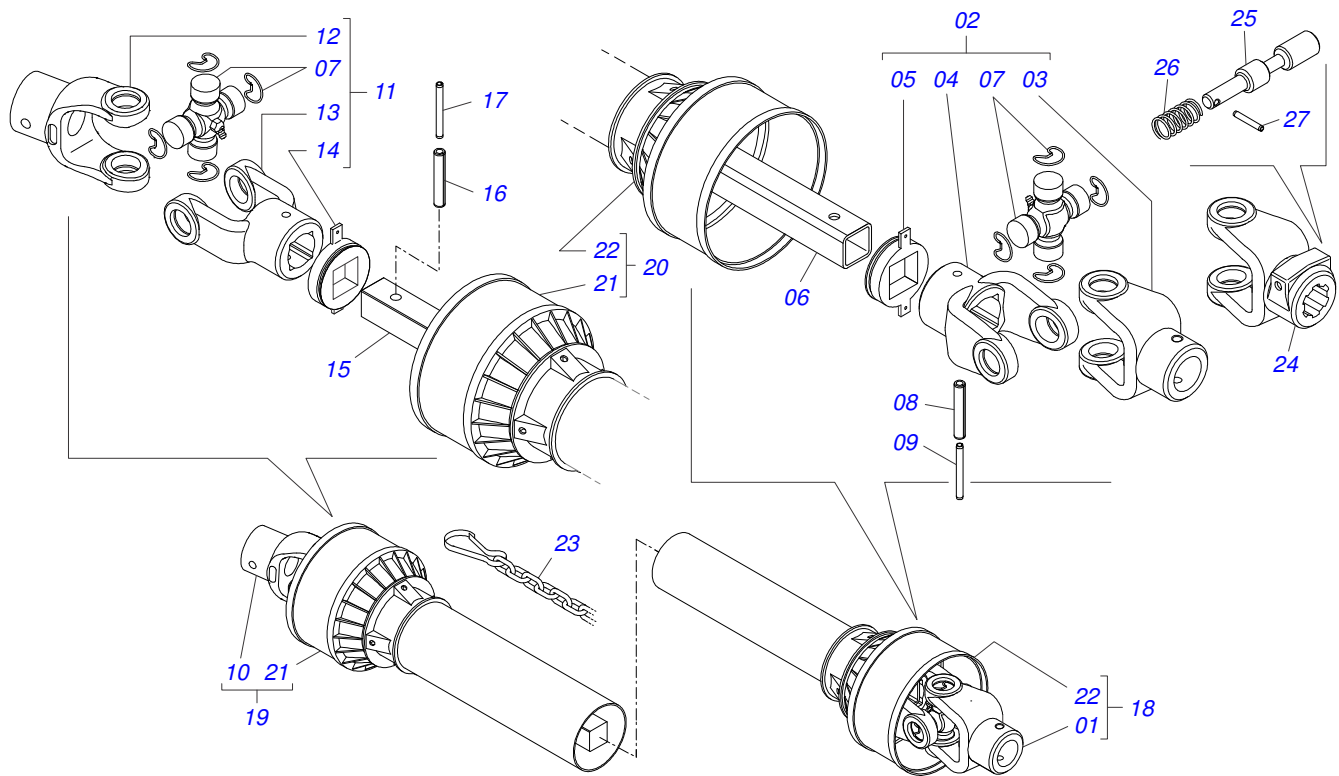
Item	Code	Description	QT
20	0503010060	1/2" NUT	11
21	0501069582	DRIVE THE FERTILIZER TRANSPORT	01
22	0501010540	KEYWAY SQUARE	02
23	0511016540	MAT COUPLING FLANGE	01
24	0511016541	REDUCTION COUPLING FLANGE	01
25	0503010849	3/8" X 1-1/2" BOLT	03
26	0501047985	REDUCER	01
27	0503011167	M16 X 2 X 30 BOLT	04
28	0503011445	SPRING WASHER	04
29	0501069017	12Z GEAR	01
30	0503011268	3/8" X 2-1/2" BOLT	06
31	0501069020	35Z GEAR	02
32	0503011141	3/8" X 2-3/4" BOLT	01
33	0501046802	BELT TENSIONER ASSY	01
34	0511060909	PROTECTION REAR SUPPORT FIXER	01
35	0503010920	1/2" X 1.1/2" BOLT	03
36	0501067203	RIGHT FLOW DIVIDING	01
37	0501067361	LEFT FLOW DIVIDING	01
38	0511016530	TENSIONER OPEN	01
39	0501067368	DIVISOR REGULATOR OPEN	01
40	0501051782	RIGHT BEARING SUPPORT DISC	01
40A	0501067387	DISTRIBUTOR RIGHT SUPPORT DISC	01
40B	0501048000	AGRICULTURAL BEARING	04
40Ba	0502011442	AGRICULTURAL HOUSING BEARING	04
40Bb	0503010276	6206 BALL BEARING	04
40Bc	0503011865	SEAL	04
40C	0503011102	PARAFUSO 7/16 UNC X 1.1/4 C S G.5	24
40D	0503011446	SPRING WASHER	24
40E	0503010244	7/16" NUT	24
40F	0511016489	DISTRIBUTOR AXLE CONDUCTOR DISC	02
40G	0502011361	REEL 1C 5.5" X 1.1" PULLEY	02
40H	0503010355	7/16" X 1" BOLT	01
40I	0511014052	FLAT WASHER	03
40J	0503010002	1800 GREASE FITTING	11
40K	0501010536	KEYWAY SQUARE	01
41	0501051783	LEFT BEARING SUPPORT DISC	01
41A	0501067388	DISTRIBUTOR LEFT SUPPORT DISC	01
42	0501051972	DISTRIBUTOR RIGHT DISC ASSY	01
42A	0501069605	DISTRIBUTOR DISC	01
42B	0521018637	RH FLIP	04
42C	0503013029	3/8" X 3/4" BOLT	16
43	0501051973	DISTRIBUTOR LEFT DISC ASSY	01
43A	0521018638	LH FLIP	04
44	0503010154	C-128 BELT	01
45	0501069225	BELT PROTECTION FIXER	01
46	0503010025	3/8 SPRING WASHER	14
47	0521011062	BELT PROTECTION SIDE	01
48	0561014861	REGULATOR	01
49	0511013015	SLEEVE	01
50	0503010561	SPRING PIN	01
51	0521011107	CRANK BODY	01
52	0503010838	0.1" X 0.8" SPRING PIN	01
53	0503030878	LEVER CRANK	01
54	0501019460	REAR PROTECTION	01
55	0503013003	50-1 CHAIN X 79 LINK + REDUCTION + MENDING	01
56	0501069179	CARRY-WHEEL CHAIN PROTECTION CAP	01
57	0503010256	3/8" X 3/4" BOLT	02
58	0501069840	REAR COVER PROTECTION	01
59	0501017574	0.3" X 2.7" AXLE	02
60	0503010140	1/8" X 3/4" COTTERPIN	02
61	0503010386	CABLE	02
62	0503030751	REGULATOR PLATE	01



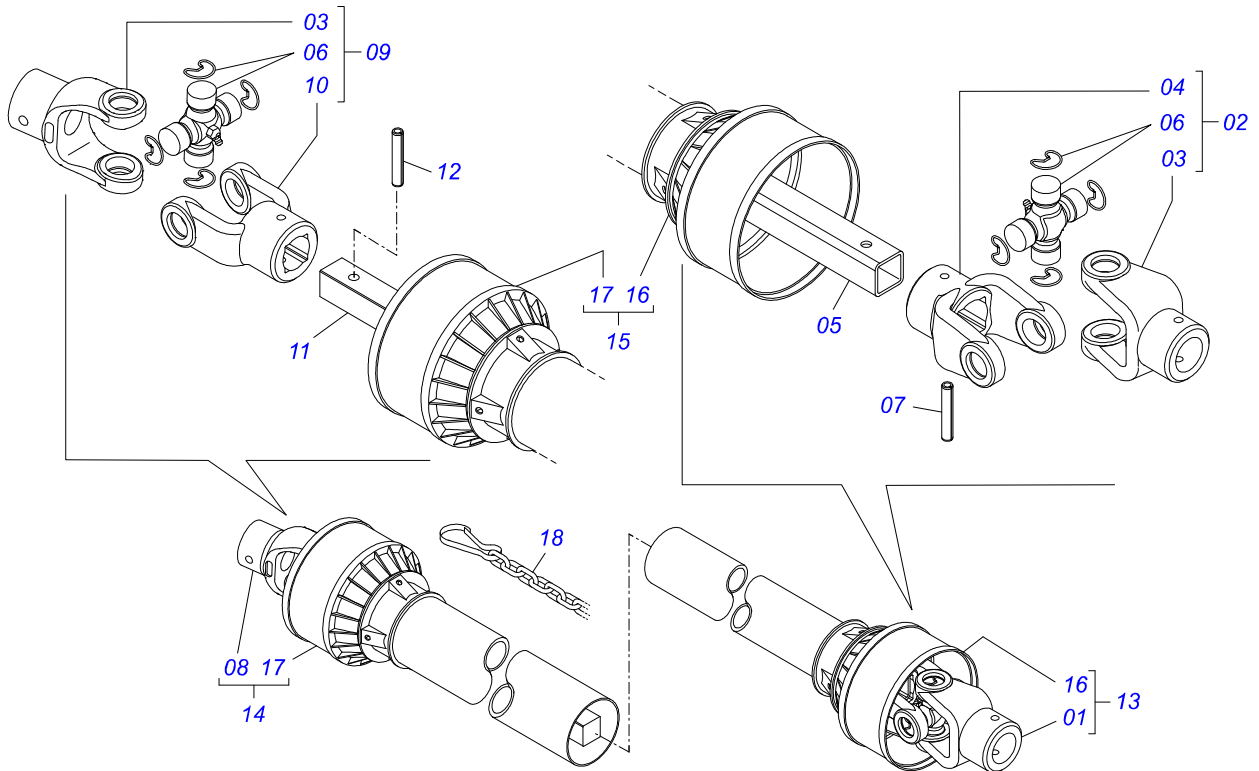
Item	Code	Description	QT
01	0502011456	REDUCTION BOX	01
02	0503011095	6208 BALL BEARING	02
03	0501051774	38Z CONICAL	01
04	0503011304	1/2" X 2.4" KEYWAY SQUARE	01
05	0503010818	02675-BRG SEAL	01
06	0521010996	AXLE	01
07	0502020556	LARGER COVER	01
08	0503010240	5/16" X 3/4" BOLT	10
09	0503010016	BEARING LM	02
10	0521010997	SCREW THEAD	01
11	0503011171	00912-BRG SEAL	01
12	0502011457	SMALLER COVER	01
13	0503030981	102 X 75,5 X 0,10 JOINT	01
14	0521011023	PLUG	01
15	0503031604	1/2" BSP PLUG	01
16	0503010856	OIL PLUG	01



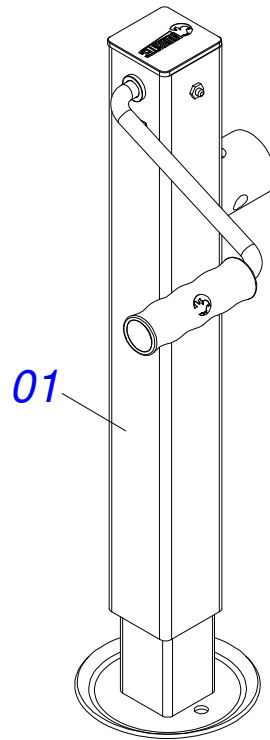
Item	Code	Description	QT
00	0501046802	BELT TENSIONER ASSY	01
01	0501066100	SUPPORT	01
02	0502011366	REEL 1C 8.3" X 1.6" PULLEY	01
03	0503010690	6204 BALL BEARING	02
04	0521010497	0.8" X 1.1" X 1.1" SPACER	01
05	0501019288	WASHER SPACER	02
06	0511012362	TIGHTENER AXLE PULLEY	01
07	0503010014	3/4" NUT	01
08	0501065968	1C X 8.3 PULLEY TENSIONER	01
09	0501012140	FLAT WASHER	01
10	0503010013	5/8" NUT	02
11	0503010002	1800 GREASE FITTING	01



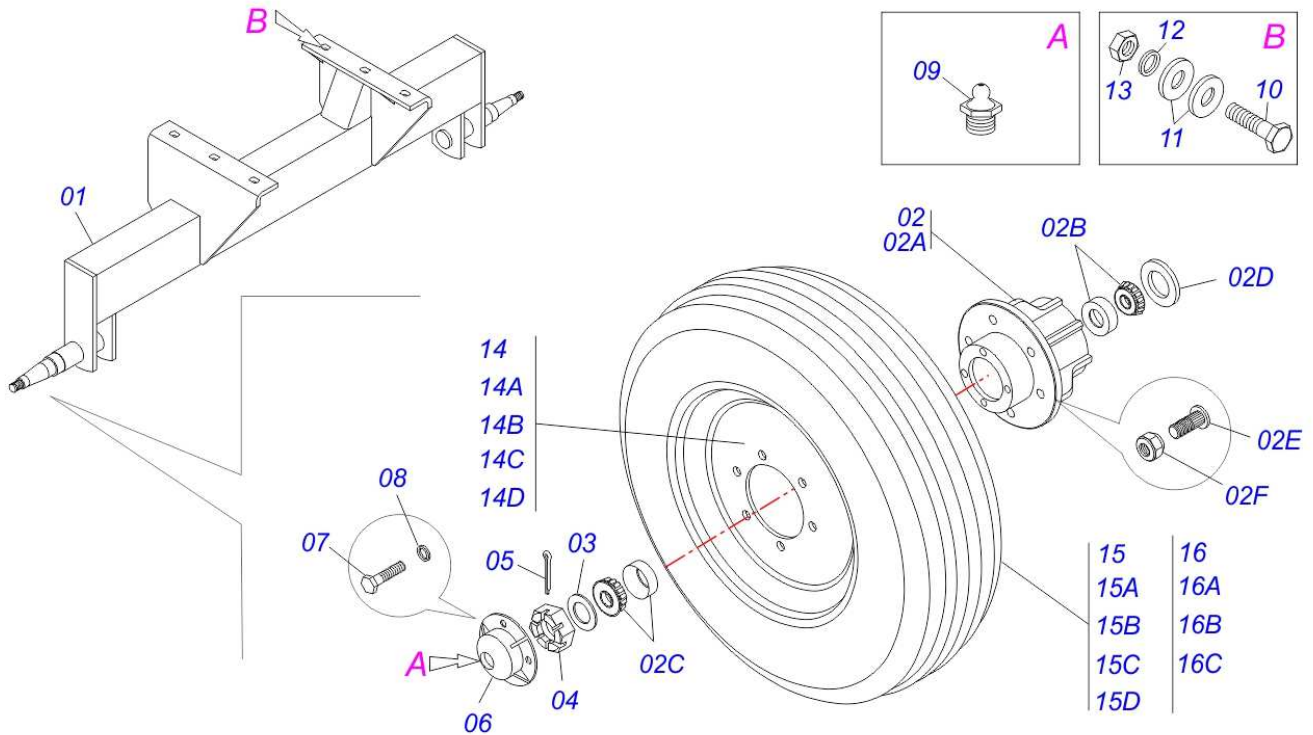
Item	Code	Description	QT
01	0501052176	SLEEVE UNIVERSAL JOINT	01
02	0501050265	UNIVERSAL JOINT	01
03	0501050333	1-40 TERMINAL WITH HITCH	01
04	0502010565	2-40 TERMINAL W/ SH 1.5"/1.5"	01
05	0503012069	ADAPTER FOR BUSHING PROTECT	01
06	0521013800	16" X 1.4" SQUARE SLEEVE	01
07	0503010836	CARDAN CROSSPIECE	02
08	0503011069	0.4" X 2.8" SPRING PIN	01
09	0503010510	0.2" X 2.6" SPRING PIN	01
10	0501052177	AXLE UNIVERSAL JOINT	01
11	0501052178	UNIVERSAL JOINT	01
12	0502011611	9-40 TERMINAL	01
13	0502010566	3-40 TERMINAL W/ SH 1.2"/1.2"	01
14	0503012070	ADAPTER FOR AXLE PROTECTION	01
15	0521013801	1.2" X 15.7" SQUARE SHAFT	01
16	0503010361	SPRING PIN	01
17	0503010756	0.2" X 2.4" SPRING PIN	01
18	0501052179	PROT/SLEEVE UNIVERSAL JOINT	01
19	0501052180	PROT/AXLE UNIVERSAL JOINT	01
20	0503012277	PROTECTION ASSY	01
21	0503012279	PROTECTION FOR UNIV JOINT AND AXLE	01
22	0503012278	PROTECTION FOR UNIV JOINT SLEEVE	01
23	0503012023	CHAIN FOR UNIV JOINT PROTECTION	02
24	0502010563	1-40 STRIATED 1.3/8" TERMINAL	01
25	0521010638	0.5" X 3.3" QUIC HITCH COUPL SHAFT	01
26	0503030518	0.5"X1.0"X 0.1" COMPRESSION SPRING	01
27	0503010838	0.1" X 0.8" SPRING PIN	01



Item	Code	Description	QT
01	0501052160	SLEEVE UNIVERSAL JOINT	01
02	0501051718	UNIVERSAL JOINT	01
03	0502010558	4-20 TERMINAL WITH ROLES	02
04	0502011426	2-20 TERMINAL	01
05	0521013797	0.9"X1.1"X31.5" SQUARE SLEEVE	01
06	0503010835	CARDAN CROSSPICE	02
07	0503010839	03"X 0.6" SPRING PIN	01
08	0501052161	UNIVERSAL JOINT WITH AXLE	01
09	0501051720	UNIVERSAL JOINT	01
10	0502011427	3-20 TERMINAL	01
11	0521013794	0.9" X 31.5 SQUARE SHAFT	01
12	0503010301	0.3" X 1.8" SPRING PIN	01
13	0501052162	PROT/SLEEVE UNIVERSAL JOINT	01
14	0501052163	PROT/AXLE UNIVERSAL JOINT	01
15	0503012268	PROTECTION ASSY	01
16	0503012269	PROTECTION FOR UNIV JOINT SLEEVE	01
17	0503012270	PROTECTION FOR UNIV JOINT AND AXLE	01
18	0503012023	CHAIN FOR UNIV JOINT PROTECTON	01



Item	Code	Description	QT
01	0503062157	HEADER JACK	01

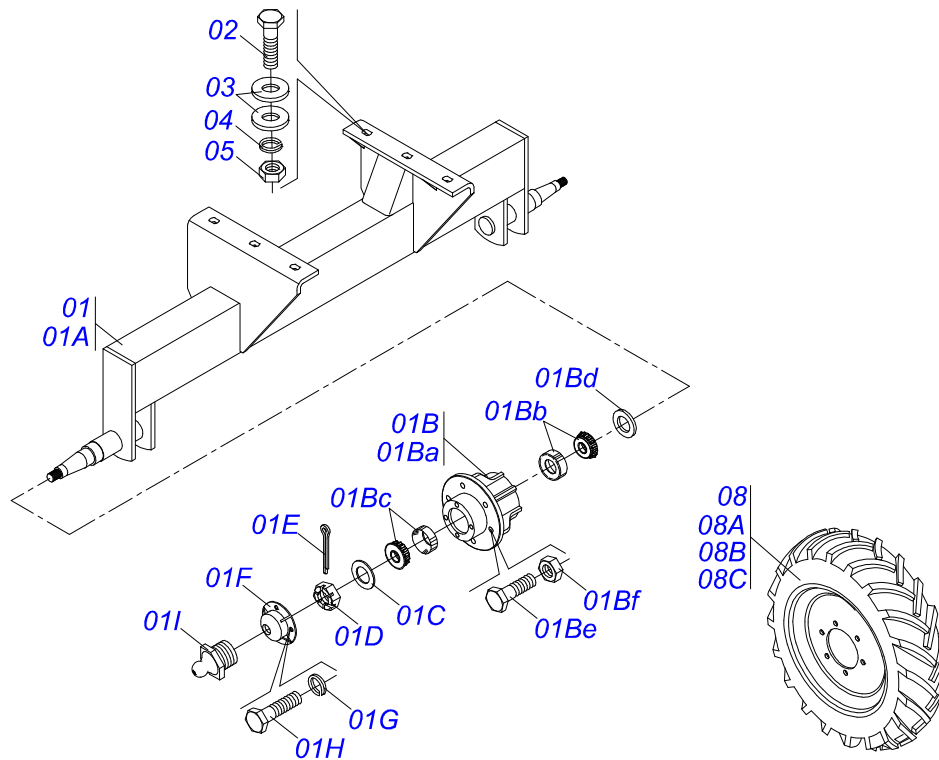


Item	Code	Description	QT
00	0501048188	CARRYING-WHEEL FIXATION SUPP ASSY	01
01	0501069574	CARRYING-WHEEL FIXATION SUPPORT	01
02	0501051142	CARRYING WHEEL HUB	02
02A	0502011121	CARRYING WHEEL HUB	02
02B	0503010006	32210 ROLLER BEARING	02
02C	0503010037	30207 ROLLER BEARING	02
02D	0503011867	00517-BR SEAL WITH HOLE	02
02E	0501010127	9/16" X 1-7/8" LUG BOLT	12
02F	0503010035	9/16" CONIC NUT	12
03	0501016545	FLAT WASHER	02
04	0503030009	1" CASTLE NUT	02
05	0503010131	3/16" X 1-1/2" COTTERPIN	02
06	0502020591	PROTECCION COVER	02
07	0503010295	5/16" X 5/8" BOLT	08
08	0503011444	SPRING WASHER	08
09	0503010002	1800 GREASE FITTING	02
10	0503010899	5/8" X 2-1/4" BOLT	06
11	0501012140	FLAT WASHER	12
12	0503010027	SPRING WASHER	06
13	0503010013	5/8" NUT	06
14	0503060206	29.5"X0.6"- 10L WHEEL AND TIRE ASSY	02
14A	0501068064	0.2"X0.6"X4.6"X6F0.6"X6" WHEEL	02
14B	0503010471	0.3" X 0.6" PROTECTION	02
14C	0503010033	7.50 X 16 INNER TIRE	02
14D	0503010120	CANVAS TIRE	02
15	0503060422	WHEEL AND TIRE ASSY 35"X0.8"-14L	02
15A	0503010494	9.0LX 20" X 14 PLY, TIRE	02
15B	0503010057	INNER TIRE	02
15C	0511061483	0.22" X 0.63" WHEEL	02
15D	0503010470	PROTECTION	02
16	0503060181	WHEEL AND TIRE	02
16A	0503010858	CANVAS TIRE	02
16B	0503011468	WEEL	02



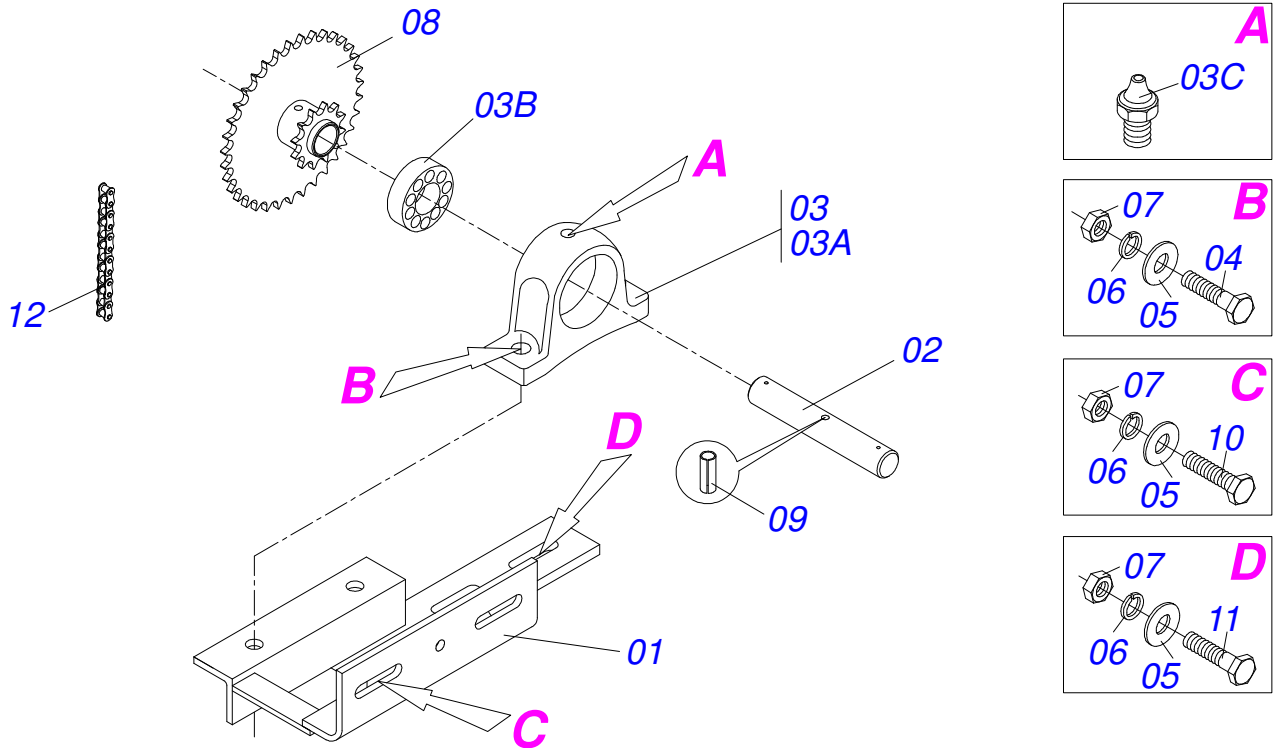
DFSC 2.5 MC
WHEELS ASSY

Item	Code	Description	QT
16C	0503010860	CAMARA AR 11L 15	02



Item	Code	Description	QT
01	0511049830	BELL CRANK FIXER SUPPORT	01
01A	0501069574	CARRYING-WHEEL FIXATION SUPPORT	01
01B	0511051258	CARRYING WHEEL HUB	02
01Ba	0521062555	HUB CARRYING-WHEELS	02
01Bb	0503010006	32210 ROLLER BEARING	02
01Bc	0503010037	30207 ROLLER BEARING	02
01Bd	0503012928	SEAL	02
01Be	0501010127	9/16" X 1-7/8" LUG BOLT	12
01Bf	0503013001	9/16" CONICAL NUT	12
01C	0501016545	FLAT WASHER	02
01D	0503830009	1" X 0.9" CASTLE NUT	02
01E	0503010131	3/16" X 1-1/2" COTTERPIN	02
01F	0502020591	PROTECCION COVER	02
01G	0503011444	SPRING WASHER	08
01H	0503010295	5/16" X 5/8" BOLT	08
01I	0503010002	1800 GREASE FITTING	02
02	0503010899	5/8" X 2-1/4" BOLT	06
03	0501012140	FLAT WASHER	12
04	0503010027	SPRING WASHER	06
05	0503010013	5/8" NUT	06
06	0511051259	KIT SIGNALING	01
06A	0561019598	LANTERN BODY SUPPORT	01
06B	0501011048	3/8" X 2-1/2" BOLT	02
06C	0503010025	3/8" SPRING WASHER	02
06D	0503010026	3/8" NUT	02
06E	0503032811	FLASHLIGHT	02
06F	0503032812	1141 12V LAMP	04
06G	0503032813	67 12V 5W LAMP	02
06H	0503013224	CABLE PP	08
06I	0503015497	CABLE PP	08
06J	0503013151	ELECTRIC CONNECTION	01
06K	0521062556	SUPPORT THE TRIANGLE	01
06L	0503013849	1/4" UNC X 3/4" BOLT	04

Item	Code	Description	QT
06M	0501010694	FLAT WASHER	08
06N	0503010023	SPRING WASHER	04
06O	0503010014	3/4" NUT	04
07	0511051260	BRAKE ASSY DCA	01
07A	0503061994	RIGHT BRAKE ASSY DCA	01
07B	0503061995	BRAKE ASSEMBLY LEFT DCA	01
07C	0561019596	PLATE LOCK BRAKE	02
07D	0501011179	7/16" X 1" BOLT	08
07E	0503010180	7/16" SPRING WASHER	08
07F	0503013494	NUT 7/16	08
07G	0561019597	BLOCK FLOW DIVIDER	01
07H	0503012776	1/8" NF NIPPLE	04
07I	0541011066	3/4" UNF X 43.5 NIPPLE	01
07J	0501081408	HOSE ASSY 1/4 "	02
07K	0501080780	HOSE ASSY 3/8 " TC-TM	01
07L	0501013115	RING OF 27	02
08	0503061969	CON WHEEL TIRE	02
08A	0511064944	WHEEL CR 30635/2-L15 4181569	02
08B	0503011469	RIB TIRE 12L	02
08C	0503010860	CAMARA AR 11L 15	02



Item	Code	Description	QT
01	0511062360	REDUCTION SUPER	01
02	0531010272	REDUCTION AXLE SUPER	01
03	0511041213	AGRICULTURAL BEARING	02
03A	0502011954	AGRICULTURAL HOUSING BEARING	02
03B	0503011884	BALL BEARING	02
03C	0503010691	1/4" GREASE FITTING	02
04	0503011082	C1/2" X 1.3/4" BOLT	04
05	0511017302	FLAT WASHER	08
06	0503010019	1/2" SPRING WASHER	08
07	0503010060	1/2" NUT	08
08	0511062364	REDUCTION GEAR SUPER	01
09	0503011855	0.2" X 1.8" SPRING PIN	01
10	0503010395	1/2" X 1-1/4" BOLT	02
11	0503010920	1/2" X 1.1/2" BOLT	02
12	0503012942	50-1 CHAIN X 46 LINK + REDUCTION	01



email: civemasa@civemasa.com.br

www.civemasa.com.br

Phone: +55 16.3382.8222

Fax: +55 16.3382.8355

MARCHESAN IMPLEMENTOS E MÁQUINAS AGRÍCOLAS "TATU" S.A.

Av. Marchesan, 1979 - Post Office box, 131 - Cep 15994-900 - Matão - Sp - Brasil

CNPJ 52.311.289/0001-63 | Inst. Est.441.000.151.114

Technical Publications: Elaboration

JOÃO VIRGINIO ROCHA

Technical Publications: Revision

ALESSANDRA PATRICIA KAWAHARA CARRILI

Contact Catálogo:

E-mail = jgaspari@marchesan.com.br

ORIGINAIS PARTS
CIVEMASA