

LIME AND FERTILIZER SPREADER

DFSC 7.5 MC WITH HYDRAULIC OPERATION

Code: 0501091568
Series: S-0114
Revision: 00
Revision Date: FEVEREIRO/2016

PARTS CATALOGUE


CIVEMASA

PRODUCTS

Code	Description
0120430019	DFSC 7.5 MC C/ACIONAM HIDR S-0114

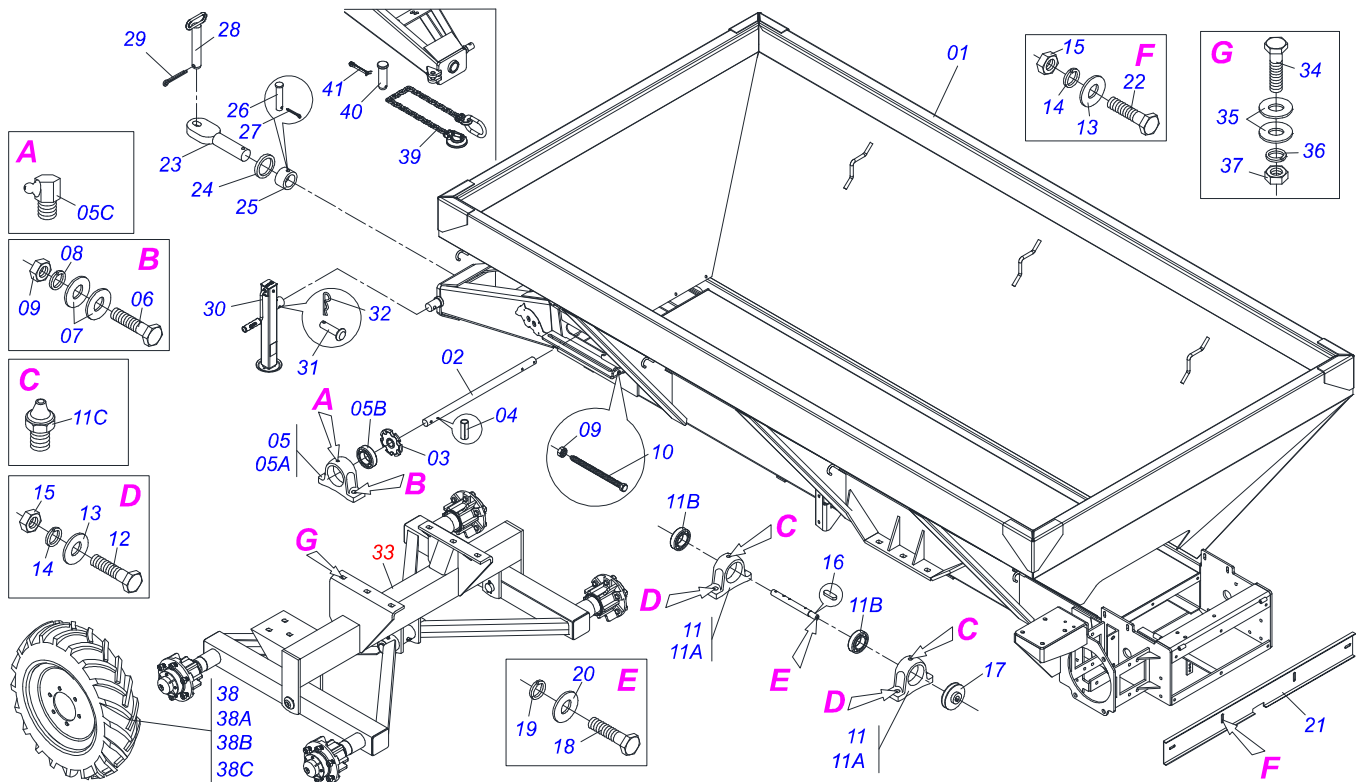
ATTENTION: IMPORTANT

Civemasa reserves the right to improve and / or modify the technical features of its products, without obligation to do the same with those products already sold and without prior knowledge of the dealer or the consumer.



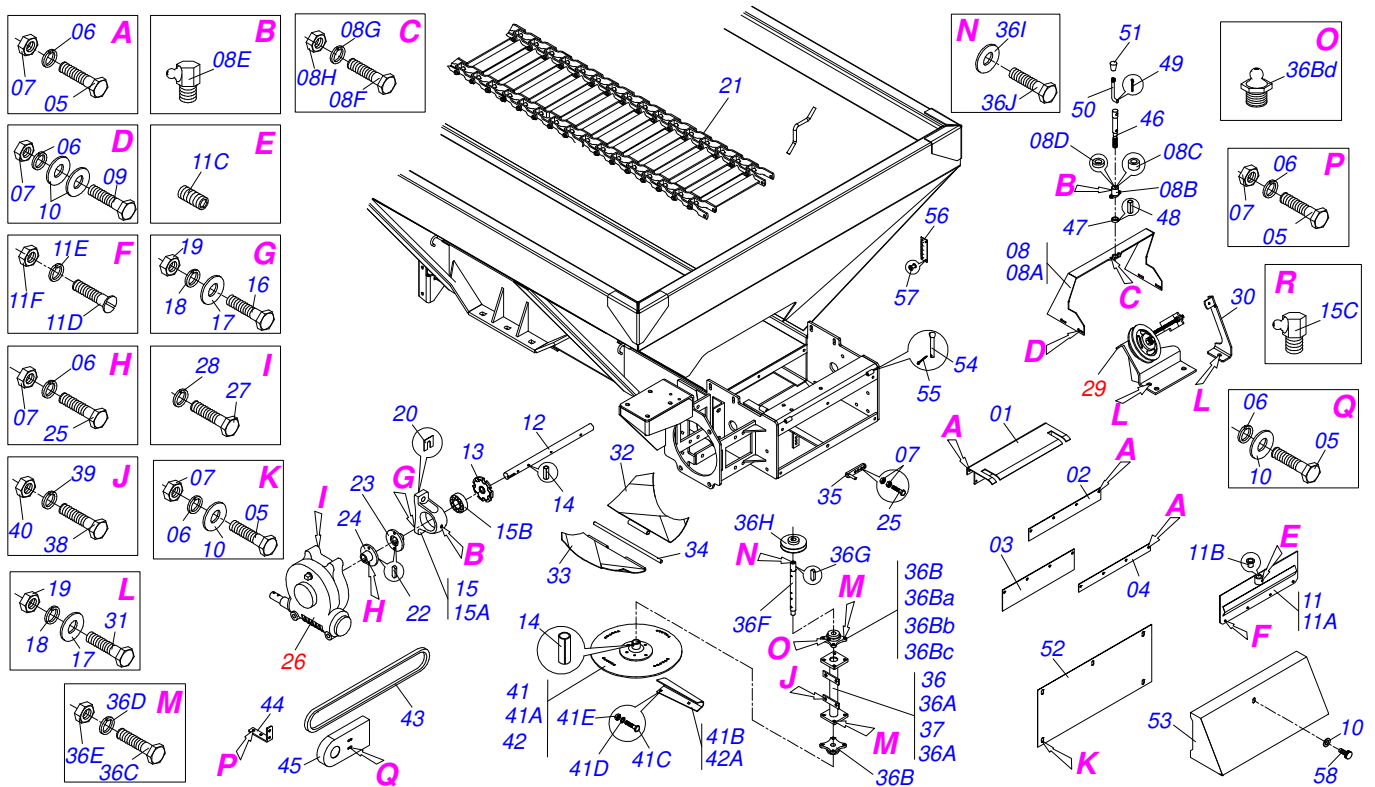
INDEX

0909090869	DIANTEIRA DFSC MC 7500	1
0909091919	REAR DCA2 MC 7550	2
0501047985	REDUCER	3
0501046802	BELT TENSIONER ASSY	4
0909091920	DAMPER ASSY	5
0501048785	BELL CRANK FIXATION SUPPORT ASSY	6
0511054498	HYDRAULIC CONTROL KIT	7
0503062157	HEADER JACK	8
0503060181	WHEEL AND TIRE	9
0501051142	CARRYING WHEEL HUB	10



Item	Code	Description	See page	QT
01	0511055616	BUCKET ASSY	01	01
02	0511016482	DRIVEN AXLE	01	01
03	0502040728	7Z GEAR	02	02
04	0503010361	SPRING PIN	02	02
05	0501044308	AGRICULTURAL BEARING ASSY	02	02
05A	0502011050	AGRICULTURAL HOUSING BEARING	02	02
05B	0503011163	1108/UCR BEARING ASSY	02	02
05C	0503010004	1890 GREASE FITTING	02	02
06	0503010233	5/8" X 2-1/2" BOLT	04	04
07	0501012140	FLAT WASHER	08	08
08	0503011445	SPRING WASHER	04	04
09	0503010013	5/8" NUT	06	06
10	0501067853	ROD STABILIZER	02	02
11	0511041213	AGRICULTURAL BEARING	02	02
11A	0502011954	AGRICULTURAL HOUSING BEARING	02	02
11B	0503011884	BALL BEARING	02	02
11C	0503010691	1/4" GREASE FITTING	02	02
12	0503010740	BOLT 1/2 UNC X 2 CS G.5 ZN	04	04
13	0511017302	FLAT WASHER	06	06
14	0503011440	SPRING WASHER	06	06
15	0503010060	1/2" NUT	06	06
16	0501010536	KEYWAY SQUARE	01	01
17	0502011361	REEL 1C 5.5" X 1.1" PULLEY	01	01
18	0503010355	7/16" X 1" BOLT	01	01
19	0503011446	SPRING WASHER	01	01
20	0511014052	FLAT WASHER	01	01
21	0501019838	BAMPER	01	01
22	0503010920	1/2" X 1.1/2" BOLT	02	02
23	0501069632	TRACTOR HITCH	01	01
24	0501015875	FLAT WASHER	01	01
25	0521010681	BUSHING COUPLING BODY	01	01

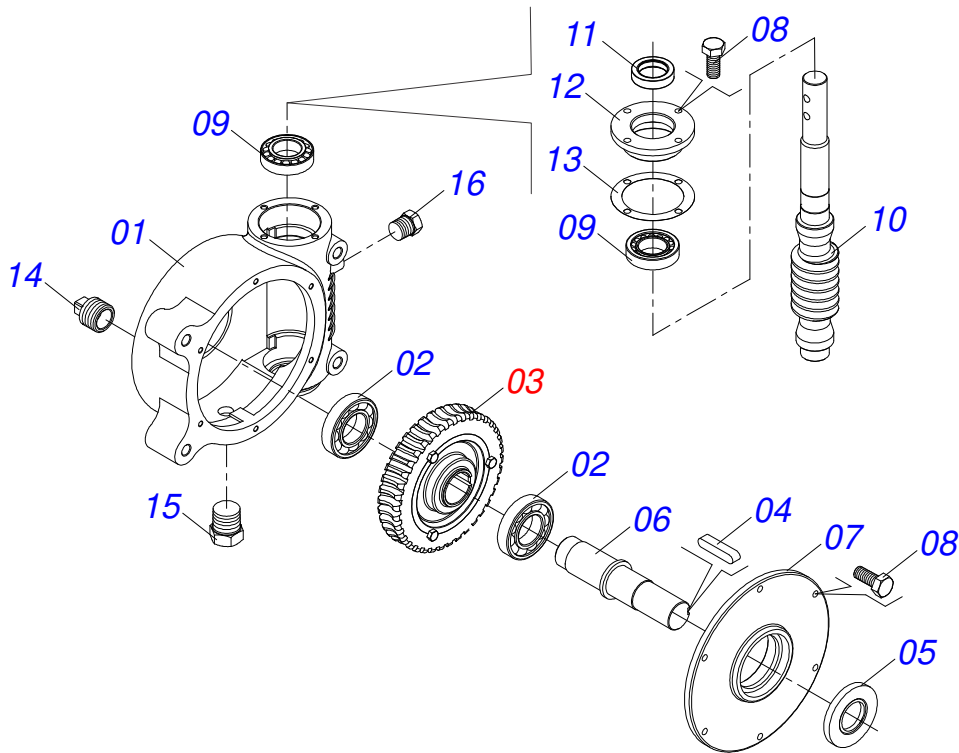
Item	Code	Description	See page	QT
26	0521010639	COUPLING SHAFT		01
27	0503010571	1/4" X 1.1/2 COTTERPIN		01
28	0501069080	COUPLING SHAFT		01
29	0503010534	3/8 X 2-1/2 COTTERPIN		01
30	0503062157	HEADER JACK	8	01
31	0521010549	COUPLING SHAFT		01
32	0503030168	HAIR PIN		01
33	0501048785	BELL CRANK FIXATION SUPPORT ASSY	6	01
34	0503010899	5/8" X 2-1/4" BOLT		06
35	0501012140	FLAT WASHER		12
36	0503010027	5/8" SPRING WASHER		06
37	0503010013	5/8" NUT		06
38	0503060181	WHEEL AND TIRE	9	04
38A	0503010858	CANVAS TIRE		04
38B	0503011468	WEEL		04
38C	0503010860	CAMARA AR 11L 15		04
39	0503013150	1300 X 3/8 CHAIN		01
40	0581011220	COUPLING SHAFT		01
41	0503010131	3/16" X 1-1/2" COTTERPIN		01



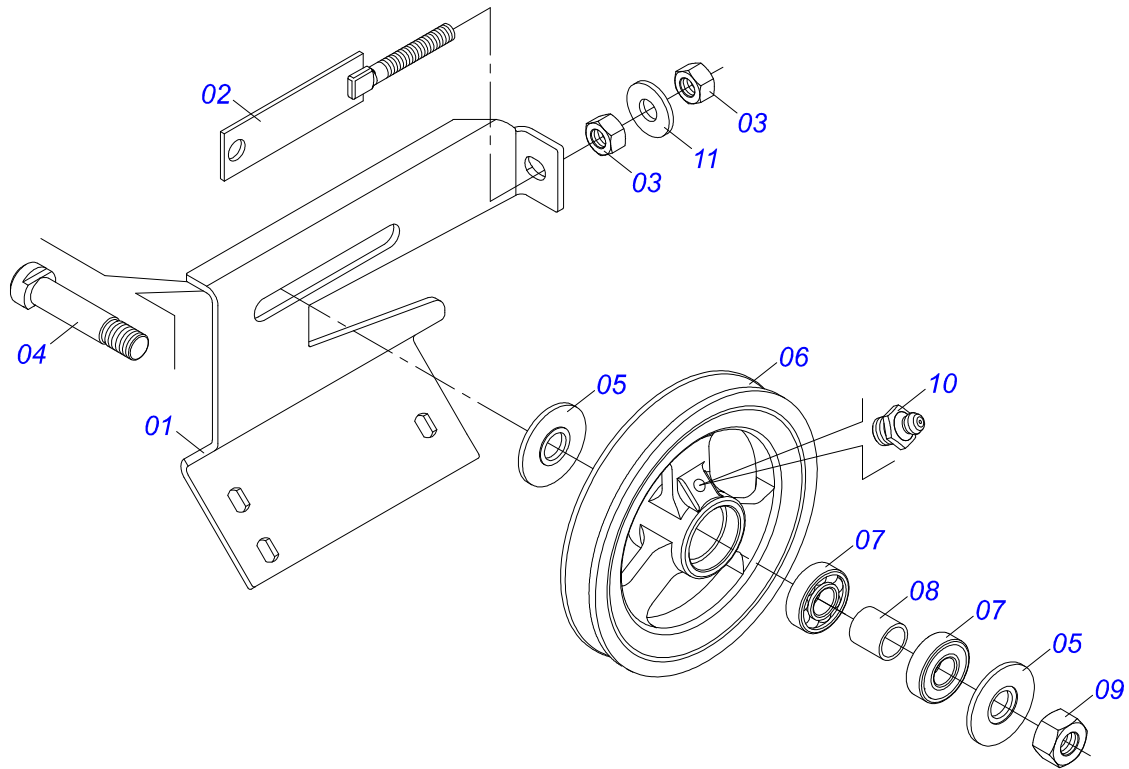
Item	Code	Description	See page	QT
01	0501067379	MAT REAR PROTECTION	01	
02	0511014562	PROTECTION SMALLER	01	
03	0511011866	PROTECTION LARGER	01	
04	0511016575	RUBBER COVER FIXER	02	
05	0503010237	3/8" X 1" BOLT	20	
06	0503011443	3/8" SPRING WASHER	26	
07	0503010026	3/8" NUT	24	
08	0501054846	SLUICE VALVE SUPPORT	01	
08A	0501069841	SLUICE VALVE SUPPORT	01	
08B	0502010581	ROD BEARING	01	
08C	0521010457	SLEEVE	01	
08D	0521010458	SLEEVE	01	
08E	0503010004	1890 GREASE FITTING	01	
08F	0503010371	5/16" X 1" BOLT	02	
08G	0503011444	SPRING WASHER	02	
08H	0503010337	5/16" NUT	02	
09	0503010751	C3/8" X 1.1/4" HEX BOLT G.5	04	
10	0501010984	FLAT WASHER	16	
11	0501054847	SLUICE VALVE COVER ASSY	01	
11A	0501069181	SLUICE VALVE COVER	01	
11B	0501019831	ADJUSTING NUT	01	
11C	0503011148	3/8" X 1/2" BOLT	01	
11D	0503010546	5/16" X 7/8" BOLT	04	
11E	0503011444	SPRING WASHER	04	
11F	0503010337	5/16" NUT	04	
12	0511016481	MOTOR SHAFT	01	
13	0502040728	7Z GEAR	02	
14	0503010361	SPRING PIN	04	
15	0501044308	AGRICULTURAL BEARING ASSY	02	
15A	0502011050	AGRICULTURAL HOUSING BEARING	02	
15B	0503011163	1108/UCR BEARING ASSY	02	

Item	Code	Description	See page	QT
15C	0503010004	1890 GREASE FITTING		02
16	0503010740	BOLT 1/2 UNC X 2 CS G.5 ZN		04
17	0511017302	FLAT WASHER		14
18	0503011440	SPRING WASHER		10
19	0503010060	1/2" NUT		10
20	0501010794	HIDR CHOCK REGULATOR		04
21	0501069582	DRIVE THE FERTILIZER TRANSPORT		01
22	0501010540	KEYWAY SQUARE		02
23	0511016540	MAT COUPLING FLANGE		01
24	0511016541	REDUCTION COUPLING FLANGE		01
25	0503010849	3/8" X 1-1/2" BOLT		03
26	0501047985	REDUCER	3	01
27	0503011167	M16 X 2 X 30 BOLT		04
28	0503011445	SPRING WASHER		04
29	0501046802	BELT TENSIONER ASSY	4	01
30	0511060909	PROTECTION REAR SUPPORT FIXER		01
31	0503010920	1/2" X 1.1/2" BOLT		03
32	0501067203	RIGHT FLOW DIVIDING		01
33	0501067361	LEFT FLOW DIVIDING		01
34	0511016530	TENSIONER OPEN		01
35	0501067368	DIVISOR REGULATOR OPEN		02
36	0501051782	RIGHT BEARING SUPPORT DISC		01
36A	0501067387	DISTRIBUTOR RIGHT SUPPORT DISC		01
36B	0501048000	AGRICULTURAL BEARING		04
36Ba	0502011442	AGRICULTURAL HOUSING BEARING		04
36Bb	0503010276	6206 BALL BEARING		04
36Bc	0503011865	SEAL		04
36Bd	0503010002	1800 GREASE FITTING		04
36C	0503011102	BOLT 7/16 UNC X 1.1/4 C S G.5 ZN		16
36D	0503011446	SPRING WASHER		16
36E	0503010244	7/16" NUT		16
36F	0511016489	DISTRIBUTOR AXLE CONDUCTOR DISC		02
36G	0501010536	KEYWAY SQUARE		02
36H	0502011361	REEL 1C 5.5" X 1.1" PULLEY		02
36I	0511014052	FLAT WASHER		02
36J	0503010355	7/16" X 1" BOLT		02
37	0501051783	LEFT BEARING SUPPORT DISC		01
37A	0501067388	DISTRIBUTOR LEFT SUPPORT DISC		01
38	0503010920	1/2" X 1.1/2" BOLT		08
39	0503010019	1/2" SPRING WASHER		08
40	0503010060	1/2" NUT		08
41	0501051972	DISTRIBUTOR RIGHT DISC ASSY		01
41A	0501069605	DISTRIBUTOR DISC		02
41B	0521018637	RH FLIP		04
41C	0503013029	3/8" X 3/4" BOLT		16
41D	0503011443	3/8" SPRING WASHER		16
41E	0503010026	3/8" NUT		16
42	0501051973	DISTRIBUTOR LEFT DISC ASSY		01
42A	0521018638	LH FLIP		04
43	0503010154	C-128 BELT		01
44	0501069225	BELT PROTECTION FIXER		01
45	0521011062	BELT PROTECTION SIDE		01
46	0561014861	REGULATOR		01
47	0511013015	SLEEVE		01
48	0503010561	SPRING PIN		01
49	0503010257	1/8" X 1" COTTERPIN		01
50	0521011107	CRANK BODY		01
51	0503030878	LEVER CRANK		01
52	0501019460	REAR PROTECTION		01

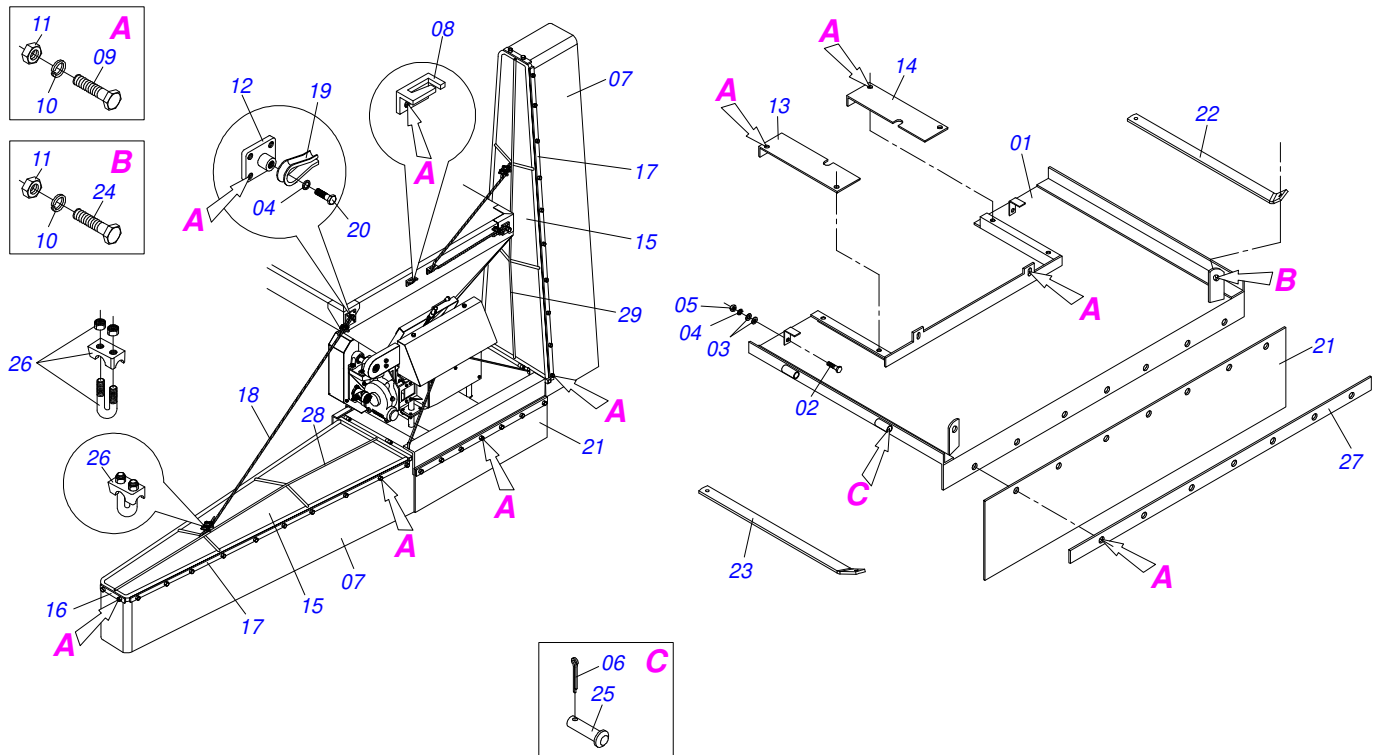
Item	Code	Description	See page	QT
53	0501069840	REAR COVER PROTECTION		01
54	0501017574	0.3" X 2.7" AXLE		02
55	0503010140	1/8" X 3/4" COTTERPIN		02
56	0503030751	REGULATOR PLATE		01
57	0503012209	RIVET POP		04
58	0503010386	CABLE		01



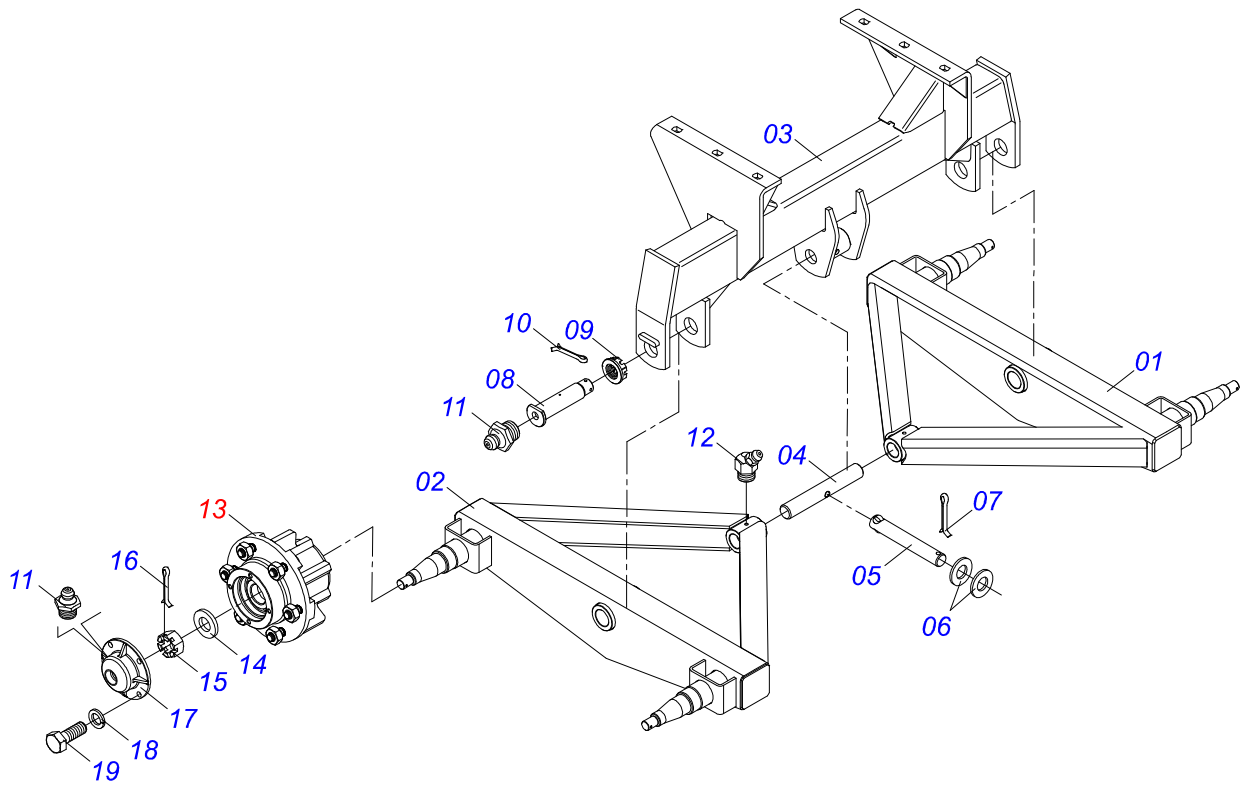
Item	Code	Description	See page	QT
01	0502011456	REDUCTION BOX	01	01
02	0503011095	6208 BALL BEARING	02	02
03	0501051774	38Z CROWN	01	01
04	0503011304	1/2" X 2.4" KEYWAY SQUARE	01	01
05	0503010818	02675-BRG SEAL	01	01
06	0521010996	AXLE	01	01
07	0502020556	LARGER COVER	01	01
08	0503010240	5/16" X 3/4" BOLT	10	10
09	0503010016	BEARING LM	02	02
10	0521010997	SCREW THEAD	01	01
11	0503011171	00912-BRG SEAL	01	01
12	0502011457	SMALLER COVER	01	01
13	0503030981	102 X 75,5 X 0,10 JOINT	01	01
14	0521011023	PLUG	01	01
15	0503031604	1/2" BSP PLUG	01	01
16	0503010856	OIL PLUG	01	01



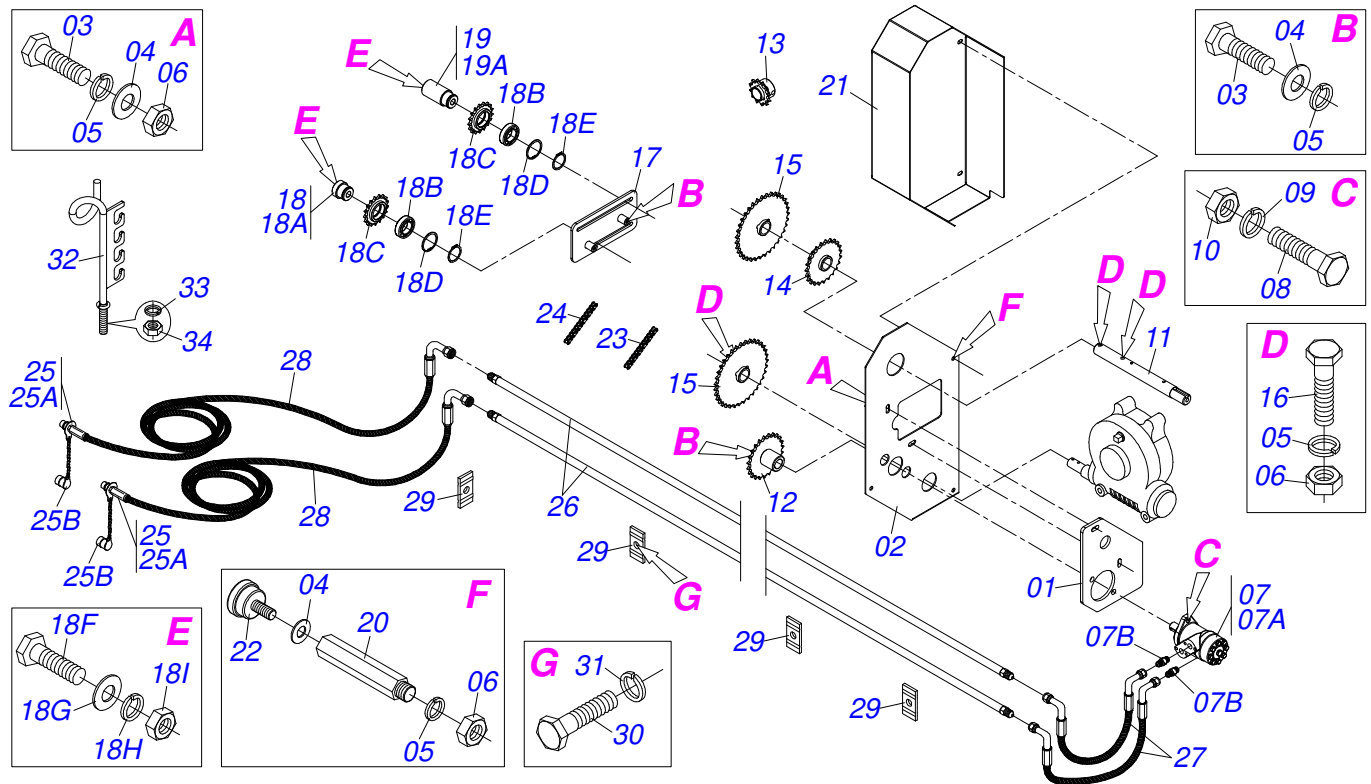
Item	Code	Description	See page	QT
01	0501066100	SUPPORT		01
02	0501065968	1C X 8.3 PULLEY TENSIONER		01
03	0503010013	5/8" NUT		02
04	0511012362	TIGHTENER AXLE PULLEY		01
05	0501019288	WASHER SPACER		02
06	0502011366	REEL 1C 8.3" X 1.6" PULLEY		01
07	0503010690	6204 BALL BEARING		02
08	0521010497	0.8" X 1.1" X 1.1" SPACER		01
09	0503010014	3/4" NUT		01
10	0503010002	1800 GREASE FITTING		01
11	0501012140	FLAT WASHER		01



Item	Code	Description	See page	QT
01	0501067801	CENTRAL FRAME	01	
02	0501010063	1/2" X 1-1/2" BOLT	02	
03	0511017302	FLAT WASHER	04	
04	0503010019	1/2" SPRING WASHER	04	
05	0503010060	1/2" NUT	02	
06	0503010131	3/16" X 1-1/2" COTTERPIN	04	
07	0511013808	BLANKET RUBBER	02	
08	0501066514	STELL GUIDE CABLO	02	
09	0503010237	3/8" X 1" BOLT	67	
10	0503010025	3/8" SPRING WASHER	71	
11	0503010026	3/8" NUT	71	
12	0501066515	STELL SUPPORT CABLO	02	
13	0511017104	RIGHT COVER SIDE	01	
14	0511017105	LEFT COVER SIDE	01	
15	0511013809	SUPPORT PROTECTION	02	
16	0511013806	FIXER CANVAS RIBBON	02	
17	0511013793	FIXER SUPPORT CANVAS	04	
18	0511013817	STELL CABLE	02	
19	0503011202	BRACKET	04	
20	0503010834	1/2 X 1 BOLT	02	
21	0511013810	REAR PROTECTION	01	
22	0511017465	ATTACHMENT BAR	01	
23	0511017466	ATTACHMENT BAR	01	
24	0503010751	C3/8" X 1.1/4" HEX BOLT G.5	04	
25	0511013803	PIN	04	
26	0503010165	5/16" CABLO STEEL STAPLE	08	
27	0511013804	REAR RIBBON FIXER BLANKET	01	
28	0501066442	RIGHT WING	01	
29	0501066443	LEFT WING	01	

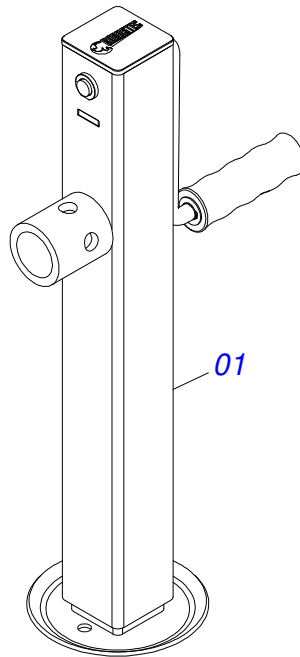


Item	Code	Description	See page	QT
01	0501069577	RIGHT ROCKER ARM		01
02	0501069578	LEFT BELL CRANCK		01
03	0501069579	BELL CRANK FIXATION SUPPORT		01
04	0521012427	1.5" X 11.4" COUPLING SHAFT		01
05	0521010553	0.5" X 3" COUPLING SHAFT		01
06	0511017302	FLAT WASHER		02
07	0503010297	5/32" X 1.1/4" COTTER PIN		01
08	0521012431	1-1/2" 7.6 PIVOT SHAFT		02
09	0501011301	1.1/2 UNC 6FPP 2.5/16 NUT		02
10	0503010010	1/4" X 2.1/2" COTTERPIN		02
11	0503010002	1800 GREASE FITTING		04
12	0503010003	1845 GREASE FITTING		02
13	0501051142	CARRYING WHEEL HUB	10	04
14	0501016545	FLAT WASHER		04
15	0503030009	1" CASTLE NUT		04
16	0503010131	3/16" X 1-1/2" COTTERPIN		04
17	0502020591	PROTECCION COVER		04
18	0503011444	SPRING WASHER		16
19	0503010358	5/16" X 5/8" BOLT		16

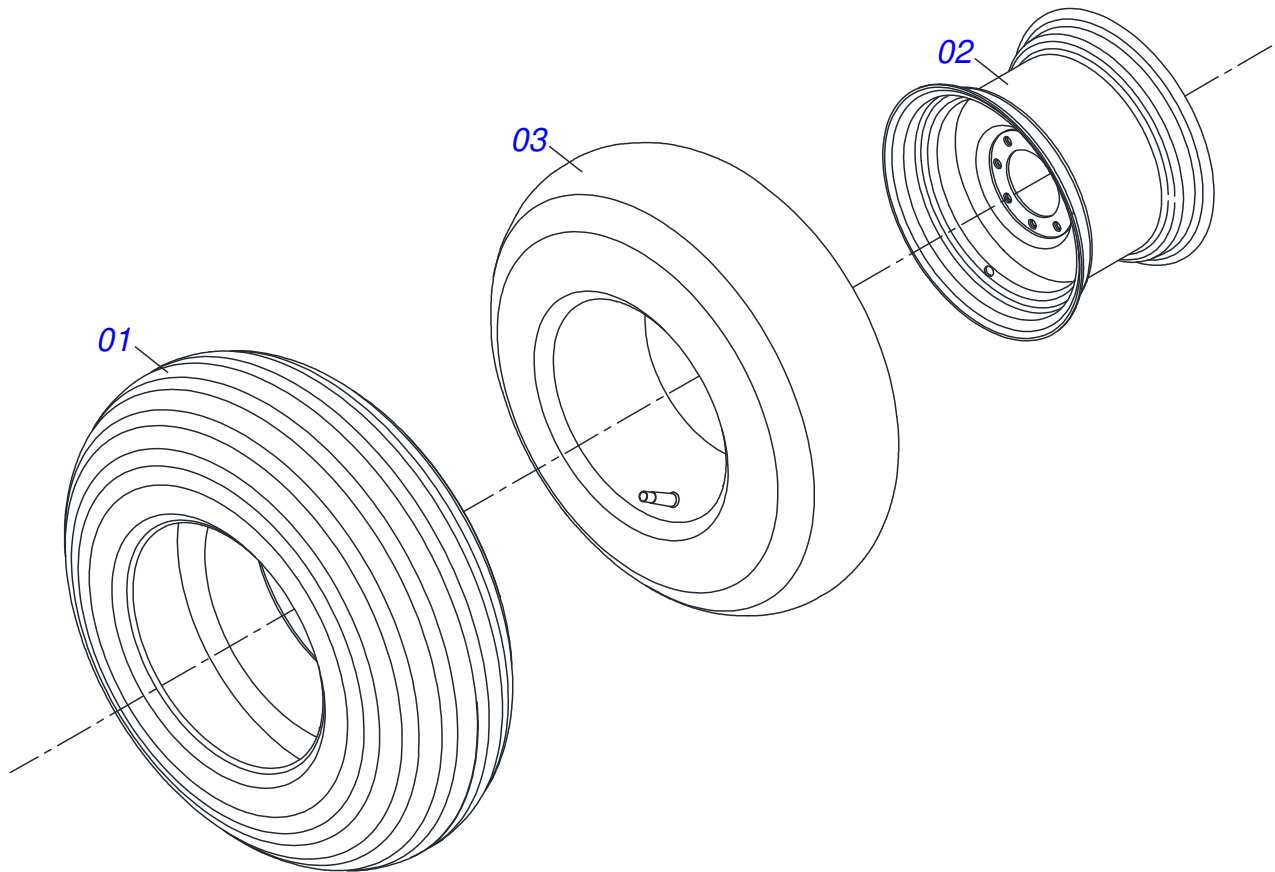


Item	Code	Description	See page	QT
01	0571015182	HIDRAULIC MOTOR SUPPORT	01	
02	0571015447	PROTECTION REAR	01	
03	0503010751	C3/8" X 1.1/4" HEX BOLT G.5	05	
04	0501010984	FLAT WASHER	08	
05	0503010025	3/8" SPRING WASHER	10	
06	0503010026	3/8" NUT	07	
07	0511053588	MOTOR HYDRAULIC OMP 80 WITH NIPPLE 7/8 NIPPE 7/8	01	
07A	0503016055	MOTOR HYDRAULIC PARKER OMP 80 ISOBUS	01	
07B	0511014065	7/8" NF X R1/2NPT X 52 NIPPLE	02	
08	0503010920	1/2" X 1.1/2" BOLT	02	
09	0503010019	1/2" SPRING WASHER	02	
10	0503010060	1/2" NUT	02	
11	0571015448	DRIVE AXLE	01	
12	0521064566	GEAR HIDRAULIC MOTOR	01	
13	0501069017	12Z GEAR	01	
14	0521063041	GEAR 23Z	01	
15	0501069020	35Z GEAR	02	
16	0503011268	3/8" X 2-1/2" BOLT	03	
17	0521064691	SUPPORT TENSIONER	01	
18	0511054496	TENSIONER SMALEER ASSY	01	
18A	0571015185	AXLE TIGHTENER 26 DCA	01	
18B	0503011410	ROLLER BEARING	02	
18C	0511061836	17Z GEAR	02	
18D	0503011105	SEAL RING	02	
18E	0503010406	501025 CLAMPING RING (FOR AXLE)	02	
18F	0501010096	3/8" X 2" BOLT	02	
18G	0501010984	FLAT WASHER	02	
18H	0503010025	3/8" SPRING WASHER	02	
18I	0503010026	3/8" NUT	02	
19	0511054497	TENSIONER LARGER ASSY	01	
19A	0571015186	AXLE TIGHTENER 26 DCA	01	

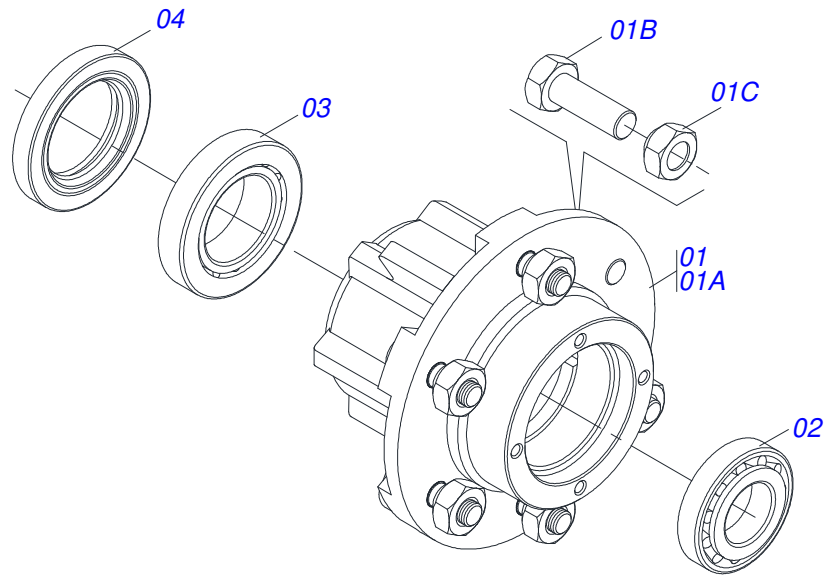
Item	Code	Description	See page	QT
20	0571015189	PRISONER 3/8"		03
21	0571015450	CHAIN CAP		01
22	0503010386	CABLE		03
23	0503011233	50-1 CHAIN X 79 LINK + REDUCTION + MENDING		01
24	0503013003	50-1 CHAIN X 79 LINK + REDUCTION + MENDING		01
25	0501053834	MALE QUICK COUPLER WITH CAP - 1/2 NPT		02
25A	0503011627	MALE QUICK COUPLER AGR 1/2 NPT		02
25B	0503011882	MALE QUICK COUPLER CAP		02
26	0521064594	OIL TUBE DISTRIBUTOR		02
27	0501081512	HOSE 1/2 X 800 TC-TC 90G		02
28	0501080246	TR-TM HOSE ASSY		02
29	0531011180	UPPER BODY CLIP		04
30	0503012555	SCREW 7/16 UNC X 2 CS RT G.7 ZN		04
31	0503010180	7/16" SPRING WASHER		04
32	0501060409	HOSE SOPPORT ASSY		01
33	0503010023	3/4" SPRING WASHER		01
34	0503010014	3/4" NUT		01



Item	Code	Description	See page	QT
01	0503062157	HEADER JACK	8	01



Item	Code	Description	See page	QT
01	0503010858	CANVAS TIRE		01
02	0503011468	WEEL		01
03	0503010860	CAMARA AR 11L 15		01



Item	Code	Description	See page	QT
01	0501110728	WHEEL HUB		01
01A	0502011121	CARRYING WHEEL HUB		01
01B	0501010127	9/16" X 1-7/8" LUG BOLT		06
01C	0503010035	9/16" CONIC NUT		06
02	0503010037	30207 ROLLER BEARING		01
03	0503010006	32210 ROLLER BEARING		01
04	0503012928	SEAL		01



civemasa

Technical Publications | Elaboration and Revision

JOÃO VIRGINIO ROCHA

www.civemasa.com.br

