

PARTS CATALOGUE

LIME AND FERTILIZER SPREADER

DFSC 5.5 MC WITH HYDRAULIC DRIVE

Code: 0501091567



Series: S-0114

Review: FEVEREIRO/2016

**ORIGINAL PARTS
CIVEMASA**

civemasa

PRODUCTS

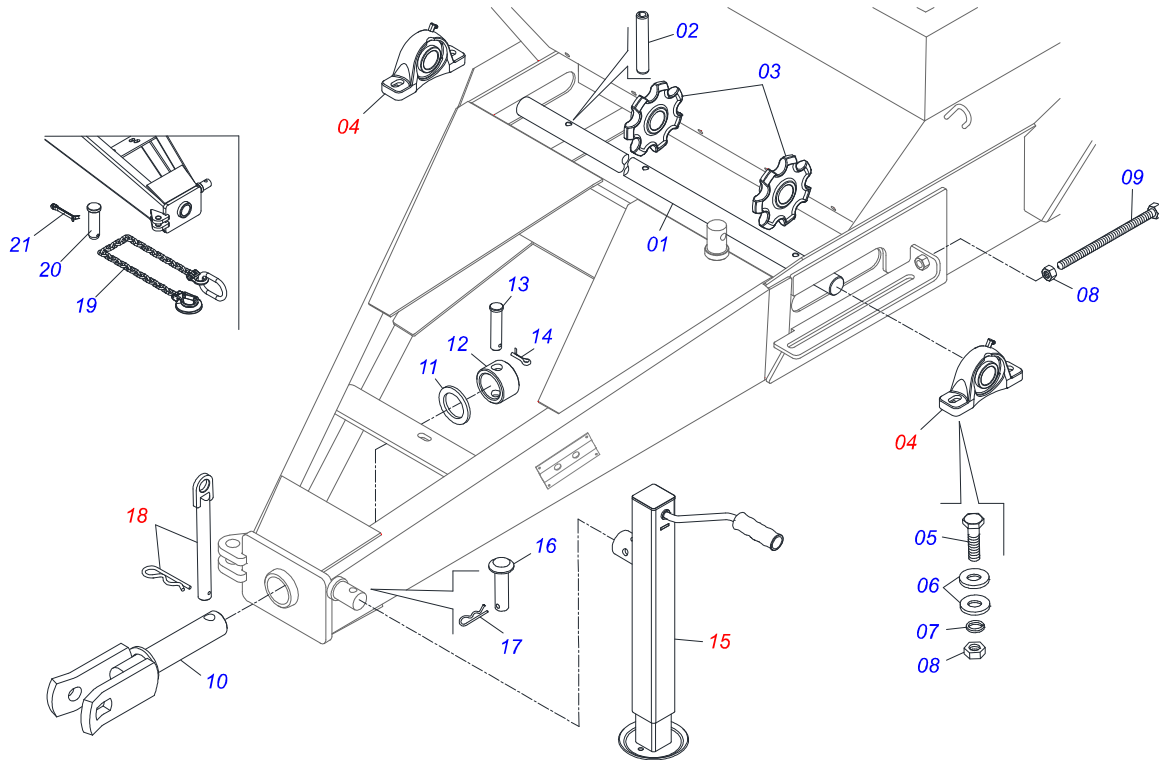
Code	Description
0120430013	DFSC 5.5 MC C/ACIONAM HIDR S-0114

ATTENTION: **IMPORTANT**

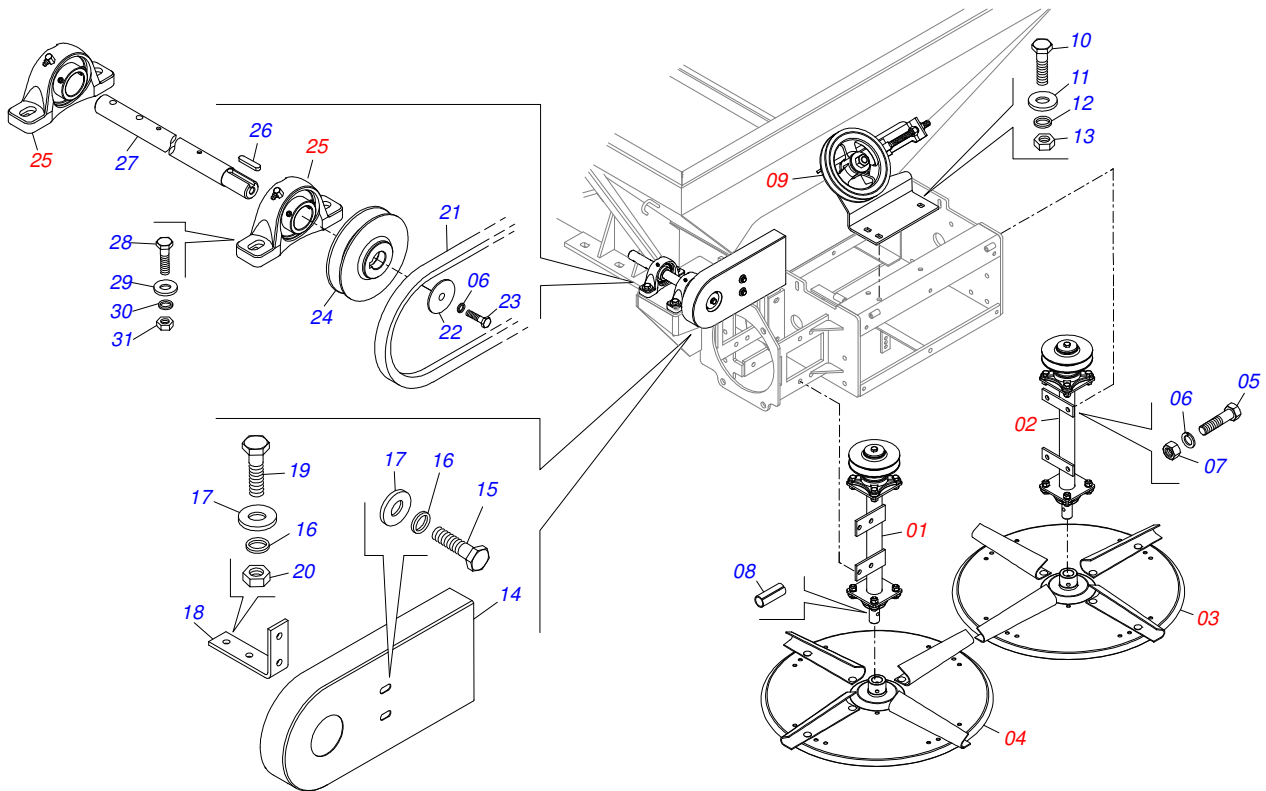
CIVEMASA RESERVES THE RIGHT AT ANY TIME TO MAKE IMPROVEMENTS IN THE DESIGN, MATERIAL OR SPECIFICATIONS OF MACHINERY, EQUIPMENT OR PARTS WITHOUT THEREBY BECOMING LIABLE TO MAKE SIMILAR CHANGES IN MACHINERY, EQUIPMENT OR PARTS PREVIOUSLY SOLD.

INDEX

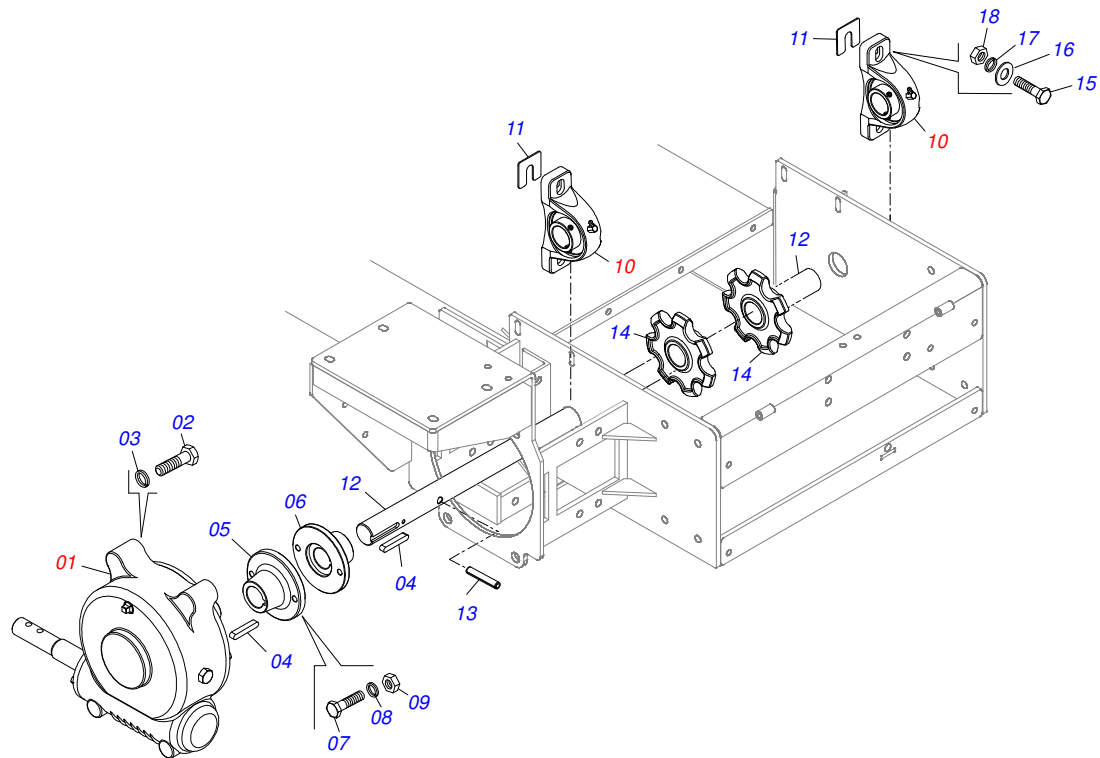
0909090944	HYDRAULIC DRIVER FRONT COMPONENTS	1
0909090945	DISTRIBUTOR DISC CONTROLS	2
0909091017	REDUCTOR END CONTROL CONVEYOR	3
0909091016	FLOW DIVIDER AND PROTECTIVE COVERS	4
0909094776	FRAME BUCKET	5
0909094433	SUPPORT PROTETION DISC	6
0501054846	SLUICE VALVE SUPPORT	7
0501054847	SLUICE VALVE COVER ASSY	8
0501051782	RIGHT BEARING SUPPORT DISC	9
0501051783	LEFT BEARING SUPPORT DISC	10
0501051972	DISTRIBUTOR RIGHT DISC ASSY	11
0501051973	DISTRIBUTOR LEFT DISC ASSY	12
0501048000	AGRICULTURAL BEARING	13
0501047985	REDUCER	14
0501044308	AGRICULTURAL BEARING ASSY	15
0501047881	COUPLING SHAFT	16
0501046802	BELT TENSIONER ASSY	17
0521045251	CARRYING-WHEEL FIXATION SUPP ASSY	18
0501047998	BELL CRANK FIXATION SUPPORT ASSY	19
0503060181	WHEEL AND TIRE	20
0503062157	HEADER JACK	21
0501051142	CARRYING WHEEL HUB	22
0511054496	TENSIONER SMALEER ASSY	23
0511054497	TENSIONER LARGER ASSY	24
0501053834	QUICK CONECTION (MALE) 1/2	25
0511053588	MOTOR HYDRAULIC OMP 80 WITH NIPPLE 7/8 NIPPE 7/8	26



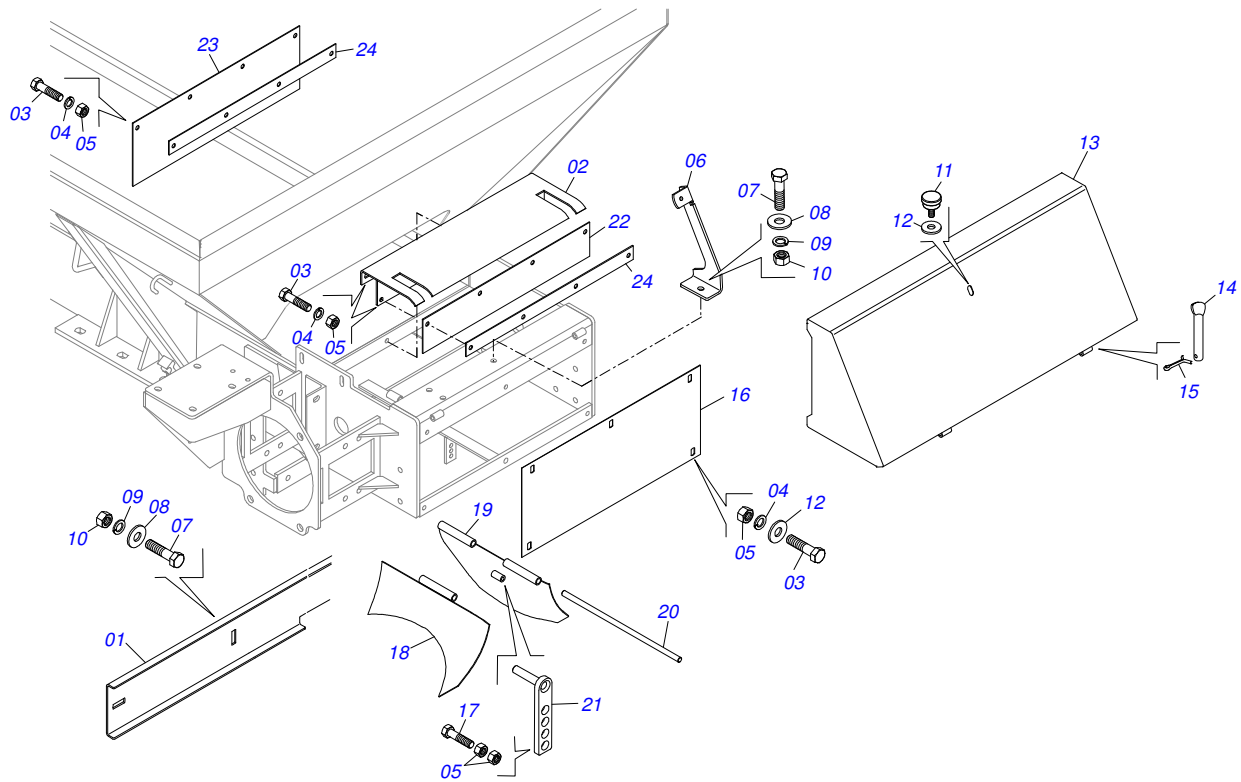
Item	Code	Description	QT
01	0511016482	DRIVEN AXLE	01
02	0503010361	SPRING PIN	02
03	0502040728	7Z GEAR	02
04	0501044308	AGRICULTURAL BEARING ASSY	02
05	0503810233	5/8" X 2-1/2" BOLT	04
06	0501012140	FLAT WASHER	08
07	0503010027	SPRING WASHER	04
08	0503010013	5/8" NUT	06
09	0501067853	ROD STABILIZER	02
10	0501069166	TRACTOR HITCH	01
11	0521015342	WASHER SPACER	01
12	0521010681	BUSHING COUPLING BODY	01
13	0521010639	COUPLING SHAFT	01
14	0503010571	1/4" X 1.1/2" COTTERPIN	01
15	0503062157	HEADER JACK	01
16	0521010549	COUPLING SHAFT	01
17	0503030168	HAIR PIN	01
18	0501047881	COUPLING SHAFT	01
19	0503013150	1300 X 3/8 CHAIN	01
20	0581011220	COUPLING SHAFT	01
21	0503010131	3/16" X 1-1/2" COTTERPIN	01



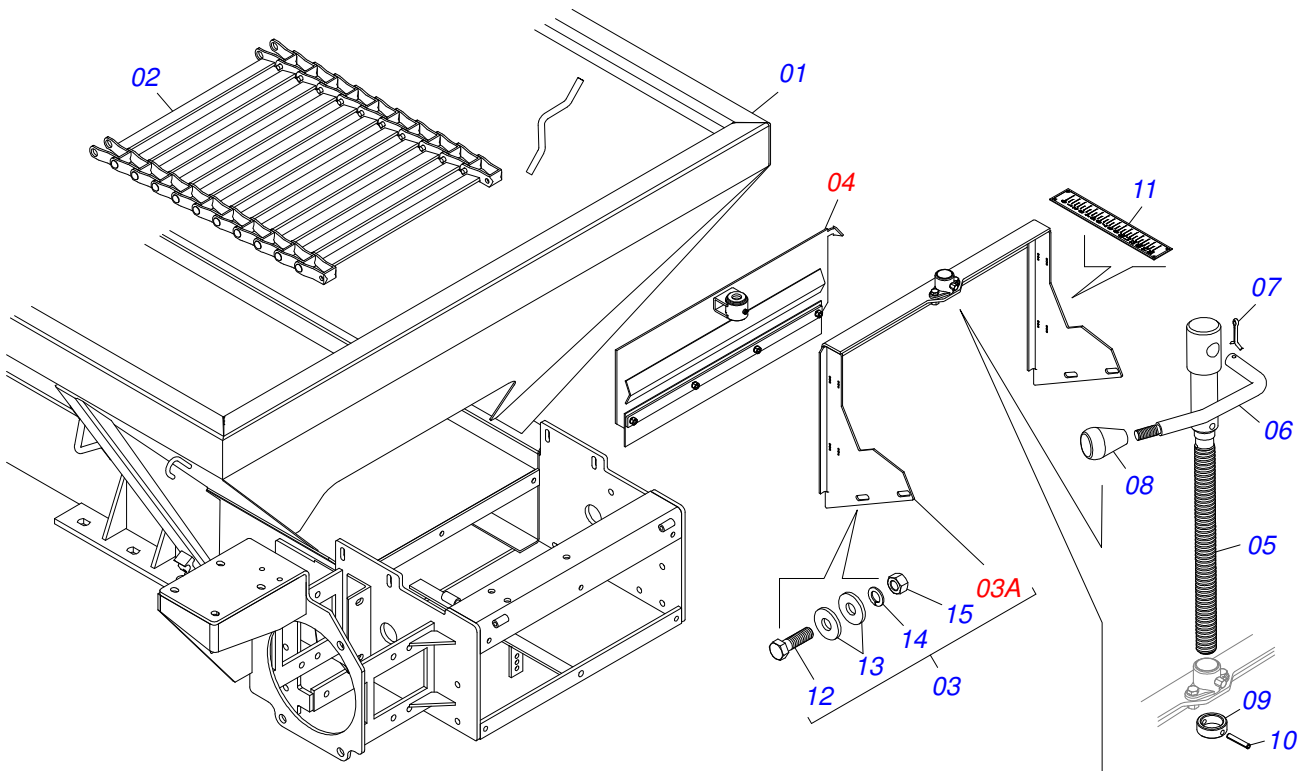
Item	Code	Description	QT
01	0501051783	LEFT BEARING SUPPORT DISC	01
02	0501051782	RIGHT BEARING SUPPORT DISC	01
03	0501051972	DISTRIBUTOR RIGHT DISC ASSY	01
04	0501051973	DISTRIBUTOR LEFT DISC ASSY	01
05	0503011102	PARAFUSO 7/16 UNC X 1.1/4 C S G.5	08
06	0503011446	SPRING WASHER	08
07	0503010244	7/16" NUT	08
08	0503010361	SPRING PIN	02
09	0501046802	BELT TENSIONER ASSY	01
10	0503010920	1/2" X 1.1/2" BOLT	04
11	0511017302	FLAT WASHER	04
12	0503011440	SPRING WASHER	04
13	0503010060	1/2" NUT	04
14	0521011062	BELT PROTECTION SIDE	01
15	0503010237	3/8" X 1" BOLT	02
16	0503010025	3/8 SPRING WASHER	06
17	0501010984	FLAT WASHER	04
18	0501069225	BELT PROTECTION FIXER	01
19	0503010237	3/8" X 1" BOLT	02
20	0503010026	3/8" NUT	04
21	0503010154	C-128 BELT	01
22	0511014052	FLAT WASHER	01
23	0503010355	7/16" X 1" BOLT	01
24	0502011361	REEL 1C 5.5" X 1.1" PULLEY	01
25	0501044308	AGRICULTURAL BEARING ASSY	04
26	0501010540	KEYWAY SQUARE	02
27	0571015448	DRIVE AXLE	01
28	0503010740	1/2" X 2" BOLT	04
29	0511017302	FLAT WASHER	04
30	0503011440	SPRING WASHER	04
31	0503010060	1/2" NUT	04



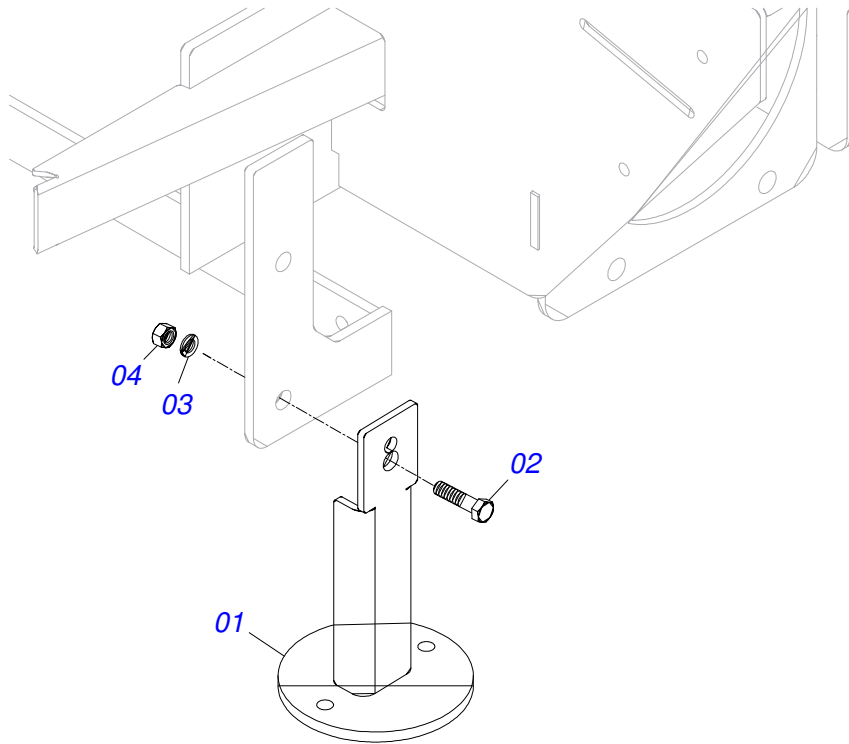
Item	Code	Description	QT
01	0501047985	REDUCER	01
02	0503011167	M16 X 2 X 30 BOLT	04
03	0503011445	SPRING WASHER	04
04	0501010540	KEYWAY SQUARE	02
05	0511016541	REDUCTION COUPLING FLANGE	01
06	0511016540	MAT COUPLING FLANGE	01
07	0503010849	3/8" X 1-1/2" BOLT	02
08	0503011443	SPRING WASHER	02
09	0503010026	3/8" NUT	02
10	0501044308	AGRICULTURAL BEARING ASSY	02
11	0501010794	HIDR CHOCK REGULATOR	04
12	0511016481	MOTOR SHAFT	01
13	0503010361	SPRING PIN	03
14	0502040728	7Z GEAR	03
15	0503010740	1/2" X 2" BOLT	04
16	0511017302	FLAT WASHER	04
17	0503011440	SPRING WASHER	04
18	0503010060	1/2" NUT	04



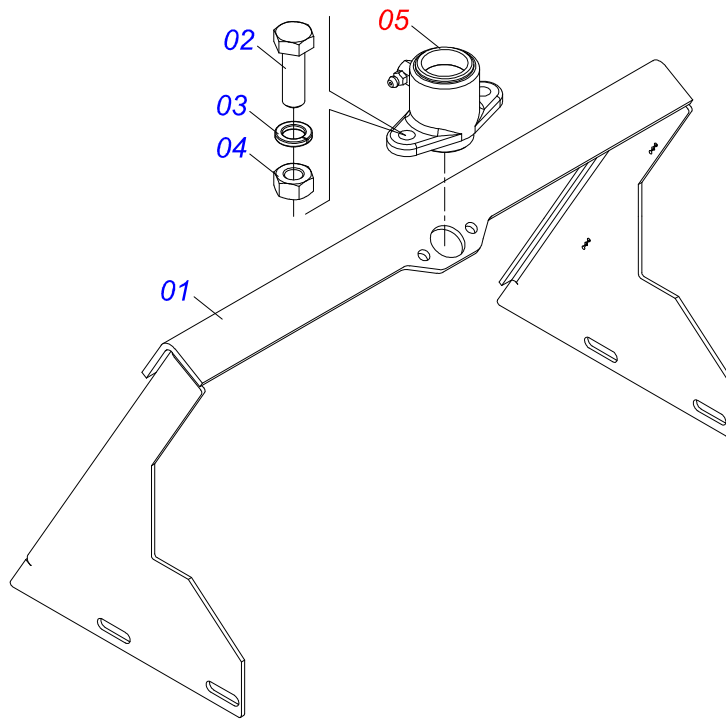
Item	Code	Description	QT
01	0501019838	BAMPER	01
02	0501067379	MAT REAR PROTECTION	01
03	0503010237	3/8" X 1" BOLT	09
04	0503010025	3/8 SPRING WASHER	16
05	0503010026	3/8" NUT	07
06	0511060909	PROTECTION REAR SUPPORT FIXER	01
07	0503010920	1/2" X 1.1/2" BOLT	03
08	0511017302	FLAT WASHER	03
09	0503011440	SPRING WASHER	03
10	0503010060	1/2" NUT	03
11	0503010386	CABLE	01
12	0501010984	FLAT WASHER	06
13	0501069840	REAR COVER PROTECTION	01
14	0501017574	0.3" X 2.7" AXLE	02
15	0503010140	1/8" X 3/4" COTTERPIN	02
16	0501019460	REAR PROTECTION	01
17	0503010849	3/8" X 1-1/2" BOLT	01
18	0501067361	LEFT FLOW DIVIDING	01
19	0501067203	RIGHT FLOW DIVIDING	01
20	0511016530	TENSIONER OPEN	01
21	0501067368	DIVISOR REGULATOR OPEN	02
22	0511014562	PROTECTION SMALLER	01
23	0511011866	PROTECTION LARGER	01
24	0511016575	RUBBER COVER FIXER	02



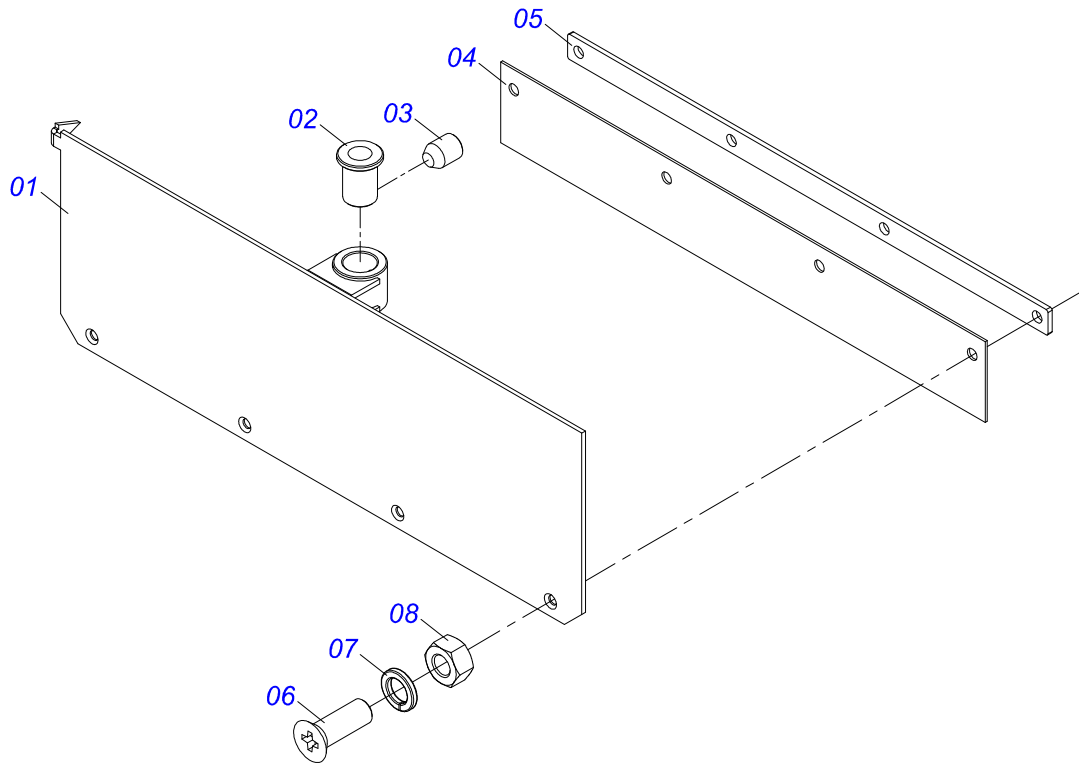
Item	Code	Description	QT
01	0511056777	BUCKET	01
02	0501067591	DRIVE THE FERTILIZER TRANSPORT	01
03	0511055834	SUPPORT SLUICE VALVE ASSY	01
03A	0501054846	SLUICE VALVE SUPPORT	01
04	0501054847	SLUICE VALVE COVER ASSY	01
05	0561014861	REGULATOR	01
06	0521011107	CRANK BODY	01
07	0503010257	1/8" X 1" COTTERPIN	01
08	0503030878	LEVER CRANK	01
09	0511013015	SLEEVE	01
10	0503010561	SPRING PIN	01
11	0503030751	REGULATOR PLATE	01
12	0503010751	C3/8" X 1.1/4" HEX BOLT G.5	04
13	0501010984	FLAT WASHER	08
14	0503010025	3/8 SPRING WASHER	04
15	0503010026	3/8" NUT	04



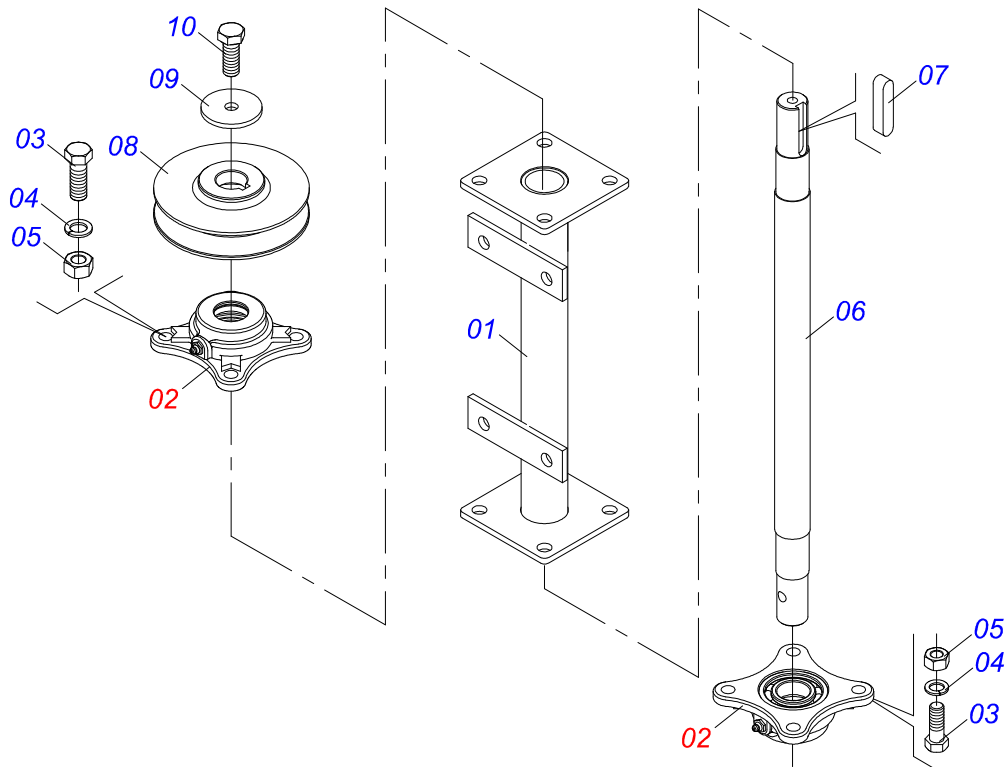
Item	Code	Description	QT
01	0521067015	SUPPORT PROTETION DISC	02
02	0503011267	5/8" X 1.1/2" BOLT	02
03	0503011445	SPRING WASHER	02
04	0503010013	5/8" NUT	02



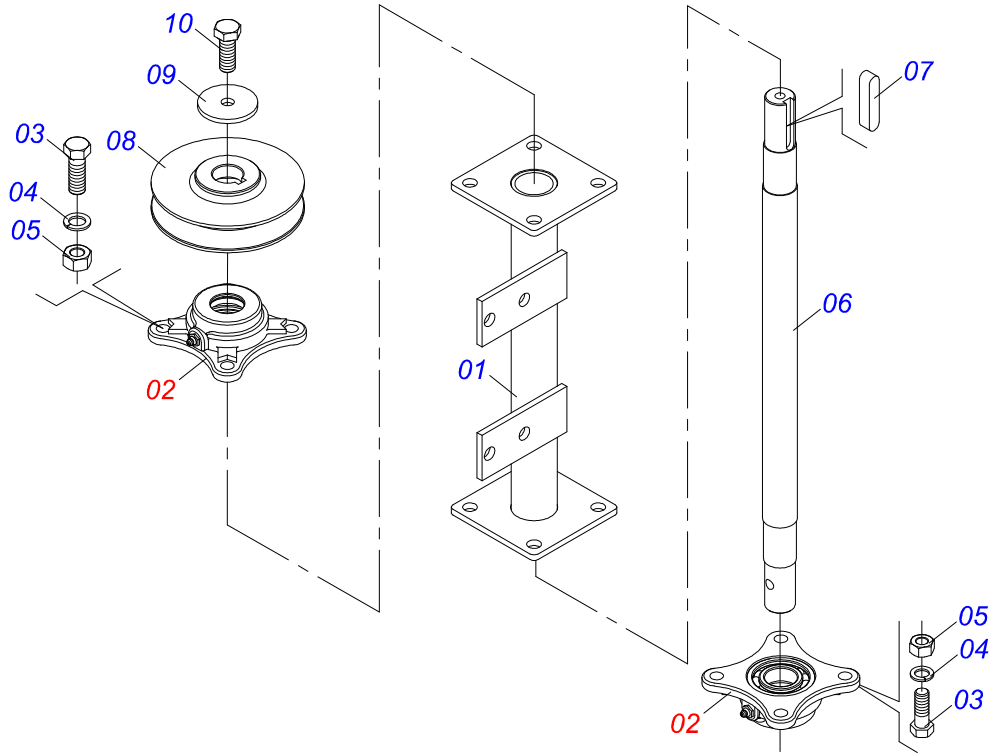
Item	Code	Description	QT
01	0501069841	SLUICE VALVE SUPPORT	01
02	0503010371	5/16" X 1" BOLT	02
03	0503011444	SPRING WASHER	02
04	0503010337	5/16" NUT	02
05	0511059094	SHAFT BEARING THREADED	01



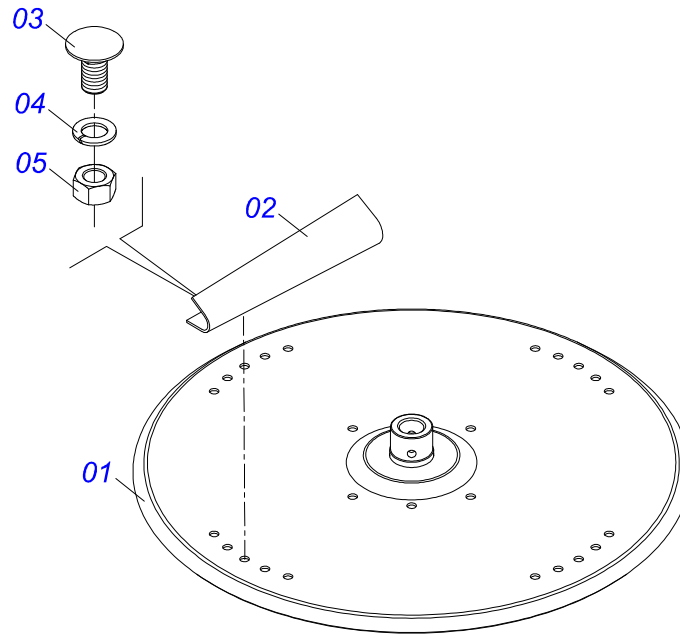
Item	Code	Description	QT
01	0501069181	SLUICE VALVE COVER	01
02	0501019831	ADJUSTING NUT	01
03	0503011148	3/8" X 1/2" BOLT	01
04	0511014562	PROTECTION SMALLER	01
05	0511016575	RUBBER COVER FIXER	01
06	0503010546	5/16" X 7/8" BOLT	04
07	0503011444	SPRING WASHER	04
08	0503010337	5/16" NUT	04



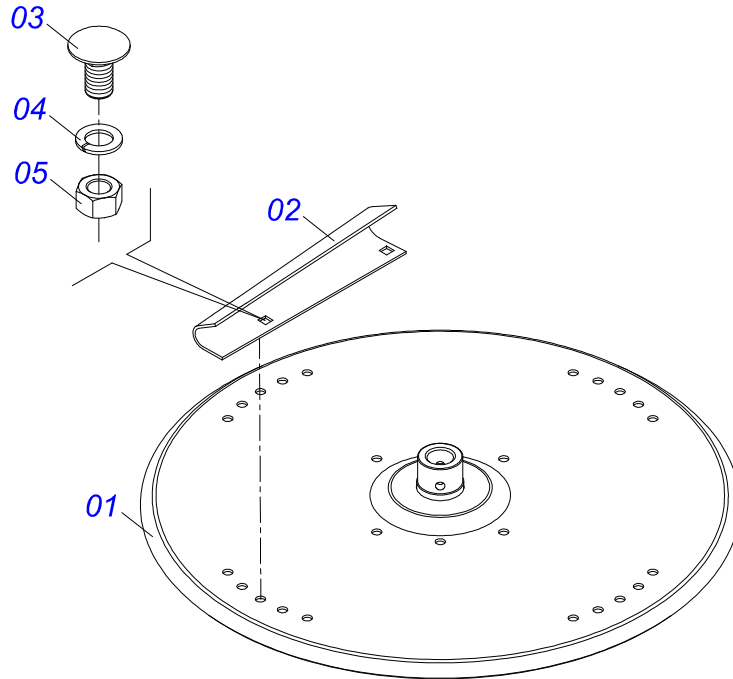
Item	Code	Description	QT
01	0501067387	DISTRIBUTOR RIGHT SUPPORT DISC	01
02	0501048000	AGRICULTURAL BEARING	02
03	0503011102	PARAFUSO 7/16 UNC X 1.1/4 C S G.5	08
04	0503011446	SPRING WASHER	08
05	0503010244	7/16" NUT	08
06	0511016489	DISTRIBUTOR AXLE CONDUCTOR DISC	01
07	0501010536	KEYWAY SQUARE	01
08	0502011361	REEL 1C 5.5" X 1.1" PULLEY	01
09	0511014052	FLAT WASHER	01
10	0503010355	7/16" X 1" BOLT	01



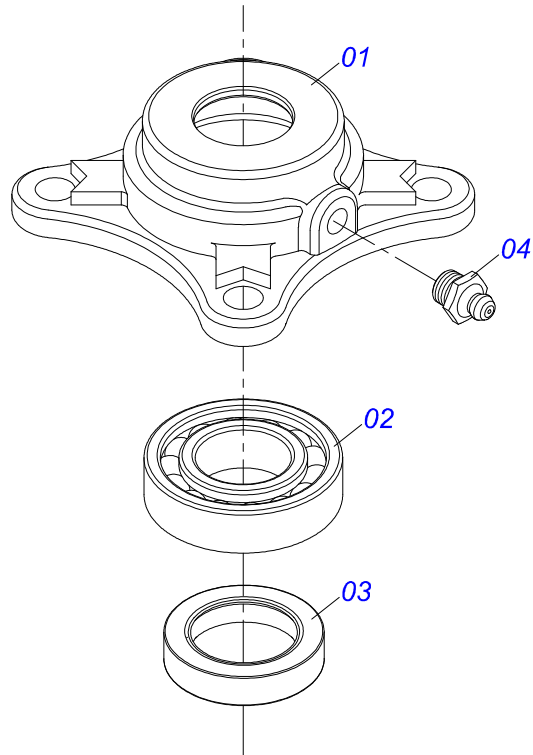
Item	Code	Description	QT
01	0501067388	DISTRIBUTOR LEFT SUPPORT DISC	01
02	0501048000	AGRICULTURAL BEARING	02
03	0503011102	PARAFUSO 7/16 UNC X 1.1/4 C S G.5	08
04	0503011446	SPRING WASHER	08
05	0503010244	7/16" NUT	08
06	0511016489	DISTRIBUTOR AXLE CONDUCTOR DISC	01
07	0501010536	KEYWAY SQUARE	01
08	0502011361	REEL 1C 5.5" X 1.1" PULLEY	01
09	0511014052	FLAT WASHER	01
10	0503010355	7/16" X 1" BOLT	01



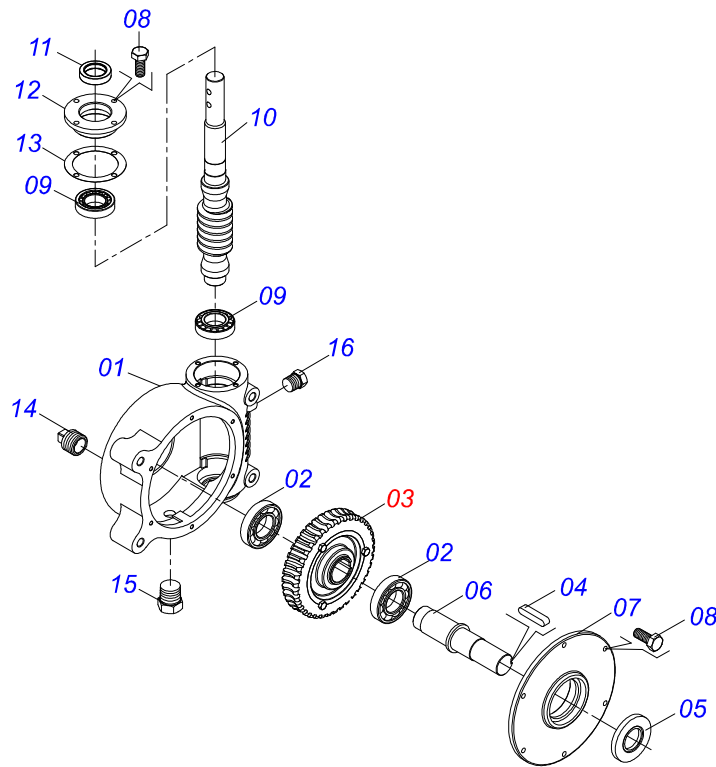
Item	Code	Description	QT
01	0501069605	DISTRIBUTOR DISC	01
02	0521018637	RH FLIP	04
03	0503013029	3/8" X 3/4" BOLT	08
04	0503011443	SPRING WASHER	08
05	0503010026	3/8" NUT	08



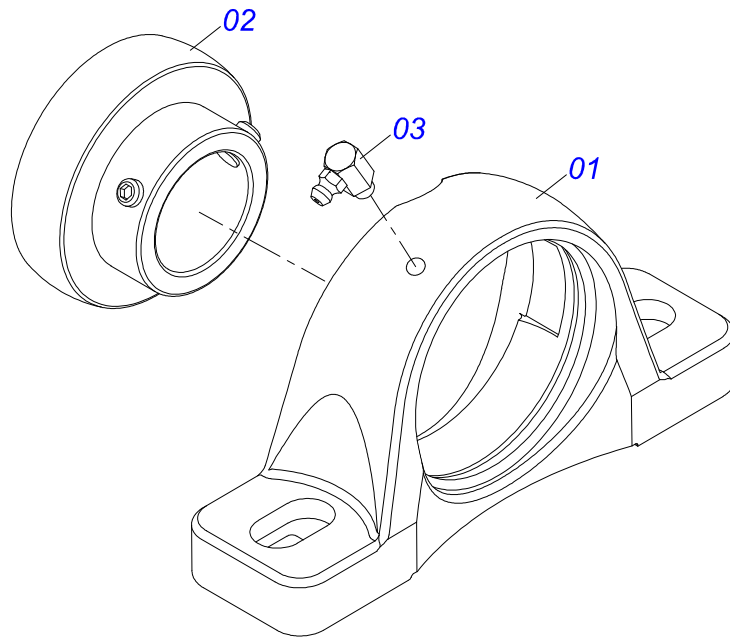
Item	Code	Description	QT
01	0501069605	DISTRIBUTOR DISC	01
02	0521018638	LH FLIP	04
03	0503013029	3/8" X 3/4" BOLT	08
04	0503011443	SPRING WASHER	08
05	0503010026	3/8" NUT	08



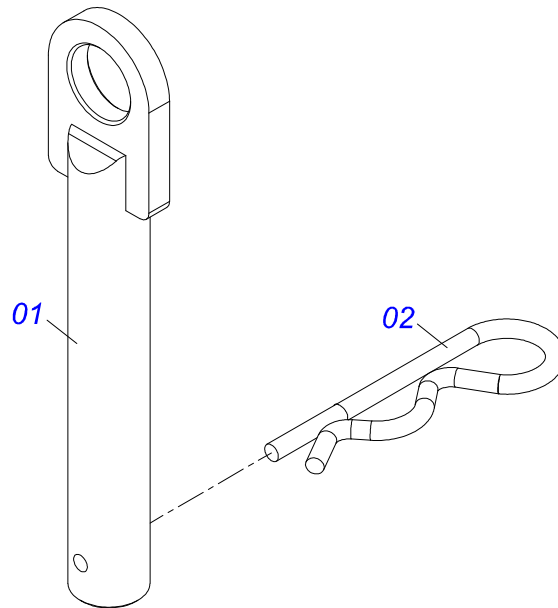
Item	Code	Description	QT
01	0502011442	AGRICULTURAL HOUSING BEARING	01
02	0503010276	6206 BALL BEARING	01
03	0503011865	SEAL	01
04	0503010002	1800 GREASE FITTING	01



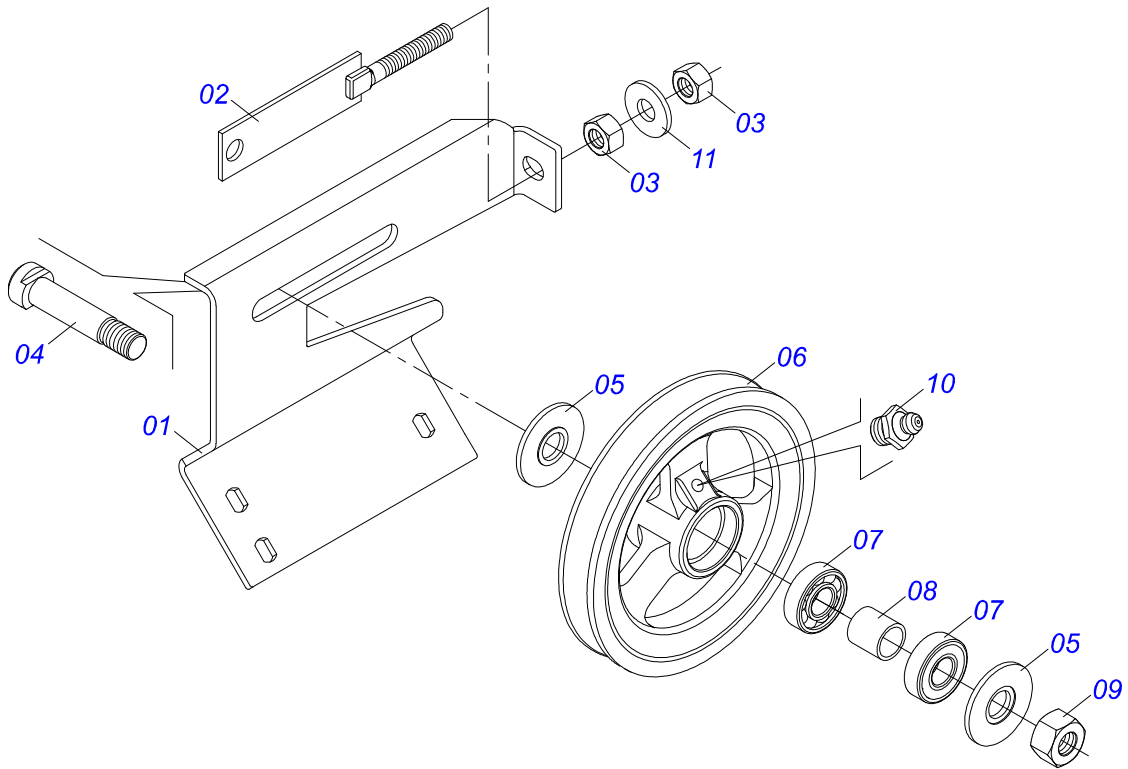
Item	Code	Description	QT
01	0502011456	REDUCTION BOX	01
02	0503011095	6208 BALL BEARING	02
03	0501051774	38Z CONICAL	01
04	0503011304	1/2" X 2.4" KEYWAY SQUARE	01
05	0503010818	02675-BRG SEAL	01
06	0521010996	AXLE	01
07	0502020556	LARGER COVER	01
08	0503010240	5/16" X 3/4" BOLT	10
09	0503010016	BEARING LM	02
10	0521010997	SCREW THEAD	01
11	0503011171	00912-BRG SEAL	01
12	0502011457	SMALLER COVER	01
13	0503030981	102 X 75,5 X 0,10 JOINT	01
14	0521011023	PLUG	01
15	0503031604	1/2" BSP PLUG	01
16	0503010856	OIL PLUG	01



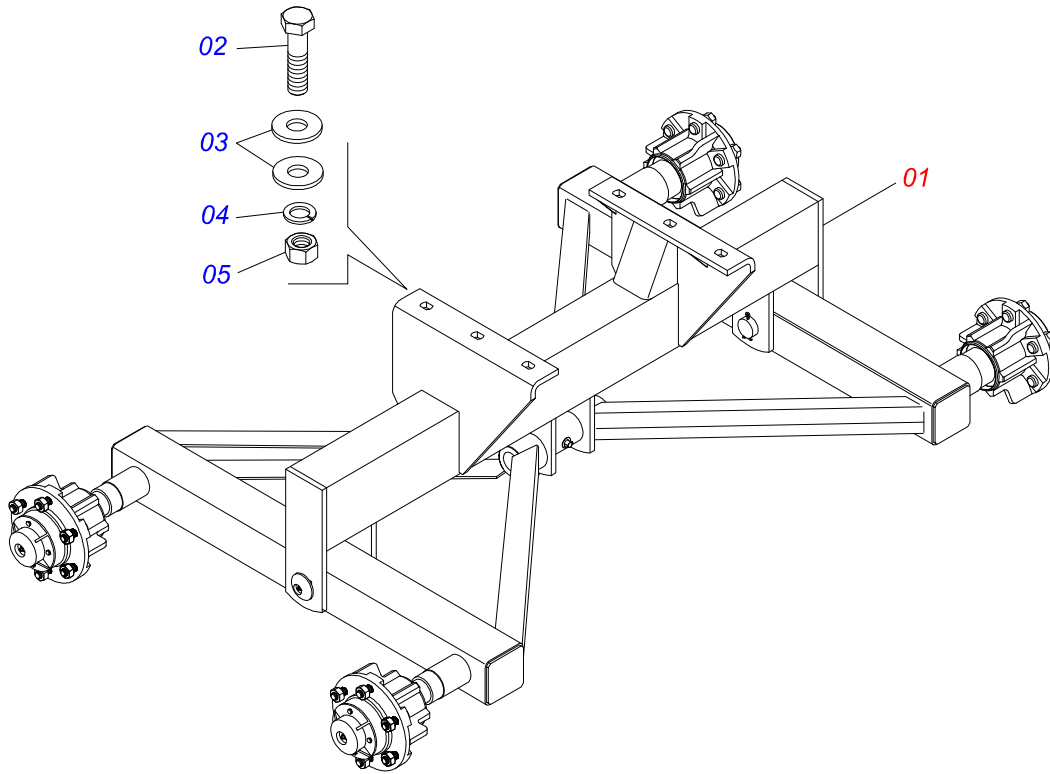
Item	Code	Description	QT
01	0502011050	AGRICULTURAL HOUSING BEARING	01
02	0503011163	1108/UCR BEARING ASSY	01
03	0503010004	1890 GREASE FITTING	01



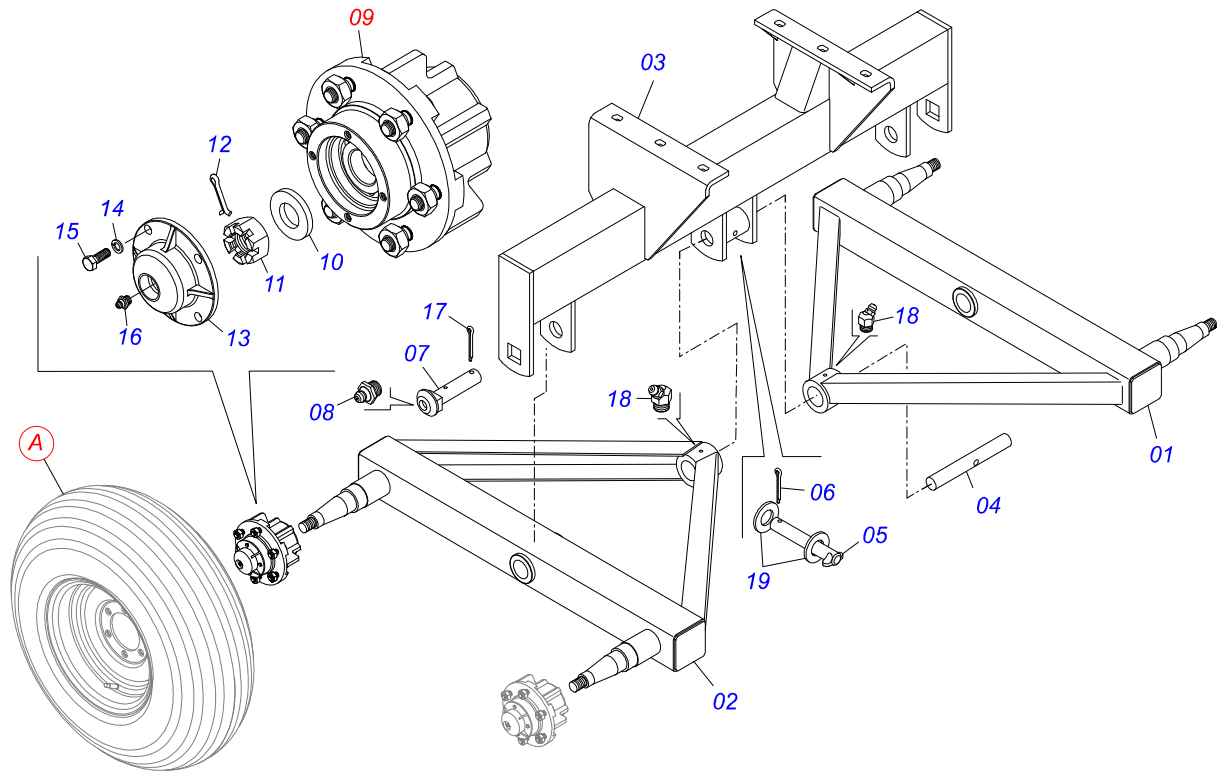
Item	Code	Description	QT
01	0501068989	COUPLING SHAFT	01
03	0503031035	HAIR PIN	01



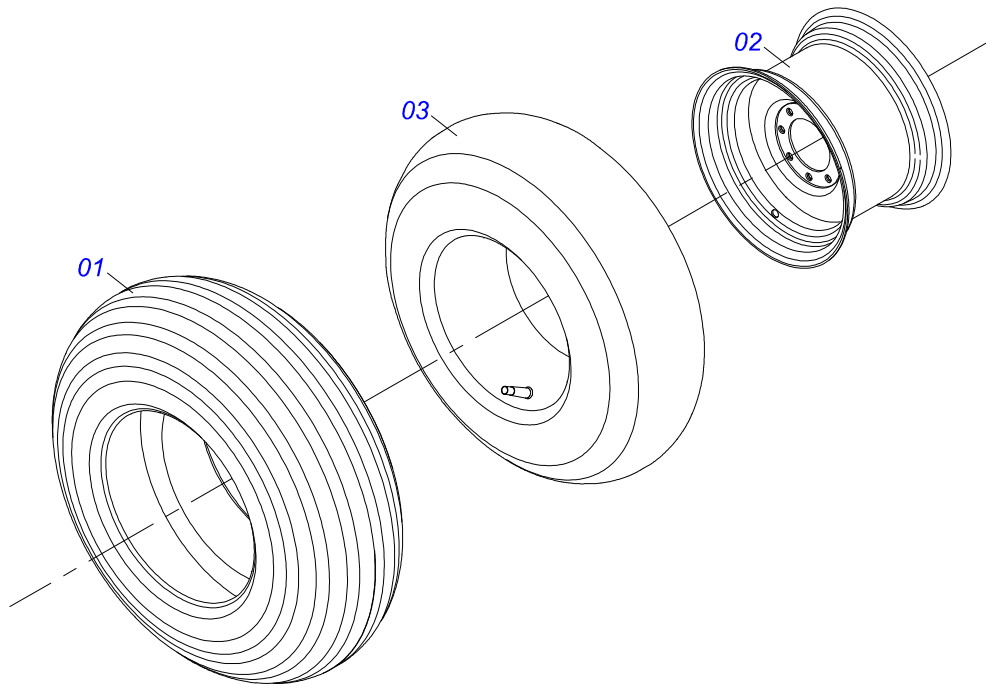
Item	Code	Description	QT
01	0501066100	SUPPORT	01
02	0501065968	1C X 8.3 PULLEY TENSIONER	01
03	0503010013	5/8" NUT	02
04	0511012362	TIGHTENER AXLE PULLEY	01
05	0501019288	WASHER SPACER	02
06	0502011366	REEL 1C 8.3" X 1.6" PULLEY	01
07	0503010690	6204 BALL BEARING	02
08	0521010497	0.8" X 1.1" X 1.1" SPACER	01
09	0503010014	3/4" NUT	01
10	0503010002	1800 GREASE FITTING	01
11	0501012140	FLAT WASHER	01



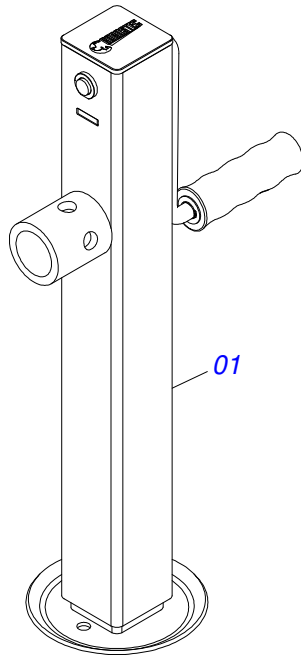
Item	Code	Description	QT
01	0501047998	BELL CRANK FIXATION SUPPORT ASSY	01
02	0503010233	5/8" X 2-1/2" BOLT	06
03	0501012140	FLAT WASHER	12
04	0503011445	SPRING WASHER	06
05	0503010013	5/8" NUT	06



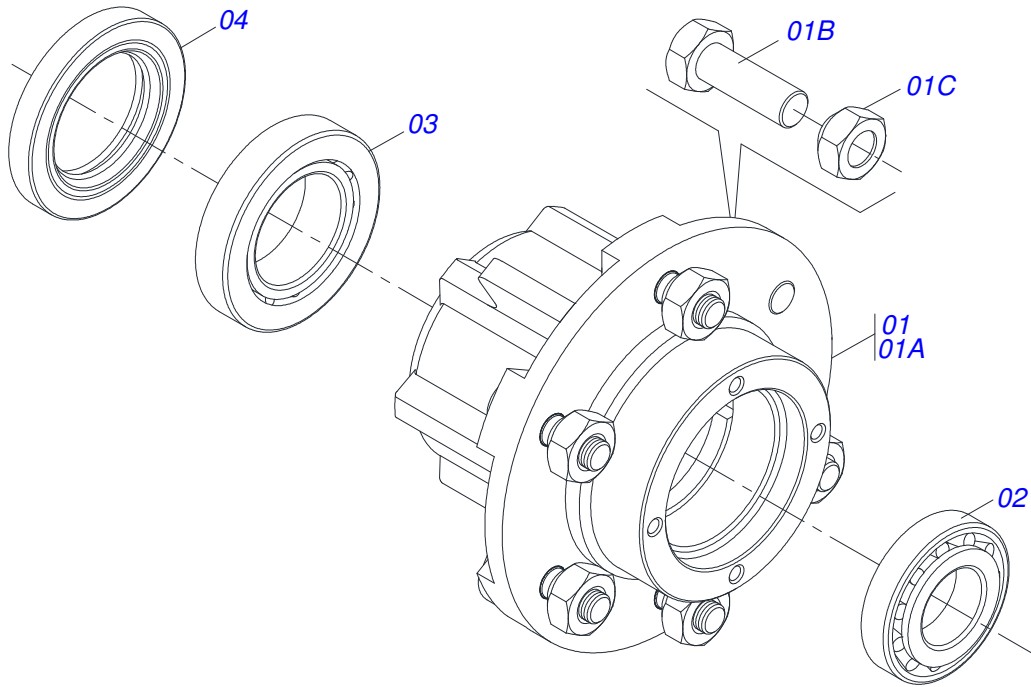
Item	Code	Description	QT
01	0501069182	RIGHT ROCKER ARM	01
02	0501069183	LEFT ROCKER ARM	01
03	0521062814	BELL CRANK SUPPORT FIXATION	01
04	0521011118	COUPLING SHAFT	01
05	0521010553	0.5" X 3" COUPLING SHAFT	01
06	0503010297	5/32" X 1.1/4" COTTER PIN	01
07	0521010956	PIVOT SHAFT	02
08	0503010002	1800 GREASE FITTING	02
09	0501051142	CARRYING WHEEL HUB	04
10	0501016545	FLAT WASHER	04
11	0503030009	1" CASTLE NUT	04
12	0503010131	3/16" X 1-1/2" COTTERPIN	04
13	0502020591	PROTECCION COVER	04
14	0503011444	SPRING WASHER	16
15	0503010358	5/16" X 5/8" BOLT	16
16	0503010002	1800 GREASE FITTING	04
17	0503010534	3/8 X 2-1/2 COTTERPIN	02
18	0503010003	1845 GREASE FITTING	02
19	0511017302	FLAT WASHER	02



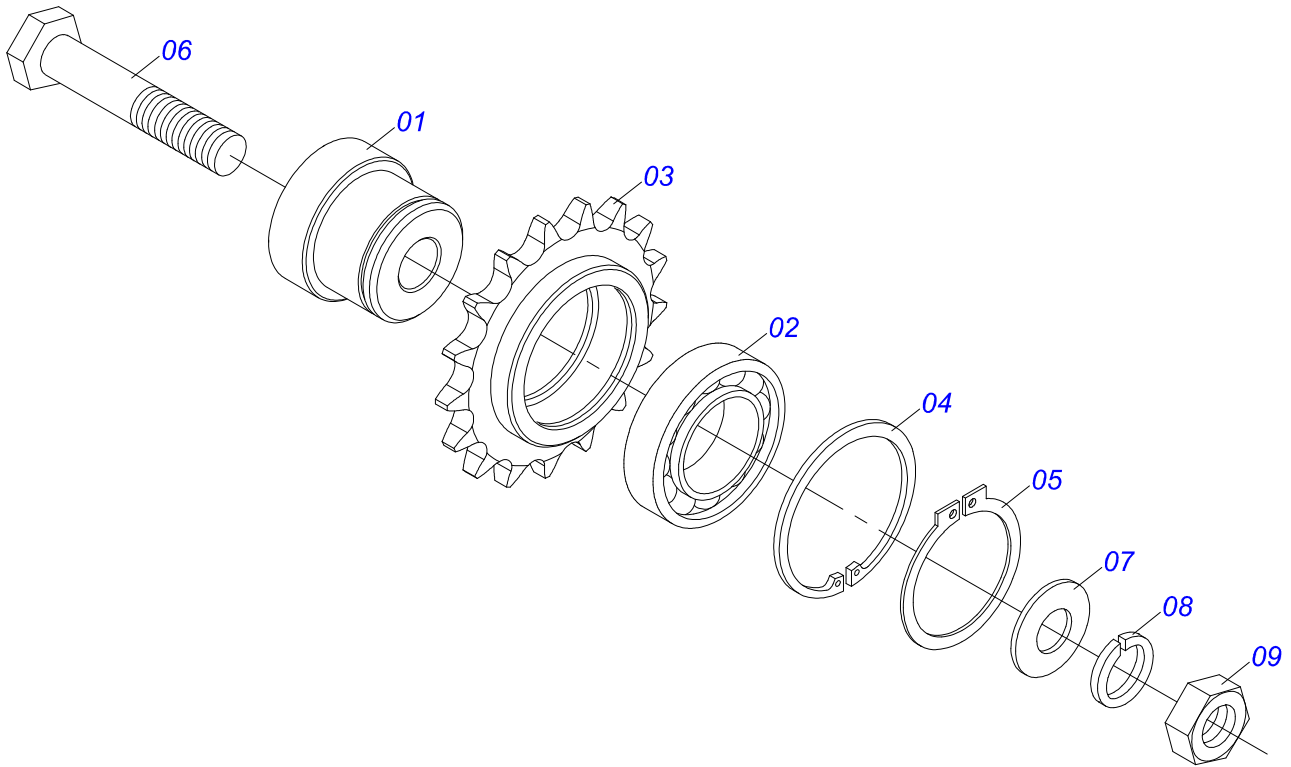
Item	Code	Description	QT
001	0503010858	CANVAS TIRE	01
002	0503011468	WEEL	01
003	0503010860	CAMARA AR 11L 15	01



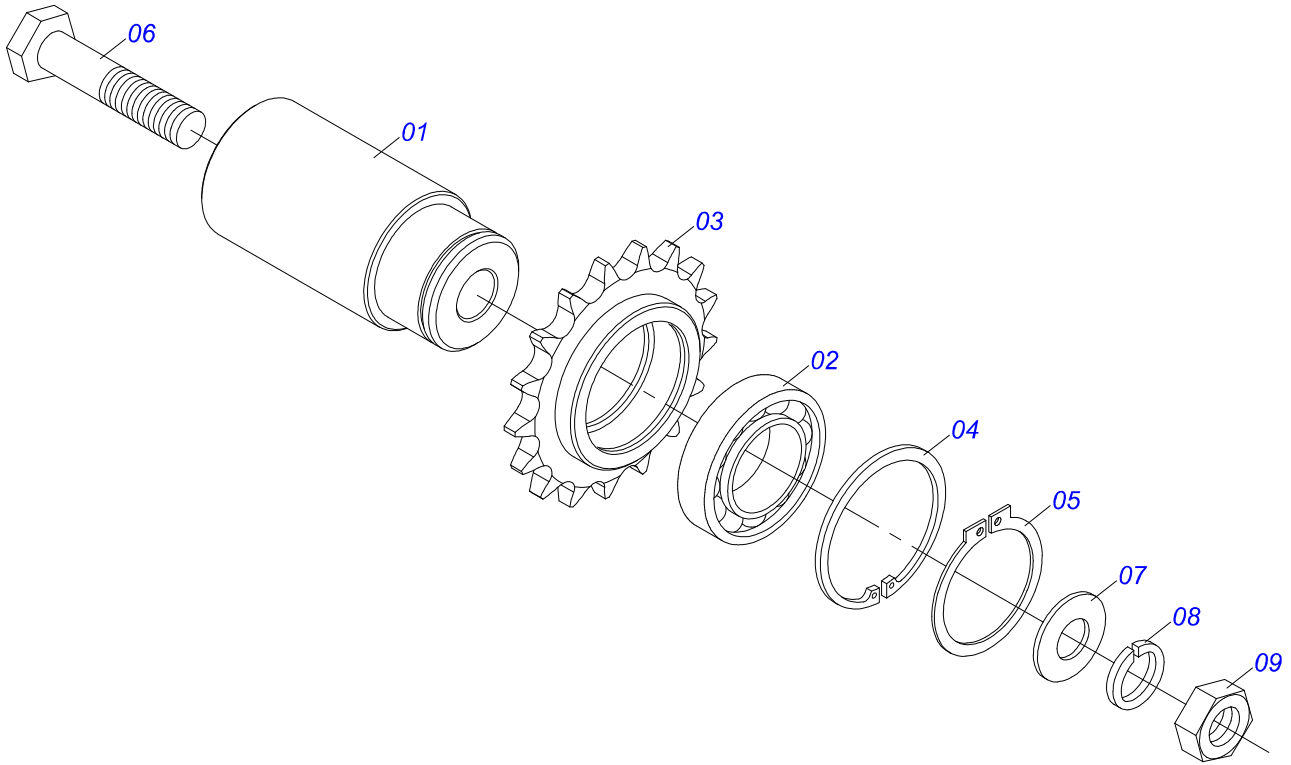
Item	Code	Description	QT
01	0503062157	HEADER JACK	01



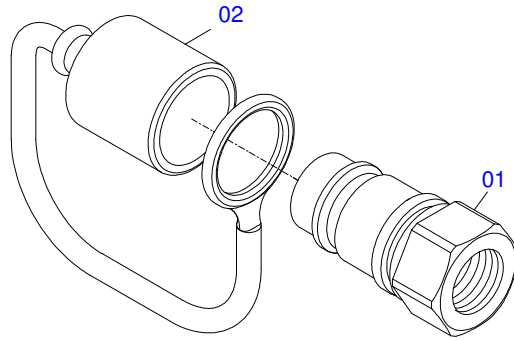
Item	Code	Description	QT
01	0501110728	WHEEL HUB	01
01A	0502011121	CARRYING WHEEL HUB	01
01B	0501010127	9/16" X 1-7/8" LUG BOLT	06
01C	0503010035	9/16" CONIC NUT	06
02	0503010037	30207 ROLLER BEARING	01
03	0503010006	32210 ROLLER BEARING	01
04	0503012928	SEAL	01



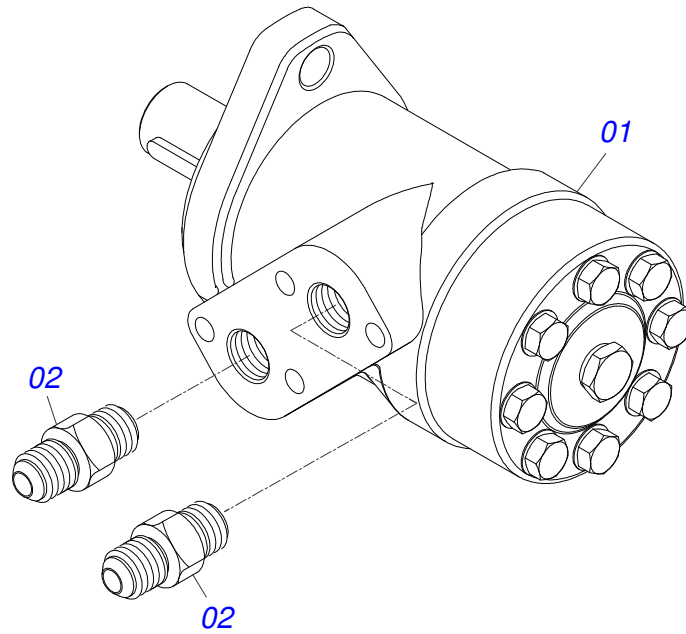
Item	Code	Description	QT
01	0571015185	AXLE TIGHTENER 26 DCA	01
02	0503011410	ROLLER BEARING	01
03	0511061836	17Z GEAR	01
04	0503011105	SEAL RING	01
05	0503010406	501025 CLAMPING RING (FOR AXLE)	01
06	0501010096	3/8" X 2" BOLT	01
07	0501010984	FLAT WASHER	01
08	0503010025	3/8 SPRING WASHER	01
09	0503010026	3/8" NUT	01



Item	Code	Description	QT
01	0571015186	AXLE TIGHTENER 26 DCA	01
02	0503011410	ROLLER BEARING	01
03	0511061836	17Z GEAR	01
04	0503011105	SEAL RING	01
05	0503010406	501025 CLAMPING RING (FOR AXLE)	01
06	0503010718	3/8" X 3-1/2" BOLT	01
07	0501010984	FLAT WASHER	01
08	0503010025	3/8 SPRING WASHER	01
09	0503010026	3/8" NUT	01



Item	Code	Description	QT
01	0503011627	QUICK CONNECTION (MALE) AGR 1/2 NPT	01
02	0503011882	QUICK CONNECTION COVER	01



Item	Code	Description	QT
01	0503016055	MOTOR HYDRAULIC PARKER OMP 80 ISOBUS	01
02	0511014065	7/8" NF X R1/2NPT X 52 NIPPLE	02



email: civemasa@civemasa.com.br

www.civemasa.com.br

Phone: +55 16.3382.8222

Fax: +55 16.3382.8355

MARCHESAN IMPLEMENTOS E MÁQUINAS AGRÍCOLAS "TATU" S.A.

Av. Marchesan, 1979 - Post Office box, 131 - Cep 15994-900 - Matão - Sp - Brasil

CNPJ 52.311.289/0001-63 | Inst. Est.441.000.151.114

Technical Publications: Elaboration

JOÃO VIRGINIO ROCHA

Technical Publications: Revision

ALESSANDRA PATRICIA KAWAHARA CARRILI

Contact Catálogo:

E-mail = jgaspari@marchesan.com.br

ORIGINAIS PARTS
CIVEMASA

