

PARTS CATALOGUE

SUGAR CANE COVERER

**CCC 2L E 3L BC/BP S-0613
REV/00**

Code: 0501091564



Series: S-0613

Review: FEVEREIRO/16

**ORIGINAL PARTS
CIVEMASA**

civemasa

PRODUCTS

Code	Description
0120310047	CCC-BP 2L 4D 2R CB T300 S-0613
0120310048	CCC 3L 6D 3R TANQUE ESP 1,5/1,8 BE
0120310049	CCC-BP 2L 4D 2R T300 S-0613
0120310050	CCC-BP 2L 4D S-0613
0120310051	CCC 2L 4D 2R S/TANQUE S-0613
0120310052	CCC 2L 4D S/TANQUE S-0613
0120310053	CCC 2L 4D 2R CB S/TANQUE S-0613
0120310054	CCC 3L 6D 3R S/TANQUE S-0613
0120310055	CCC-BP 3L 6D 3R CB S-0613
0120310056	CCC-BP 3L 6D 3R S-0613
0120310001	CCC 2L 4D 2R S/TANQUE DESMON
0120310002	CCC 2L 4D 2R T200 RC 6080047
0120310003	CCC 3L 6D 3R T DESMON
0120310004	CCC 3R 18X3,0L T200 RC 6080038
0120310005	CCC 3L 6D 3R T ESPC REDUZIDO DESMON
0120310006	CCC 3L 6D 3R ESPC REDUZIDO DESMON
0120310012	CCC 2R CD 18X3,0 C/T300L 6080175
0120310013	CCC 2L 4D T300L DESMON
0120310014	CCC 2R CD 18X3,0 C/T300L DES S/SOLD
0120310015	CCC 3L 6D DESMON
0120310018	CCC 3R DL18X3,0 T300L 6080258
0120310019	CCC 3R 18X3,0L T300L S/RC 6080267
0120310020	CCC 2R DL18X3,0 T300L S/ROL 6080249
0120310021	CCC 3R DL 18X3,0 T300L 6080285
0120310023	CCC 2L-SA 310L RC DESMON 6080294
0120310024	CCC-BP 3L 18X3,0L T300 RC 6080312
0120310025	CCC-BP 2L 18X3,0L T300 RC 6080321
0120310026	CCC-BC 2L 18X3,0L T300 RC 6080330
0120310027	CCC-BC 3L 18X3,0L T300 RC 6080349
0120310028	CCC-BP 2L 18X3,0L T300 6080359
0120310029	CCC-BC 2L 18X3,0L T300 RCB 6080368

ATTENTION: **IMPORTANT**

CIVEMASA RESERVES THE RIGHT AT ANY TIME TO MAKE IMPROVEMENTS IN THE DESIGN, MATERIAL OR SPECIFICATIONS OF MACHINERY, EQUIPMENT OR PARTS WITHOUT THEREBY BECOMING LIABLE TO MAKE SIMILAR CHANGES IN MACHINERY, EQUIPMENT OR PARTS PREVIOUSLY SOLD.

PRODUCTS

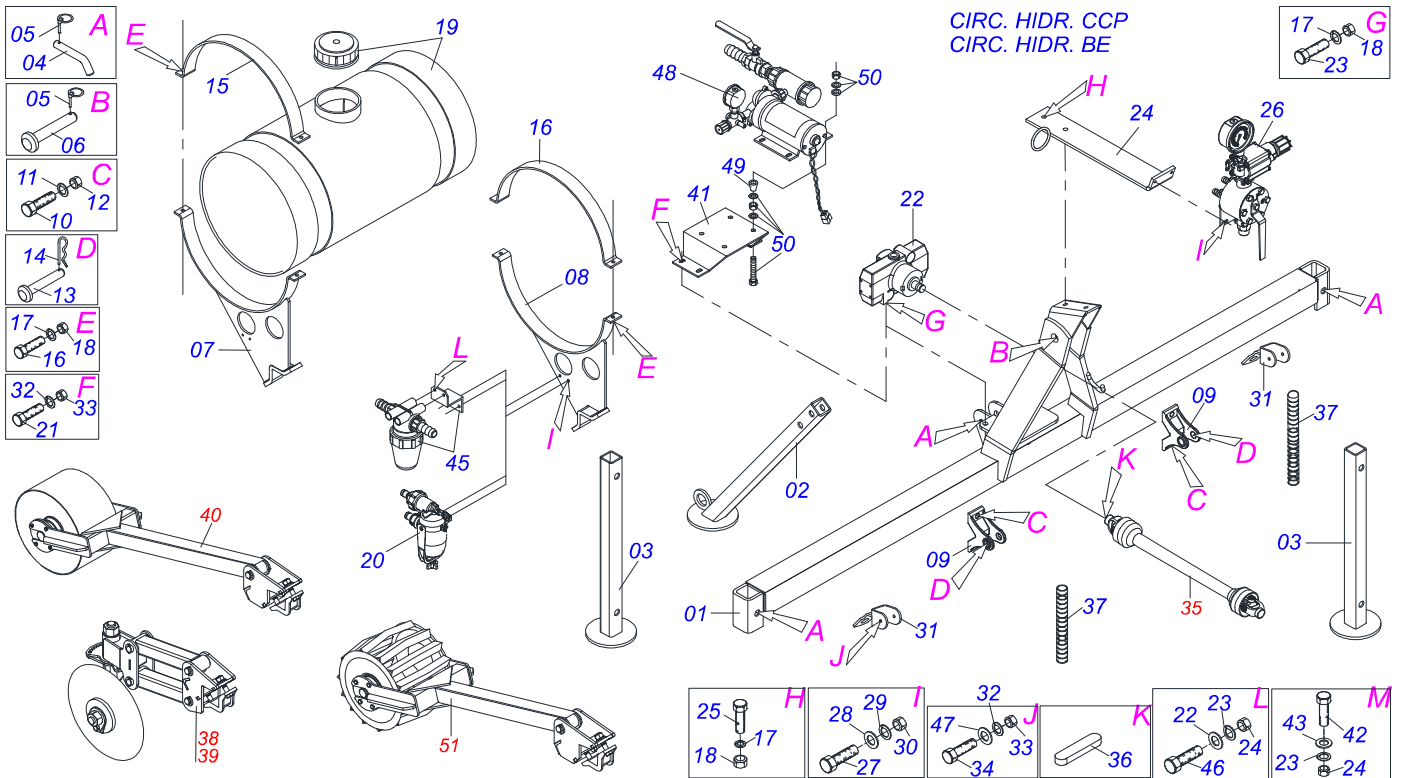
0120310030	CCC 2R 18X3,0L T300 RCB 6080377
0120310031	CCC-BP 2L 18X3,0L T300 RCB S-0606
0120310032	CCC-BC 3L 18X3,0L T300 6080395
0120310033	CCC 3R DL18X3,0 T300L S/R 6080404
0120310034	CCC 3R DL18X3,0 S/TANQUE RC 6080413
0120310035	CCC-BP 3L 18X3,0 T300 S/R 6080431
0120310036	CCC-BP 3L 18X3,0L T300 S/R 6080440
0120310037	CCC-BP 3L 18X3,0L T300 RC 6080459
0120310038	CCC-BP 3L 18X3,0L T300 RCB 6080469
0120310039	CCC 3R 18X3,0L T300 RCB 6080478
0120310040	CCC 3L 18X3,0L S/T C/RCB 6080487
0120310041	CCC-BP 3L 18X3,0L T300 RCB 6080496
0120310042	CCC 2R 18X3,0L S/T RCB 6080505
0120310043	CCC 2L 4D 2R CB S/TANQUE 61860019
0120310044	CCCC 2L 18X3,0L T300 RCB 61860029
0120310045	CCC-BC 3L 18X3,0L T300 RC E1,0
0120310046	CCC-BP 3L 18X3,0L T300 RC

ATTENTION: **IMPORTANT**

CIVEMASA RESERVES THE RIGHT AT ANY TIME TO MAKE IMPROVEMENTS IN THE DESIGN, MATERIAL OR SPECIFICATIONS OF MACHINERY, EQUIPMENT OR PARTS WITHOUT THEREBY BECOMING LIABLE TO MAKE SIMILAR CHANGES IN MACHINERY, EQUIPMENT OR PARTS PREVIOUSLY SOLD.

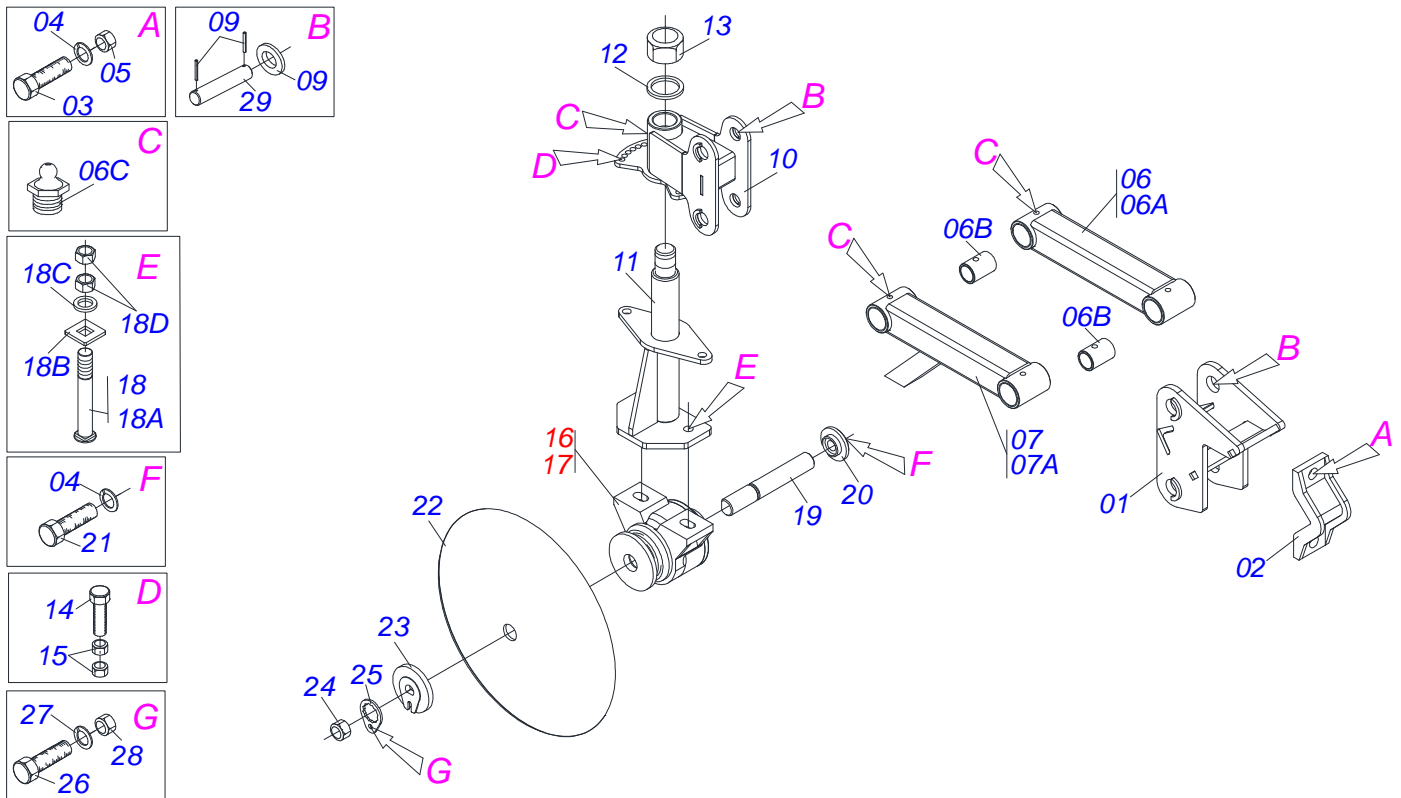
INDEX

0909090866	FRAME CCC 02/03 L BC/BP S-0613	1
0909092775	COVER DISC (OPTIONAL)	2
0909092777	ROLLER COMPACTOR	3
0909092776	ROLLER COMPACTOR	4
0511045298	DRIVE SHAFT	5
0909092773	HYDRAULIC CIRCUIT CCP	6
0909092966	HYDRAULIC CIRCUIT	7
0909091458	DM OL 151 1.1/4" AGRICULTURAL BEARING	8
0909092795	QUICK COUPLING	9



Item	Code	Description	CARDAN/ BE	
01	0521063429	FRAME	01	01
01.	0521064427	FRAME	01	01
02	0511067894	CENTRAL PLOUGH SUPPORT	01	01
03	0511067895	SIDE PLOUGH SUPPORT	02	02
04	0501011075	PIN	04	04
05	0503030085	LOCK PIN	05	05
06	0521010578	COUPLING SHAFT	01	01
07	0511067893	TANK SUPPORT FIXATION	01	01
08	0511067958	TANK FIXER RIGHT SUPPORT	01	01
09	0502011204	FRAME HITCH	02	02
10	0503010797	3/4" X 4" BOLT	04	04
11	0503010023	SPRING WASHER	04	04
12	0503010014	3/4" NUT	04	04
13	0521010595	1.1" X 4.3" COUPLING SHAFT	02	02
14	0503031035	HAIR PIN	02	02
15	0551012147	TANK FIXER RIBBON	02	02
16	0503010740	1/2" X 2" BOLT	04	04
17	0503010019	1/2" SPRING WASHER	10	10
18	0503010060	1/2" NUT	10	10
19	0503061627	TANK ASSY	01	01
20	0503014263	SUCTION FILTER	01	00
20.	0503012997	LINE FILTER	00	01
21	0503010461	1/4" X 1" BOLT	02	02
22	0503061618	JP402 PUMP	01	00
23	0503010834	1/2 X 1 BOLT	04	00
24	0511068377	SUPPORT CONTROL VALVE	01	00
25	0503014007	1/2" X 1-1/4" BOLT	02	00
26	0503013908	COMMAND JACTO	01	00
27	0503010371	5/16" X 1" BOLT	02	00
28	0501010984	FLAT WASHER	02	10
29	0503010179	SPRING WASHER	02	06
30	0503010337	5/16" NUT	02	05
31	0511068483	SPRING SUPPORT	02	02

Item	Code	Description	CARDAN/ BE	
32	0503010143	SPRING WASHER	02	02
33	0503010144	1/4" NUT	02	02
34	0503010373	1/4" X 2" BOLT	02	02
35	0511045298	DRIVE SHAFT	01	00
36	0503014264	5/16 X 30 KEYWAY	01	00
37	0503014260	22 X 300 SPRING	02	02
38	0511045335	RIGHT DISC COVER	02	02
39	0511045336	LH DISC COVER	02	02
40	0511045337	PRESS ROLLER ASSY	02	00
41	0551016584	ELECTRIC OIL PUMP SUPPORT	00	01
42	0503010365	NUT	00	04
43	0501010694	FLAT WASHER	00	10
45	0503012997	LINE FILTER	00	01
46	0503010937	5/16" X 3" BOLT	00	02
47	0511017303	FLAT WASHER	00	02
48	0503061686	PUMP ASSY	00	01
49	0503012986	VIBRATION ABSORBER	00	04
50	0503012995	PUMP FIXER BOLT ASSY	00	04
51	0511045642	PRESSURE ROLLER	00	02



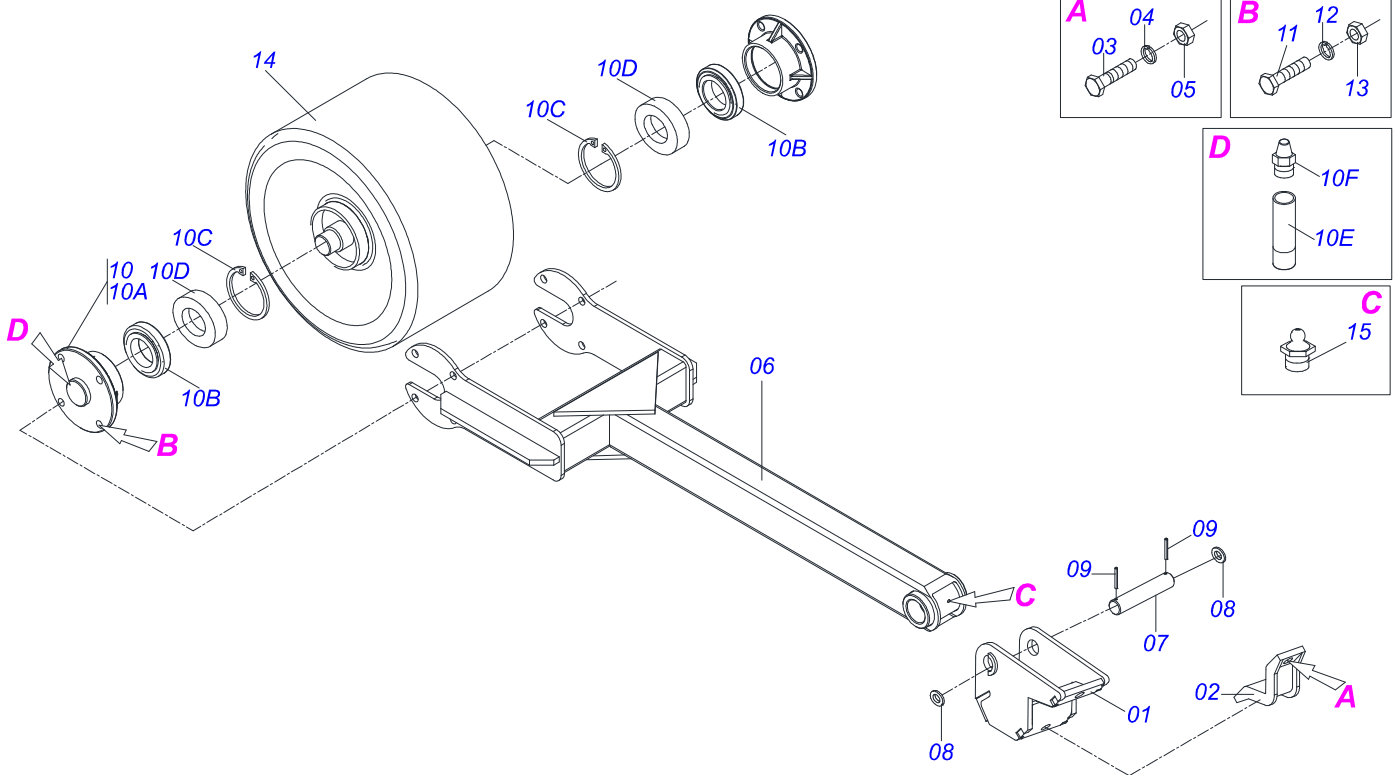
Item	Code	Description	DIR ESQ
00	0511045335	RIGHT DISC COVER	02 00
00A	0511045336	LH DISC COVER	00 02
01	0511067891	PARALELOGRAMA FIXER SUPPORT	01 01
02	0502010819	TRACTOR HITCH FIXER	01 01
03	0503010901	3/4UNC 3.1/2 BOLT	02 02
04	0503010023	SPRING WASHER	03 03
05	0503010014	3/4" NUT	02 02
06	0501052393	ROCKING DRIVER	02 01
06A	0511060990	ROCKING DRIVER	02 01
06B	0521012122	DRIVER ROCKING SLEEVE SUPPORT	04 04
06C	0503010002	GRAXEIRA 1800	03 03
07	0501057760	ROCKING DRIVER ASSY	00 01
07A	0511068854	LOWER ROCKING DRIVER	00 01
08	0521011132	FLAT WASHER	04 04
09	0503010839	03"X 0.6" SPRING PIN	08 08
10	0511067959	SUPPORT ADJUSTING DISC COVER	01 01
11	0511063098	DISC SUPPORT UPPER	01 01
12	0521012120	WASHER	01 01
13	0501010110	1.1/2" NUT	01 01
14	0503011195	7/16" X 1.3/4" BOLT	02 02
15	0503010244	7/16" NUT	04 04
16	0501049011	BEARING GUARD	00 01
17	0501049010	BEARING GUARD	01 00
18	0501048963	5/8" X 2-1/2" BOLT ASSY	02 02
19	0521015310	1.1/4 UNC X 206 AXLE	01 01
20	0521015311	WASHER	01 01
21	0501010098	HEX BOLT 3/4 UNC X 2 C S G.5 ZN	01 01
22	0601025002	18" X 0.1" PLAIN DISC BLADE	01 01
23	0502010835	1-1/4" EXTERNAL AXLE WASHER	01 01
24	0501010087	1.1/4" NUT	01 01
25	0501010455	1.1/4" NUT LOCK	01 01
26	0501010161	1/2" X 1.1/4" BOLT	01 01
27	0503010019	1/2" SPRING WASHER	01 01



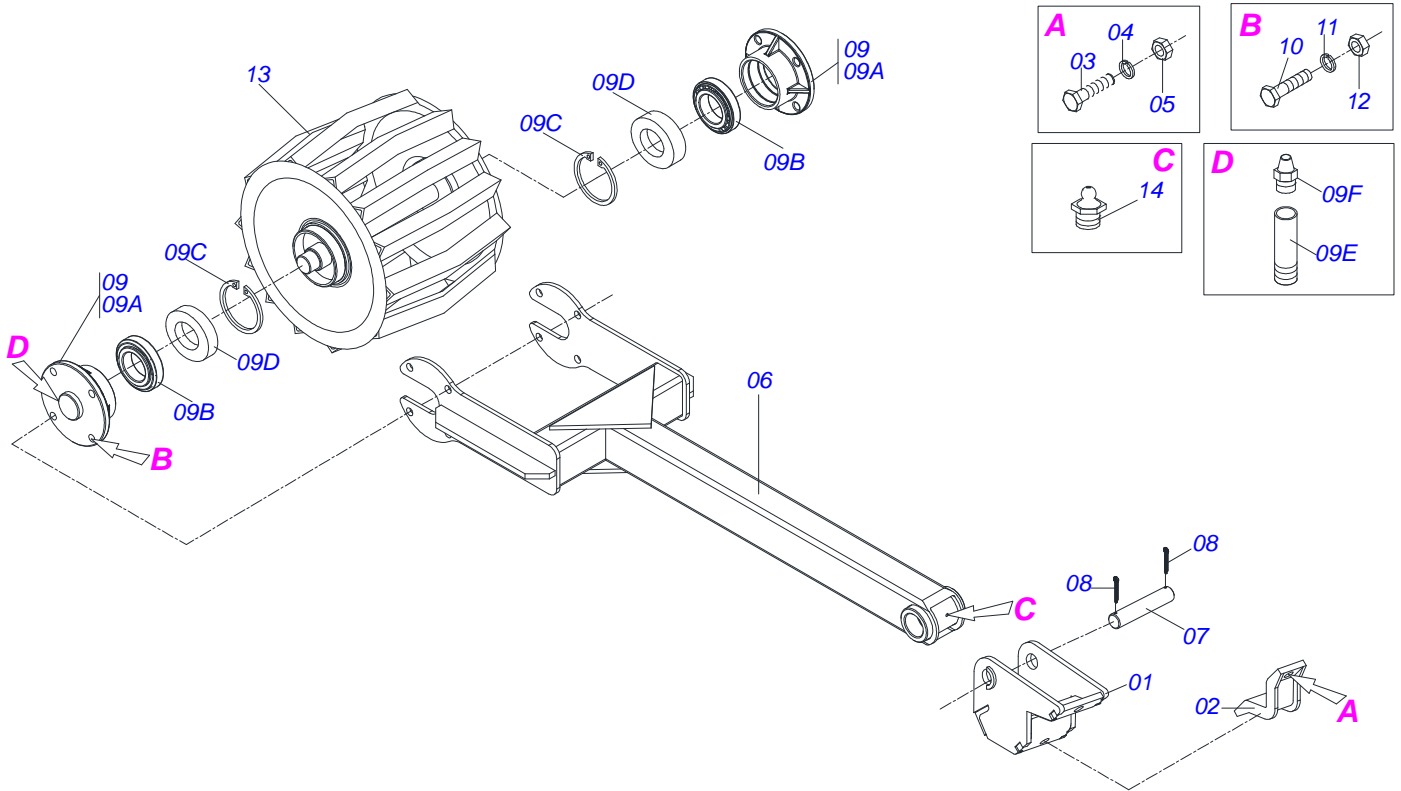
COVER DISC (OPTIONAL)

0909092775

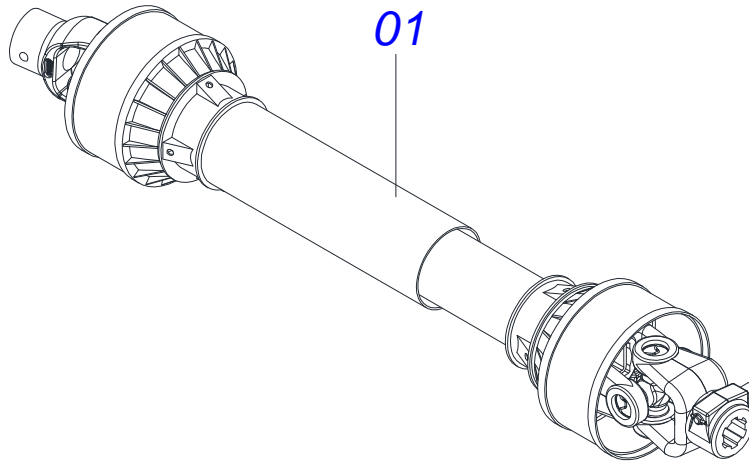
Item	Code	Description	DIR ESQ
28	0503010060	1/2" NUT	01 01
29	0551012149	31,75 X 130 AXLE	04 04



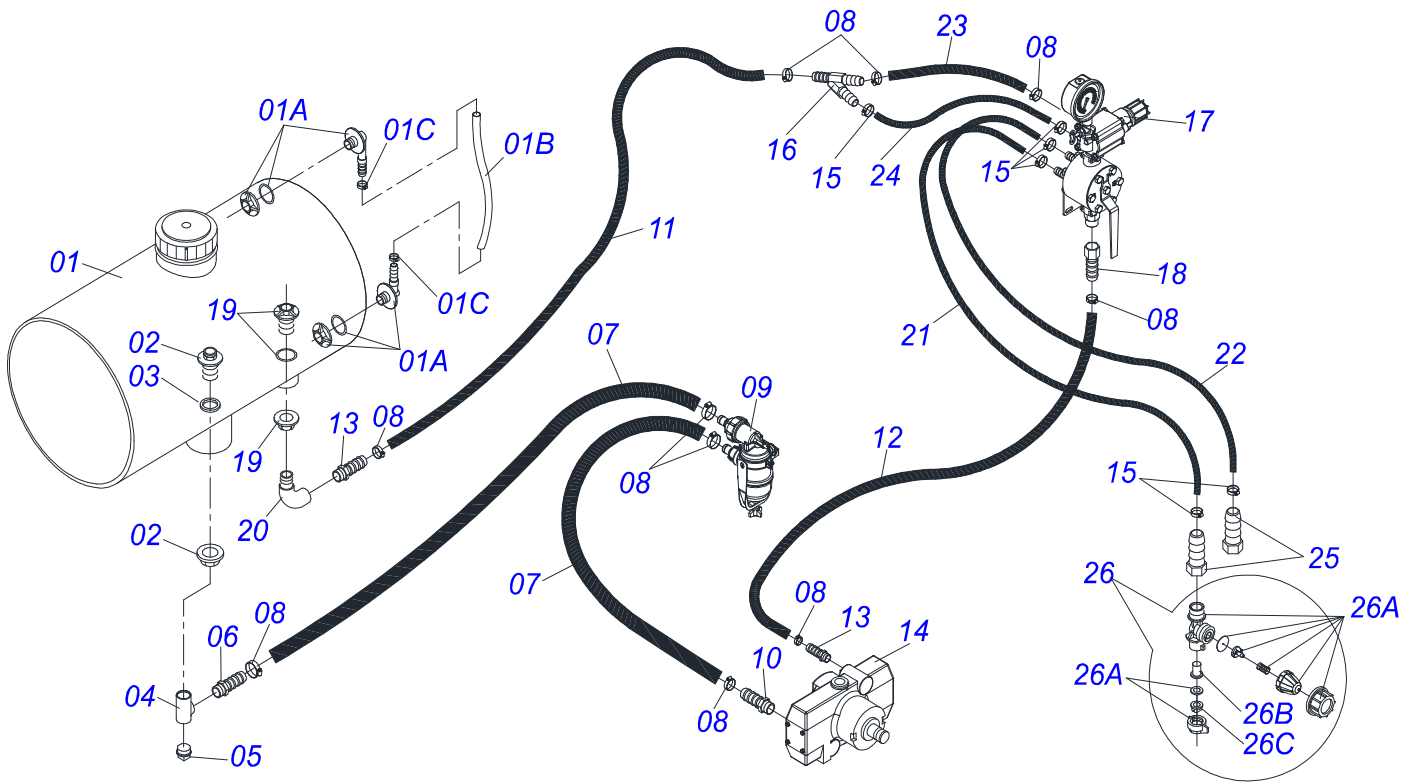
Item	Code	Description	QT
01	0511067892	PRESS ROLLER FIXER	01
02	0502010819	TRACTOR HITCH FIXER	01
03	0503010901	3/4UNC 3.1/2 BOLT	02
04	0503010023	SPRING WASHER	02
05	0503010014	3/4" NUT	02
06	0511067957	PRESS ROLLER FORK	01
07	0551012148	31,75 X 148 AXLE	01
08	0521011132	FLAT WASHER	01
09	0503010839	03"X 0.6" SPRING PIN	02
10	0501052042	BOX BREAK ROLLER	02
10A	0502011479	BOX BREAK ROLLER	01
10B	0503012107	BALL BEARING	01
10C	0503011420	502100 CLAMPING RING (FOR AXLE)	01
10D	0503011418	01669-BR SEAL	01
10E	0503031394	EXTENSION GREASE FITTING	01
10F	0503010691	1/4" GREASE FITTING	01
11	0503010232	5/8" X 1.3/4" BOLT	08
12	0503010027	SPRING WASHER	08
13	0503010013	5/8" NUT	08
14	0511060994	PRESS ROLLER	01
15	0503010002	GRAXEIRA 1800	02



Item	Code	Description	QT
01	0511067892	PRESS ROLLER FIXER	01
02	0502010819	TRACTOR HITCH FIXER	01
03	0503010901	3/4UNC 3.1/2 BOLT	02
04	0503010023	SPRING WASHER	02
05	0503010014	3/4" NUT	02
06	0511067957	PRESS ROLLER FORK	01
07	0551012148	31,75 X 148 AXLE	01
08	0503010038	3/16 X 2 COTTERPIN	02
09	0501052042	BOX BREAK ROLLER	02
09A	0502011479	BOX BREAK ROLLER	02
09B	0503012107	BALL BEARING	02
09C	0503011420	502100 CLAMPING RING (FOR AXLE)	02
09D	0503011418	01669-BR SEAL	02
09E	0503031394	EXTENSION GREASE FITTING	02
09F	0503010691	1/4" GREASE FITTING	02
10	0503010232	5/8" X 1.3/4" BOLT	08
11	0503010027	SPRING WASHER	08
12	0503010013	5/8" NUT	08
13	0511067478	ROLLER SET	01
14	0503010002	GRAXEIRA 1800	01

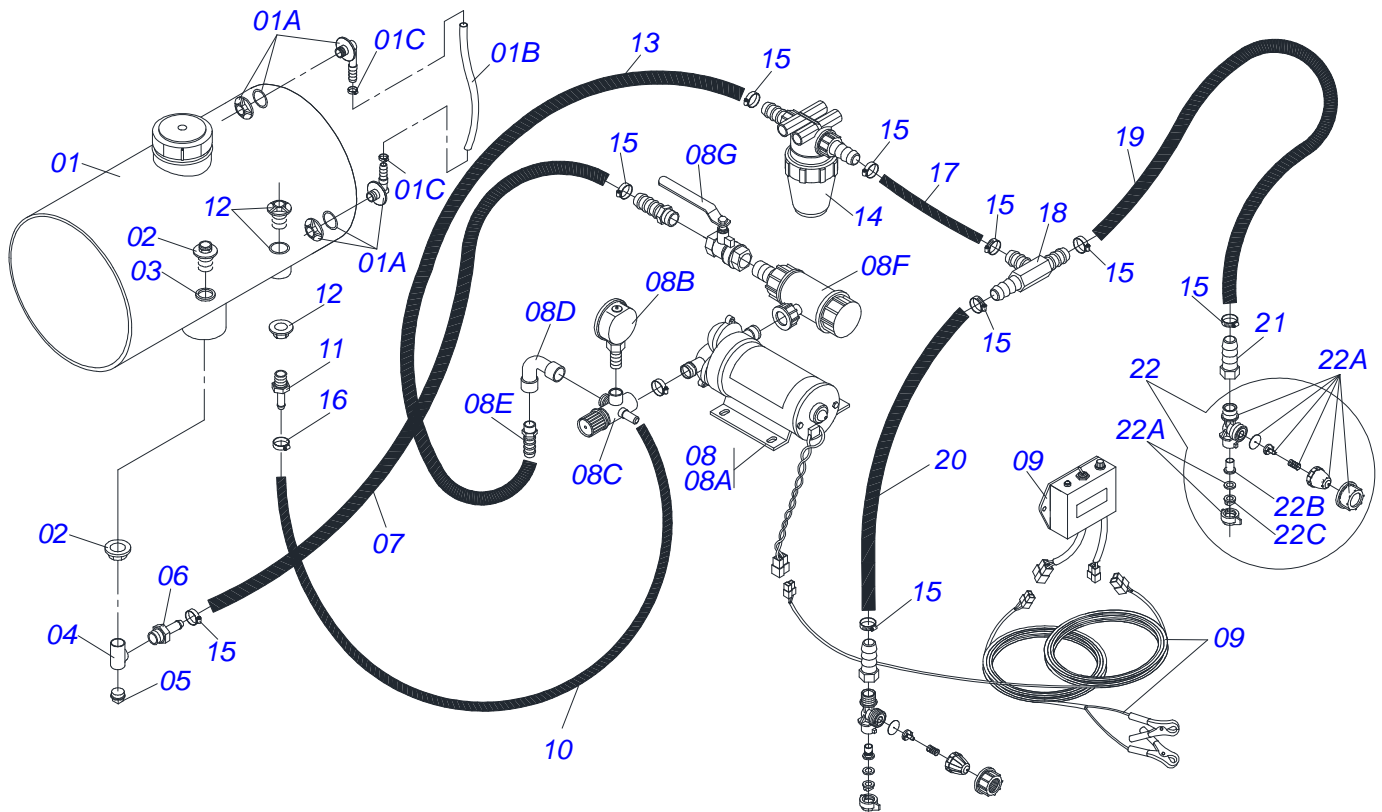


Item	Code	Description	QT
01	0511045298	DRIVE SHAFT	01

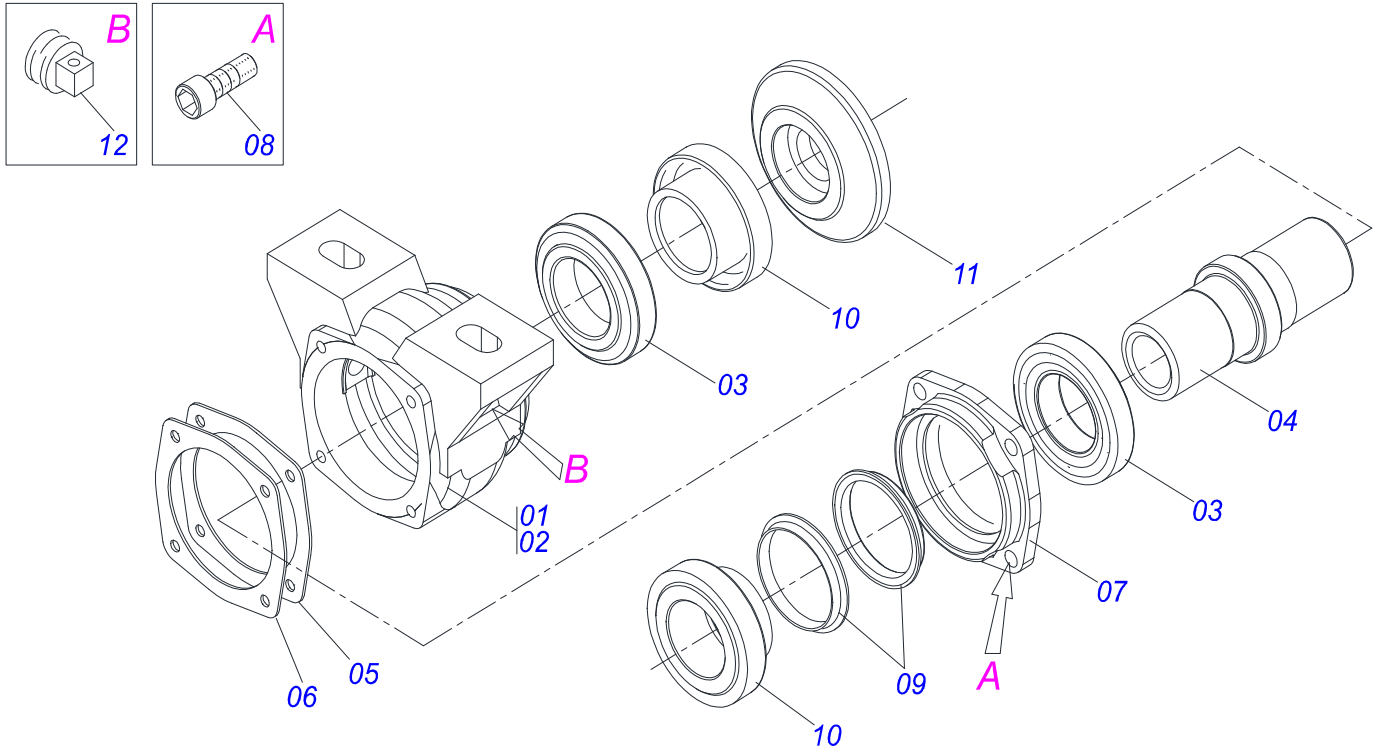


Item	Code	Description	QT
01	0503061627	TANK ASSY	01
02	0503014432	COPPER FLANGE	01
03	0551015571	JOINT GASKET TYRE	01
04	0503014387	TE 1" BSP GALV CCP-BC	01
05	0503014388	1" BSP PLUG	01
06	0551014267	1.1/4" HOSE NIPPLE	01
07	0551016271	1.1/4" AIR CONDUCTOR CLAMP	02
08	0503010184	CLAMP	10
09	0503014263	SUCTION FILTER	01
10	0551014268	1.1/4" HOSE NIPPLE	01
11	0551016273	3/4" X 850 AB-AB HOSE	01
12	0551016272	3/4" X 1700 AB-AB HOSE	01
13	0551014269	3/4" HOSE NIPPLE	02
14	0503061618	JP402 PUMP	01
15	0503011342	3/4" TO 1 CLAMP	08
16	0511068846	3/4" X 1/2" HOSE "Y" NIPPLE	01
17	0503013908	COMMAND JACTO	01
18	0551015312	1.1/4" HOSE NIPPLE	01
19	0503013967	3/4" PVC ADAPTER	01
20	0503014391	3/4" ELBOW	01
21	0551016275	1/2" X 1800 AB-AB HOSE CLAMP	01
22	0551014210	1/2" X 2000 AB-AB HOSE	01
23	0551016208	3/4" X 350 AB-AB HOSE	01
24	0551016207	1/2" X 260 AB-AB HOSE	01
25	0551014270	ADAPTER	02
26	0503061664	TIP SET WITH SPRAY ANTIGOTEJO	02
26A	0503014429	PINGENTE NIPPLE	02
26B	0503032075	FILTER	02
26C	0503032473	NOZZLES	02

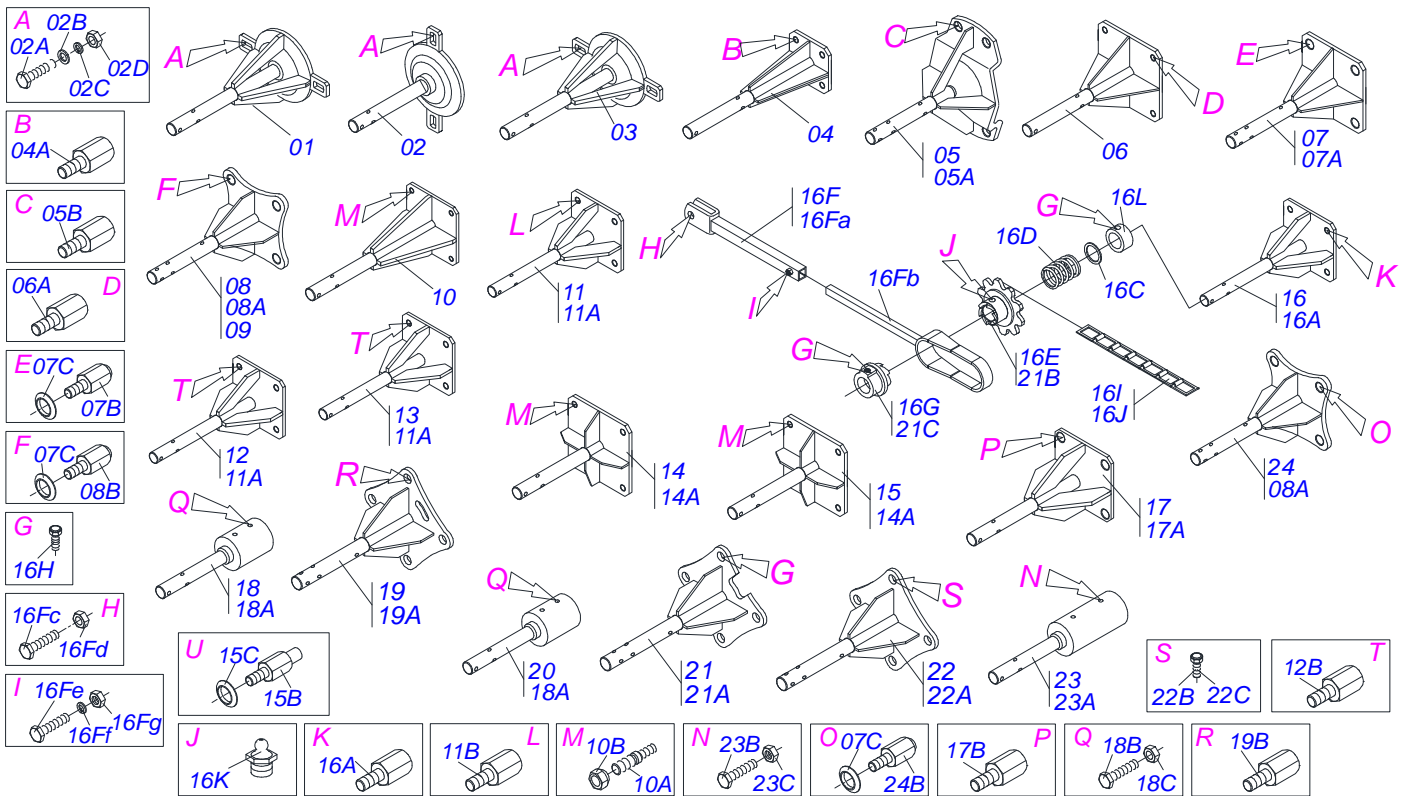
HYDRAULIC CIRCUIT



Item	Code	Description	
000	0909092966	HYDRAULIC CIRCUIT	
01	0503061627	TANK ASSY	01
02	0503014432	COPPER FLANGE	01
03	0551015571	JOINT GASKET TYRE	01
04	0503014387	TE 1" BSP GALV CCP-BC	01
05	0503014388	1" BSP PLUG	01
06	0551016586	ROSE NOZZLE	01
07	0551016600	1/2 X 410 AB-AB HOSE	01
08	0503061686	PUMP ASSY	01
08A	0503012823	DIAPHRAGM PUMP	01
08B	0503012981	PRESSURE GAUGE	01
08C	0503012805	REGULATING VALVE	01
08D	0503014690	1/4 X 1/4 ELBOW	01
08E	0503012990	PIPE CONNECTOR	01
08F	0503014539	AIR CLEANER	01
08G	0503014635	BALL VALVE BALL	01
09	0503012994	WHIP ELETTRIC CBT WITH PANEL ASSY	01
10	0551016601	3/8" X 450 AB-AB HOSE ASSY	01
11	0551016587	3/8" HOSE NIPPLE	01
12	0503013967	3/4" PVC ADAPTER	01
13	0551016602	1/2" X 520 AB-AB HOSE	01
14	0503012997	LINE FILTER	01
15	0503010296	CLAMP	10
16	0503011342	3/4" TO 1 CLAMP	01
17	0551016603	1/2" X 100 AB-AB HOSE	01
18	0511068987	1/2" HOSE NIPPLE	01
19	0551016604	1/2" X 900 AB-AB HOSE	02
20	0551016605	1/2" X 1400 AB-AB HOSE	02
21	0551014270	ADAPTER	02
22	0503061664	TIP SET WITH SPRAY ANTIGOTEJO	02
22A	0503014429	PINGENTE NIPPLE	02
22B	0503032075	FILTER	02
22C	0503032473	NOZZLES	02



Item	Code	Description	
00	0501049010	BEARING GUARD	01
00A	0501049011	BEARING GUARD	01
01	0502011765	HOUSING DM	01
02	0502011766	HOUSING DM	01
03	0503010111	30210 ROLLER BEARING	02
04	0502040484	BEARING AXLE	01
05	0503030013	4.4" X 3.5" X 0.004" JOINT	02
06	0503030684	4.4" X 3.5" X 0.004" JOINT	01
07	0502020424	HOUSING CAP DM	01
08	0503010134	3/8" X 1" BOLT	04
09	0503030026	SEAL LP JB-253	02
10	0502010541	SEAL RETAINER	02
11	0502010074	INNER FLANGE	01
12	0503010856	OIL PLUG	01



Item	Code	Description	
01	0501061182	MOTOR SUPPORT	01
02	0501061183	MOTOR SUPPORT	01
02A	0501010500	3/4"X3"BOLT	06
02B	0501012425	FLAT WASHER	06
02C	0503010023	SPRING WASHER	07
02D	0503010014	3/4" NUT	08
03	0501061184	MOTOR SUPPORT	01
04	0501061180	MOTOR SUPPORT	01
04A	0501010760	SUPPORT FIXER MOTOR	04
05	0501057829	MOTOR SUPPORT ASSY	01
05A	0501061181	MOTOR SUPPORT	01
05B	0501010761	SUPPORT FIXER MOTOR	04
06	0501067746	SUPPORT MOTOR	01
06A	0501013986	SUPPORT FIXER MOTOR	04
07	0501057350	SUPPORT MOTOR ASSY	01
07A	0501062862	MOTOR SUPPORT	01
07B	0501016631	SUPPORT FIXER MOTOR	04
07C	0511016819	CONICAL SPRING WASHER	04
08	0501057304	SUPPORT MOTOR ASSY	01
08A	0511067495	SUPPORT MOTOR	01
08B	0551011867	FIXER SUPPLEMENT FIXER MOTOR	04
09	0501057338	MOTOR SUPPORT ASSY	01
10	0501061187	SUPPORT MOTOR	01
10A	0501010762	STUD	08
10B	0501016992	3/4" CONIC NUT	08
11	0501057740	MOTOR SUPPORT ASSY	01
11A	0501061185	MOTOR SUPPORT ASSY	01
11B	0511014660	MOTOR SUPPORT FIXER	04
12	0501057369	MOTOR SUPPORT ASSY	01
12B	0501010763	MOTOR SUPPORT FIXER	04
13	0501057332	MOTOR SUPPORT ASSY	01
14	0511045566	MOTOR SUPPORT ASSY	01
14A	0501061186	MOTOR SUPPORT	01

QUICK COUPLING

Item	Code	Description	
15	0501057403	MOTOR SUPPORT ASSY	01
15B	0551013645	MOTOR SUPPORT FIXER	04
15C	0551013646	11/16" CONICAL NUT	04
16	0501057808	MOTOR SUPPORT ASSY	01
16A	0501061187	SUPPORT MOTOR	01
16B	0551016348	FIXER SUPPLEMENT FIXER MOTOR	04
16C	0501010765	SPINDLE GUIDE	01
16D	0503030086	COMPRESSION SPRING	01
16E	0502010121	11Z GEAR	01
16F	0501057763	ARM/DISARMMENT ROD ASSY	01
16Fa	0511068860	ROD DRIVING	01
16Fb	0511068861	COUPLING/UNCOUPLING ARM	01
16Fc	0503010060	1/2" NUT	01
16Fd	0501010161	1/2" X 1.1/4" BOLT	01
16Fe	0503010899	5/8" X 2-1/4" BOLT	01
16Ff	0503010027	SPRING WASHER	01
16Fg	0503010013	5/8" NUT	01
16G	0502010119	RIGHT RATCHET	01
16H	0503010734	1/2" X 2-1/2" BOLT	03
16I	0503010252	57 CHAIN X 63 LINK	01
16J	0503010253	57 CHAIN X 73 LINK	01
16K	0503010002	GRAXEIRA 1800	01
16L	0501014453	LOCK BUSHING	01
17	0501057519	MOTOR SUPPORT ASSY	01
17A	0501061188	MOTOR SUPPORT	01
17B	0501010764	MOTOR SUPPORT FIXER	04
18	0501057360	MOTOR SUPPORT ASSY	01
18A	0511067456	MOTOR SUPPORT	01
18B	0503010232	5/8" X 1.3/4" BOLT	04
18C	0503010013	5/8" NUT	04
19	0501057371	MOTOR SUPPORT ASSY	01
19A	0511067405	MOTOR SUPPORT	01
20	0501057345	MOTOR SUPPORT ASSY	01
21	0501056992	MOTOR SUPPORT ASSY	01
21A	0511064207	MOTOR SUPPORT	01
21B	0502011321	11Z GEAR WITH RIGHT DRAGGER	01
21C	0502011379	RH FOLLOWER	01
22	0511045524	MOTOR SUPPORT ASSY	01
22A	0511067981	MOTOR SUPPORT	01
22B	0501019219	1/2" X 1-3/4" BOLT	02
22C	0501010155	1/2" X 1" BOLT	01
23	0501057586	MOTOR SUPPORT ASSY	01
23A	0511067550	MOTOR SUPPORT	01
23B	0501010077	1/2" X 2" BOLT	04
23C	0503010060	1/2" NUT	04
24	0501057356	MOTOR SUPPORT ASSY	01
24B	0551010306	FIXER SUPPLEMENT FIXER MOTOR	04



email: civemasa@civemasa.com.br

www.civemasa.com.br

Phone: +55 16.3382.8222

Fax: +55 16.3382.8355

MARCHESAN IMPLEMENTOS E MÁQUINAS AGRÍCOLAS "TATU" S.A.

Av. Marchesan, 1979 - Post Office box, 131 - Cep 15994-900 - Matão - Sp - Brasil

CNPJ 52.311.289/0001-63 | Inst. Est.441.000.151.114

Technical Publications: Elaboration
LUIZ CANDIDO

Contact Catálogo:
E-mail = jgaspari@marchesan.com.br

**ORIGINAIS PARTS
CIVEMASA**

The Civemasa logo, identical to the one at the top of the page, is positioned at the bottom right of the page. It features the word "civemasa" in a bold, italicized, lowercase sans-serif font, with three vertical bars above the letters "i", "v", and "e" in green, orange, and green.