

TINE CULTIVATORS

CQL 2 WITH/WITHOUT 300L TANK

Code: 0501091563

Series: S-0713

Revision: 00

Revision Date: AGOSTO/2016

PARTS CATALOGUE

CIVEMASA

An orange horizontal bar is located at the top left of the page, above the "PRODUCTS" heading.

PRODUCTS

Code	Description
0120290119	CQL 2 S/TANQUE BT 4H DR18X4,5 S0713
0120290118	CQL 2 TQ 300L BT 4H DR18X4,5 S-0713

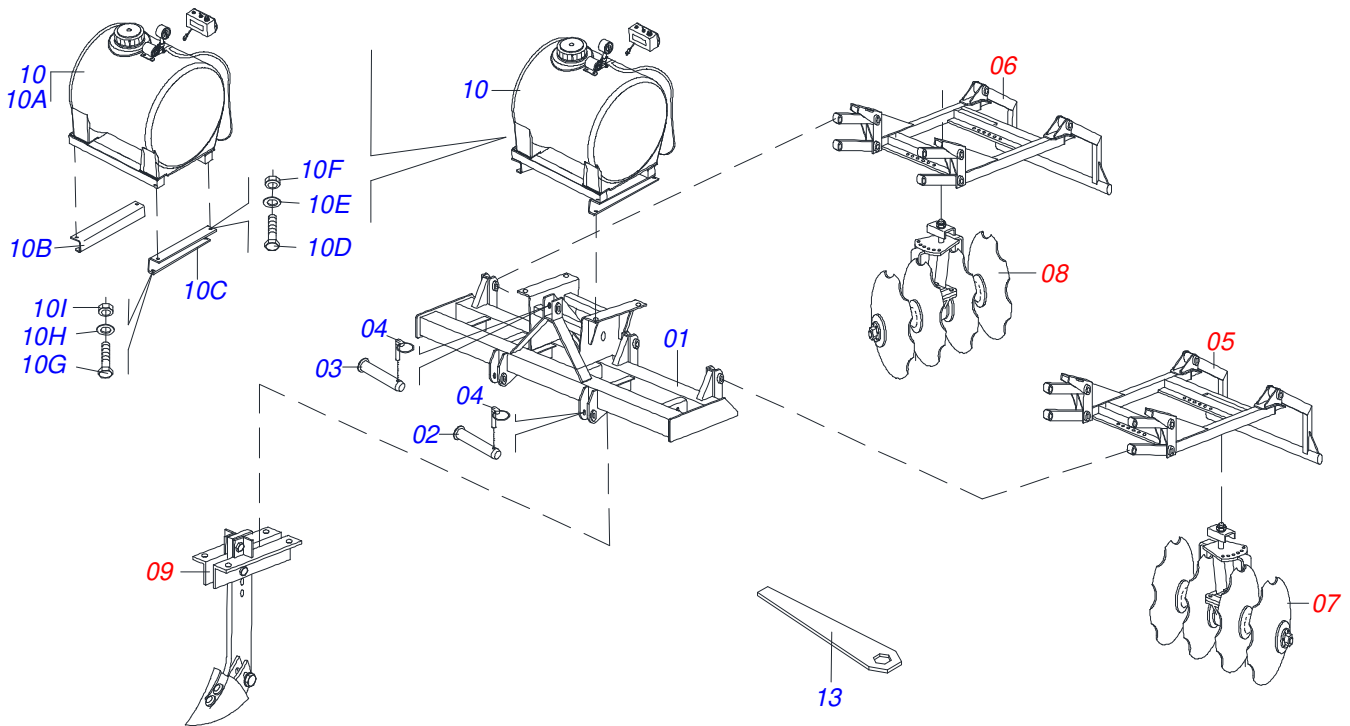
ATTENTION: IMPORTANT

CIVEMASA reserves the right to improve and/or modify the technical features of its products, without obligation to do the same with those products already sold and without prior knowledge of the dealer or the customer. The photos are only illustrative.

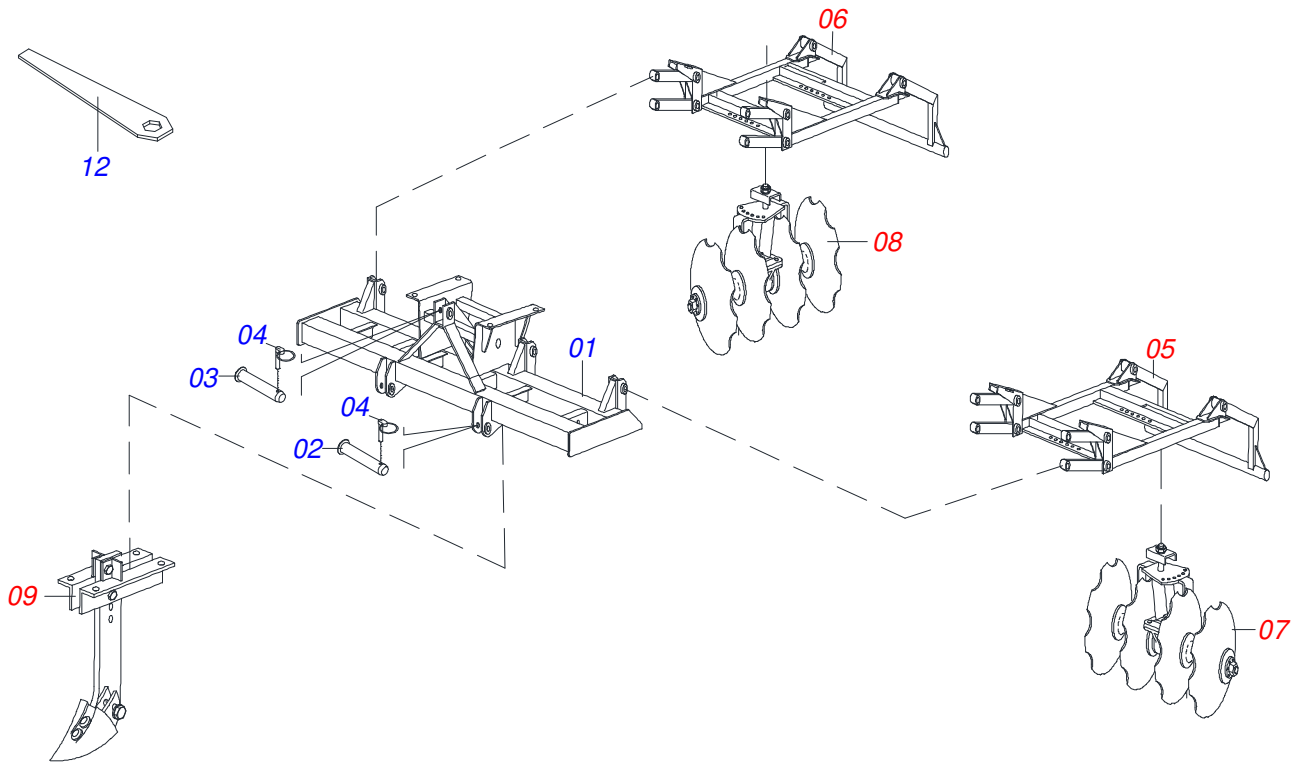


INDEX

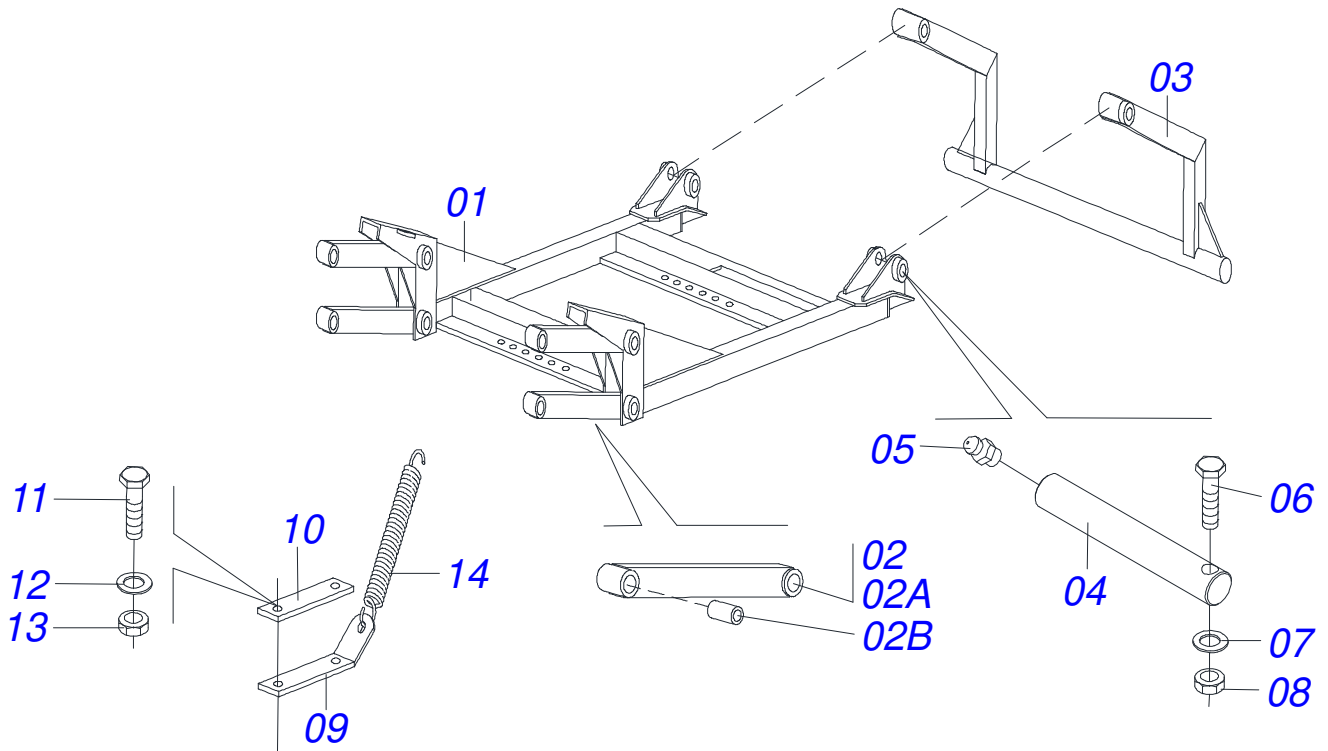
0511053124	FRAME ASSY	1
0511053907	FRAME ASSY	2
0511053280	FRAME CULTIVATOR	3
0511053120	FRAME CULTIVATOR	4
0511053281	DISC LEFT ASSEMBLY	5
0511053119	DISC RIGHT ASSEMBLY	6
0501048630	BEARING	7



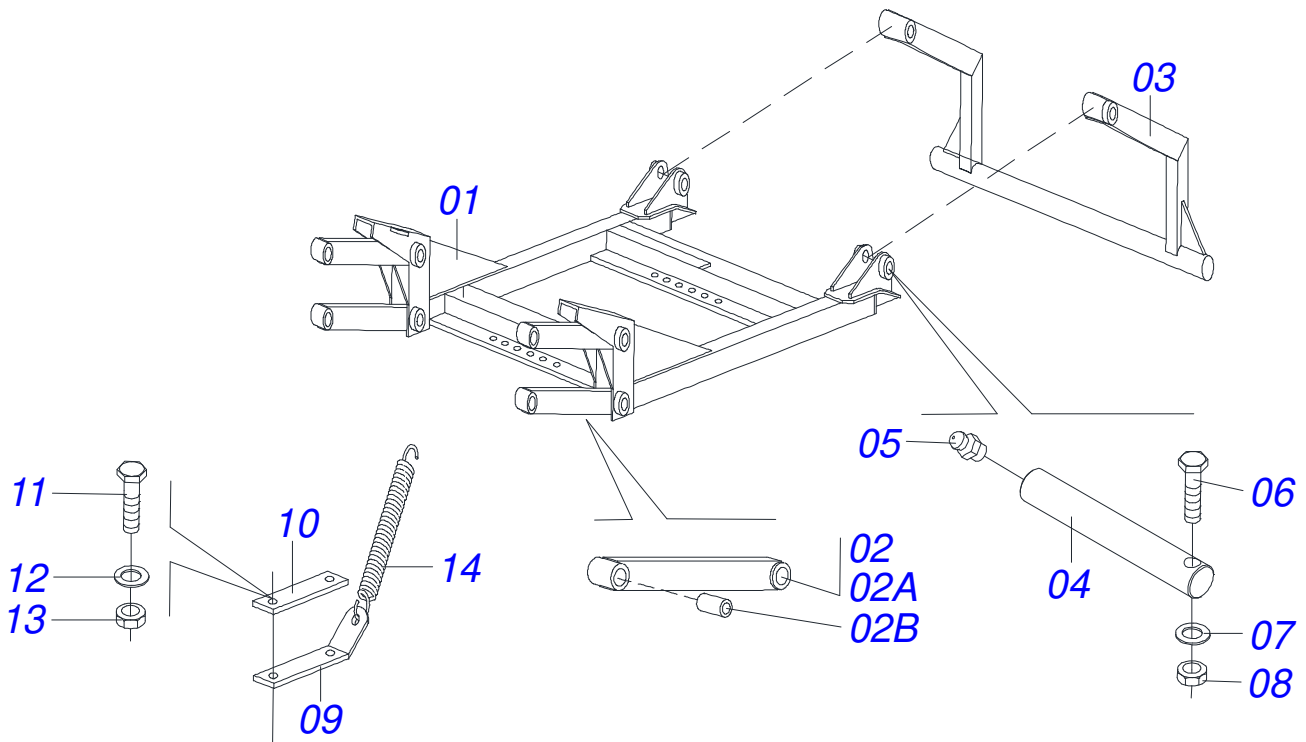
Item	Code	Description	See page	QT
001	0511053283	FRAME		01
002	0521012124	COUPLING SHAFT		02
003	0521012533	COUPLING SHAFT		01
004	0503030085	LOCK PIN		03
005	0511053280	FRAME CULTIVATOR	3	01
006	0511053120	FRAME CULTIVATOR	4	01
007	0511053281	DISC LEFT ASSEMBLY	5	02
008	0511053119	DISC RIGHT ASSEMBLY	6	02
009	0511053282	ROD SUBSOILER		04
010	0511053123	KIT SPRAY		01
010A	0511054513	3000 LITERS TANK		01
010B	0541011567	RIGHT SUPPORT		01
010C	0541011568	RIGHT SUPPORT		01
010D	0501010100	SCREW 5/8 UNC X 2 CS G.5 ZN		04
010E	0503010027	5/8 SPRING WASHER		04
010F	0503010013	5/8 NUT		04
010G	0503014007	1/2" X 1-1/4" BOLT		04
010H	0503010019	1/2" SPRING WASHER		04
010I	0503010060	1/2 UNC G.5 ZN HEX NUT		04
011	0503033811	EMBLEM		02
012	0503033245	EMBLEM		02
013	0521013781	5 WRENCH		02



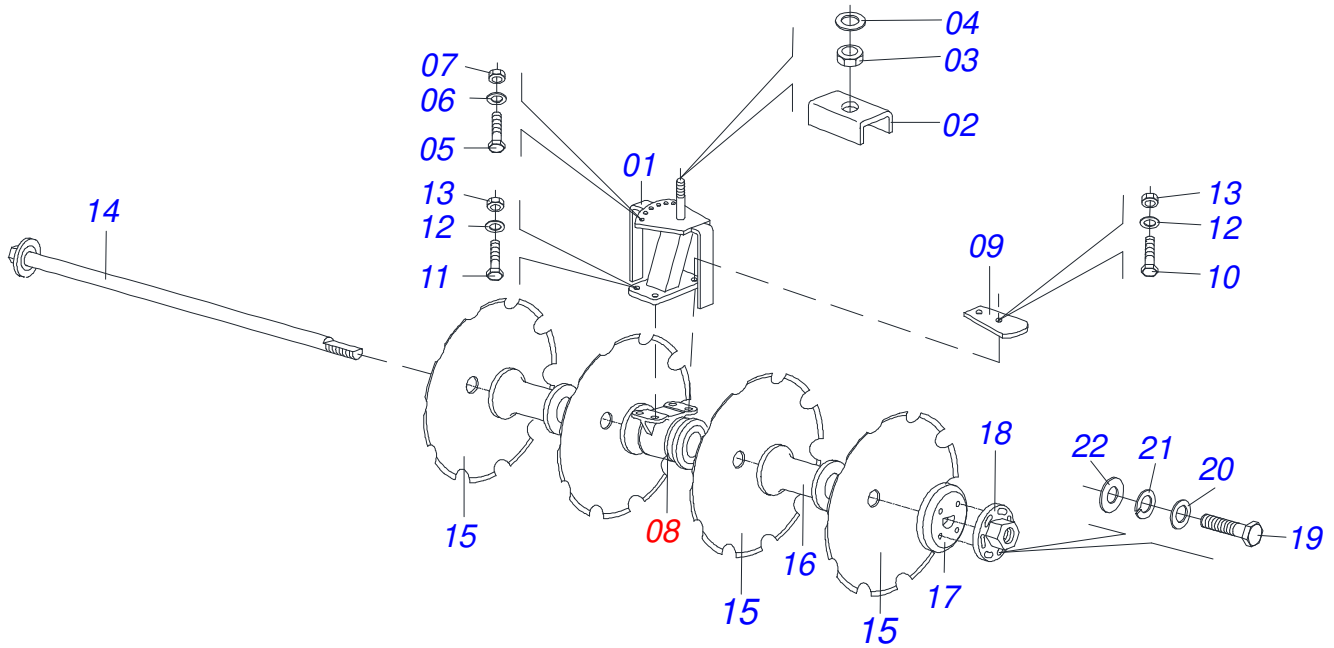
Item	Code	Description	See page	QT
001	0511053283	FRAME		01
002	0521012124	COUPLING SHAFT		02
003	0521012533	COUPLING SHAFT		01
004	0503030085	LOCK PIN		03
005	0511053280	FRAME CULTIVATOR	3	01
006	0511053120	FRAME CULTIVATOR	4	01
007	0511053281	DISC LEFT ASSEMBLY	5	02
008	0511053119	DISC RIGHT ASSEMBLY	6	02
009	0511053282	ROD SUBSOILER		04
010	0503033811	EMBLEM		02
011	0503033245	EMBLEM		02
012	0521013781	5 WRENCH		02



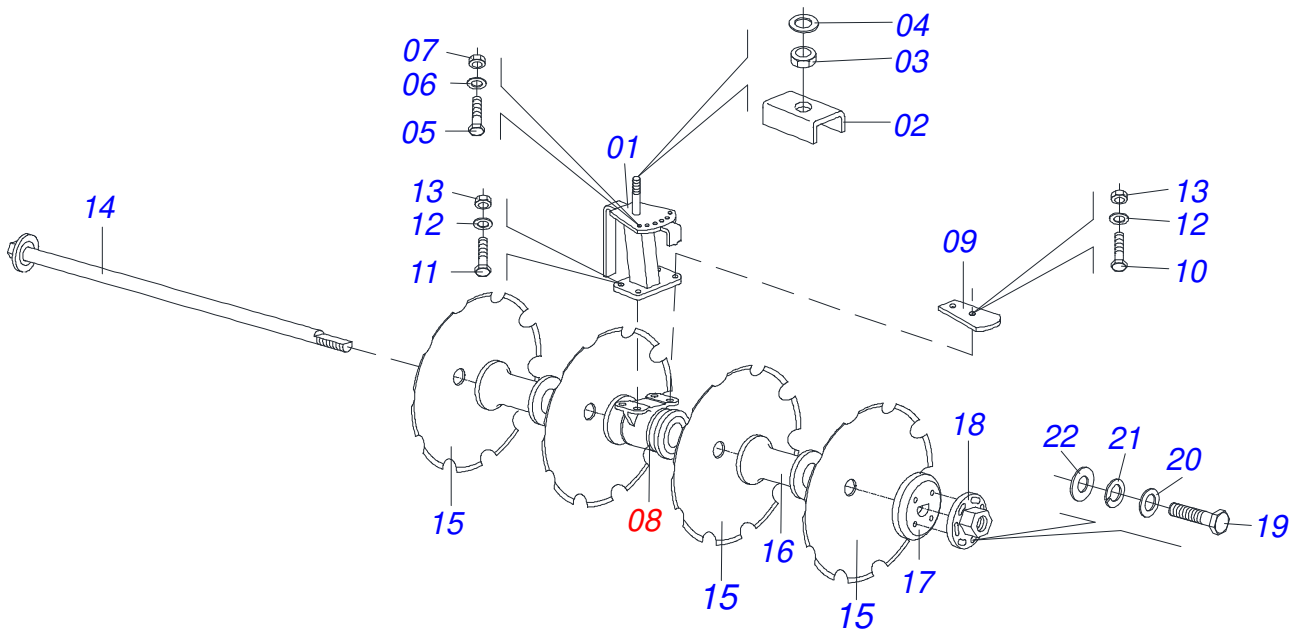
Item	Code	Description	See page	QT
001	0511064215	DISK SET LEFT SUPPORT	01	
002	0501110373	JOINT ARM	04	
002A	0511064212	ARM	01	
002B	0521014331	BUSHING	02	
003	0511062957	AXLE	01	
004	0521014459	PIN	10	
005	0503010002	1800 GREASE FITTING	10	
006	0503010336	5/16" X 2" BOLT	10	
007	0503010179	LOCK WASHER 5/16 ZN 1K01528	10	
008	0503010337	5/16" NUT	10	
009	0551016134	SPRING HITCH	01	
010	0551016133	FIXER PLATE	01	
011	0503011198	C3/4" X 6" SCREW	02	
012	0503010023	3/4" SPRING WASHER	02	
013	0503012183	SNC 3/4" ZIN 1K03097 NUT	02	
014	0503031541	SPRING	02	



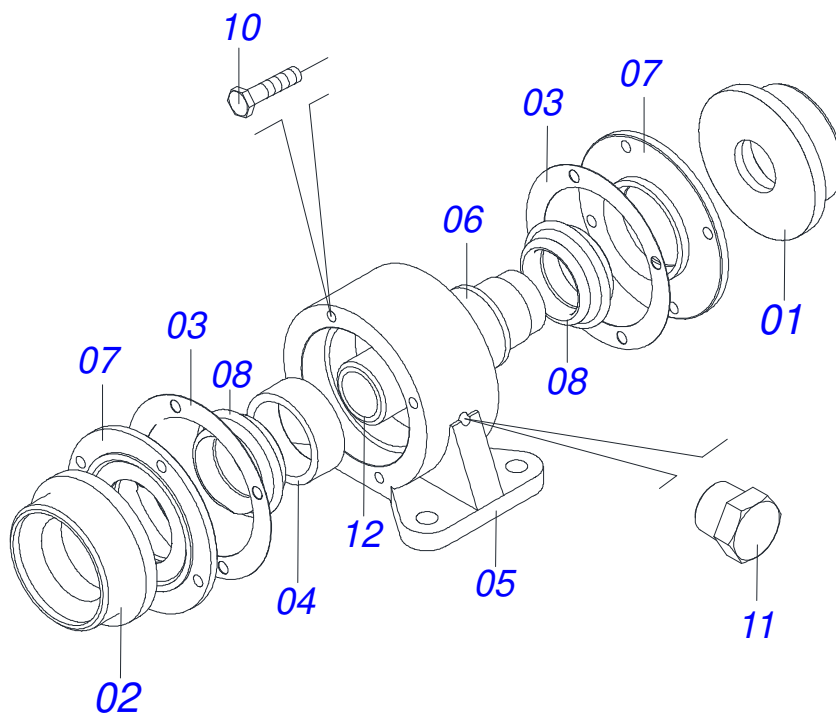
Item	Code	Description	See page	QT
001	0511064214	SUPPORT OF DISC	01	
002	0501110373	JOINT ARM	04	
003	0511062957	AXLE	01	
004	0521014459	PIN	10	
005	0503010002	1800 GREASE FITTING	10	
006	0503010336	5/16" X 2" BOLT	10	
007	0503010179	LOCK WASHER 5/16 ZN 1K01528	10	
008	0503010337	5/16" NUT	10	
009	0551016134	SPRING HITCH	01	
010	0551016133	FIXER PLATE	01	
011	0503011198	C3/4" X 6" SCREW	02	
012	0503010023	3/4" SPRING WASHER	02	
013	0503012183	SNC 3/4" ZIN 1K03097 NUT	02	
014	0503031541	SPRING	02	



Item	Code	Description	See page	QT
001	0511061138	BEARING SUPPORT		01
002	0521015684	FIXER PLATE		01
003	0503010012	1" SPRING WASHER		01
004	0503012182	1" NUT		01
005	0503011267	5/8 UNC X 1.1/2 C S G.5 ZN BOLT		02
006	0503010027	5/8 SPRING WASHER		02
007	0503010013	5/8 NUT		02
008	0501048630	BEARING	7	01
009	0521015160	LIMITER		01
010	0503010233	5/8" X 2-1/2" BOLT		02
011	0501010100	SCREW 5/8 UNC X 2 CS G.5 ZN		02
012	0503010027	5/8 SPRING WASHER		04
013	0503010013	5/8 NUT		04
014	0511060904	AXLE DISC		01
015	0602025263	18" X 4,5 NOTCHED DISC BLADE		04
016	0502011759	SPACER		02
017	0502011606	INNER FLANGE		01
018	0502011678	AXLE NUT		01
019	0503011087	3/8" X 1" BOLT		02
020	0501013687	FLAT WASHER		02
021	0503010025	3/8 SPRING WASHER		02
022	0501012140	FLAT WASHER		02



Item	Code	Description	See page	QT
001	0511061160	SUPPORT BEARING		01
002	0521015684	FIXER PLATE		01
003	0503010012	1" SPRING WASHER		01
004	0503012182	1" NUT		01
005	0503011267	5/8 UNC X 1.1/2 C S G.5 ZN BOLT		02
006	0503010027	5/8 SPRING WASHER		02
007	0503010013	5/8 NUT		02
008	0501048630	BEARING	7	01
009	0521015160	LIMITER		01
010	0503010233	5/8" X 2-1/2" BOLT		02
011	0501010100	SCREW 5/8 UNC X 2 CS G.5 ZN		02
012	0503010027	5/8 SPRING WASHER		04
013	0503010013	5/8 NUT		04
014	0511060904	AXLE DISC		01
015	0602025263	18" X 4,5 NOTCHED DISC BLADE		04
016	0502011759	SPACER		02
017	0502011606	INNER FLANGE		01
018	0502011678	AXLE NUT		01
019	0503011087	3/8" X 1" BOLT		02
020	0501013687	FLAT WASHER		02
021	0503010025	3/8 SPRING WASHER		02
022	0501012140	FLAT WASHER		02



Item	Code	Description	See page	QT
001	0502011634	WASHER CONCAVE		01
002	0502011635	WASHER CONVEX		01
003	0503031505	JOINT BEARING		02
004	0502020654	SPACER		01
005	0502011655	BODY BEARING		01
006	0521018180	CENTER BEARING		01
007	0502011636	BEARING COVER		02
008	0503012527	SEAL		02
009	3402301247	MINERAL OIL GREASE		00
010	0503011334	BOLT 3/8 UNC X 3/4 CS G.5 ZN		08
011	0503010856	OIL PLUG		01
012	0503012294	BEARING LM		02



civemasa

Technical Publications | Elaboration and Revision

LUIZ CANDIDO

www.civemasa.com.br

