

**REAR SCRAPER PULL TYPE**

**LTM 5000**

**Code:** 0501091479

**Series:** S-0311

**Revision:** 00

**Revision Date:** JUNHO/2022

# **PARTS CATALOGUE**


***CIVEMASA***

# PRODUCTS

<b>Code</b>	<b>Description</b>
0121300003	LTM 5000 C/PN 12.4-24 CUBO 8F S-311
0121300005	LTM 5000 C/RODA S/PNEU CUBO 8F S-0311

## **ATTENTION: IMPORTANT**

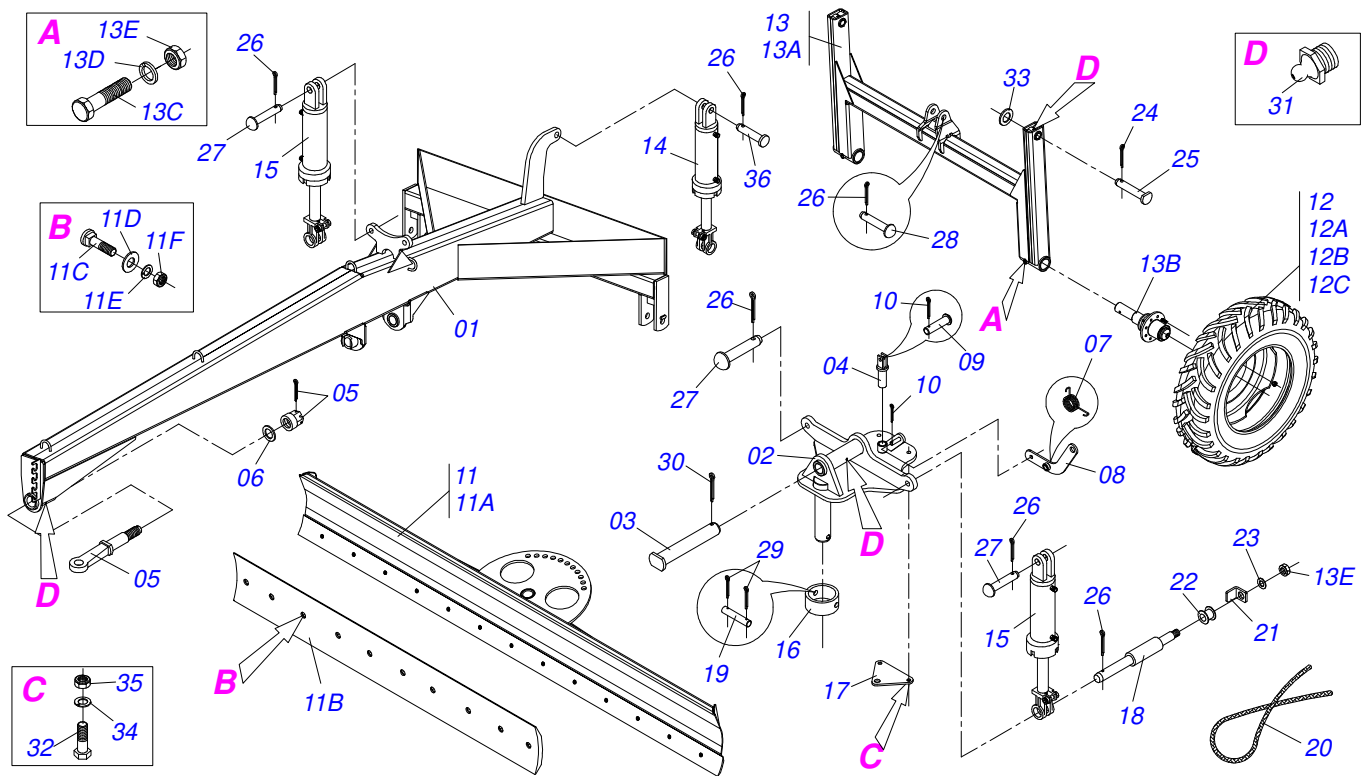
CIVEMASA reserves the right to improve and/or modify the technical features of its products, without obligation to do the same with those products already sold and without prior knowledge of the dealer or the consumer. The photos are only illustrative.





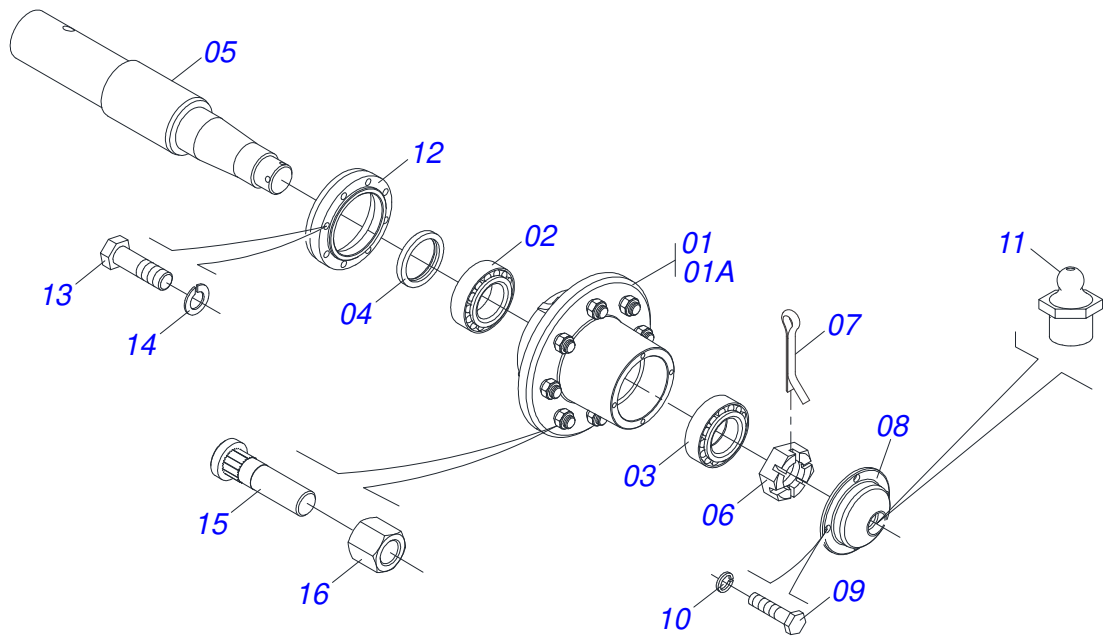
# INDEX

0909091764	FRAME ASSY	.....	1
0511050649	WHEEL	.....	2
0909091590	HYDRAULIC CIRCUIT	.....	3
0511047811	HYDRAULIC CYLINDER 38,1 X 690 X 484	.....	4
0511042770	HYDRAULIC CYLINDER 44,45 X 85,7 X 625 X 330	.....	5

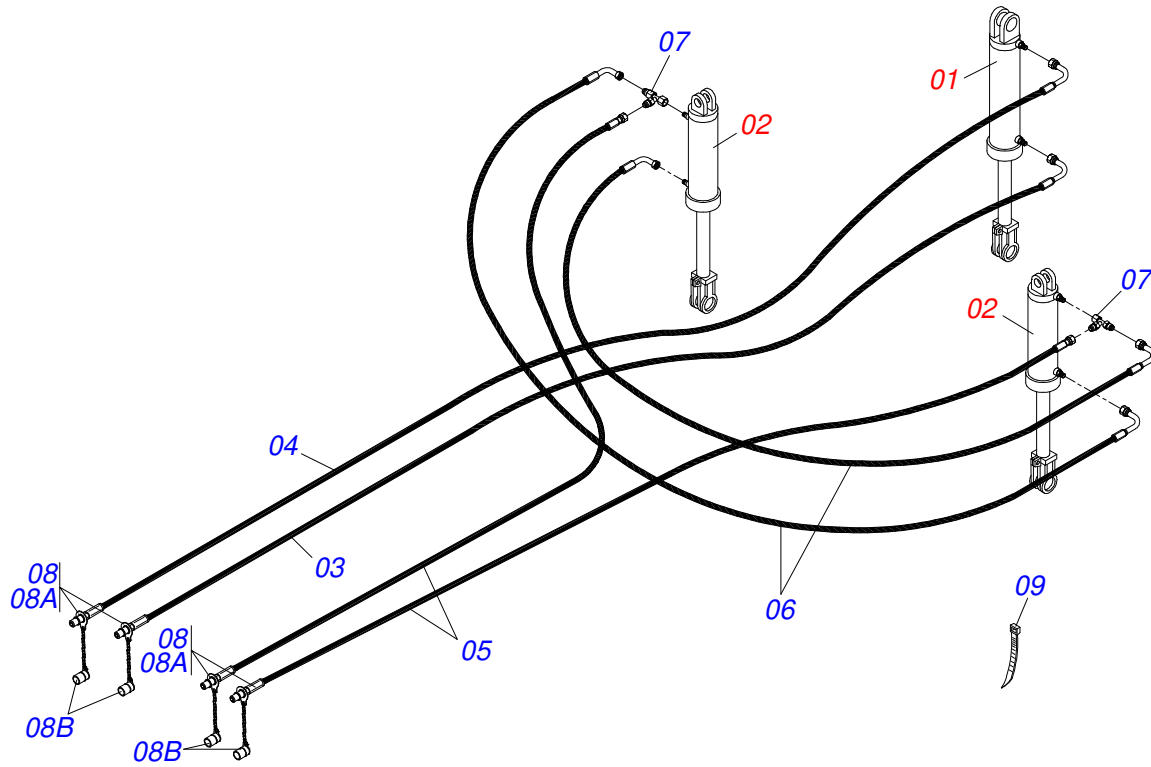


Item	Code	Description	See page	QT
01	0521064420	FRAME		01
02	0521060613	FIXER SUPPORT BLADE		01
03	0561012652	BLADE SHAFT ARTICULATOR		01
04	0521060615	LOCK PIN BLADE		01
05	0503061649	PONTEIRA HITCH SILPA		01
06	0511019776	FLAT WASHER		01
07	0503030025	1.4" X 0.2" TORSION SPRING		01
08	0521060616	LEVER LOCK BLADE		01
09	0521010624	0.4" X 1.5" COUPLING SHAFT		01
10	0503010071	3/16" X 1" COTTERPIN		02
11	0511049207	BLADE ASSY		01
11A	0521062075	BLADE		01
11B	0561017949	REVERSIBLE SCRAPER 4200		01
11C	0501012239	5/8" X 1.3/4" BOLT		13
11D	0571010265	16.5 X 40 X 3 FLAT WASHER		13
11E	0503011445	SPRING WASHER		13
11F	0503010013	5/8" NUT		13
12	0511050650	WELL AND TIRE ASSY		02
12A	0503016024	CANVAS TIRE		02
12B	0503013040	0.5" X 1" VALVE STEM		02
12C	0511063924	DCCO 10500 WHEEL		02
13	0511049212	WHEEL		01
13A	0521062071	RODE		01
13B	0511050649	WHEEL	2	02
13C	0503016023	1/2 X 6 BOLT		02
13D	0503010019	1/2" SPRING WASHER		02
13E	0503010060	1/2" NUT		03
14	0511042770	HYDRAULIC CYLINDER 44,45 X 85,7 X 625 X 330	5	01
15	0511047811	HYDRAULIC CYLINDER 38,1 X 690 X 484	4	02
16	0561012651	SLEEVE 74.50 X 101.60 X 40		01
17	0561012656	BASE BODY LOWER PULLEY		01

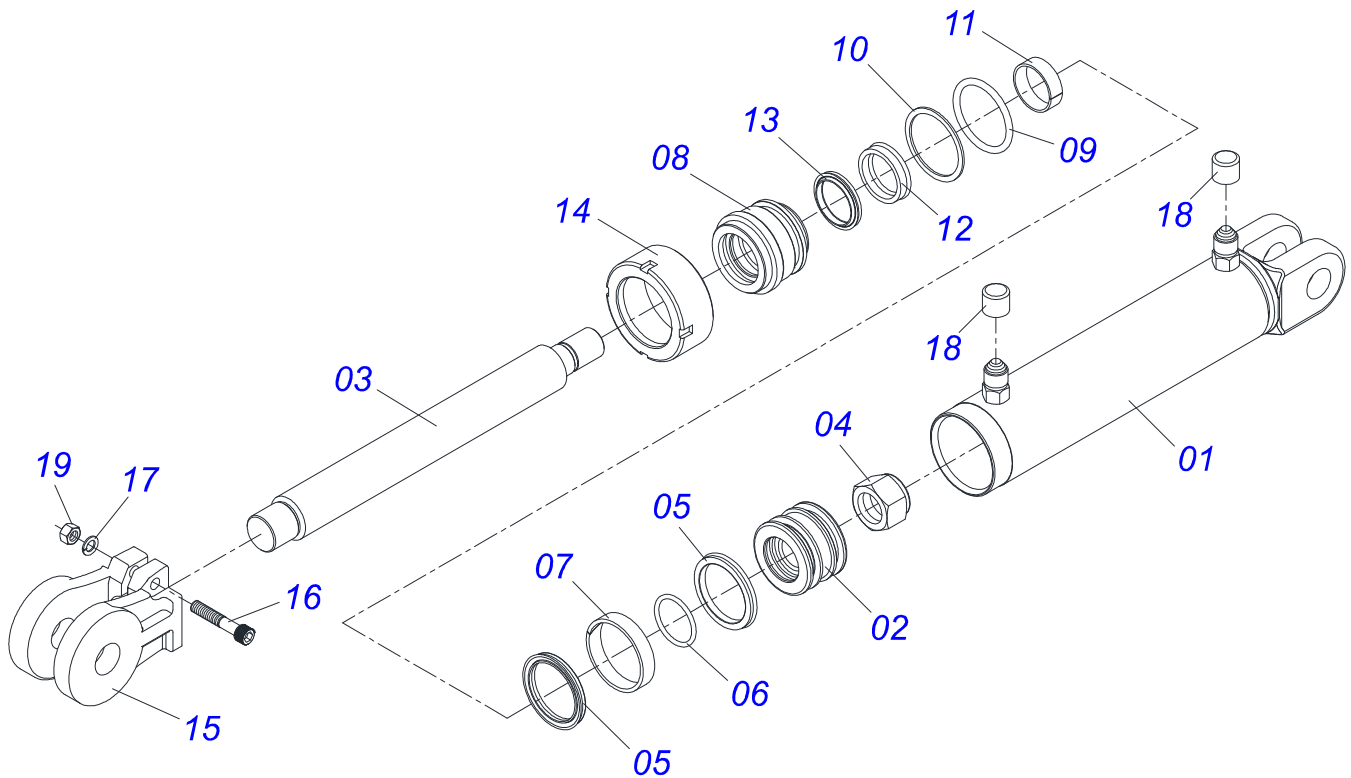
Item	Code	Description	See page	QT
18	0561012721	FIXER AXLE CYLINDER		01
19	0511013598	3/4" X 4.7" COUPLING SHAFT		01
20	0511010366	ROPE		01
21	0561012722	L GUIDE ROPE		01
22	0503030402	PULLEY		01
23	0511017302	FLAT WASHER		01
24	0503010534	3/8 X 2-1/2 COTTERPIN		03
25	0561012693	SHAFT JOINT 31.20 X 163		02
26	0503010523	1/4" X 2" COTTERPIN		06
27	0521010575	C0.9" X 3.3" COUPLING SHAFT		04
28	0521010545	1.2" X 5.1" COUPLING SHAFT		01
29	0503010362	1/8 X 1.1/4 COTTERPIN		02
30	0503012213	1/4" COTTERPIN		01
31	0503010002	1800 GREASE FITTING		05
32	0503010901	3/4UNC 3.1/2 BOLT		02
33	0501010307	FLAT WASHER		02
34	0503010023	3/4" SPRING WASHER		02
35	0503010014	3/4" NUT		02
36	0521012538	1.2" X 3.5" COUPLING SHAFT		01



Item	Code	Description	See page	QT
01	0502012318	CARRYING WHEEL HUB	01	
01A	1902010322	WHEEL HUB	01	
01B	1599630001	STEEL SCRAP	02	
02	0503013453	SKF 33011 ROLLER BEARING	01	
03	0503013454	SKF 33109 ROLLER BEARING	01	
04	0503010086	SEAL 0009B-B	01	
05	0561017950	AXLE PULLEY	01	
06	0501010630	1.1/2" CASTLE NUT	01	
07	0503010523	1/4" X 2" COTTERPIN	01	
08	0502020592	COVER	01	
09	0503010295	SCREW 5/16 UNC X 5/8 CS G.2 ZN	04	
10	0503011444	SPRING WASHER	04	
11	0503010002	1800 GREASE FITTING	01	
12	0502012175	SEAL FLANGE	01	
13	0503010397	5/16" X 1-3/4" BOLT	08	
14	0503011444	SPRING WASHER	08	
15	0503012655	5/8" X 2-3/8" WHEEL BOLT	08	
16	0503010064	5/8 UNF CONIC NUT	08	

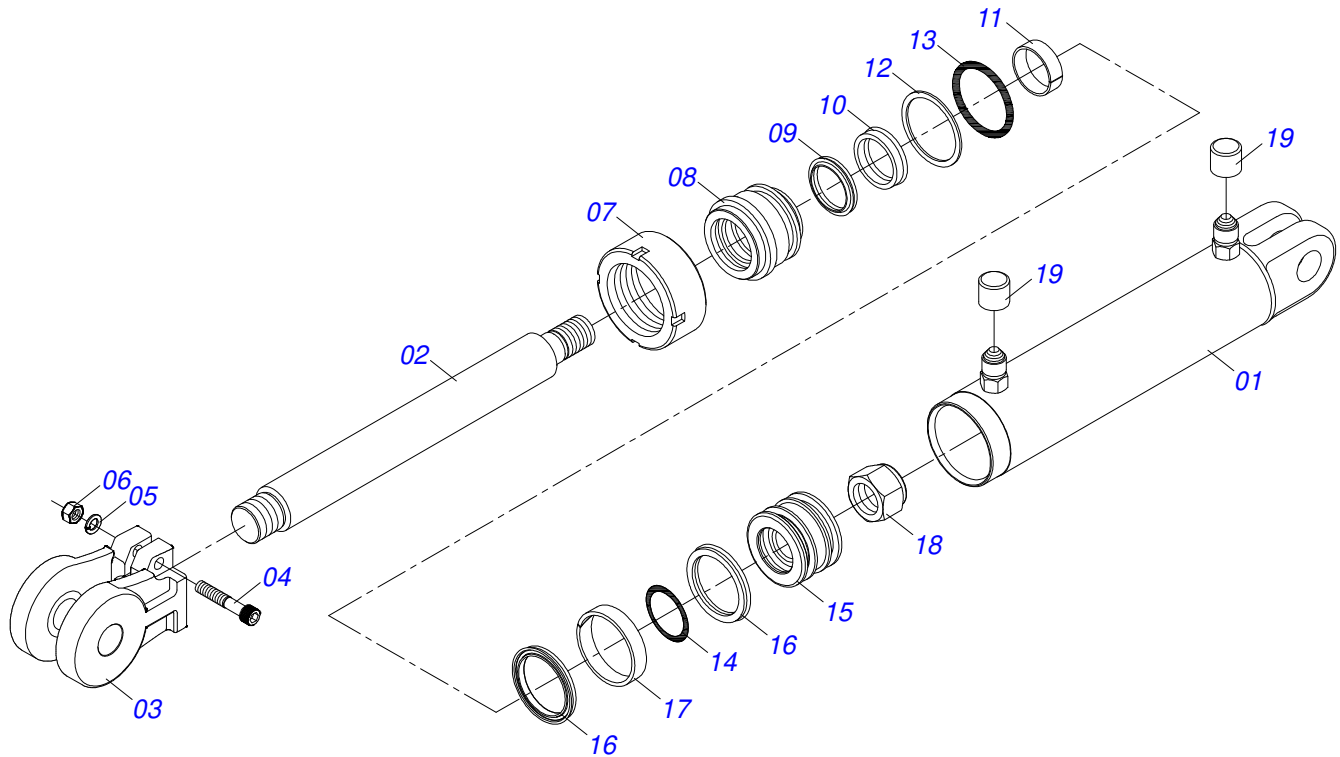


Item	Code	Description	See page	QT
01	0511042770	HYDRAULIC CYLINDER 44,45 X 85,7 X 625 X 330	5	01
02	0511047811	HYDRAULIC CYLINDER 38,1 X 690 X 484	4	02
03	0501080847	3/8" X 5700 TC-TM HOSE		01
04	0501080409	3/8" X 6000 TC-TM HOSE		01
05	0501080363	3/8" X 177" TR-TM HOSE ASSY		02
06	0501081296	3/8" X 800 TC-TC HOSE		02
07	0503011968	3/4" 8R6X-S T ADAPTER WITH SWIVEL NUT		02
08	0501053834	MALE QUICK COUPLER		04
08A	0503011627	MALE QUICK COUPLER AGR 1/2 NPT		04
08B	0503011882	MALE QUICK COUPLER CAP		04
09	0503013100	NYLON CLAMP		01



Item	Code	Description	See page	QT
01	0521060618	63,50 X 309 CYLINDER CASE		01
02	0502010783	1.5" X 2.5" PISTON		01
03	0561012695	38,1 X 37 TURNBUCKLE		01
04	0503010063	1" SELF-ALIGNING NUT		01
05	0503010160	2500 2000 GASKET		02
06	0503010285	2-222 N 3006-9B O'RING		01
07	0503010973	W2-2500-500 PK O'RING G.E		01
08	0502010780	RING SUPPORT		01
09	0503010161	2-330 N 3006 9B O'RING		01
10	0503011058	8-330 BACK-UP RING		01
11	0503010970	W1-1650-500 PK O'RING G.E		01
12	0503010989	1870-1500-375-B GASKET		01
13	0503010163	D-1500 SCRAPER RING		01
14	0502010471	MOBILE COVER		01
15	0502040493	CLEVIS 26,50 R41		01
16	0503011094	3/8" X 2" BOLT		01
17	0503011443	3/8" SPRING WASHER		01
18	0503030385	CYLINDER PLUG N-002		02
19	0503010026	3/8" NUT		01





Item	Code	Description	See page	QT
01	0511065683	85,72 X 509 CYLINDER CASE		01
02	0521010827	HYDRAULIC CYLINDER TURNBUCKLE		01
03	0502040747	32.54 CLEVIS CLAMP		01
04	0503011094	3/8" X 2" BOLT		01
05	0503010025	3/8" SPRING WASHER		01
06	0503010026	3/8" NUT		01
07	0502010993	DETACHABLE COVER		01
08	0502010781	RING SUPPORT		01
09	0503010761	D-1750 SCRAPER RING		01
10	0503010990	GASKET		01
11	0503010949	W2-2000-500 PK RING G.E		01
12	0503011060	8-336 BACK-UP RING		01
13	0503010976	2-336 N 3006-9B O'RING		01
14	0503010042	2-214 N 3006-9B O'RING		01
15	0502010843	1.8" X 3.4" PISTON		01
16	0503010170	PACKING 3120 2750		02
17	0503010948	W4-3346-590 PK RING G.E		01
18	0503010063	1" SELF-ALIGNING NUT		01
19	0503030385	CYLINDER PLUG N-002		02





***civemasa***

**Technical Publications | Elaboration and Revision**  
ALESSANDRA PATRICIA KAWAHARA CARRILI

[www.civemasa.com.br](http://www.civemasa.com.br)

