

# ***PARTS CATALOGUE***

## **DISK HARROWS**

### **GNP 40 A 54 H-PI**

**Code: 0501091385**



**Series: S-0613**

**Review: JULHO/2015**

**ORIGINAL PARTS  
CIVEMASA**

***civemasa***

# PRODUCTS

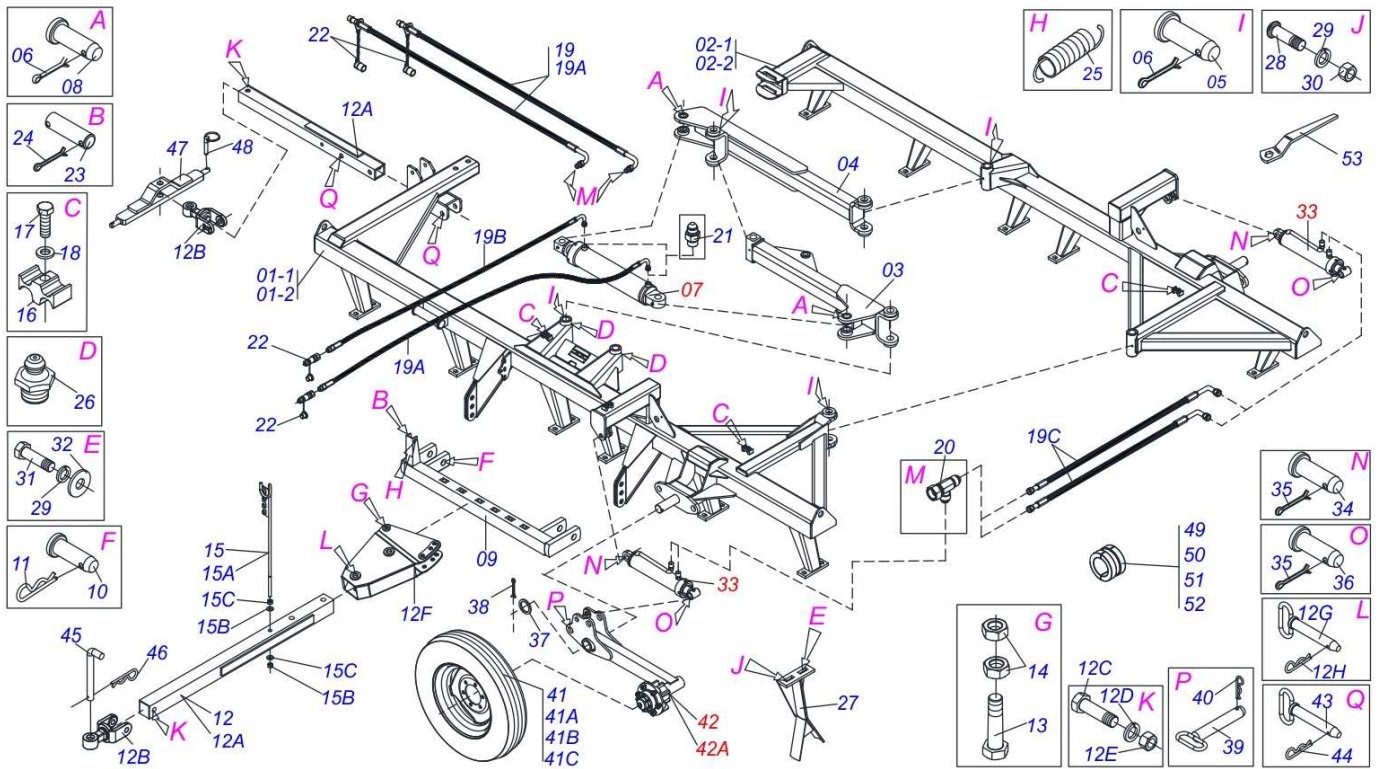
Code	Description
0121290005	GNP 40H 22X4.5 LR 61930047
0121290019	GNP 40H-PI 22X4.5 LR S-0613
0121290018	GNP 44H-PI 22 X 4,5 R S-1012
0121290015	GNP 44H-PI 22X4,5DR 61930158 S-0309
0121290007	GNP 44H-PI 22X4.5L/R 61930065 S0309
0121290013	GNP 48H-PI 22X4,5 R DESM 61930139
0121290009	GNP 48H-PI 22X4.5 LR DESM 61930083
0121290017	GNP 52H-PI 22X4.5 DL
0121290001	GNP 52H-PI 22X4.5 LR DESM 61930101
0121290014	GNP 52H-PI 22X4.5R DESM 61930149
0121290016	GNP 54H-PI 22 X 4,5 DR C/P 6.00X16
0121290012	GNP 54H-PI 22X4.5 LR DESM 61930120

## ATTENTION: **IMPORTANT**

*CIVEMASA RESERVES THE RIGHT AT ANY TIME TO MAKE IMPROVEMENTS IN THE DESIGN, MATERIAL OR SPECIFICATIONS OF MACHINERY, EQUIPMENT OR PARTS WITHOUT THEREBY BECOMING LIABLE TO MAKE SIMILAR CHANGES IN MACHINERY, EQUIPMENT OR PARTS PREVIOUSLY SOLD.*

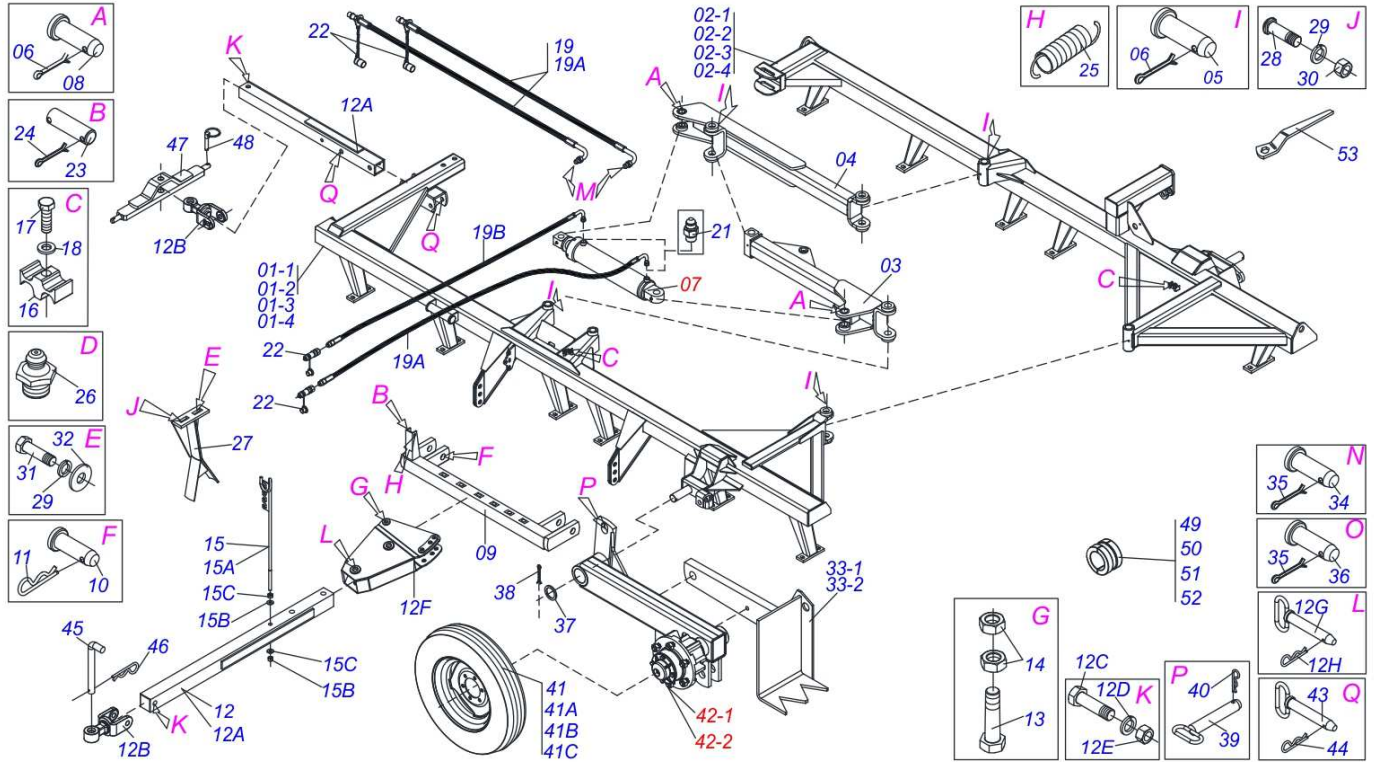
# INDEX

0909090685	FRAME GNP 40 A 44 H-PI (HIDR.WHEEL)	.....	1
0909090727	FRAME GNP 44 A 54 H-PI	.....	2
0511052234	FRONT CARRYING-WHEELS	.....	3
0511052233	FRONT CARRYING-WHEELS	.....	4
0501051637	RIGHT STUB SHAFT & HUB ASSY	.....	5
0501051638	LEFT STUB SHAFT & HUB ASSY	.....	6
0501047447	HYDRAULIC CYLINDER	.....	7
0511047982	HYDRAULIC CYLINDER	.....	8
0909090728	FRONT GANG DISC	.....	9
0909090729	REAR GANG DISC	.....	10



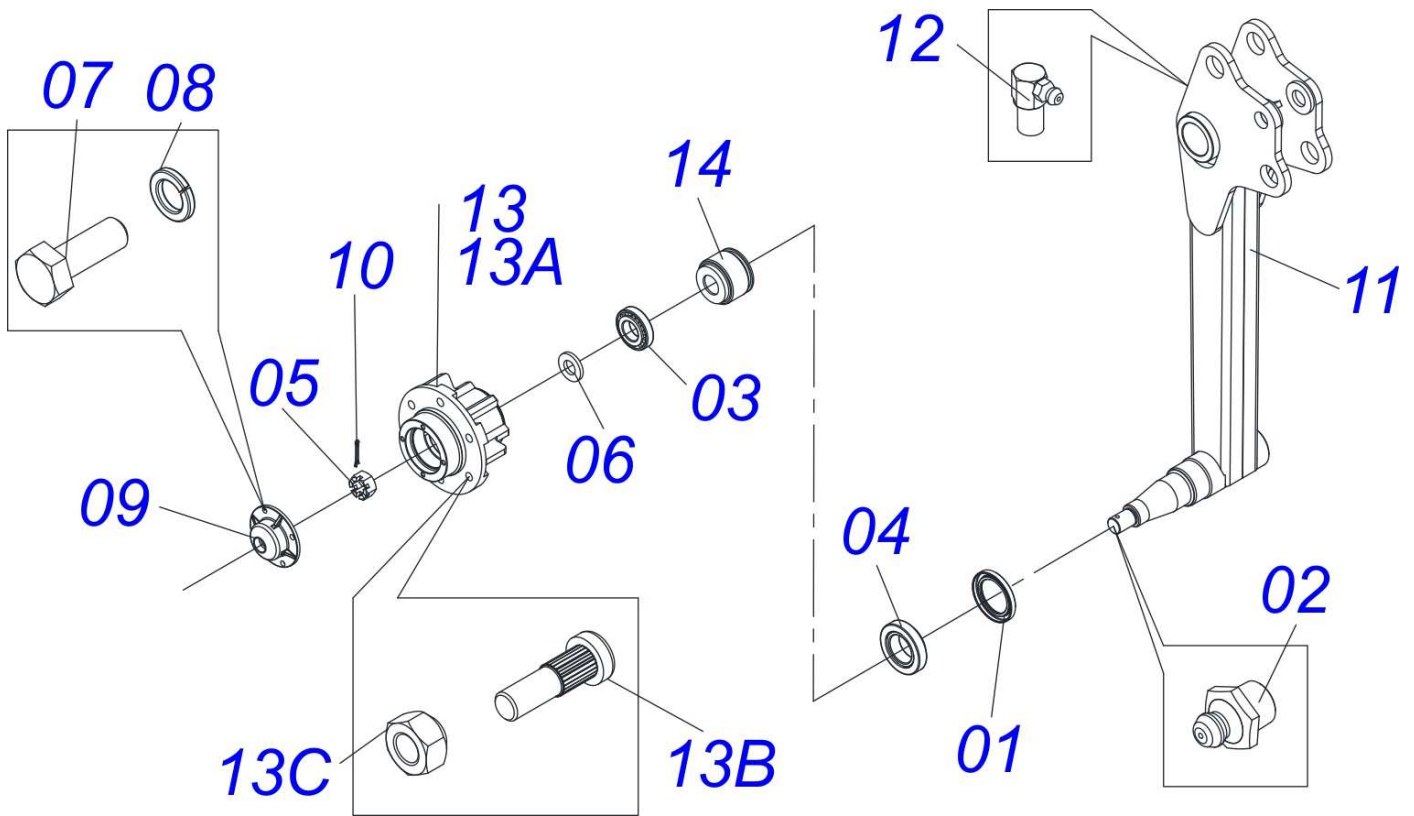
Item	Code	Description	40	44
01-1	0521063985	REAR FRAME	01	00
01-2	0521063418	REAR FRAME	00	01
02-1	0521063986	REAR FRAME	01	00
02-2	0521063427	REAR FRAME	00	01
03	0521060798	REAR ARM	01	01
04	0521060797	REAR ARM	01	01
05	0511060177	PIN	04	04
06	0503010010	1/4" X 2.1/2" COTTERPIN	06	06
07	0511047982	HYDRAULIC CYLINDER	01	01
08	0561013383	PIN	02	02
09	0521060800	DRAWBAR ASSY	01	01
10	0561013384	PIN	02	02
11	0503030012	HAIR PIN	02	02
12	0511048840	AXLE ASSY	01	01
12A	0501060188	DRAWBAR ASSY	02	02
12B	0521061775	TRACTOR HITCH	02	02
12C	0501010060	1" X 6-1/2" BOLT	02	02
12D	0503011438	SPRING WASHER	02	02
12E	0501010059	1.5/8 NUT	02	02
12F	0521060799	DRAWBAR SUPPORT	01	01
12G	0501075403	HITCH PIN	02	02
12H	0503030012	HAIR PIN	02	02
13	0503013185	3/4" X 5-1/2" BOLT	02	02
14	0503012183	SNC 3/4" ZIN 1K03097 NUT	04	04
15	0501040257	3/4 X 1200 HOSE HOLDER A	01	01
15A	0511067334	HOSE SOPPORT ASSY	01	01
15B	0501010322	FLAT WASHER	02	02
15C	0503010014	3/4" NUT	02	02
16	0502012702	BODY SUPPORT CLAMP	04	04
17	0503012555	7/16" X 2" BOLT	04	04
18	0503010180	7/16" SPRING WASHER	04	04
19	0511052238	ASSEMBLY	01	01
19A	0501080844	3/8 X 5500 TC-TM HOSE	03	03

Item	Code	Description	40	44
19B	0501080383	3/8" X 197" TC-TM HOSE ASSY	01	01
19C	0501080397	3/8" X 120" TR-TC HOSE ASSY	02	02
20	0503011968	T ADAPTOR WITH GIRAT	02	02
21	0501010617	3/4" NIPPLE	02	02
22	0501053834	QUICK CONECTION (MALE) 1/2	04	04
23	0521013816	PIN SEM HEAD PN-052 3090523 ZN	01	01
24	0503010362	1/8" X 1.1/4" COTTERPIN	01	01
25	0503033133	SPRING	01	01
26	0503010002	1800 GREASE FITTING	06	06
27	0511060204	CLEANER - OPTIONAL	28	32
28	0501010243	1/2" X 1-1/2" BOLT	52	62
29	0503010019	1/2" SPRING WASHER	56	64
30	0503010020	1/2"NUT	52	62
31	0501010155	1/2" X 1" BOLT	04	04
32	0501010937	FLAT WASHER	04	04
33	0501047447	HYDRAULIC CYLINDER	02	02
34	0521010574	C0.9" X 3.3" COUPLING SHAFT	02	02
35	0503010362	1/8" X 1.1/4" COTTERPIN	04	04
36	0521010579	COUPLING SHAFT	02	02
37	0501015875	FLAT WASHER	02	02
38	0503010073	3/8 X 3-1/2 COTTERPIN	02	02
39	0501069080	COUPLING SHAFT	02	02
40	0503031035	HAIR PIN	02	02
41	0503060094	WHEEL AND TIRE ASSY	02	02
41A	0503010894	0.2"X0.6"X4.6"X6F0.6"X6" WHEEL	02	02
41B	0503010068	6.00 X 16 INNER TIRE	02	02
41C	0503010065	CANVAS TIRE	02	02
42	0511052233	FRONT CARRYING-WHEELS	01	01
42A	0511052234	FRONT CARRYING-WHEELS	01	01
43	0501075403	HITCH PIN	02	02
44	0503030012	HAIR PIN	02	02
45	0521010453	GCOUPLING SHAFT	02	02
46	0503031035	HAIR PIN	02	02
47	0521062443	BAR FOR TRANSPORT	01	01
48	0503030430	7/16 X 2" PIN LOCK	02	02
49	0501047895	ROD STOP	02	02
50	0501047885	ROD STOP	01	01
51	0501047886	ROD STOP	01	01
52	0501047887	ROD STOP	01	01
53	0501011432	1-1/2" AND 1-5/8 GANG BOLT WRENCH	02	02



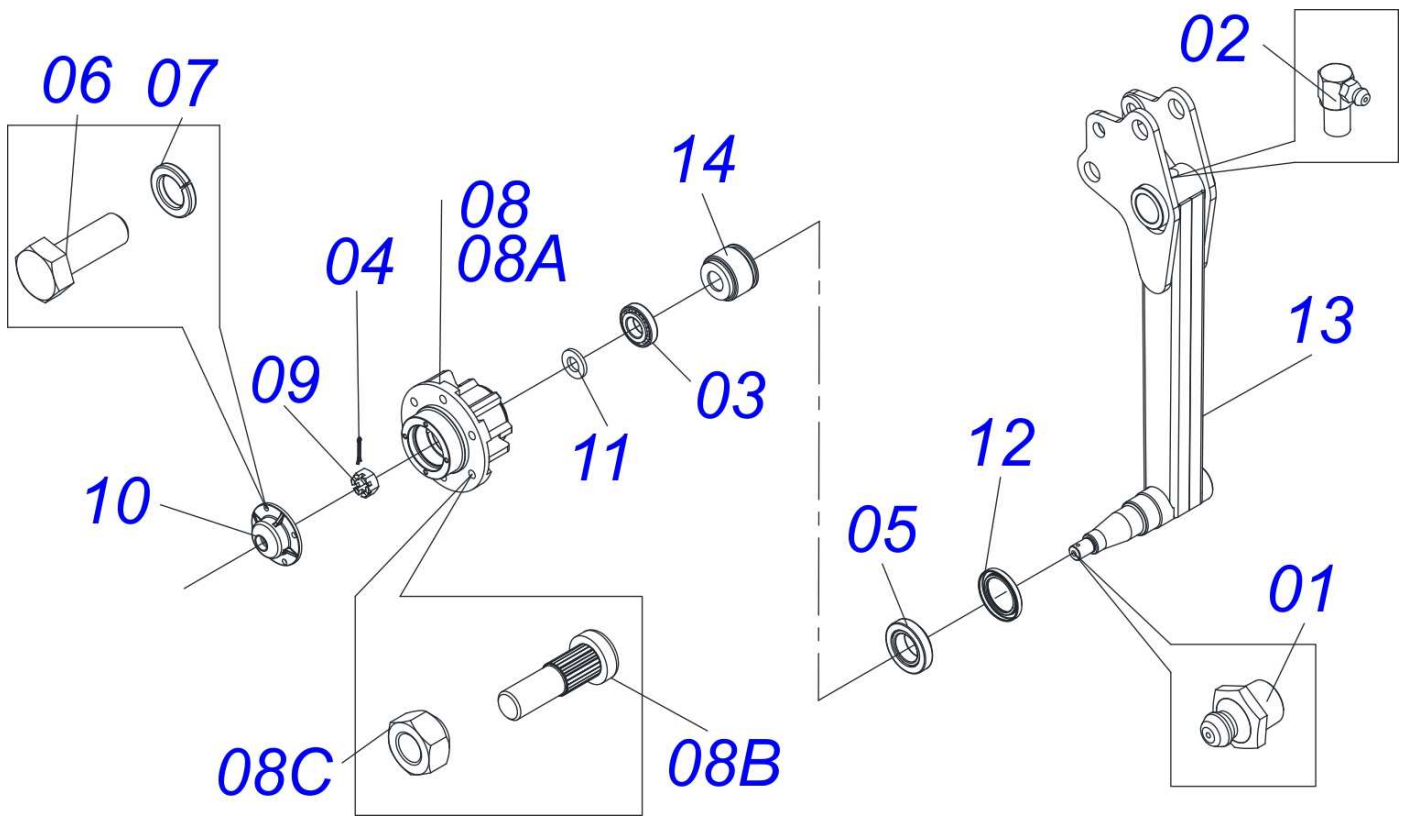
Item	Code	Description	44	48	52	54
001-1	0521060790	REAR FRAME	01	00	00	00
001-2	0521060788	REAR FRAME	00	01	00	00
001-3	0521060786	REAR FRAME	00	00	01	00
001-4	0521060792	REAR FRAME	00	00	00	01
002-1	0521060791	REAR FRAME	01	00	00	00
002-2	0521060789	REAR FRAME	00	01	00	00
002-3	0521060787	REAR FRAME	00	00	01	00
002-4	0521060785	REAR FRAME	00	00	00	01
003	0521060798	REAR ARM	01	01	01	01
004	0521060797	REAR ARM	01	01	01	01
005	0511060177	PIN	04	04	04	04
006	0503010010	1/4" X 2.1/2" COTTERPIN	10	10	10	10
007	0511047982	HYDRAULIC CYLINDER	01	01	01	01
008	0561013383	PIN	02	02	02	02
009	0521060800	DRAWBAR ASSY	01	01	01	01
010	0561013384	PIN	02	02	02	02
011	0503030012	HAIR PIN	02	02	02	02
012	0511048840	AXLE ASSY	01	01	01	01
012A	0501060188	DRAWBAR ASSY	01	01	01	01
012B	0521061775	TRACTOR HITCH	01	01	01	01
012C	0501010060	1" X 6-1/2" BOLT	01	01	01	01
012D	0503011438	SPRING WASHER	01	01	01	01
012E	0501010059	1.5/8 NUT	01	01	01	01
012F	0521060799	DRAWBAR SUPPORT	01	01	01	01
012G	0501075403	HITCH PIN	02	02	02	02
012H	0503030012	HAIR PIN	02	02	02	02
013	0503013185	3/4" X 5-1/2" BOLT	02	02	02	02
014	0503012183	SNC 3/4" ZIN 1K03097 NUT	04	04	04	04
015	0501040257	3/4 X 1200 HOSE HOLDER A	01	01	01	01
015A	0511067334	HOSE SOPPORT ASSY	01	01	01	01
015B	0501010322	FLAT WASHER	02	02	02	02
015C	0503010014	3/4" NUT	02	02	02	02
016	1902012702	UPPER CLAMP BODY	04	04	04	04

Item	Code	Description	44	48	52	54
017	0503012555	7/16" X 2" BOLT	04	04	04	04
018	0503010180	7/16" SPRING WASHER	04	04	04	04
019	0511052238	ASSEMBLY	01	01	01	01
019A	0501080844	3/8 X 5500 TC-TM HOSE	03	03	03	03
019B	0501080383	3/8" X 197" TC-TM HOSE ASSY	01	01	01	01
019C	0501080397	3/8" X 120" TR-TC HOSE ASSY	02	02	02	02
020	0503011968	T ADAPTOR WITH GIRAT	02	02	02	02
021	0501010617	3/4" NIPPLE	02	02	02	02
022	0501053834	QUICK CONECTION (MALE) 1/2	04	04	04	04
023	0521013816	PIN SEM HEAD PN-052 3090523 ZN	01	01	01	01
024	0503010362	1/8" X 1.1/4" COTTERPIN	01	01	01	01
025	0503033133	SPRING	01	01	01	01
026	0503010002	1800 GREASE FITTING	06	06	06	06
027	0511060204	CLEANER - OPTIONAL	32	36	40	42
028	0501010243	1/2" X 1-1/2" BOLT	44	48	52	54
029	0503010019	1/2" SPRING WASHER	48	52	56	58
030	0503010020	1/2"NUT	62	68	76	80
031	0501010155	1/2" X 1" BOLT	04	04	04	04
032	0501010937	FLAT WASHER	04	04	04	04
033	0501047447	HYDRAULIC CYLINDER	02	02	02	02
034	0521010574	C0.9" X 3.3" COUPLING SHAFT	02	02	02	02
035	0503010362	1/8" X 1.1/4" COTTERPIN	04	04	04	04
036	0521010579	COUPLING SHAFT	02	02	02	02
037	0501015875	FLAT WASHER	02	02	02	02
038	0503010073	3/8 X 3-1/2 COTTERPIN	02	02	02	02
039	0501069080	COUPLING SHAFT	02	02	02	02
040	0503031035	HAIR PIN	02	02	02	02
041	0503060094	WHEEL AND TIRE ASSY	02	02	02	02
041A	0503010894	0.2"X0.6"X4.6"X6F0.6"X6" WHEEL	02	02	02	02
041B	0503010068	6.00 X 16 INNER TIRE	02	02	02	02
041C	0503010065	CANVAS TIRE	02	02	02	02
042-1	0501051638	LEFT STUB SHAFT & HUB ASSY	01	01	01	01
042-2	0501051637	RIGHT STUB SHAFT & HUB ASSY	01	01	01	01
043	0501075403	HITCH PIN	02	02	02	02
044	0503030012	HAIR PIN	62	68	76	80
045	0521010453	GCOUPLING SHAFT	64	70	78	82
046	0503031035	HAIR PIN	02	02	02	02
047	0521062443	BAR FOR TRANSPORT	01	01	01	01
048	0503030430	7/16 X 2" PIN LOCK	02	02	02	02
049	0501047895	ROD STOP	02	02	02	02
050	0501047885	ROD STOP	01	01	01	01
051	0501047886	ROD STOP	01	01	01	01
052	0501047887	ROD STOP	01	01	01	01
053	0501011432	1-1/2" AND 1-5/8 GANG BOLT WRENCH	02	02	02	02

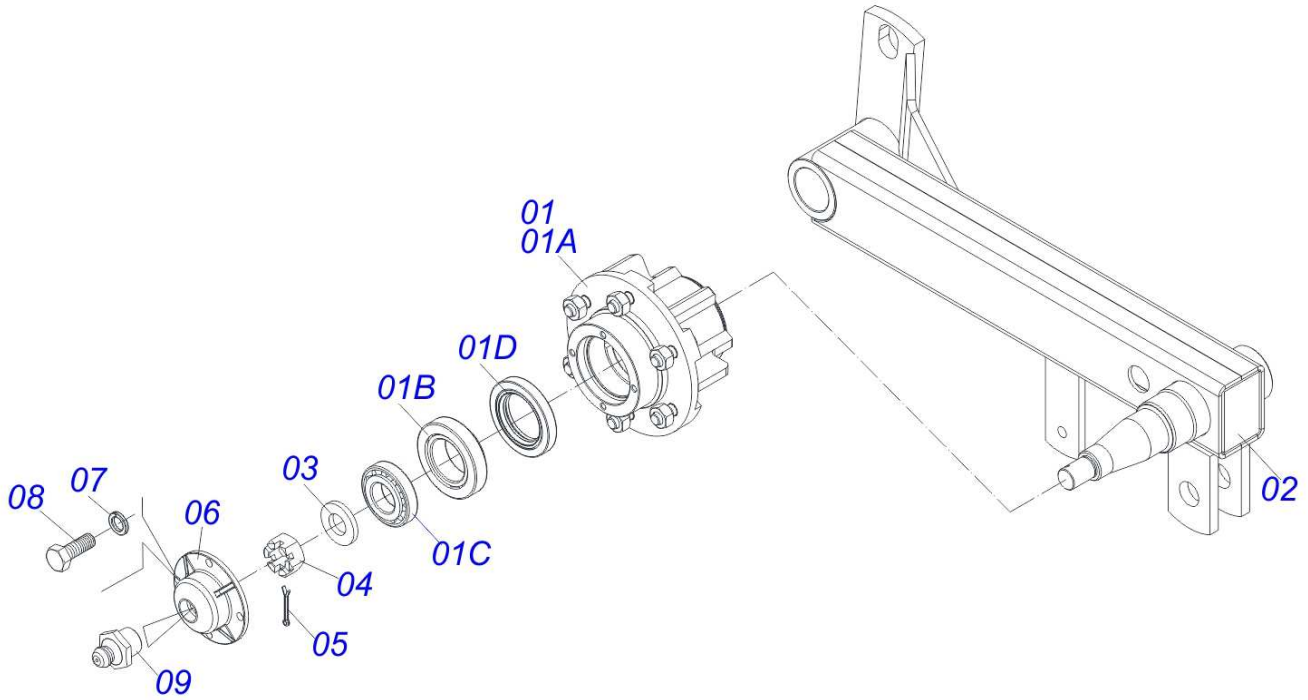


Item	Code	Description	QT
001	0503011867	00517-BR SEAL WITH HOLE	01
002	0503010002	1800 GREASE FITTING	01
003	0503010006	32210 ROLLER BEARING	01
004	0503010037	30207 ROLLER BEARING	01
005	0503030009	1" CASTLE NUT	01
006	0501016545	FLAT WASHER	01
007	0503010178	5/16" X 7/8" BOLT	04
008	0503010179	SPRING WASHER	04
009	0502020591	PROTECCION COVER	01
010	0503010018	5/32 X 1-1/2 COTTERPIN	01
011	0521064067	CARRYNG-WHEEL SUPPORT	01
012	0503010004	1890 GREASE FITTING	01
013	0501110728	WHEEL HUB	01
013A	0502011121	CARRYING WHEEL HUB	01
013B	0501010127	9/16" X 1-7/8" LUG BOLT	06
013C	0503010035	9/16" CONIC NUT	06
014	1882970002	GREASE SOAP	00

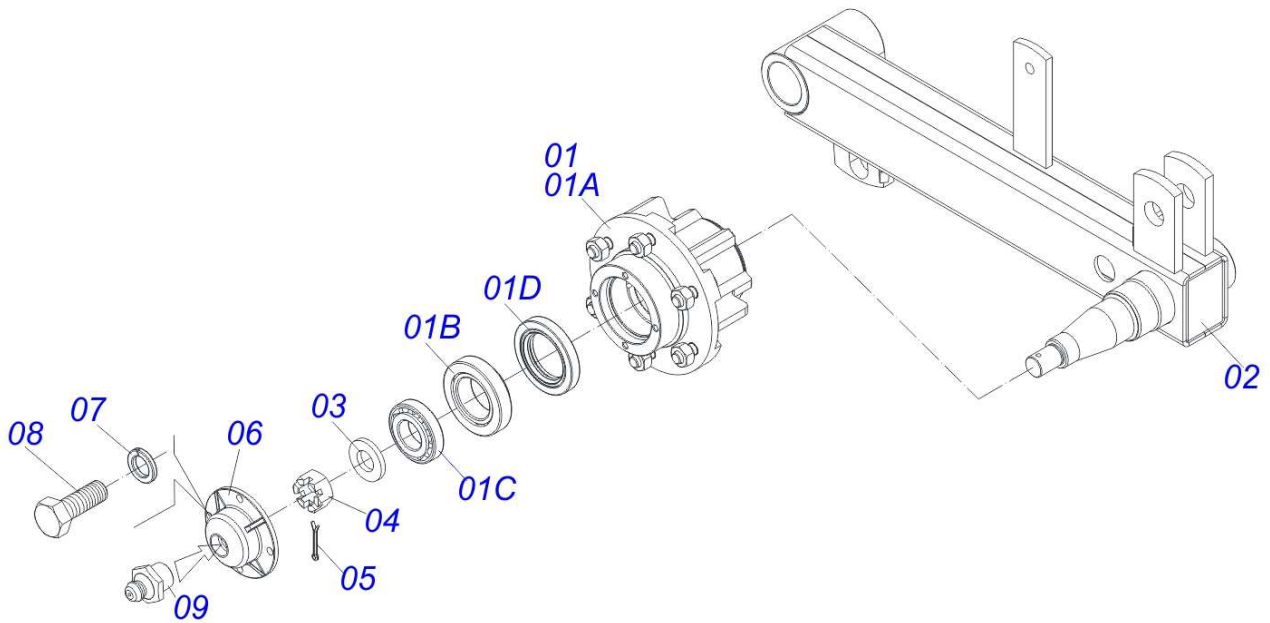




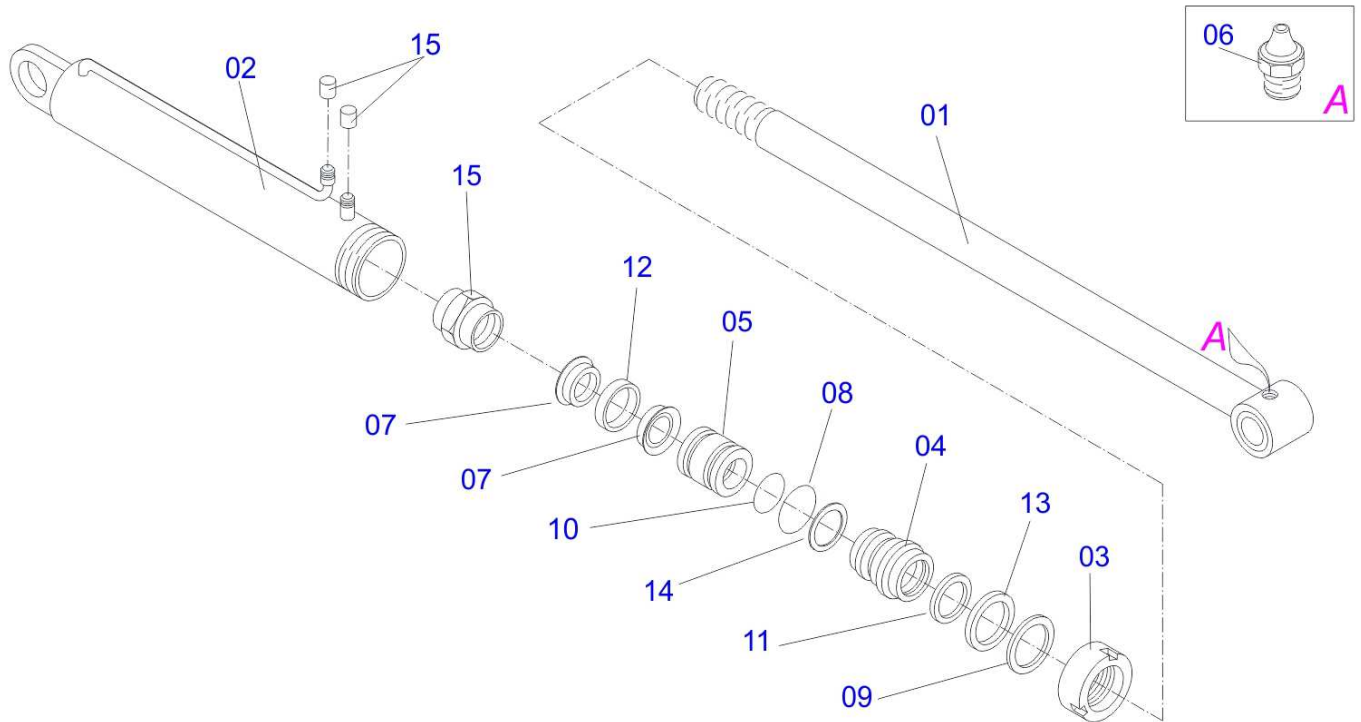
Item	Code	Description	QT
001	0503010002	1800 GREASE FITTING	01
002	0503010004	1890 GREASE FITTING	01
003	0503010006	32210 ROLLER BEARING	01
004	0503010018	5/32 X 1-1/2 COTTERPIN	01
005	0503010037	30207 ROLLER BEARING	01
006	0503010178	5/16" X 7/8" BOLT	04
007	0503010179	SPRING WASHER	04
008	0501110728	WHEEL HUB	01
008A	0502011121	CARRYING WHEEL HUB	01
008B	0501010127	9/16" X 1-7/8" LUG BOLT	06
008C	0503010035	9/16" CONIC NUT	06
009	0503030009	1" CASTLE NUT	01
010	0502020591	PROTECCION COVER	01
011	0501016545	FLAT WASHER	01
012	0503011867	00517-BR SEAL WITH HOLE	01
013	0521064068	CARRYNG-WHEEL SUPPORT	01
014	1882970002	GREASE SOAP	00



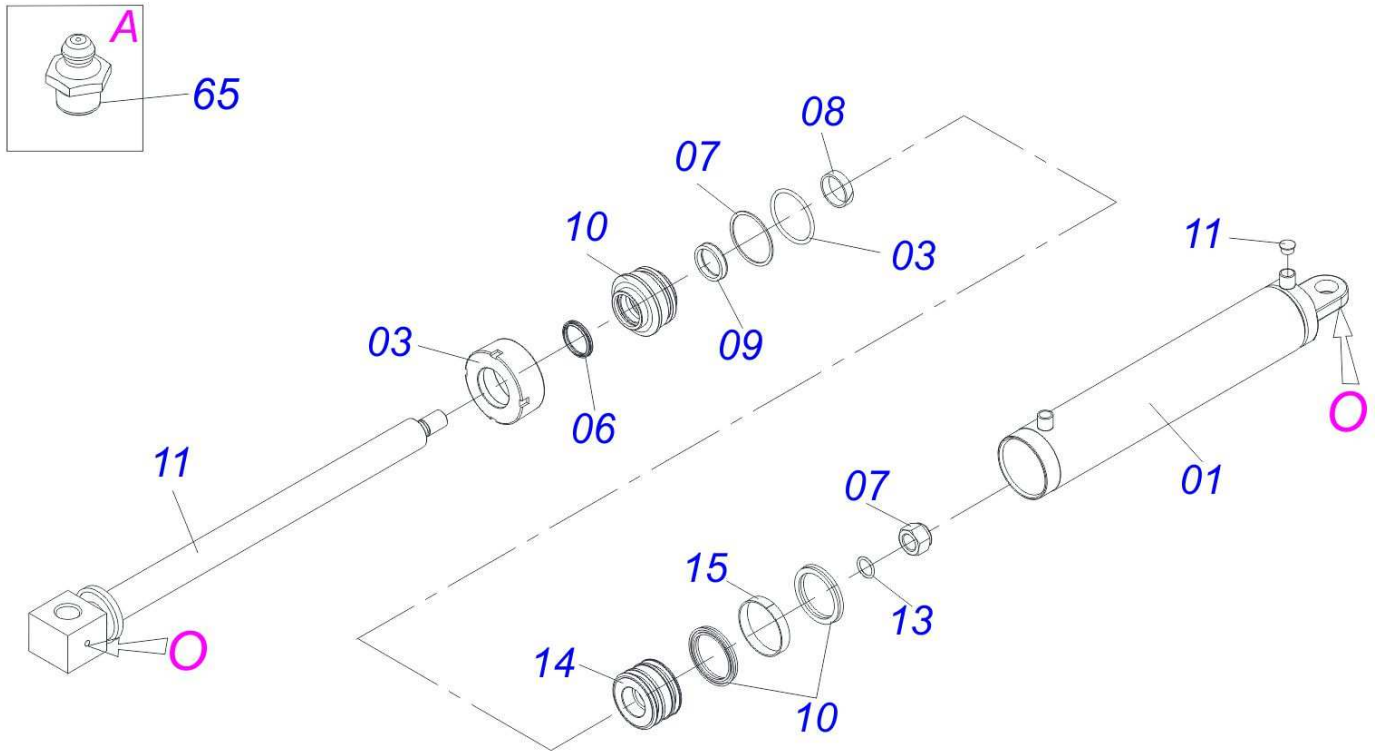
Item	Code	Description	QT
001	0501051142	CARRYING WHEEL HUB	01
001A	0501110728	WHEEL HUB	01
001B	0503010006	32210 ROLLER BEARING	01
001C	0503010037	30207 ROLLER BEARING	01
001D	0503012928	SEAL	01
002	0501068991	RIG CARRYING-WHEEL FIXATION SUPPORT	01
003	0501016545	FLAT WASHER	01
004	0503030009	1" CASTLE NUT	01
005	0503010018	5/32 X 1-1/2 COTTERPIN	01
006	0502020591	PROTECCION COVER	01
007	0503011444	SPRING WASHER	04
008	0503010358	5/16" X 5/8" BOLT	04
009	0503010002	1800 GREASE FITTING	01



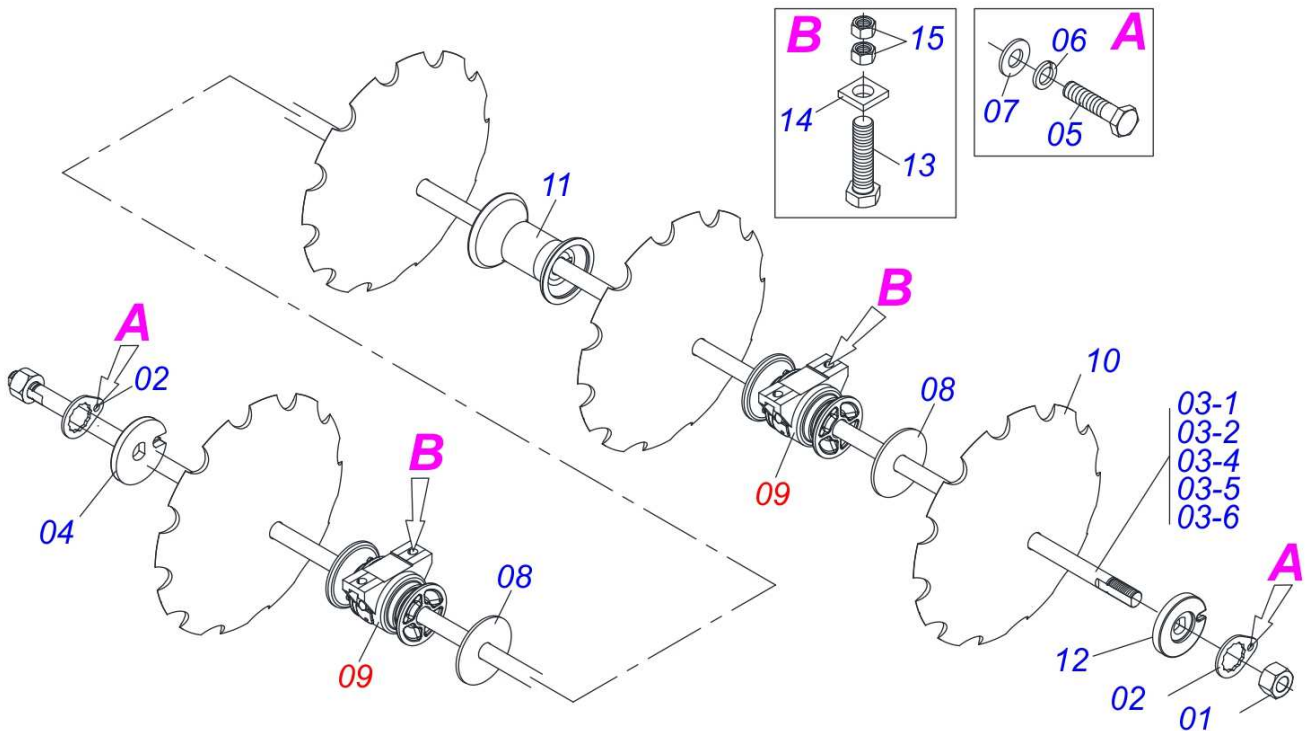
Item	Code	Description	QT
01	0501051142	CARRYING WHEEL HUB	01
01A	0501110728	WHEEL HUB	01
01B	0503010006	32210 ROLLER BEARING	01
01C	0503010037	30207 ROLLER BEARING	01
01D	0503012928	SEAL	01
02	0501069091	LEFT CARRYING-W FIXATION SUPPORT	01
03	0501016545	FLAT WASHER	01
04	0503030009	1" CASTLE NUT	01
05	0503010018	5/32 X 1-1/2 COTTERPIN	01
06	0502020591	PROTECCION COVER	01
07	0503011444	SPRING WASHER	04
08	0503010358	5/16" X 5/8" BOLT	04
09	0503010002	1800 GREASE FITTING	01



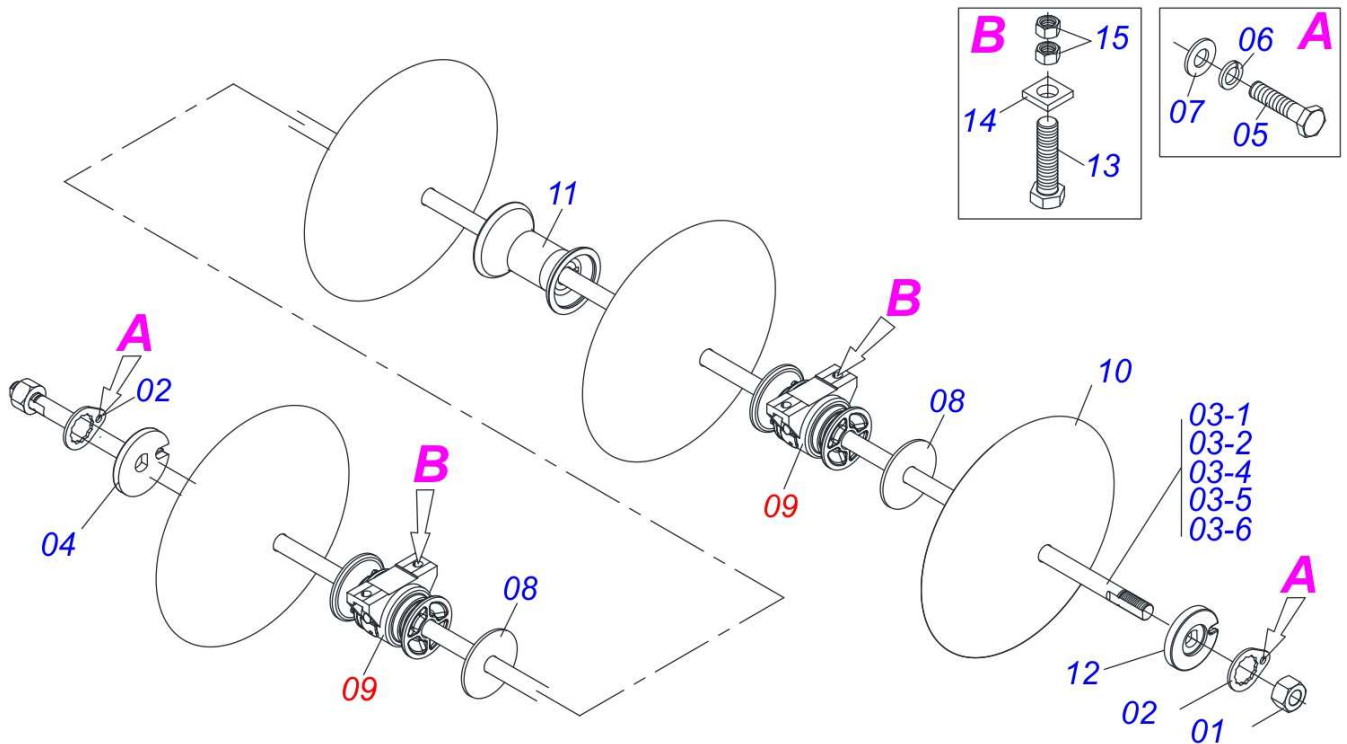
Item	Code	Description	QT
00	0501047447	HYDRAULIC CYLINDER	01
01	0501068721	1.5" X 14.1" TURNBUCLE	01
02	0501068722	63,50 X 328 CYLINDER CASE	01
03	0502010471	MOBILE COVER	01
04	0502010780	RING SUPPORT	01
05	0502010783	1.5" X 2.5" PISTON	01
06	0503010002	1800 GREASE FITTING	01
07	0503010160	2500 2000 GASKET	02
08	0503010161	2-330 N 3006 9B O'RING	01
09	0503010163	D-1500 SCRAPER RING	01
10	0503010285	2-222 N 3006-9B O'RING	01
11	0503010970	W1-1650-500 PK O'RING G.E	01
12	0503010973	W2-2500-500 PK O'RING G.E	01
13	0503010989	1870-1500-375-B GASKET	01
14	0503011058	8-330 BACK-UP RING	01
15	0503011980	1" UNF LOCKNUT	01
16	0503030385	PLUG	02



Item	Code	Description	QT
00	0511047982	HYDRAULIC CYLINDER	01
01	0521060776	CYLINDER CASE	01
02	0503010952	W2-2250-500 PK RING G.E	01
03	0502010017	4" HEAD	01
04	0502010778	2" X 4.2" RING SUPPORT	01
05	0503010043	PACKING 3750-3250	02
06	0503030384	CON N-001 PLUG	02
07	0503010817	1-1/4" SELF-ADJUSTING NUT	01
08	0503010345	2-218 N 3006-9B O'RING	01
09	0503010994	W2-4000-500 PK RING G.E	01
10	0502010992	2.0" X 4.0" PISTON	01
11	0521060775	RIGHT BRAKE	01
12	0503010338	2-342 N 3006-9B O'RING	01
13	0503011061	8-342 BACK-UP RING	01
14	0503010039	D-2000 SCRAPER RING	01
15	0503010991	PACKING 1870-2000-375-B	01
16	0503010002	1800 GREASE FITTING	02



Item	Code	Description	40	44	48	52	54
001	0501010110	1.1/2" NUT	04	04	04	04	04
002	0501018592	1.5/8" NUT LOCK	04	04	04	04	04
003-1	0521040668	1.1/2" X 1920 AXLE ASSY	04	00	00	00	00
003-2	0511050184	AXLE DISC WITH NUTS	00	04	00	00	00
003-3	0511050329	AXLE DISC WITH NUTS	00	00	04	00	00
003-4	0511050329	AXLE DISC WITH NUTS	00	00	00	04	00
003-5	0511050305	AXLE DISC WITH NUTS	00	00	00	00	02
003-6	0511050778	AXLE DISC WITH NUTS	00	00	00	04	02
004	0502010872	1-1/2" INNER AXLE WASHER	04	04	04	04	04
005	0503011267	5/8" X 1.1/2" BOLT	08	08	08	08	08
006	0503010027	SPRING WASHER	08	08	08	08	08
007	0503010013	5/8" NUT	08	08	08	08	08
008	0521013879	GNC 57900 CHOCK	08	08	08	08	08
009	0511040472	AGRICULTURAL BEARING	12	12	12	12	12
010	0602029003	22" X 4,5 NOTCHED DISC BLADE	40	44	48	52	54
011	0502011594	SPACER	24	28	32	36	38
012	0502010871	1-1/2" EXTERNAL AXLE WASHER	04	04	04	04	04
013	0503010129	5/8" NUT	24	24	24	24	24
014	0503012246	5/8" X 2-3/4" BOLT	24	24	24	24	24
015	0521013775	FLAT WASHER	24	24	24	24	24



Item	Code	Description	40	44	48	52	54
001	0501010110	1.1/2" NUT	04	04	04	04	04
002	0501018592	1.5/8" NUT LOCK	04	04	04	04	04
003-1	0521040668	1.1/2" X 1920 AXLE ASSY	04	00	00	00	00
003-2	0511050184	AXLE DISC WITH NUTS	00	04	00	00	00
003-3	0511050329	AXLE DISC WITH NUTS	00	00	04	00	00
003-4	0511050329	AXLE DISC WITH NUTS	00	00	00	04	00
003-5	0511050305	AXLE DISC WITH NUTS	00	00	00	00	02
003-6	0511050778	AXLE DISC WITH NUTS	00	00	00	04	02
004	0502010872	1-1/2" INNER AXLE WASHER	04	04	04	04	04
005	0503011267	5/8" X 1.1/2" BOLT	08	08	08	08	08
006	0503010027	SPRING WASHER	08	08	08	08	08
007	0503010013	5/8" NUT	08	08	08	08	08
008	0521013879	GNC 57900 CHOCK	08	08	08	08	08
009	0511040472	AGRICULTURAL BEARING	12	12	12	12	12
010	0601029003	22" X 4,5 PLAIN DISC BLADE	40	44	48	52	54
011	0502011594	SPACER	24	28	32	36	38
012	0502010871	1-1/2" EXTERNAL AXLE WASHER	04	04	04	04	04
013	0503012246	5/8" X 2-3/4" BOLT	24	24	24	24	24
014	0521013775	FLAT WASHER	24	24	24	24	24
015	0503010129	5/8" NUT	24	24	24	24	24







email: [civemasa@civemasa.com.br](mailto:civemasa@civemasa.com.br)

[www.civemasa.com.br](http://www.civemasa.com.br)

Phone: +55 16.3382.8222

Fax: +55 16.3382.8355

## MARCHESAN IMPLEMENTOS E MÁQUINAS AGRÍCOLAS "TATU" S.A.

Av. Marchesan, 1979 - Post Office box, 131 - Cep 15994-900 - Matão - Sp - Brasil

CNPJ 52.311.289/0001-63 | Inst. Est.441.000.151.114

**Technical Publications: Elaboration**

ALESSANDRA PATRICIA KAWAHARA CARRILI

**Technical Publications: Revision**

ALESSANDRA PATRICIA KAWAHARA CARRILI

Contact Catálogo:

E-mail = [jgaspari@marchesan.com.br](mailto:jgaspari@marchesan.com.br)

ORIGINAIS PARTS  
CIVEMASA

**civemasa**