

PARTS CATALOGUE

DISK HARROWS

GHC 16 A 28 D.

Code: 0501091234



Series: S-0404

Review: MAIO/2015

**ORIGINAL PARTS
CIVEMASA**

civemasa

PRODUCTS

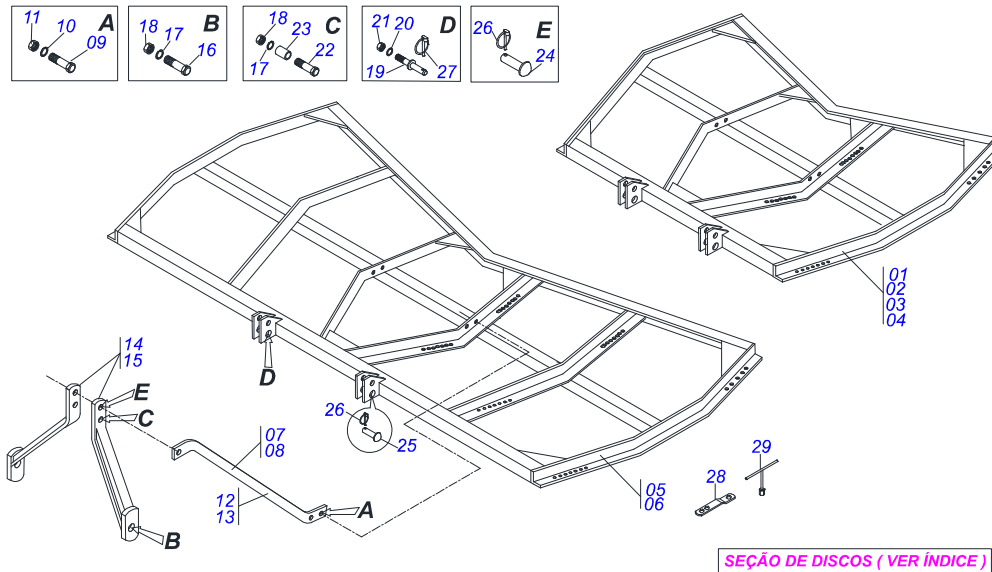
Code	Description
0120690036	GHC 16 X 20 X 3,5 CM L/R S-0404
0120690034	GHC 20 X 22 X 4,5 L/R S-0404
0120690038	GHC 24 X 20 X 3,5 MA L/R S-0693
0120690035	GHC 24 X 22 X 4,5 L/R S-0404
0120690037	GHC 28 X 22 X 4,5 DM L/R S-0404

ATTENTION: **IMPORTANT**

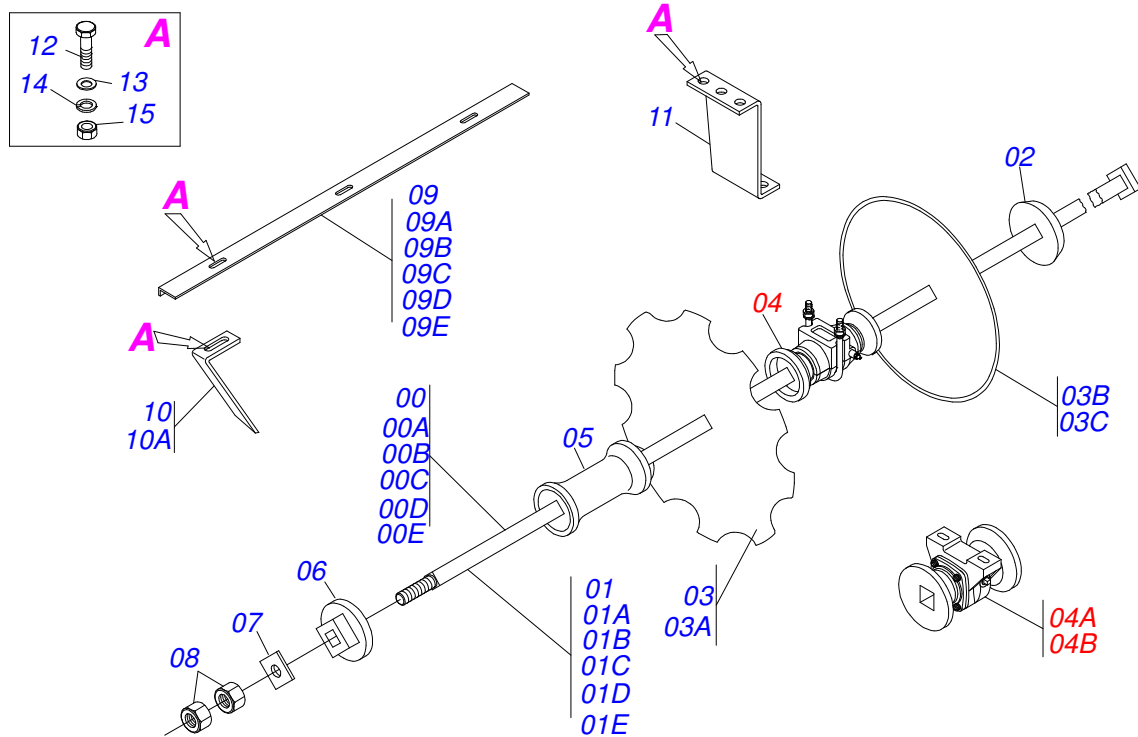
CIVEMASA RESERVES THE RIGHT AT ANY TIME TO MAKE IMPROVEMENTS IN THE DESIGN, MATERIAL OR SPECIFICATIONS OF MACHINERY, EQUIPMENT OR PARTS WITHOUT THEREBY BECOMING LIABLE TO MAKE SIMILAR CHANGES IN MACHINERY, EQUIPMENT OR PARTS PREVIOUSLY SOLD.

INDEX

0909090695	GHC 16 A 28 D.	1
0909090181	GANG DISC	2
0501040132	FRICTION BEARING ASSY	3
0501046912	CM GX 7" Q 1 PR BEARING ASSY	4
0501046921	7.5" Q1" OIL BATH BEARING	5

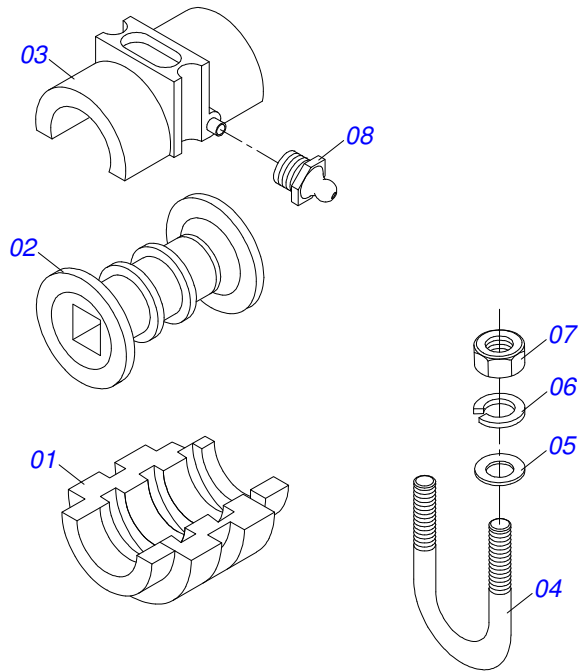


Item	Code	Description	16	20	24	28
01	0501068347	FRAME	01	00	00	00
02	0501062197	FRAME	00	01	00	00
03	0521064912	FRAME	00	00	01	00
04	0501066433	FRAME	00	00	00	01
05	0501066434	FRAME	00	00	00	00
06	0501066435	FRAME	00	00	00	00
07	0501010404	RIGHT ATTACHMENT BAR	01	01	01	00
08	0501010406	RIGHT ATTACHMENT BAR	00	00	00	01
09	0503011082	C1/2" X 1.3/4" BOLT	04	04	04	04
10	0503010019	1/2" SPRING WASHER	04	04	04	04
11	0503010060	1/2" NUT	04	04	04	04
12	0501010407	LEFT ATTACHMENT BAR	01	01	01	00
13	0501010409	LEFT ATTACHMENT BAR	00	00	00	01
14	0551010920	DRAWBAR	02	00	00	00
15	0501066378	SEMI CAB	00	02	02	02
16	0501018059	3/4" X 2-1/4" BOLT	00	02	02	02
17	0503010023	SPRING WASHER	00	02	02	02
18	0503010014	3/4" NUT	00	02	02	02
19	0521010634	1" X 6.4" COUPLING SHAFT	02	00	00	00
20	0503010012	1" SPRING WASHER	02	00	00	00
21	0503010340	1" NUT	02	00	00	00
22	0503011198	C3/4" X 6" BOLT	01	01	01	01
23	0521010490	SLEEVE SPACER	01	01	01	01
24	0521010578	COUPLING SHAFT	01	01	01	01
24A	0521010579	COUPLING SHAFT	01	01	01	01
25	0521010592	1.1" X 3.1" COUPLING SHAFT	00	02	02	02
26	0503030085	LOCK PIN	00	02	02	02
27	0503030430	7/16 X 2" PIN LOCK	02	00	00	00
28	0501010095	5/8" X 3/4" X 1" UNIVERSAL WRENCH	01	01	01	01
29	0501062925	9/16" WRENCH T	01	01	01	01

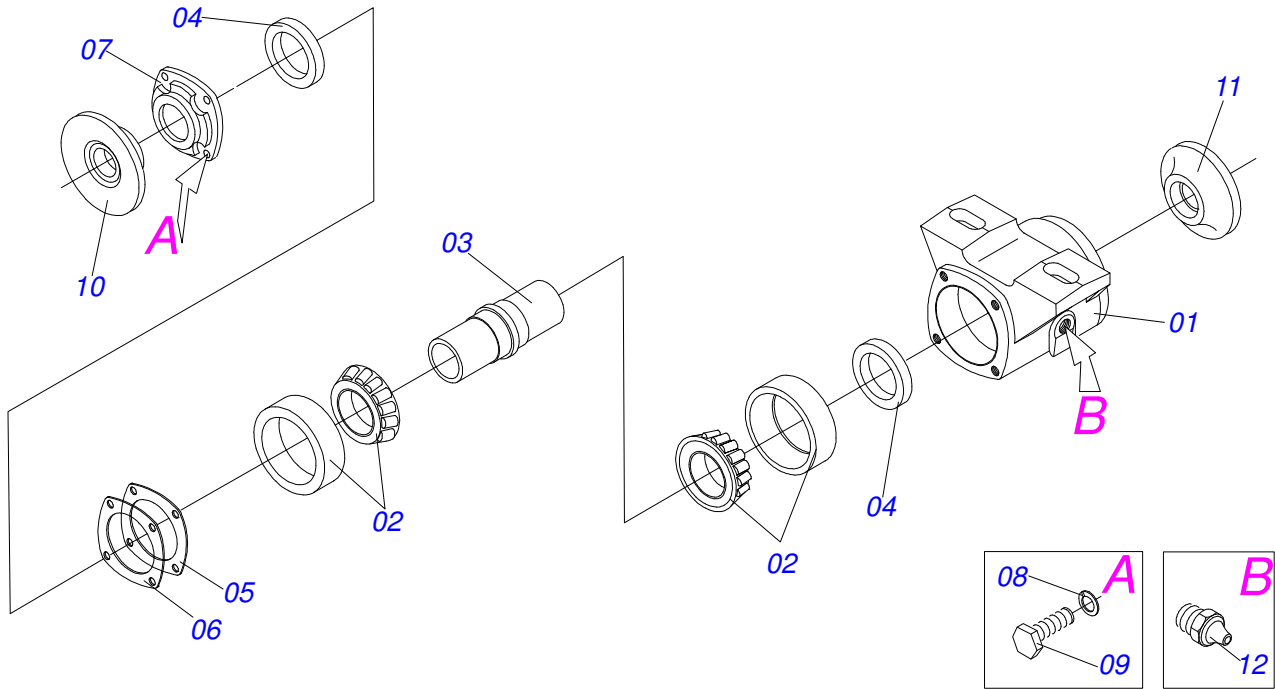


Item	Code	Description	16	20	24	28	32	36
00	0501040681	1" X 27.7" SQUARE AXLE WITH NUTS	04	00	00	00	00	00
00A	0501044108	1" X 35.6" SQUARE AXLE WITH NUTS	00	04	00	00	00	00
00B	0501044110	1" X 43.3" SQUARE AXLE WITH NUTS	00	00	04	00	00	00
00C	0501044114	1" X 51" SQUARE AXLE WITH NUTS	00	00	00	04	00	00
00D	0501044117	1" X 59" SQUARE AXLE WITH NUTS	00	00	00	00	04	00
00E	0501044118	1" X 66.5" SQUARE AXLE WITH NUTS	00	00	00	00	00	04
01	0501010441	1" X 27.7" SQUARE SHAFT	04	00	00	00	00	00
01A	0511011994	1" X 35.6" SQUARE SHAFT	00	04	00	00	00	00
01B	0511011995	1" X 43.3" SQUARE SHAFT	00	00	04	00	00	00
01C	0511011996	1" X 51" SQUARE SHAFT	00	00	00	04	00	00
01D	0511011997	1" X 59" SQUARE SHAFT	00	00	00	00	04	00
01E	0511011998	1" X 66.5" SQUARE SHAFT	00	00	00	00	00	04
02	0502010075	EXTERNAL AXLE WASHER	04	04	04	04	04	04
03	0602029076	22" X 0.2" NOTCHED DISC BLADE	08	10	12	14	16	18
03A	0602027001	20" X 0.2" NOTCHED DISC BLADE	08	10	12	14	16	18
03B	0601029015	22" X 0.2" PLAIN DISC BLADE	08	10	12	14	16	18
03C	0601027001	20" X 0.1" PLAIN DISC BLADE	08	08	08	08	10	12
04	0501040132	FRICTION BEARING ASSY	08	08	08	08	10	12
04A	0501046912	CM GX 7" Q 1 PR BEARING ASSY	08	08	08	08	10	12
04B	0501046921	7.5" Q1" OIL BATH BEARING	08	08	08	08	10	12
05	0502010933	192,5 SPACER	04	08	12	16	18	20
06	0502010076	INNER AXLE WASHER FQ	04	04	04	04	04	04
07	0501010450	NUT LOCK	04	04	04	04	04	04
08	0501010059	1.5/8 NUT	08	08	08	08	08	08
09	0511011999	19.5" BAR OF THE FIX OF THE SCRAPER	04	00	00	00	00	00
09A	0511012000	27.2" BAR OF THE FIX OF THE SCRAPER	00	04	00	00	00	00
09B	0511012001	35" BAR OF THE FIX OF THE SCRAPER	00	00	04	00	00	00
09C	0511012002	42.7" BAR OF THE FIX OF THE SCRAPER	00	00	00	04	00	00
09D	0511012003	50.4" BAR OF THE FIX OF THE SCRAPER	00	00	00	00	04	00
09E	0511012004	58.3" BAR OF THE FIX OF THE SCRAPER	00	00	00	00	00	04
10	0511014512	FRONT SCRAPER GH	02	04	06	08	09	10
10A	0511014511	REAR SCRAPER GH	02	04	06	08	09	10
11	0501010451	BRACKET	08	08	08	08	10	12

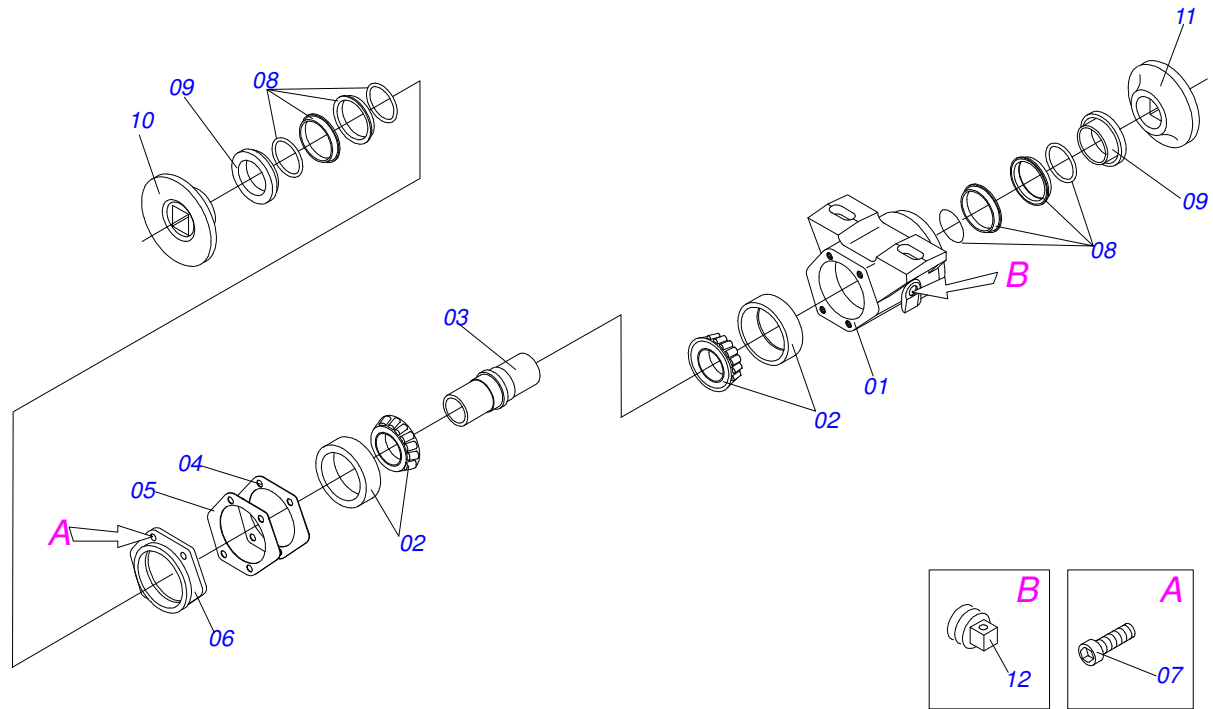
Item	Code	Description	16	20	24	28	32	36
12	0503011082	C1/2" X 1.3/4" BOLT	36	40	44	48	58	68
13	0511017302	FLAT WASHER	36	40	44	48	58	68
14	0503010019	1/2" SPRING WASHER	36	40	44	48	58	68
15	0503010060	1/2" NUT	36	40	44	48	58	68



Item	Code	Description	QT
01	0502030006	LOWER COVER HOUSING	01
02	0502030011	REEL	01
03	0502030004	UPPER COVER HOUSING	01
04	0521012326	5/8 UNC X 138 X 117 FASTENER	01
05	0501012140	FLAT WASHER	02
06	0503010027	SPRING WASHER	02
07	0503010013	5/8" NUT	02
08	0503010002	1800 GREASE FITTING	01



Item	Code	Description	QT
00	0501046912	CM GX 7" Q 1 PR BEARING ASSY	01
01	0502020313	HOUSING CM	01
02	0503010111	30210 ROLLER BEARING	02
03	0502040381	AXLE	01
04	0503010468	SEAL 01199-GB	02
05	0503030013	4.4" X 3.5" X 0.004" JOINT	02
06	0503030684	4.4" X 3.5" X 0.004" JOINT	01
07	0502020273	HOUSING CAP CM	01
08	0503011443	SPRING WASHER	04
09	0503011087	3/8" X 1" BOLT	04
10	0502010297	OUTER FLANGE	01
11	0502010298	INNER FLANGE	01
12	0503010002	1800 GREASE FITTING	01



Item	Code	Description	QT
00	0501046921	7.5" Q1" OIL BATH BEARING	01
01	0502010540	HOUSING DM	01
02	0503010111	30210 ROLLER BEARING	02
03	0502040381	AXLE	01
04	0503030013	4.4" X 3.5" X 0.004" JOINT	02
05	0503030684	4.4" X 3.5" X 0.004" JOINT	01
06	0502020424	HOUSING CAP DM	01
07	0503010134	3/8" X 1" BOLT	04
08	0503030026	SEAL LP JB-253	02
09	0502010541	SEAL RETAINER	02
10	0502010297	OUTER FLANGE	01
11	0502010298	INNER FLANGE	01
12	0503010856	OIL PLUG	01



email: civemasa@civemasa.com.br

www.civemasa.com.br

Phone: +55 16.3382.8222

Fax: +55 16.3382.8355

MARCHESAN IMPLEMENTOS E MÁQUINAS AGRÍCOLAS "TATU" S.A.

Av. Marchesan, 1979 - Post Office box, 131 - Cep 15994-900 - Matão - Sp - Brasil

CNPJ 52.311.289/0001-63 | Inst. Est.441.000.151.114

Technical Publications: Elaboration

ALESSANDRA PATRICIA KAWAHARA CARRILI

Technical Publications: Revision

ALESSANDRA PATRICIA KAWAHARA CARRILI

Contact Catálogo:

E-mail = jgaspari@marchesan.com.br

ORIGINAIS PARTS
CIVEMASA