

DISK HARROWS

GDCR 28/32/36/40/44/48/52/56/60/64D

Code: 0501091230

Series: S-0794

Revision: 00

Revision Date: MAIO/2015

**PARTS
CATALOGUE**

CIVEMASA

PRODUCTS

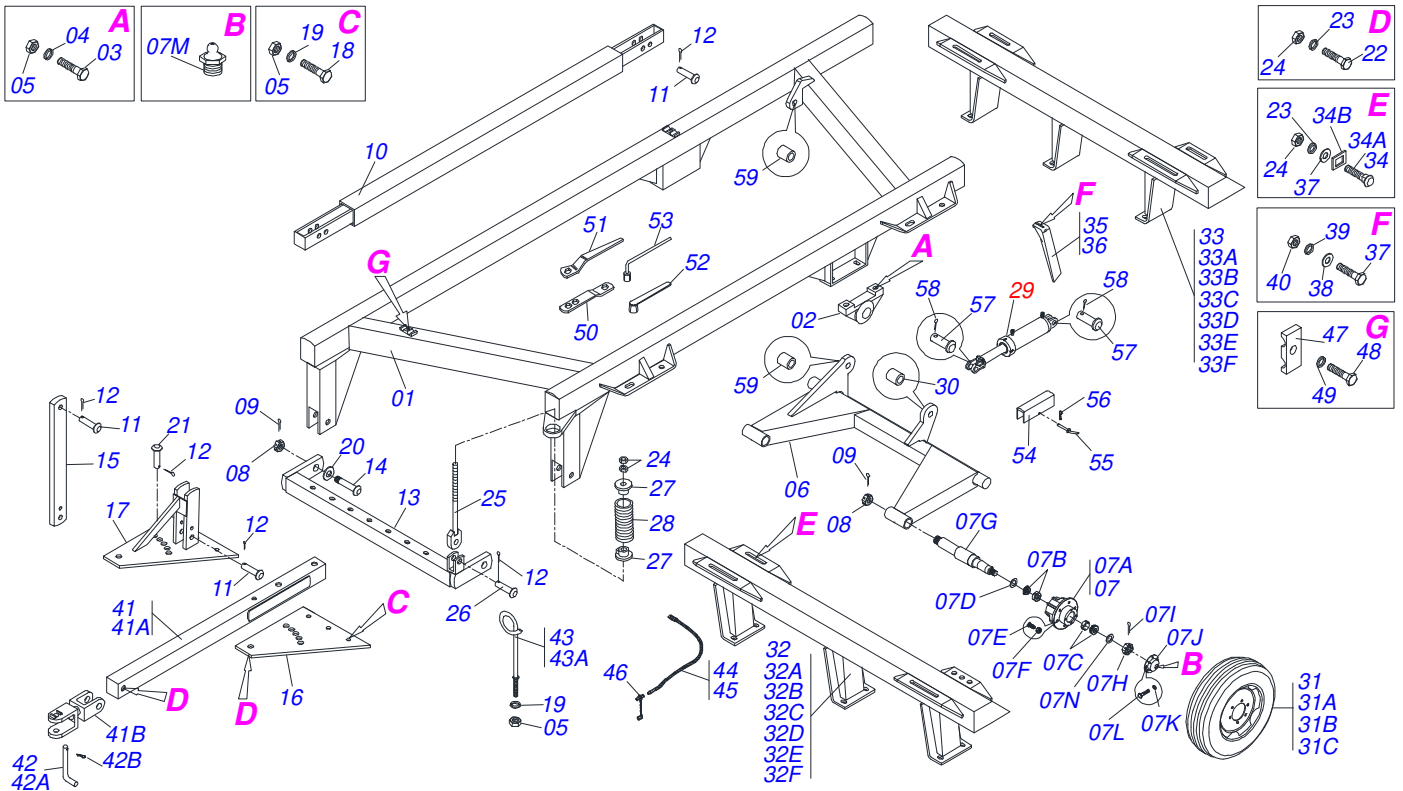
Code	Description
0120790008	GDCR 28X22X4,5 L/R DM 61450074 S794
0120790009	GDCR 32X22X4,5 L/R DM 61450083 S003
0120790033C	GDCR 36 X 22 X 4,5 R DM 61450285 EXP S-0794
0120790033	GDCR 36X22X4,5 R DM 61450285 S-0794
0120790032	GDCR 40X22X4,5 L/R DM S-0794
0120790032C	GDCR 40X22X4,5 L/R DM EXP S-0794
0120790031	GDCR 44X22X4,5 L/R DM S-0794
0120790031C	GDCR 44X22X4,5 L/R DM EXP S-0794
0120790038	GDCR 48 X 20 X 3,50 DM S-0794
0120790040	GDCR 48 X 22 X 4,50 R DM S-0794
0120790029	GDCR 48X22X4,5 L/R DM S-0794
0120790013	GDCR 48X22X4,5 L/R DM 61450129 S794
0120790034	GDCR 52 X 22 X 4,50 DM S-0794
0120790036	GDCR 56 X 22 X 4,50 DM S-0414
0120790035	GDCR 60X22X4,50 L/R DM
0120790041	GDCR 64 X 22 X 4,50 DM MT S-0996

ATTENTION: IMPORTANT

CIVEMASA reserves the right to improve and/or modify the technical features of its products, without obligation to do the same with those products already sold and without prior knowledge of the dealer or the consumer. The photos are only illustrative.

INDEX

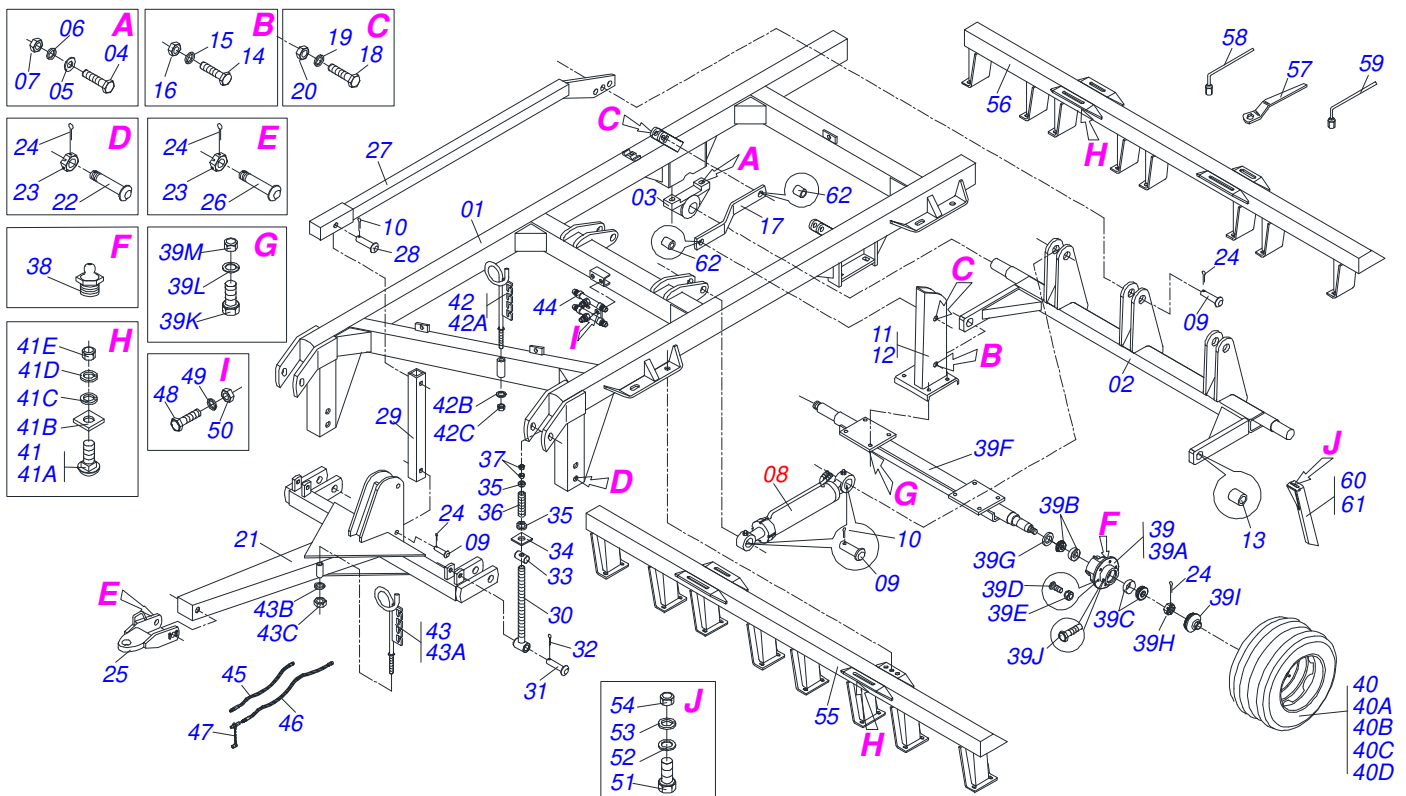
0909090696	ASSY FRAME 28/32/36/40/44/48/52	1
0909090697	ASSY FRAME 56/60/64D	2
0501048420	HYDRAULIC CYLINDER	3
0501040084	HYDRAULIC CYLINDER 50,8 X 101 X 552 X 262 BBR1/2	4
0909094017	ASSY DISC GANG SECTION	5
0501047055	BEARING	6
0501041557	225MM X 1.5/8" RD. OIL BATH BEARING	7
0501043191	CM GX 7" 1-1/4 BEARING ASSY	8
0501046922	AGRICULTURAL BEARING DM OL 192.5 X 1.1/4 IMPLEMENT	9
0501042180	BEARING DUROMARK OL 192,5 X 1.1/4 IT	10



Item	Code	Description	See page	28	32	36	40	44	48	52
01	0521062562	FRAME		01	01	01	01	01	01	01
02	0502010006	ARTICULACION BEARING		02	02	02	02	02	02	02
03	0503010797	3/4" X 4" BOLT		04	04	04	04	04	04	04
04	0501010322	FLAT WASHER		04	04	04	04	04	04	04
05	0503010014	3/4" NUT		13	13	13	13	13	13	13
06	0501065518	CARRYING-WHEELS		01	01	01	01	01	01	01
07	0501051634	TSTUB SHAFT & HUB ASSY		02	02	02	02	02	02	02
07A	0502011121	CARRYING WHEEL HUB		02	02	02	02	02	02	02
07B	0503010006	32210 ROLLER BEARING		02	02	02	02	02	02	02
07C	0503010037	30207 ROLLER BEARING		02	02	02	02	02	02	02
07D	0503012928	SEAL		02	02	02	02	02	02	02
07E	0501010127	9/16" X 1-7/8" LUG BOLT		12	12	12	12	12	12	12
07F	0503010035	9/16" CONIC NUT		12	12	12	12	12	12	12
07G	0521010821	2.5" X 16.5" AXLE		02	02	02	02	02	02	02
07H	0503030009	1" CASTLE NUT		02	02	02	02	02	02	02
07I	0503010018	5/32 X 1-1/2 COTTERPIN		02	02	02	02	02	02	02
07J	0502020591	PROTECCION COVER		02	02	02	02	02	02	02
07K	0503011444	SPRING WASHER		08	08	08	08	08	08	08
07L	0503010178	5/16" X 7/8" BOLT		08	08	08	08	08	08	08
07M	0503010002	1800 GREASE FITTING		02	02	02	02	02	02	02
07N	0501016545	FLAT WASHER		02	02	02	02	02	02	02
08	0501011301	1.1/2 UNC 6FPP 2.5/16 NUT		02	02	02	02	02	02	02
09	0503010010	1/4" X 2.1/2" COTTERPIN		04	04	04	04	04	04	04
10	0501064696	STABILIZER BAR		01	01	01	01	01	01	01
11	0521010575	C0.9" X 3.3" COUPLING SHAFT		03	03	03	03	03	03	03
12	0503010571	1/4" X 1.1/2 COTTERPIN		04	04	04	04	04	04	04
13	0501063260	OFFSET BAR		01	01	01	01	01	01	01
14	0521017538	11-1/2" X 5" COUPLING SHAFT		02	02	02	02	02	02	02
15	0511010887	STABILIZER BAR TOWER		01	01	01	01	01	01	01
16	0501010241	UPPER /LOWER PLATE		01	01	01	01	01	01	01
17	0501064720	UPPER PLATE WITH TOWER SUPPORT		01	01	01	01	01	01	01

Item	Code	Description	See page	28	32	36	40	44	48	52
18	0503011198	C3/4" X 6" SCREW		03	03	03	03	03	03	03
19	0503010023	3/4" SPRING WASHER		04	04	04	04	04	04	04
20	0511019880	FLAT WASHER		02	02	02	02	02	02	02
21	0521010584	C0.9" X 5.7" COUPLING SHAFT		01	01	01	01	01	01	01
22	0501010060	1" X 6-1/2" BOLT		02	02	02	02	02	02	02
23	0503010012	1" SPRING WASHER		11	11	11	11	11	11	11
24	0501010059	1.5/8 NUT		11	11	11	11	11	11	11
25	0501065133	SPRING ROD		01	01	01	01	01	01	01
26	0521010592	1.1" X 3.1" COUPLING SHAFT		01	01	01	01	01	01	01
27	0502020392	SPRING SUPPORT		02	02	02	02	02	02	02
28	0503030441	12.7" X 5.7" X 0.5"SPRING		01	01	01	01	01	01	01
29	0501048420	HYDRAULIC CYLINDER	3	01	01	01	01	01	01	01
30	0511019921	1.3" X 0.1" X 1" SLEEVE		03	03	03	03	03	03	03
31	0503060091	L29.5"X0.63"-10L WHEEL AND		02	02	02	02	02	02	02
31A	0503010893	WHEEL		02	02	02	02	02	02	02
31B	0503010033	7.50 X 16 INNER TIRE		02	02	02	02	02	02	02
31C	0503010120	CANVAS TIRE		02	02	02	02	02	02	02
32	0501068223	FRONT FRAME - 28		01	00	00	00	00	00	00
32A	0501065552	FRONT FRAME - 32		00	01	00	00	00	00	00
32B	0501065553	FRONT FRAME - 36		00	00	01	00	00	00	00
32C	0501065554	FRONTFRAME - 40		00	00	00	01	00	00	00
32D	0501066728	164.9" FRONT FRAME - 44		00	00	00	00	01	00	00
32E	0501066730	FRONT FRAME - 48		00	00	00	00	00	01	00
32F	0501067260	196.16" FRONT FRAME - 52		00	00	00	00	00	00	01
33	0501068224	REAR FRAME - 28		01	00	00	00	00	00	00
33A	0501065557	REAR FRAME - 32		00	01	00	00	00	00	00
33B	0501065558	REAR FRAME - 36		00	00	01	00	00	00	00
33C	0501065559	REAR FRAME - 40		00	00	00	01	00	00	00
33D	0501066729	165" REAR FRAME - 44		00	00	00	00	01	00	00
33E	0501066731	180" REAR FRAME		00	00	00	00	00	01	00
33F	0501067261	196" REAR FRAME - 52		00	00	00	00	00	00	01
34	0501040877	C1" X 3-1/4" ASSY BOLT		07	07	07	07	07	07	07
34A	0501014309	C1" X 3-1/4" BOLT		07	07	07	07	07	07	07
34B	0501010951	1" SQUARE WASHER		08	08	08	08	08	08	08
35	0501063962	REAR SCRAPER		11	11	13	13	13	15	17
36	0501063963	FRONT SCRAPER		11	11	13	13	13	15	17
37	0503011082	C1/2" X 1.3/4" SCREW		52	52	60	68	68	72	74
38	0511017302	FLAT WASHER		36	44	44	52	52	60	68
39	0503010019	1/2" SPRING WASHER		36	44	44	52	52	60	68
40	0503010060	1/2" NUT		36	44	44	52	52	60	68
41	0501041096	DRAWBAR ASSY		01	01	01	01	01	01	01
41A	0501060188	DRAWBAR ASSY		01	01	01	01	01	01	01
41B	0501060190	TRACTOR HITCH		01	01	01	01	01	01	01
41C	0501010191	1" X 6" BOLT		01	01	01	01	01	01	01
42	0501040343	DRAWBOLT ASSY		01	01	01	01	01	01	01
42A	0501010523	DRAWBOLT		01	01	01	01	01	01	01
42B	0503031035	HITCH PIN CLIP		01	01	01	01	01	01	01
43	0501040257	3/4 X 1200 HOSE HOLDER A		01	01	01	01	01	01	01
43A	0501060337	3/4" X 47.2" HOSE HOLDER ASSY		01	01	01	01	01	01	01
44	0501080420	3/8" X 220" TR-TM HOSE ASSY		01	01	01	01	01	01	01
45	0501080421	3/8" X 230" TR-TM HOSE ASS		01	01	01	01	01	01	01
46	0501053834	MALE QUICK COUPLER		02	02	02	02	02	02	02
47	0502010477	HOSE CLAMP		03	03	03	03	03	03	03
48	0503010751	C3/8" X 1.1/4" HEX BOLT G.5		03	03	03	03	03	03	03
49	0503010025	3/8" SPRING WASHER		03	03	03	03	03	03	03
50	0511018451	5/8" X 3/4" X 1" UNIVERSAL		01	01	01	01	01	01	01
51	0501010198	1-1/4" CABLE FLAT WRENCH		02	02	02	02	02	02	02
52	0501061617	1" GANG BOLT WRENCH		01	01	01	01	01	01	01
53	0501068273	5/8" WRENCH		01	01	01	01	01	01	01

Item	Code	Description	See page	28	32	36	40	44	48	52
54	0511010839	TRANSPORT LOCK 7.9" X 2.1" X 0.4"		01	01	01	01	01	01	01
55	0501068994	8,30 X 78 LOCK PIN		01	01	01	01	01	01	01
56	0503030168	HITCH PIN CLIP		01	01	01	01	01	01	01
57	0521012538	1.2" X 3.5" COUPLING SHAFT		02	02	02	02	02	02	02
58	0503010523	1/4" X 2" COTTERPIN		02	02	02	02	02	02	02
59	0511019920	SLEEVE 32,70 X 38,80 X 25,40		02	02	02	02	02	02	02



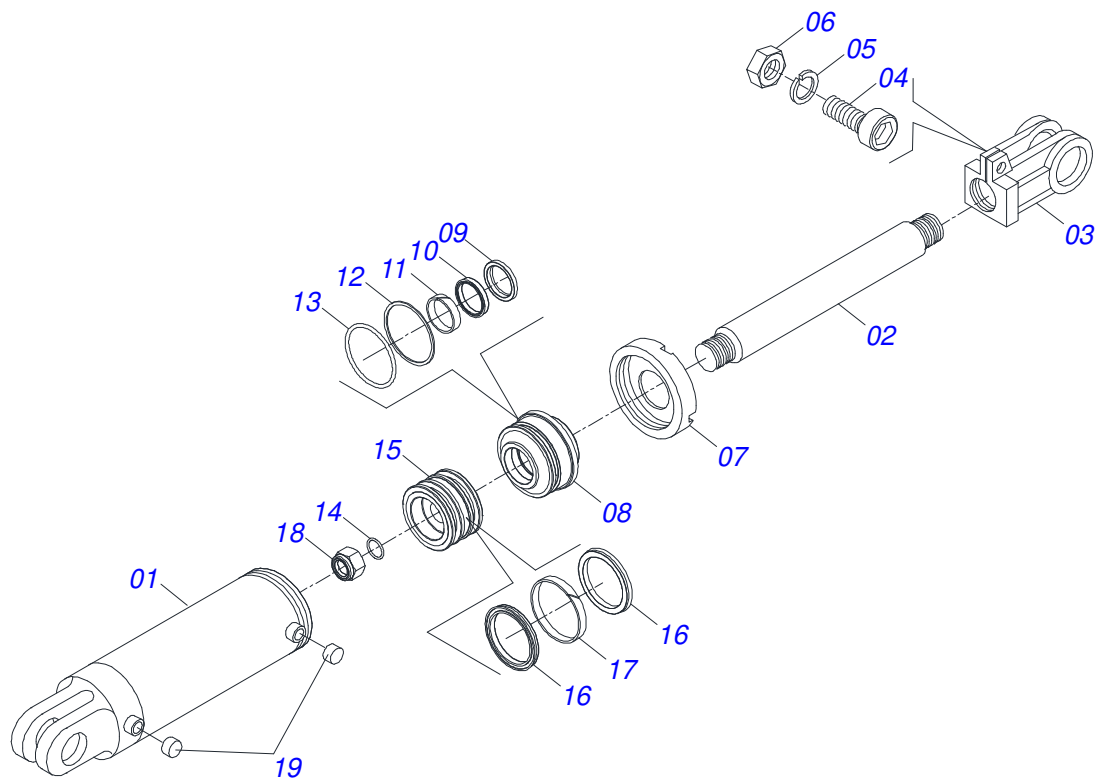
Item	Code	Description	See page	56	60	64
01	0521064826	CENTRAL FRAME		01	01	00
01A	0501068301	FRAME CENTER		00	00	01
02	0501060384	SEED		01	01	01
03	0502010220	BEARING		02	02	02
04	0503010901	3/4UNC 3.1/2 BOLT		04	04	04
05	0501010322	FLAT WASHER		04	04	04
06	0503010023	3/4" SPRING WASHER		04	04	04
07	0503010014	3/4" NUT		04	04	04
08	0501040084	HYDRAULIC CYLINDER 50,8 X 101 X 552 X 262 4 BBR1/2		02	02	02
09	0521010545	1.2" X 5.1" COUPLING SHAFT		04	04	04
10	0503010523	1/4" X 2" COTTERPIN		04	04	04
11	0501060714	TOWER FRONT SUSPENSION		01	01	01
12	0501060715	LEFT SUSPENSION TOWER		01	01	01
13	0521010465	1.3" X 1.7" X 1.3" SLEEVE		02	02	02
14	0503012548	1-1/4" X 4.6" BOLT		02	02	02
15	0503010070	SPRING WASHER		02	02	02
16	0501010087	1.1/4" NUT		02	02	02
17	0501110404	SUPPORT BAR		02	02	02
18	0503011432	BOLT		04	04	04
19	0503010012	1" SPRING WASHER		04	04	04
20	0501010059	1.5/8 NUT		04	04	04
21	0501060716	DRAWBAR		01	01	01
22	0501016419	1-1/2" X 7.5" BOLT		02	02	02
23	0501011301	1.1/2 UNC 6FPP 2.5/16 NUT		03	03	03
24	0503010010	1/4" X 2.1/2" COTTERPIN		03	03	03
25	0501060317	TRACTOR HITCH		01	01	01
26	0501016415	1-1/2" X 9.6" BOLT		01	01	01
27	0501060718	STABILIZER BAR		01	01	01
28	0521010780	1.2" X 4.5" COUPLING SHAFT		01	01	01
29	0501060717	TOWER		01	01	01
30	0501060486	REGULATOR BOLT		02	02	02

ASSY FRAME 56/60/64D

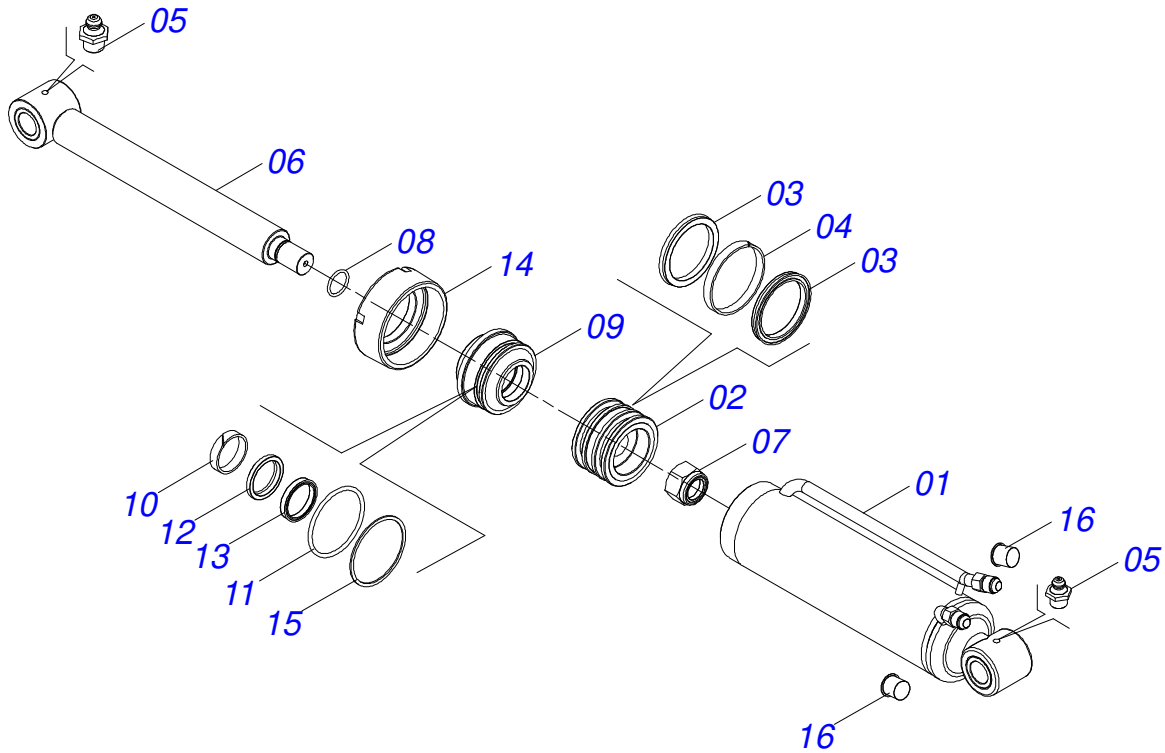
Item	Code	Description	See page	56	60	64
31	0521010579	COUPLING SHAFT		02	02	02
32	0503010571	1/4" X 1.1/2 COTTERPIN		02	02	02
33	0501010289	GUIDE FRONT REGULATOR		02	02	02
34	0501010290	SPRING SEAT		02	02	02
35	0502020394	SPRING SUPPORT		04	04	04
36	0503030441	12.7" X 5.7" X 0.5"SPRING		02	02	02
37	0501010087	1.1/4" NUT		04	04	04
38	0503010002	1800 GREASE FITTING		10	10	10
39	0501047109	WHEEL WITHOUT TIRE 3 X 2780 MM		01	01	01
39A	0502011389	BOX		02	02	02
39B	0503010006	32210 ROLLER BEARING		02	02	02
39C	0503010005	32212 ROLLER BEARING		02	02	02
39D	0501010186	WHEEL SCREW 5/8UNF X 2.1/8CR		12	12	12
39E	0503010064	5/8 UNF CONIC NUT		12	12	12
39F	0501068310	AXLE 3 X 2780		01	01	01
39G	0503011866	SEAL 00573-B WITH HOLE		02	02	02
39H	0501010888	1.3/4" 2.5/16" CASTLE NUT		02	02	02
39I	0502020593	COVER		02	02	02
39J	0503010295	SCREW 5/16 UNC X 5/8 CS G.2 ZN		02	02	02
39K	0501010098	3/4" UNC BOLT		08	08	08
39L	0503011442	3/4" SPRING WASHER		08	08	08
39M	0503010014	3/4" NUT		08	08	08
40	0503060005	29.5"X0.63"-10L WHEEL AND TIRE ASSY		04	04	04
40A	0503010120	CANVAS TIRE		04	04	04
40B	0503010033	7.50 X 16 INNER TIRE		04	04	04
40C	0501061845	0.2"X0.6"X5.1"X6F0.6"X6.8"-D WHEEL		04	04	04
40D	0503010471	0.3" X 0.6" PROTECTION		04	04	04
41	0501040877	C1" X 3-1/4" ASSY BOLT		08	08	08
41A	0501014309	C1" X 3-1/4" BOLT		01	01	01
41B	0501010951	1" SQUARE WASHER		01	01	01
41C	0501010065	1" SPRING WASHER		01	01	01
41D	0503011438	SPRING WASHER		01	01	01
41E	0501010059	1.5/8 NUT		01	01	01
42	0501040364	HOSE SUPPORT ASSEMBLY		01	01	01
42A	0501060409	HOSE SOPPORT ASSY		01	01	01
42B	0503011442	3/4" SPRING WASHER		01	01	01
42C	0503010014	3/4" NUT		01	01	01
43	0501040257	3/4 X 1200 HOSE HOLDER A		01	01	01
43A	0511067334	HOSE SOPPORT ASSY		01	01	01
43B	0501010322	FLAT WASHER		02	02	02
44	0501068941	CONNECTION		01	01	01
45	0501080014	1/2 X 1000 TR-TR HOSE		04	04	04
46	0501080084	HOSE		02	02	02
47	0501053834	MALE QUICK COUPLER		02	02	02
48	0501010080	3/8" BOLT		02	02	02
49	0503010025	3/8" SPRING WASHER		02	02	02
50	0503010026	3/8" NUT		02	02	02
51	0503011082	C1/2" X 1.3/4" SCREW		02	02	02
52	0511017302	FLAT WASHER		02	02	02
53	0503010019	1/2" SPRING WASHER		108	108	108
54	0503010060	1/2" NUT		108	108	108
55	0521064901	REAR FRAME		01	00	00
55A	0521064825	REAR FRAME		00	01	00
55B	0501068297	REAR FRAME		00	00	01
56	0521064900	REAR FRAME		01	00	00
56A	0521064824	REAR FRAME		00	01	00
56B	0501068298	FRONT FRAME		00	00	01
57	0501011432	1-1/2" AND 1-5/8 GANG BOLT WRENCH		01	01	01
58	0501061617	1" GANG BOLT WRENCH		01	01	01

Item	Code	Description	See page	56	60	64
59	0501068273	5/8" WRENCH		01	01	01
60	0501063963	FRONT SCRAPER		23	23	23
61	0501063962	REAR SCRAPER		23	23	23
62	0511019921	1.3" X 0.1" X 1" SLEEVE		04	04	04

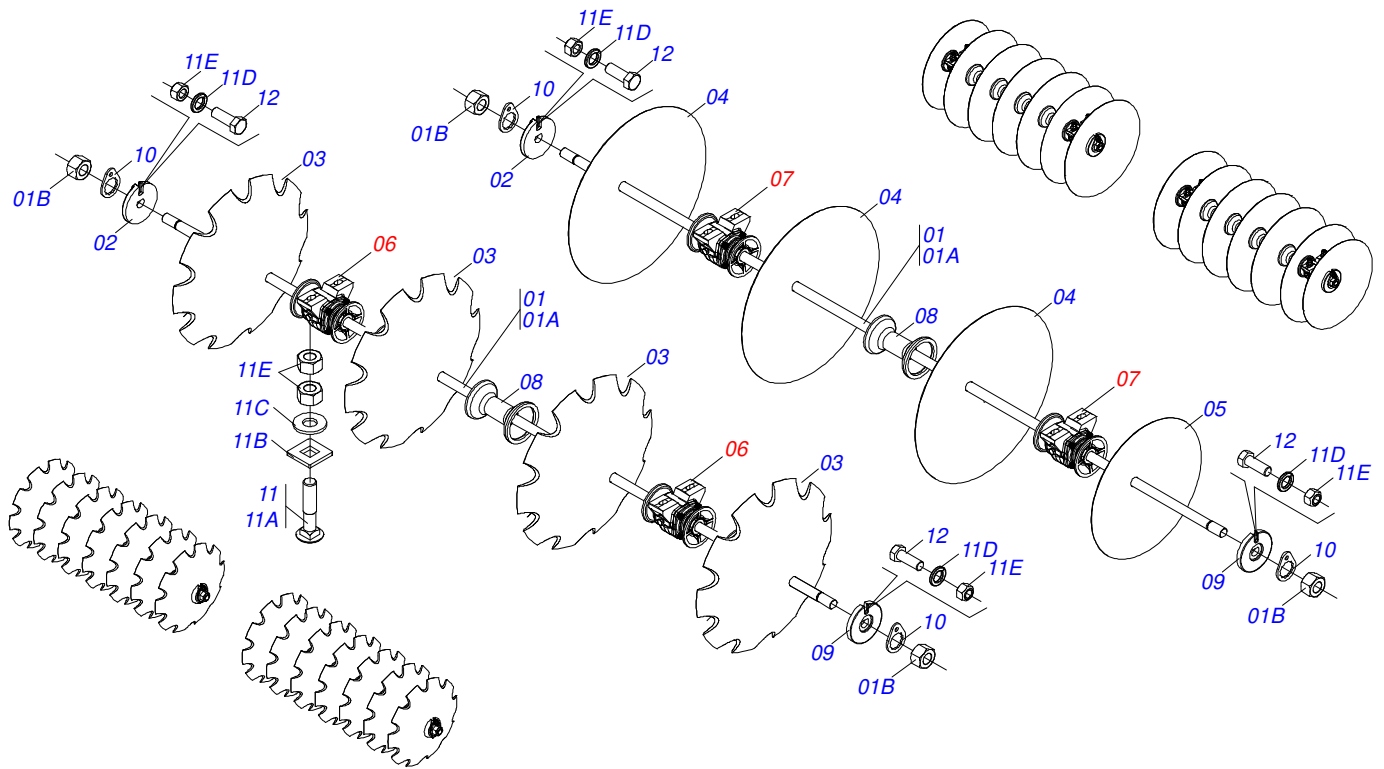
HYDRAULIC CYLINDER



Item	Code	Description	See page	QT
01	0501069906	4" X 16" CYLINDER CASE		01
02	0521010422	HYDRAULIC CYLINDER TURNBUCKLE		01
03	0502040747	32.54 CLEVIS CLAMP		01
04	0503011094	3/8" X 2" BOLT		01
05	0503010025	3/8" SPRING WASHER		01
06	0503010026	3/8" NUT		01
07	0502010017	4" HEAD		01
08	0502010778	2" X 4.2" RING SUPPORT		01
09	0503010039	D-2000 SCRAPER RING		01
10	0503010991	1870-2000-375-B GASKET		01
11	0503010952	W2-2250-500 RING		01
12	0503011061	8-342 BACK-UP RING		01
13	0503010338	2-342 N 3006-9B O'RING		01
14	0503010345	2-218 N 3006-9B O'RING		01
15	0502010992	2.0" X 4.0" PISTON		01
16	0503010043	PACKING 3750-3250		02
17	0503010994	W2-4000-500 PK RING G.E		01
18	0503010817	1.1/4" SELF LOCKING NUT		01
19	0503030385	CYLINDER PLUG N-002		02
20	0501031799	HYDRAULIC CYLINDER REPAIR KIT		01

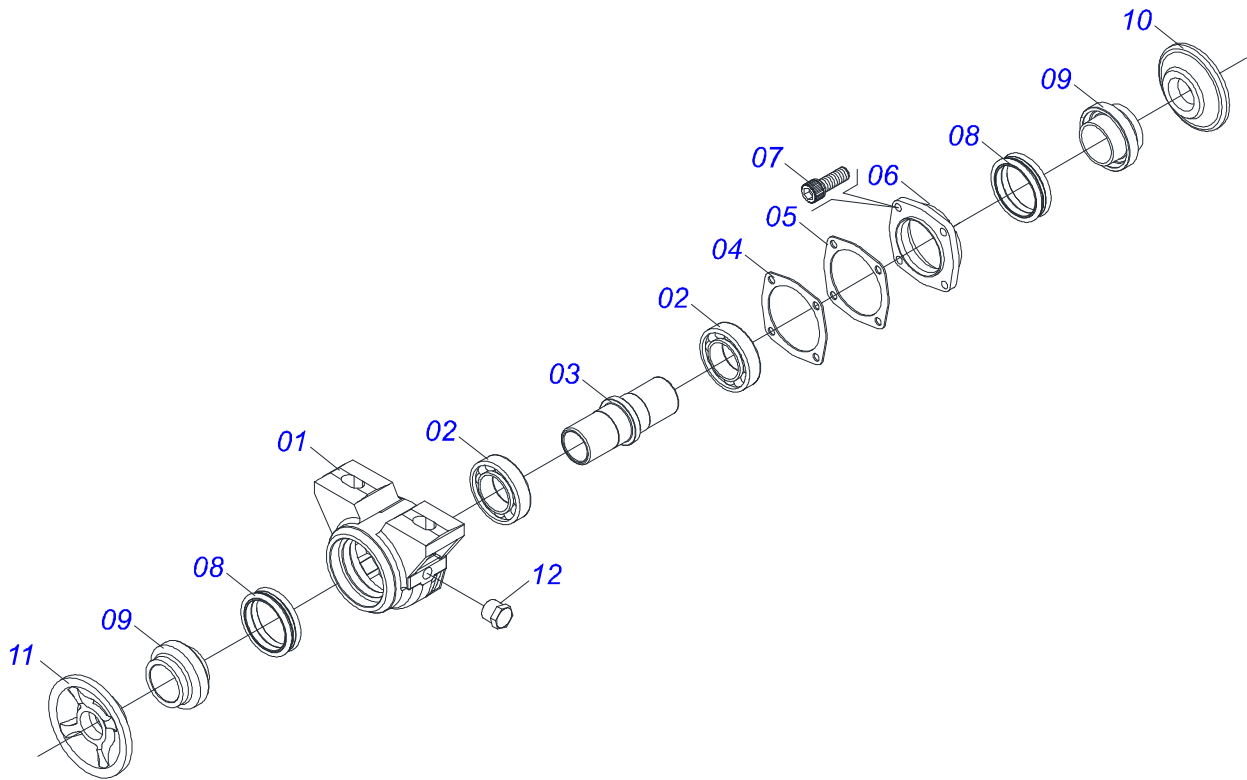


Item	Code	Description	See page	QT
01	0501060367	50,8 X 101 X 552 X 262 CYLINDER CASE		01
02	0502010992	2.0" X 4.0" PISTON		01
03	0503010043	PACKING 3750-3250		02
04	0503010994	W2-4000-500 PK RING G.E		01
05	0503010002	1800 GREASE FITTING		02
06	0501068955	HYDRAULIC CYLINDER TURNBUCKLE		01
07	0503010817	1.1/4" SELF LOCKING NUT		01
08	0503010345	2-218 N 3006-9B O'RING		01
09	0502010778	2" X 4.2" RING SUPPORT		01
10	0503010952	W2-2250-500 RING		01
11	0503010338	2-342 N 3006-9B O'RING		01
12	0503010991	1870-2000-375-B GASKET		01
13	0503010039	D-2000 SCRAPER RING		01
14	0502010017	4" HEAD		01
15	0503011061	8-342 BACK-UP RING		01
16	0503030387	PLUG		02

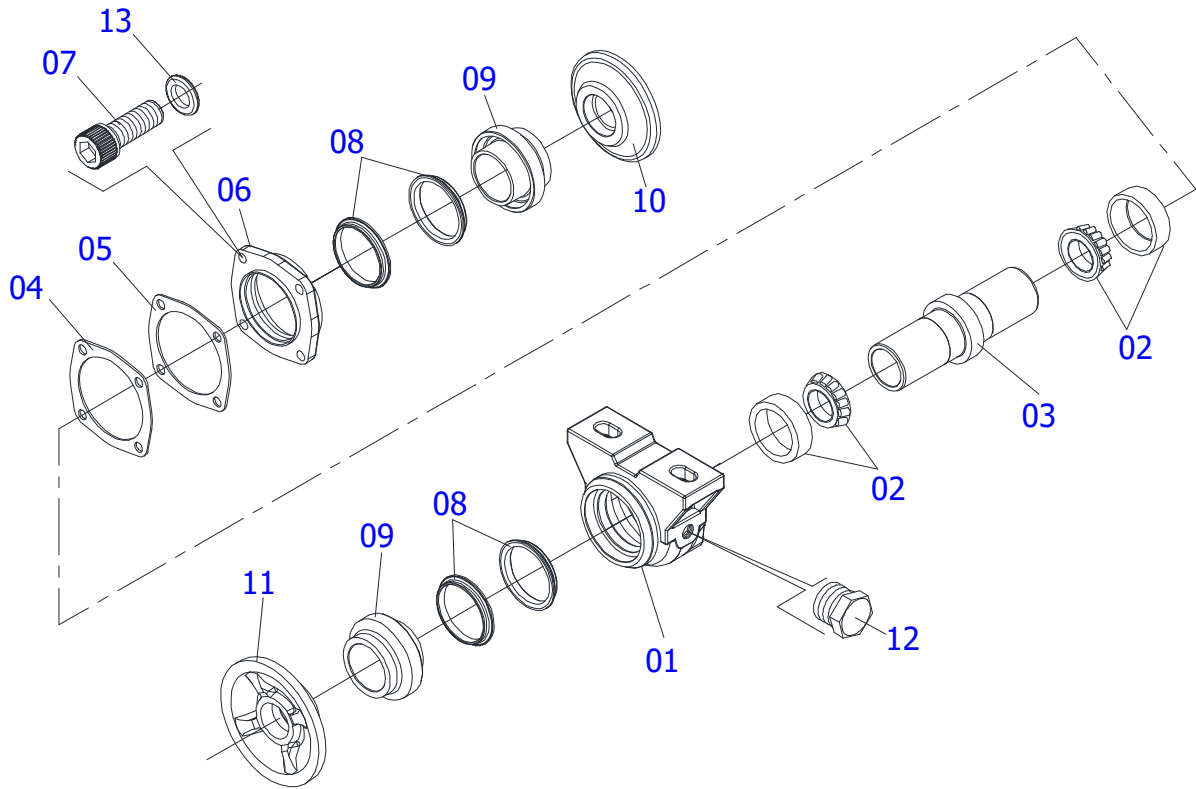


Item	Code	Description	See page	56	60	64
01	0501043869	AXLE		04	00	00
01.	0501043697	1.1/2" X 1505 AXLE ASSY		04	04	08
01..	0501044105	1.1/2 X 1305 AXLE W/NUT		00	04	00
01A	0511011894	AXLE		04	00	00
01A.	0511012601	1.1/2" X 1505 AXLE		04	04	08
01A..	0511011914	1.1/2 X 1305 AXLE		00	04	00
01B	0501010110	1.1/2" NUT		16	16	16
02	0502010871	1-1/2" EXTERNAL AXLE WASHER		08	08	08
03	0602027006	20" X 0.2" NOTCHED DISC BLADE		26	28	32
04	0601027006	20" X 4.5 PLAIN DISC BLADE		24	26	30
05	0601025165	18" X 0.1" PLAIN DISC BLADE		02	02	02
06	0501047055	BEARING	6	08	08	08
06.	0501047045	BEARING		08	08	08
07	0501041557	225MM X 1.5/8" RD. OIL BATH BEARING	7	08	08	08
07.	0501046981	BEARING		08	08	08
08	0502010627	SPACER		04	04	04
09	0502010872	1-1/2" INNER AXLE WASHER		08	08	08
10	0501018592	1.5/8" NUT LOCK		16	16	16
11	0501042160	5/8" X 76 BOLT ASSY		32	32	32
11A	0501011234	5/8" X 3" BOLT		16	16	16
11B	0501010947	5/8 NUT LOCK		16	16	16
11C	0501012140	FLAT WASHER		16	16	16
11D	0503010027	5/8" SPRING WASHER		16	16	16
11E	0503010013	5/8" NUT		16	16	16
12	0503011267	BOLT 5/8 UNC X 1.1/2 C S G.5 ZN		16	16	16

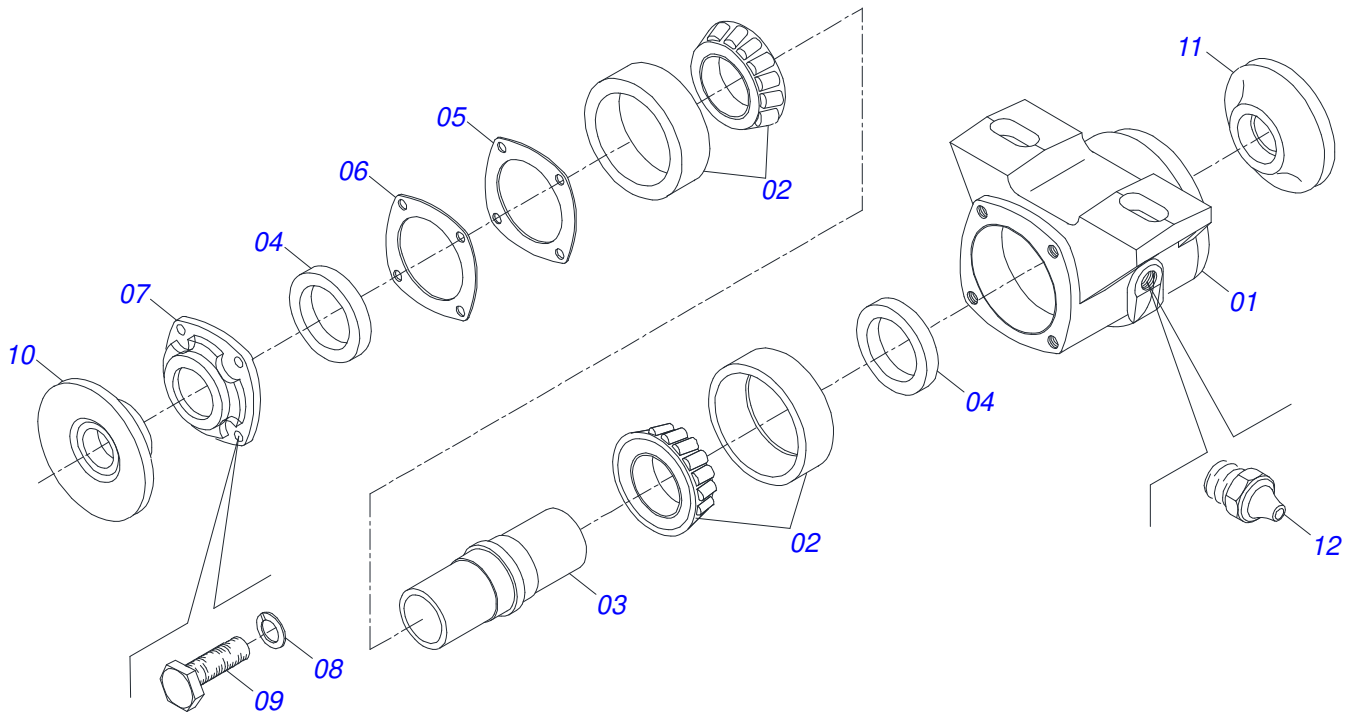
BEARING



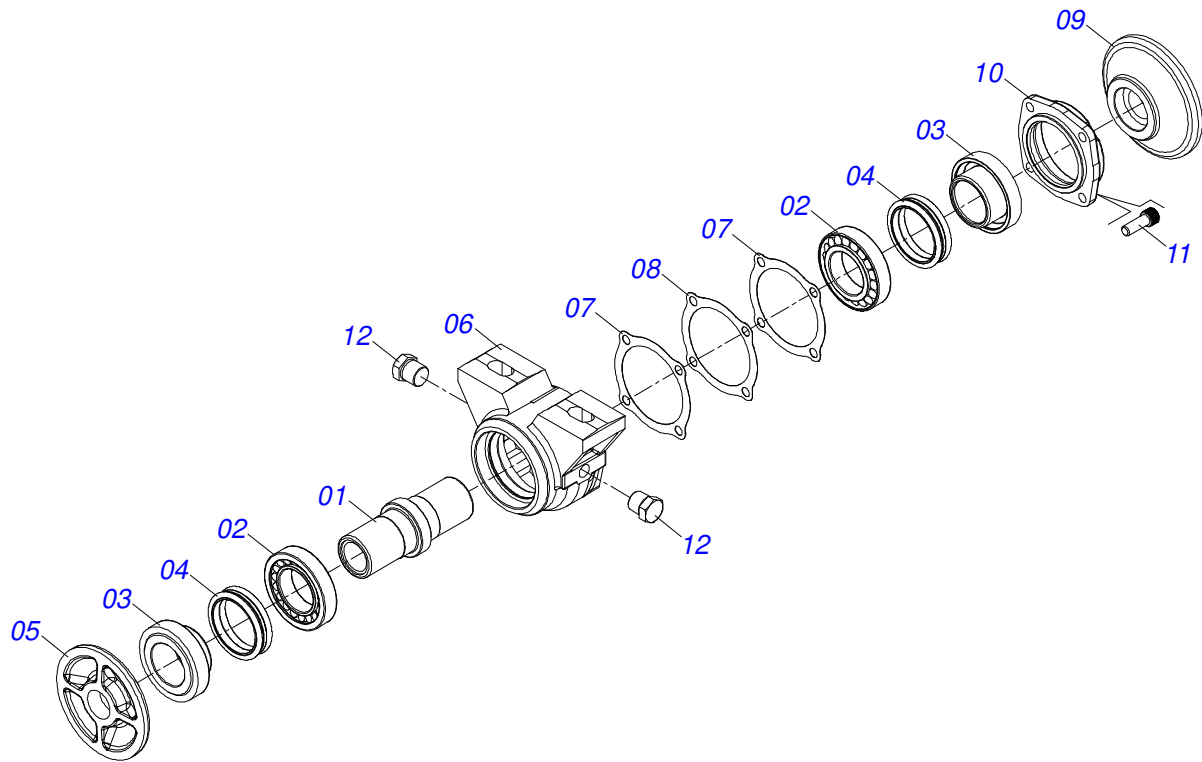
Item	Code	Description	See page	QT
01	0502010540	HOUSING DM		01
02	0503010006	32210 ROLLER BEARING		02
03	0502040061	AXLE		01
04	0503030013	4.4" X 3.5" X 0.004" JOINT		03
05	0503030684	4.4" X 3.5" X 0.004" JOINT		02
06	0502020424	HOUSING CAP		01
07	0503010134	3/8" X 1" BOLT		04
08	0503030026	SEAL LP JB-253		02
09	0502010541	SEAL RETAINER		02
10	0502010604	OUTER FLANGE		01
11	0502010605	INNER FLANGE		01
12	0503010856	OIL PLUG		02



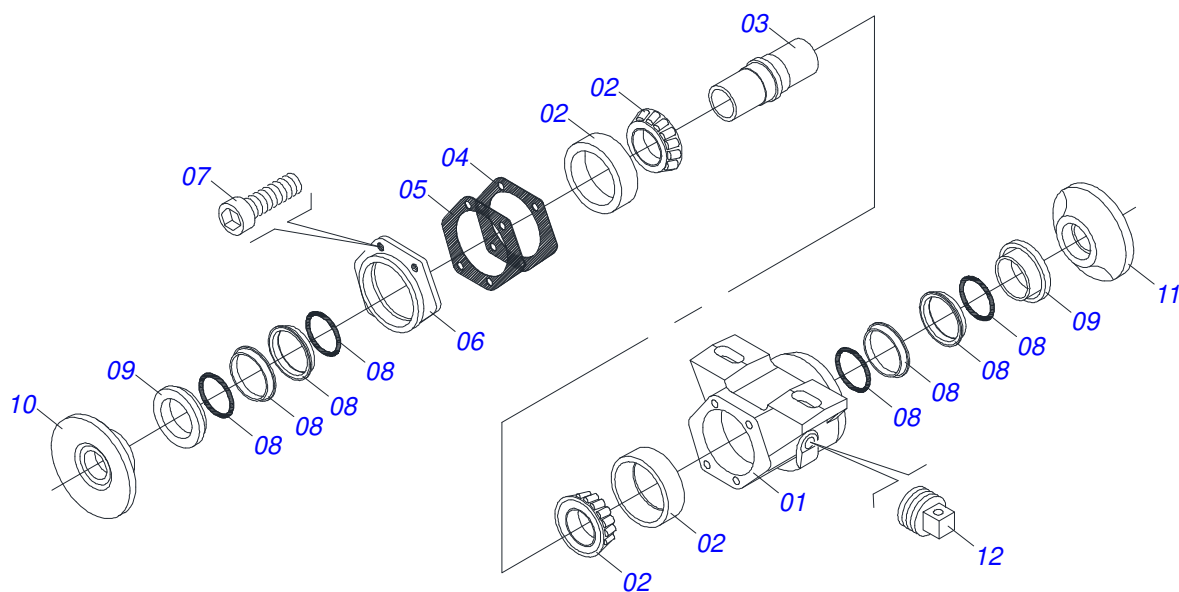
Item	Code	Description	See page	QT
01	0502010539	HOUSING DM		01
02	0503010006	32210 ROLLER BEARING		02
03	0502040061	AXLE		01
04	0503030013	4.4" X 3.5" X 0.004" JOINT		03
05	0503030684	4.4" X 3.5" X 0.004" JOINT		02
06	0502020424	HOUSING CAP		01
07	0503010134	3/8" X 1" BOLT		04
08	0503030026	SEAL LP JB-253		02
09	0502010541	SEAL RETAINER		02
10	0502010604	OUTER FLANGE		01
11	0502010605	INNER FLANGE		01
12	0503010856	OIL PLUG		01



Item	Code	Description	See page	QT
00	0501043191	CM GX 7" 1-1/4 BEARING ASSY	8	01
01	0502020489	HOUSING CM		01
02	0503010111	30210 ROLLER BEARING		02
03	0502040218	AXLE		01
04	0503010468	SEAL 01199-GB		02
05	0503030013	4.4" X 3.5" X 0.004" JOINT		02
06	0503030684	4.4" X 3.5" X 0.004" JOINT		01
07	0502020273	HOUSING CAP CM		01
08	0503011443	3/8" SPRING WASHER		04
09	0503011087	3/8" X 1" BOLT		04
10	0502010070	OUTER FLANGE		01
11	0502010071	INNER FLANGE		01
12	0503010002	1800 GREASE FITTING		01



Item	Code	Description	See page	QT
01	0502040218	AXLE		01
02	0503010111	30210 ROLLER BEARING		02
03	0502010541	SEAL RETAINER		02
04	0503030026	SEAL LP JB-253		02
05	0502010071	INNER FLANGE		01
06	0502010540	HOUSING DM		01
07	0503030013	4.4" X 3.5" X 0.004" JOINT		02
08	0503030684	4.4" X 3.5" X 0.004" JOINT		01
09	0502010070	OUTER FLANGE		01
10	0502020424	HOUSING CAP		01
11	0503010134	3/8" X 1" BOLT		04
12	0503010856	OIL PLUG		02
13	3402301247	MINERAL OIL GREASE		0,11Lts



Item	Code	Description	See page	QT
01	0502010539	HOUSING DM		01
02	0503010111	30210 ROLLER BEARING		02
03	0502040218	AXLE		01
04	0503030013	4.4" X 3.5" X 0.004" JOINT		02
05	0503030684	4.4" X 3.5" X 0.004" JOINT		01
06	0502020424	HOUSING CAP		01
07	0503010134	3/8" X 1" BOLT		04
08	0503030026	SEAL LP JB-253		02
09	0502010541	SEAL RETAINER		02
10	0502010070	OUTER FLANGE		01
11	0502010071	INNER FLANGE		01
12	0503010856	OIL PLUG		01



civemasa

Technical Publications | Elaboration and Revision

ALESSANDRA PATRICIA KAWAHARA CARRILI

www.civemasa.com.br

