

DISK HARROWS

GDCDH 44/48/52/56D

Code: 0501091229
Series: S-0794
Revision: 00
Revision Date: AGOSTO/2021

PARTS CATALOGUE

CIVEMASA




PRODUCTS

Code	Description
0120450002	GDCDH 44X22X4,5 LR DM 61280019 S794
0120450017	GDCDH 48 X 22 X 4,5 L/R CM 61280092
0120450018	GDCDH 48 X 22 X 4,5 L/R CM CP
0120450001	GDCDH 48X22X4,5 LR DM 61280029 S794
0120450003	GDCDH 52X22X4,5 LR DM 61280074 S794
0120450021	GDCDH 56 X 22 X 4,5 DM DR S-0794
0120450015	GDCDH 56X20X3,5 LR DM 61280065 S794
0120450016	GDCDH 56X22X4,5 LR DM 61280083 S794

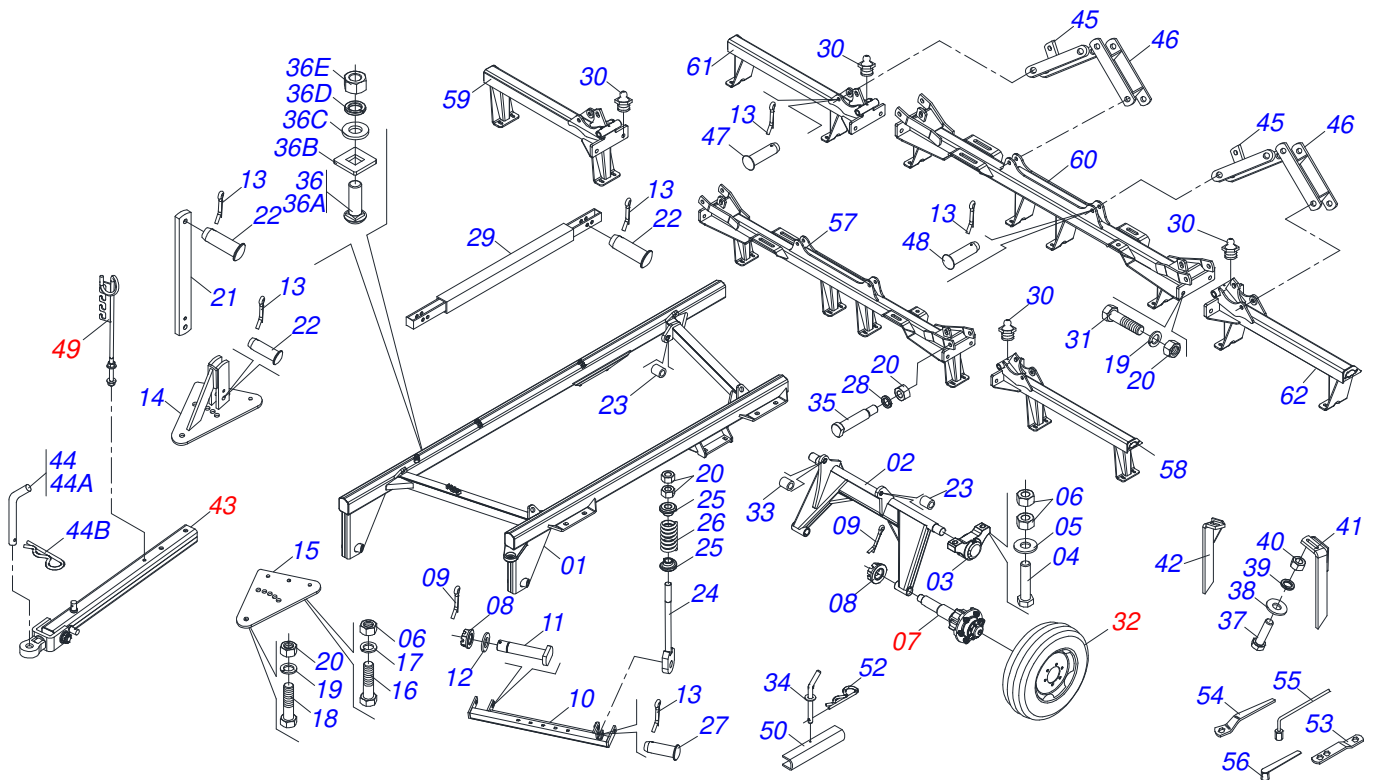
ATTENTION: IMPORTANT

Civemasa reserves the right to improve and / or modify the technical features of its products, without obligation to do the same with those products already sold and without prior knowledge of the dealer or the consumer.



INDEX

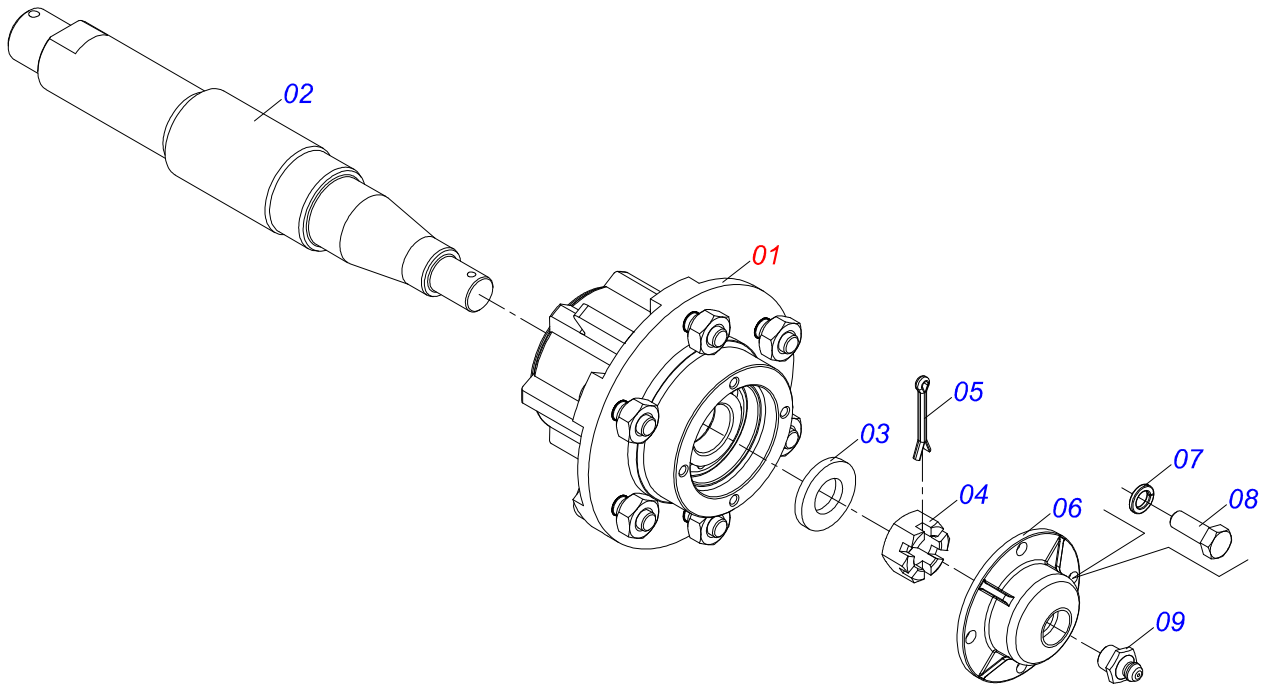
0909090694	ASSY FRAME	1
0501051634	TSTUB SHAFT & HUB ASSY	2
0503060091	L29.5"X0.63"-10L WHEEL AND	3
0501041096	DRAWBAR ASSY	4
0501040257	3/4 X 1200 HOSE HOLDER A	5
0909092452	CIRCUIT HYDRAULIQUE	6
0511059180	HYDRAULIC CYLINDER	7
0501044311	1.7"X3.4"X31"X15" HYDRAULIC CYLINDER	8
0909090346	GANG DISC	9
0501046913	GX 7" 1-1/4" BEARING ASSY	10
0501043191	CM GX 7" 1-1/4" BEARING ASSY	11
0501046922	7.5" X 1-1/4" OIL BATH BEARING	12
0501042180	BEARING DM OL 192,5 X 1.1/4 IT	13



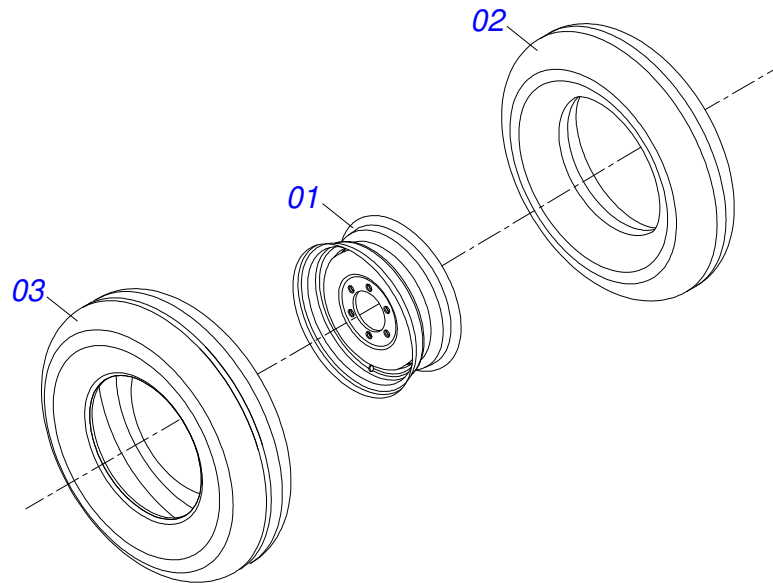
Item	Code	Description	See page	44	48	52	56
01	0521062562	FRAME		01	01	01	01
02	0501065518	CARRYING-WHEELS		01	01	01	01
03	0501110856	ARTICULACION BEARING		02	02	02	02
04	0503010797	3/4" X 4" BOLT		04	04	04	04
05	0501010322	FLAT WASHER		04	04	04	04
06	0503010014	3/4" NUT		12	12	12	12
07	0501051634	TSTUB SHAFT & HUB ASSY	2	02	02	02	02
08	0501011301	1.1/2 UNC 6FPP 2.5/16 NUT		04	04	04	04
09	0503010010	1/4" X 2.1/2" COTTERPIN		04	04	04	04
10	0521062507	HITCH BAR		01	01	01	01
11	0531019497	1.5" X 9.2" ARTICULATED AXIS		02	02	02	02
12	0551012215	FLAT WASHER		02	02	02	02
13	0503010571	1/4" X 1.1/2 COTTERPIN		17	17	17	17
14	0501066099	UPPER PLATE WITH SUPPORT		01	01	01	01
15	0501010241	UPPER /LOWER PLATE		01	01	01	01
16	0503011198	C3/4" X 6" SCREW		03	03	03	03
17	0503011442	3/4" SPRING WASHER		04	04	04	04
18	0501010060	1" X 6-1/2" BOLT		02	02	02	02
19	0503011438	SPRING WASHER		22	22	22	22
20	0501010059	1.5/8 NUT		24	24	24	24
21	0561019346	STABILIZER BAR TOWER		01	01	01	01
22	0521010575	C0.9" X 3.3" COUPLING SHAFT		03	03	03	03
23	0511019921	1.3" X 0.1" X 1" SLEEVE		01	01	01	01
24	0501064698	SPRING ROD		01	01	01	01
25	0502020392	SPRING SUPPORT		02	02	02	02
26	0503030441	12.7" X 5.7" X 0.5"SPRING		01	01	01	01
27	0521010592	1.1" X 3.1" COUPLING SHAFT		01	01	01	01
28	0503010012	1" SPRING WASHER		01	01	01	01
29	0501064696	STABILIZER BAR		01	01	01	01
30	0503010002	1800 GREASE FITTING		04	04	04	04
31	0501010276	BOLT		01	01	01	01

ASSY FRAME

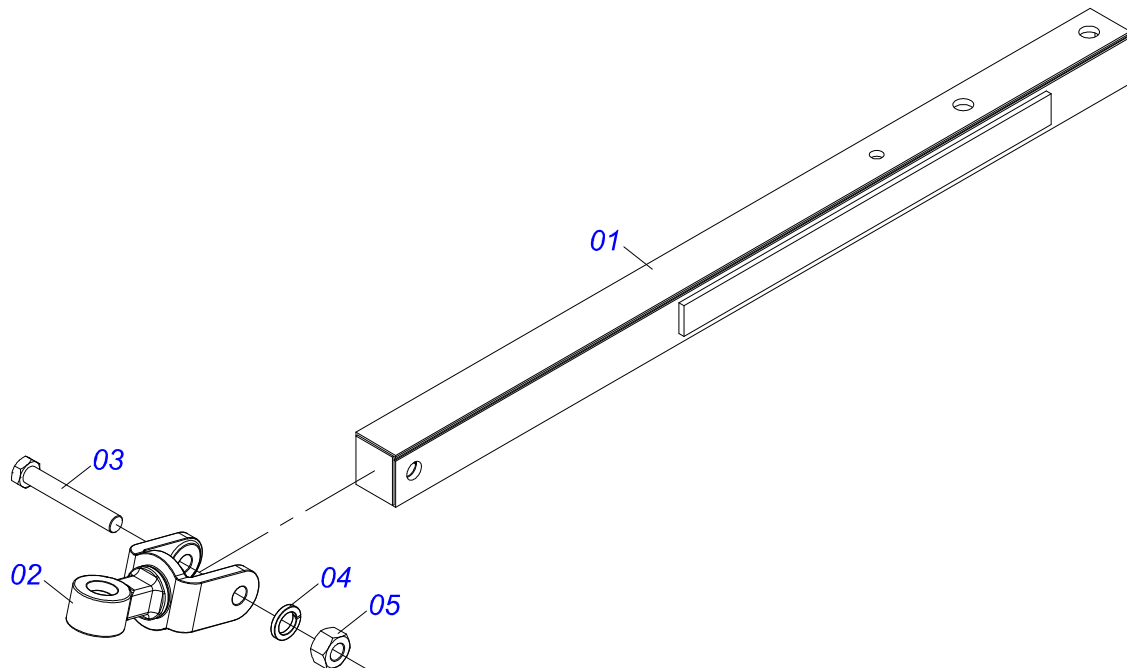
Item	Code	Description	See page	44	48	52	56
32	0503060091	L29.5"X0.63"-10L WHEEL AND	3	02	02	02	02
33	0511019920	LUVA 32,7 X 38,8 X 25,40		02	02	02	02
34	0501068994	0.3" X 3.1"LOCK PIN		01	01	01	01
35	0501010660	1" X 1-3/4" X 11.4" COUPLING SHAFT		04	04	04	04
36	0501040877	C1" X 3-1/4" ASSY BOLT		08	08	08	08
36A.	0501010171	BOLT 1 UNC X 3.1/2 C S G.5		01	01	01	01
36B	0502012861	1" SQUARE WASHER		01	01	01	01
36C	0501010065	1" SPRING WASHER		01	01	01	01
36D	0503010012	1" SPRING WASHER		01	01	01	01
36E	0501010059	1.5/8 NUT		01	01	01	01
37	0503011082	C1/2" X 1.3/4" SCREW		34	38	42	46
38	0511017302	FLAT WASHER		34	38	42	46
39	0503010019	1/2" SPRING WASHER		34	38	42	46
40	0503010060	1/2" NUT		34	38	42	46
41	0501063963	FRONT SCRAPER		13	15	17	19
42	0501063962	REAR SCRAPER		13	15	17	19
43	0501041096	DRAWBAR ASSY	4	01	01	01	01
44	0501040343	DRAWBOLT ASSY		01	01	01	01
44A	0521010453	AXI SHAFT		01	01	01	01
44B	0503031035	HAIR PIN		01	01	01	01
45	0501065130	DRIVER ARM		04	04	04	04
46	0501065131	DRIVER PIVOT		04	04	04	04
47	0521010582	COUPLING SHAFT		04	04	04	04
48	0521010577	0.9" X 4.1" COUPLING SHAFT		04	04	04	04
49	0501040257	3/4 X 1200 HOSE HOLDER A	5	01	01	01	01
50	0511010839	TRANSPORT LOCK 7.9" X 2.1" X 0.4"		01	01	01	01
52	0503030168	HAIR PIN		01	01	01	01
53	0511018451	5/8" X 3/4" X 1" UNIVERSAL		01	01	01	01
54	0501010198	1-1/4" CABLE FLAT WRENCH		02	02	02	02
55	0501068273	5/8" WRENCH		01	01	01	01
56	0501061617	1" GANG BOLT WRENCH		01	01	01	01
57	0521060080	CENTRAL FRAME		01	01	01	01
58	0501065117	LEFT FRONT FRAME		01	00	00	00
58.	0521063291	REAR FRAME		00	01	00	00
58..	0521063486	REAR FRAME		00	00	01	00
58...	0521063482	REAR FRAME		00	00	00	01
59	0501065113	RIGHT FRONT FRAME		01	00	00	00
59.	0521063292	REAR FRAME		00	01	00	00
59..	0521063487	REAR FRAME		00	00	01	00
59...	0521063483	REAR FRAME		00	00	00	01
60	0501065134	REAR CENTER FRAME		01	01	01	01
61	0501065121	RIGHT REAR FRAME		01	00	00	00
61.	0521063294	REAR FRAME		00	01	00	00
61..	0521063488	REAR FRAME		00	00	01	00
61...	0501065124	RIGHT REAR FRAME		00	00	00	01
62	0501065125	LEFT REAR FRAME		01	00	00	00
62.	0521063293	REAR FRAME		00	01	00	00
62..	0521063489	REAR FRAME		00	00	01	00
62...	0501065128	LEFT REAR FRAME		00	00	00	01



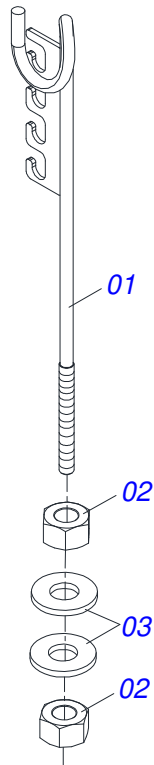
Item	Code	Description	See page	QT
01	0501051142	CARRYING WHEEL HUB	01	01
02	0521010821	2.5" X 16.5" AXLE	01	01
03	0501016545	FLAT WASHER	01	01
04	0503030009	1" CASTLE NUT	01	01
05	0503010018	5/32 X 1-1/2 COTTERPIN	01	01
06	0502020591	PROTECCION COVER	01	01
07	0503011444	SPRING WASHER	04	04
08	0503010358	5/16" X 5/8" BOLT	04	04
09	0503010002	1800 GREASE FITTING	01	01



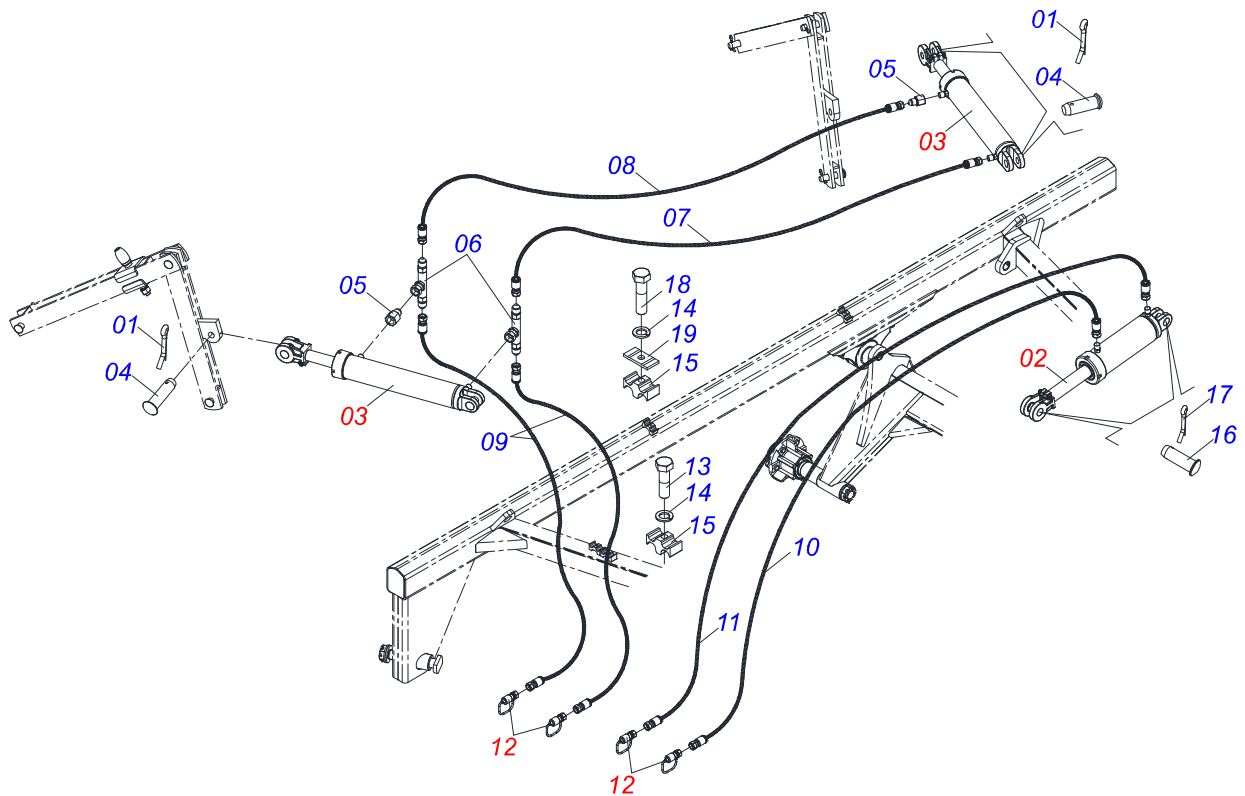
Item	Code	Description	See page	QT
01	0503010893	WHEEL		01
02	0503010033	7.50 X 16 INNER TIRE		01
03	0503010120	CANVAS TIRE		01



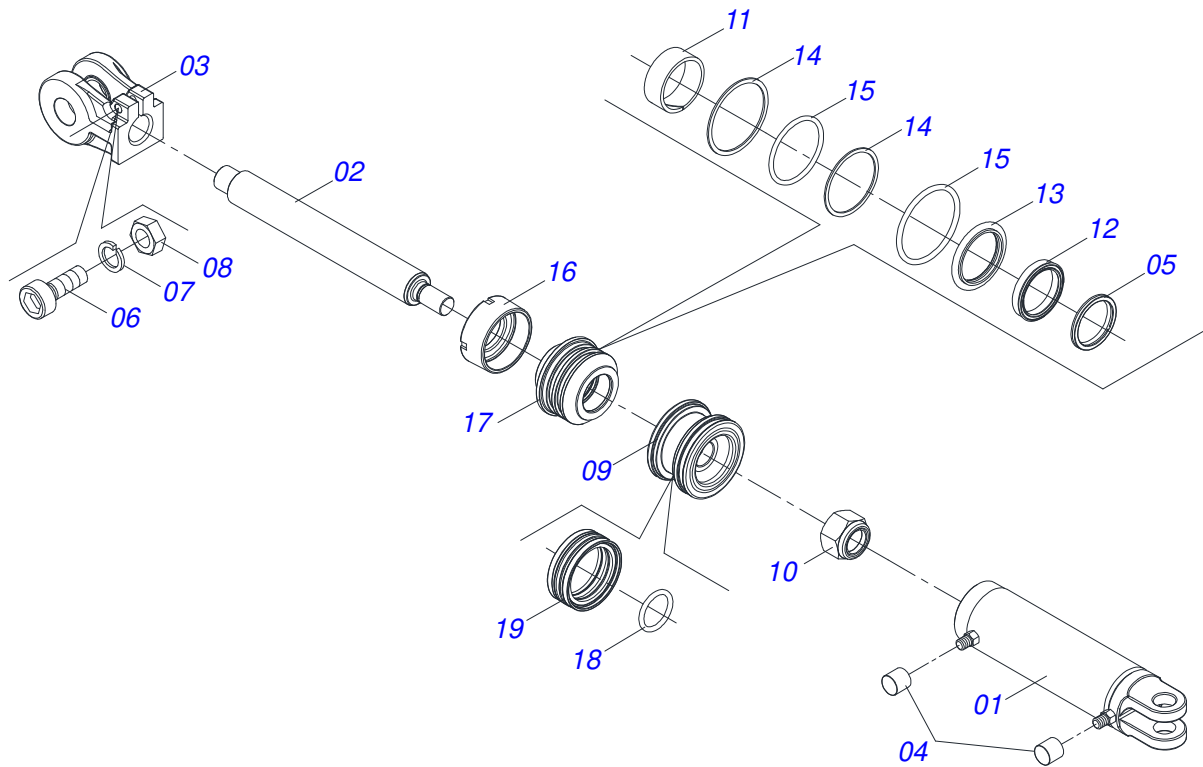
Item	Code	Description	See page	QT
01	0501060188	DRAWBAR ASSY		01
02	0521061775	TRACTOR HITCH		01
03	0501010060	1" X 6-1/2" BOLT		01
04	0503011438	SPRING WASHER		01
05	0501010059	1.5/8 NUT		01



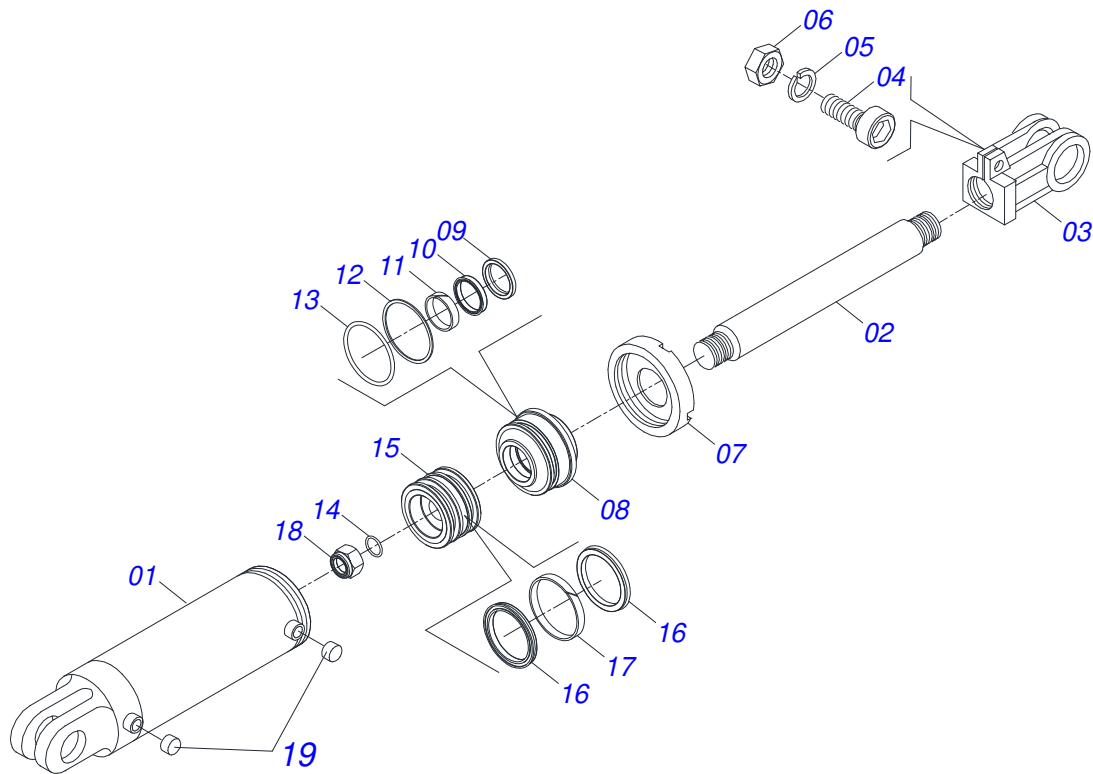
Item	Code	Description	See page	QT
01	0511067334	HOSE SOPPORT ASSY		01
02	0503010014	3/4" NUT		02
03	0501010322	FLAT WASHER		02



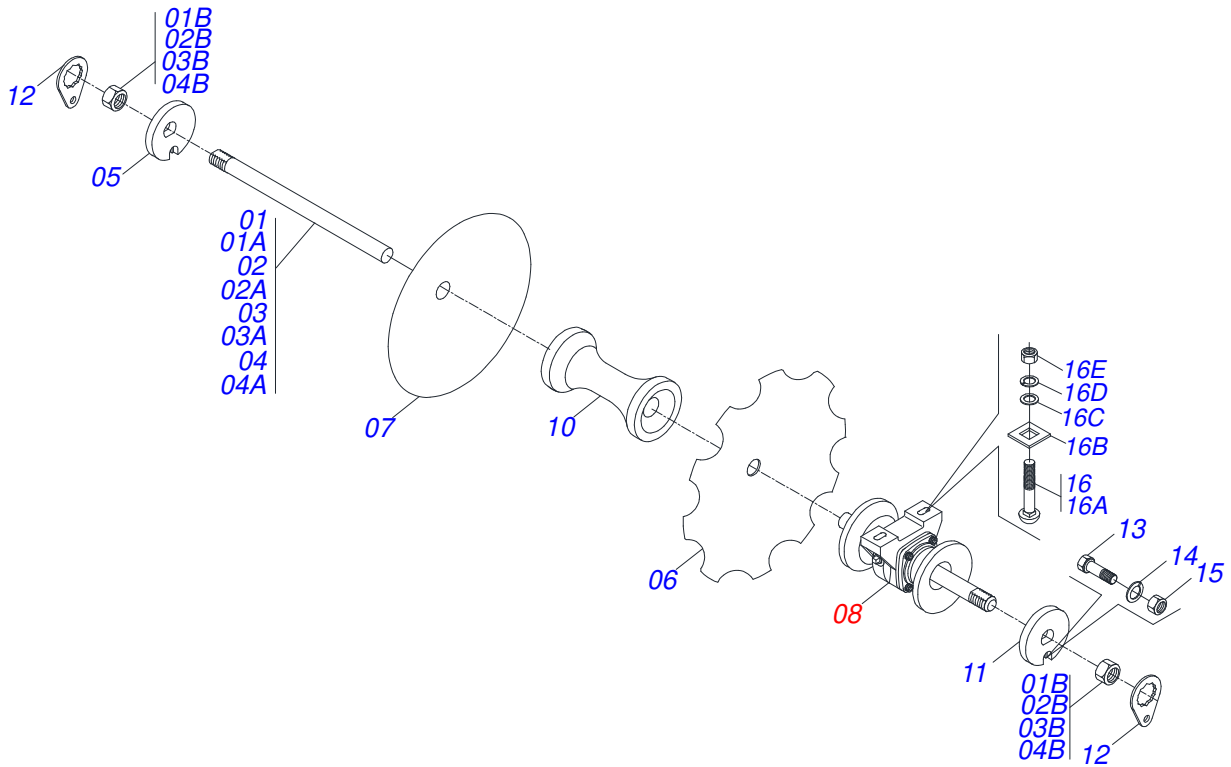
Item	Code	Description	See page	QT
01	0503010571	1/4" X 1.1/2 COTTERPIN		17
02	0511059180	HYDRAULIC CYLINDER	7	01
03	0501044311	1.7"X3.4"X31"X15" HYDRAULIC CYLINDER	8	02
04	0521010576	0.9" X 3.7" COUPLING SHAFT		04
05	0511018012	HIDRAULIC ADAPTER		02
06	0501065219	ADPTOR WHIT GIRAT NUT		02
07	0501080379	TR-TR HOSE ASSY		01
08	0501080403	3/8" X 137" TR-TR HOSE ASSY		01
09	0501080430	3/8" X 161.4" TC-TM HOSE ASSY		02
10	0501080443	3/8" X 236" TR-TM HOSE		01
11	0501080444	3/8" X 250" TR-TR HOSE ASSY		01
12	0501053834	MALE QUICK COUPLER WITH CAP - 1/2 NPT		04
13	0503012555	SCREW 7/16 UNC X 2 CS RT G.7 ZN		02
14	0503010180	7/16" SPRING WASHER		04
15	0502012702	BODY SUPPORT CLAMP		04
16	0521012538	1.2" X 3.5" COUPLING SHAFT		02
17	0503010523	1/4" X 2" COTTERPIN		02
18	0503011103	7/16" X 2-1/2" BOLT		02
19	0531011180	UPPER BODY CLIP		02



Item	Code	Description	See page	QT
01	0511070658	CYLINDER CASE	01	01
02	0571019958	HYDRAULIC CYLINDER TURNBUCKLE	01	01
03	0502040747	32.54 CLEVIS CLAMP	01	01
04	0503030385	CYLINDER PLUG N-002	02	02
05	0503010039	D-2000 SCRAPER RING	01	01
06	0503011094	3/8" X 2" BOLT	01	01
07	0503011443	3/8" SPRING WASHER	01	01
08	0503010026	3/8" NUT	01	01
09	0502012820	50.80 X 101.60 PISTON	01	01
10	0503010817	1.1/4" SELF LOCKING NUT	01	01
11	0503018025	RING GUIDE	01	01
12	0503018026	1870-2000-375 B GASKET	01	01
13	0503018024	RING BS	01	01
14	0503010338	2-342 N 3006-9B O'RING	02	02
15	0503011061	8-342 BACK-UP RING	02	02
16	0502012822	101.60 END CAP	01	01
17	0502012821	50.80 X 101.60 RING SUPPORT	01	01
18	0503018029	2-217 O'RING	01	01
19	0503015633	SELEMASTER SEALING	01	01

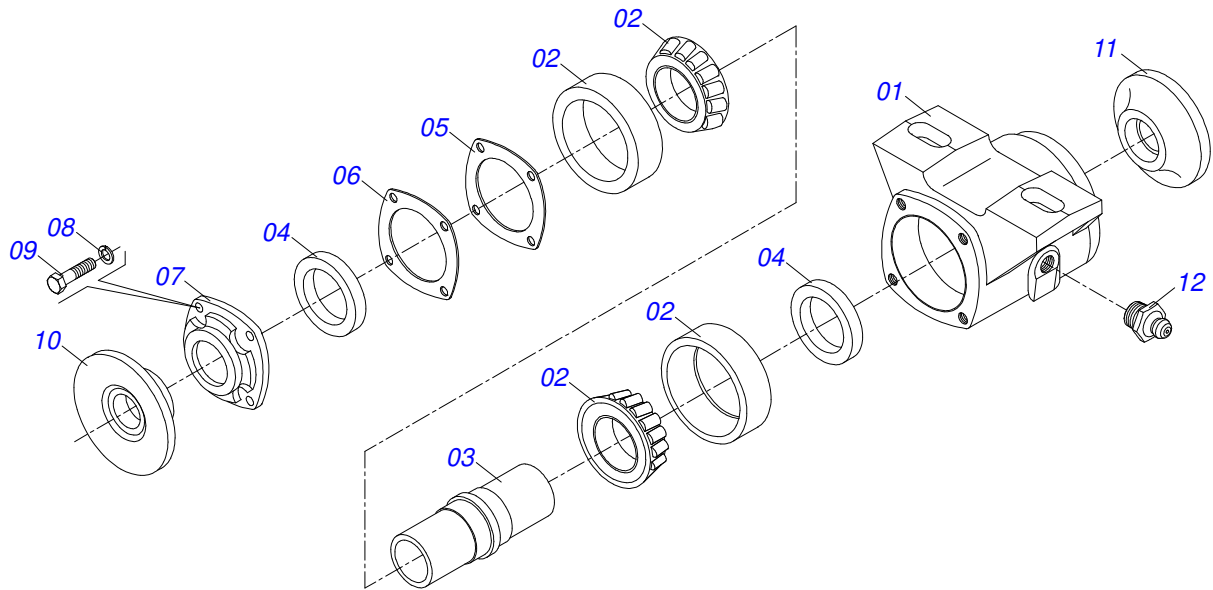


Item	Code	Description	See page	QT
01	0501065363	2.4" X 16" CYLINDER CASE		01
02	0511013609	1.7" X 27" TURNBUCLE		01
03	0502040493	CLEVIS 26,50 R41		01
04	0503011094	3/8" X 2" BOLT		01
05	0503010025	3/8" SPRING WASHER		01
06	0503010026	3/8" NUT		01
07	0502010993	DETACHABLE COVER		01
08	0502010781	RING SUPPORT		01
09	0503010761	D-1750 SCRAPER RING		01
10	0503010949	W2-2000-500 PK RING G.E		01
11	0503010990	GASKET		01
12	0503010976	2-336 N 3006-9B O'RING		01
13	0503011060	8-336 BACK-UP RING		01
14	0503010042	2-214 N 3006-9B O'RING		01
15	0502010843	1.8" X 3.4" PISTON		01
16	0503010170	PACKING 3120 2750		02
17	0503010948	W4-3346-590 PK RING G.E		01
18	0503010063	1" SELF-ALIGNING NUT		01
19	0503030385	CYLINDER PLUG N-002		02
20	0501031796	HYDRAULIC CYLINDER REPAIR KIT		

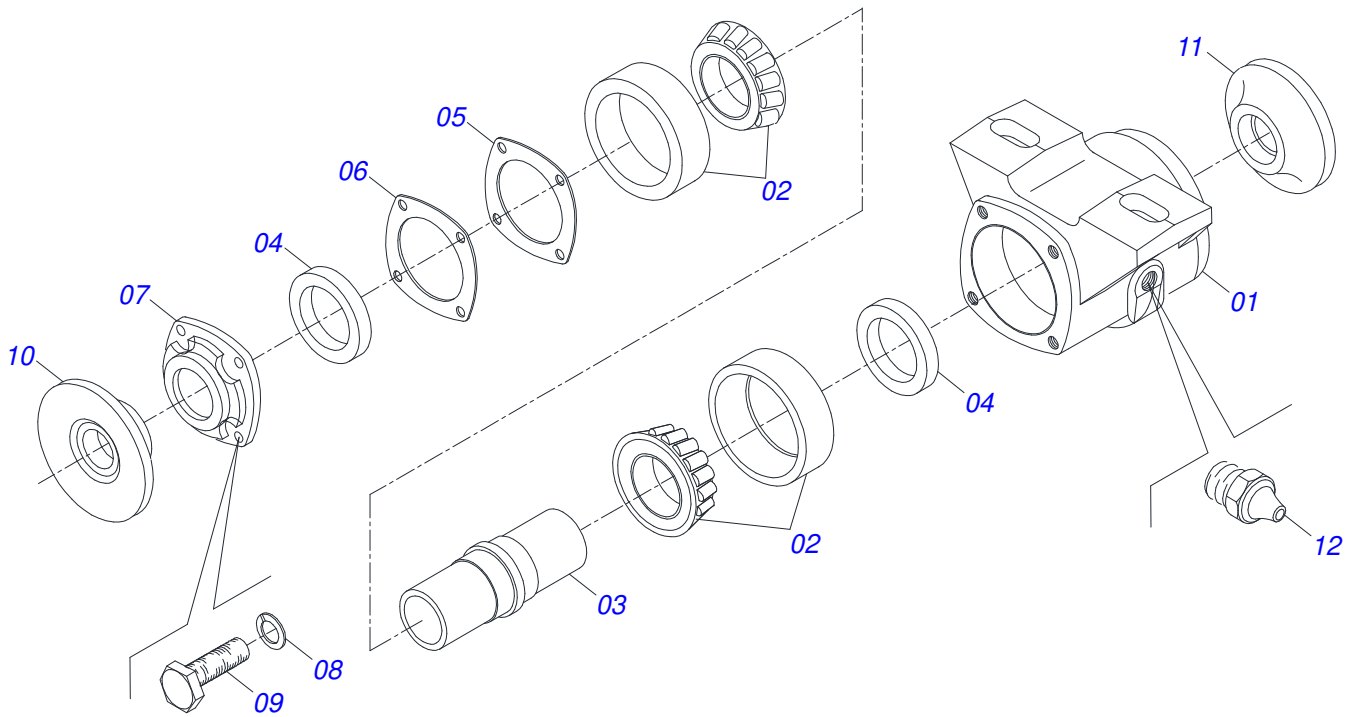


Item	Code	Description	See page	44	48	52	56
01	0501042407	1-1/4" X 27" AXLE WITH NUTS		04	00	00	00
01A	0501016648	1-1/4" X 27" AXLE		04	00	00	00
01B	0501010087	1.1/4" NUT		16	16	16	16
02	0501042262	1-1/4" X 35" AXLE WITH NUTS		00	04	00	00
02A	0501016647	1-1/4" X 35" AXLE		00	04	00	00
02B	0501010087	1.1/4" NUT		00	04	00	00
03	0501042201	1.1/4" X 1090 AXLE WITH NUTS		00	00	04	00
03A	0501016649	1.1/4" X 1090 AXLE		00	00	04	00
03B	0501010087	1.1/4" NUT		00	00	04	00
04	0501042202	1-1/4" X 50" AXLE WITH NUTS		04	04	04	08
04A	0501016650	1-1/4" X 50" AXLE		08	08	08	08
04B	0501010087	1.1/4" NUT		00	00	00	04
05	0502010835	1-1/4" EXTERNAL AXLE WASHER		08	08	08	08
06	0602027002	20" X 0.2" NOTCHED DISC BLADE		22	24	26	28
06.	0602029007	22" X 0.2" NOTCHED DISC BLADE		22	24	26	28
07	0601027002	20" X 0.1" PLAIN DISC BLADE		20	22	24	26
07.	0601029006	22"X 0.2" PLAIN DISC BLADE		20	22	24	26
07..	0601025043	18" X 0.1" PLAIN DISC BLADE		02	02	02	02
07...	0601027002	20" X 0.1" PLAIN DISC BLADE		02	02	02	02
08	0501046922	7.5" X 1-1/4" OIL BATH BEARING	12	08	08	08	08
08.	0501046913	GX 7" 1-1/4" BEARING ASSY	10	08	08	08	08
08..	0501042180	BEARING DM OL 192.5 X 1.1/4 IT	13	08	08	08	08
08...	0501043191	CM GX 7" 1-1/4 BEARING ASSY	11	08	08	08	08
10	0502010549	7.6" X 1-1/4" SPACER		20	24	28	32
11	0502010834	1-1/4" INNER AXLE WASHER		08	08	08	08
12	0501010455	1.1/4" NUT LOCK		16	16	16	16
13	0503010395	1/2" X 1-1/4" BOLT		16	16	16	16
14	0503010019	1/2" SPRING WASHER		16	16	16	16
15	0503010060	1/2" NUT		16	16	16	16
16	0501048788	IMPLEMENT PARTS ASSY 5/8 UNC X 2.1/2 CA		16	16	16	16
16A	0501014177	5/8" X 2-1/2" BOLT		16	16	16	16

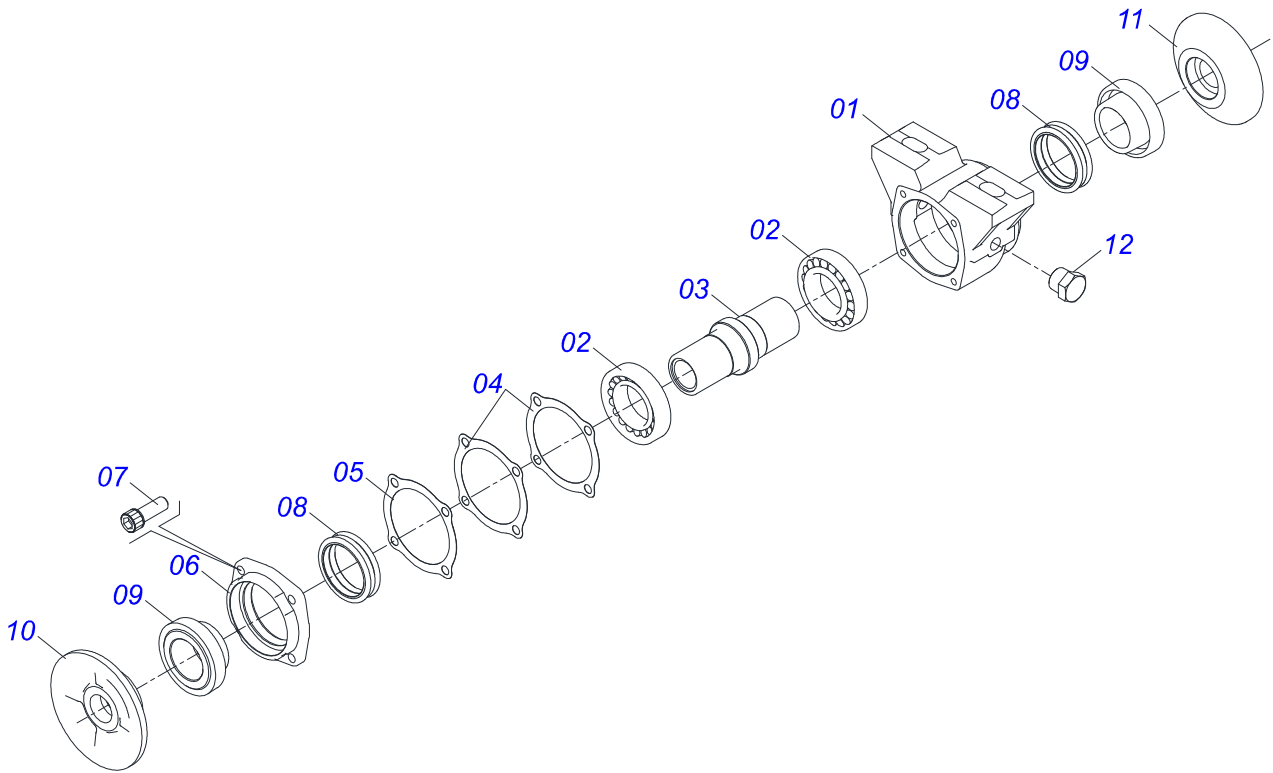
Item	Code	Description	See page	44	48	52	56
16B	0501010947	5/8 NUT LOCK		16	16	16	16
16C	0501010453	FLAT WASHER		16	16	16	16
16D	0503010027	5/8" SPRING WASHER		16	16	16	16
16E	0503010013	5/8" NUT		16	16	16	16



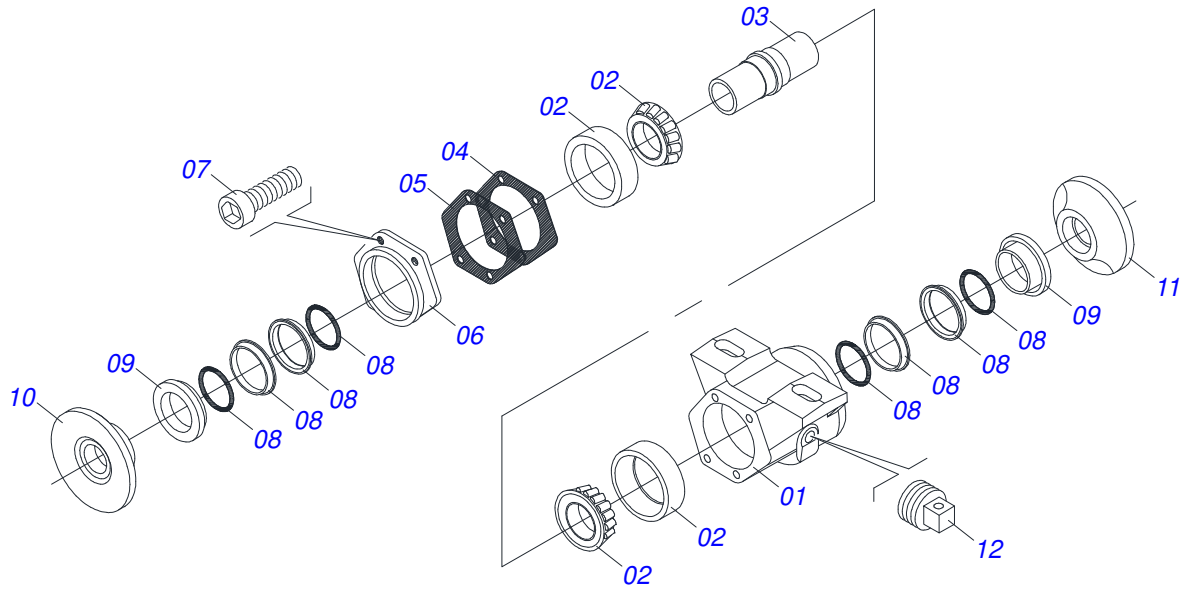
Item	Code	Description	See page	QT
01	0502020313	HOUSING CM		01
02	0503010111	30210 ROLLER BEARING		02
03	0502040218	AXLE		01
04	0503010468	SEAL 01199-GB		02
05	0503030013	4.4" X 3.5" X 0.004" JOINT		02
06	0503030684	4.4" X 3.5" X 0.004" JOINT		01
07	0502020273	HOUSING CAP CM		01
08	0503011443	3/8" SPRING WASHER		04
09	0503810237	3/8 UNC X 1 C S G.5 SA BOLT		04
10	0502010070	OUTER FLANGE		01
11	0502010071	INNER FLANGE		01
12	0503010002	1800 GREASE FITTING		01



Item	Code	Description	See page	QT
00	0501043191	CM GX 7" 1-1/4 BEARING ASSY	11	01
01	0502020489	HOUSING CM		01
02	0503010111	30210 ROLLER BEARING		02
03	0502040218	AXLE		01
04	0503010468	SEAL 01199-GB		02
05	0503030013	4.4" X 3.5" X 0.004" JOINT		02
06	0503030684	4.4" X 3.5" X 0.004" JOINT		01
07	0502020273	HOUSING CAP CM		01
08	0503011443	3/8" SPRING WASHER		04
09	0503011087	3/8" X 1" BOLT		04
10	0502010070	OUTER FLANGE		01
11	0502010071	INNER FLANGE		01
12	0503010002	1800 GREASE FITTING		01



Item	Code	Description	See page	QT
01	0502010540	HOUSING DM		01
02	0503010111	30210 ROLLER BEARING		02
03	0502040218	AXLE		01
04	0503030013	4.4" X 3.5" X 0.004" JOINT		02
05	0503030684	4.4" X 3.5" X 0.004" JOINT		01
06	0502020424	HOUSING CAP		01
07	0503010134	3/8" X 1" BOLT		04
08	0503030026	SEAL LP JB-253		02
09	0502010541	SEAL RETAINER		02
10	0502010070	OUTER FLANGE		01
11	0502010071	INNER FLANGE		01
12	0503010856	OIL PLUG		01



Item	Code	Description	See page	QT
01	0502010539	HOUSING DM		01
02	0503010111	30210 ROLLER BEARING		02
03	0502040218	AXLE		01
04	0503030013	4.4" X 3.5" X 0.004" JOINT		02
05	0503030684	4.4" X 3.5" X 0.004" JOINT		01
06	0502020424	HOUSING CAP		01
07	0503010134	3/8" X 1" BOLT		04
08	0503030026	SEAL LP JB-253		02
09	0502010541	SEAL RETAINER		02
10	0502010070	OUTER FLANGE		01
11	0502010071	INNER FLANGE		01
12	0503010856	OIL PLUG		01



civemasa

Technical Publications | Elaboration and Revision
ALESSANDRA PATRICIA KAWAHARA CARRILI

www.civemasa.com.br

