

**DISK HARROWS**

## **GDF 48D - CORNER (AXLE 1.1/4")**

**Code:** 0501091227  
**Series:** S-1014  
**Revision:** 00  
**Revision Date:** FEVEREIRO/2023

# **PARTS CATALOGUE**


***CIVEMASA***

# PRODUCTS

| <b>Code</b> | <b>Description</b>             |
|-------------|--------------------------------|
| 0121110060  | GDF 48X20X3,50 DM MT CT S-1014 |

## **ATTENTION: IMPORTANT**

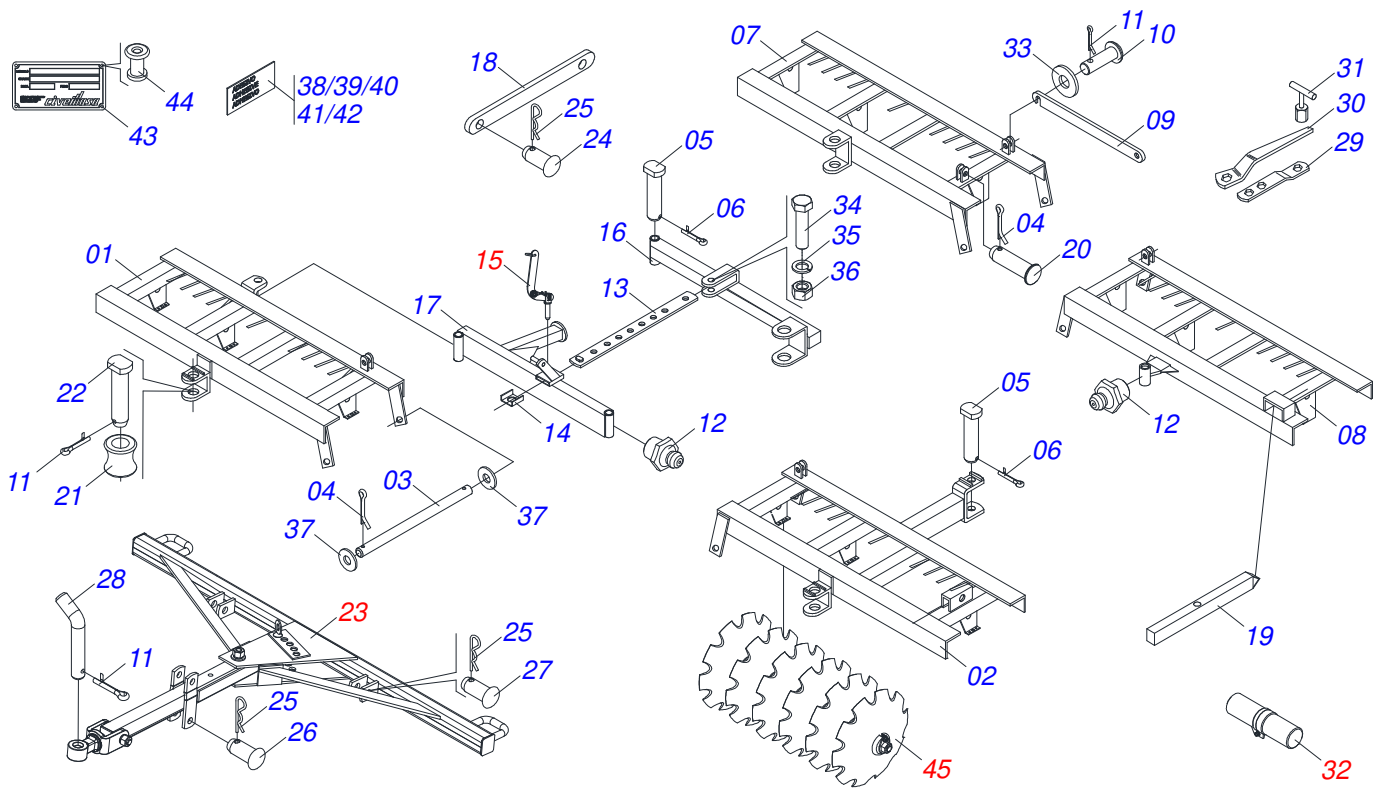
CIVEMASA reserves the right to improve and/or modify the technical features of its products, without obligation to do the same with those products already sold and without prior knowledge of the dealer or the customer. The photos are only illustrative.





# INDEX

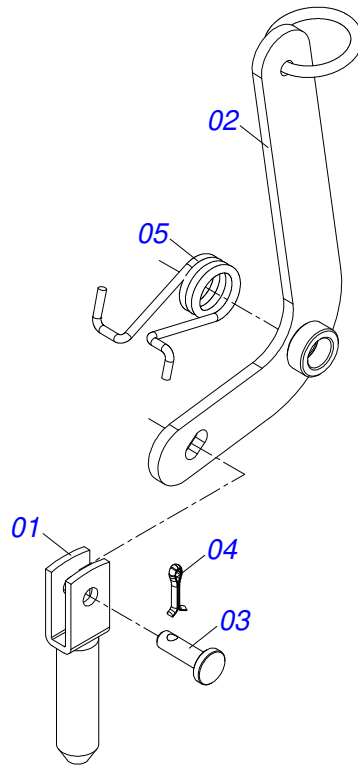
|            |  |       |   |
|------------|--|-------|---|
| 0909091129 | ASSY FRAME   | ..... | 1 |
| 0501047858 | ADJUSTMENT LEVER ASSY                              | ..... | 2 |
| 0501043380 | DRAWBAR ASSY                                       | ..... | 3 |
| 0531059517 | INSTRUCTION MANUAL DOOR SET                        | ..... | 4 |
| 0909091131 | GANG DISC ASSY                                     | ..... | 5 |
| 0501046922 | AGRICULTURAL BEARING DM OL 192.5 X 1.1/4 IMPLEMENT | ..... | 6 |



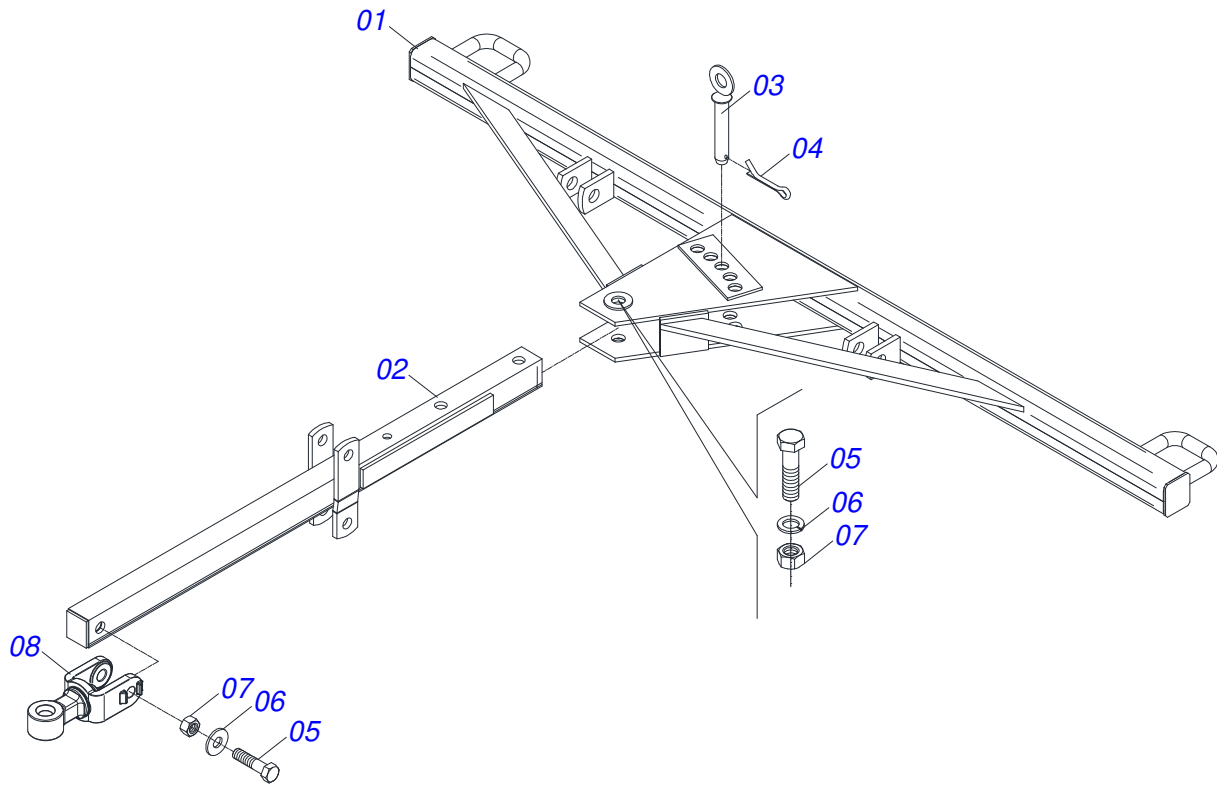
| Item | Code       | Description                | See page | 48 |
|------|------------|----------------------------|----------|----|
| 01   | 0511063277 | RIGHT FORNT FRAME          |          | 01 |
| 02   | 0511063278 | LEFT FRONT FRAME           |          | 01 |
| 03   | 0511014402 | 1-1/8" X 23" AXLE          |          | 02 |
| 04   | 0503010523 | 1/4" X 2" COTTERPIN        |          | 06 |
| 05   | 0521010644 | 1.5" X 8.4" COUPLING SHAFT |          | 04 |
| 06   | 0503010534 | 3/8 X 2-1/2 COTTERPIN      |          | 04 |
| 07   | 0511063279 | RIGHT REAR FRAME           |          | 01 |
| 08   | 0511062878 | LEFT REAR FRAME            |          | 01 |
| 09   | 0511014359 | TRANSPORT LOCK             |          | 02 |
| 10   | 0521012535 | 1.1" X 2.7" COUPLING SHAFT |          | 04 |
| 11   | 0503010571 | 1/4" X 1.1/2 COTTERPIN     |          | 06 |
| 12   | 0503010002 | 1800 GREASE FITTING        |          | 07 |
| 13   | 0501066638 | ADJUSTMENT BAR             |          | 01 |
| 14   | 0501011649 | U 1.2" X 3.1"X 3/16" BAR   |          | 01 |
| 15   | 0501047858 | ADJUSTMENT LEVER ASSY      | 2        | 01 |
| 16   | 0501066640 | REAR STABILIZER BAR        |          | 01 |
| 17   | 0501066641 | FRONT STABILIZER BAR       |          | 01 |
| 18   | 0511014080 | 53" ATTACHMENT BAR         |          | 01 |
| 19   | 0511062946 | TRANSPORT LOCK             |          | 01 |
| 20   | 0521010592 | 1.1" X 3.1" COUPLING SHAFT |          | 01 |
| 21   | 0502040147 | REEL                       |          | 02 |
| 22   | 0521010628 | 25,40 X 105 COUPLING SHAFT |          | 01 |
| 23   | 0501043380 | DRAWBAR ASSY               | 3        | 01 |
| 24   | 0521010578 | COUPLING SHAFT             |          | 01 |
| 25   | 0503031035 | HITCH PIN CLIP             |          | 05 |
| 26   | 0521010579 | COUPLING SHAFT             |          | 01 |
| 27   | 0521010593 | 1.1" X 3.9" COUPLING SHAFT |          | 02 |
| 28   | 0521010453 | AXI SHAFT                  |          | 01 |
| 29   | 0511018451 | 5/8" X 3/4" X 1" UNIVERSAL |          | 01 |
| 30   | 0501010198 | 1-1/4" CABLE FLAT WRENCH   |          | 01 |
| 31   | 0501068289 | 5/8" WRENCH                |          | 01 |

**ASSY FRAME**

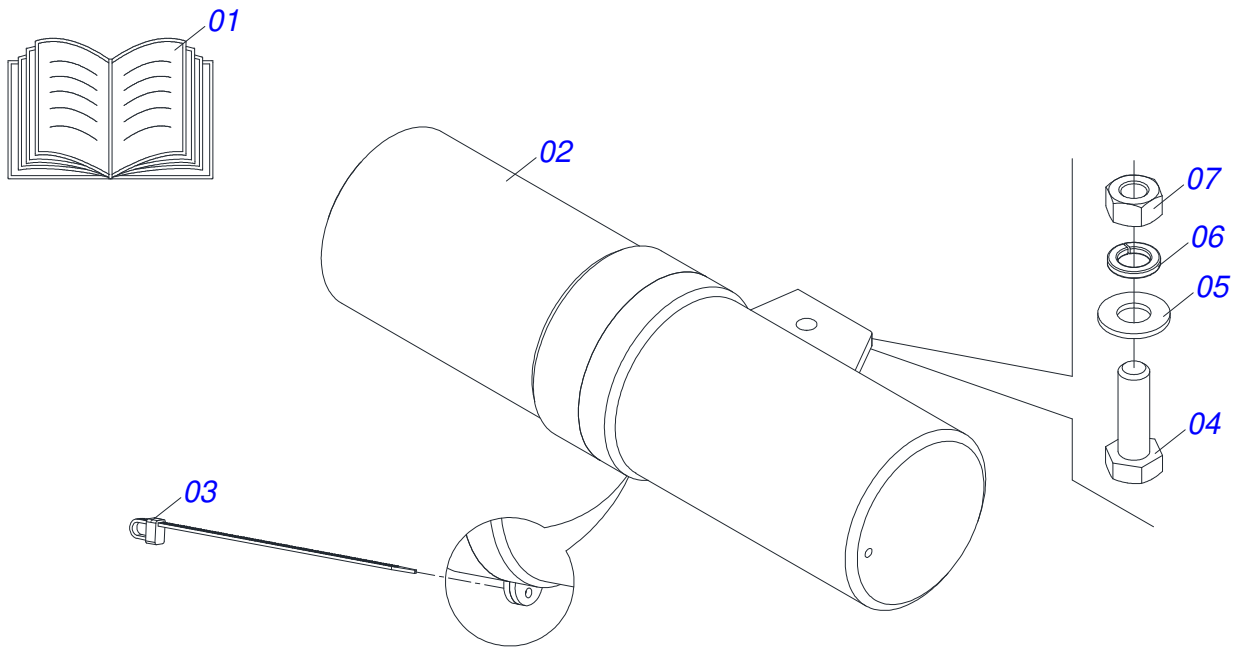
| <b>Item</b> | <b>Code</b> | <b>Description</b>            | <b>See page</b> | <b>48</b> |
|-------------|-------------|-------------------------------|-----------------|-----------|
| 32          | 0531059517  | INSTRUCTION MANUAL DOOR SET   | 4               | 01        |
| 33          | 0501011445  | FLAT WASHER                   |                 | 04        |
| 34          | 0503011432  | BOLT                          |                 | 01        |
| 35          | 0503010012  | 1" SPRING WASHER              |                 | 01        |
| 36          | 0501010059  | 1.5/8 NUT                     |                 | 01        |
| 37          | 0501017779  | 32 X 60 X 4.75 FLAT WASHER    |                 | 04        |
| 38          | 0503034065  | GDF EMBLEM                    |                 | 01        |
| 39          | 0503031738  | ADHESIVE LABEL                |                 | 01        |
| 40          | 0503033647  | APPROVED BADGE                |                 | 01        |
| 41          | 0503031428  | READ MANUAL DECAL             |                 | 01        |
| 42          | 0503033243  | EMBLEM LOGO CIVEMASA 60 X 240 |                 | 01        |
| 43          | 0503034004  | ALUMINUM IDENTIFICATION LABEL |                 | 01        |
| 44          | 0503010001  | 3.2 X 5.5 RIVET               |                 | 04        |
| 45          | 0909091131  | GANG DISC ASSY                | 5               | 01        |



| Item | Code       | Description                | See page | QT |
|------|------------|----------------------------|----------|----|
| 01   | 0501060185 | ADJUSTMENT LOCK            |          | 01 |
| 02   | 0501068981 | ADJUSTMENT LEVER           |          | 01 |
| 03   | 0521010624 | 0.4" X 1.5" COUPLING SHAFT |          | 01 |
| 04   | 0503010071 | 3/16" X 1" COTTERPIN       |          | 01 |
| 05   | 0503030025 | 1.4" X 0.2" TORSION SPRING |          | 01 |

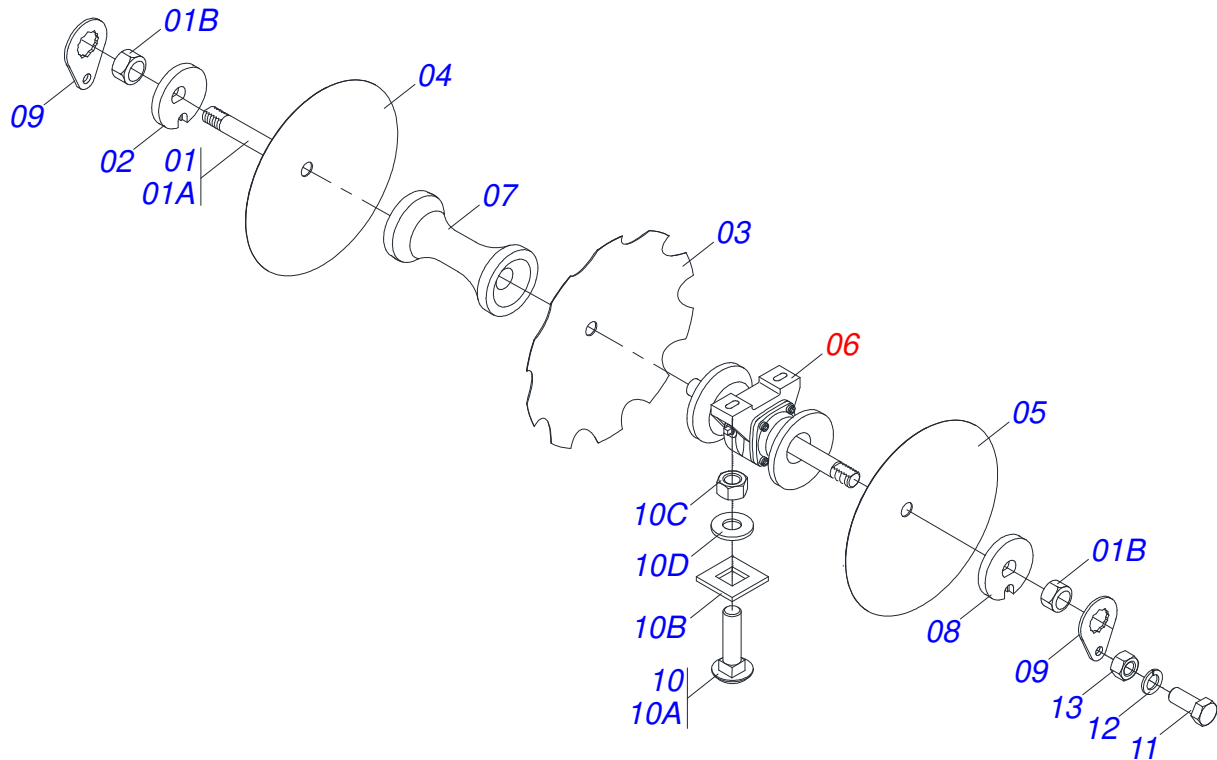


| Item | Code       | Description                | See page | QT |
|------|------------|----------------------------|----------|----|
| 01   | 0501064763 | OFFSET BAR FOR TRANSPORT   |          | 01 |
| 02   | 0501064878 | DRAWBAR ASSY               |          | 01 |
| 03   | 0501068993 | 0.9" X 5.5" COUPLING SHAFT |          | 01 |
| 04   | 0503010523 | 1/4" X 2" COTTERPIN        |          | 01 |
| 05   | 0501010372 | 1" X 5-1/2" BOLT           |          | 02 |
| 06   | 0503011438 | SPRING WASHER              |          | 02 |
| 07   | 0501010059 | 1.5/8 NUT                  |          | 02 |
| 08   | 0521062444 | TRACTOR HITCH              |          | 01 |

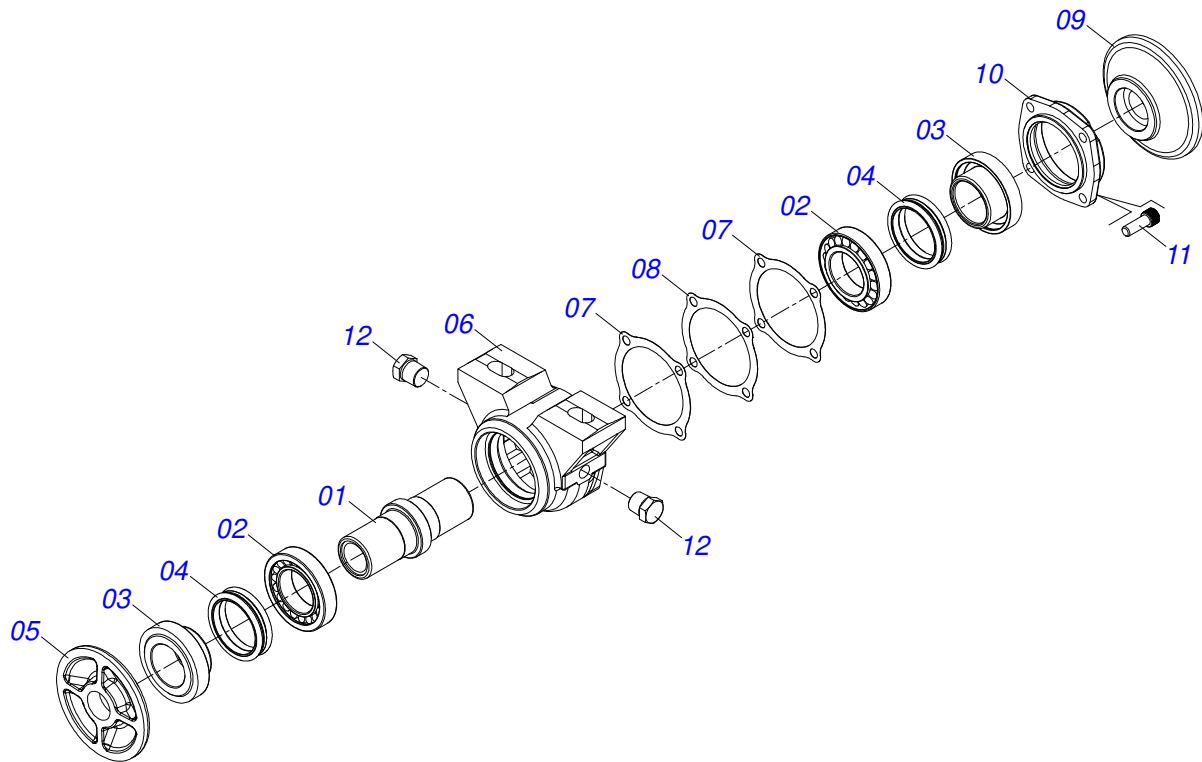


| Item | Code       | Description                     | See page | QT |
|------|------------|---------------------------------|----------|----|
| 01   | 0511034547 | BAG WITH GDF INSTRUCTION MANUAL |          | 01 |
| 02   | 0503060100 | INSTRUCTIONS MANUAL CANISTER    |          | 01 |
| 03   | 0503010267 | NYLON CLAMP                     |          | 01 |
| 04   | 0503010363 | BOLT 5/16 UNC X 1 C S G.2 ZN    |          | 01 |
| 05   | 0501010694 | FLAT WASHER                     |          | 01 |
| 06   | 0503010179 | LOCK WASHER 5/16 ZN 1K01528     |          | 01 |
| 07   | 0503010337 | 5/16" NUT                       |          | 01 |





| Item | Code       | Description  | See page | QTD |
|------|------------|--|----------|-----|
| 01   | 0501042965 | 1-1/4" X 89" AXLE WITH NUTS                          |          | 04  |
| 01A  | 0501017354 | 1-1/4" X 89" AXLE                                    |          | 04  |
| 01B  | 0501010087 | 1.1/4" NUT   |          | 08  |
| 02   | 0502010835 | 1-1/4" EXTERNAL AXLE WASHER                          |          | 04  |
| 03   | 0602027340 | DR 20 X 3,5 C57AF02FR1.5/16 10R                      |          | 24  |
| 04   | 0601027301 | DL 20 X 3,5 C57AF02FR1.5/16                          |          | 22  |
| 05   | 0601025251 | DL 18 X 3,5 C45AF02FR1.5/16                          |          | 02  |
| 06   | 0501046922 | AGRICULTURAL BEARING DM OL 192.5 X 1.1/4 6 IMPLEMENT |          | 06  |
| 07   | 0502010549 | 7.6" X 1-1/4" SPACER                                 |          | 32  |
| 08   | 0502010834 | 1-1/4" INNER AXLE WASHER                             |          | 04  |
| 09   | 0501010455 | 1.1/4" NUT LOCK                                      |          | 08  |
| 10   | 0501058802 | 5/8 UNC X 2.3/4 BOLT ASSY                            |          | 24  |
| 10A  | 0503015154 | 5/8" X 2.3/4" BOLT                                   |          | 24  |
| 10B  | 0501010947 | 5/8 NUT LOCK   |          | 24  |
| 10C  | 0503010013 | 5/8 NUT  |          | 24  |
| 10D  | 0501012140 | FLAT WASHER  |          | 24  |
| 11   | 0503010395 | 1/2" X 1-1/4" BOLT                                   |          | 08  |
| 12   | 0503010019 | 1/2" SPRING WASHER                                   |          | 08  |
| 13   | 0503010060 | 1/2 UNC G.5 ZN HEX NUT                               |          | 08  |



| Item | Code       | Description                | See page | QT      |
|------|------------|----------------------------|----------|---------|
| 01   | 0502040218 | AXLE                       |          | 01      |
| 02   | 0503010111 | 30210 ROLLER BEARING       |          | 02      |
| 03   | 0502010541 | SEAL RETAINER              |          | 02      |
| 04   | 0503030026 | SEAL LP JB-253             |          | 02      |
| 05   | 0502010071 | INNER FLANGE               |          | 01      |
| 06   | 0502010540 | HOUSING DM                 |          | 01      |
| 07   | 0503030013 | 4.4" X 3.5" X 0.004" JOINT |          | 02      |
| 08   | 0503030684 | 4.4" X 3.5" X 0.004" JOINT |          | 01      |
| 09   | 0502010070 | OUTER FLANGE               |          | 01      |
| 10   | 0502020424 | HOUSING CAP                |          | 01      |
| 11   | 0503010134 | 3/8" X 1" BOLT             |          | 04      |
| 12   | 0503010856 | OIL PLUG                   |          | 02      |
| 13   | 3402301247 | MINERAL OIL GREASE         |          | 0,11Lts |



**ANNOTATION**

---

---

---

---

---

---

---

---

---

---

---

---

---

---

---

---

---

---

---

---

---

---

---

---

---

---

---

---

---

---



***civemasa***

**Technical Publications | Elaboration and Revision**  
ALESSANDRA PATRICIA KAWAHARA CARRILI

[www.civemasa.com.br](http://www.civemasa.com.br)

