

# PARTS CATALOGUE

## DISK HARROWS

GNC 36/40/44/48/52/54D -  
MECHANICAL

Code: 0501091225



Series: S-1297

Rev.: 00

Date Rev.: JULHO/2018

ORIGINAL PARTS  
CIVEMASA

**civemasa**

# PRODUCTS

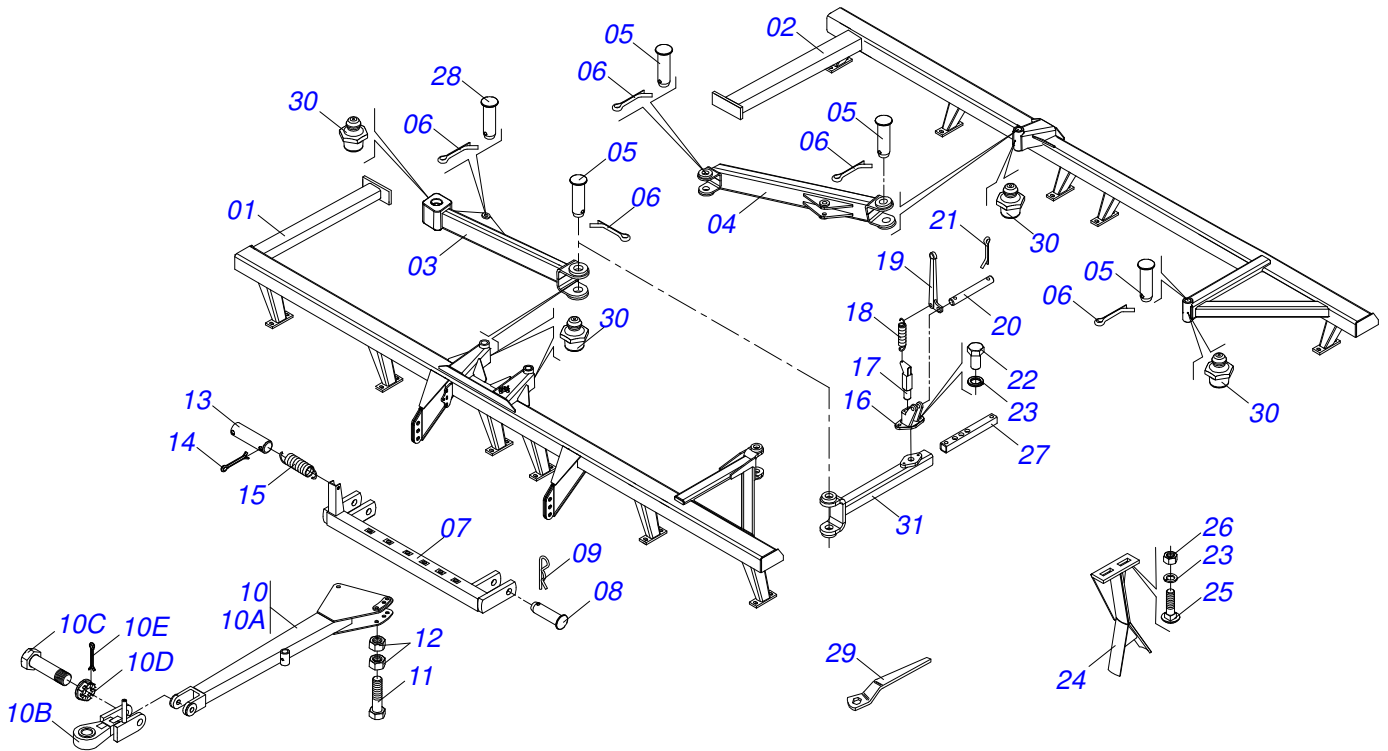
Code	Description
0120100031	GNC 36 MEC 22X4,5 DR 6320307 S-1297
0120100006	GNC 36 MEC 22X4,5L/R 6320251 S-1297
0120100048	GNC 40 MEC 22X4,5 DR 6321461 S-1297
0120100023	GNC 40 MEC 22X4,5L/R 6320370 S-1297
0120100073	GNC 44-MEC 22X4,5 DR 6321324 S-1297
0120100074	GNC 48 MEC 22X4,5 DR 6320619 S-1297
0120100062	GNC 48 MEC 22X4,5 L/R 6321342 S-1297
0120100076	GNC 52 MEC 22X4,5 DR S-1297
0120100075	GNC 52 MEC 22X4,5 L/R S-1297
0120100078	GNC 54 MEC 22X4,5 DR S-1297
0120100077	GNC 54 MEC 22X4,5 L/R S-1297

## ATTENTION: **IMPORTANT**

*CIVEMASA RESERVES THE RIGHT AT ANY TIME TO MAKE IMPROVEMENTS IN THE DESIGN, MATERIAL OR SPECIFICATIONS OF MACHINERY, EQUIPMENT OR PARTS WITHOUT THEREBY BECOMING LIABLE TO MAKE SIMILAR CHANGES IN MACHINERY, EQUIPMENT OR PARTS PREVIOUSLY SOLD.*

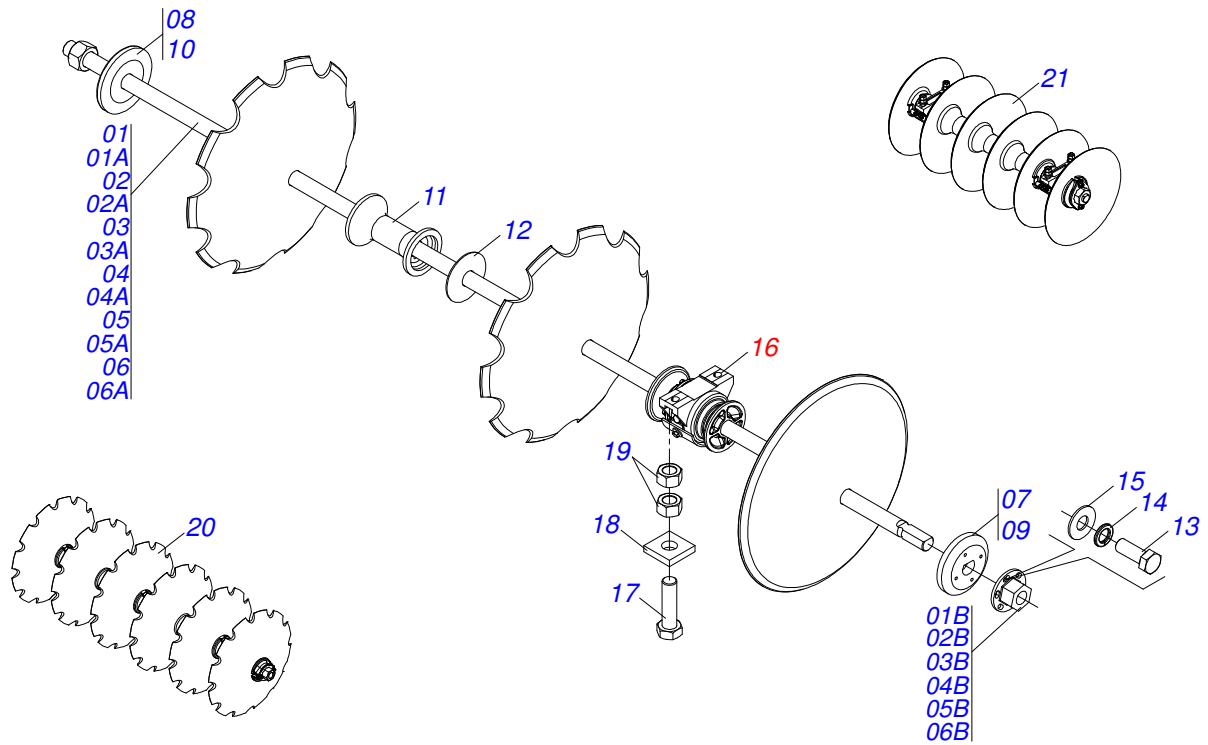
# INDEX

0909090688	GNC 36/40/44/48/52/54D	.....	1
0909094294	36/40/44/48/52/54D - DISC SECTION	.....	2
0511040472	AGRICULTURAL BEARING	.....	3

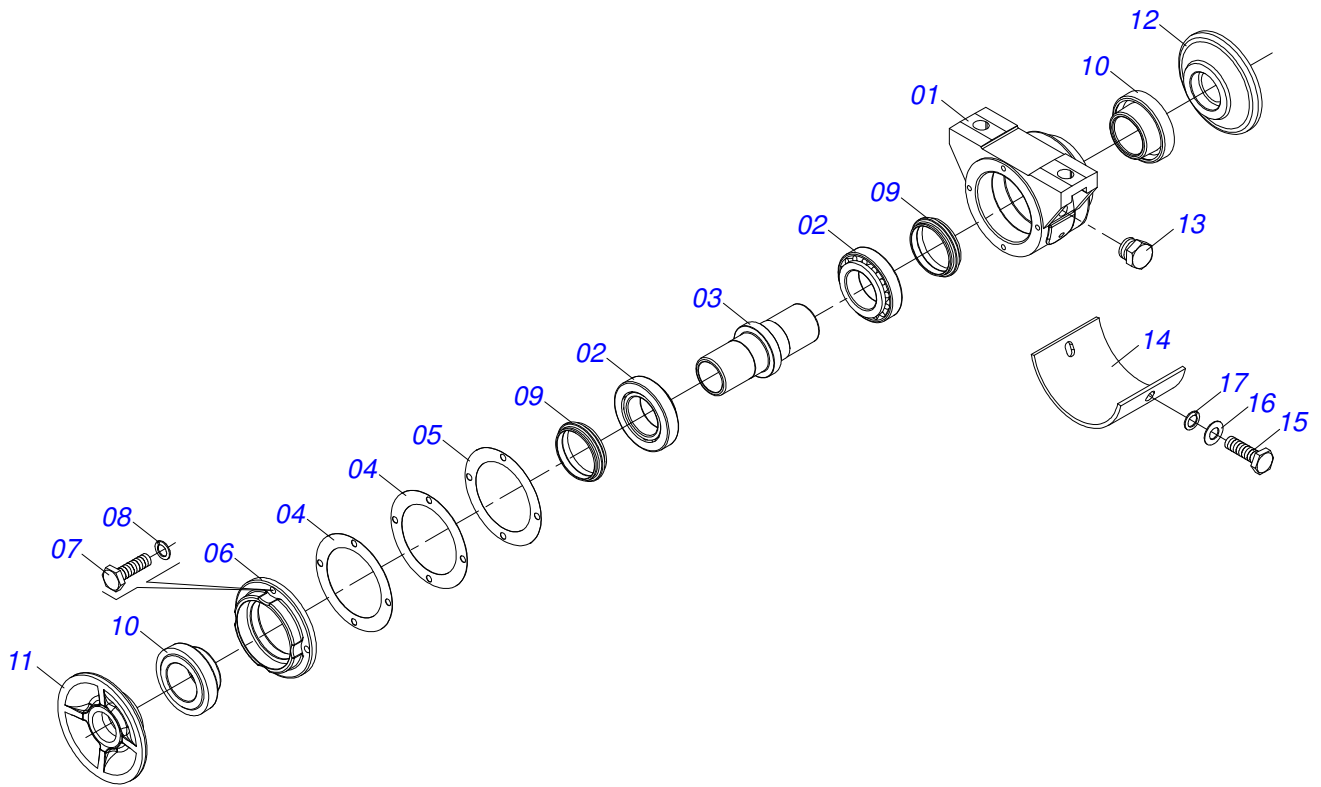


Item	Code	Description	36	40	44	48	52	54
01	0511061859	FRONT FRAME	01	00	00	00	00	00
01.	0511060642	FRONT FRAME GNC 60201NA 3324649	00	01	00	00	00	00
01..	0521061279	FRONT FRAME GNC 442000 3327335	00	00	01	00	00	00
01...	0521061285	FRAME FRONT	00	00	00	01	00	00
01....	0521061283	FRONT FRAME 522000 3327371	00	00	00	00	01	00
01.....	0521061281	FRONT FRAME GNC 542000 3327399	00	00	00	00	00	01
02	0511061863	REAR FRAME	01	00	00	00	00	00
02.	0511060641	REAR FRAME	00	01	00	00	00	00
02..	0521061280	REAR FRAME	00	00	01	00	00	00
02...	0521061286	REAR FRAME	00	00	00	01	00	00
02....	0521061284	REAR FRAME	00	00	00	00	01	00
02.....	0521061282	REAR FRAME	00	00	00	00	00	01
03	0511060637	ARM FRONT	01	01	00	00	00	00
03.	0521061058	ARM FRONT	00	00	01	01	01	01
04	0511060636	REAR ARM	01	01	00	00	00	00
04.	0521061059	REAR ARM	00	00	01	01	01	01
05	0511060177	PIN	05	05	05	05	05	05
06	0503010010	1/4" X 2.1/2" COTTERPIN	06	06	06	06	06	06
07	0511060640	DRAWBAR ASSY	01	01	01	01	01	01
08	0521014519	PIN WITH HEAD PN-009 3090092	02	02	02	02	02	02
09	0503031470	TM 251 X 4,0 STAPLE	02	02	02	02	02	02
10	0511050413	AXLE	01	01	01	01	01	01
10A	0511060638	AXLE ASSY	01	01	01	01	01	01
10B	0511060639	HOOK HITCH	01	01	01	01	01	01
10C	0521014427	BOLT BORED	01	01	01	01	01	01
10D	0521014518	HITCH FIX NUT	01	01	01	01	01	01
10E	0503010067	3/16" X 2.1/2" COTTER PIN	01	01	01	01	01	01
11	0503013185	3/4" X 5-1/2" BOLT	02	02	02	02	02	02
12	0503012183	SNC 3/4" ZIN 1K03097 NUT	04	04	04	04	04	04
13	0521013816	PIN SEM HEAD PN-052 3090523 ZN	01	01	01	01	01	01
14	0503010362	1/8" X 1.1/4" COTTERPIN	02	02	02	02	02	02
15	0503031542	SPRING	01	01	01	01	01	01
16	0502011828	GUIDE	01	01	01	01	01	01

Item	Code	Description	36	40	44	48	52	54
17	0511061027	PIN LOCK	01	01	01	01	01	01
18	0503031545	SPRING	02	02	02	02	02	02
19	0502011826	ARM	01	01	01	01	01	01
20	0521013816	PIN SEM HEAD PN-052 3090523 ZN	02	02	02	02	02	02
21	0503010362	1/8" X 1.1/4" COTTERPIN	04	04	04	04	04	04
22	0501010155	1/2" X 1" BOLT	02	02	02	02	02	02
23	0503010019	1/2" SPRING WASHER	48	56	64	72	80	88
24	0511060204	CLEANER - OPTIONAL	28	28	32	36	40	44
25	0501010243	1/2" X 1-1/2" BOLT	44	40	60	68	76	84
26	0503010020	1/2"NUT	44	40	60	68	76	84
27	0521018183	PROLONG	01	01	00	00	00	00
27.	0561015085	EXTENSION	00	00	01	01	01	01
28	0521015434	PIN	01	01	01	01	01	01
29	0501011432	1-1/2" AND 1-5/8 GANG BOLT WRENCH	02	02	02	02	02	02
30	0503010002	1800 GREASE FITTING	09	09	09	09	09	09
31	0511061028	ADJUSTMENT BAR	01	01	00	00	00	00
31.	0521061278	ADJUSTMENT BAR	00	00	01	01	01	01



Item	Code	Description	36	40	44	48	52	54
01	0511051175	AXLE DISC WITH NUTS	04	00	00	00	00	00
01A	0511060780	AXLE DISC	04	00	00	00	00	00
01B	0502011593	7" AXLE NUT	08	00	00	00	00	00
02	0511050313	AXLE DISC WITH NUTS	00	04	00	00	00	00
02A	0511060781	AXLE DISC	00	04	00	00	00	00
02B	0502011593	7" AXLE NUT	00	08	00	00	00	00
03	0511050184	AXLE DISC WITH NUTS	00	00	04	00	00	00
03A	0511060806	AXLE DISC	00	00	04	00	00	00
03B	0502011593	7" AXLE NUT	00	00	08	00	00	00
04	0511050329	AXLE DISC WITH NUTS	00	00	00	04	00	00
04A	0511060786	AXLE DISC	00	00	00	04	00	00
04B	0502011593	7" AXLE NUT	00	00	00	08	00	00
05	0511050778	AXLE DISC WITH NUTS	00	00	00	00	04	02
05A	0511060805	AXLE DISC	00	00	00	00	04	02
05B	0502011593	7" AXLE NUT	00	00	00	00	08	04
06	0511050305	AXLE DISC WITH NUTS	00	00	00	00	00	02
06A	0511060807	AXLE DISC	00	00	00	00	00	02
06B	0502011593	7" AXLE NUT	00	00	00	00	00	04
07	0502011609	OUTER FLANGE	02	02	02	02	02	02
08	0502011608	INNER FLANGE	02	02	02	02	02	02
09	0502011607	OUTER FLANGE	02	02	02	02	02	02
10	0502011606	INNER FLANGE	02	02	02	02	02	02
11	0502011594	SPACER	24	24	28	32	36	38
12	0521013879	GNC 57900 CHOCK	08	08	12	12	12	12
13	0503010237	3/8" X 1" BOLT	08	08	08	08	08	08
14	0503010025	3/8 SPRING WASHER	08	08	08	08	08	08
15	0501013518	FLAT WASHER	08	08	08	08	08	08
16	0511040472	AGRICULTURAL BEARING	08	12	12	12	12	12
17	0503012246	5/8" X 2-3/4" BOLT	16	24	24	24	24	24
18	0521013775	FLAT WASHER	16	24	24	24	24	24
19	0503010129	5/8" NUT	32	48	48	48	48	48
20	0602029409	22" X 4,5 NOTCHED DISC BLADE	36	40	44	48	52	54
21	0601029406	22" X 4,5 PLAIN DISC BLADE	18	20	00	24	26	27



Item	Code	Description	QT
01	0502012014	BODY BEARING	01
02	0503010006	32210 ROLLER BEARING	02
03	0502040514	157,50 / 157,35 AXLE	01
04	0503031730	JOINT SEALING	02
05	0503031729	JOINT SEALING	01
06	0502012015	BEARING COVER	01
07	0503010371	5/16" X 1" BOLT	04
08	0503011444	SPRING WASHER	04
09	0503030026	SEAL LP JB-253	02
10	0502010541	SEAL RETAINER	02
11	0502010604	OUTER FLANGE	01
12	0502010605	INNER FLANGE	01
13	0503010856	OIL PLUG	01
14	0521013857	PLATE PROTECTION	01
15	0503011334	3/8" X 3/4" BOLT	02
16	0501010984	FLAT WASHER	02
17	0503010025	3/8 SPRING WASHER	02

# ANNOTATIONS

---

---

---

---

---

---

---

---

---

---

---

---

---

---

---

---

---

---

---

---

---

---

---

---

---

---

---





email: [civemasa@civemasa.com.br](mailto:civemasa@civemasa.com.br)

[www.civemasa.com.br](http://www.civemasa.com.br)

Phone: +55 16.3382.8222

Fax: +55 16.3382.8355

## MARCHESAN IMPLEMENTOS E MÁQUINAS AGRÍCOLAS "TATU" S.A.

Av. Marchesan, 1979 - Post Office box, 131 - Cep 15994-900 - Matão - Sp - Brasil

CNPJ 52.311.289/0001-63 | Inst. Est.441.000.151.114

**Technical Publications: Elaboration**

JOSÉ DOMINGOS GASPARI

**Technical Publications: Revision**

ALESSANDRA PATRICIA KAWAHARA CARRILI

Contact Catálogo:

E-mail = [jgaspari@marchesan.com.br](mailto:jgaspari@marchesan.com.br)

ORIGINAIS PARTS  
CIVEMASA

