

DISK HARROWS

GDFM 64/68/72D - WITH PA

Code: 0501091177

Series: S-1014

Revision: 00

Revision Date: MAIO/2021

PARTS CATALOGUE

CIVEMASA

PRODUCTS

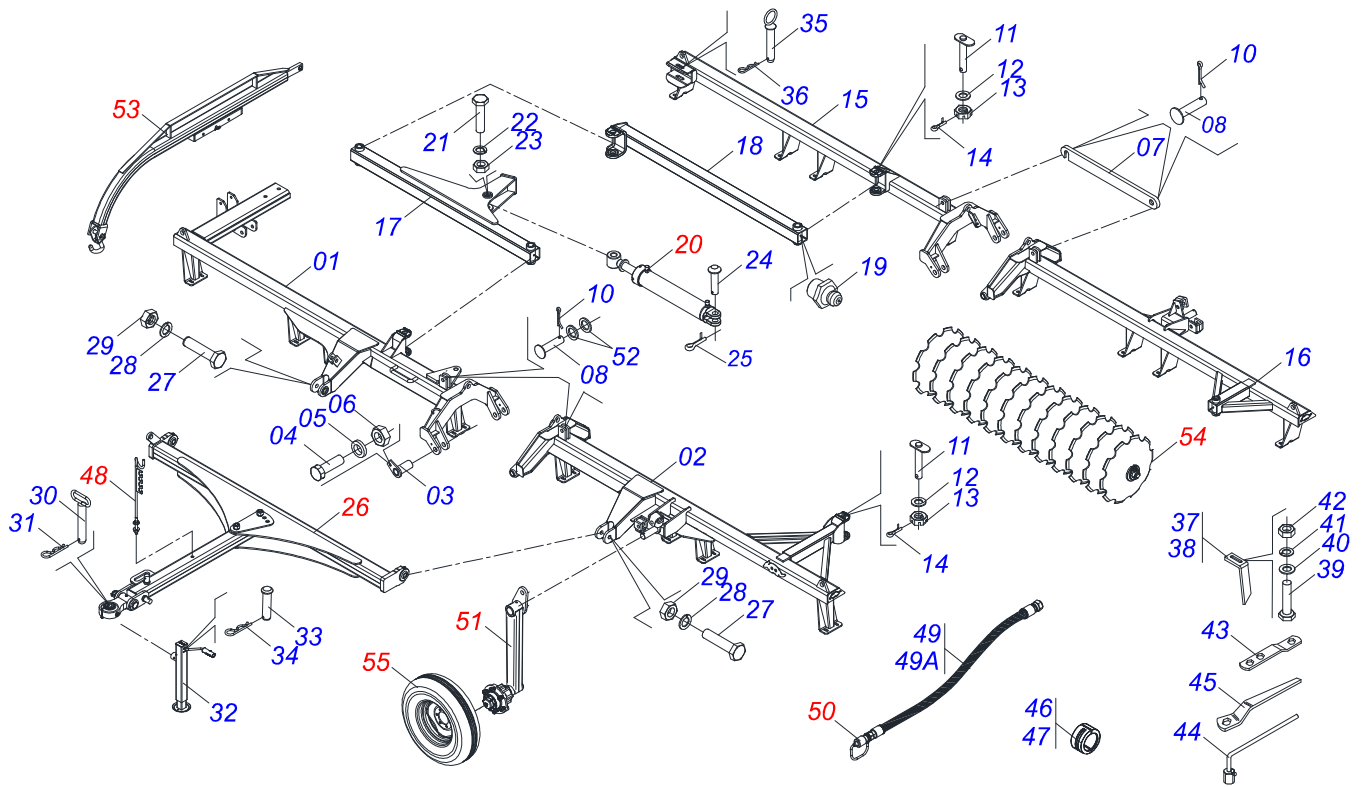
| Code | Description |
|------------|-------------------------------------|
| 0120660052 | GDFM 64 X 20 X 3,50 DM PA S-1014 |
| 0120660053 | GDFM 64 X 22 X 3,50 CM PA S-1014 |
| 0120660054 | GDFM 64 X 22 X 3,50 DM PA S-1014 |
| 0120660055 | GDFM 64 X 22 X 3,50 DM PA DR S-1014 |
| 0120660098 | GDFM 64 X 22 X 4,50 DM DR PA S-1014 |
| 0120660056 | GDFM 64 X 22 X 4,50 DM PA S-1014 |
| 0120660096 | GDFM 64X22X4,50 DM PA DL S-1014 |
| 0120660057 | GDFM 68 X 20 X 3,50 DM PA S-1014 |
| 0120660058 | GDFM 68 X 22 X 3,50 CM PA S-1014 |
| 0120660059 | GDFM 68 X 22 X 3,50 DM PA S-1014 |
| 0120660095 | GDFM 68 X 22 X 4,5 DM PA DR S-1014 |
| 0120660060 | GDFM 68 X 22 X 4,50 DM PA S-1014 |
| 0120660061 | GDFM 72 X 20 X 3,50 CM PA S-1014 |
| 0120660062 | GDFM 72 X 20 X 3,50 DM PA S-1014 |
| 0120660063 | GDFM 72 X 20 X 3,50 DM PA DL S-1014 |
| 0120660064 | GDFM 72 X 22 X 3,50 CM PA S-1014 |
| 0120660065 | GDFM 72 X 22 X 3,50 DM PA S-1014 |
| 0120660066 | GDFM 72 X 22 X 3,50 DM PA DR S-1014 |
| 0120660067 | GDFM 72 X 22 X 4,50 CM PA S-1014 |
| 0120660068 | GDFM 72 X 22 X 4,50 DM PA S-1014 |
| 0120660069 | GDFM 72 X 22 X 4,50 DM PA DR S-1014 |
| 0120660160 | GDFM 72 X 24 X 4,75 DM DR PA S-1014 |

ATTENTION: IMPORTANT

Civemasa reserves the right to improve and / or modify the technical features of its products, without obligation to do the same with those products already sold and without prior knowledge of the dealer or the consumer.

INDEX

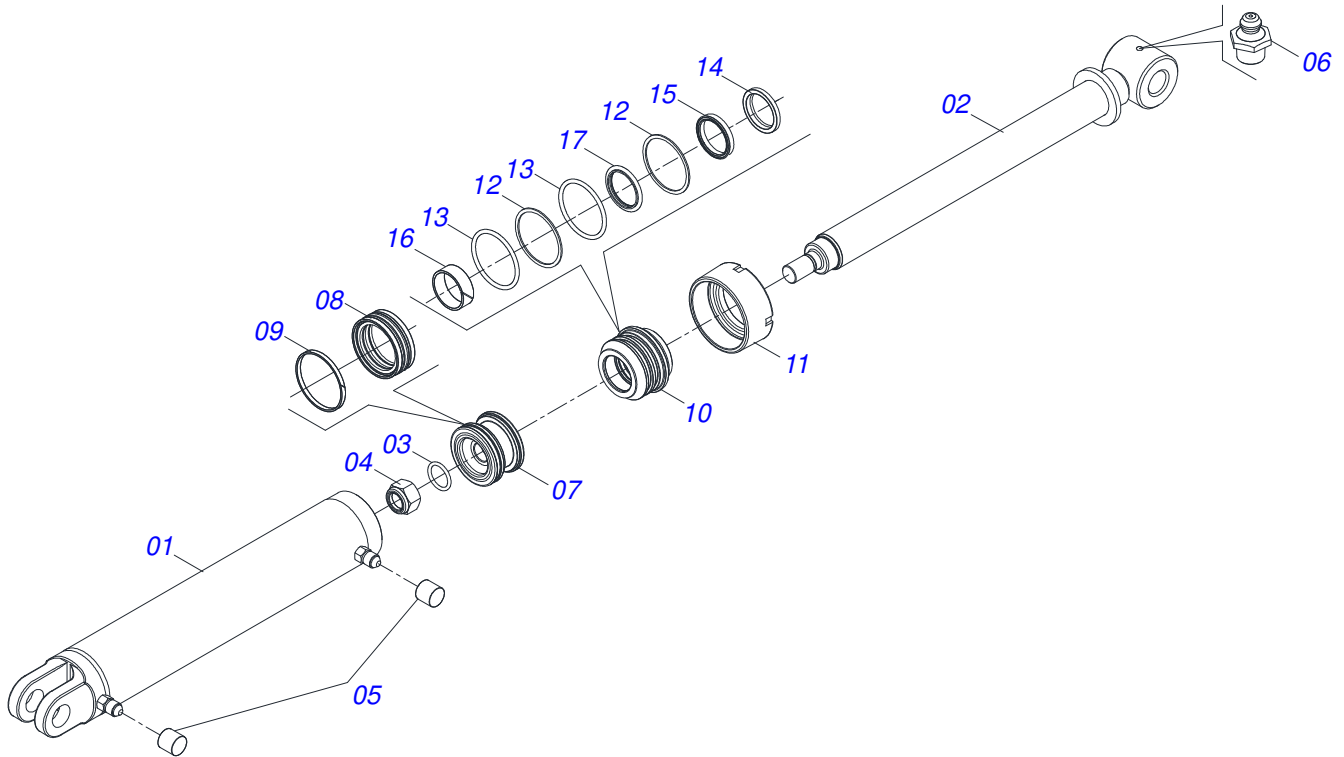
| | | | |
|------------|---------------------------------------|-------|----|
| 0909090692 | ASSY FRAME | | 1 |
| 0511058461 | HYDRAULIC CYLINDER | | 2 |
| 0521044870 | DRAWBAR ASSY | | 3 |
| 0501044359 | DRAWBAR ASSY | | 4 |
| 0521053943 | HITCH WITH ASSY ROTULA SUPPORT | | 5 |
| 0511042712 | DRAWBAR ASSY | | 6 |
| 0501053527 | HEADER WITH EAR HITCH | | 7 |
| 0503062157 | HEADER JACK | | 8 |
| 0501053834 | MALE QUICK COUPLER WITH CAP - 1/2 NPT | | 9 |
| 0511050078 | WHEEL WITH HUB | | 10 |
| 0501051142 | CARRYING WHEEL HUB | | 11 |
| 0521042072 | FRAME ASSY | | 12 |
| 0909099160 | GANG DISC - 64/68/72D | | 13 |
| 0501047055 | BEARING | | 14 |
| 0501047045 | BEARING | | 15 |
| 0503060091 | L29.5"X0.63"-10L WHEEL AND | | 16 |
| 0503060094 | WHEEL AND TIRE ASSY | | 17 |



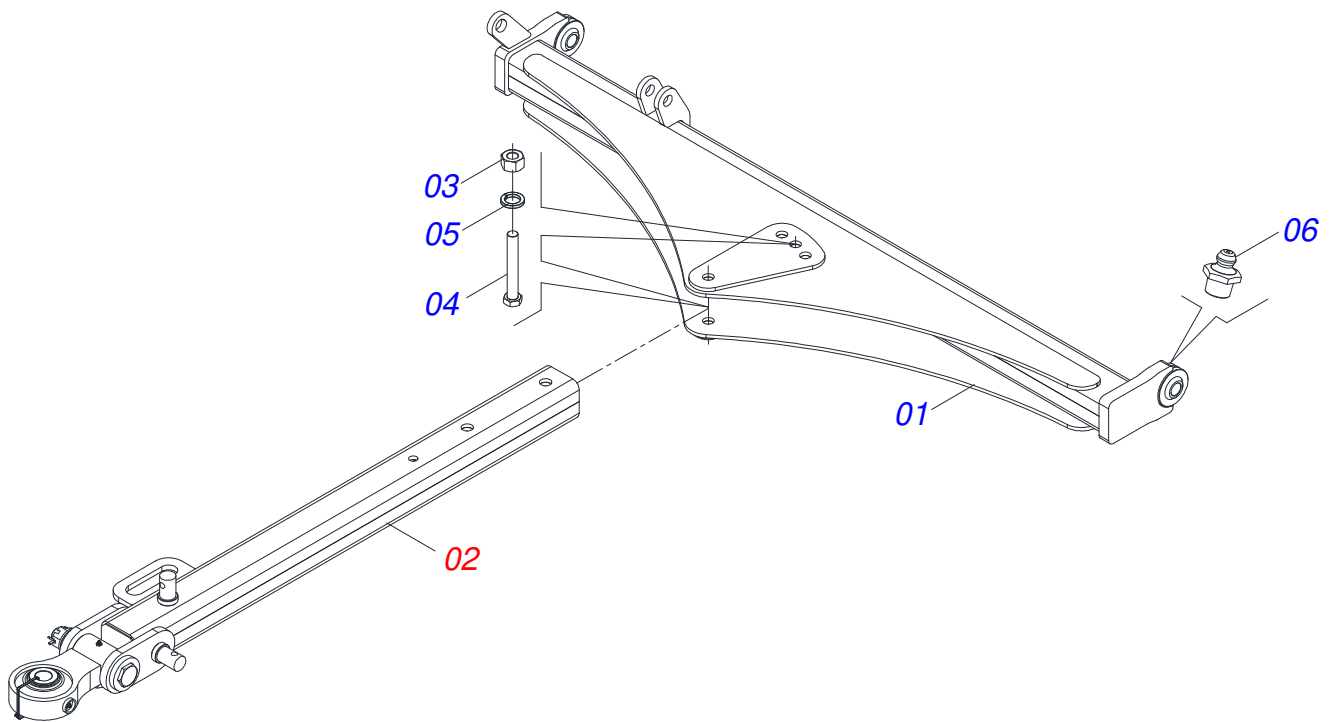
| Item | Code | Description | See page | 64 | 68 | 72 |
|------|------------|------------------------------|----------|----|----|----|
| 01 | 0521065464 | FRONT FRAME - 64D | | 01 | 00 | 00 |
| 01. | 0521065467 | FRONT FRAME - 68D | | 00 | 01 | 00 |
| 01.. | 0521065472 | FRONT FRAME - 72D | | 00 | 00 | 01 |
| 02 | 0521065462 | LEFT FRONT FRAME - 64D | | 01 | 00 | 00 |
| 02. | 0521065468 | FRONT FRAME - 68D | | 00 | 01 | 00 |
| 02.. | 0521065473 | LEFT FRONT FRAME - 72D | | 00 | 00 | 01 |
| 03 | 0501063751 | 1.5" X 5.5" PIVOT SHAFT | | 04 | 04 | 04 |
| 04 | 0501010100 | SCREW 5/8 UNC X 2 CS G.5 ZN | | 04 | 04 | 04 |
| 05 | 0501012140 | FLAT WASHER | | 04 | 04 | 04 |
| 06 | 0503010013 | 5/8" NUT | | 04 | 04 | 04 |
| 07 | 0501018941 | TRANSPORT LOCK | | 02 | 02 | 02 |
| 08 | 0521010592 | 1.1" X 3.1" COUPLING SHAFT | | 04 | 04 | 04 |
| 09 | 0503010534 | 3/8 X 2-1/2 COTTERPIN | | 02 | 02 | 02 |
| 10 | 0503010571 | 1/4" X 1.1/2 COTTERPIN | | 06 | 06 | 06 |
| 11 | 0531019497 | 1.5" X 9.2" ARTICULATED AXIS | | 04 | 04 | 04 |
| 12 | 0531019540 | FLAT WASHER | | 04 | 04 | 04 |
| 13 | 0501011301 | 1.1/2 UNC 6FPP 2.5/16 NUT | | 04 | 04 | 04 |
| 14 | 0503010010 | 1/4" X 2.1/2" COTTERPIN | | 04 | 04 | 04 |
| 15 | 0521065465 | RIGHT REAR FRAME - 64D | | 01 | 00 | 00 |
| 15. | 0521065469 | RIGHT REAR FRAME - 68D | | 00 | 01 | 00 |
| 15.. | 0521065471 | RIGHT REAR FRAME - 72D | | 00 | 00 | 01 |
| 16 | 0521065463 | LEFT REAR FRAME - 64D | | 01 | 00 | 00 |
| 16. | 0521065470 | LEFT REAR FRAME - 68D | | 00 | 01 | 00 |
| 16.. | 0521065466 | LEFT REAR FRAME - 72D | | 00 | 00 | 01 |
| 17 | 0521065407 | FRONT STABILIZER BAR | | 01 | 01 | 01 |
| 18 | 0521065406 | REAR STABILIZER BAR | | 01 | 01 | 01 |
| 19 | 0503010002 | 1800 GREASE FITTING | | 04 | 04 | 04 |
| 20 | 0511058461 | HYDRAULIC CYLINDER | 2 | 01 | 01 | 01 |
| 21 | 0501011106 | 1-1/4" X 7" SCREW | | 01 | 01 | 01 |
| 22 | 0503010070 | SPRING WASHER | | 01 | 01 | 01 |
| 23 | 0501010087 | 1.1/4" NUT | | 01 | 01 | 01 |

ASSY FRAME

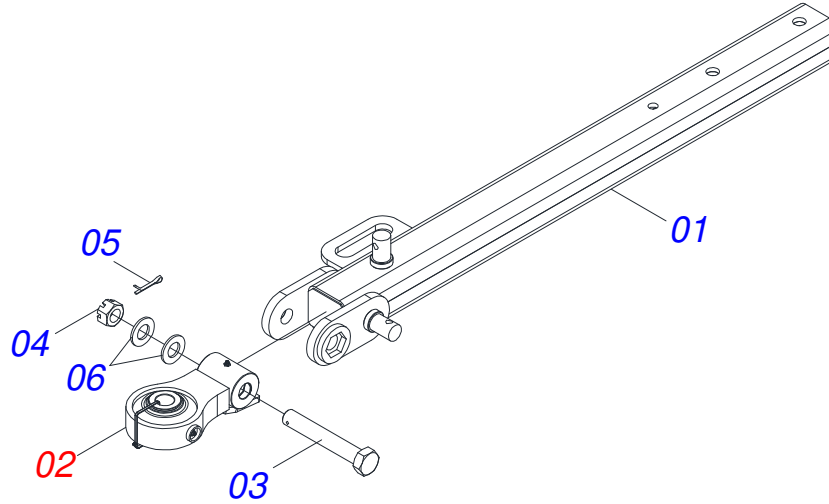
| Item | Code | Description | See page | 64 | 68 | 72 |
|------|------------|---------------------------------------|----------|----|-----|-----|
| 24 | 0521012538 | 1.2" X 3.5" COUPLING SHAFT | | 01 | 01 | 01 |
| 25 | 0503010523 | 1/4" X 2" COTTERPIN | | 01 | 01 | 01 |
| 26 | 0521044870 | DRAWBAR ASSY | 3 | 01 | 01 | 01 |
| 26. | 0511042712 | DRAWBAR ASSY | 6 | 01 | 01 | 01 |
| 26.. | 0501053527 | HEADER WITH EAR HITCH | 7 | 01 | 01 | 01 |
| 27 | 0501010426 | 1-1/4" X 6" SCREW | | 02 | 02 | 02 |
| 28 | 0503010070 | SPRING WASHER | | 02 | 02 | 02 |
| 29 | 0501010087 | 1.1/4" NUT | | 02 | 02 | 02 |
| 30 | 0501069080 | COUPLING SHAFT | | 01 | 01 | 01 |
| 31 | 0503031035 | HAIR PIN | | 01 | 01 | 01 |
| 32 | 0503062157 | HEADER JACK | 8 | 01 | 01 | 01 |
| 33 | 0521010549 | COUPLING SHAFT | | 01 | 01 | 01 |
| 34 | 0503030168 | HAIR PIN | | 01 | 01 | 01 |
| 35 | 0521064090 | COUPLING SHAFT | | 01 | 01 | 01 |
| 36 | 0503030012 | HAIR PIN | | 01 | 01 | 01 |
| 37 | 0501063963 | FRONT SCRAPER | | 24 | 26 | 28 |
| 38 | 0501063962 | REAR SCRAPER | | 24 | 26 | 28 |
| 39 | 0503011082 | C1/2" X 1.3/4" SCREW | | 96 | 104 | 108 |
| 40 | 0511017302 | FLAT WASHER | | 96 | 104 | 108 |
| 41 | 0503010019 | 1/2" SPRING WASHER | | 96 | 104 | 108 |
| 42 | 0503010060 | 1/2" NUT | | 96 | 104 | 108 |
| 43 | 0501011432 | 1-1/2" AND 1-5/8 GANG BOLT WRENCH | | 02 | 02 | 02 |
| 44 | 0501061617 | 1" GANG BOLT WRENCH | | 01 | 01 | 01 |
| 45 | 0501068273 | 5/8" WRENCH | | 01 | 01 | 01 |
| 46 | 0501047895 | ROD STOP | | 02 | 02 | 02 |
| 47 | 0501047885 | ROD STOP | | 04 | 04 | 04 |
| 48 | 0501040257 | 3/4 X 1200 HOSE HOLDER A | | 01 | 01 | 01 |
| 49 | 0501051050 | HOSE ASSY | | 01 | 01 | 01 |
| 49A | 0501080362 | 3/8" X 177" TC-TM HOSE | | 02 | 02 | 02 |
| 50 | 0501053834 | MALE QUICK COUPLER WITH CAP - 1/2 NPT | 9 | 02 | 02 | 02 |
| 51 | 0511050078 | WHEEL WITH HUB | 10 | 02 | 02 | 02 |
| 52 | 0501015875 | FLAT WASHER | | 02 | 02 | 02 |
| 53 | 0521042072 | FRAME ASSY | 12 | 01 | 01 | 01 |
| 54 | 0909099160 | GANG DISC - 64/68/72D | 13 | 01 | 01 | 01 |
| 55 | 0503060091 | L29.5"X0.63"-10L WHEEL AND | 16 | 02 | 02 | 02 |
| 55. | 0503060094 | WHEEL AND TIRE ASSY | 17 | 02 | 02 | 02 |



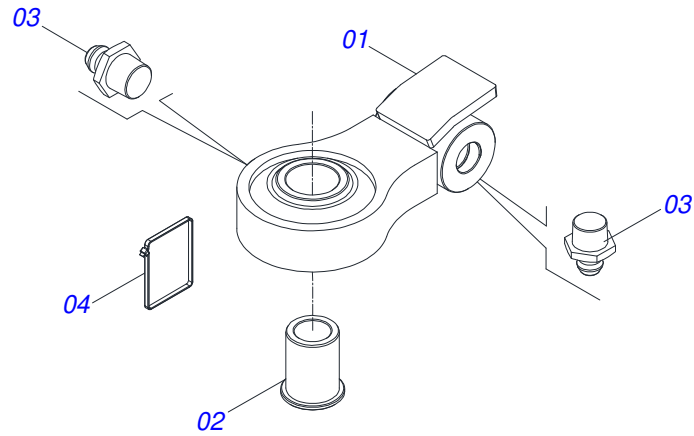
| Item | Code | Description | See page | QT |
|------|------------|-----------------------------|----------|----|
| 01 | 0521063982 | CYLINDER CASE | | 01 |
| 02 | 0521067533 | 50,80 X 697 EXTENSOR | | 01 |
| 03 | 0503010042 | 2-214 N 3006-9B O'RING | | 01 |
| 04 | 0503010063 | 1" SELF-ALIGNING NUT | | 01 |
| 05 | 0503030385 | CYLINDER PLUG N-002 | | 02 |
| 06 | 0503010002 | 1800 GREASE FITTING | | 01 |
| 07 | 0571019710 | 1.7" X 3.4" PISTON | | 01 |
| 08 | 0503017935 | RING | | 01 |
| 09 | 0503018144 | RING | | 01 |
| 10 | 0581013228 | 50,80 X 85,72 SUPPORT RINGS | | 01 |
| 11 | 0581013227 | 85,72 MOVE COVER | | 01 |
| 12 | 0503017940 | 8-337 BACK-UP RING | | 02 |
| 13 | 0503017939 | 2-337 N 3006-9B O' RING | | 02 |
| 14 | 0503010039 | D-2000 SCRAPER RING | | 01 |
| 15 | 0503018026 | 1870-2000-375 B GASKET | | 01 |
| 16 | 0503018025 | RING GUIDE | | 01 |
| 17 | 0503018024 | RING BS | | 01 |



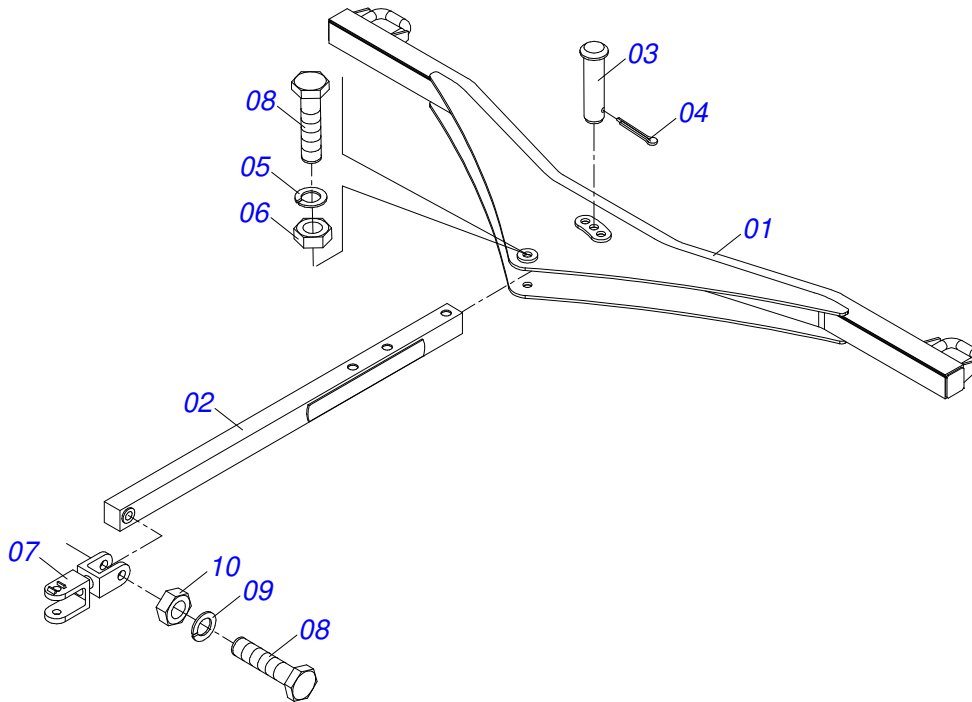
| Item | Code | Description | See page | QT |
|------|------------|---------------------|----------|----|
| 01 | 0521065405 | OFFSET BAR | | 01 |
| 02 | 0501044359 | DRAWBAR ASSY | 4 | 01 |
| 03 | 0501010059 | 1.5/8 NUT | | 02 |
| 04 | 0501010334 | 1" X 7" BOLT | | 02 |
| 05 | 0503011438 | SPRING WASHER | | 02 |
| 06 | 0503010002 | 1800 GREASE FITTING | | 02 |



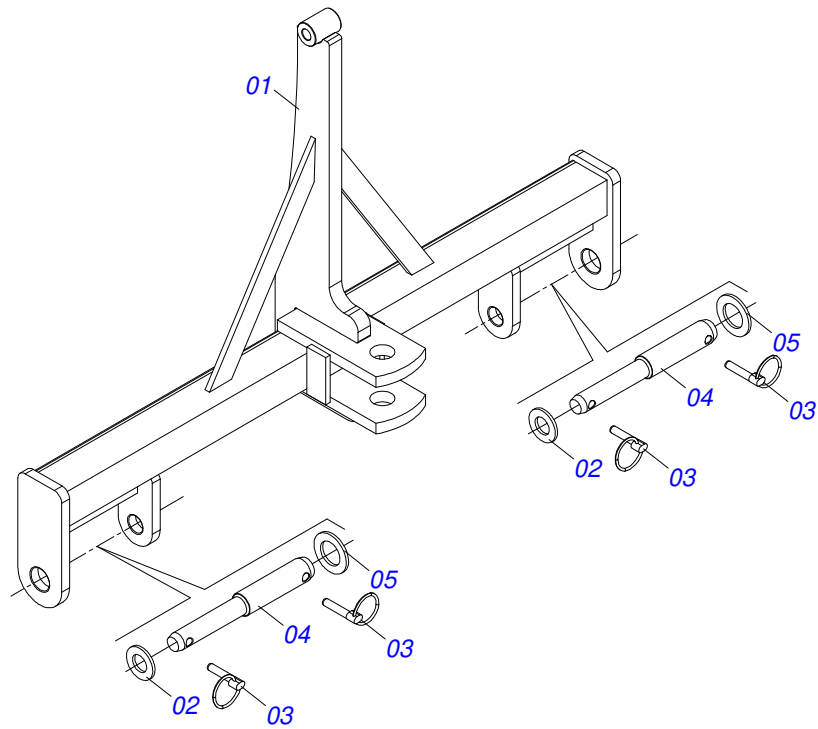
| Item | Code | Description | See page | QT |
|------|------------|--------------------------------|----------|----|
| 01 | 0501066715 | DRAWBAR ASSY | | 01 |
| 02 | 0521053943 | HITCH WITH ASSY ROTULA SUPPORT | 5 | 01 |
| 03 | 0501017291 | 1-1/2" X 8.1" BOLT | | 01 |
| 04 | 0501011301 | 1.1/2 UNC 6FPP 2.5/16 NUT | | 01 |
| 05 | 0503010010 | 1/4" X 2.1/2" COTTERPIN | | 01 |
| 06 | 0501017779 | 32 X 60 X 4.75 FLAT WASHER | | 02 |



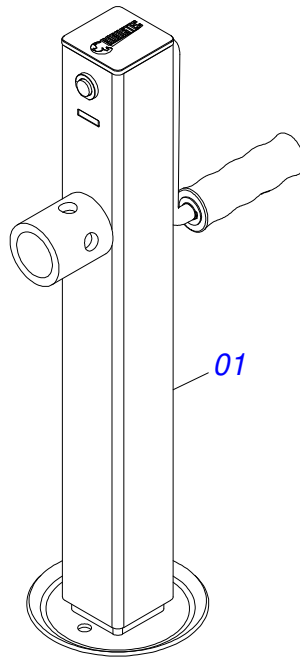
| Item | Code | Description | See page | QT |
|------|------------|--------------------------------|----------|----|
| 01 | 0521069166 | HITCH | | 01 |
| 02 | 0581018413 | SLEEVE | | 01 |
| 03 | 0503010002 | 1800 GREASE FITTING | | 02 |
| 04 | 0503016033 | 4.8 X 1.3 X 300 MM NYLON CLAMP | | 01 |



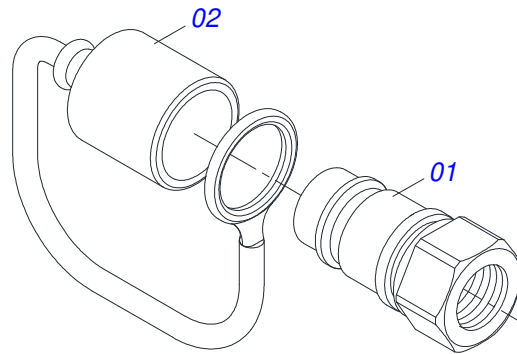
| Item | Code | Description | See page | QT |
|------|------------|----------------------------|----------|----|
| 01 | 0511064555 | OFFSET BAR | | 01 |
| 02 | 0501060188 | DRAWBAR ASSY | | 01 |
| 03 | 0521010585 | 0.9" X 5.9" COUPLING SHAFT | | 01 |
| 04 | 0503010523 | 1/4" X 2" COTTERPIN | | 02 |
| 05 | 0503011438 | SPRING WASHER | | 02 |
| 06 | 0501010059 | 1.5/8 NUT | | 02 |
| 07 | 0521061775 | TRACTOR HITCH | | 01 |
| 08 | 0501010060 | 1" X 6-1/2" BOLT | | 02 |



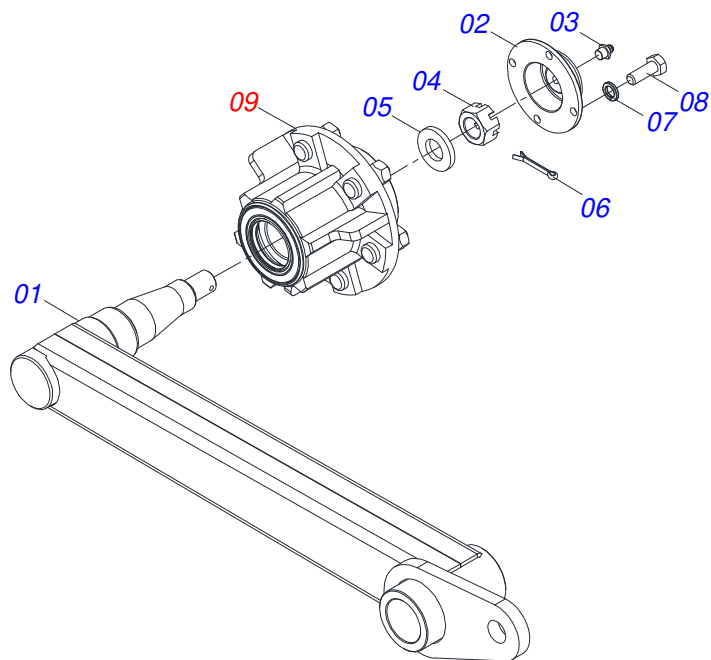
| Item | Code | Description | See page | QT |
|------|------------|----------------------------------|----------|----|
| 01 | 0511062944 | DRAWBAR | | 01 |
| 02 | 0501012916 | FLAT WASHER 38,50 X 66 X 4,75 ZN | | 02 |
| 03 | 0503030430 | 7/16 X 2" PIN LOCK | | 04 |
| 04 | 0541015542 | 1.1/8" HITCH AXLE | | 02 |
| 05 | 0511017480 | FLAT WASHER | | 02 |



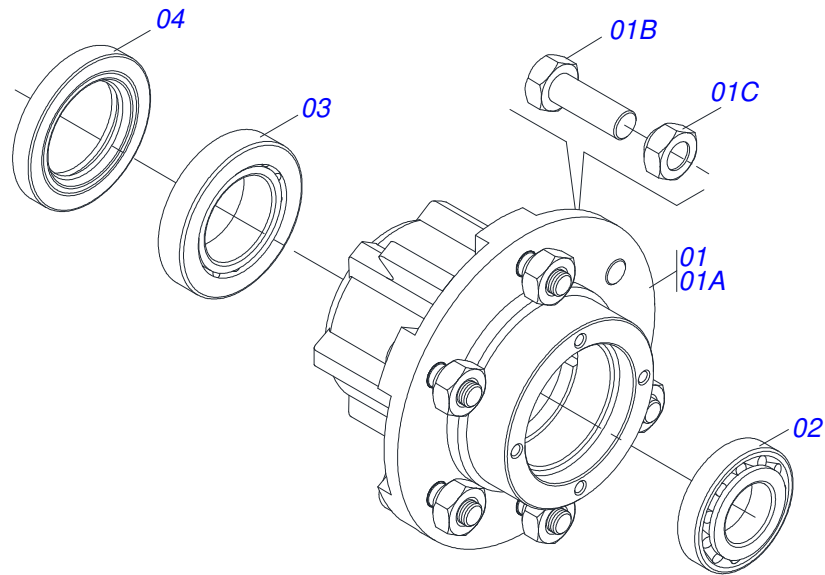
| Item | Code | Description | See page | QT |
|------|------------|-------------|----------|----|
| 01 | 0503062157 | HEADER JACK | 8 | 01 |



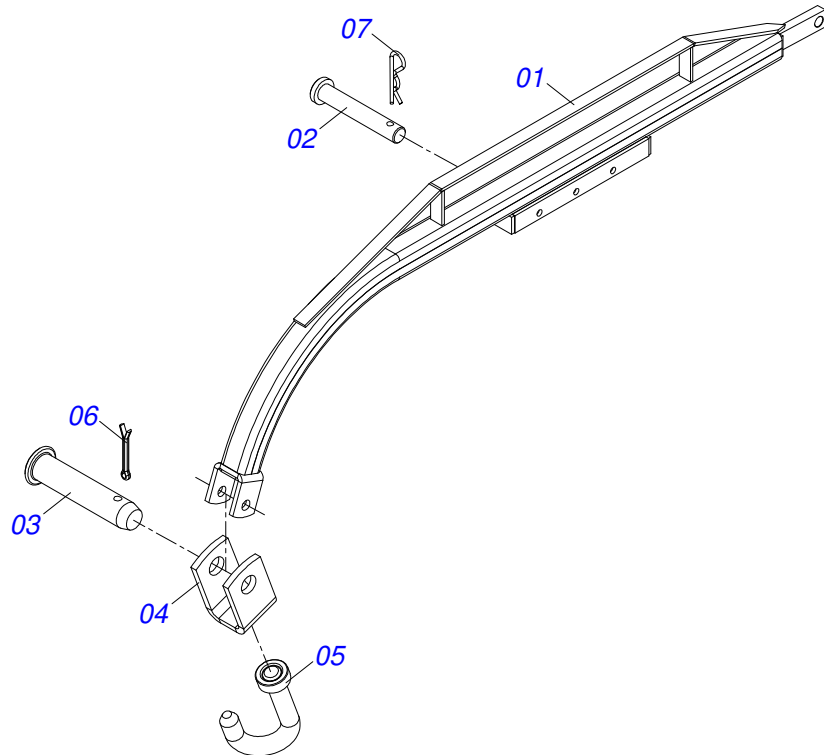
| Item | Code | Description | See page | QT |
|------|------------|--------------------------------|----------|----|
| 01 | 0503011627 | MALE QUICK COUPLER AGR 1/2 NPT | | 01 |
| 02 | 0503011882 | MALE QUICK COUPLER CAP | | 01 |



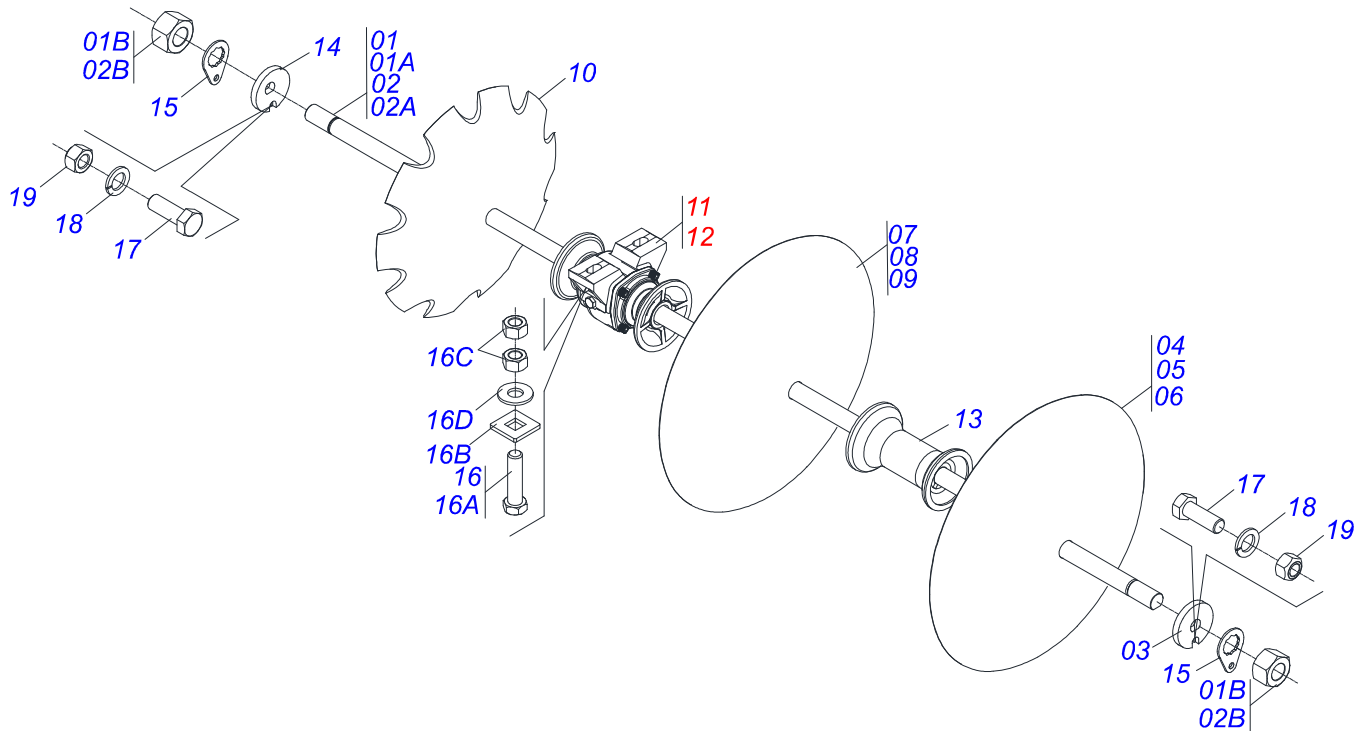
| Item | Code | Description | See page | QT |
|------|------------|------------------------|----------|----|
| 01 | 0521061622 | WHEEL SUPPORT | | 01 |
| 02 | 0502020591 | PROTECCION COVER | | 01 |
| 03 | 0503010002 | 1800 GREASE FITTING | | 01 |
| 04 | 0503030009 | 1" CASTLE NUT | | 01 |
| 05 | 0501016545 | FLAT WASHER | | 01 |
| 06 | 0503010018 | 5/32 X 1-1/2 COTTERPIN | | 01 |
| 07 | 0503011444 | SPRING WASHER | | 04 |
| 08 | 0503010358 | 5/16" X 5/8" BOLT | | 04 |
| 09 | 0501051142 | CARRYING WHEEL HUB | 11 | 01 |



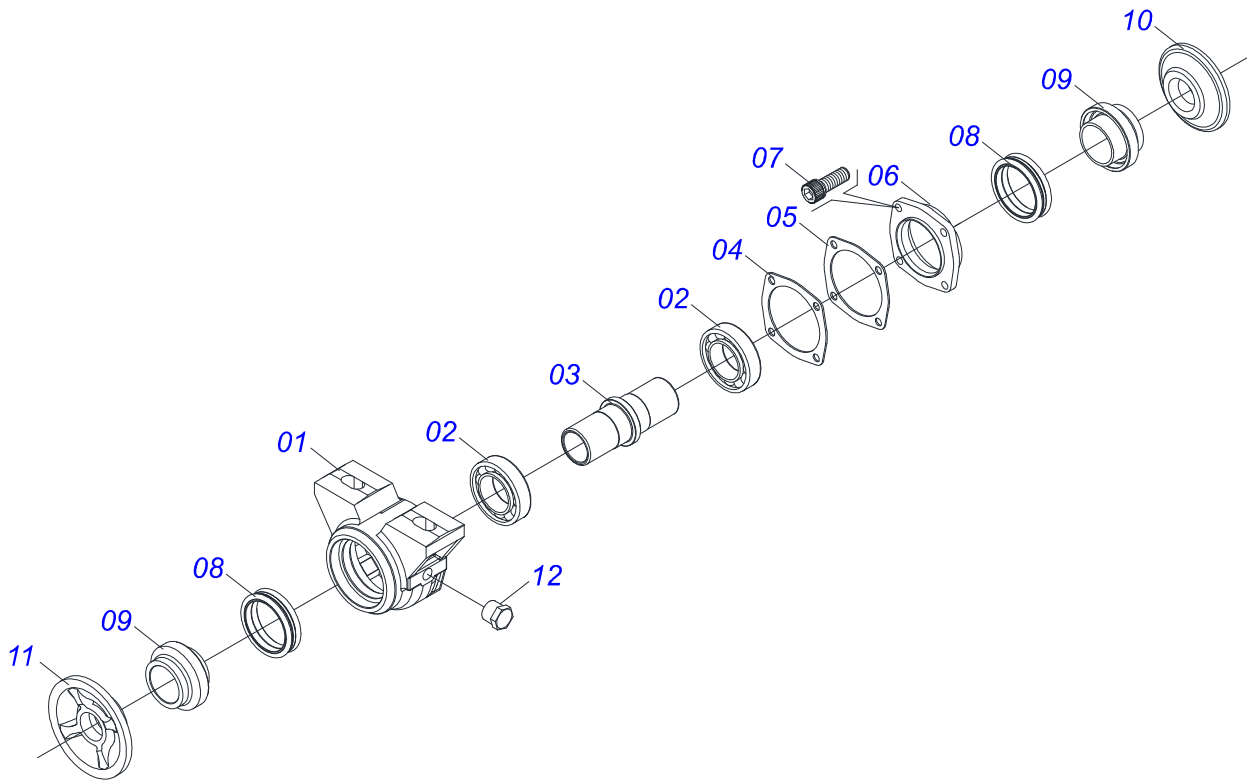
| Item | Code | Description | See page | QT |
|------|------------|-------------------------|----------|----|
| 01 | 0501110728 | WHEEL HUB | | 01 |
| 01A | 0502011121 | CARRYING WHEEL HUB | | 01 |
| 01B | 0501010127 | 9/16" X 1-7/8" LUG BOLT | | 06 |
| 01C | 0503010035 | 9/16" CONIC NUT | | 06 |
| 02 | 0503010037 | 30207 ROLLER BEARING | | 01 |
| 03 | 0503010006 | 32210 ROLLER BEARING | | 01 |
| 04 | 0503012928 | SEAL | | 01 |



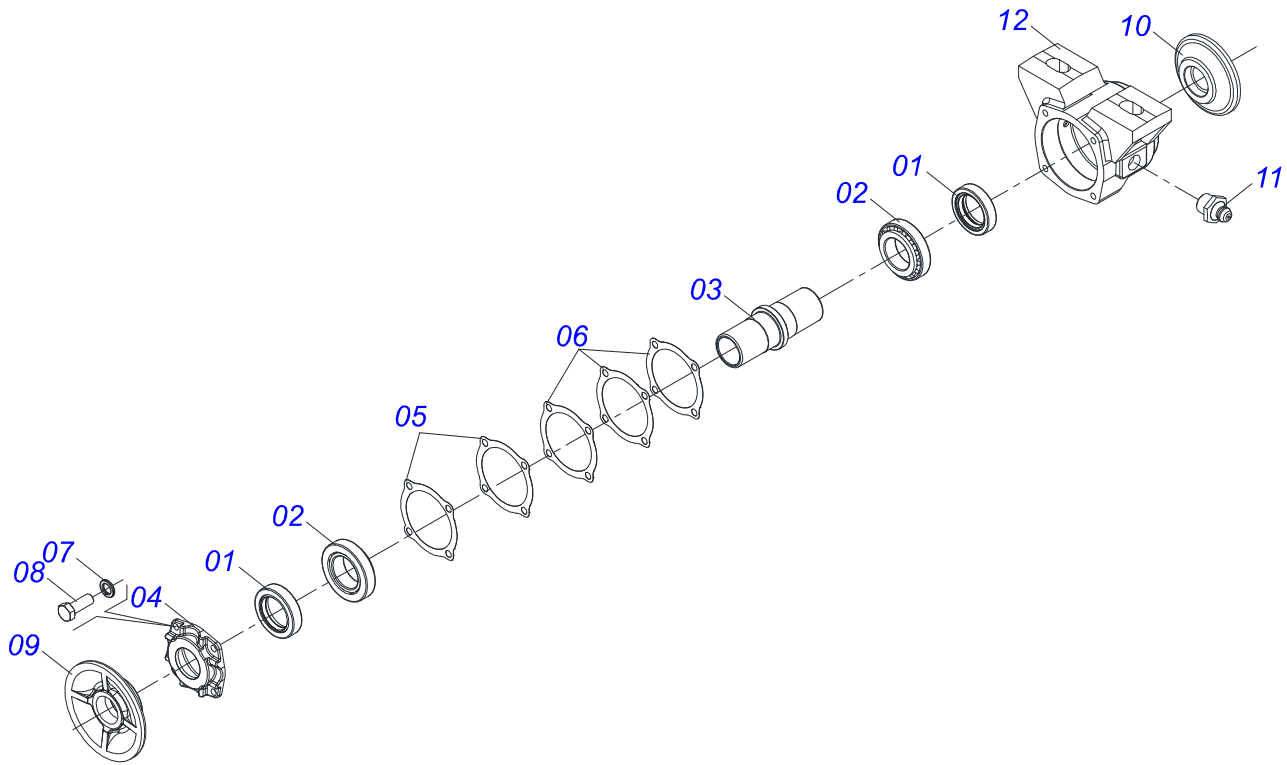
| Item | Code | Description | See page | QT |
|------|------------|------------------------|----------|----|
| 01 | 0501062595 | FRAME GAT 800 | | 01 |
| 02 | 0501011388 | COUPLING SHAFT | | 01 |
| 03 | 0521010579 | COUPLING SHAFT | | 01 |
| 04 | 0511016686 | U HOOK | | 01 |
| 05 | 0501067537 | 25,4 X 100 HOOK | | 01 |
| 06 | 0503010018 | 5/32 X 1-1/2 COTTERPIN | | 01 |
| 07 | 0503030168 | HAIR PIN | | 01 |



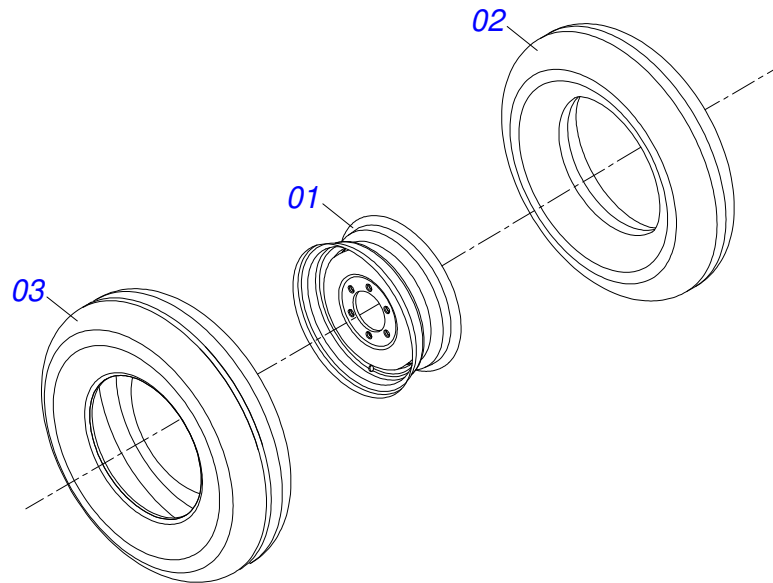
| Item | Code | Description | See page | 64 | 68 | 72 |
|------|------------|-------------------------------------|----------|----|----|----|
| 01 | 0501043697 | 1.1/2" X 1505 AXLE ASSY | | 08 | 04 | 00 |
| 01A | 0511012601 | 1.1/2" X 1505 AXLE | | 01 | 01 | 01 |
| 01B | 0501010110 | 1.1/2" NUT | | 02 | 02 | 02 |
| 02 | 0501046884 | 1.1/2 X 1705 AXLE W/NUT | | 00 | 04 | 08 |
| 02A | 0501018720 | 1.1/2 X 1705 AXLE | | 01 | 01 | 01 |
| 02B | 0501010110 | 1.1/2" NUT | | 02 | 02 | 02 |
| 03 | 0502010871 | 1-1/2" EXTERNAL AXLE WASHER | | 08 | 08 | 08 |
| 04 | 0602029416 | DR22X4,5 C64AF02FR1.9/16 10REC TATU | | 00 | 00 | 36 |
| 04. | 0602029422 | DR22X3,5 C64AF02FR1.9/16 10R TATU | | 32 | 34 | 36 |
| 05 | 0601029413 | DL22X4,5 C64AF02FR1.9/16 TATU | | 00 | 00 | 34 |
| 05. | 0601029419 | DL22X3,5 C64AF02FR1.9/16 TATU | | 30 | 32 | 00 |
| 06 | 0601027299 | DL20X4,5 C57AF02FR1.9/16 TATU | | 00 | 00 | 02 |
| 07 | 0601027302 | DL20X3,5 C57AF02FR1.9/16 TATU | | 30 | 02 | 00 |
| 08 | 0601025033 | DL18X3,5 C45AF02FR1.9/16" | | 02 | 02 | 00 |
| 09 | 0601029407 | | | 00 | 00 | 34 |
| 10 | 0602027341 | DR20X3,5 C57AF02FR1.9/16 10R TATU | | 32 | 34 | 00 |
| 11 | 0501047055 | BEARING | 14 | 16 | 16 | 00 |
| 12 | 0501047045 | BEARING | 15 | 00 | 00 | 16 |
| 13 | 0502010549 | 7.6" X 1-1/4" SPACER | | 40 | 44 | 48 |
| 14 | 0502010872 | 1-1/2" INNER AXLE WASHER | | 08 | 08 | 08 |
| 15 | 0501018592 | 1.5/8" NUT LOCK | | 16 | 16 | 16 |
| 16 | 0501058802 | 5/8 UNC X 2.3/4 BOLT ASSY | | 08 | 08 | 08 |
| 16A | 0503015154 | 5/8" X 2.3/4" BOLT | | 08 | 08 | 08 |
| 16B | 0501010947 | 5/8 NUT LOCK | | 08 | 08 | 08 |
| 16C | 0503010013 | 5/8" NUT | | 02 | 02 | 02 |
| 16D | 0501012140 | FLAT WASHER | | 01 | 01 | 01 |
| 17 | 0503010395 | 1/2" X 1-1/4" BOLT | | 08 | 08 | 08 |
| 18 | 0503010019 | 1/2" SPRING WASHER | | 08 | 08 | 08 |
| 19 | 0503010060 | 1/2" NUT | | 08 | 08 | 08 |



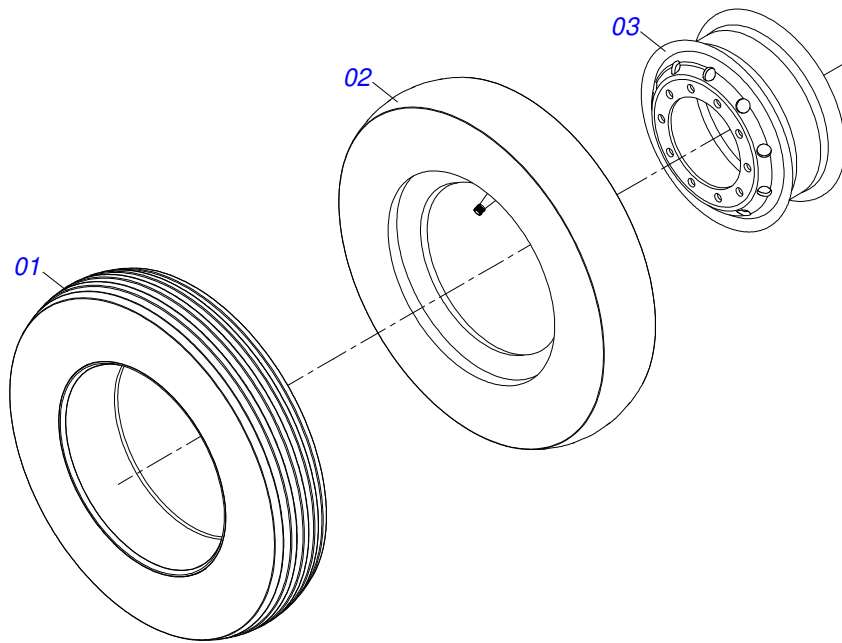
| Item | Code | Description | See page | QT |
|------|------------|----------------------------|----------|----|
| 01 | 0502010540 | HOUSING DM | | 01 |
| 02 | 0503010006 | 32210 ROLLER BEARING | | 02 |
| 03 | 0502040061 | AXLE | | 01 |
| 04 | 0503030013 | 4.4" X 3.5" X 0.004" JOINT | | 03 |
| 05 | 0503030684 | 4.4" X 3.5" X 0.004" JOINT | | 02 |
| 06 | 0502020424 | HOUSING CAP | | 01 |
| 07 | 0503010134 | 3/8" X 1" BOLT | | 04 |
| 08 | 0503030026 | SEAL LP JB-253 | | 02 |
| 09 | 0502010541 | SEAL RETAINER | | 02 |
| 10 | 0502010604 | OUTER FLANGE | | 01 |
| 11 | 0502010605 | INNER FLANGE | | 01 |
| 12 | 0503010856 | OIL PLUG | | 02 |



| Item | Code | Description | See page | QT |
|------|------------|-----------------------------|----------|----|
| 01 | 0503010468 | SEAL 01199-GB | | 01 |
| 02 | 0503010006 | 32210 ROLLER BEARING | | 02 |
| 03 | 0502040061 | AXLE | | 01 |
| 04 | 0502020273 | HOUSING CAP CM | | 01 |
| 05 | 0503030684 | 4.4" X 3.5" X 0.004" JOINT | | 02 |
| 06 | 0503030013 | 4.4" X 3.5" X 0.004" JOINT | | 03 |
| 07 | 0503011443 | 3/8" SPRING WASHER | | 04 |
| 08 | 0503810237 | 3/8 UNC X 1 C S G.5 SA BOLT | | 04 |
| 09 | 0502010604 | OUTER FLANGE | | 01 |
| 10 | 0502010605 | INNER FLANGE | | 01 |
| 11 | 0503010002 | 1800 GREASE FITTING | | 02 |
| 12 | 0502020313 | HOUSING CM | | 01 |



| Item | Code | Description | See page | QT |
|------|------------|----------------------|----------|----|
| 01 | 0503010893 | WHEEL | | 01 |
| 02 | 0503010033 | 7.50 X 16 INNER TIRE | | 01 |
| 03 | 0503010120 | CANVAS TIRE | | 01 |



| Item | Code | Description | See page | QT |
|------|------------|--------------------------------|----------|----|
| 01 | 0503010065 | CANVAS TIRE | | 01 |
| 02 | 0503010068 | 6.00 X 16 INNER TIRE | | 01 |
| 03 | 0503010894 | 0.2"X0.6"X4.6"X6F0.6"X6" WHEEL | | 01 |



civemasa

Technical Publications | Elaboration and Revision
JOSÉ DOMINGOS GASPARI

www.civemasa.com.br

