

DISK HARROWS

GVP HYDRAULIC - 24D

Code: 0501091121
Series: S-0613
Revision: 00
Revision Date: OUTUBRO/2014

PARTS CATALOGUE


CIVEMASA

PRODUCTS

| Code | Description |
|-------------|-------------------------------------|
| 0120010034 | GVP 24 HID 36X12,0DR 6450803 S-0613 |

ATTENTION: IMPORTANT

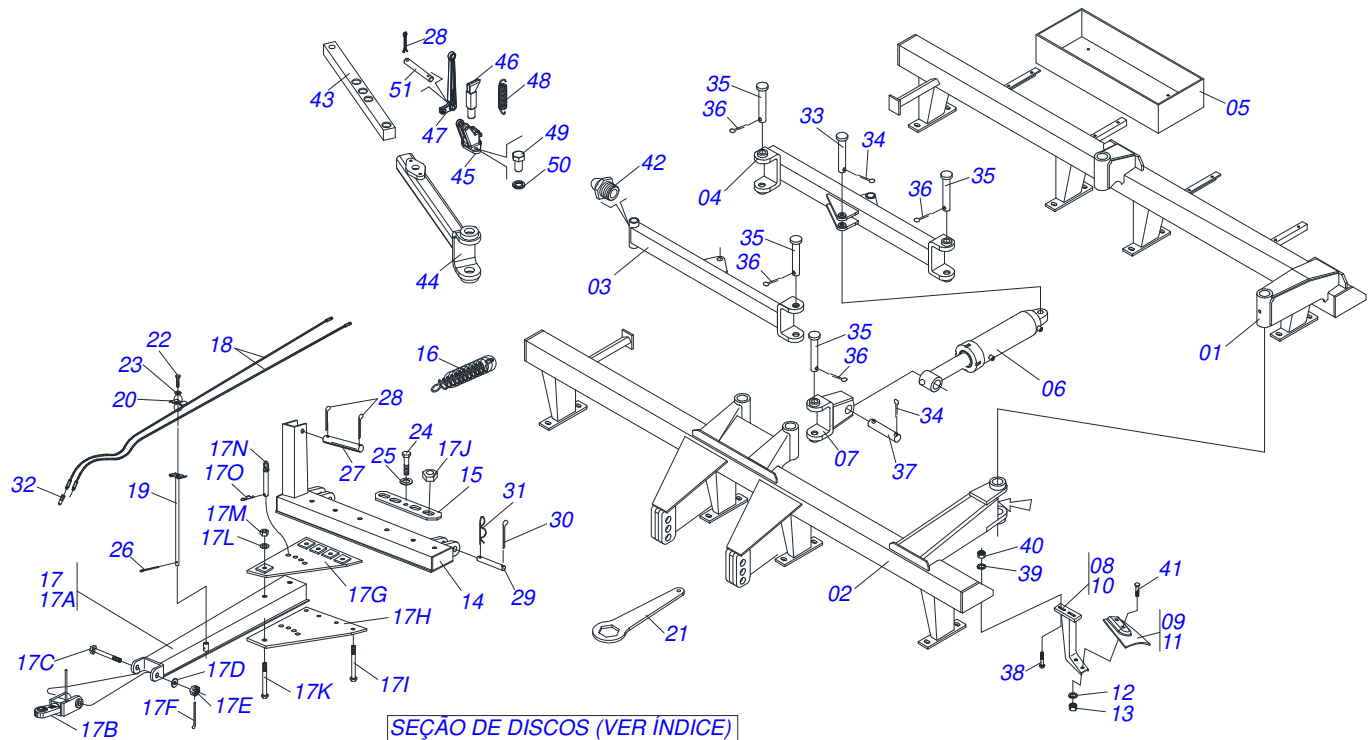
CIVEMASA reserves the right to improve and/or modify the technical features of its products, without obligation to do the same with those products already sold and without prior knowledge of the dealer or the consumer. The photos are only illustrative.





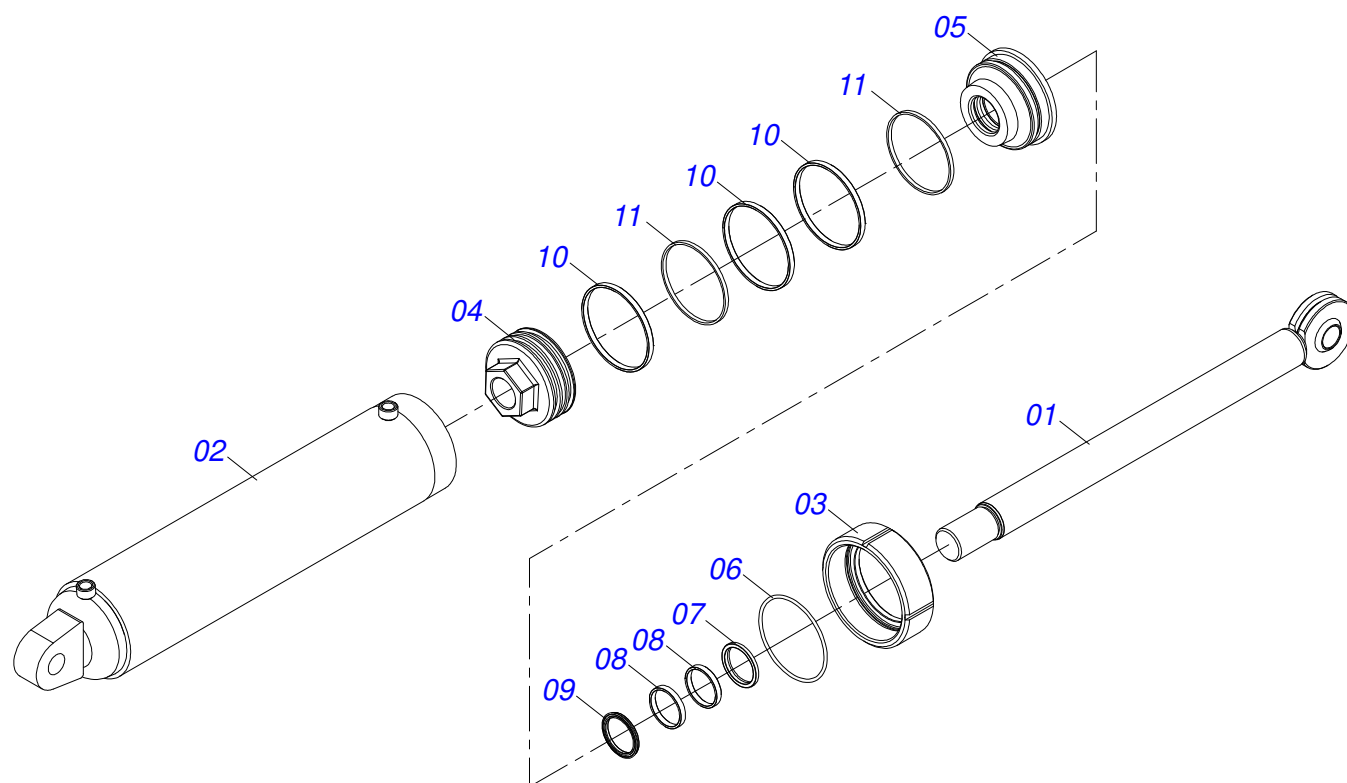
INDEX

| | | | |
|------------|----------------------------|-------|---|
| 0909093553 | FRAME ASSY | | 1 |
| 0501048683 | HIDRAULIC CYLINDER | | 2 |
| 0909094427 | GANG DISCS GVP 10-20-22-24 | | 3 |
| 0501048621 | OIL BEARING | | 4 |

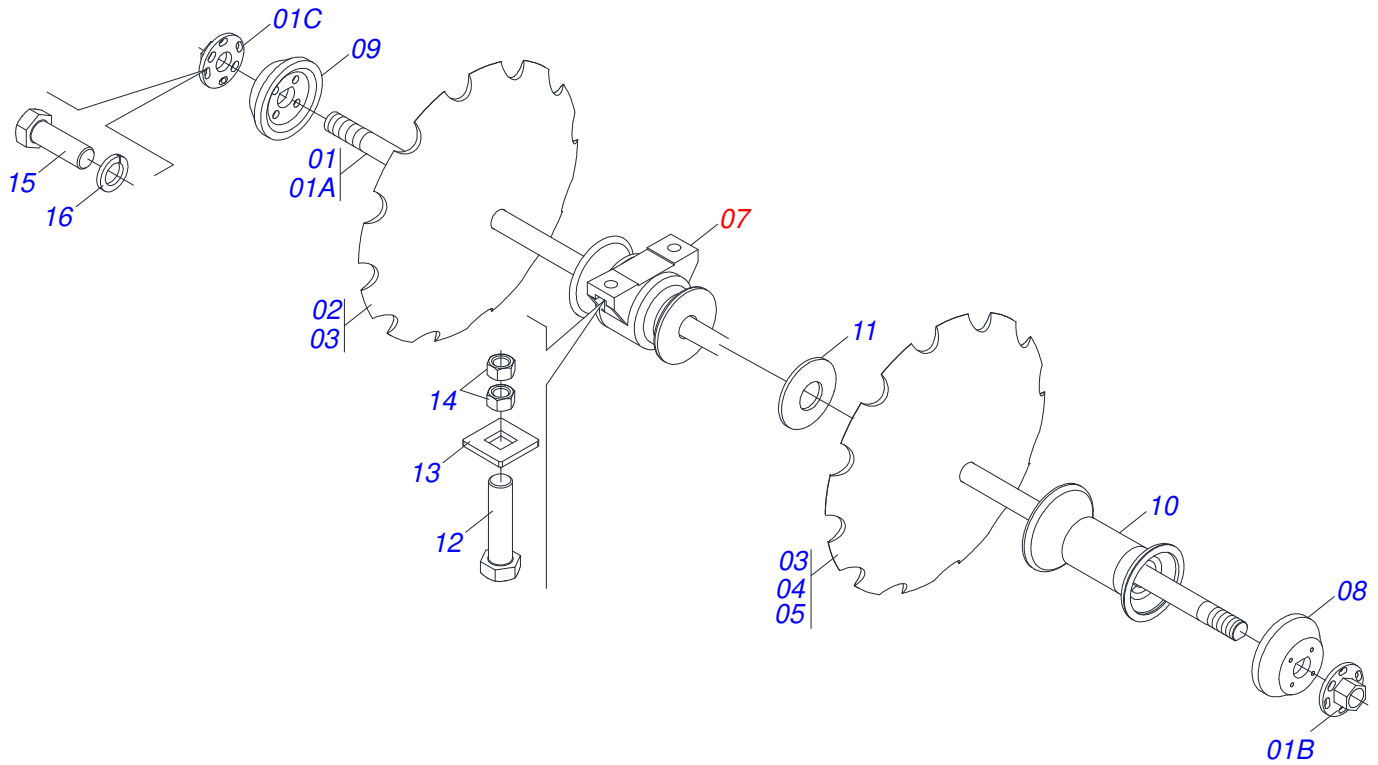


| Item | Code | Description | See page | 24 |
|------|------------|----------------------------------|----------|----|
| 01 | 0511064972 | REAR FRAME | | 01 |
| 02 | 0521060309 | FRONT FRAME | | 01 |
| 03 | 0511060168 | PIVOT ARM | | 01 |
| 04 | 0511060384 | ARM (GNV) | | 01 |
| 05 | 0511060170 | WEIGHT BOX | | 01 |
| 06 | 0501048683 | HIDRAULIC CYLINDER | 2 | 01 |
| 07 | 0511060380 | SUPPORT | | 01 |
| 08 | 0511060304 | SUPPORT | | 12 |
| 09 | 0521013678 | FRONT CLEANER | | 12 |
| 10 | 0511060305 | REAR CLEANER SUPPORT | | 12 |
| 11 | 0521013679 | REAR CLEANER | | 12 |
| 12 | 0503010027 | 5/8" SPRING WASHER | | 48 |
| 13 | 0503010013 | 5/8" NUT | | 48 |
| 14 | 0511061128 | DRAWBAR ASSY | | 01 |
| 15 | 0521013774 | GVMF LOCK | | 01 |
| 16 | 0503031511 | SPRING | | 01 |
| 17 | 0511050196 | AXLE ASSY | | 01 |
| 17A | 0511060149 | AXLE SET | | 01 |
| 17B | 0521013739 | BOLT HARNESS | | 01 |
| 17C | 0501012916 | FLAT WASHER 38,50 X 66 X 4,75 ZN | | 01 |
| 17D | 0503013025 | 3/16" X 3" COTTERPIN | | 01 |
| 17E | 0511060171 | PLATE HITCH | | 01 |
| 17F | 0511060172 | PLATE HITCH | | 01 |
| 17G | 0503012244 | 1-1/4" X 7-3/4" BOLT | | 04 |
| 17H | 0503012181 | 1.1/4" NUT | | 04 |
| 17I | 0503012258 | 1-1/2" X 9" BOLT | | 01 |
| 17J | 0503013627 | 1.1/2 SPRING WASHER | | 01 |
| 17K | 0503012259 | UNC1.1/2" ZIN 1K03155 NUT | | 01 |
| 17L | 0503031479 | STAPLE | | 01 |
| 17M | 0502011592 | CASTLE NUT | | 01 |
| 17N | 0511060149 | AXLE SET | | 01 |

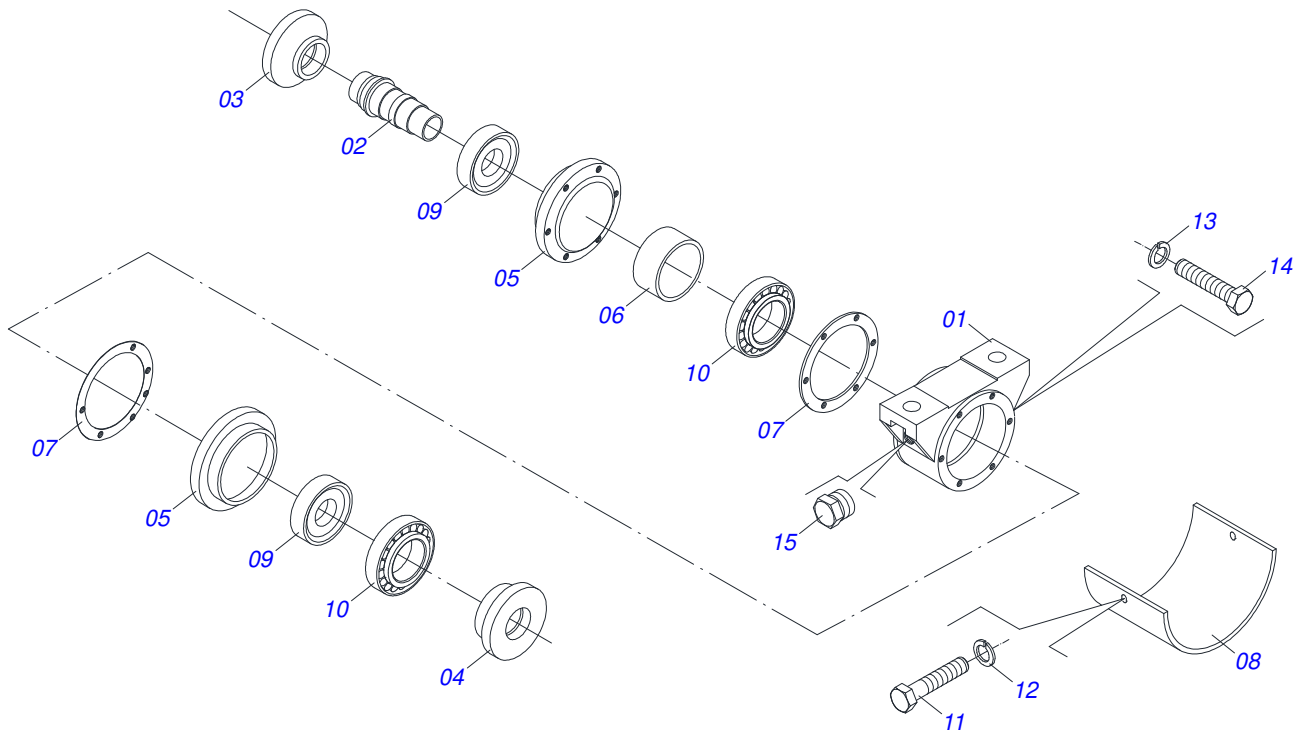
| Item | Code | Description | See page | 24 |
|-------------|-------------|---------------------------------|-----------------|-----------|
| 17O | 0511060146 | PIN FIXER | | 01 |
| 18 | 0501080802 | 3/8 X 6200 TM-TM HOSE | | 02 |
| 19 | 0511060205 | SUPPORT HOSE CNS 20104N | | 02 |
| 20 | 0502012702 | BODY SUPPORT CLAMP | | 02 |
| 21 | 0521013902 | WRENCH NUT | | 02 |
| 22 | 0503012555 | SCREW 7/16 UNC X 2 CS RT G.7 ZN | | 02 |
| 23 | 0503010180 | 7/16" SPRING WASHER | | 02 |
| 24 | 0501010108 | 5/8" X 1" BOLT | | 01 |
| 25 | 0501012140 | FLAT WASHER | | 01 |
| 26 | 0503012215 | 5/16" X 2-1/2" COTTERPIN | | 01 |
| 27 | 0521014140 | PIN SEM HEAD PN-060 3090606 ZN | | 01 |
| 28 | 0503010362 | 1/8" X 1.1/4" COTTERPIN | | 02 |
| 29 | 0521013704 | PIN FREE HEAR | | 02 |
| 30 | 0503010010 | 1/4" X 2.1/2" COTTERPIN | | 04 |
| 31 | 0503031479 | STAPLE | | 02 |
| 32 | 0501053834 | MALE QUICK COUPLER | | 02 |
| 33 | 0501013742 | PIN | | 01 |
| 34 | 0503012233 | 3/16" X 2-1/2" COTTER PIN | | 03 |
| 35 | 0511060145 | PIN | | 05 |
| 36 | 0503010074 | 3/8 X 0,15" COTTERPIN | | 05 |
| 37 | 0521014915 | PIN SEM HEAD PN-090 3090909 | | 01 |
| 38 | 0503012180 | FRENCH 3/4" X 2 BOLT | | 48 |
| 39 | 0503010023 | 3/4" SPRING WASHER | | 48 |
| 40 | 0503012183 | SNC 3/4" ZIN 1K03097 NUT | | 48 |
| 41 | 0503012195 | 5/8" NUT | | 48 |
| 42 | 0503010002 | 1800 GREASE FITTING | | 05 |
| 43 | 0521017194 | EXTENSOR | | 01 |
| 44 | 0511061548 | BAR REGULAGEM | | 01 |
| 45 | 0502011812 | PINE GUIDE | | 01 |
| 46 | 0502011808 | TRAILER PIN | | 01 |
| 47 | 0502011807 | ROPE ARM | | 01 |
| 48 | 0503031545 | SPRING | | 01 |
| 49 | 0501010161 | 1/2" X 1.1/4" BOLT | | 04 |
| 50 | 0511017302 | FLAT WASHER | | 04 |
| 51 | 0521014889 | PINE WITHOUT HEAD | | 01 |



| Item | Code | Description | See page | QT |
|------|------------|----------------------------------|----------|----|
| 01 | 0511060147 | ROD ASSY | | 01 |
| 02 | 0511060148 | ASSY CASE | | 01 |
| 03 | 0541010615 | MOVABLE COVER | | 01 |
| 04 | 0502011586 | PISTON | | 01 |
| 05 | 0502011799 | TURNBUCLE GUIDE | | 01 |
| 06 | 0503010704 | 2-357 N 3006-9B O'RING | | 01 |
| 07 | 0503010287 | D-2500 SCRAPER RING | | 01 |
| 08 | 0503012497 | RING (TEFLON) | | 02 |
| 09 | 0503012501 | MOLYTHANE PACKING 2500-2500 | | 01 |
| 10 | 0503012825 | RING (TEFLON) CH 61100 | | 03 |
| 11 | 0503012791 | RUBBER RING | | 02 |
| 12 | 0511034337 | CYLINDER REPAIR KIT (0501048683) | | 01 |



| Item | Code | Description | See page | 24 |
|------|------------|---------------------------------|----------|----|
| 01 | 0511050284 | DISC AXLE WHIT NUT | | 04 |
| 01A | 0521013939 | DISC AXLE | | 04 |
| 01B | 0502011659 | GVP 50612AD 3452378 AXLE NUT | | 08 |
| 01C | 0502011660 | GVP 50612AE 3452387 AXLE NUT | | 08 |
| 02 | 0602044033 | 32 X 9MM NOTCHED DISC | | 24 |
| 03 | 0602046001 | 34" X 0.3" NOTCHED DISC BLADE | | 24 |
| 04 | 0602044004 | 32" X 0.5" NOTCHED DISC BLADE | | 24 |
| 05 | 0602046002 | 34" X 0.5" NOTCHED DISC BLADE | | 24 |
| 06 | 0602048062 | 36 X 12MM NOTCHED DISC | | 24 |
| 07 | 0501048621 | OIL BEARING | 4 | 08 |
| 08 | 0502011669 | OUTER FLANGE | | 04 |
| 09 | 0502011670 | INNER FLANGE | | 04 |
| 10 | 0502011664 | SPACER | | 12 |
| 11 | 0521013900 | CHOCK GVP 50150 | | 08 |
| 12 | 0503012564 | 1-1/4" X 5-1/4" BOLT | | 16 |
| 13 | 0521013901 | WASHER | | 32 |
| 14 | 0503012181 | 1.1/4" NUT | | 32 |
| 15 | 0503011267 | BOLT 5/8 UNC X 1.1/2 C S G.5 ZN | | 08 |
| 16 | 0503010027 | 5/8" SPRING WASHER | | 08 |



| Item | Code | Description | See page | QT |
|------|------------|------------------------------|----------|----|
| 01 | 0502011811 | MR-451 3503106 BODY | 01 | 01 |
| 02 | 0502011704 | CENTER DEARIN | 01 | 01 |
| 03 | 0502011701 | WASHER CONCAVE | 01 | 01 |
| 04 | 0502011702 | WASHER CONVEX | 01 | 01 |
| 05 | 0502011677 | BEARING COVER | 02 | 02 |
| 06 | 0502011693 | SPACER | 01 | 01 |
| 07 | 0503031499 | JOINT BEARIN | 02 | 02 |
| 08 | 0521014353 | PLATE PROTECTION | 01 | 01 |
| 09 | 0503012484 | RETAINER | 02 | 02 |
| 10 | 0503012709 | 6222 C3 ROLLER BEARING | 02 | 02 |
| 11 | 0503011334 | BOLT 3/8 UNC X 3/4 CS G.5 ZN | 02 | 02 |
| 12 | 0503010025 | 3/8" SPRING WASHER | 02 | 02 |
| 13 | 0503010019 | 1/2" SPRING WASHER | 12 | 12 |
| 14 | 0503010920 | 1/2" X 1.1/2" BOLT | 12 | 12 |
| 15 | 0503031604 | 1/2" BSP PLUG | 01 | 01 |



civemasa

Technical Publications | Elaboration and Revision
ALESSANDRA PATRICIA KAWAHARA CARRILI

www.civemasa.com.br

