

**DISK HARROWS**

**GNCF-E ESP 230 - 44/48/56/60D**

**Code:** 0501091083

**Series:** S-0913

**Revision:** 00

**Revision Date:** JULHO/2014

**PARTS  
CATALOGUE**

***CIVEMASA***




# PRODUCTS

Code	Description
0120110158	GNC F E ESP-230 44X24X4,75REC S-0913
0120110157	GNC F E ESP-230 44X24X6,0 MT S-0913
0120110147	GNC F E ESP-230 44X24X6,0 REC S-0913
0120110155	GNC F E ESP-230 48X24X4,75REC S-0913
0120110146	GNC F E ESP-230 48X24X6,0 REC S-0913
0120110149	GNC F E ESP-230 56X24X4,75REC S-0913
0120110148	GNC F E ESP-230 56X24X6,0 MT S-0913
0120110144	GNC F E ESP-230 56X24X6,0 REC S-0913
0120110139	GNC F E ESP-230 60X24X4,75 DR S-0712
0120110143	GNC F E ESP-230 60X24X6,0 REC S-0712
0120110142	GNC F E ESP-230 60X24X6,00 MT S-0712

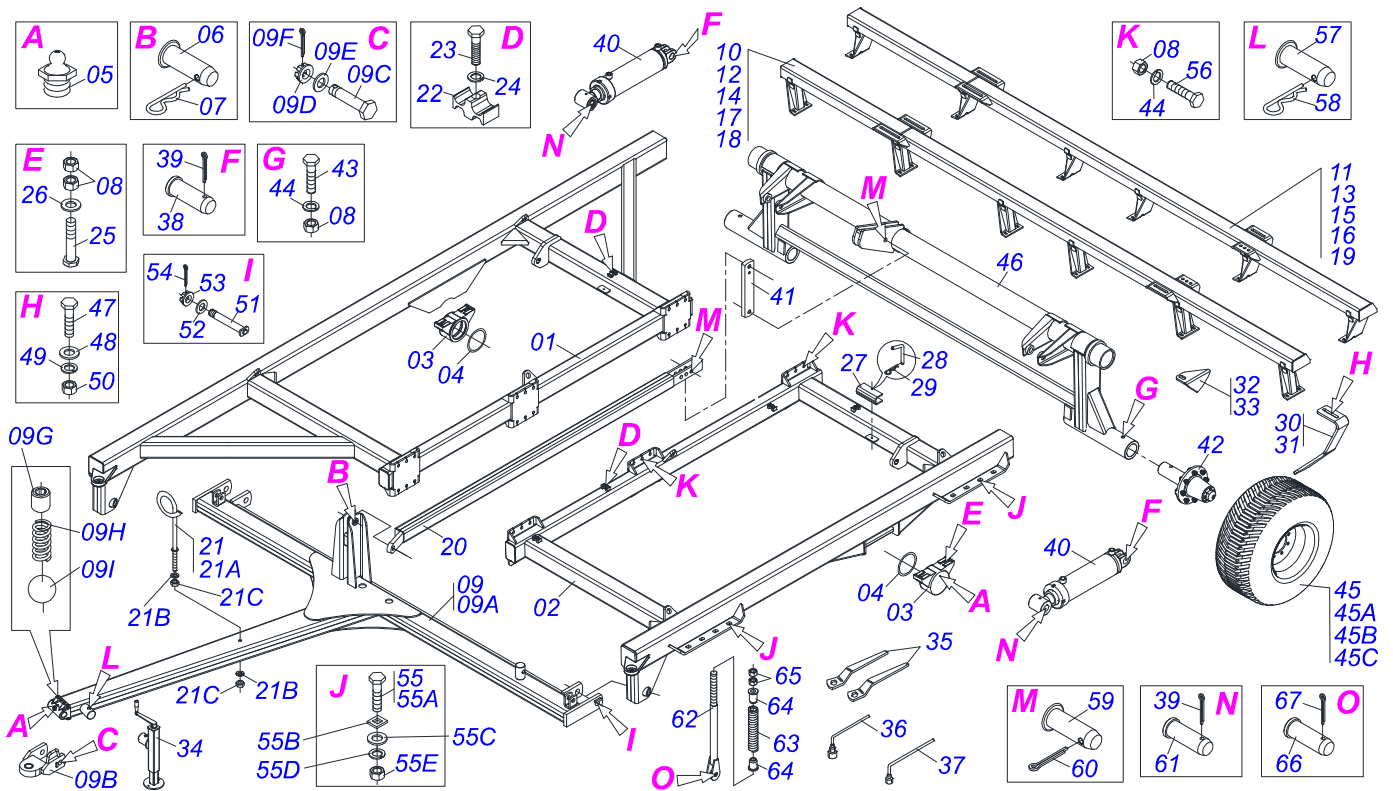
## ATTENTION: IMPORTANT

CIVEMASA reserves the right to improve and/or modify the technical features of its products, without obligation to do the same with those products already sold and without prior knowledge of the dealer or the consumer. The photos are only illustrative.



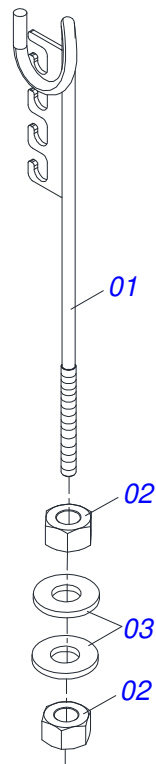
# INDEX

0909091674	FRAME ASSY - 44/48/56/60D	.....	1
0501040257	3/4 X 1200 HOSE HOLDER A	.....	2
0511044811	HYDRAULIC CYLINDER 50,8 X 101,6 X 563X251 (REPLACEMENT)	.....	3
0503060102	WHEEL AND TIRE	.....	4
0511048088	DRAWBAR JACK	.....	5
0909091646	WHEELS ASSY	.....	6
0909091647	GANG DISC FRONT	.....	7
0909091648	GANG DISC REAR	.....	8
0511048603	DM-C/P D. BEARING ASSY	.....	9
0511048604	DM-C/P D. BEARING ASSY	.....	10
0909091649	HIDRAULIC CIRCUIT ASSY - 28/32/36/40D	.....	11
0501053834	MALE QUICK COUPLER	.....	12
0521042030	WHEEL WITHOUT TIRE S-0514	.....	13

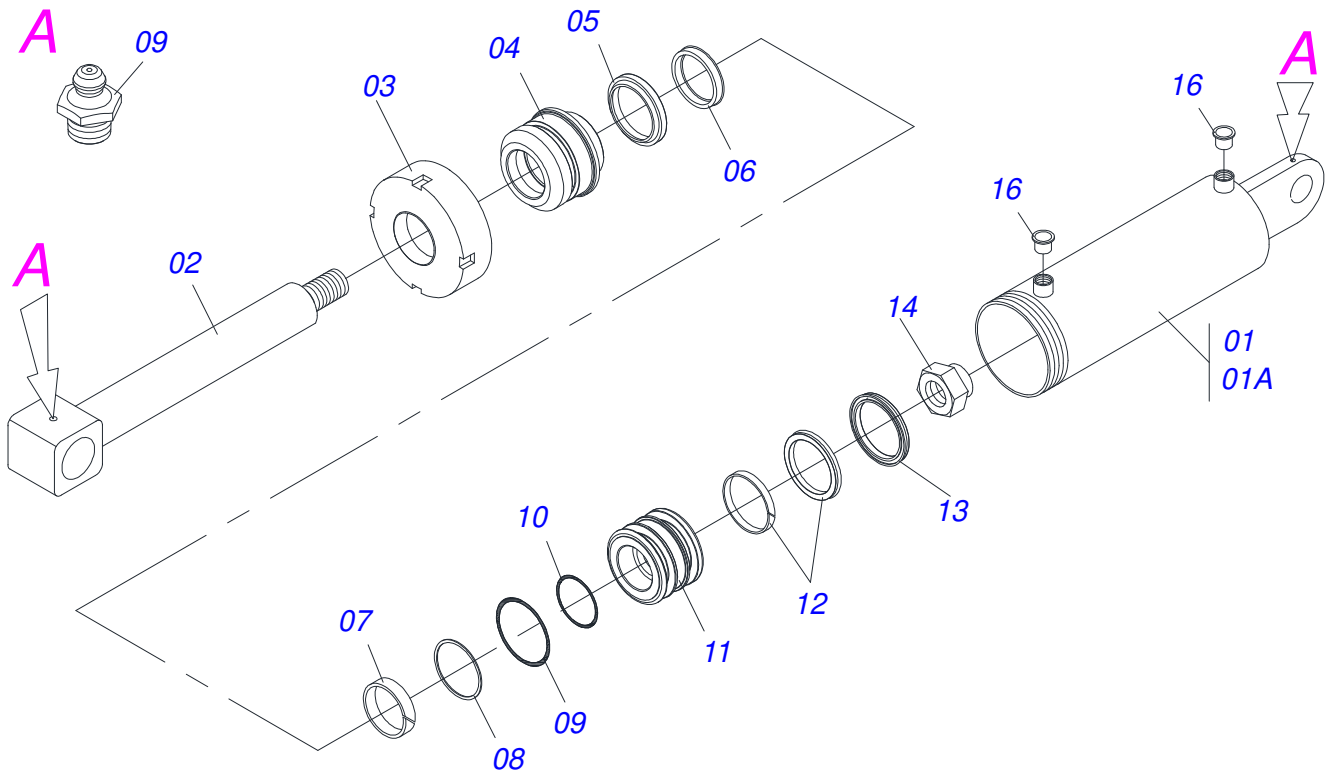


Item	Code	Description	See page	44	48	52	56	60
01	0521063198	FRAME RIGHT		01	01	01	01	01
02	0521063199	LEFT FRAME		01	01	01	01	01
03	0502011587	BEARING AXLE		02	02	02	02	02
04	0503012260	FELT RING		02	02	02	02	02
05	0503010002	1800 GREASE FITTING		03	03	03	03	03
06	0511011887	COUPLING SHAFT		01	01	01	01	01
07	0503031035	HITCH PIN CLIP		01	01	01	01	01
08	0503012183	SNC 3/4" ZIN 1K03097 NUT		28	28	28	28	28
09	0511055797	DRAWBAR ASSY		01	01	01	01	01
09A	0521063159	DRAWBAR		01	01	01	01	01
09B	0511070237	TRACTOR HITCH		01	01	01	01	01
09C	0501016415	1-1/2" X 9.6" BOLT		01	01	01	01	01
09D	0501011301	1.1/2 UNC 6FPP 2.5/16 NUT		01	01	01	01	01
09E	0501010237	FLAT WASHER		01	01	01	01	01
09F	0503010010	1/4" X 2.1/2" COTTERPIN		01	01	01	01	01
09G	0503013333	BOLT		02	02	02	02	02
09H	0503033994	COMPRESSION SPRING		02	02	02	02	02
09I	0503012389	1/2 BALL		02	02	02	02	02
10	0521064306	FRONT FRAME		01	00	00	00	00
11	0521064305	REAR FRAME		01	00	00	00	00
12	0521064304	FRONT FRAME		00	01	00	00	00
13	0521064303	REAR FRAME		00	01	00	00	00
14	0521064302	FRONT FRAME		00	00	01	00	00
15	0521064301	REAR FRAME		00	00	01	00	00
16	0521064299	REAR FRAME		00	00	00	01	00
17	0521064300	FRONT FRAME		00	00	00	01	00
18	0521063157	FRONT FRAME		00	00	00	00	01
19	0521063158	REAR FRAME		00	00	00	00	01
20	0521063202	ESTABILIZER BAR		01	01	01	01	01
21	0501040257	3/4 X 1200 HOSE HOLDER A	2	01	01	01	01	01
21A	0511067334	HOSE SOPPORT ASSY		01	01	01	01	01

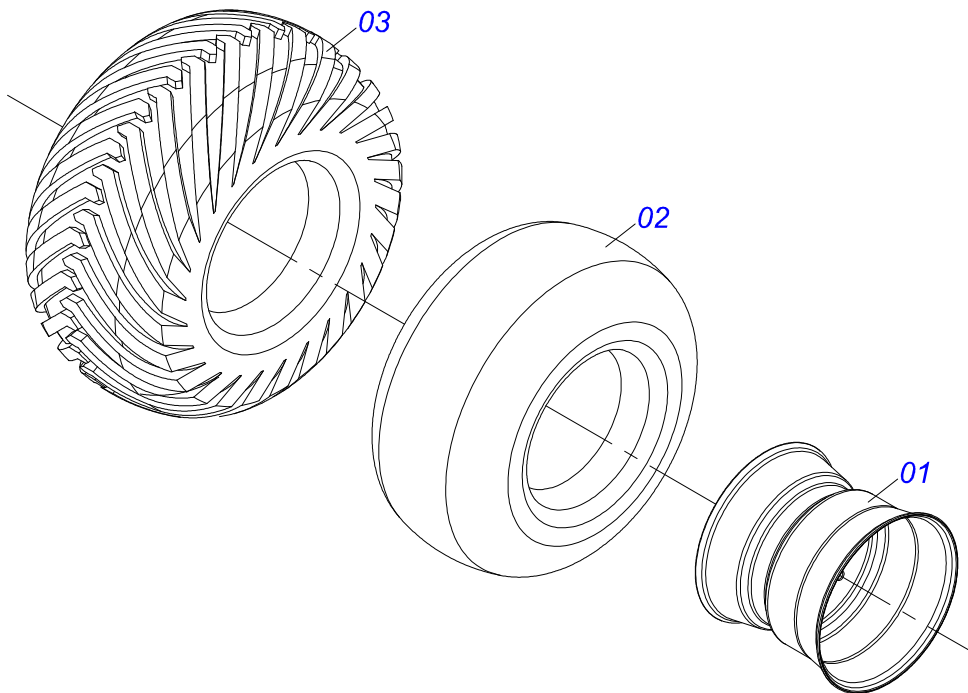
Item	Code	Description	See page	44	48	52	56	60
21B	0501010322	FLAT WASHER		02	02	02	02	02
21C	0503010014	3/4" NUT		02	02	02	02	02
22	0502012702	BODY SUPPORT CLAMP		05	05	05	05	05
23	0503012555	SCREW 7/16 UNC X 2 CS RT G.7 ZN		05	05	05	05	05
24	0503010180	7/16" SPRING WASHER		05	05	05	05	05
25	0503010797	3/4" X 4" BOLT		04	04	04	04	04
26	0521013710	WASHER SEMIMAN		04	04	04	04	04
27	0551010280	253 TRANSPORT LOCK		02	02	02	02	02
28	0541016844	FIXER LOCK		02	02	02	02	02
29	0503030285	HITCH PIN CLIP		02	02	02	02	02
30	0521064664	CLEANER		15	17	19	21	23
31	0521064671	CLEANER		15	17	19	21	23
32	0571015395	CLEANER BEARING		06	06	06	06	06
33	0571015396	CLEANER BEARING		06	06	06	06	06
34	0511048088	DRAWBAR JACK	5	01	01	01	01	01
35	0501011431	1-3/4" GANG BOLT WRENCH		02	02	02	02	02
36	0501061617	1" GANG BOLT WRENCH		01	01	01	01	01
37	0503016140	3/4" WRENCH CABLE CYLINDRICAL		01	01	01	01	01
38	0521012538	1.2" X 3.5" COUPLING SHAFT		02	02	02	02	02
39	0503010523	1/4" X 2" COTTERPIN		04	04	04	04	04
40	0511044811	HYDRAULIC CYLINDER 50,8 X 101,6 X 563X251 (REPLACEMENT)	3	02	02	02	02	02
41	0511010887	STABILIZER BAR TOWER		01	01	01	01	01
42	0521042030	WHEEL WITHOUT TIRE S-0514	13	02	02	02	02	02
43	0503011198	C3/4" X 6" SCREW		02	02	02	02	02
44	0503010023	3/4" SPRING WASHER		20	20	20	20	20
45	0503060102	WHEEL AND TIRE	4	02	02	02	02	02
45A	0501069483	WHEEL		02	02	02	02	02
45B	0503012112	400/60 - 15.5 TR 15 INNER TIRE		02	02	02	02	02
45C	0503013119	CANVAS TIRE		02	02	02	02	02
46	0521063203	WHEEL GNCF E 230		01	01	01	01	01
47	0503011239	1/2" X 2" BOLT		60	68	76	84	92
48	0511017302	FLAT WASHER		60	68	76	84	92
49	0503010019	1/2" SPRING WASHER		60	68	76	84	92
50	0503010060	1/2" NUT		60	68	76	84	92
51	0521062959	38,1 X 265 AXLE		02	02	02	02	02
52	0501012916	FLAT WASHER 38,50 X 66 X 4,75 ZN		02	02	02	02	02
53	0501011301	1.1/2 UNC 6FPP 2.5/16 NUT		02	02	02	02	02
54	0503010010	1/4" X 2.1/2" COTTERPIN		02	02	02	02	02
55	0511053783	1" X 3-1/2 BOLT FOR SET		08	08	08	08	08
55A	0503016783	1" X 3-1/2" BOLT		08	08	08	08	08
55B	0571014335	1" SQUARE WASHER		08	08	08	08	08
55C	0501014509	FLAT WASHER		08	08	08	08	08
55D	0503011438	SPRING WASHER		08	08	08	08	08
55E	0501010059	1.5/8 NUT		08	08	08	08	08
56	0501010098	3/4" UNC BOLT		18	18	18	18	18
57	0561014251	COUPLING SHAFT		01	01	01	01	01
58	0503030012	HITCH PIN CLIP		01	01	01	01	01
59	0521010576	0.9" X 3.7" COUPLING SHAFT		02	02	02	02	02
60	0503012232	1/8" X 2" COTTERPIN		02	02	02	02	02
61	0521010547	1.2" X 6.5" COUPLING SHAFT		02	02	02	02	02
62	0501064699	SPRING ROD		02	02	02	02	02
63	0503031341	2.7 X 8 X 0.5 COMPRESSION SPRING		02	02	02	02	02
64	0502020394	SPRING SUPPORT		04	04	04	04	04
65	0501010087	1.1/4" NUT		04	04	04	04	04
66	0521010592	1.1" X 3.1" COUPLING SHAFT		02	02	02	02	02
67	0503010571	1/4" X 1.1/2 COTTERPIN		02	02	02	02	02



Item	Code	Description	See page	QT
01	0511067334	HOSE SOPPORT ASSY		01
02	0503010014	3/4" NUT		02
03	0501010322	FLAT WASHER		02

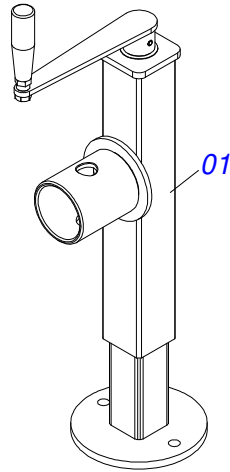


Item	Code	Description	See page	QT
00	0511044811	HYDRAULIC CYLINDER 50,8 X 101,6 X 563X251 (REPLACEMENT)	3	01
01	0511066220	101,60 X 369 CYLINDER CASE		01
02	0511067445	50,8 X 452,5 TURNBUCLE		01
03	0502010017	4" HEAD		01
04	0502010778	2" X 4.2" RING SUPPORT		01
05	0503010039	D-2000 SCRAPER RING		01
06	0503010991	1870-2000-375-B GASKET		01
07	0503010952	W2-2250-500 RING		01
08	0503011061	8-342 BACK-UP RING		01
09	0503010338	2-342 N 3006-9B O'RING		01
10	0503010345	2-218 N 3006-9B O'RING		01
11	0502010992	2.0" X 4.0" PISTON		01
12	0503010043	PACKING 3750-3250		02
13	0503010994	W2-4000-500 PK RING G.E		01
14	0503010817	1.1/4" SELF LOCKING NUT		01
15	0503030384	CON PLUG N-001		02
16	0503010002	1800 GREASE FITTING		01

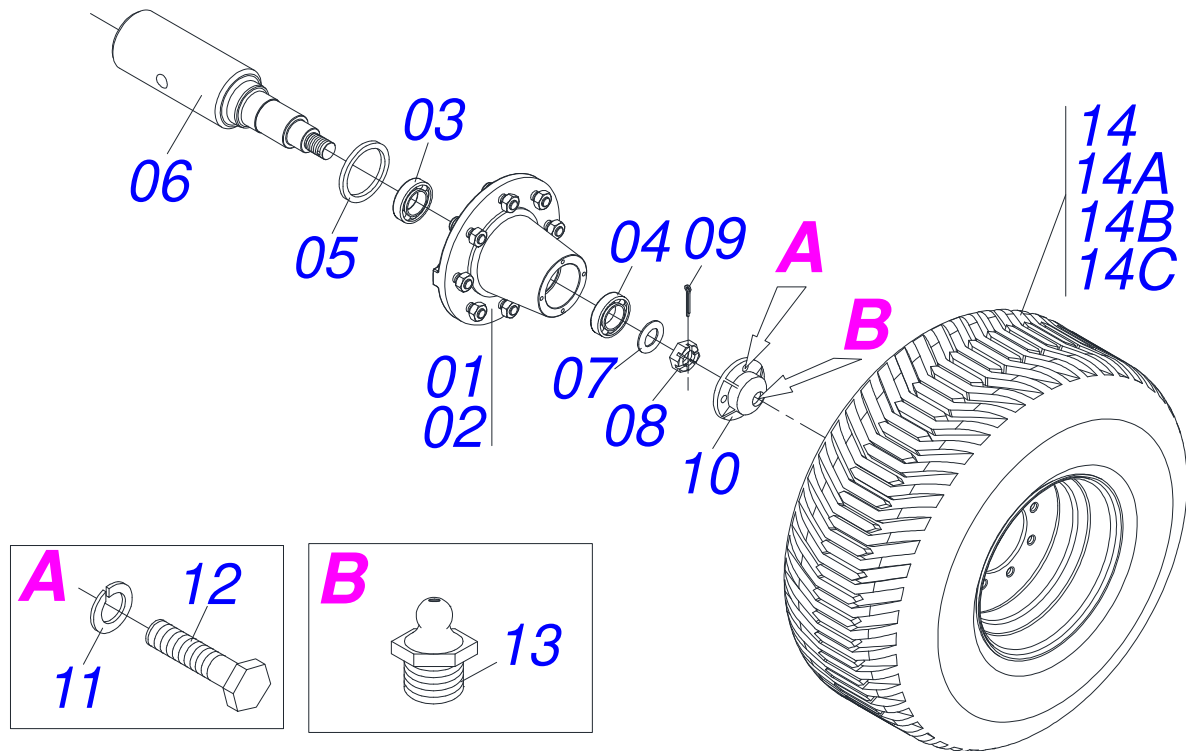


Item	Code	Description	See page	QT
01	0501069483	WHEEL		01
02	0503012112	400/60 - 15.5 TR 15 INNER TIRE		01
03	0503013119	CANVAS TIRE		01





Item	Code	Description	See page	QT
01	0503062227	DRAWBAR JACK		01



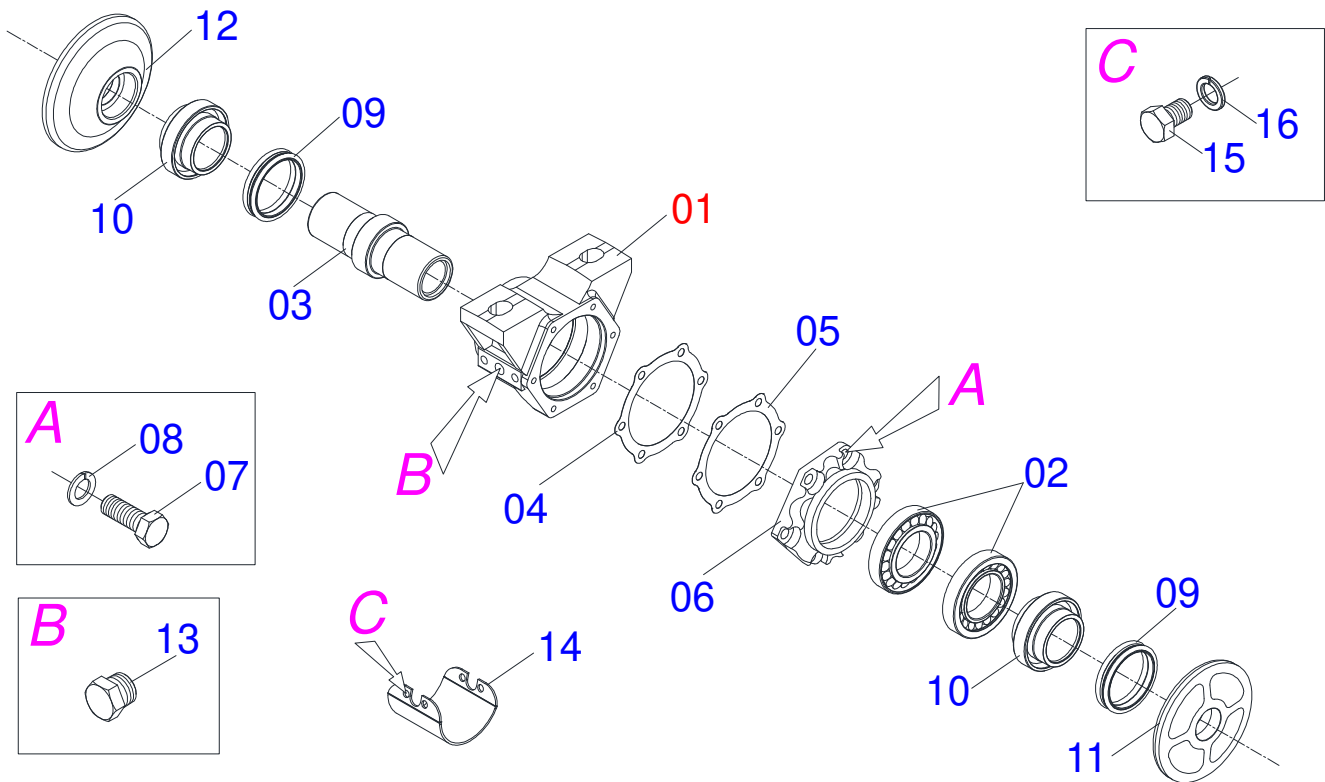
Item	Code	Description	See page	QT
00	0909091646	WHEELS ASSY	6	02
01	0501056467	STUB SHAFT & HUB ASSY		02
02	0501110738	CARRYING WHEEL HUB		02
03	0503015290	3780/3720 ROLLER BEARING		02
04	0503014821	ROLLER BEARING		02
05	0503013314	RETAINER 5166-GB 63,5 X 110 X 13 ARCA		02
06	0541016566	POINT AXIS 3.1/2 X 375		02
07	0511012492	FLAT WASHER		02
08	0503030009	1" CASTLE NUT		02
09	0503010018	5/32 X 1-1/2 COTTERPIN		02
10	0502020591	PROTECCION COVER		02
11	0503011444	SPRING WASHER		04
12	0503010358	5/16" X 5/8" BOLT		04
13	0503010002	1800 GREASE FITTING		02
14	0503060102	WHEEL AND TIRE	4	02
14A	0501069483	WHEEL		02
14B	0503012112	400/60 - 15.5 TR 15 INNER TIRE		02
14C	0503013119	CANVAS TIRE		02



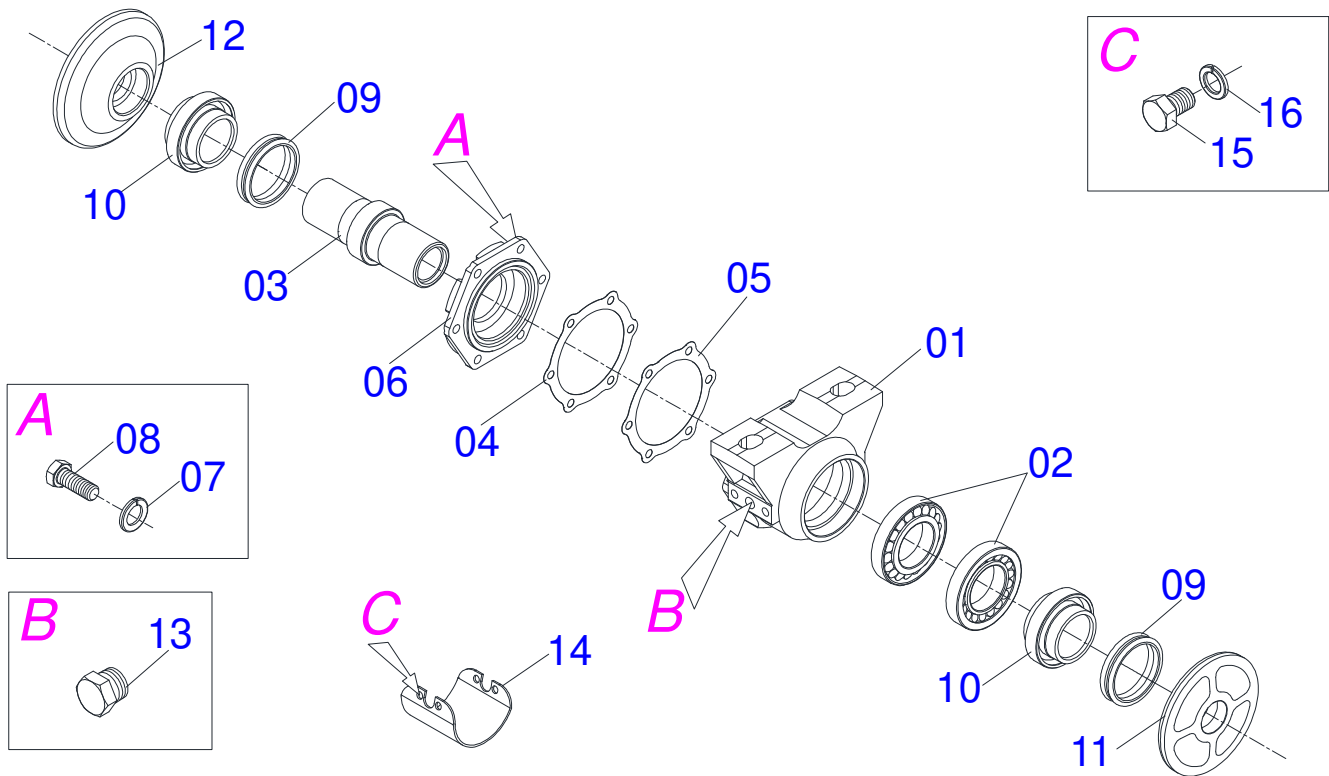






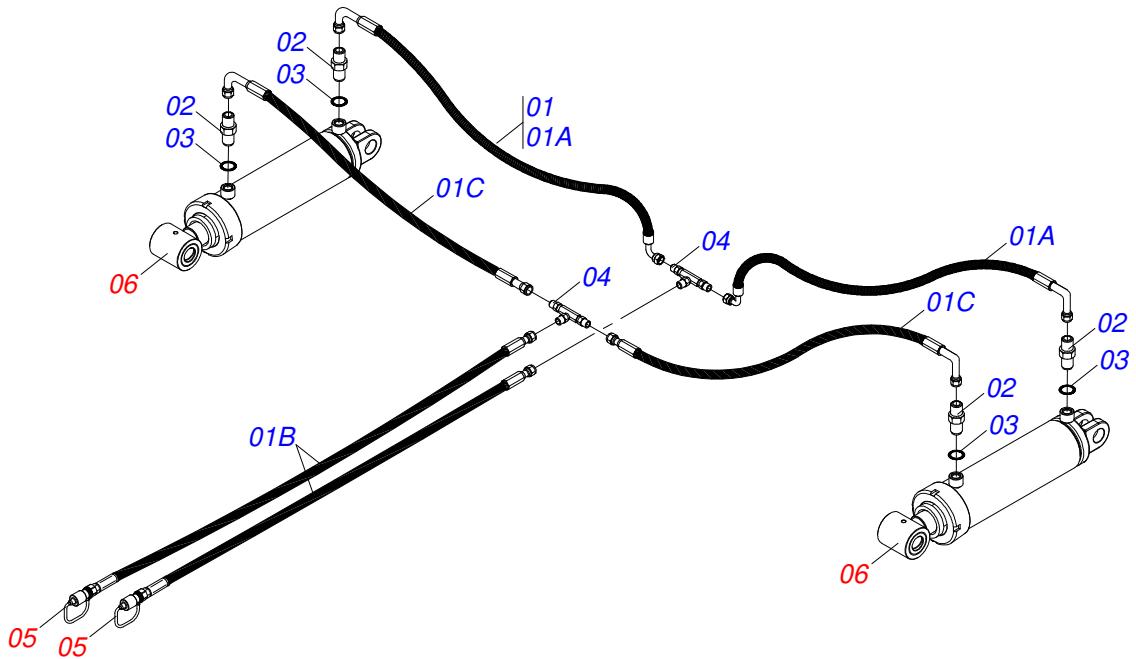


Item	Code	Description	See page	QT
00	0511048603	DM-C/P D. BEARING ASSY	9	01
01	0561016568	HOUSING BEARING		01
02	0503010113	30212 ROLLER BEARING		02
03	0502010639	AXLE FOR CM/DM		01
04	0503031972	137 X 113,2 X 0,3 JOINT		03
05	0503031973	137 X 113,2 X 0,1 JOINT		02
06	0502012445	BEARING COVER BOX (BOX SLIGHTLY)		01
07	0503010237	3/8" X 1" BOLT		06
08	0503011443	3/8" SPRING WASHER		06
09	0503030027	DUO-CONE SEAL		02
10	0502010633	SEAL RETAINER		02
11	0502040239	OUTER FLANGE		01
12	0502040240	INNER FLANGE		01
13	0503010856	OIL PLUG		01
14	0521012933	BEARING WEAR PLATE		01
15	0503011401	1/2" X 3/4" BOLT		04
16	0503010019	1/2" SPRING WASHER		04

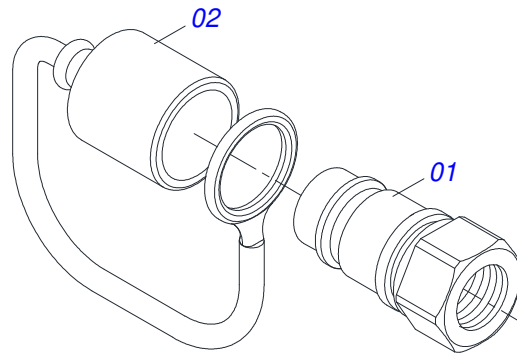


Item	Code	Description	See page	QT
01	0561016569	HOUSING BEARING		01
02	0503010113	30212 ROLLER BEARING		02
03	0502010639	AXLE FOR CM/DM		01
04	0503031972	137 X 113,2 X 0,3 JOINT		03
05	0503031973	137 X 113,2 X 0,1 JOINT		02
06	0502012445	BEARING COVER BOX (BOX SLIGHTLY)		01
07	0503010237	3/8" X 1" BOLT		06
08	0503011443	3/8" SPRING WASHER		06
09	0503030027	DUO-CONE SEAL		02
10	0502010633	SEAL RETAINER		02
11	0502040239	OUTER FLANGE		01
12	0502040240	INNER FLANGE		01
13	0503010856	OIL PLUG		01
14	0521012933	BEARING WEAR PLATE		01
15	0503011401	1/2" X 3/4" BOLT		04
16	0503010019	1/2" SPRING WASHER		04

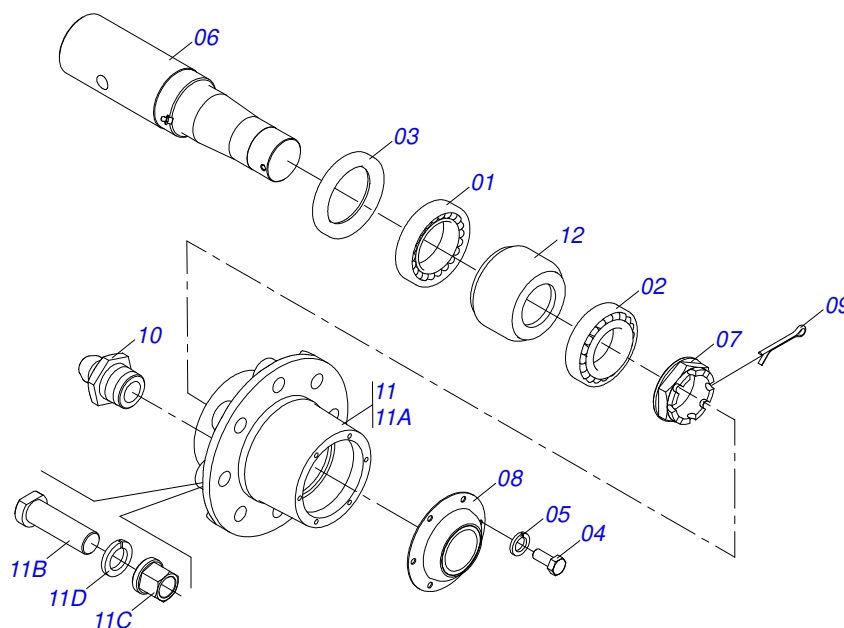




Item	Code	Description	See page	28	32	36	40
01	0511057697	HOSE ASSY GNCF		01	01	01	01
01A	0501080514	3/8 X 1700 TC-TC HOSE		02	02	02	02
01B	0501080349	3/8" X 7500 TR-TM HOSE		02	02	02	02
01C	0501080025	3/8 X 1400 TR-TC HOSE		02	02	02	02
02	0501010617	3/4" NIPPLE		04	04	04	04
03	0503010190	2-114 N 3006-9B O'RING		04	04	04	04
04	0503011271	3/4" UNF "T" CONNECTION T 3 SIDES		02	02	02	02
05	0501053834	MALE QUICK COUPLER	12	02	02	02	02
06	0511058405	HYDRAULIC CYLINDER 50,80 X 101,60 X 561 X 252		02	02	02	02



Item	Code	Description	See page	QT
01	0503011627	MALE QUICK COUPLER AGR 1/2 NPT		01
02	0503011882	MALE QUICK COUPLER CAP		01



Item	Code	Description	See page	QT
01	0503010059	33287/33462 ROLLER BEARING		01
02	0503010007	3982/3920 ROLLER BEARING		01
03	0503010050	SEAL 00085-B		01
04	0503010240	BOLT		06
05	0503011444	SPRING WASHER		06
06	0571013653	POINT AXIS 88,80 X 430		01
07	0502040080	FLANGE NUT R.2.1/2 UN		01
08	0541013225	WHEEL BOX COVER		01
09	0503012231	1/4" X 3" COTTERPIN		01
10	0503010002	1800 GREASE FITTING		01
11	0501110751	HUB AND SPINDLE WITH BOLT		01
11A	0502040522	HUB CARRYING-WHEELS		01
11B	0503011339	M22 X 1,5 X 72 BOLT		08
11C	0503011341	M22 X 0.6" NUT GR8		08
11D	0503011340	SPHERICAL SPRING WASHER		08
12	1882970002	GREASE SOAP		01



**ANNOTATION**

---

---

---

---

---

---

---

---

---

---

---

---

---

---

---

---

---

---

---

---

---

---

---

---

---

---

---

---

---

---





***civemasa***

***Technical Publications | Elaboration and Revision***

ALESSANDRA PATRICIA KAWAHARA CARRILI

[www.civemasa.com.br](http://www.civemasa.com.br)

